



Improve your work safety environment

T-SLOT CLEAN



BIG DAISHOWA SEIKI CO LTD

CATALOG No. **EXi204-2**

**Improve efficiency of table cleaning.
Save the time required to clean
T-slots packed with chips.**

T-slots packed with
difficult to remove chips!

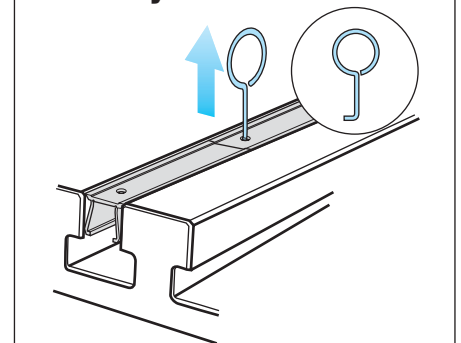


T-slots protected and
clear by T-Slot Clean.



- Quick removal of chips from a machine
- Faster table cleaning → A reduction of set-up time
- Volume control of heated chips → Better machining precision
- 4 sizes of T-slot widths (.688 in/14mm/18mm/22mm) are available to fit your machine table.

Removal pin (provided)
for easy removal.



BIG KAISER®

T-SLOT CLEAN PAT.P



T-Slot Clean keeps T-slots free from chips.

Standard Set

Type	Model	Width of Slot W	Contents of Set
Inch	TS.688-S	.688 in	16 in X 4 pcs.
			4 in X 4 pcs.
Metric	TS14-S	14mm	400mm X 4 pcs. 100mm X 4 pcs.
	TS18-S	18mm	
	TS22-S	22mm	

1. If necessary, cut to the length that you need.
2. Removal pin is included.

Cost Saving Set

Type	Model	Width of Slot W	Contents of Set
Inch	TS.688-10S	.688 in	TS.688-S X 10 sets
			TS14-S X 10 sets
Metric	TS14-10S	14mm	TS18-S X 10 sets TS22-S X 10 sets
	TS18-10S	18mm	
	TS22-10S	22mm	

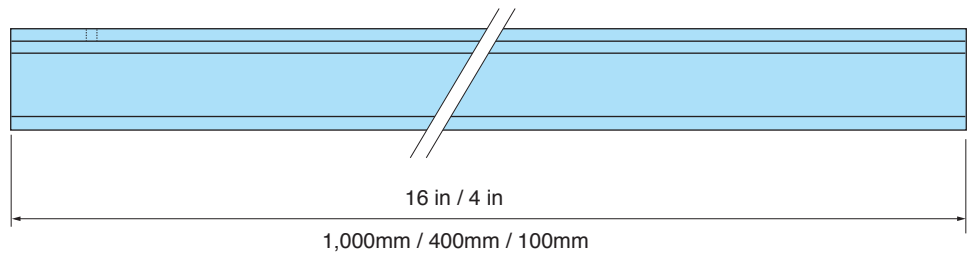
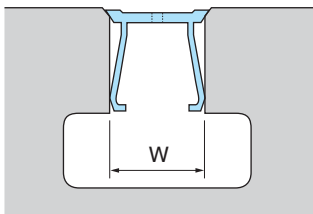
1. Contains 10 Standard Sets for cost savings.

Long Set

Type	Model	Width of Slot W	Contents of Set
Inch	TS.688-16L-100P	.688 in	16 in X 100 pcs.
Metric	TS18-400L-100P	18mm	400mm X 100 pcs.
	TS22-400L-100P	22mm	

Extra Long Set

Type	Model	Width of Slot W	Contents of Set
Metric	TS18-1000L-10P	18mm	1,000mm X 10 pcs.
	TS22-1000L-10P	22mm	



BIG KAISER®

PRECISION TOOLING INC.

641 Fargo Ave., Elk Grove Village, IL 60007

We are moving to a larger facility. Please use address below as of 11/09.

2600 Huntington Blvd., Hoffman Estates, IL 60192

Tel: 847.228.7660 • Fax: 847.228.0881

web: www.bigkaiser.com • e-mail: bigkaiser@bigkaiser.com

CATALOG No. EXI204-2-0609-1