

## Reduce Machining Time with Penta HF

The latest positive feed cutter from Dormer Pramet applies a universal concept which allows it to be applied with multiple materials across various applications. The Pramet Penta HF is the most aggressive high feed cutter on the market.

The insert/grade offer with the Penta HF includes inserts optimized for stainless steel, hardened steel and titanium.

The Penta HF is a suitable option for lower horsepower applications with the versatility of faster feeds and multi-material application.

### Features & Benefits

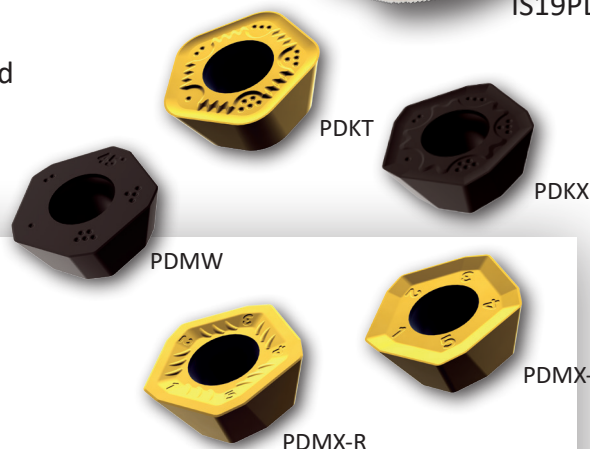
- Internal coolant on body for deep cavity milling/helical applications
- 19° and positive axial inclination requiring less horsepower
- Extensive insert/grade program for most materials/applications
- Economical five (5) cutting edge inserts
- Special surface finish for increased corrosion resistance, reduced wear and lower friction resistance
- Polished inserts for high feed and differential pitch



ISPD09



IS19PD09

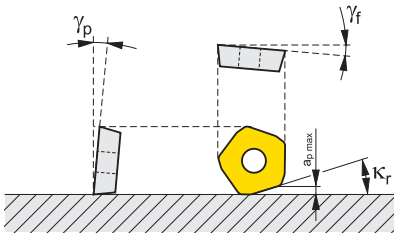


### Penta HF Promo

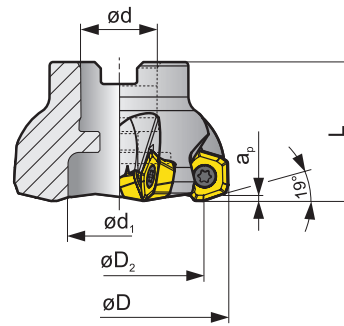
Body	EDP	Price
200A04R-IS19PD09-C	6792982	
300A05R-IS19PD09-C	6792983	
400A06R-IS19PD09-C	6792984	
Insert	EDP	Price
PDMW 090530SR:M9325	6756075	

# Penta HF

## High Feed Milling Cutters

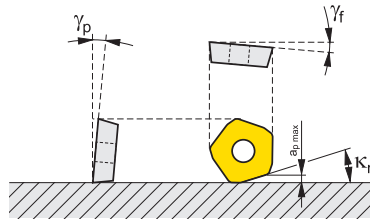


$\gamma_p$	10°	$\kappa_r$	19°
$\gamma_f$	-1° - -24°	$a_{p,max}$	.079 in

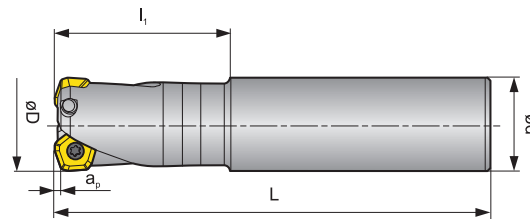


Coolant thru

Designation	Availability	Dimensions								lbs
		D	D <sub>2</sub>	d	d <sub>1</sub>	L	b	t	No of teeth	
200A04R-IS19PD09-C	Standard	2.000	1.433	.750	.630	1.575	.321	.193	4	.50
250A05R-IS19PD09-C	Standard	2.500	1.931	.750	.630	1.575	.321	.193	5	.68
300A05R-IS19PD09-C	Standard	3.000	2.432	1.000	8.27	1.969	.382	.224	5	1.83
400A06R-IS19PD09-C	Standard	4.000	3.431	1.500	1.417	1.969	.630	.382	6	3.09
400A08R-IS19PD09-C	Standard	4.000	3.431	1.500	1.417	1.969	.630	.382	8	3.04



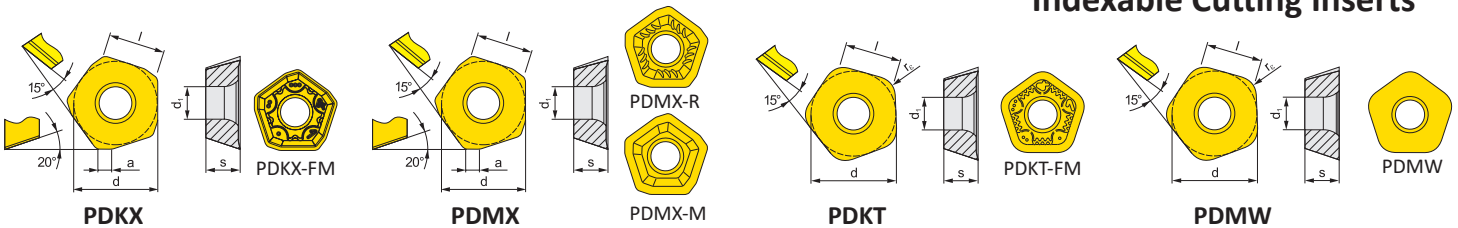
$\gamma_p$	10°	$\kappa_r$	19°
$\gamma_f$	-10° - -24°	$a_{p,max}$	.079 in



Coolant thru

Designation	Availability	Dimensions					lbs
		D	d	L	L <sub>1</sub>	No of teeth	
125E2R236C125-ISPD09-C	Standard	1.250	1.250	9.843	2.362	2	3.13
150E3R236C125-ISPD09-C	Standard	1.500	1.250	9.843	2.362	3	3.31

## Indexable Cutting Inserts



Designation	Grades				Dimensions					
					l	d	s	d <sub>1</sub>	a	r <sub>E</sub>
PDKX 0905ZEER-FM	M9340	M8345			9.000	13.500	5.47	5.50	2.0	—
PDMX 0905ZEER-M	M9340	M8345	8215	8230	9.000	13.500	5.47	5.50	2.0	—
PDMX 0905ZESR-R	M8345		8215	8230	9.000	13.500	5.47	5.50	2.0	—
PDKT 090530ER-FM	M8310	M8345	8215	8230	9.000	13.500	5.47	5.50	—	3
PDMW 090530SR	M9315	M9325	M8310	M8345	9.000	13.500	5.47	5.50	—	3