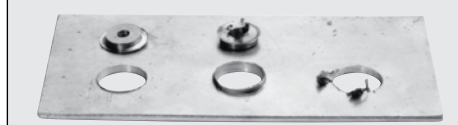


ROTACUT™ SHEET METAL HOLE CUTTERS



Cutter Dia. (Inches)	Decimal Equiv.	Part No.
3/8"-24 Thread Mount & 1/4" D.O.C.		
Use with Arbor 11088 or 11006		
1/4	.2500	11100
9/32	.2812	11102
5/16	.3125	11104
11/32	.3438	11106
Use with Arbor 11088, 11089, or 11006		
3/8	.3750	11108
13/32	.4062	11110
27/64	.4219	11111
7/16	.4375	11112
15/32	.4688	11114
1/2	.5000	11116
17/32	.5312	11118
9/16	.5625	11120
5/8	.6250	11124
11/16	.6875	11128
23/32	.7188	11130
3/4	.7500	11132
1/2"-20 Thread Mount & 1/2" D.O.C.		
Use with Arbor 11005 or 11012		
13/16	.8125	11136
7/8	.8750	11140
15/16	.9375	11144
1	1.0000	11148
1-1/16	1.0625	11152
1-1/8	1.1250	11156
1-3/16	1.1875	11160
1-1/4	1.2500	11164
1-5/16	1.3125	11165
1-3/8	1.3750	11166
1-7/16	1.4375	11167
1-1/2	1.5000	11168

Compare the Quality



RotaCut™ • Hole Saw • Twist Drill

Holemaking – faster and easier than with conventional twist drills and hole saws – in sheet metal, plate materials, and plastics up to 1/2" thick. RotaCut™ Cutters are precision-ground and produce clean, burr-free, round holes without deforming the surrounding material. For use in hand held drills with either 3/8" or 1/2" diameter chucks, or air feed drill spindles for production work.

Ideal for these applications:

- Electrical
- Piping
- Conduit Work
- Sheet metal Fabrication
- Maintenance Installations
- HVAC & PHCC
- Automotive Aftermarket and many other industries.



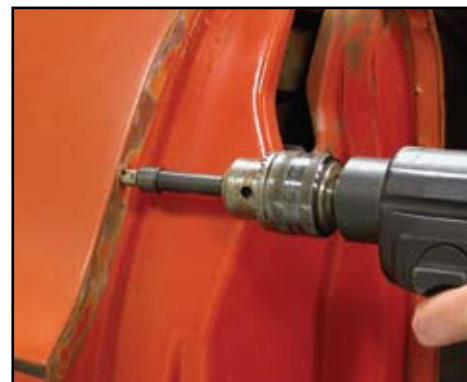
ROTACUT™ KITS

Part No.	Description
11075C	Kit contains an 11088 Arbor Assembly, Center Punch, extra Pilot, and (7) Cutters: 5/16, 3/8, 7/16, 1/2, 9/16, 5/8, & 3/4"
11075-12	Contains (12) 11075 Kits in a pop up display box
11077	Kit contains an 11088 Arbor Assembly, Center Punch, extra Pilot, and (7) Metric Cutters: 8, 10, 12, 14, 16, 18, & 20mm
11078	Kit contains an 11005 Arbor Assembly, Center Punch, extra Pilot, and (6) Cutters: 7/8, 1, 1-1/8, 1-1/4, 1-3/8, & 1-1/2"

Special sizes of RotaCut™ Cutters are available on request. Contact the Hougou Customer Service Department for more information
800-426-7818

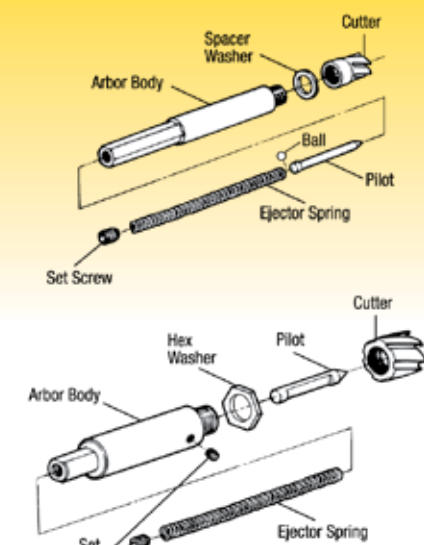
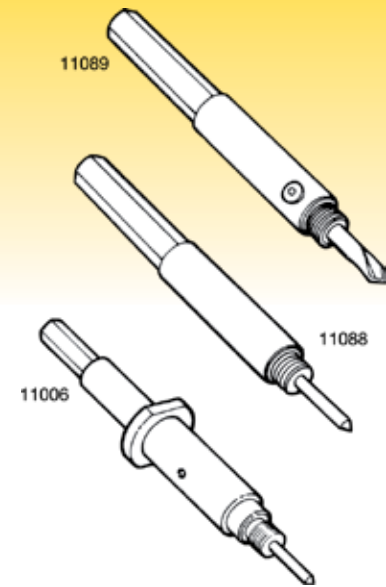
ROTACUT™ SPOTWELD CUTTER

Remove spotwelds in auto body and restoration work quickly with the RotaCut™ Premium Spotweld Cutter. Heavy cutter wall and fast cutting action that can last for hundreds or thousands of spotwelds.



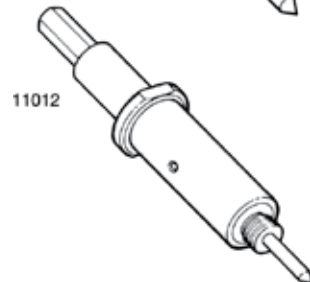
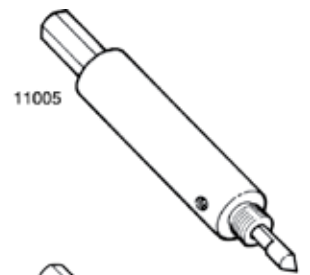
Part No.	Description
11200C	Package includes 3/8" RotaCut p/n 11108, Arbor p/n 11088, and instructions.

ROTACUT™ ARBOR COMPONENTS & EXTENDED REACH CUTTERS



ARBORS FOR 3/8" CHUCKS

Part No.	Description
With 3/8"-24 Mounting Thread	
11088	Arbor with Pilot Pin
11089	Arbor with Pilot Drill (For use with 3/8" thru 3/4" dia.)
11006	Arbor with Pilot Pin for use in 5/8" Drill Bushing



ARBORS FOR 1/2" CHUCKS

Part No.	Description
With 1/2"-20 Mounting Thread	
11005	Arbor with Pilot Pin
11012	Arbor with Pilot Pin (For use with 13/16" thru 1-1/2" dia.)



Slick-Stik™ is softer than other stick lubricants for easy application, superior adhesion to the tool, assuring thorough coverage. Use with ferrous or non-ferrous materials.

SLICK-STIK™ LUBRICANT

Part No.	Description
11745-6	(6) 16 oz. Slick-Stik Lubricant
11746-12	(12) 1.68 oz. Slick-Stik Lubricant
11746-24	(24) 1.68 oz. Slick-Stik Lubricant in display box



EXTENDED REACH CUTTERS

Cutter Dia. (Inches)	Decimal Equiv.	Part No.
Triple Flat Arbor with .80" flute & 1/4" D.O.C.		
3/8	.3750	16112
7/16	.4375	16114
1/2	.5000	16116
9/16	.5625	16118

REPLACEMENT ARBOR PARTS

Part	Arbor 11088	11089	11074	11035	11038
Arbor Body	90224	90225	11074	11035	11038
Pilot	11083*	03913C	11027	11083*	11084
Ejector Spring	11034	11049	11047	11045	11048
Set Screw	11050	11051	11052	11050	11052
Hex Washer	----	----	03996	----	03996
Spacer Washer	11056	11056	----	11056	----
Stop Washer	11055	11055	----	----	----
Button Screw	----	11053	----	----	----
Stop Rod	----	11064	----	----	----
Ejector Collar	----	----	----	11059	11061
Roll Pin	----	----	----	11062	11063
Plunger	----	----	----	11058	----
Misc.	11260 Ball	----	11050 Screw	----	----

EXTENDED REACH KIT

Part No.	Description
16005	Kit contains (4) Cutters: 3/8, 7/16, 1/2, & 9/16", (2) extra Pilots, and a Hex Wrench

CARBIDE HOLCUTTER™ FOR SHEET METAL AND THIN MATERIALS



Contractor's Choice

New Carbide Holcutters cut smooth, fast, burr-free holes in all types of materials, from soft aluminum to tough-to-cut stainless and cast iron. Rugged construction for day in and day out use.

NEW! Features a shoulder stop to prevent over penetration of the work piece. Ejector Spring helps with slug ejection. Tungsten carbide provides long tool life and smooth cutting action. Dramatically outlasts bi-metal hole saws and step drills. For materials up to 1/8" thick. (All cutters include arbor, pilot and spring.)

Cutter Dia. (Inches)	Decimal Equiv.	Part No.
Replacement Pilot 14301 & Spring 14303 (3/8" Chuck)		
11/16	.6875	14322
3/4	.7500	14324
13/16	.8125	14326
7/8	.8750	14328
15/16	.9375	14330
1	1.0000	14332
1-1/16	1.0625	14334
1-1/8	1.1250	14336
1-3/16	1.1875	14338
1-1/4	1.2500	14340
1-5/16	1.3125	14342

HOLCUTTER™ FOR SHEET METAL AND THIN MATERIALS

Our standard HSS Holcutters. Lasts 3x longer and cuts 10x faster than hole saws or twist drills. All cutters use a single arbor, with a patented quad-lead thread mounting system. For materials up to 1/8" thick.

Cutter Dia. (Inches)	Decimal Equiv.	Part No.
Quad-Lead thread mount - Use Arbor 14009		
11/16	.6875	14222
3/4	.7500	14224
13/16	.8125	14226
7/8	.8750	14228
15/16	.9375	14230
1	1.0000	14232
1-1/16	1.0625	14234
1-1/8	1.1250	14236

ARBOR & PILOT

Part No.	Description
13007C	Pilot for 14009 Arbor (3 Pk)
14009	Arbor (3/8" Chuck) for Quad-Lead Threaded Cutters
Arbors for Discontinued Holcutters	
14001	Arbor for 3/8" Threaded Cutters
14002	Arbor for older style Double "D" Holcutters
14004	Arbor for Double "D" Cutters

HOLCUTTER™ SPEED REDUCER



Featuring a 4:1 gear ratio, the Holcutter™ Speed Reducer mounts directly to your 1/2" drill and maintains torque while reducing RPMs for large hole diameters. Cutters mount to Speed Reducer with no arbor required.

Cutter Dia. (Inches)	Decimal Equiv.	Part No.
1-3/8	1.3750	14344
1-1/2	1.5000	14348
1-5/8	1.6250	14352
1-3/4	1.7500	14356
2	2.0000	14362
2-1/8	2.1250	14366
2-1/4	2.2500	14368
2-3/8	2.3750	14372
Replacement Pilot 14302 & Spring 14304 (1/2" Chuck)		
2-1/2	2.5000	14374
2-5/8	2.6250	14378
2-3/4	2.7500	14380
3	3.0000	14384

Part No.	Description
14301	Pilot for cutters up to 2-3/8" (3 Pk)
14302	Pilot for cutters 2-1/2" to 3" (3 Pk)
14303	Spring for cutters up to 2-3/8" (3 Pk)
14304	Spring for cutters 2-1/2" to 3" (3 Pk)



Part No.	Description
14005C	Sturdy plastic case contains Arbor, Pilots, Hex Washer, instructions, and Holcutters: 7/8, 1-1/8, 1-3/8, 1-3/4, 2 & 2-1/2"
14005-12	Case of (12) 14005 Kits

* Details marked are required to operate Speed Reducer

HOUGEN® - FAST, EASY, BURR-FREE HOLEMAKING



ROTACUT™

HOLCUTTER™

Holemaking made faster and easier than with conventional twist drills and holes saws - in sheet metal, plate stock and plastics - up to 1/2" thick. Hougén® Sheet Metal Hole Cutters are not hole saws - they're precision ground and heat treated high-performance cutting tools that produce clean, burr-free, round holes without ripping, tearing, or deforming the

surrounding material. They can produce holes up to 3x faster than hole saws and last 10x longer.

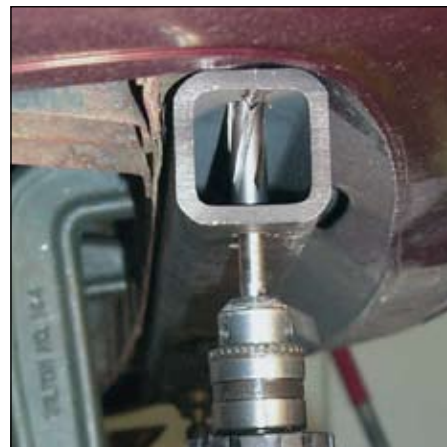
Hougén's Sheet Metal Hole Cutters allow you to maximize feed rates and distribute the cutting load evenly over many cutting edges, rather than just

two edges as a twist drill. Also, by cutting around the hole, Hougén® Sheet Metal Hole Cutters convert a smaller area to chips, leaving the center as a slug, requiring less horsepower and thrust than twist drills.

They're designed for use in hand held drills, stationary drill presses, or in high-production air feed spindles.

HOUGEN® SHEET METAL HOLE CUTTERS ARE PERFECT FOR:

- Electrical
- Pipe & Tubing
- Conduit Work
- Sheet Metal Fabrication
- Maintenance Installations
- HVAC / PHCC



ROTACUT™ & HOLCUTTER™ DISPLAY CENTERS



Part No.	Description
11000C	RotaCut™ Hole Making Center includes Kits and replacement components in clamshell packages for easy display.



Part No.	Description
14000C	Holcutter™ Hole Making Center includes Kits and replacement components in clamshell packages for easy display.

The RotaCut™ Hole Making Center is designed to get the RotaCut™ Cutters and Kits in front of customers. You'll display open kits, replacement cutters, arbors and pilots. Your customers have the option of buying any single component or a mix of their choosing.

The Holcutter™ display is designed to work along side of the RotaCut™ Hole Making Center, or as a stand alone.

COMMERCIAL / INDUSTRIAL LIMITED WARRANTY

Hougén Manufacturing, Inc. warrants its Portable Magnetic Drills, Electro-hydraulic Hole Punchers, Trak-Star Rail Drills, and Tornado II Paint Shakers for one (1) year, and other products for ninety (90) days from date of purchase against defects due to faulty material or workmanship and will repair or replace (at its option) without charge any items returned. This warranty is void if the item has been damaged by accident or unreasonable use, neglect, improper service, or other causes not arising out of defects in material or workmanship. No other expressed warranty is given or authorized. Hougén Manufacturing, Inc. disclaims any implied warranty of Merchantability or fitness for any period beyond the expressed warranty and shall not be liable for incidental or consequential damages. Some states do not allow exclusion of incidental or consequential damages or limitation on how long an implied warranty lasts and, if the law of such a state governs your purchase, the above exclusion and limitation may not apply to you. This warranty gives you specific legal rights and you may also have other rights which vary from state to state.

To obtain warranty service, return the item(s), transportation prepaid to:
Hougén Manufacturing, Inc., 3001 Hougén Drive, Swartz Creek, MI 48473.

This warranty is in lieu of any other warranty, expressed or implied, including any warranty of merchantability or fitness for a particular purpose.

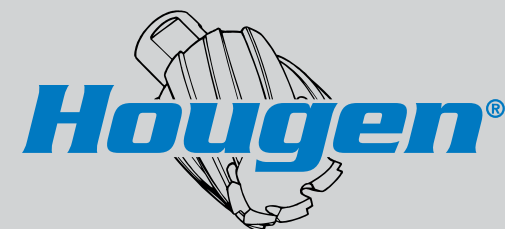
Hougén Patent Notice

The products covered in this catalog may be covered by one or more of the following U.S. patents, foreign patents, and pending patents.

4619532	4632610	4952102	5145296	5607266
5902076	6280123	D445808	D447494	5624213

Photographs and specifications are accurate in detail at time of printing. Manufacturer reserves the right to make improvements and modifications to designs without prior notice.

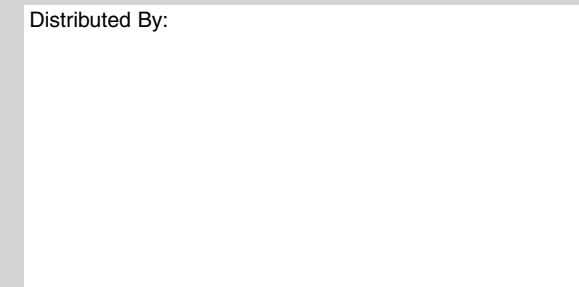
Member of:



HOUGEN MANUFACTURING, INC.
P.O. Box 2005 • Flint, MI 48501
3001 Hougén Drive • Swartz Creek, MI 48473
Ph: (810) 635-7111 • Fax: (810) 635-8277
E-mail: info@hougen.com
Online: www.hougen.com

Form No. 03700 © 2007 Hougén Mfg., Inc.

Distributed By:



Printed in U.S.A.



HOLE CUTTERS FOR SHEET METAL, PLATE & TUBE STOCK



WWW.HOUGEN.COM