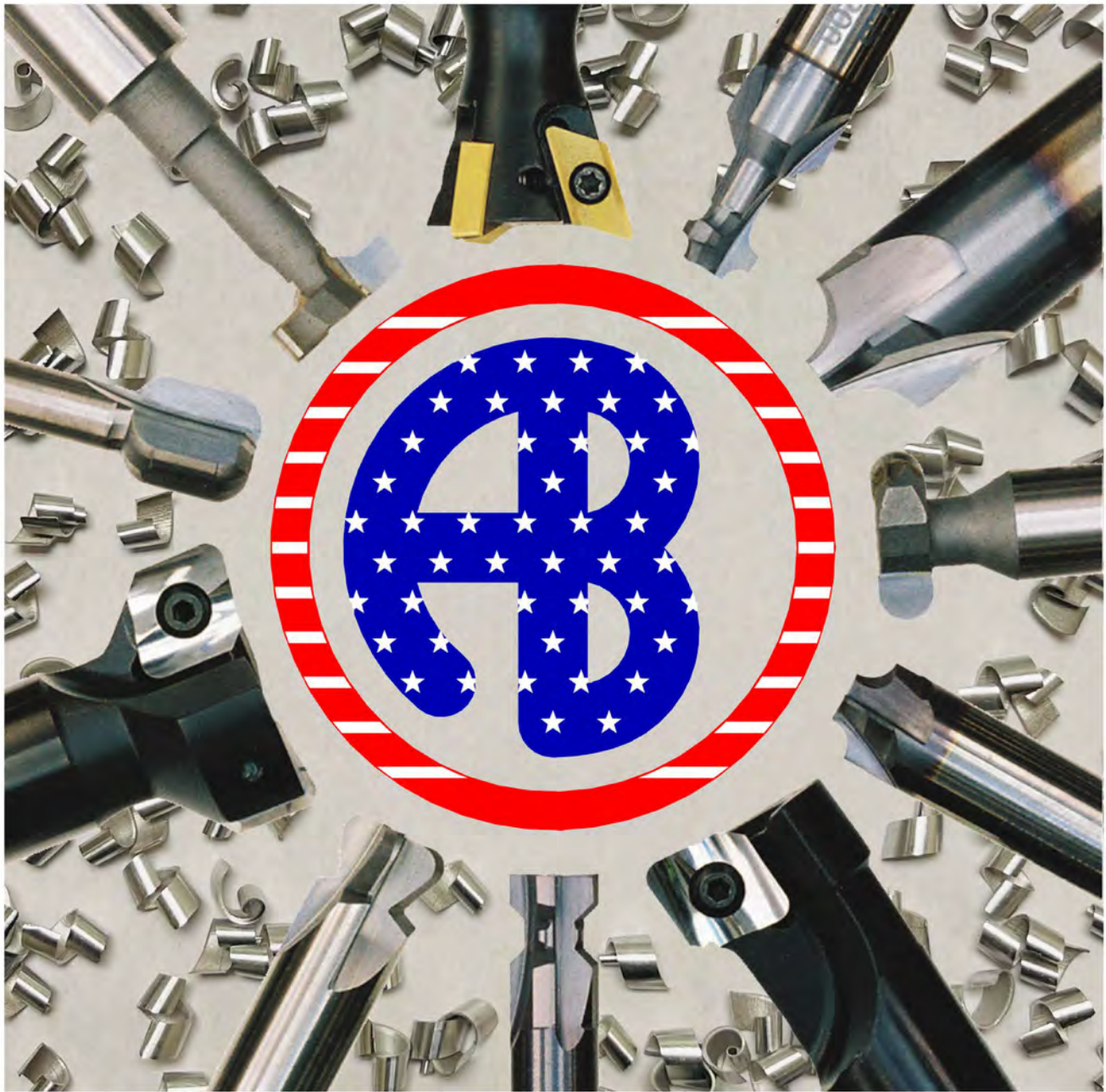


# A.B. Tools, Inc.



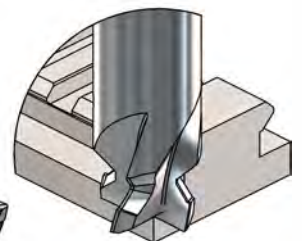
Made in the USA since 1977

**AHB**  
TOOLING & MACHINERY

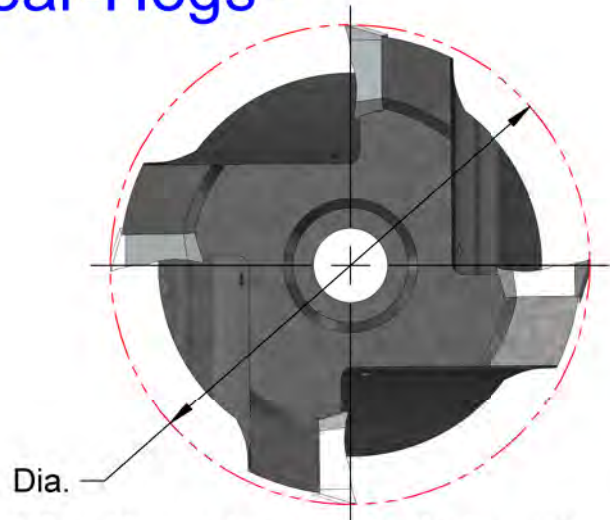
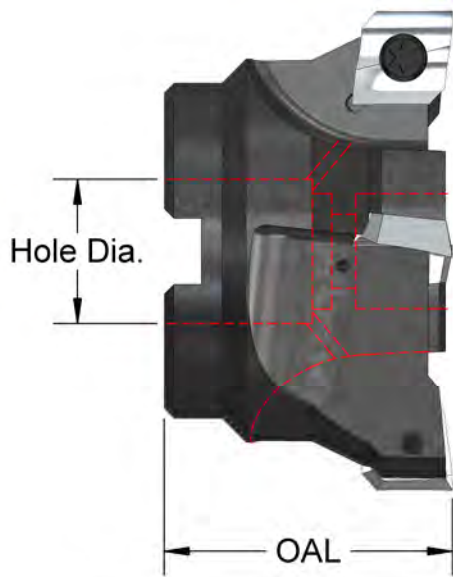
COMPLETE  
METALWORKING  
SOLUTIONS

(800) 991-4225  
www.ahbinc.com  
ISO Certified  
customerservice@ahbinc.com

New Products →



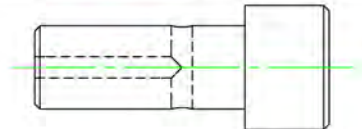
# Shell Shear-Hogs®



**All cutter prices include inserts, insert screws, coolant screw and wrench**

Number	Dia.	Hole Dia.	OAL	No. of Flutes	Price Incl. Inserts	Coolant Screws	
						Size	Price
SHELL 200	2.0	.500	1.25	2 or 3	<b>\$430.</b>	1/4-28	<b>\$7.50</b>
SHELL 250	2.5	.750	1.50	4	<b>\$475.</b>	3/8-24	<b>\$7.50</b>
SHELL 275	2.75	.750	1.50	4	<b>\$510.</b>	3/8-24	<b>\$7.50</b>
SHELL 300	3.0	1.00	1.75	4	<b>\$540.</b>	1/2-20	<b>\$8.75</b>
SHELL 400	4.0	1.25	1.87	4	<b>\$630.</b>	5/8-18	<b>\$11.00</b>
SHELL 500	5.0	1.50	2.25	5	<b>\$750.</b>	3/4-16	<b>\$12.50</b>
SHELL 600	6.0	1.50	2.25	6	<b>\$1000.</b>	3/4-16	<b>\$12.50</b>
SHELL 700	7.0	1.50	2.25	8	<b>\$1500.</b>	3/4-16	<b>\$12.50</b>

You may use Std. Socket Head screws without thru-tool coolant. Or, use our modified screws with coolant holes



Shear-Hog Inserts	Corner	Price
ADEH-430	Sharp	<b>\$19.50 ea.</b>
ADEH-431	.010 R	<b>\$19.50 ea.</b>
ADEH-432	.030 R	<b>\$19.50 ea.</b>
ADEH-434	.060 R	<b>\$19.50 ea.</b>
ADEH-436	.090 R	<b>\$21.50 ea.</b>
ADEH-438	.120 R	<b>\$21.50 ea.</b>
ADEH-45	.015 x 45°	<b>\$21.50 ea.</b>

Extra Insert Features	Add to Price
.002 Honed Edge	<b>\$3.00</b>
AlTiN Coat	<b>\$4.25</b>
DLC Coat	<b>\$5.75</b>
Honed Edge & AlTiN Coat	<b>\$7.25</b>
Insert Screws and Wrench	
3.5mm-SH (2012 and newer)	<b>\$2.00 ea.</b>
8-32-SH (Older than 2012)	<b>\$2.00 ea.</b>
T15 Wrench	<b>\$7.50 ea.</b>

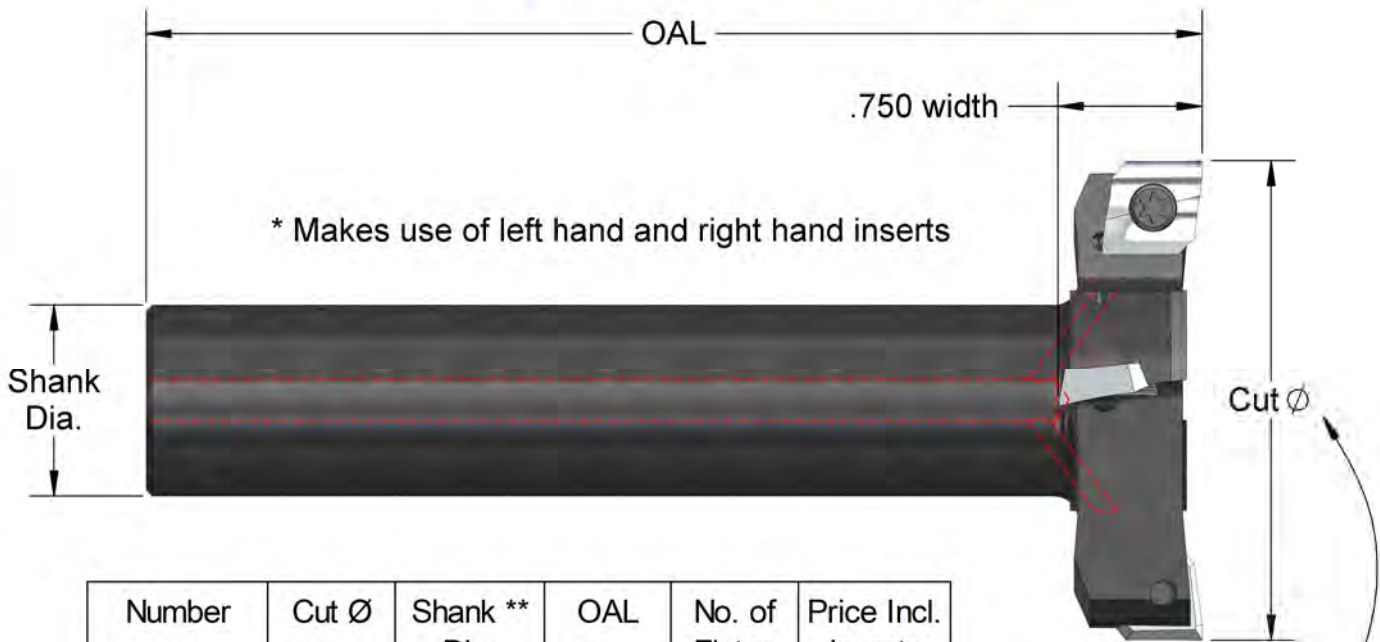


A. B. TOOLS, INC.  
1051 Aviation Blvd.  
Lincoln, CA 95648-9312

Phone 916 408-2442  
FAX 916 993-3949

www.abtoolsinc.com  
E-Mail: mail@abtoolsinc.com

# T-Slot Shear-Hogs®



Number	Cut Ø	Shank ** Dia.	OAL	No. of Flutes	Price Incl. Inserts
TS 150	1.50	3/4	4.5	2	<b>\$445.</b>
TS 175	1.75	3/4	5.5	2	<b>\$475.</b>
TS 200	2.00	1.0	6	2	<b>\$520.</b>
TS 250	2.50	1.0	5.5	4	<b>\$550.</b>
TS 325	3.25	1-1/4	6	4	<b>\$675.</b>
TS 400	4.00	1-1/4	7	4	<b>\$775.</b>
TS 450	4.50	1-1/4	7	6	<b>\$825.</b>

Cutting diameters are not for finish profiling with T-Slot Shear-Hogs.

Inserts can be spun ground in T-Slot Shear-Hogs to cut straight in that tool only at an additional charge.

\*\* We can modify shanks to smaller sizes.  
Price & lead time based on specific request.

## LH/RH Inserts same price



Shear-Hog Inserts	Corner	Price
ADEH-430	Sharp	<b>\$19.50 ea.</b>
ADEH-431	.010 R	<b>\$19.50 ea.</b>
ADEH-432	.030 R	<b>\$19.50 ea.</b>
ADEH-434	.060 R	<b>\$19.50 ea.</b>
ADEH-436	.090 R	<b>\$21.50 ea.</b>
ADEH-438	.120 R	<b>\$21.50 ea.</b>
ADEH-45	.015 x 45°	<b>\$21.50 ea.</b>

Extra Insert Features	Add to Price
.002 Honed Edge	<b>\$3.00</b>
AlTiN Coat	<b>\$4.25</b>
DLC Coat	<b>\$5.75</b>
Honed Edge & AlTiN Coat	<b>\$7.25</b>
Insert Screws and Wrench	
3.5mm-SH (2012 and newer)	<b>\$2.00 ea.</b>
8-32-SH (Older than 2012)	<b>\$2.00 ea.</b>
T15 Wrench	<b>\$7.50 ea.</b>



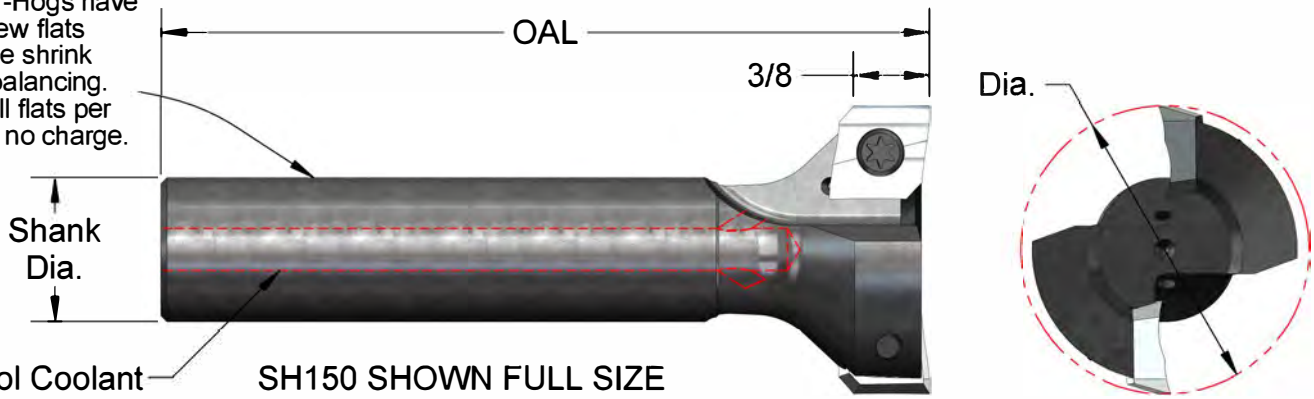
A. B. TOOLS, INC.  
1051 Aviation Blvd.  
Lincoln, CA 95648-9312

Phone 916 408-2442  
FAX 916 993-3949

www.abtoolsinc.com  
E-Mail: mail@abtoolsinc.com

# Shank Style Shear-Hogs®

The Shear-Hogs have no set-screw flats for possible shrink fit use or balancing. We will mill flats per request at no charge.



## Are you rough milling aluminum at 6 CIM per HP?

Number	Dia.	Shank Dia.	OAL	No. of Flutes	Ramp Angle	Price	Shear-Hog Inserts	Corner	Price
SH100	1.0	3/4	4.0	1	Drills in Z!	<b>\$215.</b>	ADEH-430	Sharp	<b>\$19.50 ea.</b>
SH100-6	1.0	3/4	6.0	1	Drills in Z!	<b>\$265.</b>	ADEH-431	.010 R	<b>\$19.50 ea.</b>
SH125	1-1/4	3/4	4.0	2	8°	<b>\$245.</b>	ADEH-432	.030 R	<b>\$19.50 ea.</b>
SH125-1	1-1/4	1.0	4.0	2	8°	<b>\$255.</b>	ADEH-434	.060 R	<b>\$19.50 ea.</b>
SH125-6	1-1/4	1.0	6.0	2	8°	<b>\$330.</b>	ADEH-436	.090 R	<b>\$21.50 ea.</b>
SH125-9	1-1/4	1.0	9.0	2	8°	<b>\$435.</b>	ADEH-438	.120 R	<b>\$21.50 ea.</b>
SH150	1-1/2	3/4	4.0	2	5°	<b>\$285.</b>	ADEH-45	.015 x 45°	<b>\$21.50 ea.</b>
SH150-1	1-1/2	1.0	4.5	2	5°	<b>\$295.</b>			
SH150-7	1-1/2	1-1/4	7.0	2	5°	<b>\$365.</b>	Extra Insert Features		
SH150-8	1-1/2	1.0	8.0	2	5°	<b>\$395.</b>	.002 Honed Edge	<b>\$3.00</b>	
SH200-3/4	2.0	3/4	4.5	3	4°	<b>\$340.</b>	AlTiN Coat	<b>\$4.25</b>	
SH200-1	2.0	1.0	5.0	3	4°	<b>\$340.</b>	DLC Coat	<b>\$5.75</b>	
SH200-7	2.0	1-1/4	7.0	3	4°	<b>\$410.</b>	Honed Edge & AlTiN Coat		
SH200-9	2.0	1-1/4	9.0	3	4°	<b>\$465.</b>	Insert Screws and Wrench		
SH300-3/4	3.0	3/4	5.0	4	None	<b>\$455.</b>	3.5mm-SH (2012 and newer)	<b>\$2.00 ea.</b>	
SH300-1	3.0	1.0	5.0	4	None	<b>\$455.</b>	8-32-SH (Older than 2012)	<b>\$2.00 ea.</b>	
SH300-1.25	3.0	1-1/4	5.0	4	None	<b>\$455.</b>	T 15 Wrench		
SH400-1.25	4.0	1-1/4	5.5	4	None	<b>\$600.</b>			
SH450	4-1/2	1-1/4	5.5	5	None	<b>\$675.</b>			

All cutter prices include Inserts, Screws, and Wrench, assembled and ready to cut.

See page 63 for recent test results on a HAAS VF1



COMPLETE METALWORKING SOLUTIONS

(800) 991-4225  
www.ahbinc.com  
ISO Certified  
customerservice@ahbinc.com



A. B. TOOLS, INC.  
1051 Aviation Blvd.  
Lincoln, CA 95648-9312