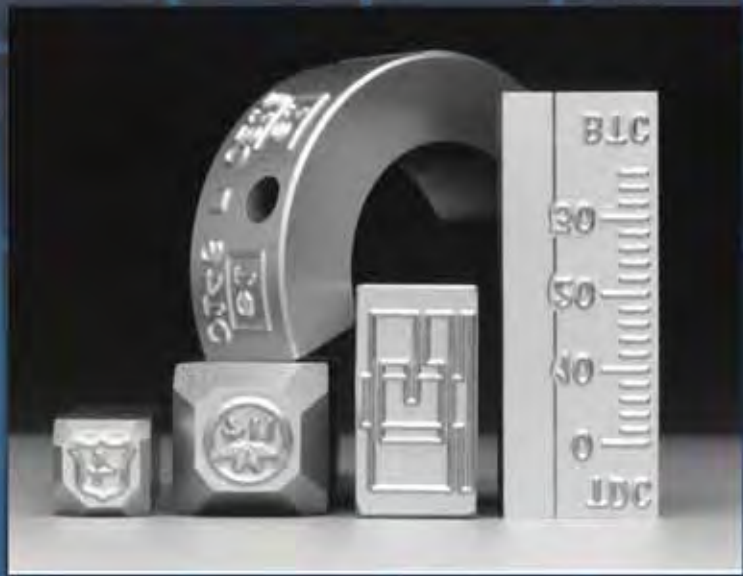


# CMT

COLUMBIA  
MARKING  
TOOLS



**The Complete  
Marking  
Stamp and Die  
Catalog**

## Company

Columbia Marking Tools is a leading manufacturer of marking products. Our broad spectrum of custom developed machines and components have made a significant "impact" on marking technology. Our company has an extensive history of innovations and technological breakthroughs. We continuously improve our products, incorporating the latest techniques and components.



CMT uses a standard Gothic font; this is similar to the Roman font used in printing, and the Arial font on the computer.



**ABCDEFGHIJKLMN  
OPQRSTUVWXYZ  
0123456789**

CMT can manufacture dies with any font required, including signatures.



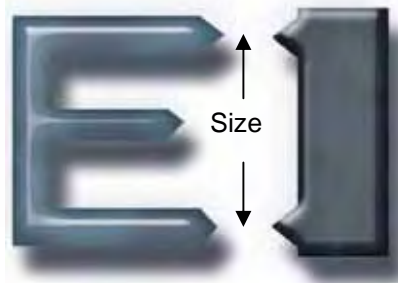
Over estimates of the size of the character required are quite common. The three marks above all have the same character size. The overall impression size will vary according to the depth of the mark; this effect must be taken into consideration whenever critical space limitations are a factor.

## Table of Contents

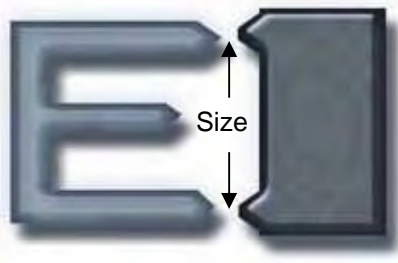
Character Face Styles	4
Marking Methods	5
Estimated Maximum Force	5
Marking Pressure	5
Character Size	6
Engraving Depth	6
Style of Fractions	6
Ordering Stamps and Logos	7
Punctuation	7
Legend Length	7
Custom Dies	8
Symbols	8
Flat and Step Type	10
Flat and Step type	11
Groove Type	12
Groove Type	13
Round Inserts	14
Punches	15
Special Length	15
Hot Stamp Type and Die	16
Hot Stamp Type and Die	17
Radial Press Holders and Dies	18
Roll Type Holders – Wedge Type	19
Roll Die Construction	20
Roll Dies	21
Automatic Roll Type Holder – CNC	22
Screw Machine	23
Wedge Type	23
Custom Stamps and Dies	24
Custom Stamps and Dies	25
Bottoming Marker	26
Installation	27
Retainers	28
L-Shape Type	29
Retainers	30
Retainers	31
Embossing Dies	32
Embossing Pressure Chart	33
Embossing Dies	34
Type Boxes	35

## Character Face Styles

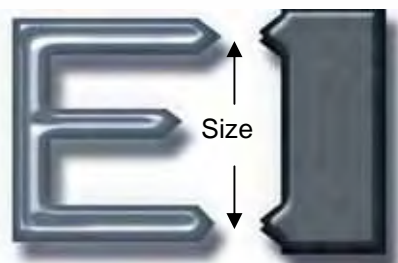
**Sharp Face Characters** are engraved with a sharp edge. A sharp face tool penetrates more easily than other styles.



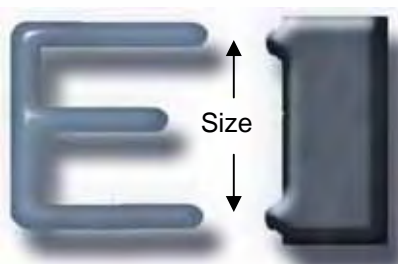
**Flat Face Characters** are engraved with a flat face instead of a sharp edge in order to produce a wider impression. This face is often used on brass or other non-ferrous metals. Since more material is displaced more force is required.



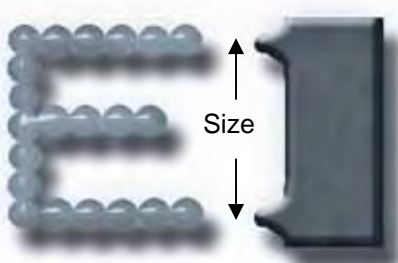
**Open Face Characters** have two sharp face lines to produce double line impression of an outline character. This style is used to emphasize trademarks or designs.



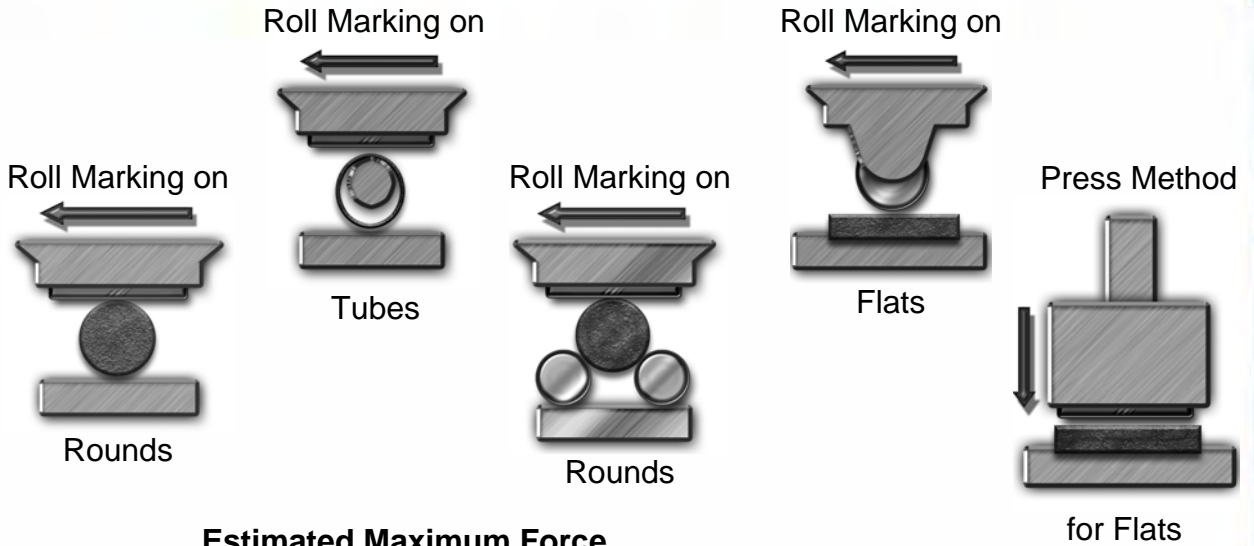
**Ball Face Characters** are engraved with a special rounded face for marking impressions with minimum stress at the point of marking



**Dot Style Characters** are engraved with a series of rounded dots for the lowest possible stress when marking. Recommended for high pressure fittings, aircraft and other parts where sharp tools might disrupt the molecular structure of the metal.



## Marking Methods



**Estimated Maximum Force per Hammer Blow (in lbs)**

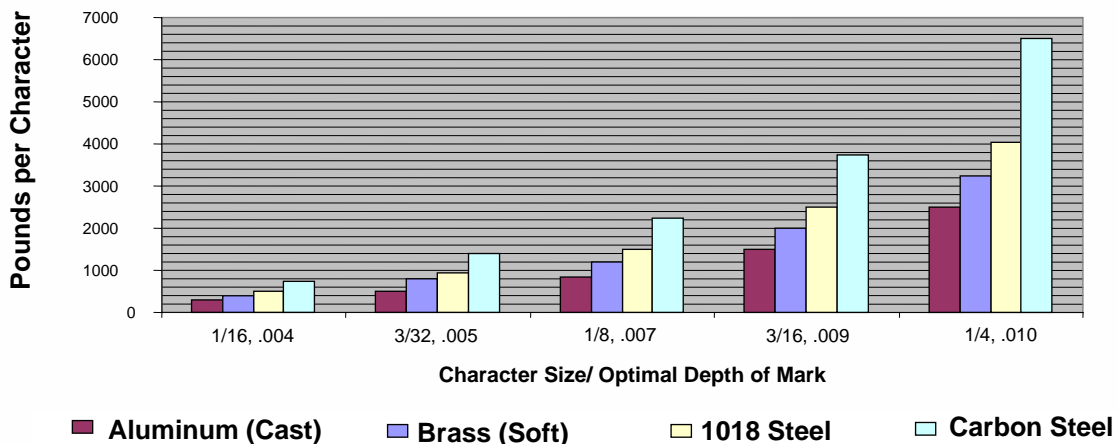
Size of Hammer	Average Machinist	Experienced Machinist	The "Big Guy"
3/4 lbs	3,000	4,000	5,000
1 lbs	4,400	6,000	7,400
1 1/2 lbs	6,000	8,000	10,000
2 lbs	9,000	12,000	15,000
2 1/2 lbs	12,800	17,000	21,200
3 lbs	22,400	30,000	37,400

**Press Method**



**for Rounds**

**Marking Pressure Data  
Static Stamping Pressure per character**



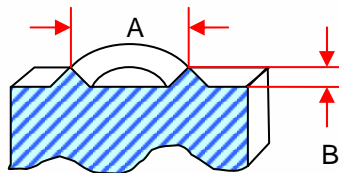
## Character Size Data

**Character Size Chart:** For determining height, width, and spacing of characters engraved on steel roll, stamping and embossing dies.

Size	Extra Condensed at 40% Style 1A	Condensed at 50% Style 2A	Standard at 60% Style 3A
1/16"	ABCDEFGHIJ1234567890	ABCDEFGHIJ1234567890	ABCDEFGHIJ1234567890
3/32"	ABCDEFGHIJ1234567890	ABCDEFGHIJ1234567890	ABCDEFGHIJ1234567890
1/8"	ABCDEFGHIJ1234567890	ABCDEFGHIJ1234567890	ABCDEFGHIJ1234567890
3/16"	ABCDEFGHIJ1234567890	ABCDEFGHIJ1234567890	ABCDEFGHIJ123456789
1/4"	ABCDEFGHIJ1234567890	ABCDEFGHIJ123	ABCDEFGHIJ12
5/16"	ABCDEFGHIJ123456	ABCDEFGHIJ	ABCDEFGHIJ
3/8"	ABCDEFGHIJ123	ABCDEFGHIJ	ABCDEFGHI
1/2"	ABCDEFGHIJ	ABCDEF	ABCDE

### Standard Engraving Depth

A Character Size	B Engraving Depth
1/32	.012
1/16	.018
3/32	.020
1/8	.023
5/32	.025
3/16	.025
1/4	.030
5/16	.032
3/8	.035
1/2	.050
5/8	.070
3/4	.078
1	.093



Example of Tier Style

### Style of Fractions

Style	Lay-out	Name
TS	$\frac{3}{8}$	Tier Style
FD	$\frac{3}{8}$	Full Diagonal
SD	$\frac{3}{8}$	Staggered Diagonal
SL	$\frac{3}{8}$	Straight Line Diagonal

## How to Order

### ORDERING INDIVIDUAL CHARACTERS AND PUNCTUATION

To order individual **LETTERS** and **FIGURES** add suffix of actual letter or figure to part number

<b>CMG</b>	<b>09</b>	<b>-A</b>
Style	Char Size	Letter or Figure

Build catalog number as shown. For punctuation suffix see table below.

To order **BLANK SPACERS** add suffix of "-00" to part number

<b>CMF</b>	<b>13</b>	<b>-00</b>
Style	Char Size	Blank Spacer

For Symbol number tables please see charts on pages 8 and 9.

To order **PUNCTUATION** add suffix from table below to part number

<b>CM8X</b>	<b>25</b>	<b>-RR</b>
Style	Char Size	Asterisk Suffix

### ORDERING LOGO DIES AND SEGMENTS

To order **LOGO DIES** (multiple character stamps) in Flat stamp style add prefix "L" and suffix of **ACTUAL LEGEND** to catalog number.

<b>L</b>	<b>CMT</b>	<b>09N</b>	<b>-936k</b>
Logo Die	Style	Char Size	Stamp reads "936K"

To order **SEGMENT DIES** (multiple character wedge stamps) in Wedge stamp styles add prefix "S" and suffix of **ACTUAL LEGEND** to catalog number.

<b>L</b>	<b>CMT</b>	<b>13</b>	<b>-PAT. PEND.</b>
Logo Die	Style	Char Size	Stamp reads "PAT. PEND."

<b>S</b>	<b>CMW</b>	<b>13</b>	<b>-Made In USA</b>
Segment Die	Style	Char Size	Stamp reads "Made in USA"

### Punctuation Symbols

Mark	Symbol	Suffix
Dash	-	-DD
Period	.	-PP
Comma	,	-CC
Diagonal	/	-SS
Ampersand	&	-AA
Number sign	#	-TT
Multiplication	X	-MM
Equals Sign	=	-EE
Colon	:	-LL
Plus Sign	+	-UU
Asterisk	*	-RR
Percent Sign	%	-QQ
Dollar Sign	\$	-BB

### Legend Length

To determine **MAXIMUM** legend length of logo or segment dies, multiply character size by number of characters on stamp. Count spaces and punctuation marks as 1/2 a character.

If standard spacing makes legend too long for your application, **SPECIFY MAXIMUM ALLOWABLE LEGEND LENGTH.**



## Symbols

1	2	3	4	5	6	7	8	9	10	101	102	103	104	105	106	107	108	109	110
11	12	13	14	15	16	17	18	19	20	111	112	113	114	115	116	117	118	119	120
21	22	23	24	25	26	27	28	29	30	121	122	123	124	125	126	127	128	129	130
31	32	33	34	35	36	37	38	39	40	131	132	133	134	135	136	137	138	139	140
41	42	43	44	45	46	47	48	49	50	141	142	143	144	145	146	147	148	149	150
51	52	53	54	55	56	57	58	59	60	151	152	153	154	155	156	157	158	159	160
61	62	63	64	65	66	67	68	69	70	161	162	163	164	165	166	167	168	169	170
71	72	73	74	75	76	77	78	79	80	171	172	173	174	175	176	177	178	179	180
81	82	83	84	85	86	87	88	89	90	181	182	183	184	185	186	187	188	189	190
91	92	93	94	95	96	97	98	99	100	191	192	193	194	195	196	197	198	199	200

Please select symbol number required from listing of 600 styles.



**Shank Style Dies.** Shank sizes and lengths made custom to suit press and application.



**Plain Round Dies.** Used as an insert or in a press to mark codes, trademarks, part numbers or other legends. Available in any diameter or length.



**Combination Engraved Dies and Type holder.** An engraved die with recesses for interchangeable type permits changing a portion of a legend while the basic engraving remains constant.



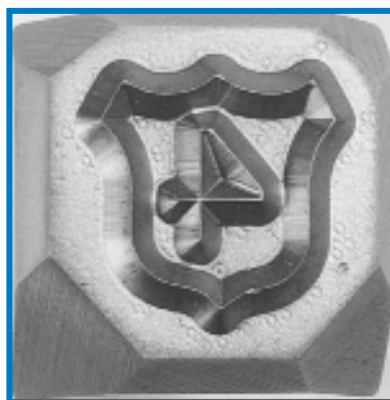
**Radially Engraved Shank Style Dies.** Used in a press when a radial impression is desired on a flat surface.



## Symbols



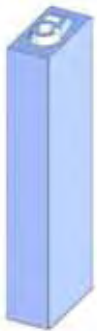
- Symbols can be engraved on any type, insert, or hand stamp
- Specify symbol required by SYM### after the catalog number of the stamp
- Some Symbols may require a wider blank than the standard letters



Numbers or Letters may be specified inside symbols



## Flat and Step Type



Flat type is held into a holder with a set screw. This method is recommended for use only in applications with smaller forces, and minimal machine vibrations.

Applications include:

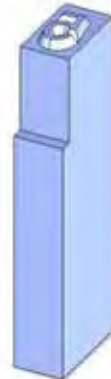
- Model 78 Mite-E-Mark rod style A
- Some brands of hand holders
- Custom holders



Step style type is held into a holder with a plate or clip. This method offers very easy changing of the marking legend.

Applications include:

- Press holders – P series
- Dovetail holders – DM Series
- Hand holders – H series and R Buster



Double step type may be used in the same applications and offers orientation versatility.



**Multi-Character stamps** are easily ordered by extending the part number to include the "L" logo segment prefix and "C#" denoting the number of characters as the suffix.

Example: LCMS13C5-XXXXX  
(XXXXX are the characters required on the stamp.)

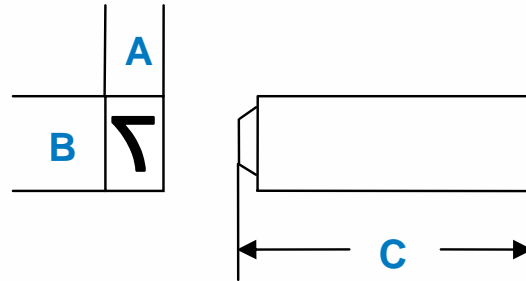


The height (B) and the length (C) of the stamp will remain the same. The width of the stamp (A) will be the single character width multiplied by the number of characters on the stamp.

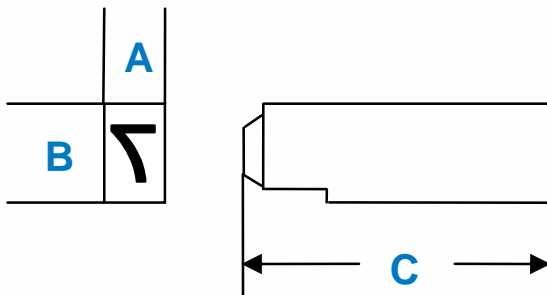
## Flat, Step and Double Step Type Styles

### Flat Style CMF Series

Char Size	A	B	C	Catalog No.
1/32	1/16	1/4	7/8	CMF03-
1/16	1/16	1/4		CMF06-
3/32	3/32	1/4		CMF09-
1/8	1/8	1/4		CMF13-
5/32	3/16	5/16		CMF16-
3/16	3/16	5/16		CMF19-
1/4	1/4	3/8		CMF25-



### Step Style CMS Series

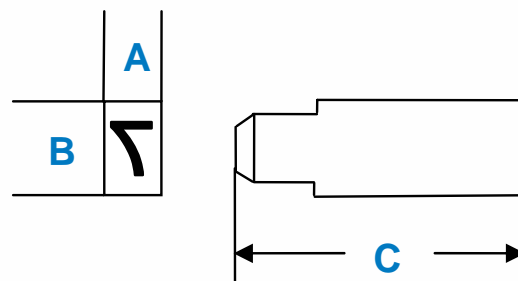


Char Size	A	B	C	Catalog No.
1/32	1/16	1/4	7/8	CMS03-
1/16	1/16	1/4		CMS06-
3/32	3/32	1/4		CMS09-
1/8	1/8	1/4		CMS13-
5/32	3/16	5/16		CMS16-
3/16	3/16	5/16		CMS19-
1/4	1/4	3/8		CMS25-



### Double Step Style CMT Series

Char Size	A	B	C	Catalog No.
1/32	1/16	1/4	7/8	CMT03-
1/16	1/16	1/4		CMT06-
3/32	3/32	1/4		CMT09-
1/8	1/8	1/4		CMT13-
5/32	3/16	5/16		CMT16-
3/16	3/16	5/16		CMT19-
1/4	1/4	3/8		CMT25-



## Groove Type



Groove type is held into a holder with a spring clip or pin. This pin is made of spring steel, and is designed to withstand impact forces.

Applications include:

- All air impact markers
- HG Series Hand holders
- Custom holders



Groove type comes in a variety of standard configurations: CMG, CMC and CMV. Custom sizes can be ordered by providing the blank information (see page 25).

Reverse Groove type is the same as the standard, but with the groove located at the top of the character. Denote reverse groove option as follows: CMGR, CMVR, CMCR.



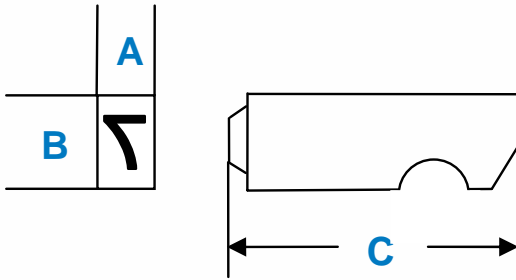
**Multi-Character stamps** are easily ordered by extending the part number to include the "L" logo segment prefix and "C#" denoting the number of characters as the suffix.

Example: LCMG13C5-XXXXX  
(XXXXX are the characters required on the stamp.)

The height (B) and the length (C) of the stamp will remain the same. The width of the stamp (A) will be the single character width multiplied by the number of characters on the stamp.

## Groove Type Styles

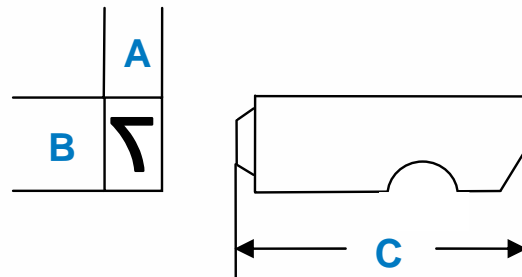
### Groove Style CMG Series



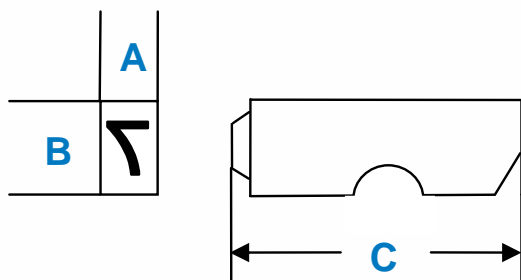
Char Size	A	B	C	Catalog No.
1/32	1/16	1/4	7/8	CMG03-
1/16	1/16	1/4		CMG06-
3/32	3/32	1/4		CMG09-
1/8	1/8	1/4		CMG13-
5/32	3/16	1/4		CMG16-
5/32	3/16	5/16		CMG16W-
5/32	5/32	1/4		CMG16N-
3/16	3/16	5/16		CMG19-
1/4	1/4	3/8		CMG25-

### Custom Style CMV Series

Char Size	A	B	C	Catalog No.
1/32	1/16	1/4	7/8	CMV03-
1/16	1/16	1/4		CMV06-
3/32	3/32	1/4		CMV09-
1/8	1/8	1/4		CMV13-



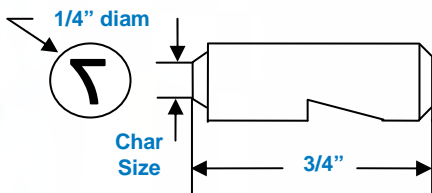
### Custom Style CMC Series



Char Size	A	B	C	Catalog No.
1/32	1/16	1/4	1 1/4	CMC03-
1/16	1/16	1/4		CMC06-
3/32	3/32	1/4		CMC09-
1/8	1/8	1/4		CMC13-
5/32	3/16	5/16		CMC16-
3/16	3/16	5/16		CMC19-
1/4	1/4	3/8		CMC25-

## Standard Round Inserts

### CM7X

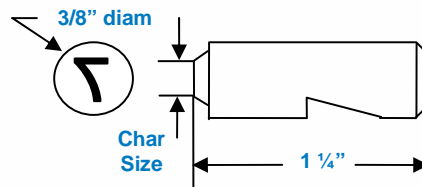


Char Size	Catalog No.
1/32	CM7X03-
1/16	CM7X06-
3/32	CM7X09-
1/8	CM7X13-
5/32	CM7X16-
3/16	CM7X19-



**For use in:** CMT Model 78  
rod style "B"

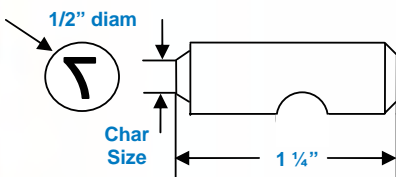
### CM8X



Char Size	Catalog No.
1/32	CM8X03-
1/16	CM8X06-
3/32	CM8X09-
1/8	CM8X13-
5/32	CM8X16-
3/16	CM8X19-
1/4	CM8X25-

**For use in:** CMT Model 88,  
288, 75, 85 rod style "B", and  
the No 8 inspector's hammer

### CM9X



Char Size	Catalog No.
1/32	CM9X03-
1/16	CM9X06-
3/32	CM9X09-
1/8	CM9X13-
5/32	CM9X16-
3/16	CM9X19-
1/4	CM9X25-
3/8	CM9X38-

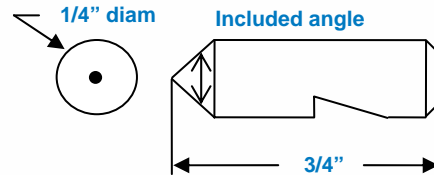


**For use in:** CMT Model 98,  
298, 751, 851 rod style "B"  
character stamps

## Punches

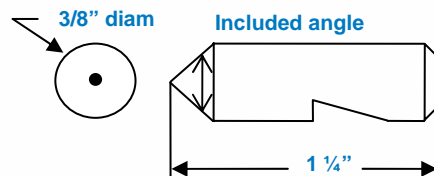
### CM7XP

Catalog No.	Prick Punch
CM7XP60	60 Degree included angle
CM7XP90	90 Degree included angle
CM7XP120	120 Degree included angle



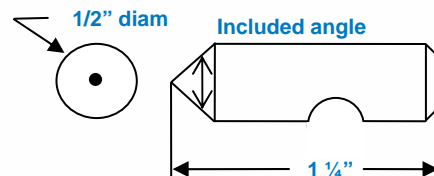
### CM8XP

Catalog No.	Prick Punch
CM8XP60	60 Degree included angle
CM8XP90	90 Degree included angle
CM8XP120	120 Degree included angle



### CM9XP

Catalog No.	Prick Punch
CM9XP60	60 Degree included angle
CM9XP90	90 Degree included angle
CM9XP120	120 Degree included angle



### Special Length Round Inserts:

Specify special length required within the part number as shown in the examples.

<b>CM9X</b>	<b>13</b>	<b>SL2.50</b>	<b>-2</b>
Style	Char size	Overall Length	Character
<b>CM9X</b>	<b>P90</b>	<b>SL2.75</b>	
Style	Punch Angle	Overall Length	



### Custom Punches:

For multiple staking locations or custom shapes. Please provide drawing or part being formed.

## Hot Stamp Type and Dies

CMT specializes in identification including: date codes, lot numbers, part numbers, and serial numbers. CMT also makes custom logo dies such as the example shown to the right.



### Flat Face Standards



Shown at left is our standard flat face stamp with a flat character face height of 8%. We also have other sizes available, such as stamps with a flat character face height of 5%, 10% and 15% (shown at right).



For very large characters, greater than 1", CMT offers cross hatching of the character face. This promotes a better securing of the foil on large flat surfaces.



**Extra Deep Engraving:** Required when material is removed from a part after marking or for an abnormally deep mark. Branding dies are engraved extra deep with a flat face so the background of the hot die will not touch the material.

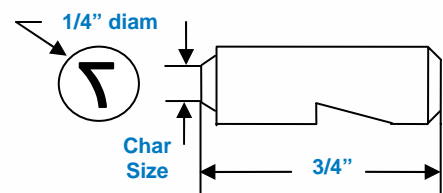
### Hot Stamp Round Inserts

Custom designs for the round inserts include:

- Heat Staking
- Multi-character
- Symbols/Logos

Char Size	Catalog No.
1/16	CM7XH06-
3/32	CM7XH09-
1/8	CM7XH13-
5/32	CM7XH16-
3/16	CM7XH19-

For use in: Hot Stamp Series 900 with HX7 holders

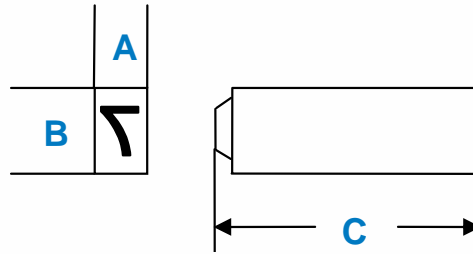




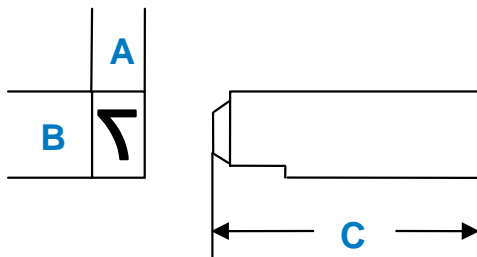
## Hot Stamp Type and Dies

### Flat Style CMFH Series

Char Size	A	B	C	Catalog No.
1/32	1/16	1/4	7/8	CMFH03-
1/16	1/16	1/4		CMFH06-
3/32	3/32	1/4		CMFH09-
1/8	1/8	1/4		CMFH13-
5/32	3/16	5/16		CMFH16-
3/16	3/16	5/16		CMFH19-
1/4	1/4	3/8		CMFH25-



### Step Style CMSH Series

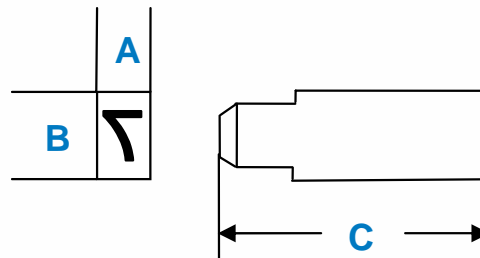


Char Size	A	B	C	Catalog No.
1/32	1/16	1/4	7/8	CMSH03-
1/16	1/16	1/4		CMSH06-
3/32	3/32	1/4		CMSH09-
1/8	1/8	1/4		CMSH13-
5/32	3/16	5/16		CMSH16-
3/16	3/16	5/16		CMSH19-
1/4	1/4	3/8		CMSH25-



### Double Step Style CMTH Series

Char Size	A	B	C	Catalog No.
1/32	1/16	1/4	7/8	CMTH03-
1/16	1/16	1/4		CMTH06-
3/32	3/32	1/4		CMTH09-
1/8	1/8	1/4		CMTH13-
5/32	3/16	5/16		CMTH16-
3/16	3/16	5/16		CMTH19-
1/4	1/4	3/8		CMTH25-

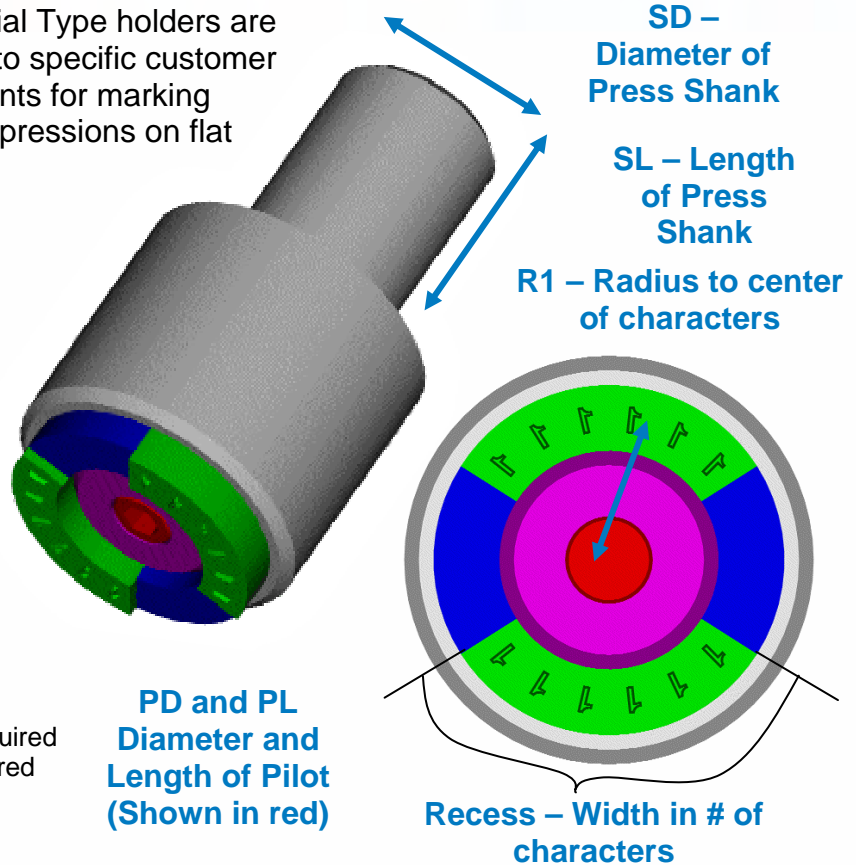


## Radial Press Holder and Dies

### Ideal for Marking:

- Gear blanks
- Cutter
- Pulleys
- Shafts
- Bearings
- Wheels
- Bushings

CMR Radial Type holders are designed to specific customer requirements for marking circular impressions on flat surfaces.



**When Ordering CMR Radial Type Holders Please Specify the Following Information:**

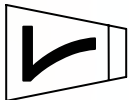
1. Character Size
2. Radius to center of character (R1)
3. Number of Recesses
4. Type Capacity of Each Recess
5. Shank Diameter (SD) & Length (SL)
6. Pilot Diameter (PD) & Length (PL) Required
7. Quantity of Letter & Figure Type Required
8. Quantity of Spacers Required

**To order CMR Radial Type and multi-character segment stamps use:**

- Catalog number listed in the table below
- Plus actual letters, figures, or multi-character legend

**IMPORTANT:**  
Please include part number of holder when re-ordering stamps

### CMRA Style



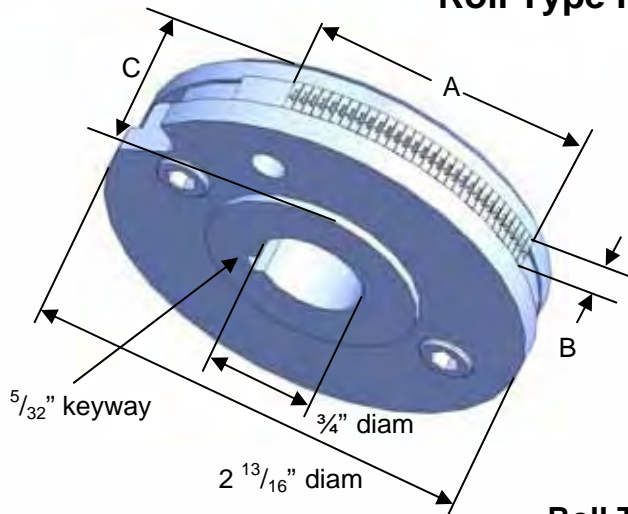
### CMRB Style



### Radial Style CMR Series

Char Size	CMRA Style		CMRB Style		Blank Spacers
	Type	Logotype	Type	Logotype	
1/16	CMRA06-	LCMRA06-	CMRB06-	LCMRB06-	CMRA06-00
3/32	CMRA09-	LCMRA09-	CMRB09-	LCMRB09-	CMRA09-00
1/8	CMRA13-	LCMRA13-	CMRB13-	LCMRB13-	CMRA13-00
3/16	CMRA19-	LCMRA19-	CMRB19-	LCMRB19-	CMRA19-00
1/4	CMRA25-	LCMRA25-	CMRB25-	LCMRB25-	CMRA25-00

## Roll Type Holders and Type



COLUMBIA roll type holders, developed to efficiently mark both flat and contoured surfaces, are designed to hold individual step style wedge type or combinations of wedge type, logo-type, and segment dies. The step in the cover plate retains the type in the holder while a take-up plate, provided with each holder, holds the type in perfect alignment.

The hub extends 1/16" past the cover plate allowing the plate to be released while the holder remains firmly locked in the carriage.

Release of the cover plate allows all type changing operations to be carried out while the holder remains in the carriage, a truly time-saving feature.

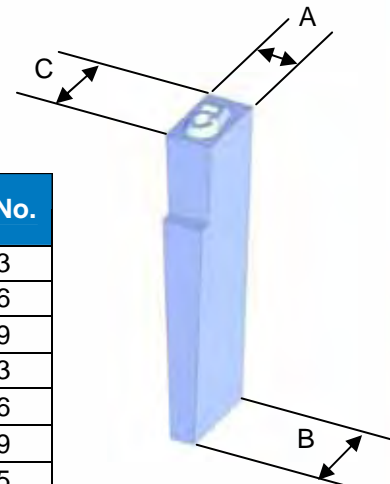
### Roll Type Holders

Catalog No.	Character Sizes	Dim.			Use in Roll Carriage Cat. No.
		A	B	C	
RMA-2	1/32 1/16	7/32	2	3/4	CA-75
RMA-3	3/32 1/8	7/32	3	3/4	DCA-75
RMB-2	5/32 3/16	9/32	2	1	CA-100
RMB-3		9/32	3	1	DCA-100
RMC-2	1/4	11/32	2	1	CA-100
RMC-3		11/32	3	1	DCA-100

COLUMBIA wedge type is designed to fit into our series RM roll type holders. The step style was selected for our standard type because of the additional strength afforded by this proven design. Blank spacers are required where number of characters needed is less than capacity of holder slot. Style W standard wedge type has a wedge angle generated by a 3" marking diameter.

### Wedge Style CMW Series

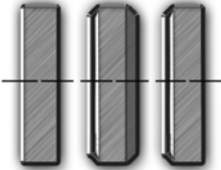
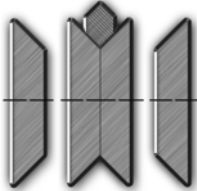
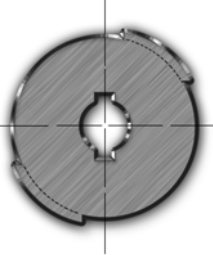
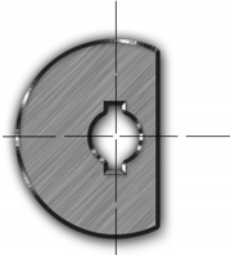
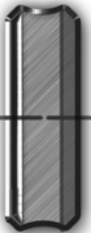
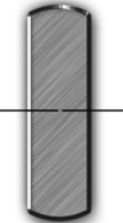
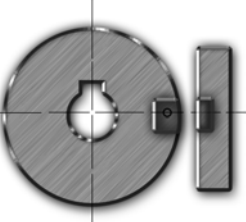

Character Size	Dimensions			Use in Holder No.	Catalog No.
	A	B	C		
1/32	1/16	1/4	7/32	RMA-2 or 3	CMW03
1/16	1/16	1/4	7/32		CMW06
3/32	3/32	1/4	7/32		CMW09
1/8	1/8	1/4	7/32		CMW13
5/32	3/16	5/16	9/32	RMB-2 or 3	CMW16
3/16	3/16	5/16	9/32		CMW19
1/4	1/4	3/8	11/32	RMC-2 or 3	CMW25



## Roll Die Construction

- Machined roll die characters made to accurate geometrical proportions.
- Roll marking subjects the marking dies to great side pressures, consequently, great importance is attached to the shape of the bevels on the characters.
- COLUMBIA'S new machining process automatically provides every angle and bevel with that extra built-in strength of geometrically true characters.
- COLUMBIA roll dies exhibit greater strength and wear-resistance over an exceptionally long period of marking life.

### Shapes for Every Marking Application

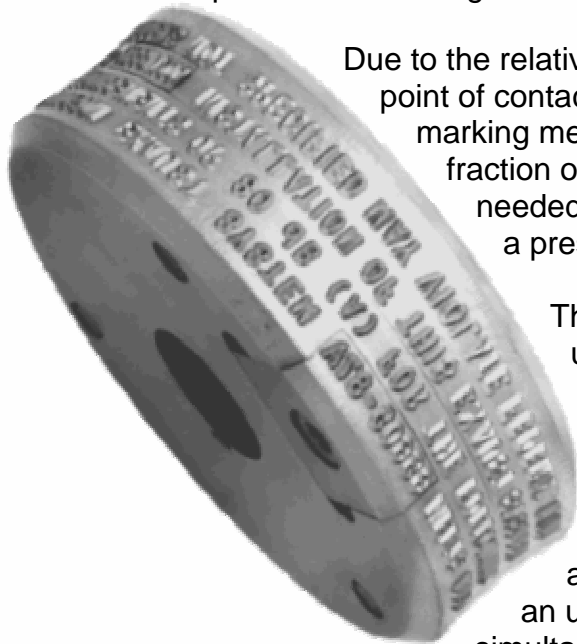
<p>1. For marking on flat surfaces or in recesses, the engraving is on the periphery of the roll die.</p> 	<p>2. For marking hexagon and octagon shaped parts on two adjacent surfaces. The two parts of the split roll dies are bolted together.</p> 
<p>3. Two or more impression roll dies are recommended where impression takes up only a fraction of the die circumference. Additional blank cost is saved by repeating the legend on opposite side.</p> 	<p>4. Roll dies with relieved section to facilitate loading and unloading of parts. Also to clear projections on marking surface.</p> 
<p>5. For marking parallel to axis of rounds and shafts. The concave surface of the roll die must have the same radius as the part.</p> 	<p>6. For marking concave surfaces. The marking surface of the roll die is machined convex to the contour of the part to be marked.</p> 
<p>7. Roll die blanks mortised for changeable inserts. Constant reading impression engraved on die blank. Variable information is engraved on inserts.</p> 	<p>8. Roll die blanks mortised for changeable wedge type inserts. Constant reading impression engraved on die blank. Variable information is made up of wedge or logo-type.</p> 

## Roll Dies

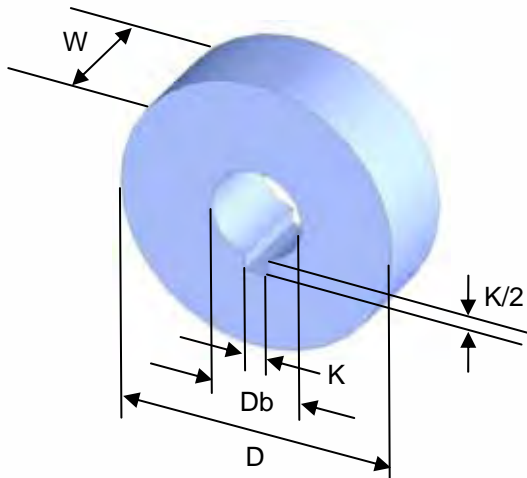
Marking by means of a roll die is one of the fastest and most efficient methods known. Roll dies, used in manually operated marking fixtures, hand, air, and hydraulic marking machines, bar markers, and special purpose marking machines, solve a large variety of production marking needs.



Due to the relatively small point of contact, the roll marking method requires only a fraction of the pressure that would be needed to mark the same legend by a press method.



The roll die marking method is used exclusively when marking uneven surfaces by employing COLUMBIA roll marking machines. In contouring, the machine allows the roll die to follow an uneven surface while, simultaneously, keeping the impression depth uniform.

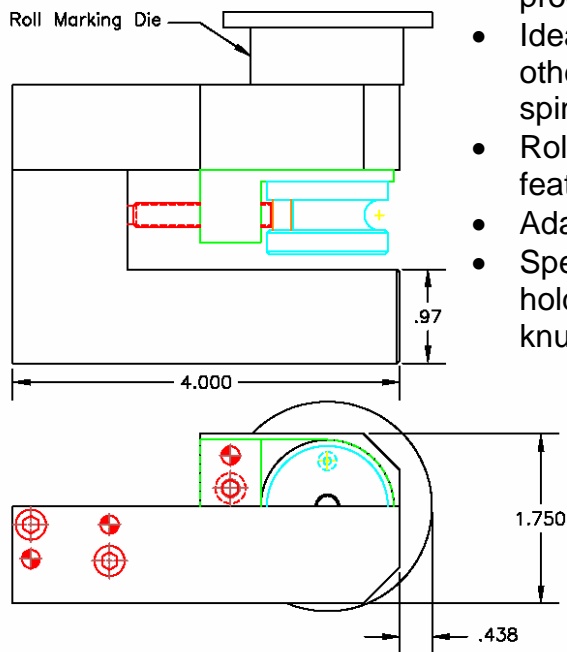


### Lettering Knurl (Round Die)

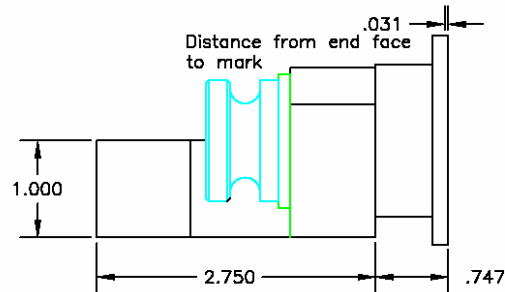
D = diameter  
W = width  
D<sub>b</sub> = diameter of bore  
K = width of keyway  
K/2 = depth of keyway  
(D x W x D<sub>b</sub> x K x K/2)

## Automatic Roll Type Holder

**Model R900** – Specially designed for use in CNC turning centers



- In-line operation allows for efficient marking during primary operations
- Completely eliminates need for secondary marking process
- Ideal for fittings, couplings, nozzles, collars and many other parts turned in a lathe, screw machine, multiple spindle or chucking machines
- Roll style options include spring return with locking feature, or spring return
- Adaptors and custom mounts available
- Special designs available including free running holder designed for multiple revolution marking and knurling



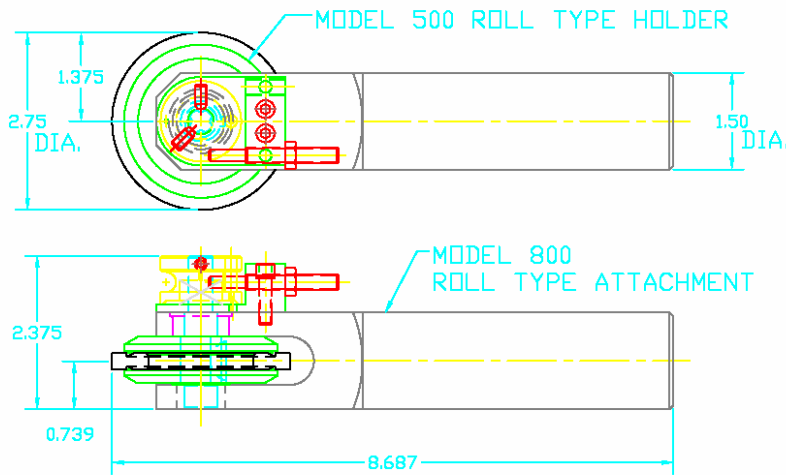
All dimensions are approximate. Please request current drawing of configuration required.



- Tool clearance  $\frac{1}{2}$ "
- Standard shank for model 900 is  $\frac{3}{4}$ " or 1" sq.
- Outside die mount is required for marking within  $\frac{1}{32}$ " of collet nose
- Marking dies can be either roll type holder with interchangeable type or roll dies with permanent marking legend

**Roll Dies for Model R900** – please specify character size and marking legend required

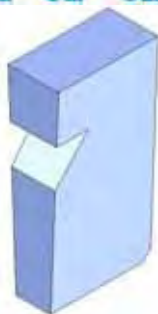
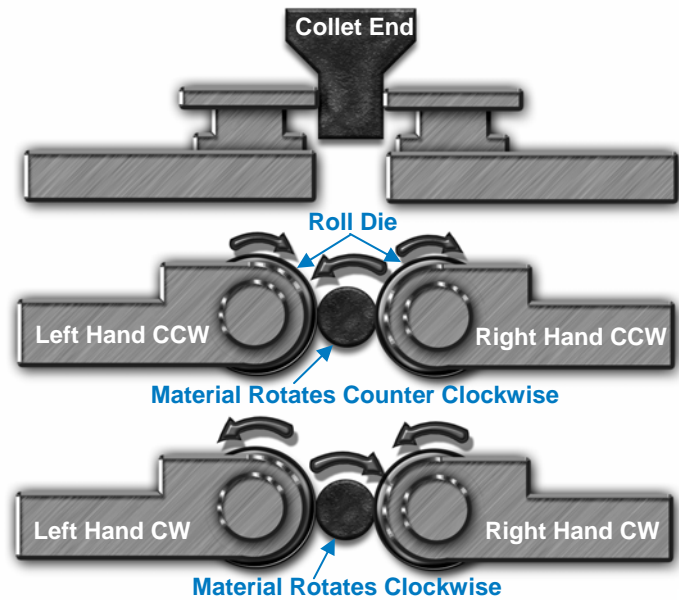
## Automatic Roll Type Holder



**Model R800 and R500** - Screw machine adapters and holders are special tools developed to mark round parts while they are being turned in a lathe, turret lathe, or automatic screw machine. The mark is usually applied just before the cut-off operation. These holders, mounted directly in the tool posts or screw machine stations, are the stud style construction which permits marking close to the chuck or collet and simplifies the die or holder changes

### How to Order Holders

1. Will die be mounted LEFT or RIGHT of shank?
2. Specify RPM and TYPE of machine on which holder will be used.
3. Minimum distance from collet to point of marking on the part.
4. Specify whether TOP of impression is TOWARD or AWAY from the collet.
5. Specify the ROTATION of the spindle (looking into the collet end of the machine)



### Wedge Style CMN Series

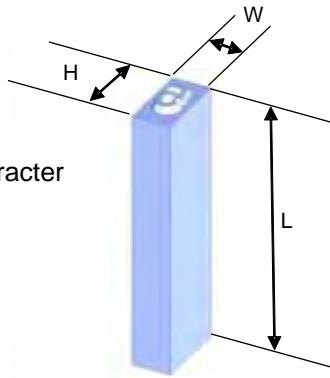
Char Size	Catalog No.
1/16	CMN06-
3/32	CMN09-
1/8	CMN13-
3/16	CMN19-
1/4	CMN25-

- Fits in CMT R500 roll type holder and other brands
- Machined engraved for durability
- 50% cost saving over competitors

## Custom Stamps and Dies

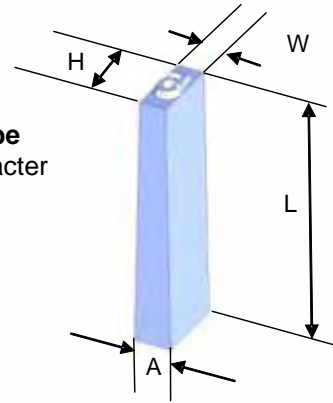
### Straight Type

L = length over character  
W = width  
H = height



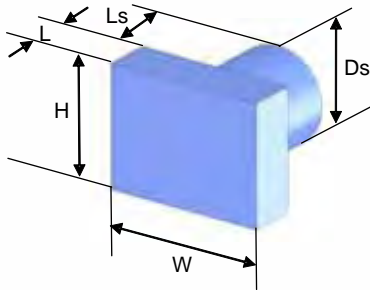
### Inverted Wedge Type

L = length over character  
H = height  
W = width top  
A = angle bottom



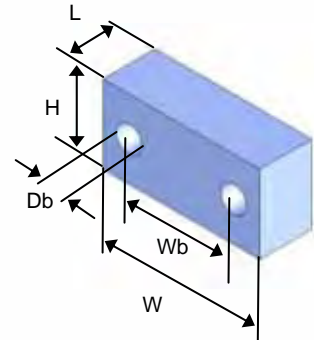
### Shank Style Rectangular Die

L = length of die over character  
W = width of die  
H = height of die  
 $D_s$  = Diameter of shank  
 $L_s$  = length of shank  
(L x W x H)  
Shank: ( $D_s$  x  $L_s$ )



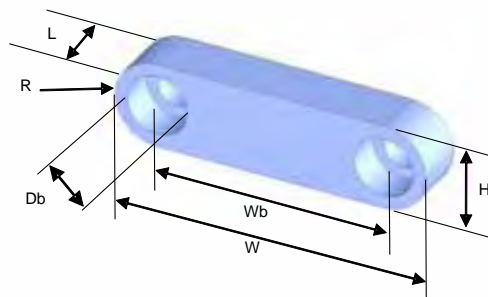
### Flat Style Rectangular Die

L = length over character  
W = width  
H = height  
Wb = distance between center of mounting holes  
 $D_b$  = diameter of bore



### Retainer

L = length over character  
W = width  
Wb = distance between center of mounting holes  
 $D_b$  = diameter of bore  
R = radius  
H = height

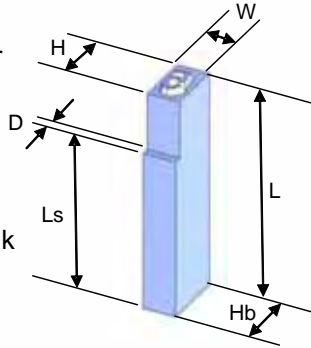




## Custom Stamps and Dies

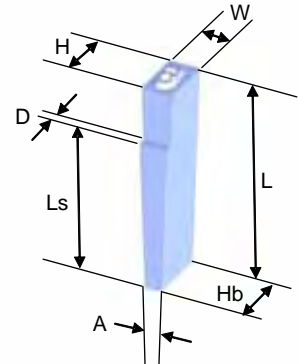
### Straight Step Type

L = length over character  
 W = width  
 H = height  
 $L_s$  = Length from step to bottom of die  
 D = depth of step  
 $H_b$  = overall height of blank (LxWxH)  
 Step: ( $L_s \times D$ )



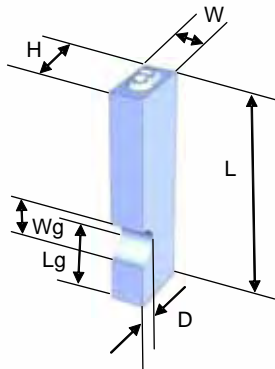
### Knurl Step Type

L = length over character  
 W = width  
 H = height  
 $L_s$  = length from step to bottom of die  
 D = depth of step  
 $H_b$  = overall width of blank (LxWxH)  
 A = angle  
 Step = ( $L_s \times D$  angle: A)



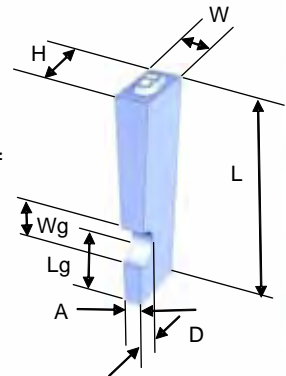
### Straight Groove Type

L = length over character  
 W = width  
 H = height  
 $L_g$  = length from the middle of groove to bottom of die  
 D = depth of groove  
 $W_g$  = width of groove (LxWxH)  
 Groove: ( $L_g \times W_g \times D$ )



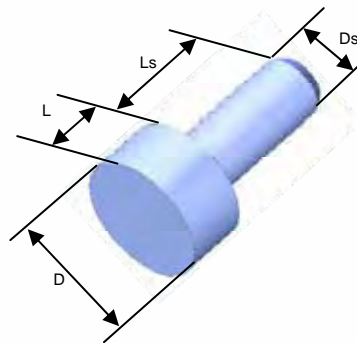
### Knurl Groove Type

L = length over character  
 W = width  
 H = height  
 $L_g$  = length from the middle of groove to bottom of die  
 D = depth of groove  
 $W_g$  = width of groove (LxWxH)  
 Groove: ( $L_g \times W_g \times D$  angle: A)

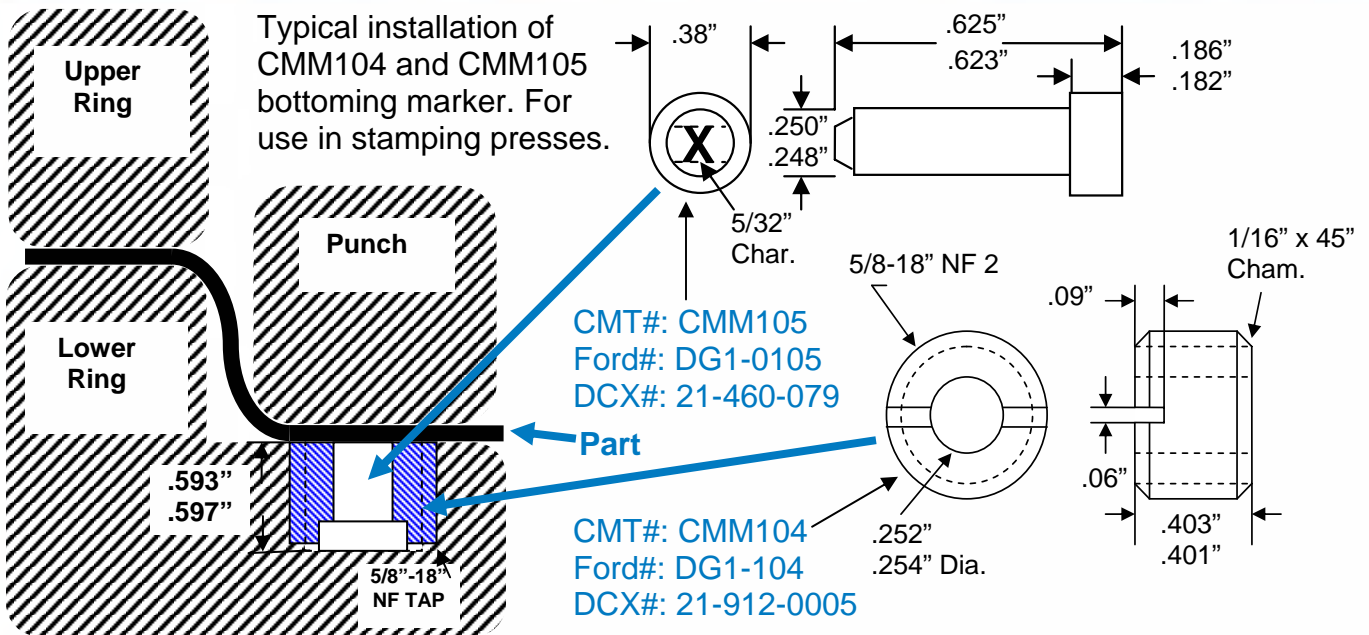


### Shank Style Round Die

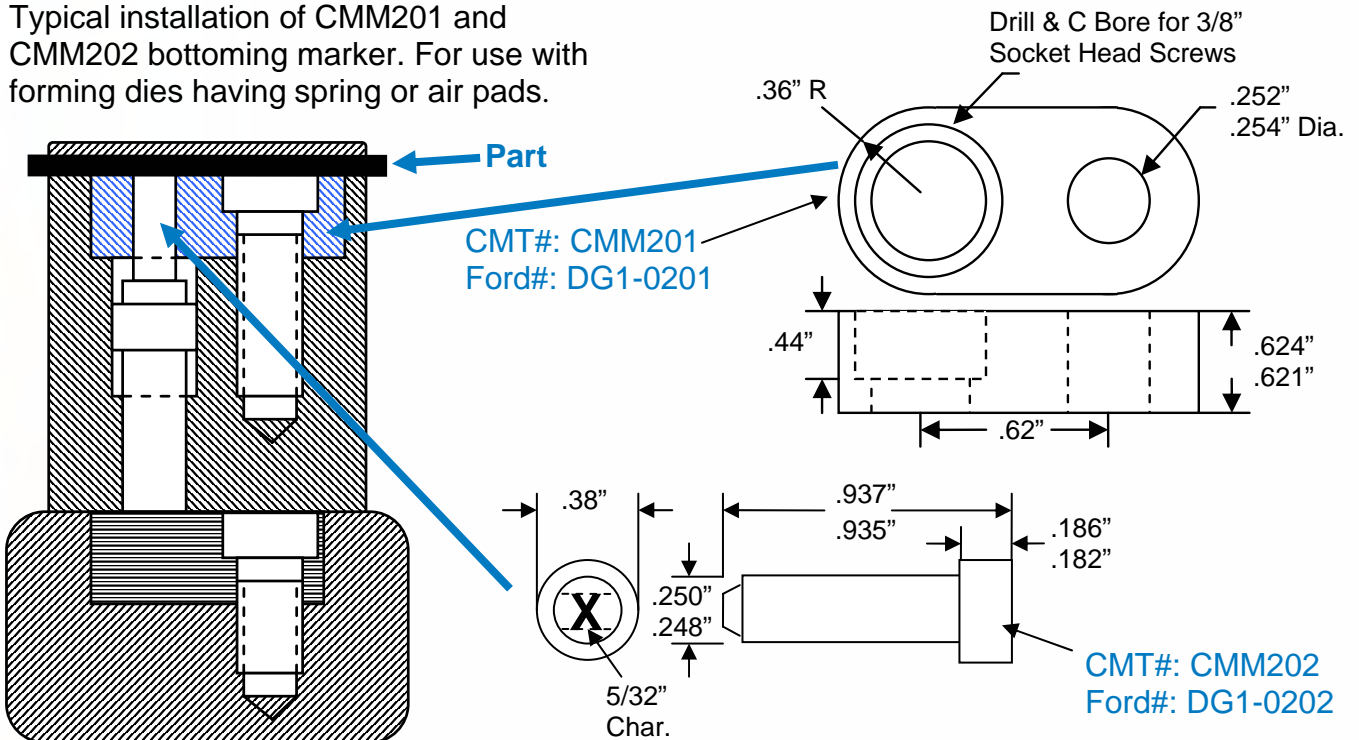
L = length of body over character  
 D = diameter of body  
 $L_s$  = length of shank  
 $D_s$  = diameter of shank (D x L)  
 Shank: ( $D_s \times L_s$ )



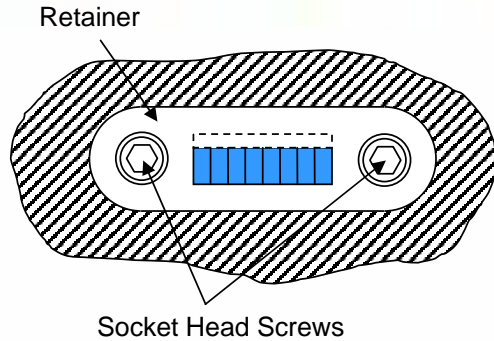
## Bottoming Marker



Typical installation of CMM201 and CMM202 bottoming marker. For use with forming dies having spring or air pads.



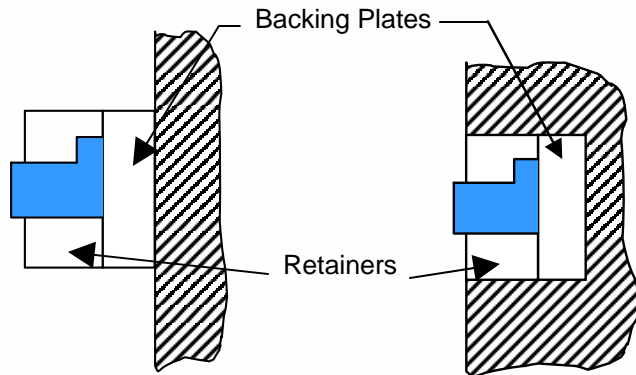
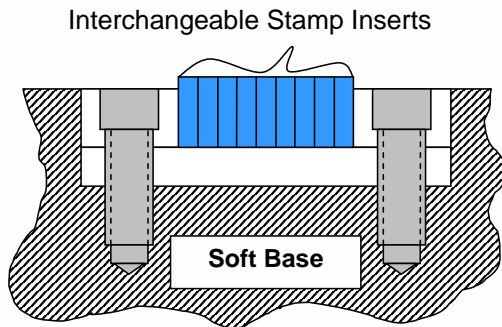
## Installation



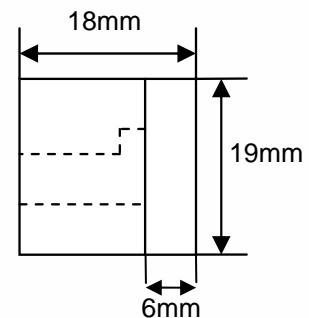
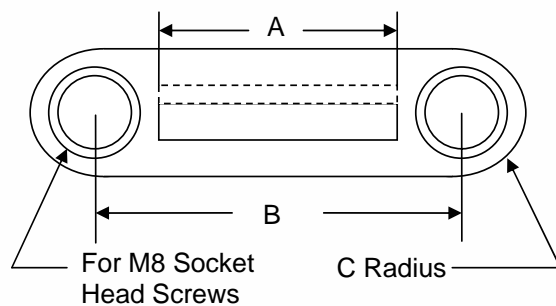
Formula For Determining Gap Width, Type Size, or Type Quantity:

Gap Width of Retainers (represented by "A" in dwgs.) ÷ Type Width \* = Quantity of Type Retainer Can Hold

\*Please note that type width is determined by desired character size



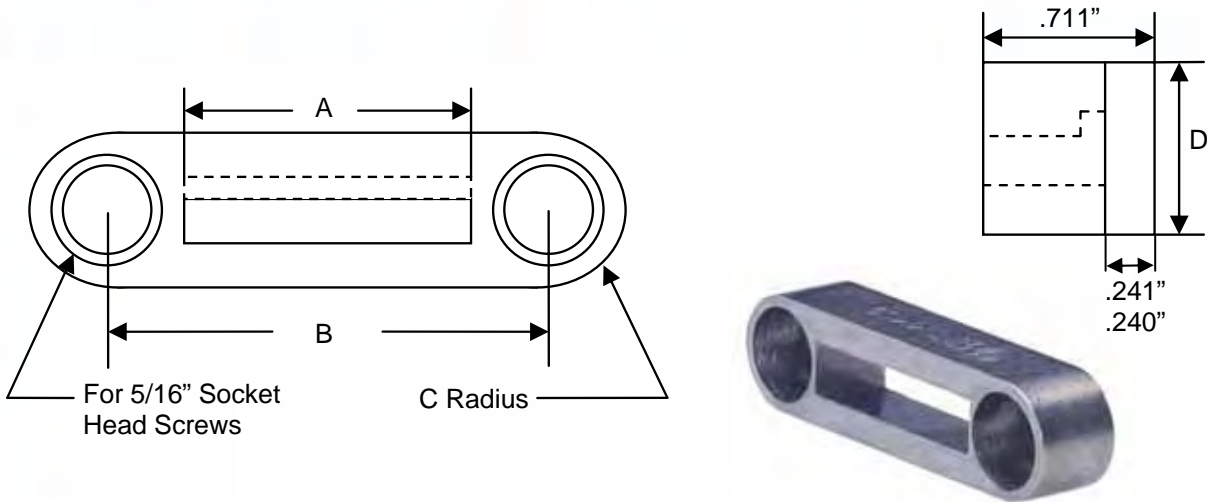
The retainer and backing plate set can be placed in a pocket or on a flat surface.



### Metric Retainers for L-Shaped Type

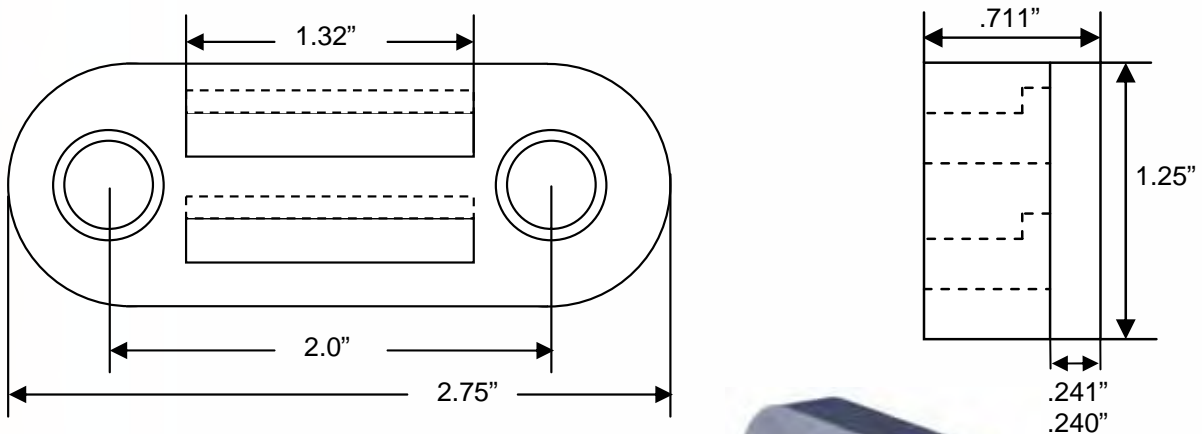
Retainer	A	B	C	Type Style (Holder Capacity)
CMMRN18R1900	40 mm	60 mm	9.5 mm	CMM018 (10)
CMMRN18R7810	48 mm	68 mm	9.5 mm	CMM018 (12)

## Retainers



## L-Shaped Type Retainers

Retainer	A	B	C	D	Type Style (Holder Capacity)
CMM101	1.31"	2.00"	.31"	.62"	CMM103 (7), CMM164 (8), CMM512 (8), CMM518 (8)
CMM510	1.64"	2.31"	.31"	.62"	CMM164 (10), CMM512 (10), CMM518 (10)
CMM412	2.25"	2.94"	.38"	.75"	CMM103 (12), CMM125 (18)
CMMRN18	1.10"	2.00"	.38"	.75"	CMM018 (7)

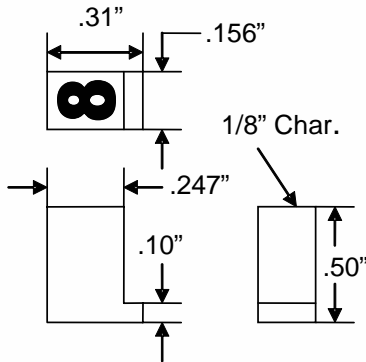


CMM106/CMM107 (retainer & backing plate set) holds (8) in each row of CMM512, CMM164, CMM518, and (7) in each row of CMM103.

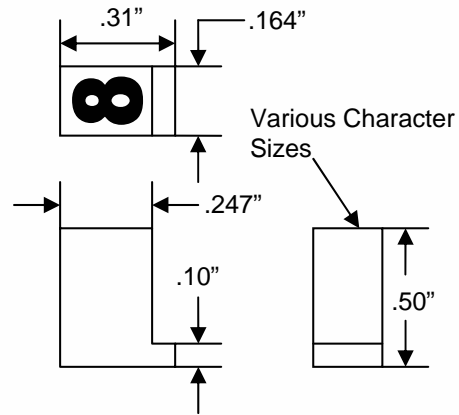
## L-Shaped Type



**CMM018** -1/8" character fits retainers CMMRN18, CMMRN18R1900 and CMMRN18R7810



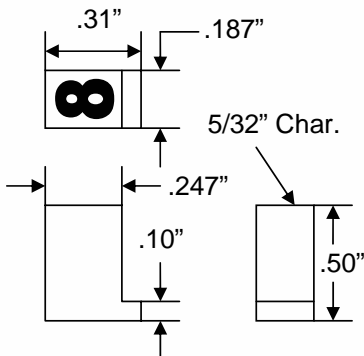
**CMM518**-3/16" character,  
**CMM164**-5/32" character and  
**CMM512**-1/8" character fits retainers  
CMM101, CMM106, CMM510



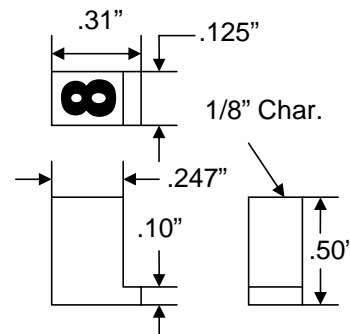
## MULTI-CHARACTER SEGMENT DIES AVAILABLE

CMT can manufacture any configuration of multi-character stamps for quick and easy change over of part numbers or codes.

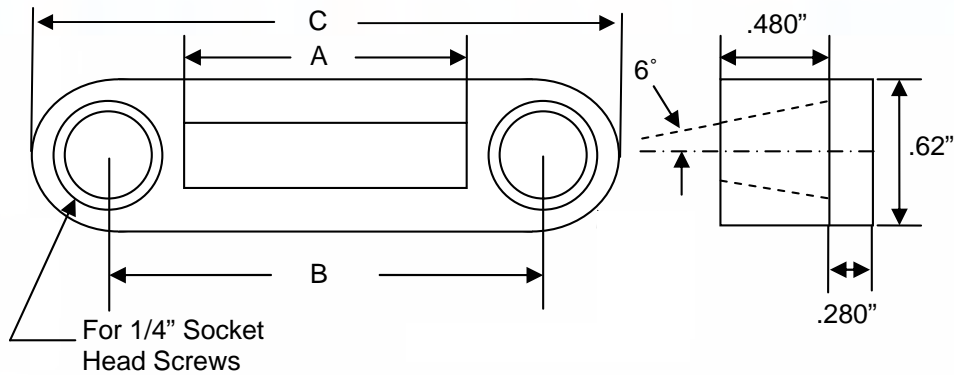
**CMM103** -5/32" character fits retainers CMM101, CMM412 and CMM106



**CMM125** -1/8" character fits retainers CMM412



## Retainers

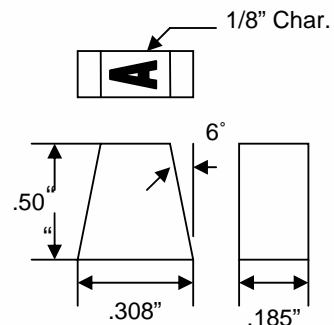


## Wedge Shaped Type Retainers

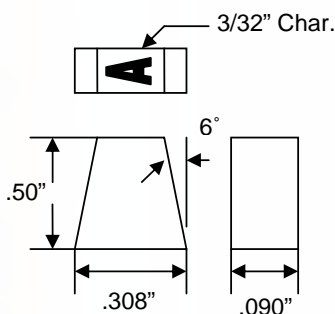
Retainer	A	B	C	Type Style (holder capacity)
CMM3	.562"	1.00"	1.50"	CMM180 (3), CMM090 (6)
CMM5	.936"	1.38"	1.88"	CMM180 (5), CMM090 (10)
CMM7	1.310"	1.75"	2.25"	CMM180 (7), CMM090 (14)
CMM9	1.683"	2.25"	2.75"	CMM180 (9), CMM090 (18)



### CMM180

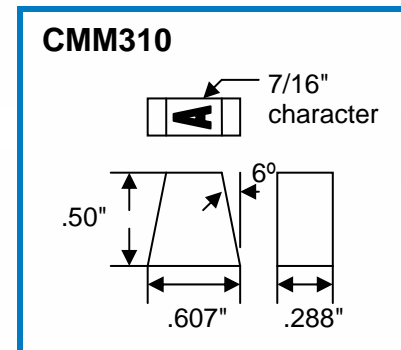
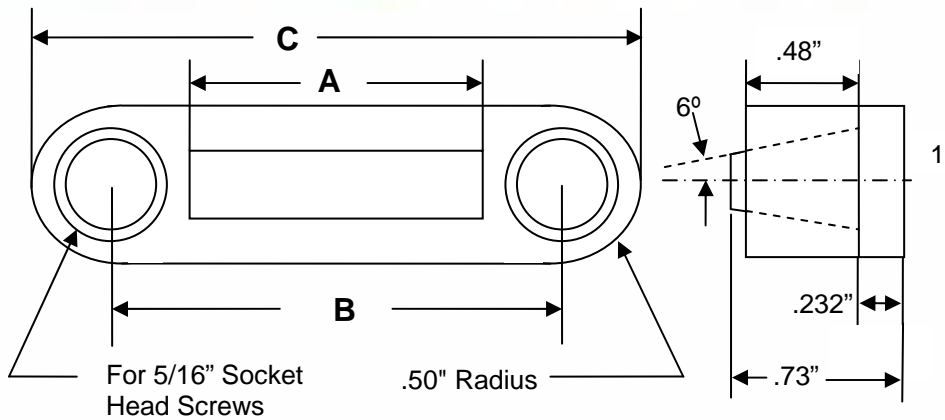


### CMM090



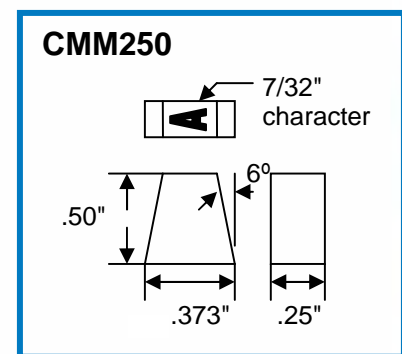
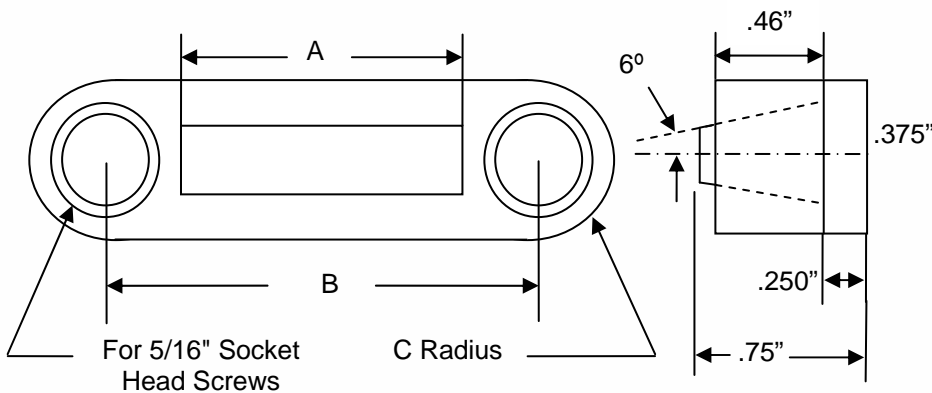
From A, B and C to your logo, CMT can engrave any marking legend onto custom die segments. For use in a stamping press or retainer system.

## Retainers



### Wedge Type Retainer for 7/16" Character

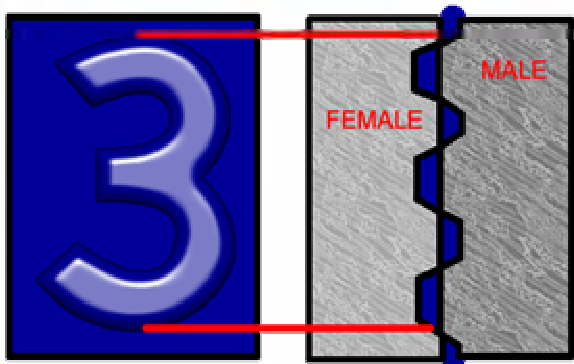
Retainer	A	B	C	Type Style (Holder Capacity)
CMM301	1.44"	2.00"	2.94"	CMM310 (5)
CMM306	1.73"	2.25"	3.25"	CMM310 (6)
CMM308	2.31"	3.06"	3.81"	CMM310 (8)



### Wedge Type Retainer for 7/32" Character

Retainer	A	B	C	Type Style (Holder Capacity)
CMM50	1.25"	1.81"	.31"	CMM250 (5)
CMM54	2.265"	2.88"	.38"	CMM250 (9)

## Embossing Dies



- When embossing must have sharp corners (example shown near right), height of emboss cannot exceed half of stock thickness.

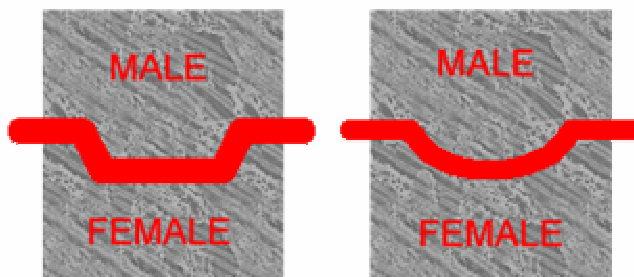
More gradual contours (example shown far right), permit embossing height to exceed full material thickness without shearing the sheet metal.

### Embossing verses Semi-coining

- **Embossing:** Embossing round face characters or designs produced on sheet metal having a thickness equal to 1/8 of the character or less.

The example to the left shows the final embossed mark, a raised three on the left hand side.

The right hand side shows the two dies required to make the mark: a female die for the top of the part, and a male die under the part.



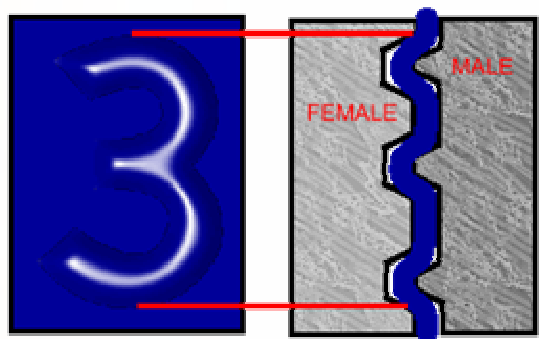
\* Figure 1

\*\* Figure 2

- **Semi-Coining:** Produces raised characters or designs on sheet metal having a thickness exceeding 1/8 the character height.

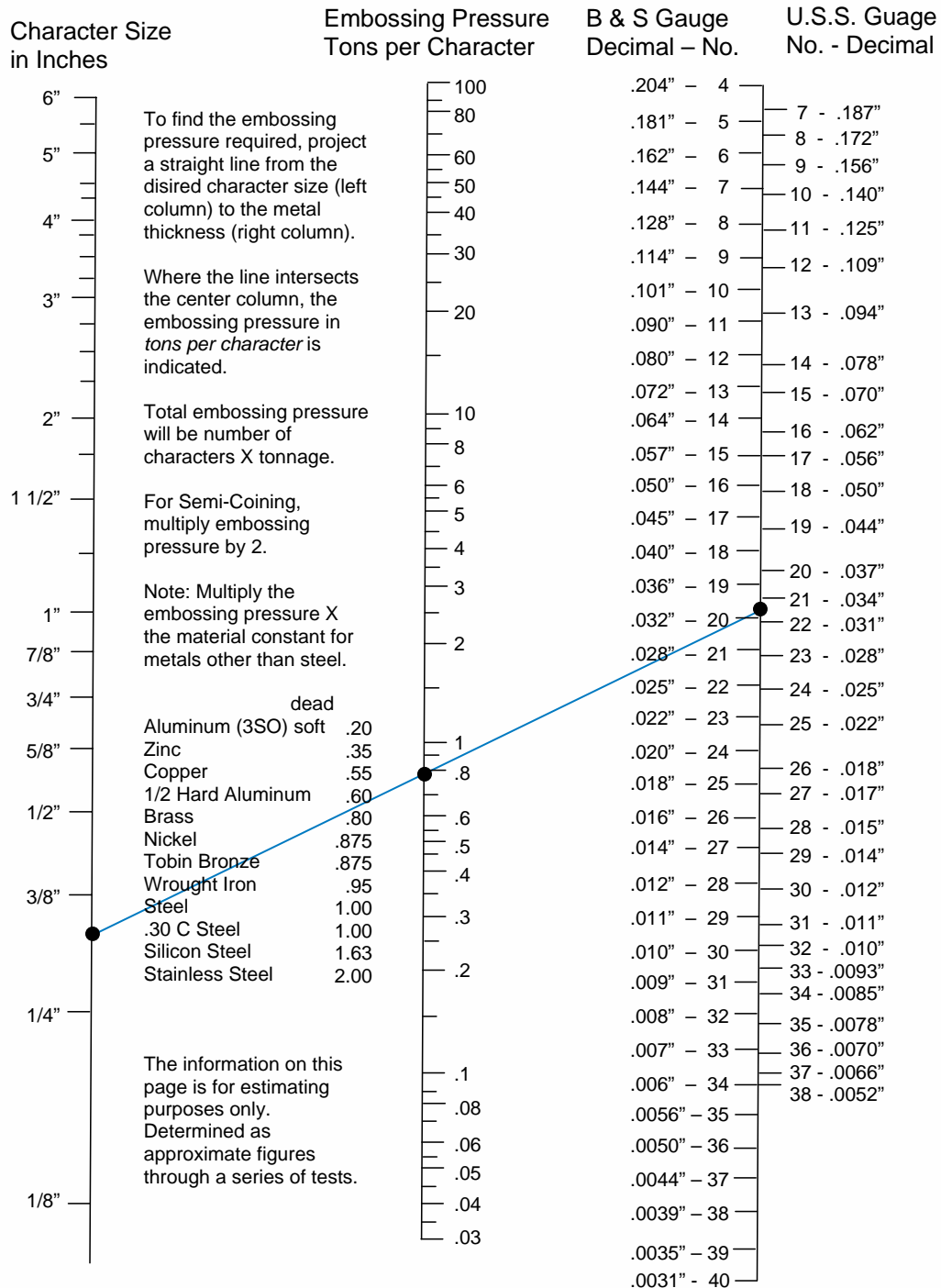
The example to the left shows the final semi-coined mark, a raised three on the left hand side.

The right hand side shows the two dies required to make the mark: a female die for the top of the part, and a male die under the part.





## Embossing Pressure Chart For Male and Female Dies



## Embossing Dies



- Embossing dies are made to order.

These dies are expertly engraved to produce any desired letters, numbers, graduations or logos. Die face is developed to conform to contour of parts.

Final embossed part: Harley Davidson exhaust pipe.

### Embossing Style Series

Char. Size	Catalog No.	
	Male	Female
1/8	CME13M	CME13F
5/32	CME16M	CME16F
3/16	CME19M	CME19F
1/4	CME25M	CME25F
5/16	CME31M	CME31F
3/8	CME38M	CME38F
1/2	CME50M	CME50F
5/8	CME62M	CME62F
3/4	CME75M	CME75F

- When requesting a quotation please provide both part information; material, shape and thickness, and mark information; logo and character size.

- Die Set - used to emboss the tailpipes of Harley-Davidson motorcycles.



- When embossing must have sharp corners\*, height of emboss cannot exceed half of stock thickness. More gradual contours\*\* permit embossing height to exceed full material thickness without shearing the sheet metal.

**Note:** See both \* Figure 1 and \*\* Figure 2 on page 32.

- Interchangeable embossing type is supplied in all character sizes and blank styles for press applications. CME type embosses sheet metal products such as cans, shells, drums, tanks, tags and nameplates. When inquiring, specify desired character size, kind and gage of metal embossed. If formed product is to be embossed, a sample or drawing is necessary.

## Type Boxes

### Steel Type Boxes

- Built of sturdy steel
- Comes with handle and pull down latch
- Finished with rust and acid resistant enamel
- Easy organization of type
- Dimensions of type boxes: 13 1/4" x 12" x 3"



### Steel Type Box

Model #	Bins
CMT149A	8
CMT149B	12
CMT149C	16
CMT149D	20
CMT149E	21
CMT149F	24
CMT149H	13 adjustable

### Wooden Type Boxes

- Sturdy wooden boxes
- Allows easy organization of type and holder
- Type Boxes for HG and H series hand holders
- Dimensions of type box #1: 2 1/4" x 7 1/2" x 7 7/8"
- Dimensions of type box #2: 2 1/2" x 9 7/8" x 9 7/8"



### Wooden Type Box

Model #	Character Size
TYPEBOX1	Type box to hold stamps with characters up to 5/32"
TYPEBOX2	Type box to hold stamps with 3/16" and larger characters

**Remember CMT for all your marking requirements.  
From Hand stamps to Lasers**

# CMT

**COLUMBIA  
MARKING  
TOOLS**



**Wide Range of Products:**  
Impact Markers  
Programmable Systems  
Dot-Peen & Scribe  
Laser  
Numbering Heads  
Roll Marking Machines  
Air & Hydraulic Presses  
Hot Stamping Systems & Machines  
Stamping Dies & Retainers  
Hand Tools



**27430 Luckino Dr  
Chesterfield MI 48047**

**586.949.8400  
586.949.8401 fax  
info@columbiamt.com**

**www.columbiamt.com**