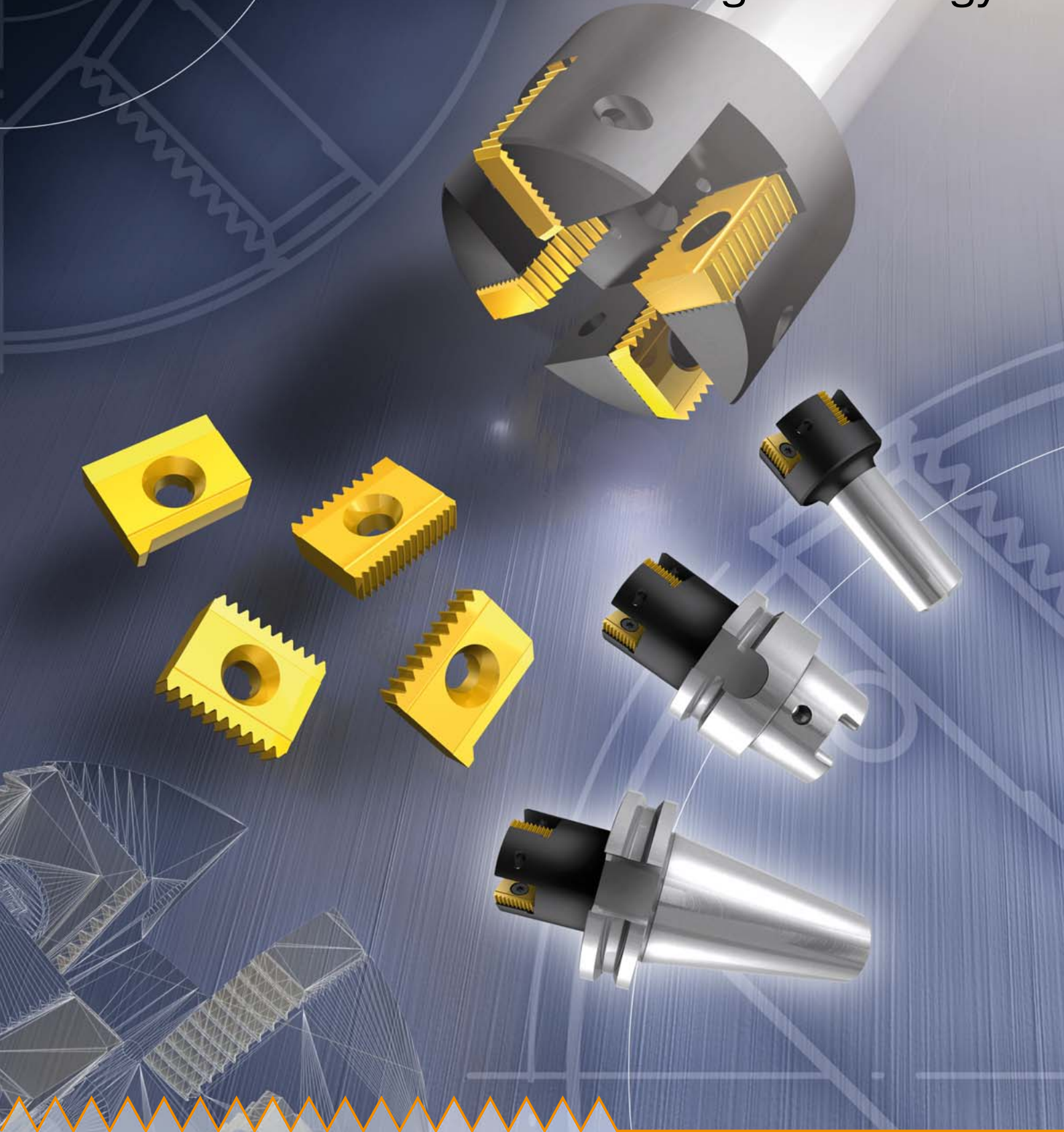


EMUGE

Thread Milling Technology



Bell-type thread milling cutter
with serrated inserts

Our new bell-type thread milling cutters are mainly used in the production of external threads, external contours, large internal threads and large internal contours. Due to a specially designed insert seat, the radial stop which is normally needed becomes superfluous, so the insert can be provided with a second cutting edge. This second milling edge can be provided with another profile and/or another thread pitch, for example. In this way, you can for instance produce different threads with just one bell-type milling cutter and a set of milling inserts.

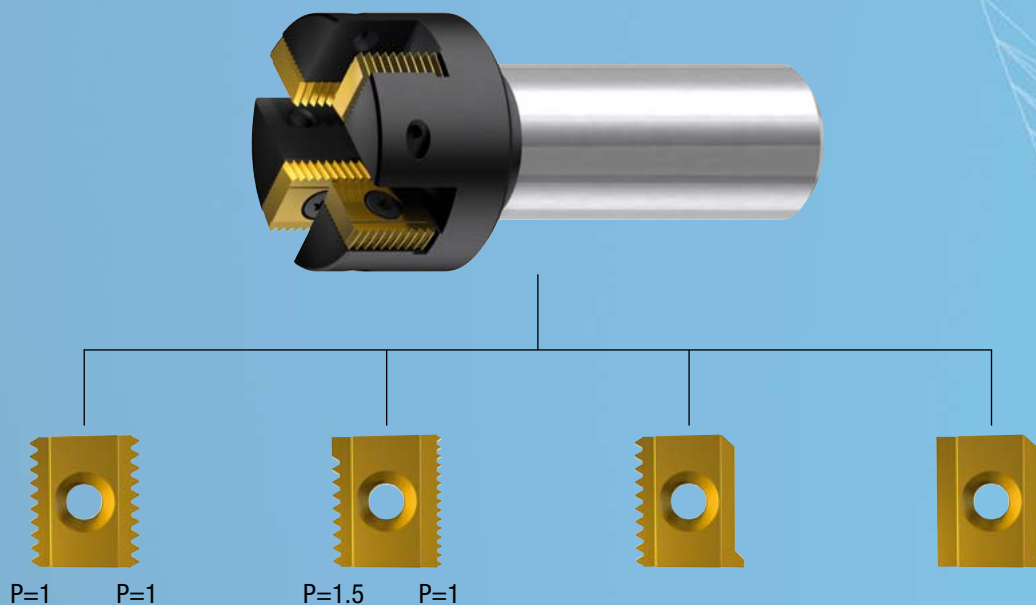
Application range:

Aluminium, aluminium alloys, cast materials, low- and high-alloyed steels up to 1400 N/mm², stainless steels, titanium, and a number of synthetic materials.

Advantages:

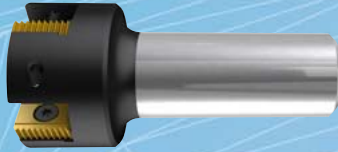
- Thread production almost independent of thread size and tolerance
- One tool only for right- and left-hand threads
- High reliability thanks to short chips
- Long tool life
- Repeated regrinding is possible
- Thread production down to the bottom of the hole / over the full bolt length
- Cost-efficient solution for small-series production
- Appropriate coatings for every application
- One holder only for both bolt and thread hole machining and for thread milling
- Variable diameters and lengths, adjusted perfectly to each individual application
- Internal coolant-lubricant supply
- High stability

Types of milling inserts:



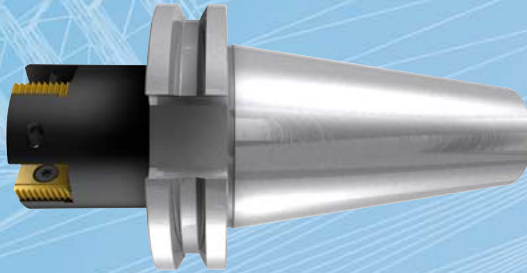
Shank types (examples):

Straight shanks



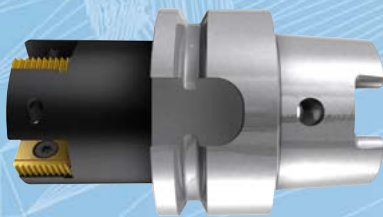
DIN 1835
ASME B94.19

ISO taper shanks



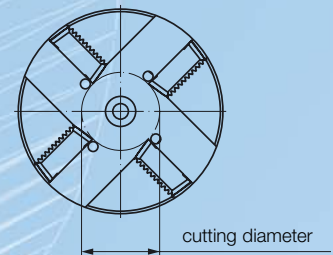
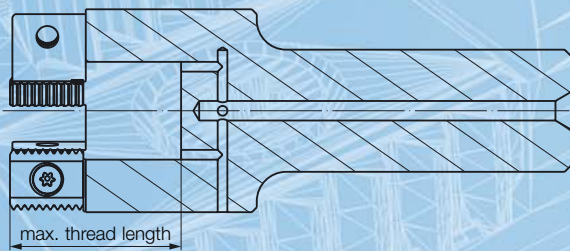
DIN 69871
ASME B5.50
JIS B 6339 (MAS 403 BT)

Hollow taper shanks

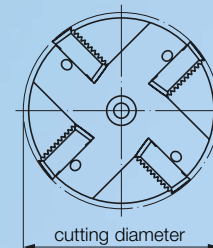
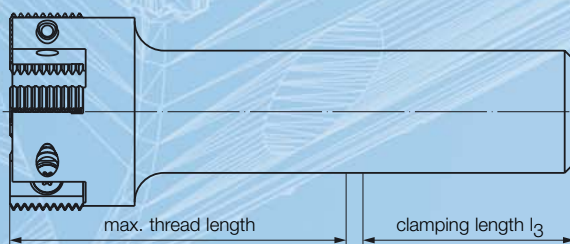


DIN 69893

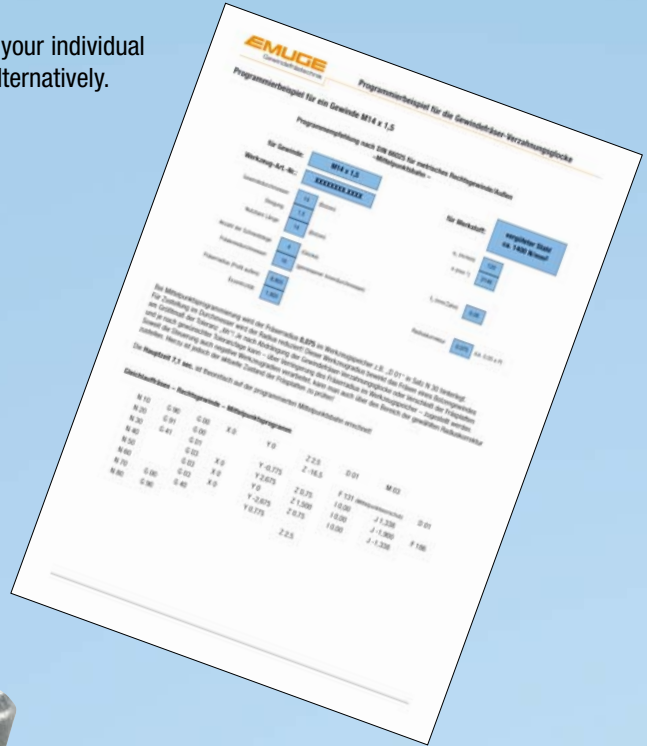
Design for external threads



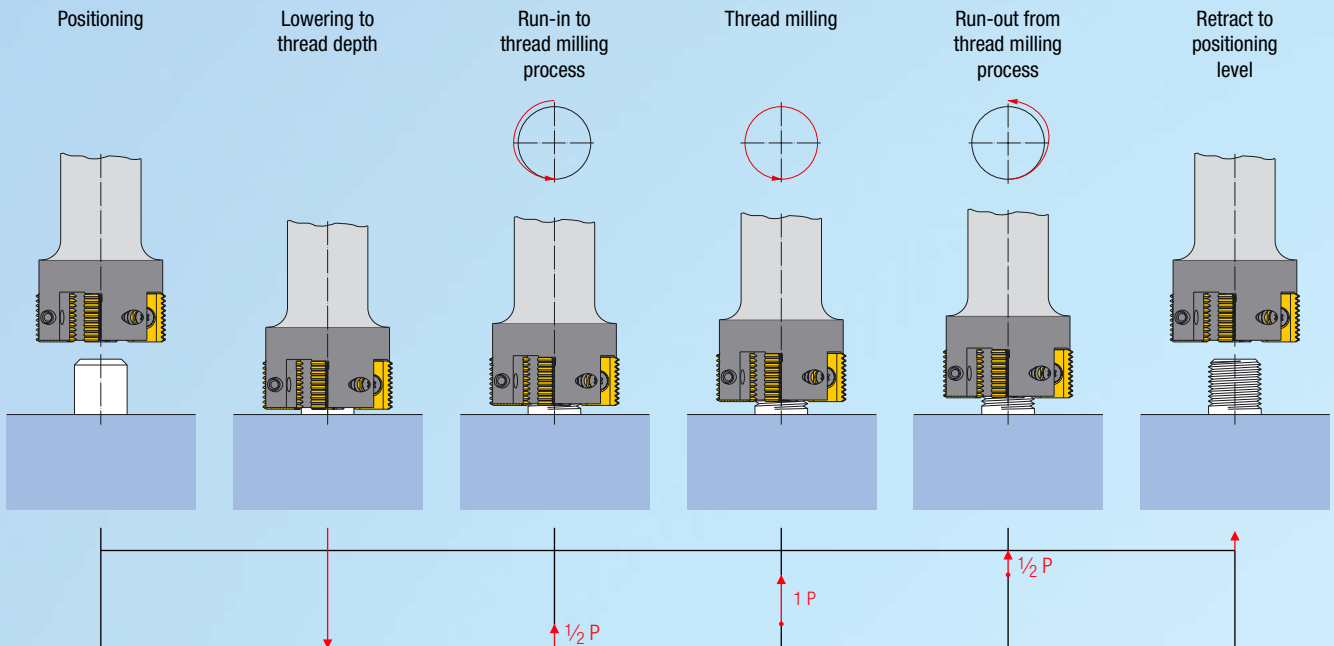
Design for internal threads



Upon request we can offer you programming instructions adjusted to your individual application. These are available for DIN and for Heidenhain controls alternatively.



Thread milling cycle:



Company:

 Contact:
 Phone:
 Fax:
 E-mail:

Size:
 Design:
 Article no.:
 Project:

Workpiece description:
 Workpiece material:

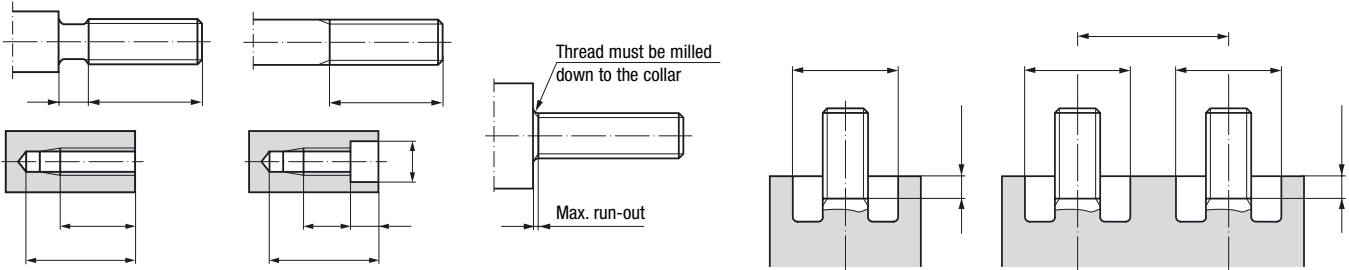
Ident no.:
 Tensile strength/hardness:

Work conditions:

Machine type:
 Control:
 Machining level:
 Tool holder:
 Cutting speed v_c : m/min
 Speed n : min^{-1}
 Tool life: (no. of threads)

Spindle adaptation:
 Hole type / bolt type:
 Coolant-lubricant:
 Pressure: bar Internal coolant-lubricant supply
 Feed values: f_z : mm
 f_s : mm
 f_b : mm

Application case – please fill in dimensional specifications



Result / special information:

Sketch:





AUSTRIA

EMUGE Präzisionswerkzeuge GmbHPummerinplatz 2 · 4490 St. Florian
Tel. +43-7224-80001 · Fax +43-7224-80004

BRAZIL

EMUGE-FRANKEN Ferramentas de Precisão Ltda.Av. Dom Pedro II, 288 – 11º Andar · Bairro Jardim - Santo André
São Paulo Brasil - CEP 09080-000
Tel. +55-11-4432-2811 · Fax +55-11-4436-3896

BELGIUM

EMUGE-FRANKEN B.V.Handelsstraat 28 · 6851EH Huissen · NETHERLANDS
Tel. +31-26-3259020 · Fax +31-26-3255219

CANADA

EMUGE Corp.1800 Century Drive · West Boylston, MA 01583-2121 · USA
Tel. +1-508-595-3600, +1-800-323-3013 · Fax +1-508-595-3650

CHINA

EMUGE-FRANKEN Precision Tools (Suzhou) Co. Ltd.No. 72, Loujiang Rd. · Weiting Town (Kuatang Sub-district)
Suzhou Industrial Park · 215122 Suzhou
Tel. +86-512-62860560 · Fax +86-512-62860561

CZECH REPUBLIC

EMUGE-FRANKEN servisní centrum, s.r.o.Molákova 8 · 62800 Brno-Líšeň
Tel. +420-5-44423261 · Fax +420-5-44233798

DENMARK

EMUGE-FRANKEN ABToldbodgade 18, 5.sal · 1253 København K
Tel. +45-70-257220 · Fax +45-70-257221

FINLAND

Emuge-Franken Cutting Tools OyHeikkiläntie 2A · 00210 Helsinki
Tel. +35-8-207415740 · Fax +35-8-207415749

FRANCE

EMUGE SARL2, Bd de la Libération · 93284 Saint Denis Cedex
Tel. +33-1-55872222 · Fax +33-1-55872229

GREAT BRITAIN

EMUGE U.K. Limited2 Claire Court, Rawmarsh Road · Rotherham S60 1RU
Tel. +44-1709-364494 · Fax +44-1709-364540

HUNGARY

EFT Szerszámok és Technológiák Magyarország Kft.Gyár u. 2 · 2040 Budaörs
Tel. +36-23-500041 · Fax +36-23-500462

INDIA

EMUGE IndiaPlot No.: 92 & 128, Kondhanpur, Taluka: Haveli · District Pune-412 205
Tel. +91-20-24384941 · Fax +91-20-24384028

ITALY

EMUGE-FRANKEN S. r. l.Via Carnevali, 116 · 20158 Milano
Tel. +39-02-39324402 · Fax +39-02-39317407

JAPAN

EMUGE-FRANKEN K. K.Nakamachidai 1-32-10-403 · Tsuzuki-ku Yokohamashi, 224-0041
Tel. +81-45-9457831 · Fax +81-45-9457832

LUXEMBOURG

Dirk Gerson OttoGässelweg 16a · 64572 Büttelborn · GERMANY
Tel. +49-6152-910330 · Fax +49-6152-910331

MALAYSIA

EMUGE-FRANKEN (Malaysia) SDN BHDNo. 603, 6th Fl., West Wing, Wisma Consplant II, No. 7
Jalan SS 16/1, Subang Jaya, Selangor Darul Ehsan
Tel. +60-3-56366407 · Fax +60-3-56366405

MEXICO

EMUGE Corp.1800 Century Drive · West Boylston, MA 01583-2121 · USA
Tel. +1-508-595-3600, +1-800-323-3013 · Fax +1-508-595-3650

NETHERLANDS

EMUGE-FRANKEN B.V.Handelsstraat 28 · 6851EH Huissen
Tel. +31-26-3259020 · Fax +31-26-3255219

NORWAY

Emuge Franken Teknik ASNedre Åsemulvegen 6 · 6018 Ålesund
Tel. +47-70169870 · Fax +47-70169872

POLAND

EMUGE-FRANKEN Technikul. Chłopickiego 50 · 04-275 Warszawa
Tel. +48-22-8796730 · Fax +48-22-8796760

PORTUGAL

EMUGE-FRANKENAv. António Augusto de Aguiar, nº 108 - 8º andar · 1050-019 Lisboa
Tel. +351-213146314 · Fax +351-213526092

ROMANIA

EMUGE-FRANKEN Tools Romania SRLStr. Tulcea, Nr. 24/3 · 400594 Cluj-Napoca
Tel. +40-264-597600 · Fax +40-264-597600

SLOVAK REPUBLIC

EMUGE-FRANKEN nástroje spol. s.r.o.Lubovníková 19 · 84107 Bratislava
Tel. +421-2-6453-6635 · Fax +421-2-6453-6636

SLOVENIA

EMUGE-FRANKEN tehnika d.o.o.Streliška ul. 25 · 1000 Ljubljana
Tel. +386-1-4301040 · Fax +386-1-2314051

SOUTH AFRICA

EMUGE S.A. (Pty.) Ltd.2, Tandela House, Cnr. 12th Ave. & De Wet Street · 1610 Edenvale
Tel. +27-11-452-8510/1/2/3/4 · Fax +27-11-452-8087

SPAIN

EMUGE-FRANKEN, S.L.Calle Frutuós Gelabert, 2-4 4º 1ª · 08970 Sant Joan Despí (Barcelona)
Tel. +34-93-4774690 · Fax +34-93-3738765

SWEDEN

EMUGE FRANKEN ABHagalundsvägen 43 · 70230 Örebro
Tel. +46-19-245000 · Fax +46-19-245005

SWITZERLAND

RIWAG Präzisionswerkzeuge AGWinkelbühl 4 · 6043 Adligenswil
Tel. +41-41-3708494 · Fax +41-41-3708220

THAILAND

EMUGE-FRANKEN (Thailand) co., ltd.1213/54 Ladphrao 94, Khwaeng/Khet Wangthonglang · Bangkok 10310
Tel. +66-2-559-2036, (-8) · Fax +66-2-530-7304

USA

EMUGE Corp.1800 Century Drive · West Boylston, MA 01583-2121
Tel. +1-508-595-3600, +1-800-323-3013 · Fax +1-508-595-3650**EMUGE-Werk Richard Glimpel GmbH & Co. KG · Fabrik für Präzisionswerkzeuge**

Nürnberger Straße 96-100 · 91207 Lauf · GERMANY · Tel. +49 (0) 9123 / 186-0 · Fax +49 (0) 9123 / 14313

FRANKEN GmbH & Co. KG · Fabrik für Präzisionswerkzeuge

Frankenstraße 7/9a · 90607 Rückersdorf · GERMANY · Tel. +49 (0) 911 / 9575-5 · Fax +49 (0) 911 / 9575-327

info@emuge-franken.com · www.emuge-franken.com · www.frankentechnik.de