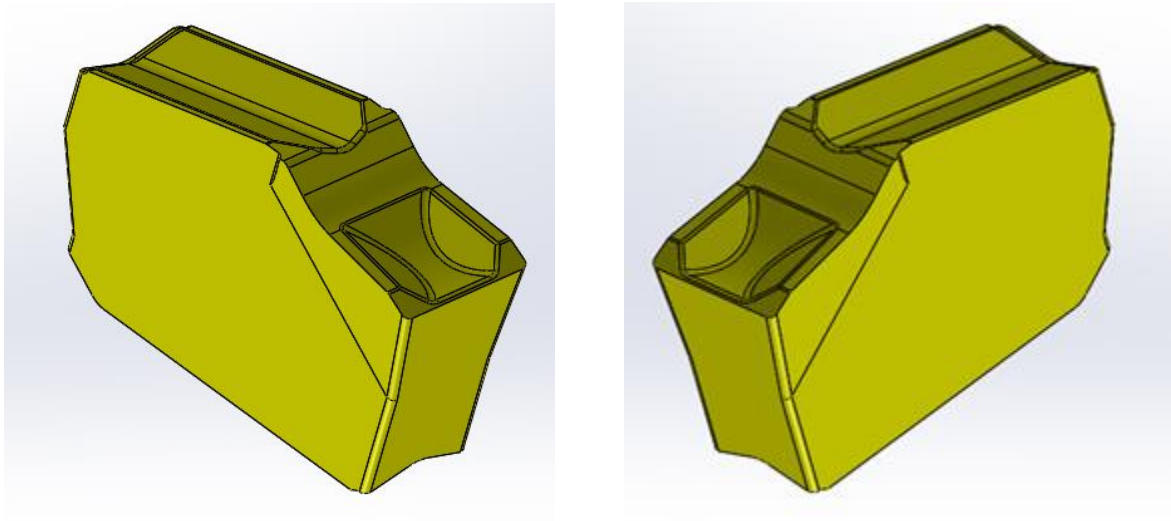


HORIZON CARBIDE TOOL



GTN CUTOFF INSERT CROSSOVERS & CUSTOM END FORMS

HORIZON HGTN 2.4, 3, 4.8 INSERT SIZES AVAILABLE

CALL OR EMAIL FOR A QUOTE TODAY!



2404 S. INDUSTRIAL PARK AVE. TEMPE, AZ 85282 TEL: 800-991-4225

customerservice@ahbinc.com