



HIPOSSFEEDV™

MILLING PRODUCTS

Cutter Series (Depth of Cut):
12J1A (90° = .19" / Hi-Feed = .02")

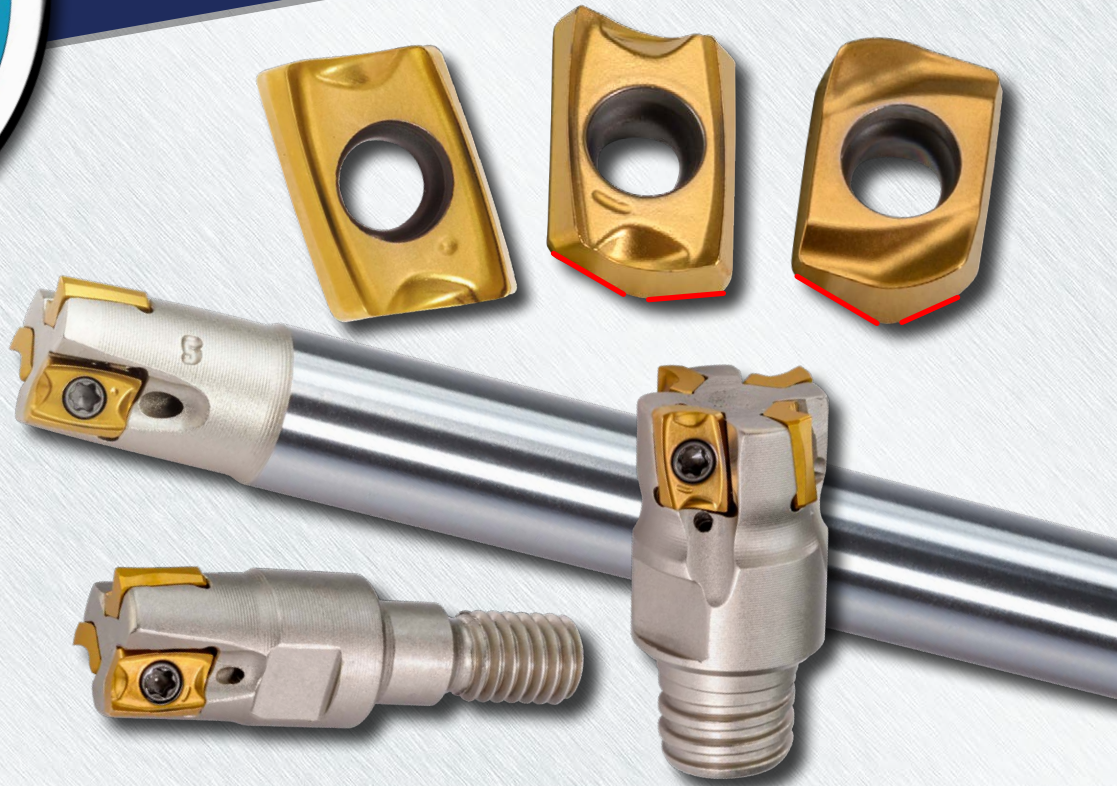
Insert Series:
90°: FNHT05, FNKT05
Hi-Feed: UNKT05

Diameter Range:
.250" - .500"

Adaptions:
Cylindrical, Weldon, Top-On
& Chip Surfer

Corner Radii:
.008"R & Hi-Feed

Materials:
Cast Iron, Steel, Stainless Steel,
High-Temp Alloys, Titanium &
Hard Steel



Mini-Sized 90° Shoulder Mill & Hi-Feed with Strong V-Shaped Insert

HiPosSFeedV is ideal for the small parts and miniature industry. When compared to solid carbide end mills, HiPosSFeedV offers the advantages of insert-indexing economy and productivity. Designed with versatility in mind, cutters are capable to ramp/interpolate and inserts are offered with three geometry options.

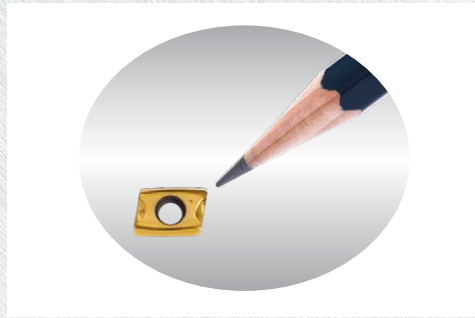
Features & Benefits:

- FNKT-M is for 90° roughing, FNKT-L is for 90° finishing with lower cutting forces & UNKT-HF is for Hi-Feed Roughing
- 90° and Hi-Feed inserts fit the same pockets
- Integrated wiper flats produce 32-63 Ra surface finishes
- V-Bottom pocket fosters easy insert indexing, increased core diameter and minimizes insert screw stress
- High cutter densities with small IC insert sizes
- All cutters are plumbed with coolant through the tool
- Economical solid carbide alternative!

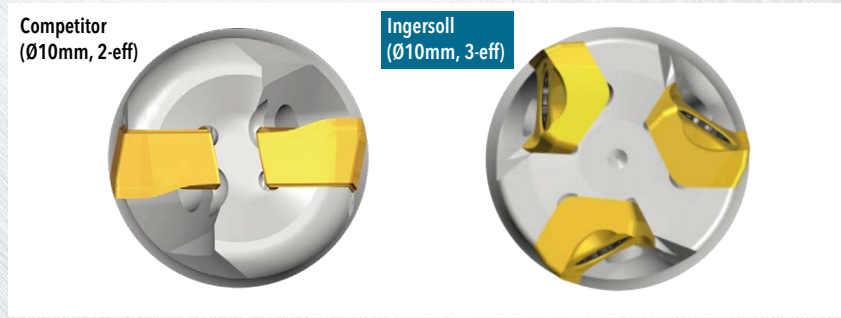


HIPOSSPEED[™] 05 FEATURES

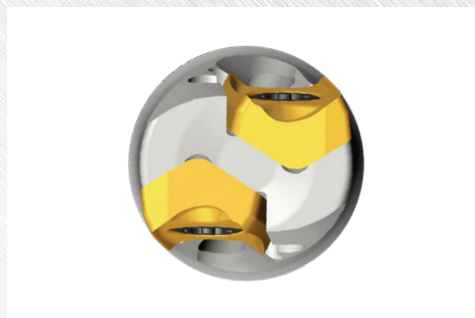
Small diameter with a strong edge



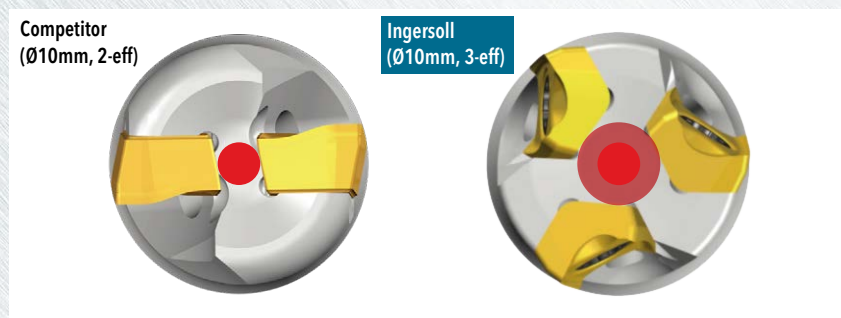
Finer pitch maximizes productivity compared to the competition



Min. holder dia. Ø6 (1-eff), Ø8 (2-eff)

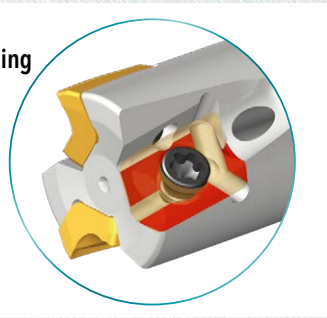
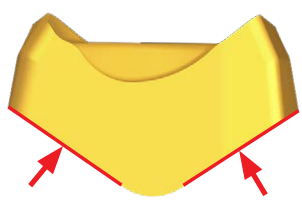


Stronger core diameter over the competitor's APKT type cutter

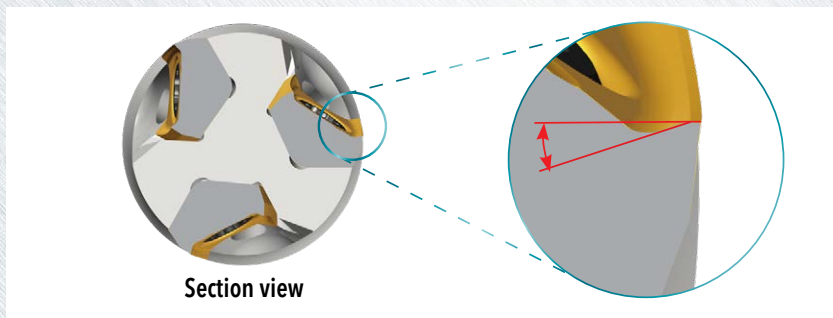


Unique V shape insert bottom design

- Increased insert rigidity
- Improved self-positioning for strong insert clamping



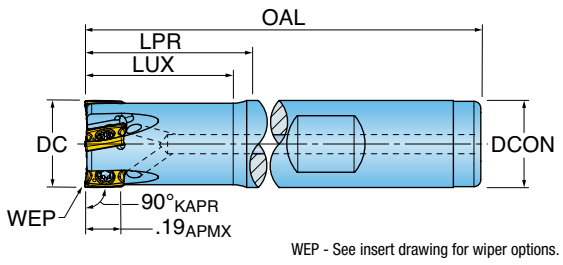
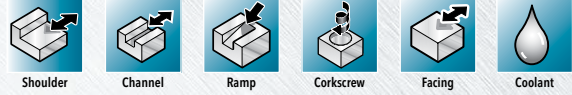
High-rake angle design reduces cutting loads, which results in excellent chip evacuation





HIPOSSPEED[™] V 05 SERIES 12J1A (WELDON SHANK)

90° END MILL (5MM INSERT)

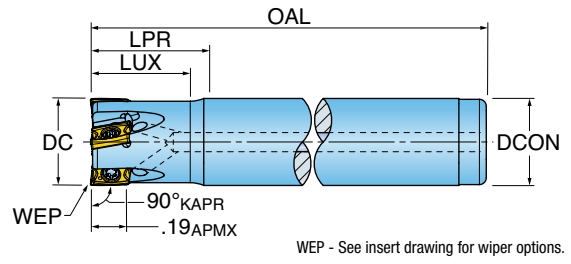
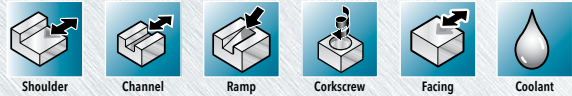


Part Number	DC Cutting Dia.	LUX Usable Length Max.	LPR Protruding Length	OAL Overall Length	ZEFF Eff. Teeth	DCON Shank Dia.
12J1A-0300977R01	0.375	0.90	0.94	2.50	3	0.375
12J1A-0400978R01	0.437	0.93	0.97	2.75	3	0.500
12J1A-0500978R01	0.500	0.93	0.97	2.75	4	0.500
12J1A-0501079R01	0.500	1.05	1.09	3.00	4	0.625

* When using Hi-Feed Insert, modify body corner to R.070.

HIPOSSPEED[™] V 05 SERIES 12J1A (CYLINDRICAL SHANK)

90° END MILL (5MM INSERT)



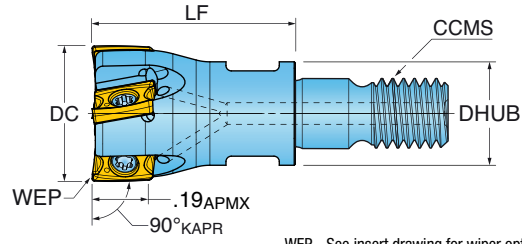
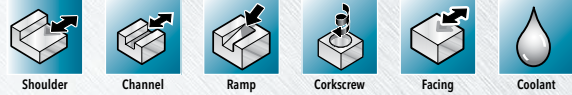
Part Number	DC Cutting Dia.	LUX Usable Length Max.	LPR Protruding Length	OAL Overall Length	ZEFF Eff. Teeth	DCON Shank Dia.
12J1A-02005R6R01	0.250	0.45	1.08	2.50	1	0.250
12J1A-03005R7R01	0.312	0.45	1.08	2.50	2	0.312
12J1A-03006R8R01	0.375	0.60	1.08	2.50	3	0.375
12J1A-04006S4R01	0.437	0.60	1.22	3.00	3	0.500
12J1A-05006S4R01	0.500	0.60	1.22	3.00	4	0.500

* When using Hi-Feed Insert, modify body corner to R.070.
Designed with modification in mind. Extend usable length by turning back the neck diameter or shorten the overall length by cutting off back end.



HIPOSSPEED[™] 05 SERIES 12J1A (TOP•ON STYLE)

90° MODULAR END MILL (5MM INSERT)



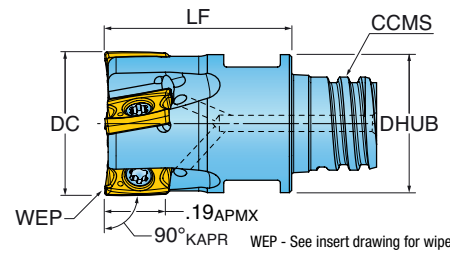
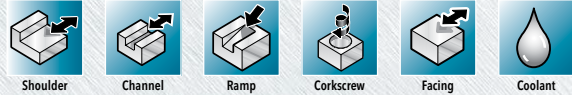
WEP - See insert drawing for wiper options.

Part Number	DC Cutting Diameter	APMX Depth of Cut Max.	LF Functional Length	ZEFF Effective Teeth	KAPR Cutting Edge Angle	CCMS Connection Code	DHUB Hub Diameter
12J1A-05007X4R01	0.500	0.190	0.75	4	90	TopOn M06	0.38

* When using Hi-Feed Insert, modify body corner to R.070.

HIPOSSPEED[™] 05 SERIES 12J1A (CHIPSURFER STYLE)

90° MODULAR END MILL (5MM INSERT)



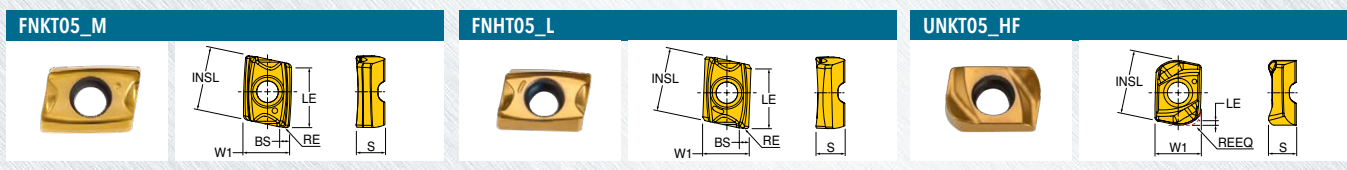
WEP - See insert drawing for wiper options.

Part Number	DC Cutting Diameter	LF Functional Length	ZEFF Effective Teeth	CCMS Connection Code	DHUB Hub Diameter
12J1A-03006T6R01	0.375	0.63	3	Chip Surfer T06	0.36
12J1A-05006T8R01	0.500	0.65	4	Chip Surfer T08	0.48

* When using Hi-Feed Insert, modify body corner to R.070.



HIPOSSPEED[™] 05 INSERTS



Part Number	Application	RE Corner Radius	BS Wiper Length	LE Cutting Edge Eff. Length	INSL Insert Length	W1 Insert Width	S Thickness	NOI Number of Indexes	IH Insert Hand	Grade	IN2505	IN2530	IN2005
FNKT050202R-M	Multi-Purpose	0.008	0.013	0.190	0.248	0.165	0.102	2	Right		•	•	
FNHT050202R-L	Multi-Purpose, Keen Edge	0.008	0.013	0.190	0.248	0.165	0.102	2	Right		•	•	•

Part Number	Application	REEQ Program Radius Equivalent	LE Cutting Edge Eff. Length	INSL Insert Length	W1 Insert Width	S Thickness	NOI Number of Indexes	IH Insert Hand	Grade	IN2505	IN2530	IN2504
UNKT0502TR-HF	Hi-Feed	0.030	0.019	0.216	0.165	0.098	2	Right		•	•	•

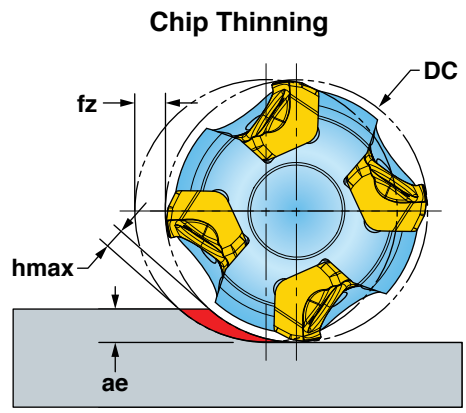
HIPOSSPEED[™] 05 HARDWARE

	Screw*	Driver	**OPTIONAL** Thin Wrench	**OPTIONAL** Torque Wrench	**OPTIONAL** Torque Driver Handle	**OPTIONAL** Torque Driver Bit	**OPTIONAL** Preset Torque Bit
12J1A-0300977R01	SM18-033-00	DS-TP06S-NEU	-	-	DS-A00-.25-S	DT-05-.25	DS-TP06B
12J1A-0400978R01	SM18-033-00	DS-TP06S-NEU	-	-	DS-A00-.25-S	DT-05-.25	DS-TP06B
12J1A-0500978R01	SM18-033-00	DS-TP06S-NEU	-	-	DS-A00-.25-S	DT-05-.25	DS-TP06B
12J1A-0501079R01	SM18-033-00	DS-TP06S-NEU	-	-	DS-A00-.25-S	DT-05-.25	DS-TP06B
12J1A-02005R6R01	SM18-033-00	DS-TP06S-NEU	-	-	DS-A00-.25-S	DT-05-.25	DS-TP06B
12J1A-03005R7R01	SM18-033-00	DS-TP06S-NEU	-	-	DS-A00-.25-S	DT-05-.25	DS-TP06B
12J1A-03006R8R01	SM18-033-00	DS-TP06S-NEU	-	-	DS-A00-.25-S	DT-05-.25	DS-TP06B
12J1A-04006S4R01	SM18-033-00	DS-TP06S-NEU	-	-	DS-A00-.25-S	DT-05-.25	DS-TP06B
12J1A-05006S4R01	SM18-033-00	DS-TP06S-NEU	-	-	DS-A00-.25-S	DT-05-.25	DS-TP06B
12J1A-05007X4R01	SM18-033-00	DS-TP06S-NEU	-	-	DS-A00-.25-S	DT-05-.25	DS-TP06B
12J1A-03006T6R01	SM18-033-00	DS-TP06S-NEU	WS-0029	DT-90-08	DS-A00-.25-S	DT-05-.25	DS-TP06B
12J1A-05006T8R01	SM18-033-00	DS-TP06S-NEU	WS-0030	DT-130-10	DS-A00-.25-S	DT-05-.25	DS-TP06B

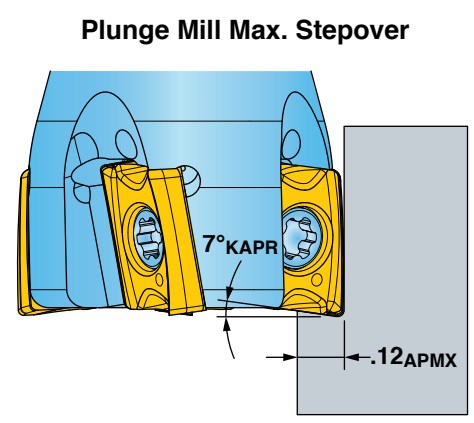
* Insert screw torque is 5.3 in. lbs.



HIPOSSPEED[™] 05 OPERATING GUIDELINES: 90° SHOULDER & PLUNGE (FNKT, FNHT)



* When ae is less than 25% DC, recommend use of Chip Thinning Calculator to ensure hmax is in fz range.

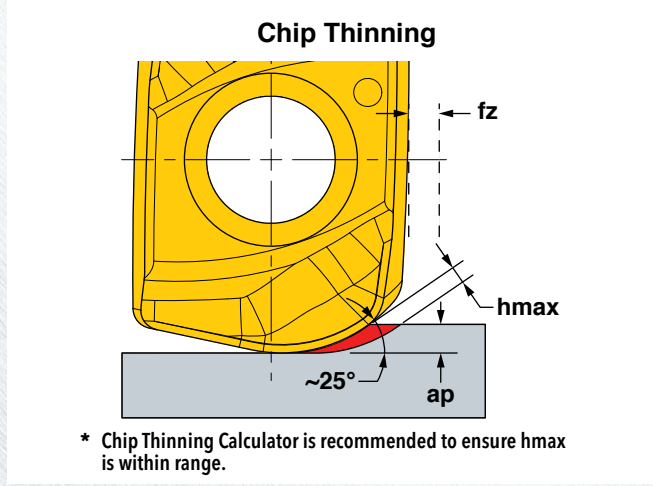


Materials				Vc Cutting Speed SFM	fz* Feed/Tooth (inch)	Harder Tougher			Coolant
ISO	Mat'l Group #VDI 3323	Type	Examples			IN2005	IN2505	IN2530	
P	1 thru 5	Non-alloy Steel	1018, A36, 1045, A572, 1070	400-1000	.0015-.0030	3	2	1	No
	6 thru 9	Low-alloy Steel	4140, 4340, P20, 8620, 300M	350-700					
	10, 11	High-alloy Steel	H13, A2, D2, M2, T1	300-600					
M	12 thru 13	Stainless Steel (Fer- ritic & Martensitic)	410, 416, 440	350-600	.0015-.0030	1	2	3	Yes
	14	Stainless Steel (Austenitic)	303, 304, 316, 15-5, 17-4	300-550					May not be required at high speeds
K	15 thru 16	Gray Cast Iron	CLS. 20, 30, 45	500-1000	.0015-.0030	1	2		No
	17 thru 20	Nodular Cast Iron	60-40-18, 100-70-03	400-800					
S	31 thru 35	High-Temp Alloys	Inconel, Hastelloy, Nimonic, Monel	65-150	.0015-.0030	1	2	3	Yes
	36 thru 37	Titanium Alloys	6Al-4V, 5Al-5Mo-5V-3Cr	85-200					
H	38 thru 39	Hardened Steel >48	A2, O1, D2	130-250	.0015-.0030	1	2		No

Note: Feed and speed recommendations are starting operating parameters. They are only guidelines from which further optimization should take place. Operating parameters are influenced by many machining variables. These variables may cause for reductions in feeds and speed or dramatic increases. Additionally, DOC and WOC may need to be revised to optimize the tools performance.



HIPOSSPEED[™] 05 OPERATING GUIDELINES: HI-FEED (UNKT)



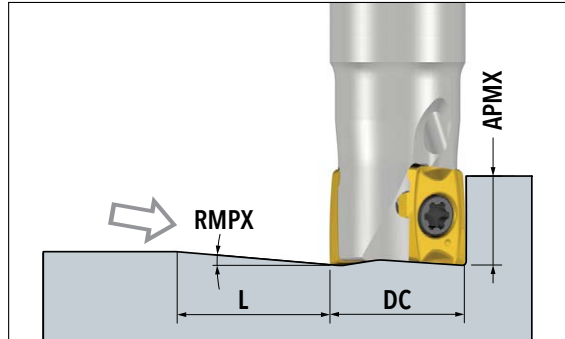
ISO	Materials			Vc Cutting Speed SFM	fz Feed/Tooth (inch)	ap Axial Depth of Cut (inch)	hmax* Chip Thickness (inch)	Harder Tougher			Coolant
	Mat'l Group #VDI 3323	Type	Examples					IN2504	IN2505	IN2530	
P	1 thru 5	Non-alloy Steel	1018, A36, 1045, A572, 1070	400-1000	.012-.025	.008-.016	.003-.009	1	2		No
	6 thru 9	Low-alloy Steel	4140, 4340, P20, 8620, 300M	350-700							
	10, 11	High-alloy Steel	H13, A2, D2, M2, T1	300-600							
M	12 thru 13	Stainless Steel (Ferritic & Martensitic)	410, 416, 440	350-600	.012-.020	.008-.016	.003-.008	2	1		Yes
	14	Stainless Steel (Austenitic)	303, 304, 316, 15-5, 17-4	300-550							
K	15 thru 16	Gray Cast Iron	CLS. 20, 30, 45	500-1000	.012-.025	.008-.016	.003-.009	1	2		No
	17 thru 20	Nodular Cast Iron	60-40-18, 100-70-03	400-800							
S	31 thru 35	High-Temp Alloys	Inconel, Hastelloy, Nimonic, Monel	65-150	.012-.020	.008-.016	.003-.009	2	1		Yes
	36 thru 37	Titanium Alloys	6Al-4V, 5Al-5Mo-5V-3Cr	85-200							
H	38 thru 39	Hardened Steel >48	A2, O1, D2	130-250	.012-.018	.008-.012	.003-.007	1	2		No

Note: Feed and speed recommendations are starting operating parameters. They are only guidelines from which further optimization should take place. Operating parameters are influenced by many machining variables. These variables may cause for reductions in feeds and speed or dramatic increases. Additionally, DOC and WOC may need to be revised to optimize the tools performance.

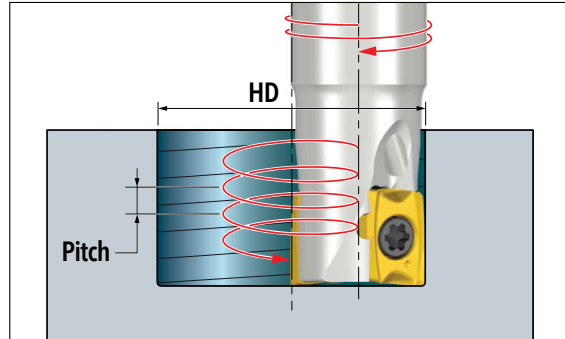


HIPOSSPEED[™] 05 RAMPING DATA: 90° (FNKT, FNHT)

Straight Ramping



Helical Ramping



DC Cutter Diameter	Straight Ramp			Helical Ramp		
	RMPX Ramp Angle Max.	APMX Depth of Cut Max.	L Ramp Length Min.	HD Hole Diameter Min.	HD Hole Diameter Max.	Pitch Max.
.250	2.5	.19	4.4	.25	.50	.004
						.026
.312	2.1	.19	5.3	.41	.62	.008
						.029
.375	1.7	.19	6.5	.53	.75	.015
						.029
.437	1.3	.19	8.5	.65	.87	.012
						.027
.500	1.1	.19	9.5	.78	1.00	.015
						.027

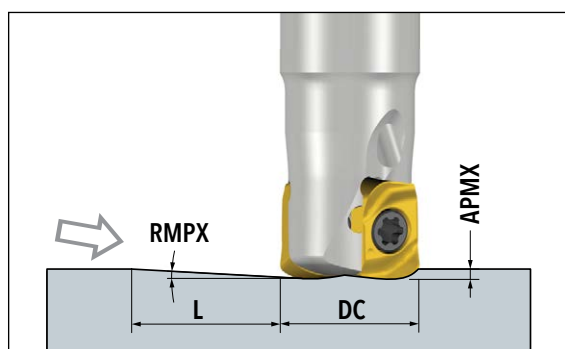


COMPLETE METALWORKING SOLUTIONS

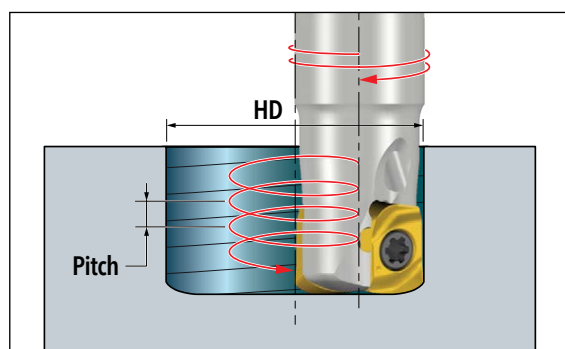
(800) 991-4225
www.ahbinc.com
ISO Certified
customerservice@ahbinc.com

HIPOSSPEED[®] V™ 05 RAMPING DATA: HI-FEED (UNKT05)

Straight Ramping

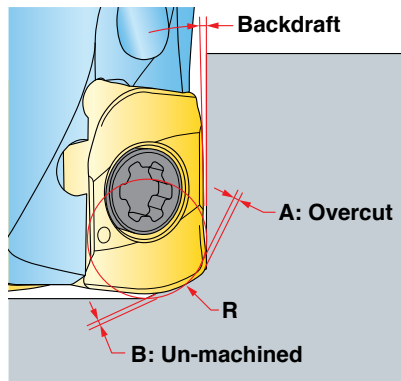


Helical Ramping



DC Cutter Diameter	Straight Ramp			Helical Ramp		
	RMPX Ramp Angle Max.	APMX Depth of Cut Max.	L Ramp Length Min.	HD Hole Diameter Min.	HD Hole Diameter Max.	Pitch Max.
.250	0.2	.019	5.6	.25	.50	.000
						.004
.312	0.4	.019	2.5	.41	.62	.004
						.007
.375	0.3	.019	3.5	.53	.75	.004
						.007
.437	0.3	.019	3.2	.65	.87	.004
						.007
.500	0.7	.019	1.4	.78	1.00	.010
						.020

HIPOSSPEED[®] V™ 05 PROGRAMMING DATA



Insert	R Program	A Overcut	B Un-machined
UNKT05	.030	0	.010
	.035	0	.007
	.040	.001	.005

A programmed radius of .030" is recommended.