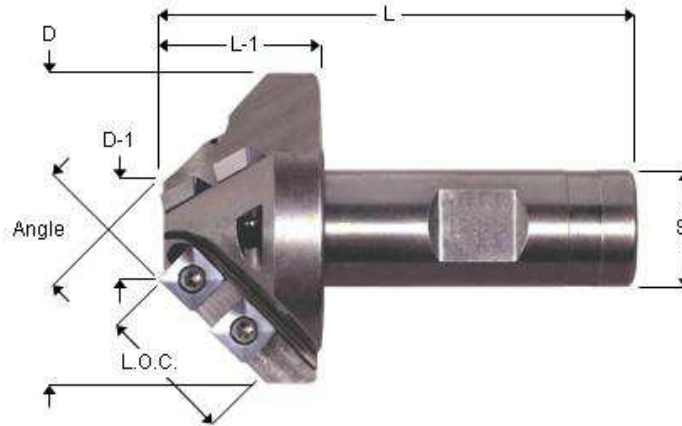




[Home](#) [Products](#) [Special Tools](#) [Tech Support](#) [Representatives](#) [About Us](#) [Contact Us](#)

[Back](#)

Long Edge Chamfer Mills Shank Tools



Speed & Feed Info

Tool #	Angle	Flutes	# of Inserts	D	D-1	L	L-1	L.O.C.	S	Insert	Screw	Wrench
CC-40	40	4 - 2 Eff.	8	2.030	1.386	3.125	1.125	.900	.750	SPEB-2522P	314T	T-8
CC-60	60	4 - 2 Eff.	8	2.030	1.090	3.062	1.062	.900	.750	SPEB-2522P	314T	T-8
CC-82	82	3 - 1 Eff.	6	2.030	.775	3.000	1.000	.900	.750	SPEB-2522P	314T	T-8
CC-90	90	3 - 1 Eff.	6	2.030	.660	3.000	1.000	.900	.750	SPEB-2522P	314T	T-8
CC-120	120	2 - 1 Eff.	4	2.030	.390	3.000	1.000	.900	.750	SPEB-2522P	314T	T-8