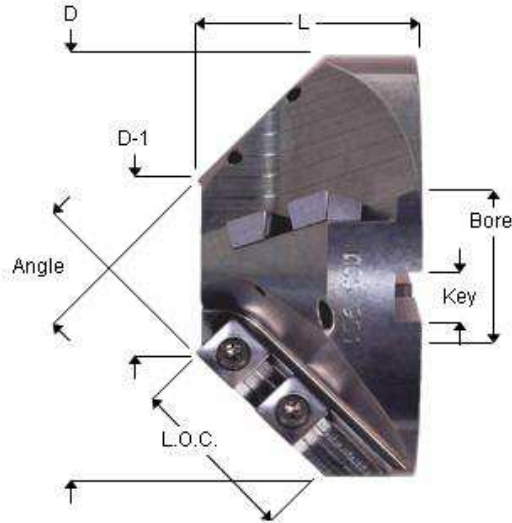




[Home](#) [Products](#) [Special Tools](#) [Tech Support](#) [Representatives](#) [About Us](#) [Contact Us](#)

[Back](#)

Long Edge Chamfer Mills Shell Mills



Speed & Feed Info

New
New

Tool #	Angle	Flutes	Inserts	D	D-1	L	L.O.C.	Bore	Key	Insert	Screw	Wrench
CCS-601	60	4 - 2 Eff.	8	3.000	1.840	1.625	1.130	1.000	.375	SPEB-332P	538T	T-10
CCS-602	60	4 - 2 Eff.	14	4.000	1.970	2.250	2.000	1.250	.500	SPEB-332P	538T	T-10
CCS-821	82	4 - 2 Eff.	8	3.250	1.718	1.625	1.130	1.000	.375	SPEB-332P	538T	T-10
CCS-822	82	4 - 2 Eff.	14	4.505	1.750	2.000	2.000	1.250	.500	SPEB-332P	538T	T-10
CCS-901	90	4 - 2 Eff.	8	2.985	1.250	1.500	1.130	.750	.312	SPEB-332P	538T	T-10
CCS-902	90	4 - 2 Eff.	14	4.720	1.750	2.000	2.000	1.250	.500	SPEB-332P	538T	T-10
CCS-1201	120	4 - 2 Eff.	8	3.625	1.580	1.625	1.130	1.000	.375	SPEB-332P	538T	T-10
CCS-1202	120	4 - 2 Eff.	14	5.375	1.820	2.000	2.000	1.250	.500	SPEB-332P	538T	T-10