



AHB

TOOLING & MACHINERY, INC.

KPC Series

Polygon Taper Shank Holders

COMPLETE METALWORKING SOLUTIONS

(800) 991-4225

ISO Certified

www.ahbinc.com

customerservice@ahbinc.com



Polygon Taper Shank with High Rigidity and High Precision

Polygon Taper Design and Dual Contact between the Taper and the Flange Face for High Rigidity

Locational Accuracy within $\pm 2\mu\text{m}$

Turning, Grooving, Cut-off and Threading Styles Available



KPC Series

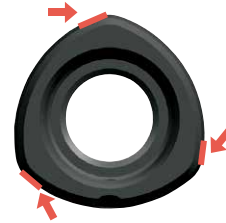
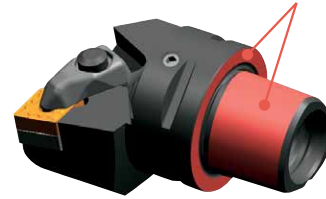
Polygon Taper Shank Holders

Polygon Taper Shank with High Rigidity and High Precision

PSC Shank Tools

JIS B 6066-1 Dual contact between polygon taper shank and the main spindle face
ISO26623-1 Polygonal taper interface with flange contact surface

Dual contact between taper face and flange face



Even distribution of force between 3 faces enhances rigidity and centering

1 High Rigidity

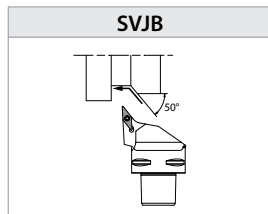
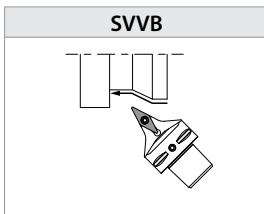
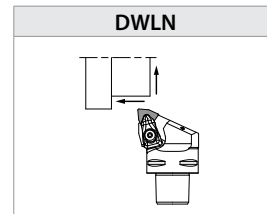
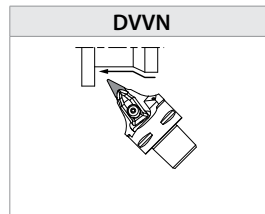
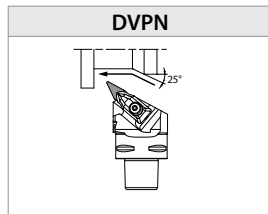
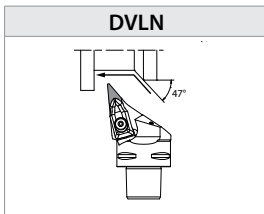
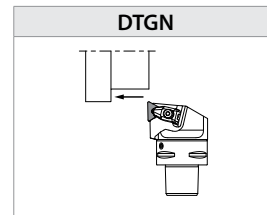
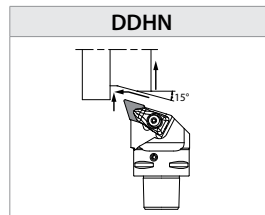
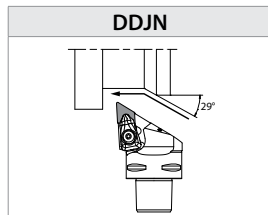
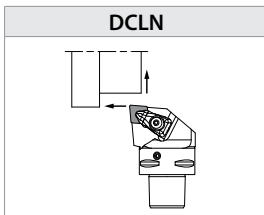
Polygon taper design and dual contact between the taper and the flange face for high rigidity

2 High Precision

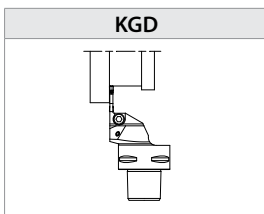
Locational accuracy within $\pm 2\mu\text{m}$

Distributes cutting forces evenly between 3 faces for enhanced rigidity and centering accuracy

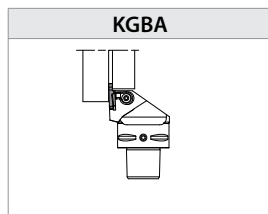
Turning



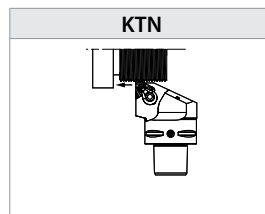
Grooving / Cut-Off



Shallow Grooving



Threading



Identification System (for External Holders)

KPC3	-	D	C	L	N	R	22	045	12	A
Interface Size	Clamping System	Insert Shape	Insert Relief Angle	Hand of Tool	Cutting Edge Offset	Toolholder Length (Length from Gauge Line)	Coolant Hole			
KPC3 : PSC32 DCSFMS=32mm	D : Double Clamp	C : 80° Diamond	B : 5°	R : Right-hand	WF Dimension	LF Dimension	A : With			
KPC4 : PSC40 DCSFMS=40mm	S : Screw Clamp	D : 55° Diamond	N : 0°	L : Left-hand			S : Without			
KPC5 : PSC50 DCSFMS=50mm		T : 30° Triangle		N : Neutral						
		V : 35° Diamond								
		W : 80° Trigon								

Cutting Edge Angle					
L	J	H	G	P	V
95°	93°	107.5°	90°	117.5°	72.5°

Insert Size			
C	D	T	V
L	L	L	L

DCLN (External / Facing)

Fig.1

Right-hand (R) Shown

Fig.2

Applicable Inserts

CN <input type="checkbox"/> A	43...
CN <input type="checkbox"/> G	
CN <input type="checkbox"/> M	

Side Rake Angle	-6°
Angle of Inclination	-6°

Toolholder Dimensions (Metric Size)

Part Number	Stock		Coolant Hole	Dimensions (mm)					Standard Corner-R (RE)	Drawing	Spare Parts					
	R	L		DCSFMS	LF	WF	DMIN1	DMIN2			Clamp	Screw	Spring	Shim	Shim Screw	Wrench
KPC3-DCLN ^{R/L} 22045-12A	<input type="radio"/>	<input type="radio"/>	No	32	45	22	60	121	0.8	Fig.1	CP-3D-S	CS-3D-TR	SP-3D	SP-441P *3 (SP-441P-C)	M3X8	FT-15
KPC4-DCLN ^{R/L} 27050-12A	<input type="radio"/>	<input type="radio"/>	Yes	40	50	27	110	140	0.8	Fig.1	CP-3D-S	CS-3D-TR	SP-3D	DC-44 *3 (DC-44-C)	SB-4085TR	FT-15
KPC5-DCLN ^{R/L} 35060-12A	<input type="radio"/>	<input type="radio"/>	No	50	60	35	110	165	0.8	Fig.1	CP-3D-S	CS-3D-TR	SP-3D	SP-441P *3 (SP-441P-C)	M3X8	FT-15
KPC3-DCLN ^{R/L} 22045-12S	<input type="radio"/>	<input type="radio"/>	No	32	45	22	60	121	0.8	Fig.2	CP-3D-S	CS-3D-TR	SP-3D	SP-441P *3 (SP-441P-C)	M3X8	FT-15
KPC4-DCLN ^{R/L} 27050-12S	<input type="radio"/>	<input type="radio"/>	No	40	50	27	110	140	0.8	Fig.2	CP-3D-S	CS-3D-TR	SP-3D	DC-44 *3 (DC-44-C)	SB-4085TR	FT-15
KPC5-DCLN ^{R/L} 35060-12S	<input type="radio"/>	<input type="radio"/>	No	50	60	35	110	165	0.8	Fig.2	CP-3D-S	CS-3D-TR	SP-3D	DC-44 *3 (DC-44-C)	SB-4085TR	FT-15

* 1 Pressure Resistance : up to 1,015 psi

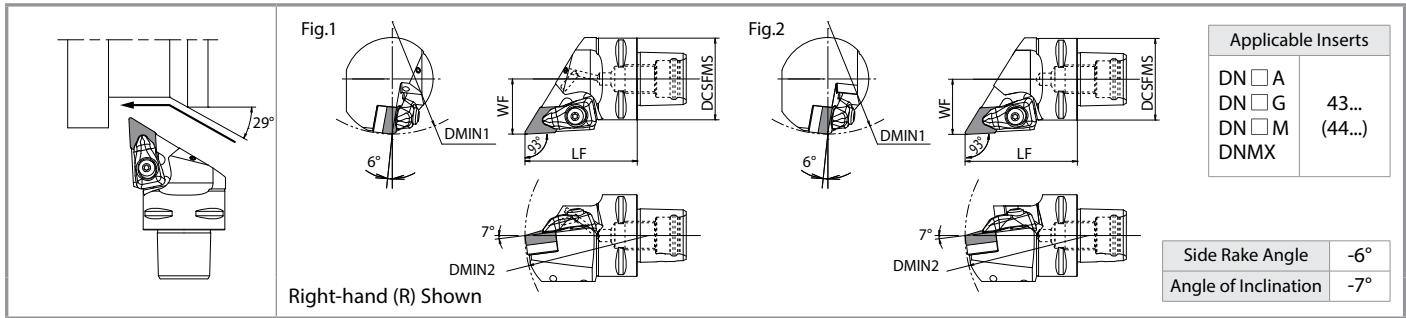
* 2 When using inserts with corner-R (RE) greater than 3/64" (1.2mm), additional modifications to the toolholder or shim may be necessary to prevent interference with workpiece

* 3 SX chipbreaker inserts require a different shim (sold separately)

* 4 Recommended tightening torque 3.9 Nm

○ : World Express (Shipping: 7-10 Business Days)

DDJN (External / Copying)



Toolholder Dimensions (Metric Size)

Part Number	Stock		Coolant Hole	Dimensions (mm)					Standard Corner-R (RE)	Drawing	Spare Parts											
	R	L		DCSFMS	LF	WF	DMIN1	DMIN2			Clamp	Screw	Spring	Shim	Shim Screw	Wrench						
	KPC3-DDJN $\frac{R}{L}$ 22050-15A	○		○		32	50	22			110	121	0.8	Fig.1								
KPC4-DDJN $\frac{R}{L}$ 27055-15A	○	○	Yes	40	55	27	110	145	CP-3D-S	CS-3D-TR	SP-3D	DD-44 *3 (DD-43)									SB-4085TR	FT-15
KPC5-DDJN $\frac{R}{L}$ 35060-15A	○	○		50	60	35	110	165														
KPC3-DDJN $\frac{R}{L}$ 22050-15S	○	○		32	50	22	110	121	0.8	Fig.2												
KPC4-DDJN $\frac{R}{L}$ 27055-15S	○	○	No	40	55	27	110	145									CP-3D-S	CS-3D-TR	SP-3D	DD-44 *3 (DD-43)	SB-4085TR	FT-15
KPC5-DDJN $\frac{R}{L}$ 35060-15S	○	○		50	60	35	110	165														

*1 Pressure Resistance : up to 1,015 psi

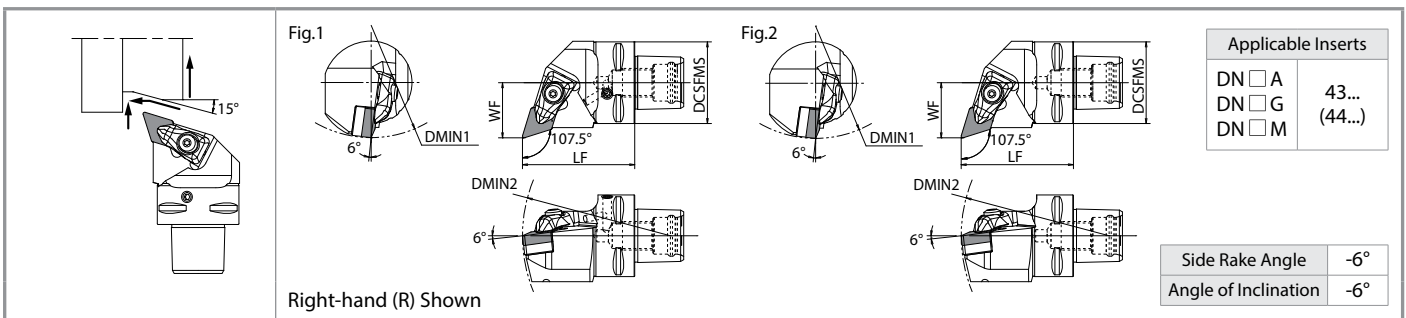
*2 When using inserts with corner-R (RE) greater than 3/64" (1.2mm), additional modifications to the toolholder or shim may be necessary to prevent interference with workpiece

*3 Shims in parentheses () must be purchased separately for thicker inserts

*4 Recommended tightening torque 3.9 Nm

○ : World Express (Shipping: 7-10 Business Days)

DDHN (External / Facing / Copying)



Toolholder Dimensions (Metric Size)

Part Number	Stock		Coolant Hole	Dimensions (mm)					Standard Corner-R (RE)	Drawing	Spare Parts											
	R	L		DCSFMS	LF	WF	DMIN1	DMIN2			Clamp	Screw	Spring	Shim	Shim Screw	Wrench						
	KPC3-DDHN $\frac{R}{L}$ 22050-15A	○		○		32	50	22			110	121	0.8	Fig.1								
KPC4-DDHN $\frac{R}{L}$ 27055-15A	○	○	Yes	40	55	27	110	145	CP-3D-S	CS-3D-TR	SP-3D	DD-44 *3 (DD-43)									SB-4085TR	FT-15
KPC5-DDHN $\frac{R}{L}$ 35060-15A	○	○		50	60	35	110	165														
KPC3-DDHN $\frac{R}{L}$ 22050-15S	○	○		32	50	22	110	121	0.8	Fig.2												
KPC4-DDHN $\frac{R}{L}$ 27055-15S	○	○	No	40	55	27	110	145									CP-3D-S	CS-3D-TR	SP-3D	DD-44 *3 (DD-43)	SB-4085TR	FT-15
KPC5-DDHN $\frac{R}{L}$ 35060-15S	○	○		50	60	35	110	165														

*1 Pressure Resistance : up to 1,015 psi

*2 When using inserts with corner-R (RE) greater than 3/64" (1.2mm), additional modifications to the toolholder or shim may be necessary to prevent interference with workpiece

*3 Shims in parentheses () must be purchased separately for thicker inserts

*4 Recommended tightening torque 3.9 Nm

○ : World Express (Shipping: 7-10 Business Days)

DTGN (External)

Applicable Inserts	
TN <input type="checkbox"/> A	33...
TN <input type="checkbox"/> G	
TN <input type="checkbox"/> M	
TNMX	

Side Rake Angle	-6°
Angle of Inclination	-6°

Right-hand (R) Shown

Toolholder Dimensions (Metric Size)

Part Number	Stock		Coolant Hole	Dimensions (mm)				Standard Corner-R (RE)	Drawing	Spare Parts														
	R	L		DCSFMS	LF	WF	DMIN1			DMIN2	Clamp	Screw	Spring	Shim	Shim Screw	Wrench	Wrench (Sold Separately)							
KPC3-DTGN $\frac{R}{L}$ 22040-16A	<input type="radio"/>	<input type="radio"/>		32	40	22	110	116	0.8	Fig.1														
KPC4-DTGN $\frac{R}{L}$ 27050-16A	<input type="radio"/>	<input type="radio"/>	Yes	40	50	27	110	140										CP-2D	CS-2D	SP-2D	DT-32	SB-3080TR	LW-2.5	FT-10
KPC5-DTGN $\frac{R}{L}$ 35060-16A	<input type="radio"/>	<input type="radio"/>		50	60	35	110	165																
KPC3-DTGN $\frac{R}{L}$ 22040-16S	<input type="radio"/>	<input type="radio"/>		32	40	22	110	116	0.8	Fig.2														
KPC4-DTGN $\frac{R}{L}$ 27050-16S	<input type="radio"/>	<input type="radio"/>	No	40	50	27	110	140										CP-2D	CS-2D	SP-2D	DT-32	SB-3080TR	LW-2.5	FT-10
KPC5-DTGN $\frac{R}{L}$ 35060-16S	<input type="radio"/>	<input type="radio"/>		50	60	35	110	165																

*1 Pressure Resistance : up to 1,015 psi

*2 When using inserts with corner-R (RE) greater than 1/16" (1.6mm), additional modifications to the toolholder or shim may be necessary to prevent interference with workpiece

*3 Recommended tightening torque 3.9 Nm

○ : World Express (Shipping: 7-10 Business Days)

DVLN (External / Copying)

Applicable Inserts	
VN <input type="checkbox"/> A	33...
VN <input type="checkbox"/> G	
VN <input type="checkbox"/> M	

Side Rake Angle	-6°
Angle of Inclination	-9°

Right-hand (R) Shown

Toolholder Dimensions (Metric Size)

Part Number	Stock		Coolant Hole	Dimensions (mm)				Standard Corner-R (RE)	Drawing	Spare Parts												
	R	L		DCSFMS	LF	WF	DMIN1			DMIN2	Clamp	Screw	Spring	Shim	Shim Screw	Wrench						
KPC3-DVLN $\frac{R}{L}$ 22058-16A	<input type="radio"/>	<input type="radio"/>		32	58	22	80	100	0.8	Fig.1												
KPC4-DVLN $\frac{R}{L}$ 27062-16A	<input type="radio"/>	<input type="radio"/>	Yes	40	62	27	80	100									CP-5D-S	CS-3D-TR	SP-3D	DV-33	SB-4085TR	FT-15
KPC5-DVLN $\frac{R}{L}$ 35065-16A	<input type="radio"/>	<input type="radio"/>		50	65	35	80	100														
KPC3-DVLN $\frac{R}{L}$ 22058-16S	<input type="radio"/>	<input type="radio"/>		32	58	22	80	100	0.8	Fig.2												
KPC4-DVLN $\frac{R}{L}$ 27062-16S	<input type="radio"/>	<input type="radio"/>	No	40	62	27	80	100									CP-5D-S	CS-3D-TR	SP-3D	DV-33	SB-4085TR	FT-15
KPC5-DVLN $\frac{R}{L}$ 35065-16S	<input type="radio"/>	<input type="radio"/>		50	65	35	80	100														

*1 Pressure Resistance : up to 1,015 psi

*2 When using inserts with corner-R (RE) greater than 3/64" (1.2mm), additional modifications to the toolholder or shim may be necessary to prevent interference with workpiece

*3 Recommended tightening torque 3.9 Nm

○ : World Express (Shipping: 7-10 Business Days)

DVPN (External / Facing / Copying / Undercutting)

Applicable Inserts	
VN <input type="checkbox"/> A	33...
VN <input type="checkbox"/> G	
VN <input type="checkbox"/> M	

Side Rake Angle	-13°
Angle of Inclination	-10°

Right-hand (R) Shown

Toolholder Dimensions (Metric Size)

Part Number	Stock			Coolant Hole	Dimensions (mm)						Standard Corner-R (RE)	Drawing	Spare Parts					
	R	L	Coolant Hole		DCSFMS	LF	WF	DMIN1	DMIN2	Clamp			Screw	Spring	Shim	Shim Screw	Wrench	
KPC3-DVPN $\frac{R}{L}$ 22055-16A	<input type="checkbox"/>	<input type="checkbox"/>			32	55	22	110	130	0.8	Fig.1							
KPC4-DVPN $\frac{R}{L}$ 27060-16A	<input type="checkbox"/>	<input type="checkbox"/>	Yes	40	60	27	110	145										
KPC5-DVPN $\frac{R}{L}$ 35065-16A	<input type="checkbox"/>	<input type="checkbox"/>		50	65	35	110	165										
KPC3-DVPN $\frac{R}{L}$ 22055-16S	<input type="checkbox"/>	<input type="checkbox"/>			32	55	22	110	130	0.8	Fig.2							
KPC4-DVPN $\frac{R}{L}$ 27060-16S	<input type="checkbox"/>	<input type="checkbox"/>	No	40	60	27	110	145										
KPC5-DVPN $\frac{R}{L}$ 35065-16S	<input type="checkbox"/>	<input type="checkbox"/>		50	65	35	110	165										

*1 Pressure Resistance : up to 1,015 psi

*2 When using inserts with corner-R (RE) greater than 3/64" (1.2mm), additional modifications to the toolholder or shim may be necessary to prevent interference with workpiece

*3 Recommended tightening torque 3.9 Nm

: World Express (Shipping: 7-10 Business Days)

DVNN (External / Copying)

Applicable Inserts	
VN <input type="checkbox"/> A	33...
VN <input type="checkbox"/> G	
VN <input type="checkbox"/> M	

Back Rake Angle	-11°
-----------------	------

Toolholder Dimensions (Metric Size)

Part Number	Stock			Coolant Hole	Dimensions (mm)						Standard Corner-R (RE)	Drawing	Spare Parts						
	R	N	L		DCSFMS	LF	WF	B1 ^{*3} (°)	B2 ^{*3} (°)	DMIN1			DMIN2	Clamp	Screw	Spring	Shim	Shim Screw	Wrench
KPC4-DVVNN00062-16A	<input type="checkbox"/>			Yes	40	62	0	61	63	-	152	0.8	Fig.1						
KPC5-DVVNN00065-16A	<input type="checkbox"/>				50	65	0	59	59	-	170								
KPC3-DVVNN00058-16S	<input type="checkbox"/>				32	58	0	68	68	-	140	0.8	Fig.2						
KPC4-DVVNN00062-16S	<input type="checkbox"/>			No	40	62	0	61	63	-	152								
KPC5-DVVNN00065-16S	<input type="checkbox"/>				50	65	0	59	59	-	170								

*1 Pressure Resistance : up to 1,015 psi

*2 When using inserts with corner-R (RE) greater than 3/64" (1.2mm), additional modifications to the toolholder or shim may be necessary to prevent interference with workpiece

*3 Angle B1 and B2 show the area of interference between the holder and the cutting edge

: World Express (Shipping: 7-10 Business Days)

DWLN (External / Facing)

Applicable Inserts	
WN <input type="checkbox"/> A	43...
WN <input type="checkbox"/> G	
WN <input type="checkbox"/> M	

Side Rake Angle	-6°
Angle of Inclination	-6°

Right-hand (R) Shown

Toolholder Dimensions (Metric Size)

Part Number	Stock		Coolant Hole	Dimensions (mm)					Standard Corner-R (RE)	Drawing	Spare Parts					
	R	L		DCSFMS	LF	WF	DMIN1	DMIN2			Clamp	Screw	Spring	Shim	Shim Screw	Wrench
	KPC3-DWLN ¹ / ₂ 22047-08A	<input type="radio"/>		<input type="radio"/>	Yes	32	47	22			110	121	0.8	Fig.1		
KPC4-DWLN ¹ / ₂ 27050-08A	<input type="radio"/>	<input type="radio"/>	40	50		27	110	140								
KPC5-DWLN ¹ / ₂ 35060-08A	<input type="radio"/>	<input type="radio"/>	50	60		35	110	165								
KPC3-DWLN ¹ / ₂ 22047-08S	<input type="radio"/>	<input type="radio"/>	No	32	47	22	110	121	0.8	Fig.2						
KPC4-DWLN ¹ / ₂ 27050-08S	<input type="radio"/>	<input type="radio"/>		40	50	27	110	140								
KPC5-DWLN ¹ / ₂ 35060-08S	<input type="radio"/>	<input type="radio"/>		50	60	35	110	165								

*1 Pressure Resistance : up to 1,015 psi
 *2 Recommended tightening torque 3.9 Nm

: World Express (Shipping: 7-10 Business Days)

SVVB (External / Copying)

Applicable Inserts	
VB <input type="checkbox"/>	33...
VCGT	

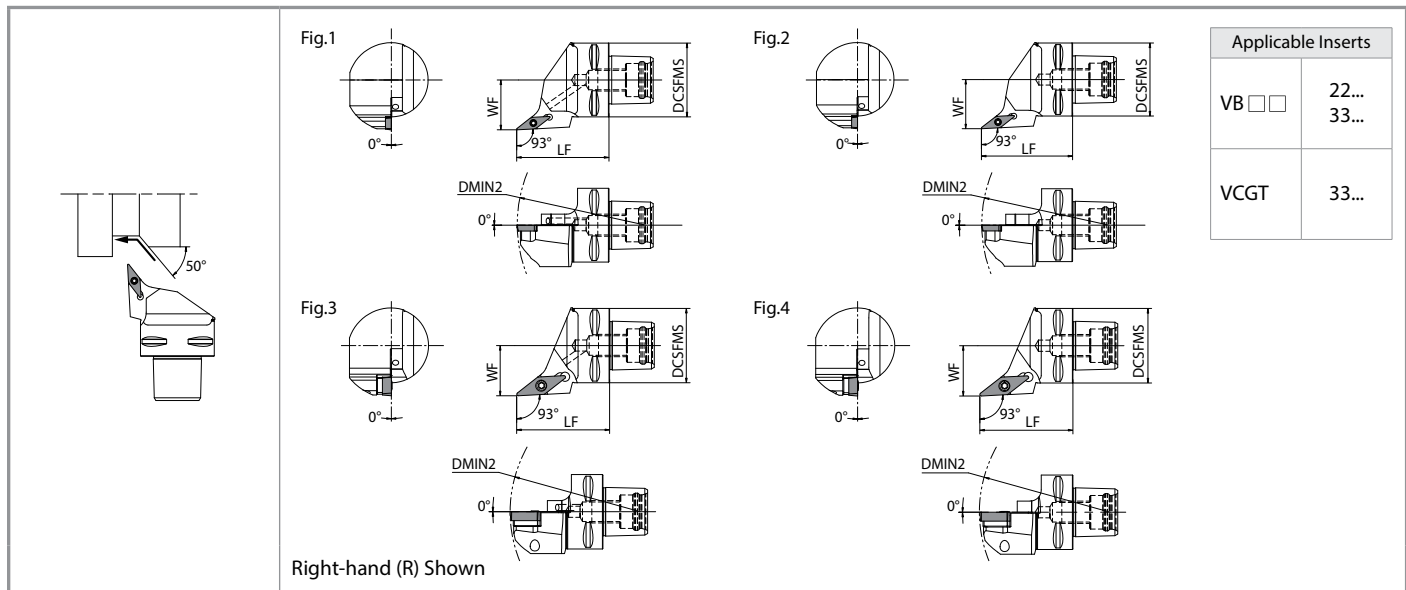
Toolholder Dimensions (Metric Size)

Part Number	Stock			Coolant Hole	Dimensions (mm)					Standard Corner-R (RE)	Drawing	Spare Parts						
	R	N	L		DCSFMS	LF	WF	B1 ³ (°)	B2 ³ (°)			DMIN1	DMIN2	Insert Screw	Wrench	Shim	Shim Screw	Wrench
	KPC3-SVVB N00048-16A	<input type="radio"/>	<input type="radio"/>		<input type="radio"/>	Yes	32	48	0			62	62	-	116	0.8	Fig.1	
KPC4-SVVB N00052-16A	<input type="radio"/>	<input type="radio"/>	<input type="radio"/>	40	52		0	59	59	-	140							
KPC5-SVVB N00060-16A	<input type="radio"/>	<input type="radio"/>	<input type="radio"/>	50	60		0	56	56	-	165							
KPC3-SVVB N00048-16S	<input type="radio"/>	<input type="radio"/>	<input type="radio"/>	No	32	48	0	62	62	-	116	0.8	Fig.2					
KPC4-SVVB N00052-16S	<input type="radio"/>	<input type="radio"/>	<input type="radio"/>		40	52	0	59	59	-	140							
KPC5-SVVB N00060-16S	<input type="radio"/>	<input type="radio"/>	<input type="radio"/>		50	60	0	56	56	-	165							

*1 Pressure Resistance : up to 1,015 psi
 *2 When using inserts with corner-R (RE) of 0.008" and 1/64" (0.2mm and 0.4mm), shim in parentheses is recommended (sold separately)
 *3 Angle B1 and B2 show the area of interference between the holder and the cutting edge
 *4 Recommended tightening torque 3.5 Nm

: World Express (Shipping: 7-10 Business Days)

SVJB (External / Copying)



Toolholder Dimensions (Metric Size)

Part Number	Stock		Coolant Hole	Dimensions (mm)					Standard Corner-R (RE)	Drawing	Spare Parts				
	R	L		DCSFMS	LF	WF	DMIN1	DMIN2			Insert Screw	Wrench	Shim	Shim Screw	Wrench
*1 KPC3-SVJB ^{R/L} 22040-11A	○	○	Yes	32	40	22	-	116	0.4	Fig.1	SB-2570TR	FT-8	-	-	-
*1 KPC4-SVJB ^{R/L} 27050-11A	○	○		40	50	27	-	140							
*1 KPC5-SVJB ^{R/L} 35060-11A	○	○		50	60	35	-	165							
*1 KPC3-SVJB ^{R/L} 22040-11S	○	○	No	32	40	22	-	116	0.4	Fig.2	SB-2570TR	FT-8	-	-	-
*1 KPC4-SVJB ^{R/L} 27050-11S	○	○		40	50	27	-	140							
*1 KPC5-SVJB ^{R/L} 35060-11S	○	○		50	60	35	-	165							
*2 KPC3-SVJB ^{R/L} 22047-16A	○	○	Yes	32	47	22	-	116	0.8	Fig.3	SB-40125TRN	FT-15	SVN-32N *3 (SVN-32S)	SS-4N	LW-4
*2 KPC4-SVJB ^{R/L} 27050-16A	○	○		40	50	27	-	140							
*2 KPC5-SVJB ^{R/L} 35060-16A	○	○		50	60	35	-	165							
*2 KPC3-SVJB ^{R/L} 22047-16S	○	○	No	32	47	22	-	116	0.8	Fig.4	SB-40125TRN	FT-15	SVN-32N *3 (SVN-32S)	SS-4N	LW-4
*2 KPC4-SVJB ^{R/L} 27050-16S	○	○		40	50	27	-	140							
*2 KPC5-SVJB ^{R/L} 35060-16S	○	○		50	60	35	-	165							

• Pressure Resistance : up to 1,015 psi

• Recommended tightening torque is 1.2 Nm for VB □ □ 22.. inserts and 3.5Nm for VB(C) □ □ 33.. inserts

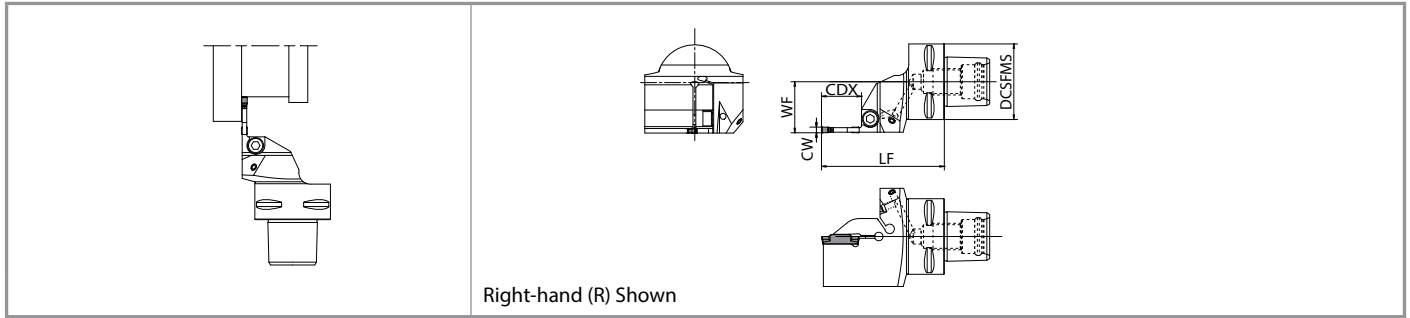
*1 When using inserts with corner-R (RE) of 1/32" (0.8mm), additional modifications to the toolholder or shim may be necessary to prevent interference with workpiece

*2 When using inserts with corner-R (RE) of 3/64" (1.2mm), additional modifications to the toolholder or shim may be necessary to prevent interference with workpiece

*3 When using inserts with corner-R (RE) of 0.008" and 1/64" (0.2mm and 0.4mm), shim in parentheses is recommended (sold separately)

○ : World Express (Shipping: 7-10 Business Days)

KGD (Grooving / Cut-Off)



Toolholder Dimensions (Metric Size)

Groove Width CW (mm)	Available Grooving Depth CDX (mm)	Part Number	Stock		Coolant Hole	Dimensions (mm)				Width W (mm)		Spare Parts		Applicable Inserts
			R	L		DCSFMS	LF	WF	CDX	MIN	MAX	Clamp Bolt	Wrench	
2	10	KPC3-KGD $\frac{R}{L}$ 22050-2T10	○	○		32	50	22	10	2.0	3.0	HH5X16	LW-4	GDM Type GDG Type
		KPC4-KGD $\frac{R}{L}$ 27055-2T10	○	○	Yes	40	55	27						
		KPC5-KGD $\frac{R}{L}$ 35060-2T10	○	○		50	60	35						
	17	KPC3-KGD $\frac{R}{L}$ 22055-2T17	○	○		32	55	22	17					
		KPC4-KGD $\frac{R}{L}$ 27060-2T17	○	○	Yes	40	60	27						
		KPC5-KGD $\frac{R}{L}$ 35060-2T17	○	○		50	60	35						
3	10	KPC3-KGD $\frac{R}{L}$ 22050-3T10	○	○		32	50	22	10	3.0	4.0			
		KPC4-KGD $\frac{R}{L}$ 27055-3T10	○	○	Yes	40	55	27						
		KPC5-KGD $\frac{R}{L}$ 35060-3T10	○	○		50	60	35						
	20	KPC3-KGD $\frac{R}{L}$ 22060-3T20	○	○		32	60	22	20					
		KPC4-KGD $\frac{R}{L}$ 27065-3T20	○	○	Yes	40	65	27						
		KPC5-KGD $\frac{R}{L}$ 35065-3T20	○	○		50	65	35						
4	10	KPC3-KGD $\frac{R}{L}$ 22050-4T10	○	○		32	50	22	10	4.0	5.0			
		KPC4-KGD $\frac{R}{L}$ 27055-4T10	○	○	Yes	40	55	27						
		KPC5-KGD $\frac{R}{L}$ 35060-4T10	○	○		50	60	35						
	20	KPC4-KGD $\frac{R}{L}$ 27065-4T20	○	○	Yes	40	65	27	20					
		KPC5-KGD $\frac{R}{L}$ 35065-4T20	○	○		50	65	35						
	25	KPC4-KGD $\frac{R}{L}$ 27070-4T25	○	○	Yes	40	70	27	25					
KPC5-KGD $\frac{R}{L}$ 35070-4T25		○	○		50	70	35							
5	10	KPC4-KGD $\frac{R}{L}$ 27055-5T10	○	○	Yes	40	55	27	10	5.0	6.0			
		KPC5-KGD $\frac{R}{L}$ 35060-5T10	○	○		50	60	35						
	17	KPC4-KGD $\frac{R}{L}$ 27060-5T17	○	○	Yes	40	60	27	17					
		KPC5-KGD $\frac{R}{L}$ 35060-5T17	○	○		50	60	35						

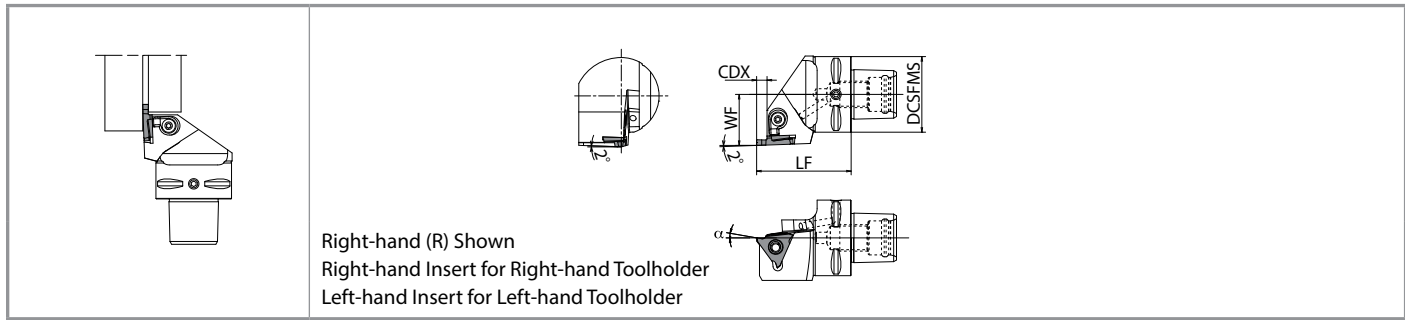
*1 Pressure Resistance : up to 1,015 psi

*2 Recommended tightening torque 6.5 Nm

*3 CDX dimension shows available grooving depth (if CDX dimension is 20mm or more, using a 2-edge insert, the maximum grooving depth is 18mm)

○ : World Express (Shipping: 7-10 Business Days)

KGBA (External Shallow Grooving)



Toolholder Dimensions (Metric Size)

Part Number	Stock		Coolant Hole	Dimensions (mm)				Spare Parts		Applicable Inserts
	R	L		DCSFMS	LF	WF	CDX	Clamp Set	Wrench	
KPC3-KGBA $\frac{R}{L}$ 22040-16	○	○	Yes	32	40	22	2.5	LGBA-16 $\frac{R}{L}$ S		GBA32 $\frac{R}{L}$ Type
KPC4-KGBA $\frac{R}{L}$ 27050-16	○	○		40	50	27				
KPC5-KGBA $\frac{R}{L}$ 35060-16	○	○		50	60	35				
KPC3-KGBA $\frac{R}{L}$ 22040-2215	○	○	No	32	40	22	4.0	LGBA-22 $\frac{R}{L}$ S	FT-15	GBA43 $\frac{R}{L}$ Type
KPC4-KGBA $\frac{R}{L}$ 27050-2215	○	○		40	50	27				
KPC5-KGBA $\frac{R}{L}$ 35060-2215	○	○		50	60	35				
KPC3-KGBA $\frac{R}{L}$ 22040-2225	○	○	Yes	32	40	22	5.5	LGBA-22 $\frac{R}{L}$ S	FT-15	GBA43 $\frac{R}{L}$ Type
KPC4-KGBA $\frac{R}{L}$ 27050-2225	○	○		40	50	27				
KPC5-KGBA $\frac{R}{L}$ 35060-2225	○	○		50	60	35				
KPC3-KGBA $\frac{R}{L}$ 22040-2235	○	○	No	32	40	22	5.5	LGBA-22 $\frac{R}{L}$ S	FT-15	GBA43 $\frac{R}{L}$ Type
KPC4-KGBA $\frac{R}{L}$ 27050-2235	○	○		40	50	27				
KPC5-KGBA $\frac{R}{L}$ 35060-2235	○	○		50	60	35				

* 1 Pressure Resistance : up to 1,015 psi

* 2 CDX dimension shows the distance from the holder to the cutting edge. Actual grooving depth is the B dimension of the insert

* 3 Use clamp set LGBA-...RS for right-hand (R) holder and LGBA-...LS for left-hand (L) holder

* 4 See tables below for rake angle of the insert after installing in the holder

○ : World Express (Shipping: 7-10 Business Days)

GBA-GM Rake Angle (α) after Installment

α	Insert Part Number
10°	GBA43 $\frac{R}{L}$ 150-020GM
15°	GBA43 $\frac{R}{L}$ 175-020GM ~ GBA43 $\frac{R}{L}$ 265-030GM
12°	GBA43 $\frac{R}{L}$ 300-030GM ~ GBA43 $\frac{R}{L}$ 400-040GM

α indicates the rake angle from the center of the groove width when installed

GBA-MY Rake Angle (α) after Installment

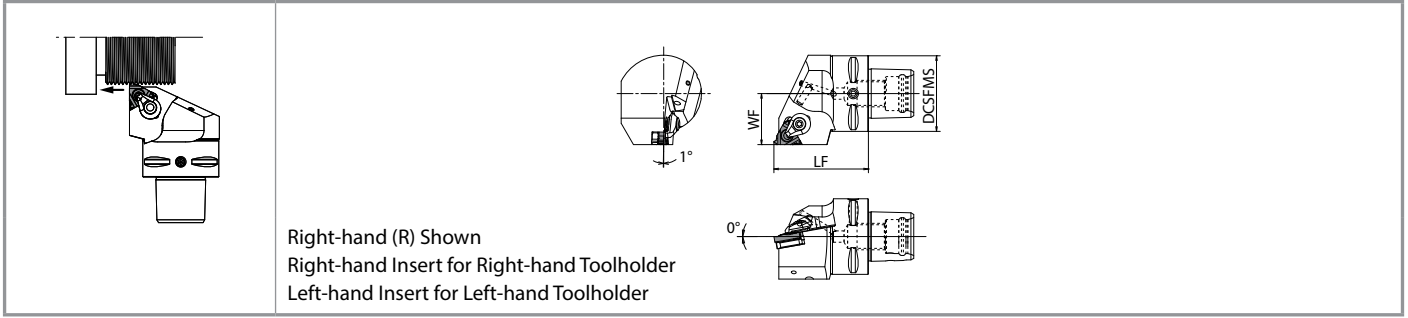
α	Insert Part Number
15°	GBA43 $\frac{R}{L}$ 175-020MY ~ GBA43 $\frac{R}{L}$ 350-030MY
14°	GBA43 $\frac{R}{L}$ 400-040MY

α indicates the rake angle from the center of the groove width when installed


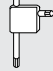



GBA Rake Angle (α) after Installment

GBA32 $\frac{R}{L}$ ○○○-○○○		GBA43 $\frac{R}{L}$ ○○○-○○○		GBA32 $\frac{R}{L}$ ○○○-○○○R (Full-R)		
α	Insert Grade	α	Insert Grade	α	Insert Grade	Full-R
10°	TN620, TN90, PV7040, PR930 PR1115, PR1215, PR1625, PR905 KPD001, KPD010	0°	KBN510, KBN525	10°	TN620, TN90, PV7040, PR930 PR1115, PR1215, PR1625, PR905	050R ~ 150R
		10°	TN620, TC40, TN90, PV7040 PR930, PR1115, PR1215, PR1625 PR905, KPD001, KPD010	14°	TN620, TN90, PV7040, PR930 PR1115, PR1215, PR1625, PR905	200R
20°	KW10	20°	KW10		KW10	050R ~ 200R

KTN (External Threading)



Toolholder Dimensions (Metric Size)

Part Number	Stock		Coolant Hole	Dimensions (mm)			Spare Parts				Applicable Inserts
	R	L		DCSFMS	LF	WF	Clamp Set	Wrench	Shim	Shim Screw	
											
KPC3-KTN [®] / _L 22040-16	<input type="radio"/>	<input type="radio"/>	Yes	32	40	22		FT-15	TN-32	SP3X8	16E [®] / _L Type
KPC4-KTN [®] / _L 27050-16	<input type="radio"/>	<input type="radio"/>		40	50	27					
KPC5-KTN [®] / _L 35060-16	<input type="radio"/>	<input type="radio"/>		50	60	35					

* 1 Pressure Resistance : up to 1,015 psi

: World Express (Shipping: 7-10 Business Days)

AHB

TOOLING & MACHINERY, INC.

COMPLETE METALWORKING SOLUTIONS

(800) 991-4225

www.ahbinc.com

ISO Certified

customerservice@ahbinc.com