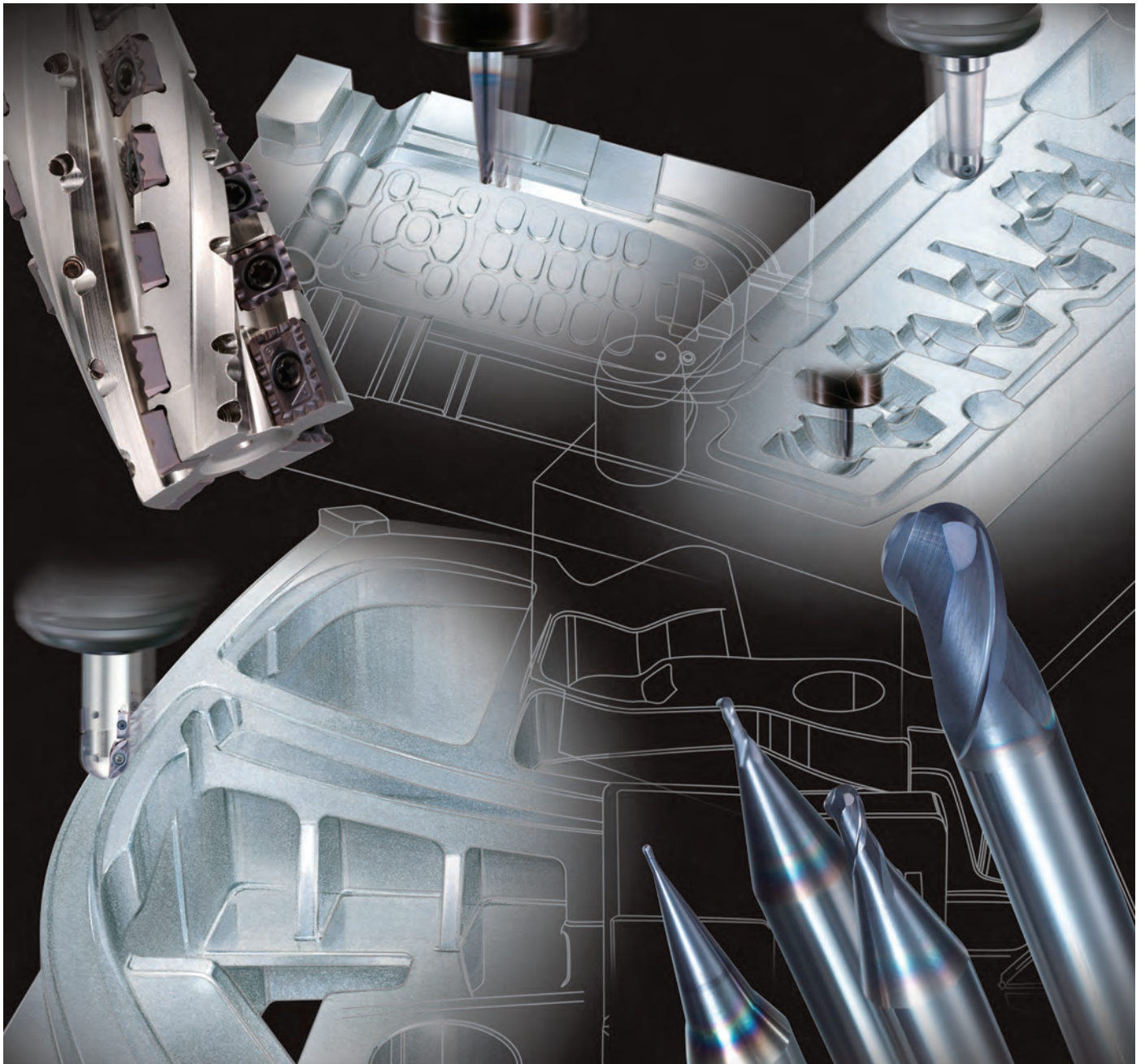
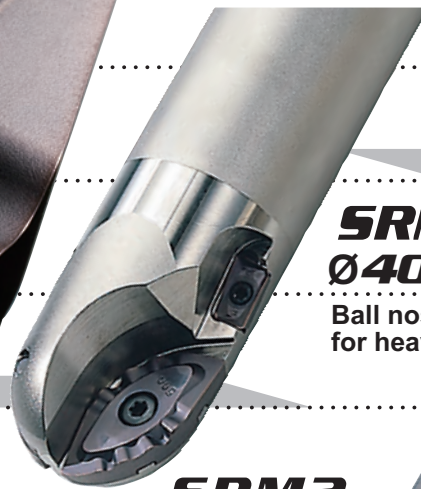


MOLD AND DIE INDUSTRY

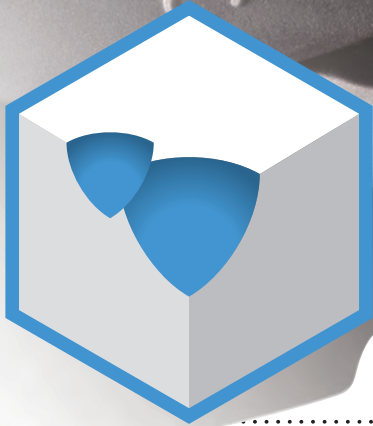


Ball Nose End Mill



SRM2
Ø40, Ø50
Ball nose end mill
for heavy roughing

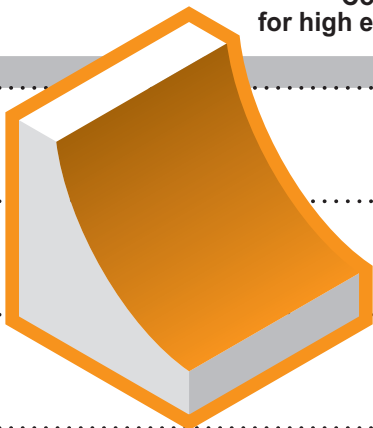
SRM2
Ball nose end mill
for high efficiency
machining



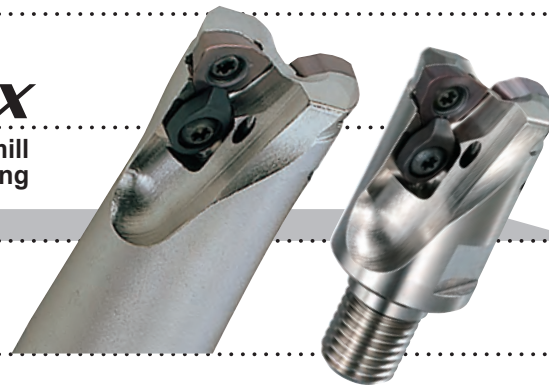
Roughing



Radius End Mill



AJX
Corner radius end mill
for high efficiency machining



ARX
Small diameter radius end mill
for high efficiency and accuracy machining



Roughing



IMPACT MIRACLE

2 flute ball nose end mill
Precision type : VF-2SB, VF-2SSB
Strong type : VF-2SDB, VF-2SDBL
Long neck type : VF-2XLB

SRF

Ball nose end mill for high efficiency machining

MIRACLE NOVA

2 flute ball nose end mill
Ultra high precision type : VC-2PSB-P
High precision type : VC-2PSB

MIRACLE

3 flute ball nose end mill
VC-3MB, VC-3LB(Long shank)

MSTAR

Long neck ball nose end mill

CBN

2 flute ball nose end mill
CBN-2XLB



Finishing

MSTAR
Corner radius end mill

IMPACT MIRACLE

Corner radius end mill
VF-SDRB, VF-MDRB

MIRACLE

High power corner radius end mill
VC-MHDRB

MIRACLE

High feed corner radius end mill
VC-HFRB

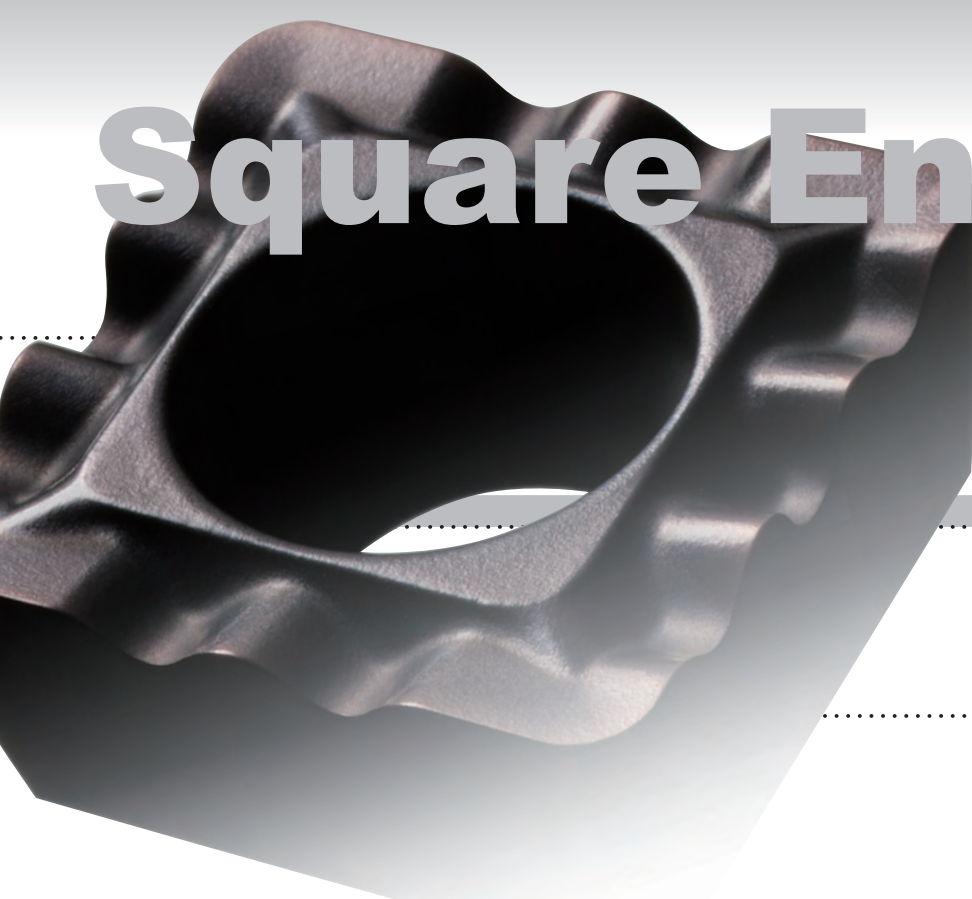
MIRACLE ORBIT

Corner radius end mill
VC-PSRB



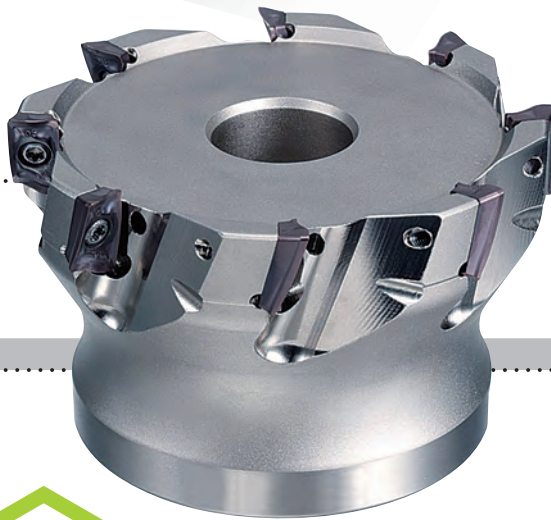
Finishing

Square End Mill



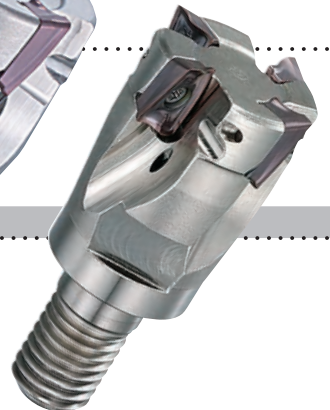
SPX

Square end mill
for deep
shoulder milling



APX3000
APX4000

Square end mill
for high efficiency
and accuracy machining



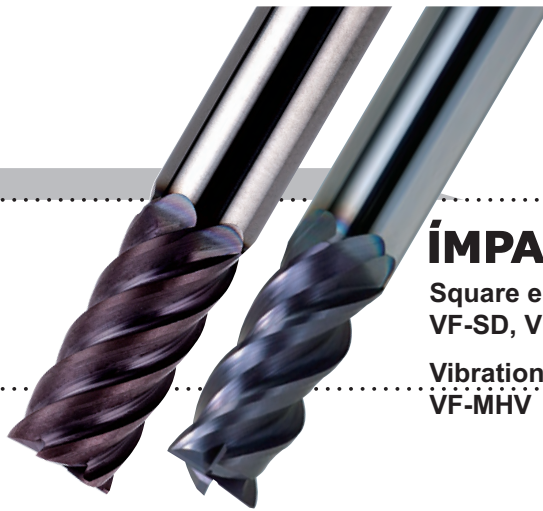
AQX

Multi-functional type square end mill



Roughing





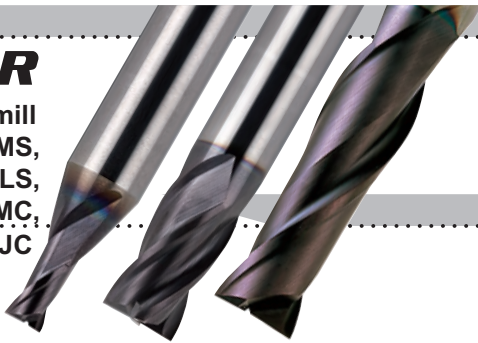
IMPACT MIRACLE

Square end mill
VF-SD, VF-MD

Vibration control end mill
VF-MHV

MSTAR

Square end mill
MS2SS, MS2MS,
MS2JS, MS2LS,
MS4SC, MS4MC,
MS4JC



MSTAR

Long neck end mill
MS2XL, MS2XL6, MS4XL



MIRACLE

Roughing end mill
VC-SFPR



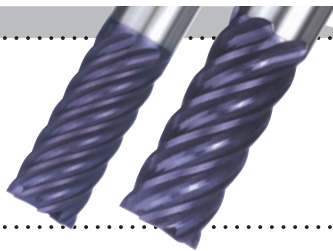
MSTAR

High power end mill
MSSHD, MSMHD, MSJHD



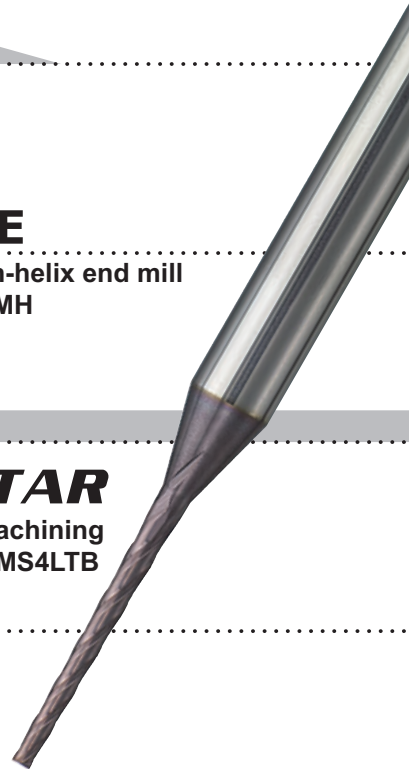
MIRACLE

Multi-flute high-helix end mill
VC-6MH, VC-8MH



MSTAR

Taper end mill for rib machining
MS4LT, MS4LTB



Finishing



15

cutting tools
CONNECTING ROD
Forge tool

cutting tools
AUTOMOBILE BODY

11
Press tool

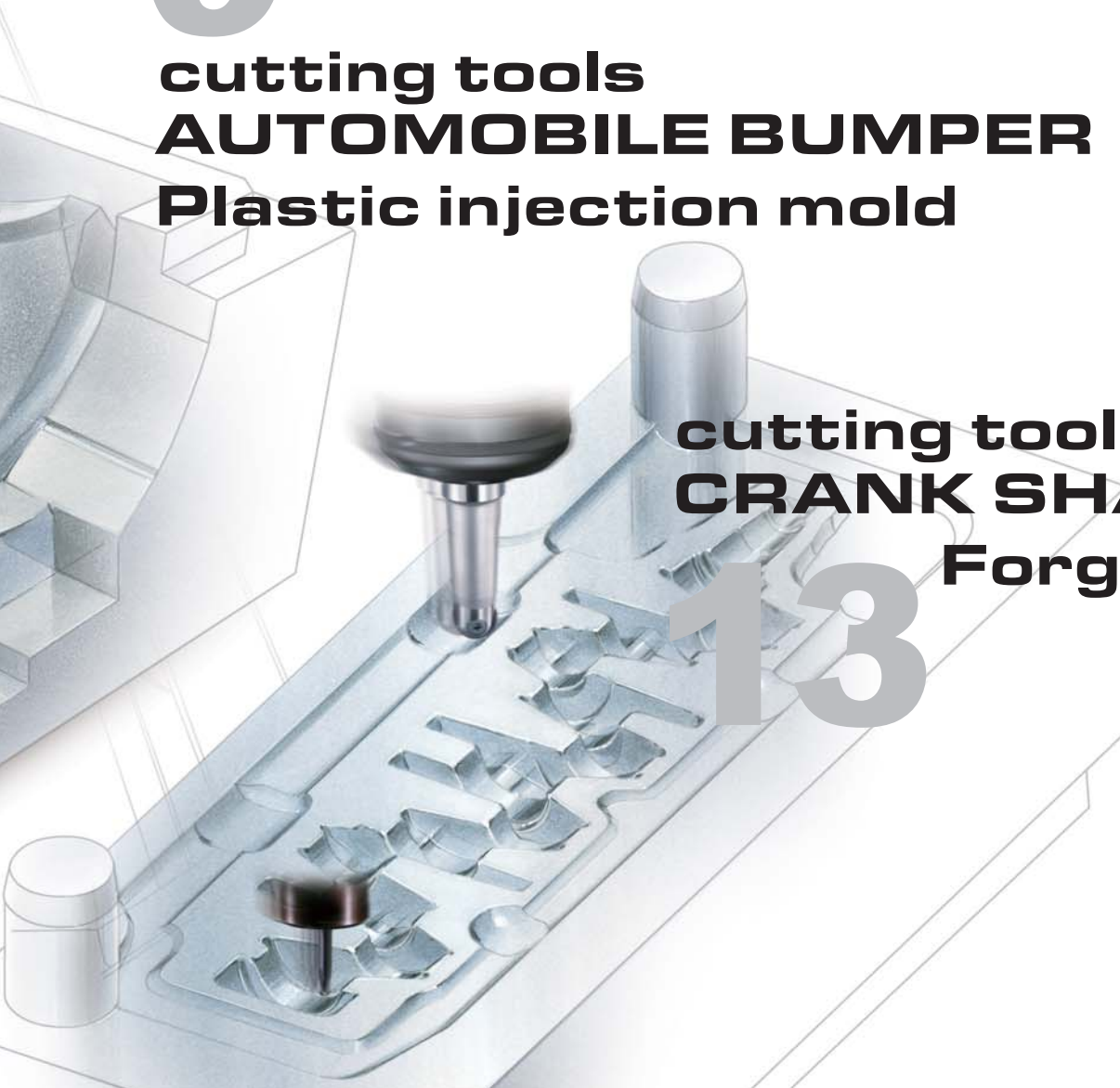


cutting tools
MOBILE PHONE
Plastic injection mold

7

9

cutting tools
AUTOMOBILE BUMPER
Plastic injection mold



cutting tools
CRANK SHAFT
Forge tool

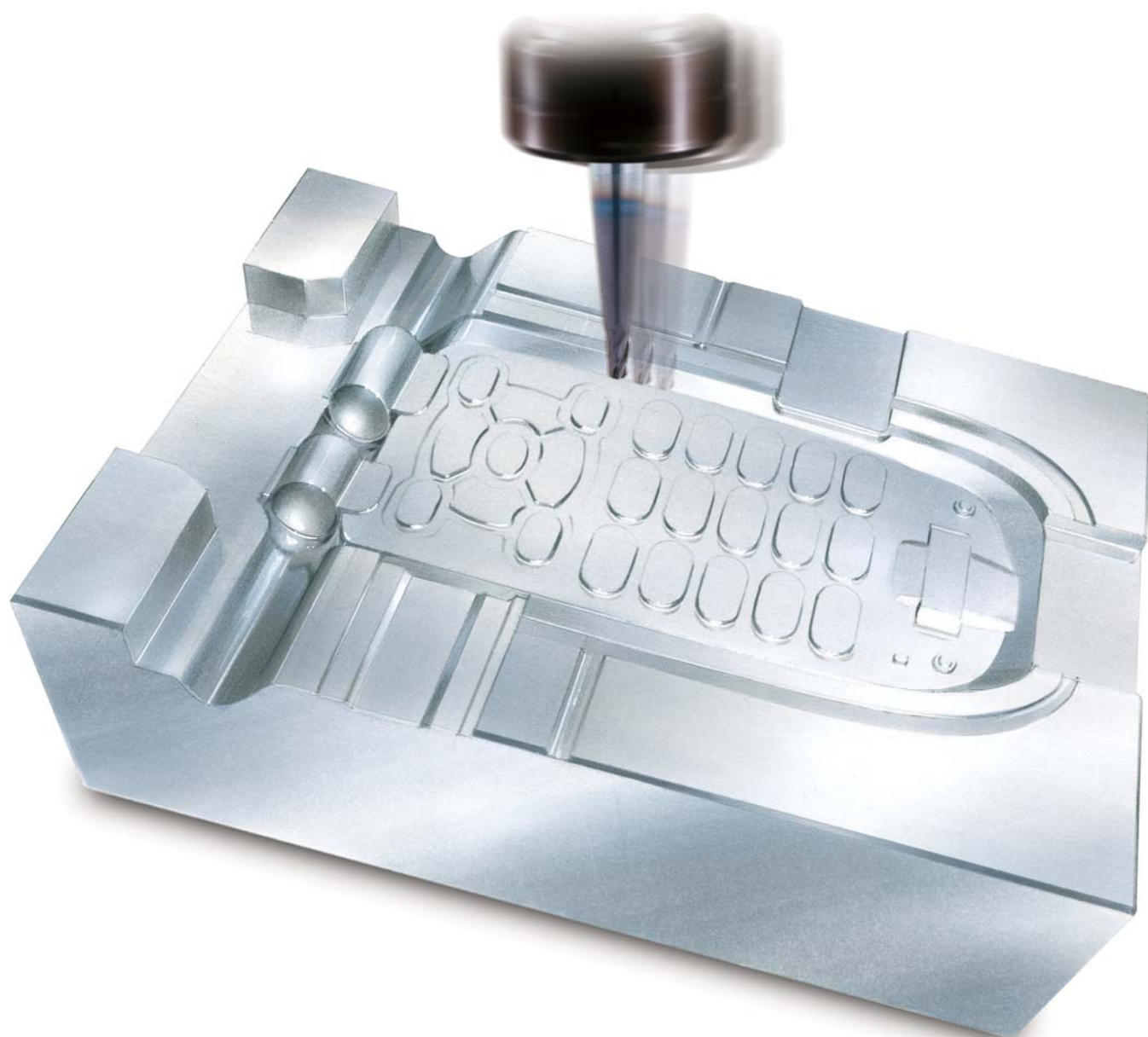
13

cutting tools

MOBILE PHON

Plastic injection mould

Material : JIS SKD61 (47HRC)



Roughing

Tool ■ VFMDRBD0600R0050
 (ø6-R0.5)

Cutting conditions ■ vc=300m/min (n=16000min⁻¹)
 vf=5800mm/min
 ap=3~7mm
 ae=0.3mm
 Semi dry (Mist)

Features ■ Multi flute corner radius end mill for higher efficiency than ball nose types on even surfaces.

**VF-MDRB**

High feed, rigid, corner radius end mill for efficient roughing.

Roughing ~
Semi finishing

Tool ■ VFMDRBD0300R0030
 (ø3-R0.3)

Cutting conditions ■ vc=250m/min (n=27000min⁻¹)
 vf=3200mm/min
 ap=3~5mm
 ae=0.1mm
 Semi dry (Mist)

Features ■ Multi flute corner radius end mill for higher efficiency than ball nose types on even surfaces.

**VF-MDRB**

Small diameter, rigid, corner radius end mill.

Semi finishing 2

Tool ■ VC4STBR0100T0130N10
 (R1-1°30')

Cutting conditions ■ vc=190m/min (n=30000min⁻¹)
 vf=1800mm/min
 ap=0.1mm
 ae=0.3mm
 Semi dry (Mist)

Features ■ 4 flute ball nose end mill for high efficiency machining.

**VC-4STB**

4 flute taper neck ball nose end mill.

Finishing 1

Tool ■ VC2PSBPR0050
 (R0.5)

Cutting conditions ■ vc=95m/min (n=30000min⁻¹)
 vf=1300mm/min
 ap=0.1mm
 ae=0.1mm
 Semi dry (Mist)

Features ■ Ultra high accuracy ball nose type reduces 50% of polishing time.

**VC-2PSB-P**

High accuracy, ball end mill.

Finishing 2

Tool ■ VF2XLBR0030N060
 (R0.3-6)

Cutting conditions ■ vc=57m/min (n=30000min⁻¹)
 vf=450mm/min
 ap=0.02mm
 ae=0.02mm
 Semi dry (Mist)

Features ■ High precision and efficiency with accurate and rigid ball nose end mills.

**VF-2XLB**

Long neck ball end mill.

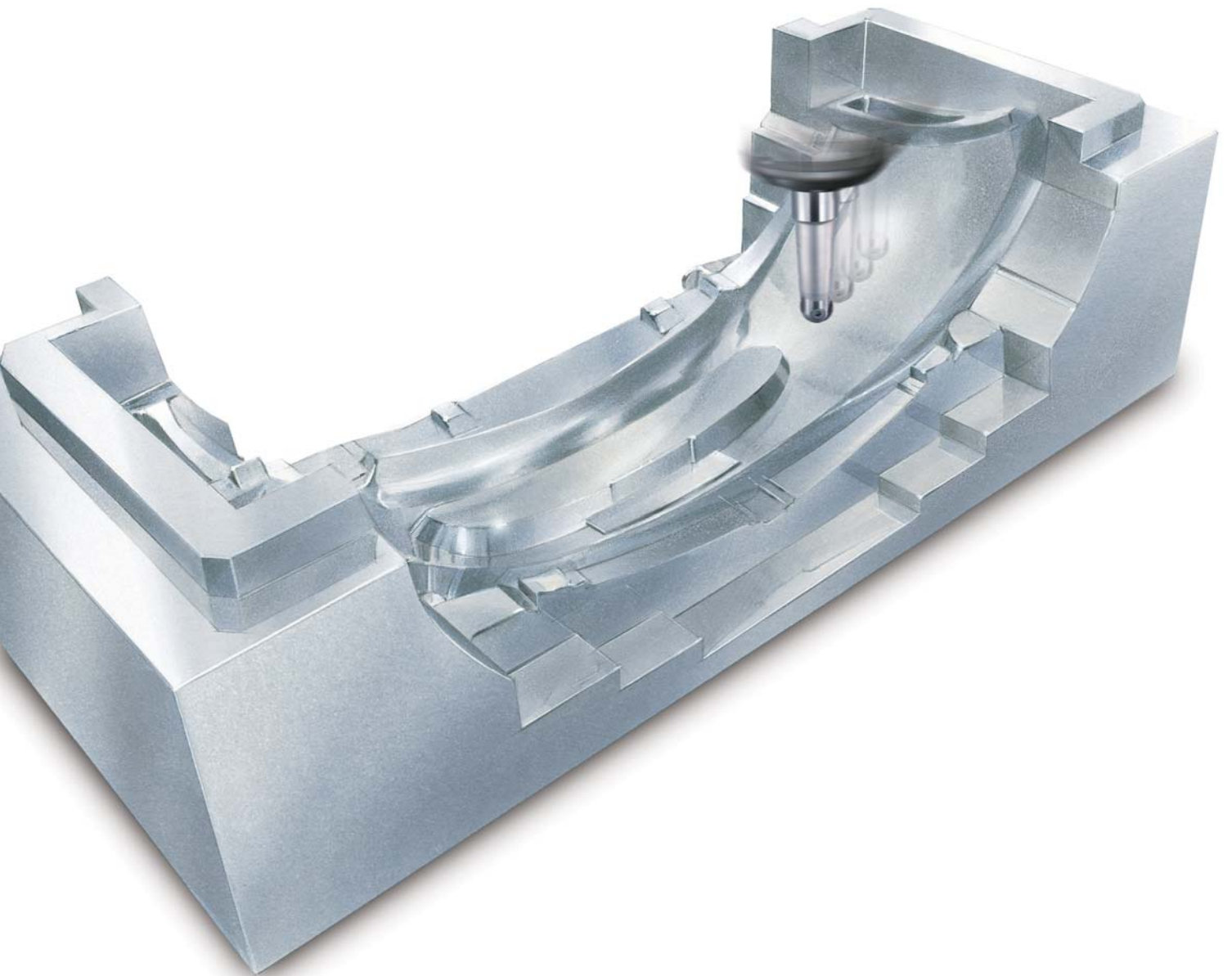
● Effective machining achieved by combining tool rigidity and accurate ball nose radii.

cutting tools

AUTOMOBILE







Plastic injection mould

Material : JIS S55C



BUMPER

vc : Cutting speed
n : Revolution
vf : Feed rate
ap : Depth of cut
ae : Width of cut

<p>Roughing</p>	<p>Tool ■ AJX14-080A05R (ø80–5 teeth) JDMW140520ZDSR-FT (FH7020)</p> <p>Cutting conditions ■ vc=150m/min (n=600min⁻¹) vf=3600mm/min ap=1mm ae=60mm Dry (Air blow)</p> <p>Features ■ High feed radius cutter for ultra high feed at low depths of cut for overall efficiency.</p>	 <p>AJX</p> <p>High feed, indexable, corner radius end mill.</p>
<p>Roughing ~ Semi finishing 1</p>	<p>Tool ■ BRP6P-050A04R (ø50–4 flute) RPMT1204MOE-JS (VP15TF)</p> <p>Cutting conditions ■ vc=190m/min (n=1200min⁻¹) vf=2000mm/min ap=1mm ae=35mm Dry (Air blow)</p> <p>Features ■ Round insert end mill for high feed and performance.</p>	 <p>BRP</p> <p>Round indexable insert end mill.</p>
<p>Roughing ~ Semi finishing 2</p>	<p>Tool ■ SRM2300SNF (R15) SRM30C/E-M (VP15TF)</p> <p>Cutting conditions ■ vc=200m/min (n=2150min⁻¹) vf=700mm/min ap=~5mm ae=3mm Dry (Air blow)</p> <p>Features ■ Accuracy comparable to solid type end mills but with higher metal removal rates.</p>	 <p>SRM2</p> <p>Ball nose, indexable insert end mill.</p>
<p>Finishing 1</p>	<p>Tool ■ SRFH30S32E (R15) SRFT30 (VP15TF)</p> <p>Cutting conditions ■ vc=~300m/min (n=~3200min⁻¹) vf=~3000mm/min ap=0.3mm ae=0.7mm Dry (Air blow)</p> <p>Features ■ High accuracy indexable type for finishing, comparable to solid type end mills.</p>	 <p>SRF</p> <p>Ball nose, single insert, high accuracy end mill.</p>
<p>Finishing 2</p>	<p>Tool ■ VC3LBR0500 (R5)</p> <p>Cutting conditions ■ vc=190m/min (n=6000min⁻¹) vf=1800mm/min ap=0.1mm ae=0.4~0.5mm Dry (Air blow)</p> <p>Features ■ 3 flute long ball nose type for effective deep wall machining.</p>	 <p>VC-3LB</p> <p>3 flute, long cut length, ball nose end mill.</p>
<p>Finishing 3</p>	<p>Tool ■ VC2PSBPR0100 (R1)</p> <p>Cutting conditions ■ vc=125m/min (n=20000min⁻¹) vf=1200mm/min ap=0.02mm ae=~0.1mm Dry (Air blow)</p> <p>Features ■ Precise machining with small diameter end mills.</p>	 <p>VC-2PSB-P</p> <p>High accuracy radius, ball nose end mill.</p>

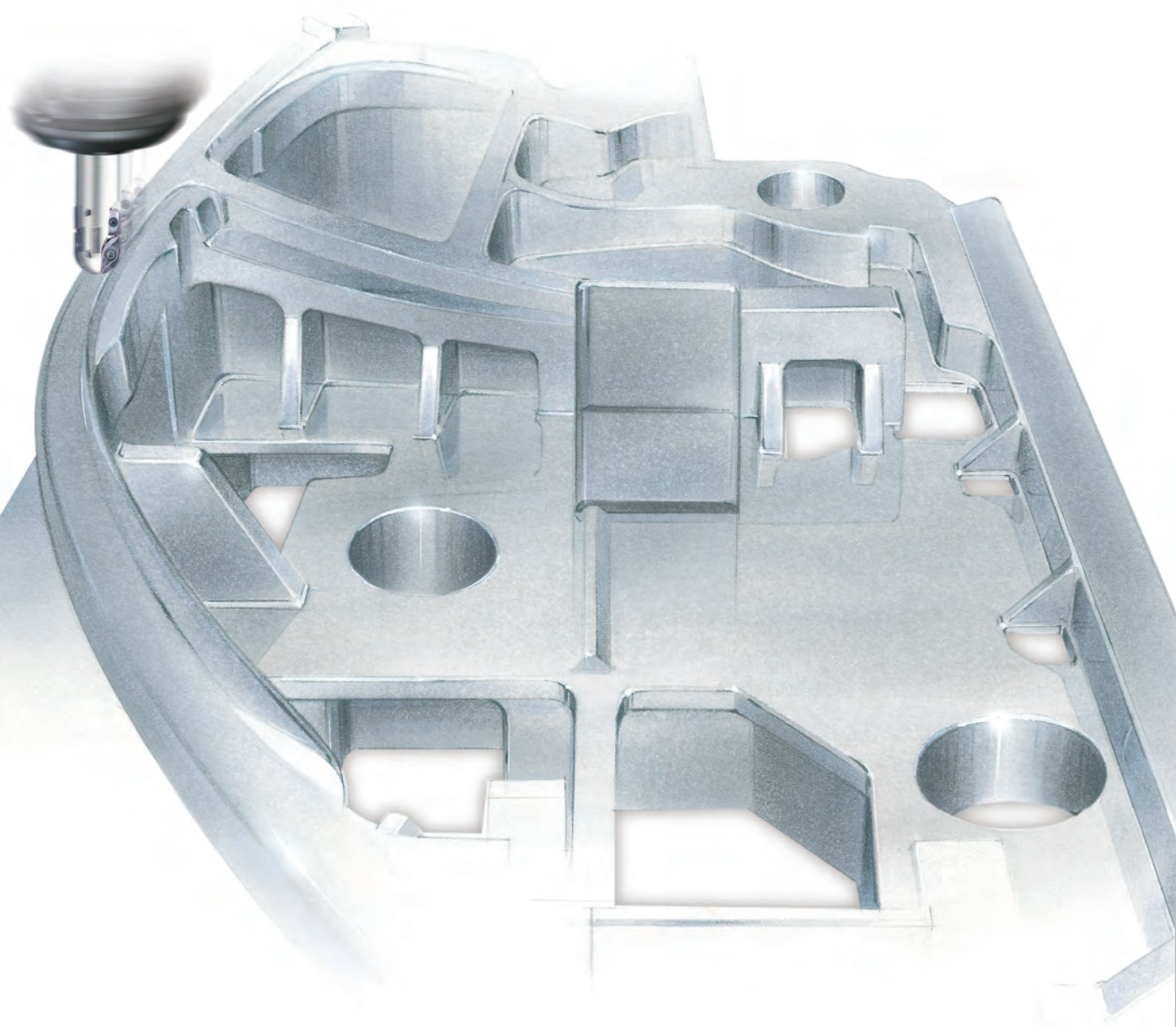
● Latest methods using a combination of high feed indexable insert radius end mills and small solid carbide end mills.

cutting tools

AUTOMOBILE

Press tool (for side panel)

Material : JIS FCD500



BODY

vc : Cutting speed
n : Revolution
vf : Feed rate
ap : Depth of cut
ae : Width of cut

Roughing 1

- Tool** ■ AJX14-080A05R (ø80-5 teeth)
JDMW140520ZDSR-FT (VP15TF)
- Cutting conditions** ■ vc=125m/min (n=500min⁻¹)
vf=3000mm/min
ap=2mm
ae=50mm
Dry (Air blow)
- Features** ■ Radius type cutter for ultra high feed at low depths of cut for overall efficiency.



AJX
High feed, indexable, corner radius end mill.

Roughing 2

- Tool** ■ SRM2500WNLS (R25)
SRG50C/E (VP15TF)
- Cutting conditions** ■ vc=190m/min (n=1200min⁻¹)
vf=650mm/min
ap~5mm
ae=10mm
Dry (Air blow)
- Features** ■ Special insert geometry for reliability and high metal removal rates.



SRM2 Ø50
Ball nose, indexable insert end mill for heavy roughing.

Roughing ~ Semi finishing

- Tool** ■ SRM2300SAL (R15)
SRM30C/E-M (VP15TF)
- Cutting conditions** ■ vc~380m/min (n~4000min⁻¹)
vf~3000mm/min
ap~1mm
ae~4mm
Dry (Air blow)
- Features** ■ Accuracy comparable to solid type end mills but with higher metal removal rates.



SRM2
Ball nose, indexable insert end mill.

Finishing 1

- Tool** ■ SRFH30S32E (R15)
SRFT30 (VP15TF)
- Cutting conditions** ■ vc~280m/min (n~3000min⁻¹)
vf~3000mm/min
ap=0.3mm
ae=0.7mm
Dry (Air blow)
- Features** ■ High accuracy indexable type for finishing, comparable to solid type end mills.



SRF
Ball nose, single insert, high accuracy end mill.

Finishing 2

- Tool** ■ VC3LBR0500 (R5)
- Cutting conditions** ■ vc=190m/min (n=6000min⁻¹)
vf=1800mm/min
ap=0.2mm
ae=0.4~0.5mm
Dry (Air blow)
- Features** ■ Efficient cutting strategy by using high accuracy ball nose end mills.



VC-3LB
3 flute, long cut length, ball nose end mill.

Roughing

- Tool** ■ SPX4R05034WNM (ø50-155L)
SPMX120408-WH (VP15TF)
JPMX190412-WH (VP15TF)
MPMX120412-WH (VP15TF)
- Cutting conditions** ■ vc=80m/min (n=500min⁻¹)
vf=400mm/min
ap=100~150mm
ae=5~10mm
Dry (Air blow), Down cut milling
- Features** ■ High efficiency deep shoulder milling is possible due to the low cutting resistance.



SPX
Square end mill for deep shoulder milling.

● Latest methods using a combination of high feed indexable insert radius end mills and solid carbide multi flute end mills.

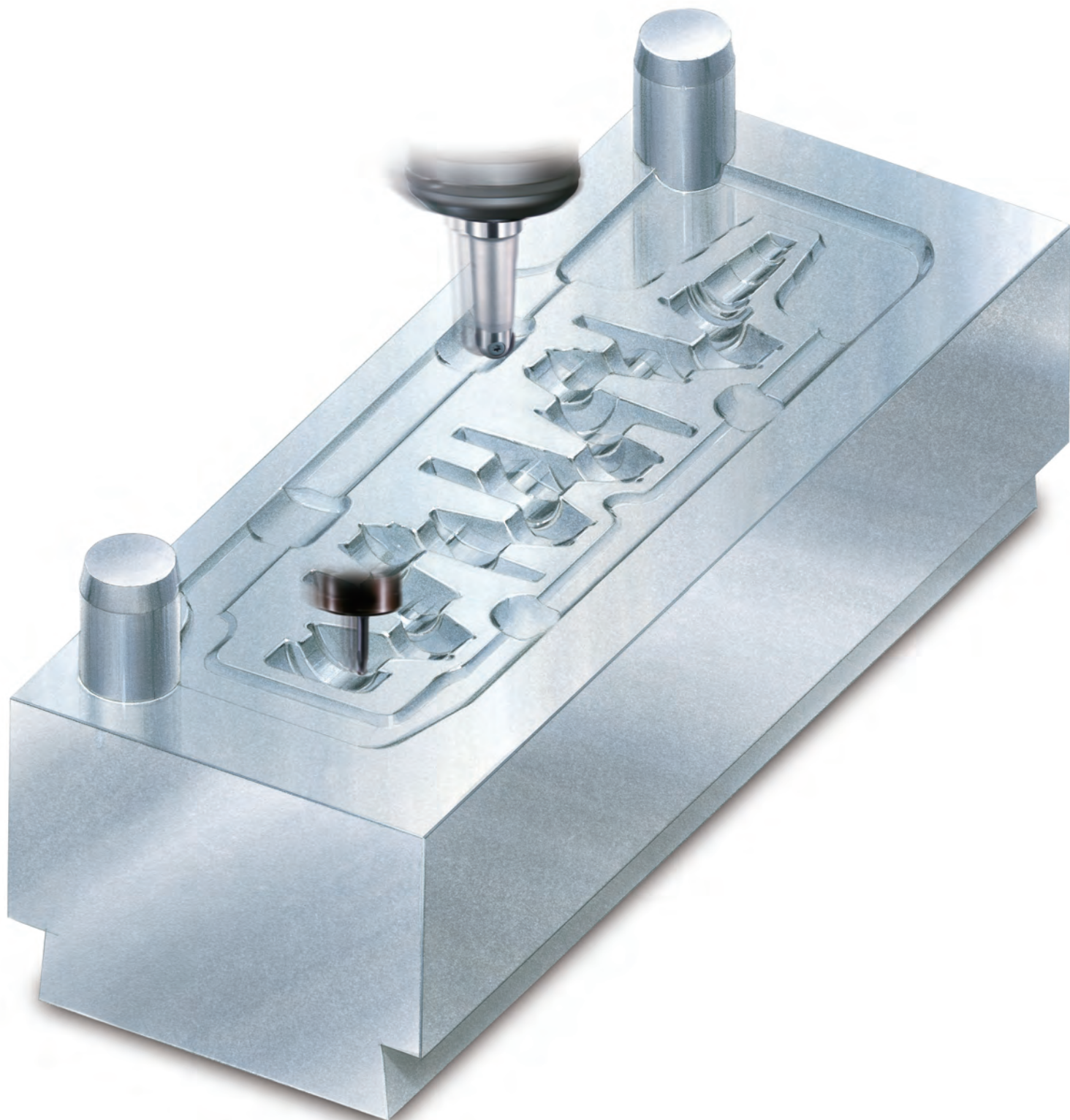
cutting tools

CRANK SHAFT

Forge tool

Material : JIS SKT4

(Finishing after heat treatment 52HRC)



vc : Cutting speed
 n : Revolution
 vf : Feed rate
 ap : Depth of cut
 ae : Width of cut

Roughing 1

- Tool** ■ ARX30R254SA20S (ø25-4 teeth)
 RDMW0620M0E (VP15TF)
- Cutting conditions** ■ vc=160m/min (n=3400min⁻¹)
 vf=1200mm/min
 ap=1mm
 ae=20mm
 Dry (Air blow)
- Features** ■ 2 flute radius end mill for high feed rates and efficiency.



ARX
 Indexable round insert end mill.

Semi finishing

- Tool** ■ SRM2200SAL (R10)
 SRM20C/E-M (VP15TF)
- Cutting conditions** ■ vc=160m/min (n=2550min⁻¹)
 vf=700mm/min
 ap~5mm
 ae~5mm
 Dry (Air blow)
- Features** ■ Accuracy comparable to solid type end mills but with higher metal removal rates.



SRM2
 Ball nose indexable insert end mill.

Finishing 1

- Tool** ■ SRFH16S20M (R8)
 SRFT16 (VP10MF)
- Cutting conditions** ■ vc=200m/min (n=4000min⁻¹)
 vf=1000mm/min
 ap=0.2mm
 ae=0.4mm
 Dry (Air blow)
- Features** ■ High accuracy indexable type for finishing, comparable to solid type end mills.



SRF
 Ball nose, single insert, high accuracy end mill.

Finishing 2

- Tool** ■ VC4STBR0400T0300N22
 (R4-3°)
- Cutting conditions** ■ vc=190m/min (n=7500min⁻¹)
 vf=3000mm/min
 ap=0.3mm
 ae=0.3mm
 Dry (Air blow)
- Features** ■ 4 flute taper neck end mill for rigidity even with a long tool overhang.



VC-45TB
 4 flute taper neck, ball nose end mill.

Finishing 3

- Tool** ■ VF2XLBR0100N200
 (R1-20)
- Cutting conditions** ■ vc=125m/min (n=20000min⁻¹)
 vf=1000mm/min
 ap=0.02mm
 ae~0.1mm
 Dry (Air blow)
- Features** ■ Accurate, small diameter machining.



VF-2XLB
 Long neck ball end mill

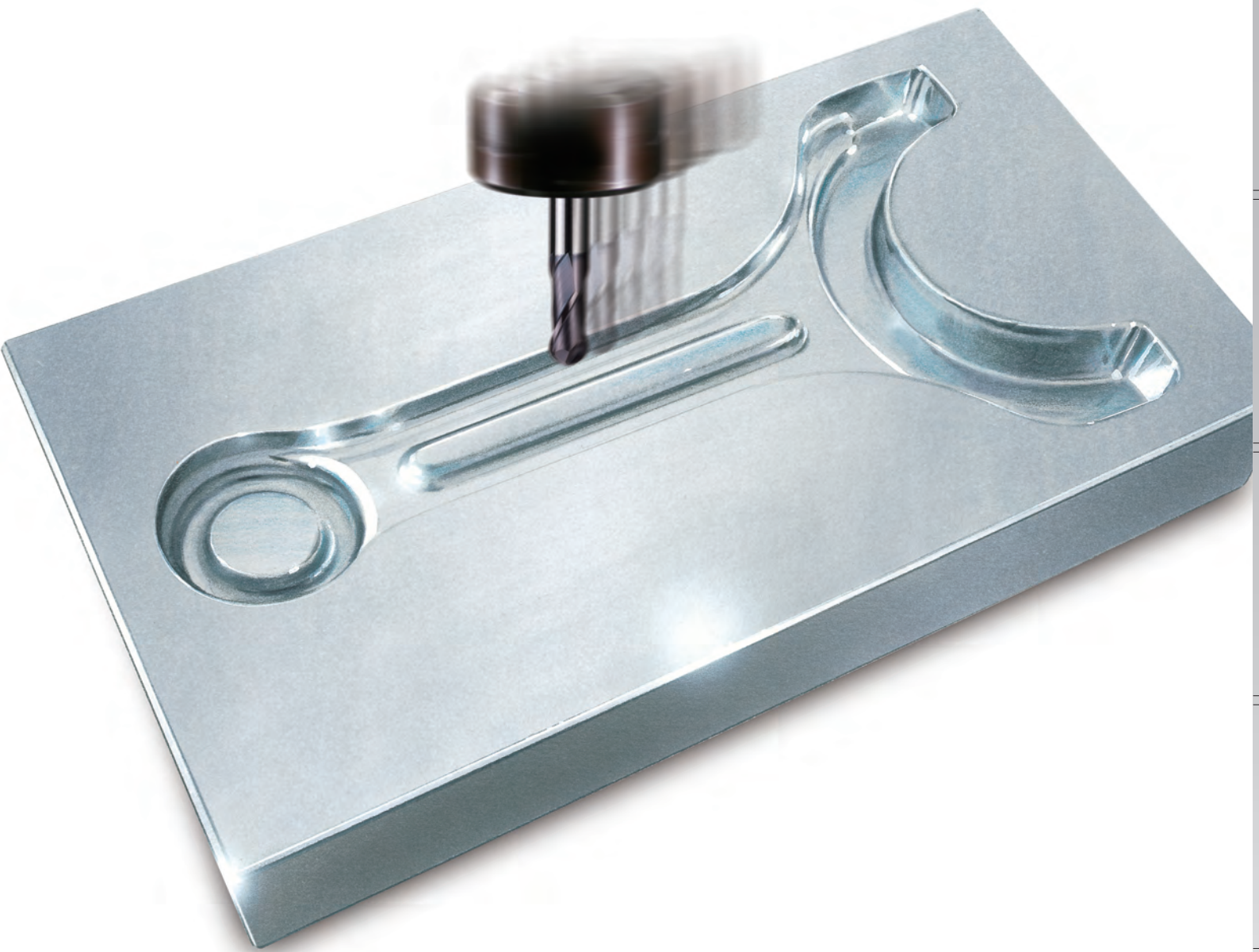
● Latest efficient machining methods by using a combination of high feed radius end mills and solid ball nose end mills.

cutting tools

CONNECTING

Forge tool

Material : JIS SKD61 (50HRC)



ROD

vc : Cutting speed
n : Revolution
vf : Feed rate
ap : Depth of cut
ae : Width of cut

Roughing - Semi finishing

- Tool** ■ ARX25R102SA10S (ø10-2 teeth)
RDMW0517M0E (VP15TF)
- Cutting conditions** ■ vc=80m/min (n=2550min⁻¹)
vf=800mm/min
ap=0.5mm
ae=~10mm
Dry (Air blow)
- Features** ■ Small diameter radius end mill for high efficiency and accuracy machining.



ARX

Indexable round insert end mill.

Semi finishing - Finishing 1

- Tool** ■ SRFH10S12M (R5)
SRFT10 (VP10MF)
- Cutting conditions** ■ vc=100m/min (n=3200min⁻¹)
vf=1200mm/min
ap=0.3mm
ae=~1mm
Dry (Air blow)
- Features** ■ High accuracy indexable type for finishing, comparable to solid type end mills.



SRF

Ball nose, single insert, high accuracy end mill.

Semi finishing- Finishing 2

- Tool** ■ VCPSRBD1200N36R40
(ø12-R4)
- Cutting conditions** ■ vc=250m/min (n=6600min⁻¹)
vf=2600mm/min
ap=0.3mm
ae=~3mm
Dry (Air blow)
- Features** ■ High accuracy corner radius tolerance for efficient machining and surface finish accuracy.



VC-PSRB

High accuracy corner radius end mill.

Finishing 2

- Tool** ■ VF2SBR0300S06
(R3)
- Cutting conditions** ■ vc=250m/min (n=13000min⁻¹)
vf=2600mm/min
ap=0.2mm
ae=0.3mm
Dry (Air blow)
- Features** ■ Reliability and accuracy when milling hardened materials.



VF-25B

Ball nose end mill for hardened steel.

Finishing 3

- Tool** ■ VF2SBR0100S06
(R1)
- Cutting conditions** ■ vc=200m/min (n=32000min⁻¹)
vf=3800mm/min
ap=0.1mm
ae=0.15mm
Dry (Air blow)
- Features** ■ Reliability and accuracy even with small diameters when milling hardened materials.



VF-25B

Small diameter ball nose end mill for hardened steel.

- Efficient, hardened material machining. Reliability and long tool life from the smaller diameter end mills.

GLOBAL SALE



Overseas Sales Offices

JAPAN

MITSUBISHI MATERIALS CORPORATION
 Area Marketing & Operations Department
 KFC bldg., 8F, 1-6-1, Yokoami, Sumida-ku, Tokyo
 130-0015 JAPAN
 TEL +81-3-5819-8772 FAX +81-3-5819-8773

USA

MITSUBISHI MATERIALS U.S.A. CORPORATION
 17401 Eastman Street, Irvine, California, 92614, USA
 TEL +1-949-862-5100 FAX +1-949-862-5180

MEXICO

MMC METAL DE MEXICO, S.A. DE C.V.
 Av. La Canada No.16, Parque Industrial Bernardo Quintana,
 El Marques, Queretaro, CP76246 MEXICO
 TEL +52-442-221-6136 FAX +52-442-221-6134

BRAZIL

MMC-METAL DO BRASIL LTDA.
 Rua Cincinato Braga, 340, 13th-Flor,
 Bela Vista-CEP 01333-010, São Paulo-SP, BRAZIL
 TEL +55-11-3266-7687 FAX +55-11-3287-8587

GERMANY

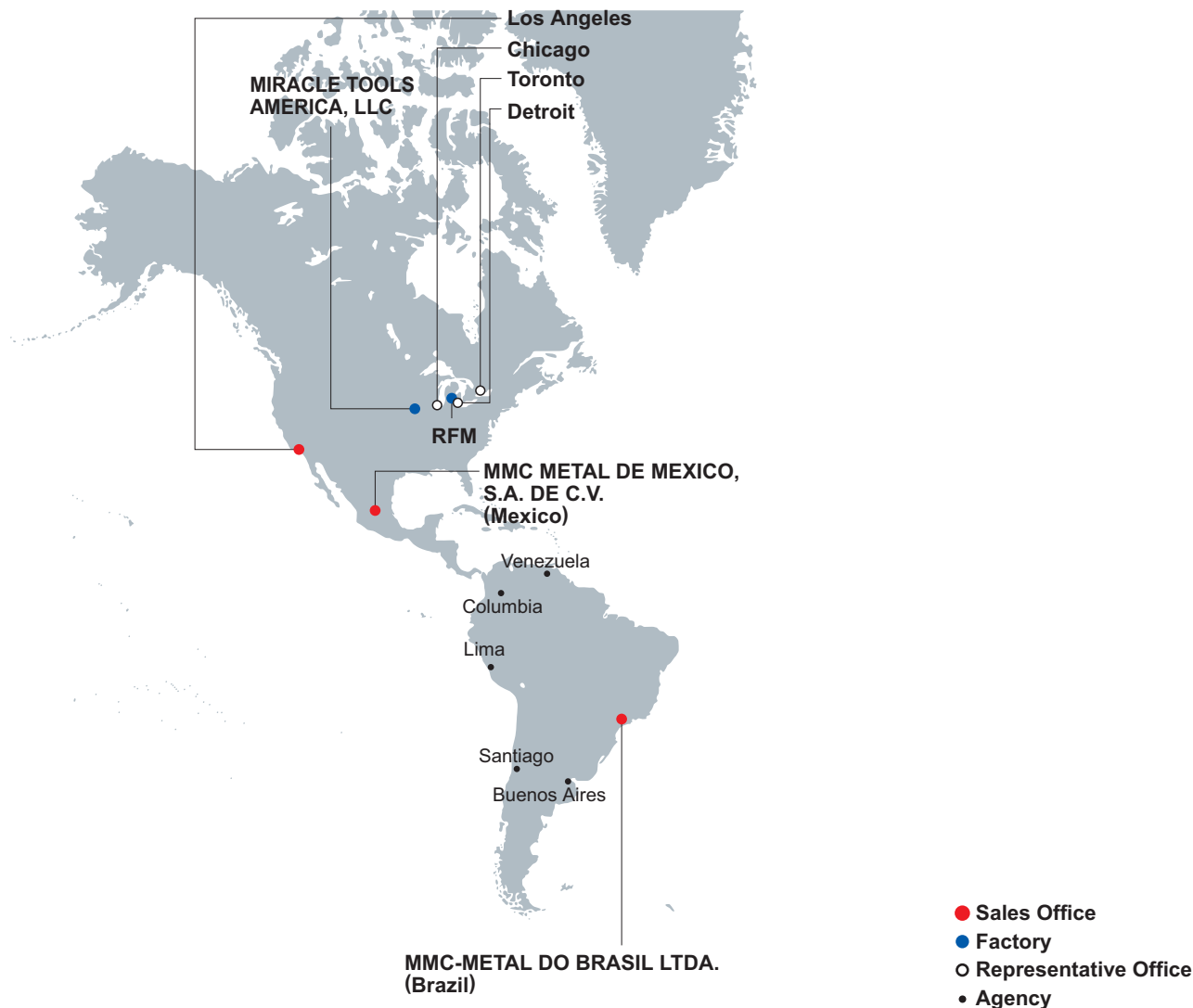
MMC HARTMETALL GmbH
 Comeniusstr.2, 40670 Meerbusch GERMANY
 TEL +49-2159-9189-0 FAX +49-2159-918966

UNITED KINGDOM

MMC HARDMETAL U.K.LTD.
 Mitsubishi House, Galena Close, Tamworth,
 Staffs. B77 4AS, U.K.
 TEL +44-1827-312312 FAX +44-1827-312314

S NETWORK

MITSUBISHI MATERIALS U.S.A. CORPORATION



FRANCE

MMC METAL FRANCE s.a.r.l.
6, Rue Jacques Monod, 91400 Orsay, FRANCE
TEL +33-1-69 35 53 53 FAX +33-1-69 35 53 50

SPAIN

MITSUBISHI MATERIALS ESPAÑA,S.A.
Calle Emperador 2, 46136 Museros/Valencia, SPAIN
TEL +34-96-144-1711 FAX +34-96-144-3786

ITALY

MMC ITALIA S.r.l.
V. le Delle Industrie 20/5, 20020 Milano ITALY
TEL +39-02 93 77 03 1 FAX +39-02 93 58 90 93

RUSSIA

MMC HARDMETAL RUSSIA OOO LTD.
UL. Bolschaja Pochtovaja, 36 Bldg.1,
105082 Moscow, RUSSIA
TEL +7-495-72558-85 FAX +7-495-98139-73

POLAND

MMC HARDMETAL POLAND SP.z o.o.
Al..Armii Krajowej 61, 50-541 Wroclaw, POLAND
TEL +48-71335-16-20 FAX +48-71335-16-21

SINGAPORE

MMC METAL SINGAPORE PTE LTD.
10, Arumugam Road, #04-00 Lion Industrial Building.,
409957, SINGAPORE
TEL +65-6743-9370 FAX +65-6749-1469

INDIA

MMC HARDMETAL INDIA PVT. LTD.
No.10, 1st Floor, 80 Feet Road, R.M.V 2nd Stage, Bangalore -
560094 INDIA
TEL +91-80-2351-6083 FAX +91-80-2351-6080



The advertisement has a background of the American flag. On the left, the letters "AHB" are written in a large, white, stylized font with a red outline. To the right of "AHB" is the text "Tooling & Machinery, Inc." in a white sans-serif font. Below "AHB" is the text "Complete Metalworking Solutions" in a smaller white font, followed by "Roseville Saginaw & Jackson, MI" in an even smaller font. On the right side, there is a white box containing the text "ISO Certified", "(800) 991-4225", "www.ahbinc.com", and "customerservice@ahbinc.com".