

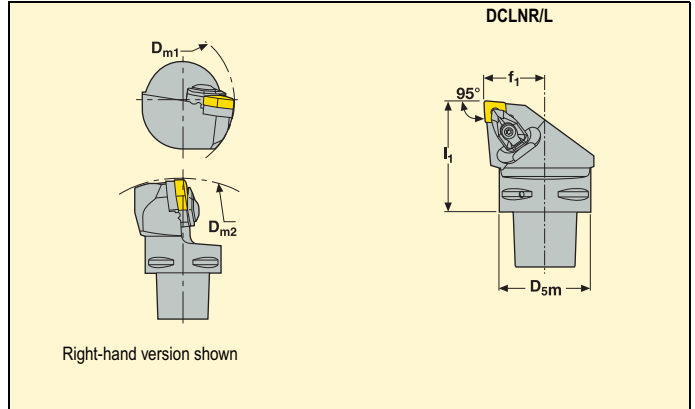


SECO HEAVY MACHINING

Toolholders for inserts CNMG



- Inserts, please see page 18
- γ_0° = Rake angle, λ_s° = Inclination angle



Application		Part No.	Dimensions in mm					γ_0°	λ_s°	KG	
			D _{5m}	f ₁	l ₁	D _{m1}	D _{m2}				
95° 	25	C8-DCLNR-55080-25	80	55	80	150	250	-6	-6	2,5	CN..2509..
		C8-DCLNL-55080-25	80	55	80	150	250	-6	-6	2,5	CN..2509..

Spare Parts, Parts included in delivery

Toolholder/ Insert dimension	Anvil	Anvil screw	Clamp set	Clamp**	Clamp screw**	Pin**	Spring**	Key
-25	DCN250424	C06012-T25P	CD25-S25					T25P-7L

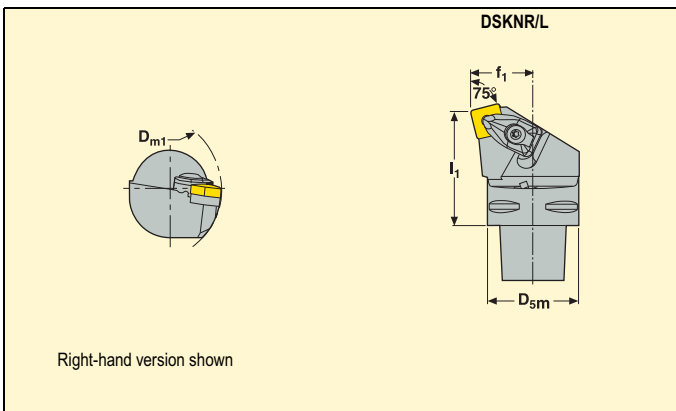
Please check availability in current price and stock-list

**Part of Clamp set

Toolholders for inserts SNMG and SNMM



- Inserts, please see page 23
- γ_o° = Rake angle, λ_s° = Inclination angle



Application		Part No.	Dimensions in mm				γ_o°	λ_s°		
			D _{5m}	f ₁	I ₁	D _{m1}				
75° 	25	C8-DSKNR-55080-25	80	55	80	125	-6	-6	2,5	SN..2507..
		C8-DSKNL-55080-25	80	55	80	125	-6	-6	2,5	SN..2507..

Spare Parts, Parts included in delivery

Toolholder/ Insert dimension	Anvil	Anvil screw	Clamp set	Clamp**	Clamp screw**	Pin**	Spring**	Key
-25								
-25	DSN250424*							T25P-7

Please check availability in current price and stock-list

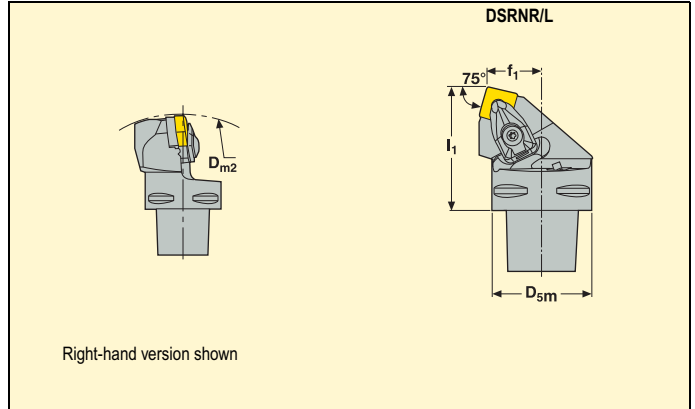
*Anvil DSN250424 for insert SN..2509.., to be ordered separately

**Part of Clamp set

Toolholders for inserts SNMG and SNMM



- Inserts, please see page 23
- γ_0° = Rake angle, λ_s° = Inclination angle



Application		Part No.	Dimensions in mm				γ_0°	λ_s°		
			D _{sm}	f ₁	l ₁	D _{m2}				
75° 	25	C8-DSRNR-45080-25	80	45	80	250	-6	-6	2,5	SN..2507..
		C8-DSRNL-45080-25	80	45	80	250	-6	-6	2,5	SN..2507..

Spare Parts, Parts included in delivery

Toolholder/ Insert dimension	Anvil	Anvil screw	Clamp set	Clamp**	Clamp screw**	Pin**	Spring**	Key
-25	DSN250624	C06012-T25P	CD25-S25					T25P-7
-2509	DSN250424*							

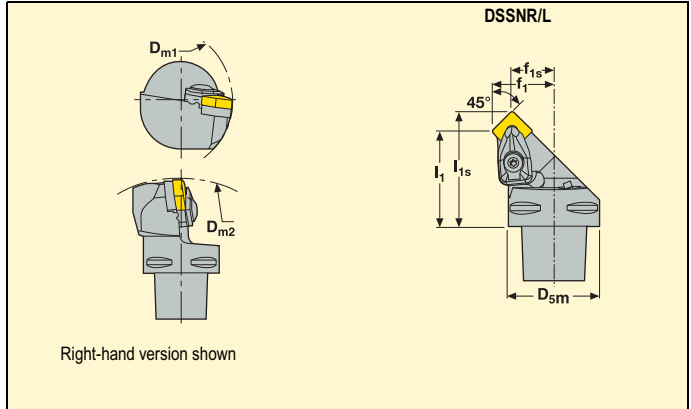
Please check availability in current price and stock-list

*Anvil DSN250424 for insert SN..2509.., to be ordered separately
 **Part of Clamp set

Toolholders for inserts SNMG and SNMM



- Inserts, please see page 23
- γ_o° = Rake angle, λ_s° = Inclination angle



Application	Part No.	Dimensions in mm								γ_o°	λ_s°	KG	
		D _{5sm}	f ₁	f _{1s}	l ₁	l _{1s}	D _{m1}	D _{m2}					
45° 	25	C8-DSSNR-55070-25	80	55	38,5	70	86,5	150	256	-8	0	2,5	SN..2507..
		C8-DSSNL-55070-25	80	55	38,5	70	86,5	150	256	-8	0	2,5	SN..2507..

Spare Parts, Parts included in delivery

Toolholder/ Insert dimension	Anvil	Anvil screw	Clamp set	Clamp**	Clamp screw**	Pin**	Spring**	Key
-25	DSN250624	C06012-T25P	CD25-S25					T25P-7
-2509	DSN250424*							

Please check availability in current price and stock-list

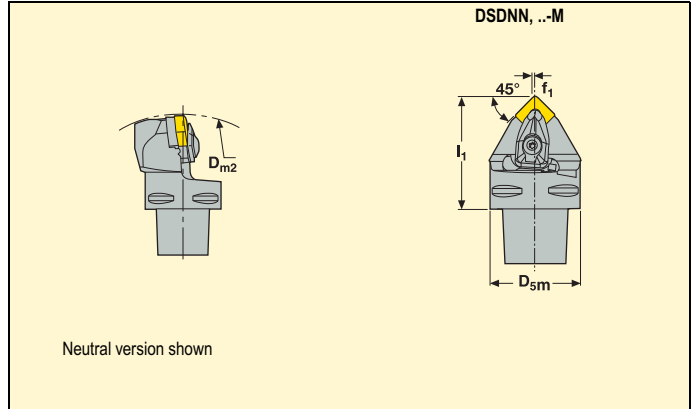
*Anvil DSN250424 for insert SN..2509.., to be ordered separately

**Part of Clamp set

Toolholders for inserts SNMG and SNMM



- Inserts, please see page 23
- γ_0° = Rake angle, λ_s° = Inclination angle



Application		Part No.	Dimensions in mm				γ_0°	λ_s°		
			D _{5m}	f ₁	I ₁	D _{m2}				
45° 	25	C8-DSDNN-00080-25	80	0,5	80	250	-5	-9	2,5	SN..2507..

Spare Parts, Parts included in delivery

Toolholder/ Insert dimension	Anvil	Anvil screw	Clamp set	Clamp**	Clamp screw**	Pin**	Spring**	Key
-25								
-25	DSN250624	C06012-T25P	CD25-S25					T25P-7
-2509	DSN250424*							

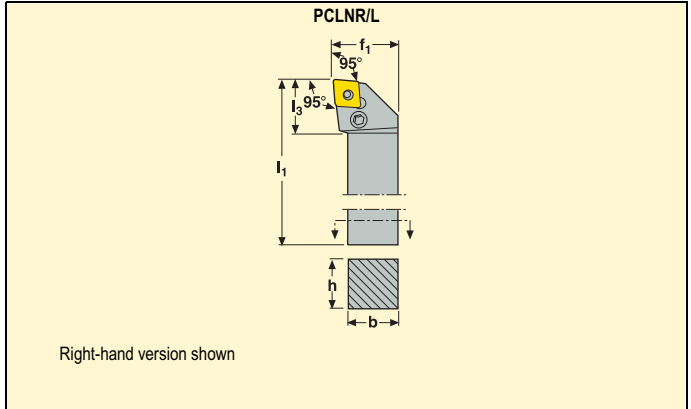
Please check availability in current price and stock-list

*Anvil DSN250424 for insert SN..2509.., to be ordered separately
 **Part of Clamp set

Toolholders for inserts CNMG



- Inserts, please see page 18
- γ_0° = Rake angle, λ_s° = Inclination angle



Application		Part No.	Dimensions in mm					γ_0°	λ_s°		
			h	b	l_1	f_1	l_3				
95° 	25	PCLNR 4040S25	40	40	250	50	45	-6	-6	3,2	CN..2509..
		PCLNL 4040S25	40	40	250	50	45	-6	-6	3,2	CN..2509..

Spare Parts, Parts included in delivery

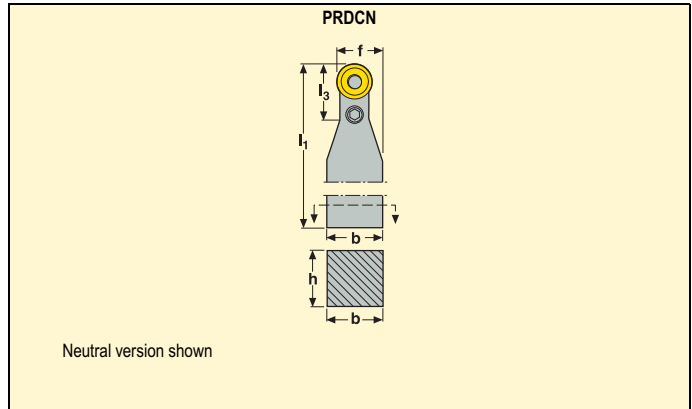
	Anvil	Lever	Anvil pin	Screw	Key	Punch
Toolholder/ Insert dimension						
..25	PCN250620	PP1325	RP1312	LS1236	5 SMS795	MP25

Please check availability in current price and stock-list

Toolholders for inserts RCMX



- Inserts, please see page 21
- γ_0° = Rake angle, λ_s° = Inclination angle



Application		Part No.	Dimensions in mm					γ_0°	λ_s°	KG	
			h	b	l_1	f	l_3				
	20	PRDCN 3232P20	32	32	170	26,0	32	0	-8	1,3	RCMX200600
	25	PRDCN 4040S25	40	40	250	32,5	40	0	-8	3,2	RCMX250700
	32	PRDCN 5050T32	50	50	300	41,0	50	0	-8	4,5	RCMX320900

Spare Parts, Parts included in delivery

Toolholder/ Insert dimension	Anvil	Lever	Anvil pin	Screw	Key	Punch
..20						
..25	PRN2004M0	PP5620	RP8286	LS0823	3 SMS795	MP1519
..32	PRN2506M0	PP6224	RP9811	LS1030	4 SMS795	MP1519
	PRN3206M0	PP8030	RP1312	LS1236	5 SMS795	MP25

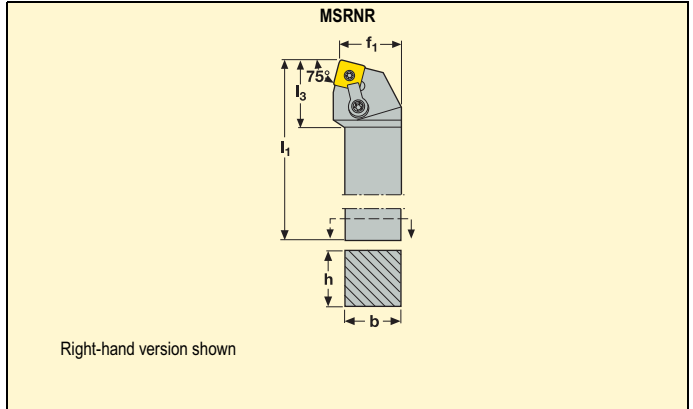
Please check availability in current price and stock-list

Turning – Toolholders, external

Toolholders for inserts SNMG and SNMM



- Inserts, please see page 23
- γ_0° = Rake angle, λ_s° = Inclination angle



Application		Part No.	Dimensions in mm					γ_0°	λ_s°		
			h	b	l_1	f_1	l_3				
75° 	25	MSRNR5050T25	50	50	300	53	49	-6	-6	5,7	SN..2507..

Spare Parts, Parts included in delivery

Toolholder/ Insert dimension	Anvil**	Pin	Anvil screw*	Clamp	Clamp screw/ Key	Plug*	
..25							
	SSN250716	MN2525-T25P	CS1216	MC24	LD1035-T25P	T25P-7	P5
..25	SSN250616**						

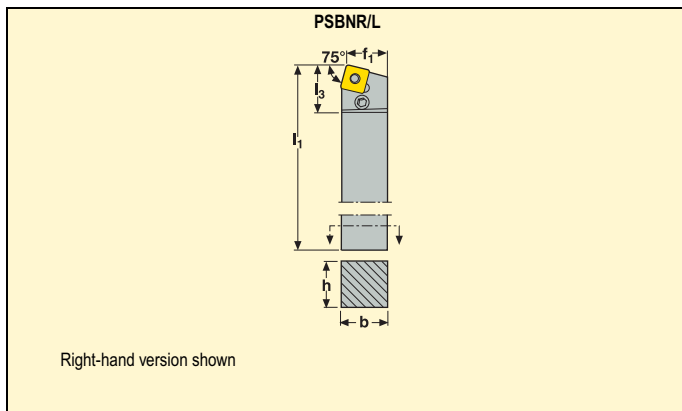
Please check availability in current price and stock-list

*To be ordered separately
 **Anvil SSN250616 for inserts SN..2509.., to be ordered separately

Toolholders for inserts SNMG and SNMM



- Inserts, please see page 23
- γ_0° = Rake angle, λ_s° = Inclination angle



Application		Part No.	Dimensions in mm							γ_0°	λ_s°	KG		
			h	b	l_1	l_{1s}	f_1	f_{1s}	l_3					
75° 	25	PSBNNR 4040S25	40	40	250	–	35	–	50	-6	-6	3,2	SN..2507..	
		5050S25	50	50	250	–	43	–	50	-6	-6	4,7	SN..2507..	
		PSBNNL 4040S25	40	40	250	–	35	–	50	-6	-6	3,2	SN..2507..	
		5050S25	50	50	250	–	43	–	50	-6	-6	4,7	SN..2507..	
		PSBNNR 4040S2509	40	40	250	–	35	–	50	-6	-6	3,2	SN..2509..	
		5050T2509	50	50	300	–	43	–	50	-6	-6	5,8	SN..2509..	

Spare Parts, Parts included in delivery

	Anvil	Lever	Anvil pin	Screw	Key	Punch
Toolholder/ Insert dimension						
..25	PSN250624	PP1325	RP1312	LS1236	5 SMS795	MP25

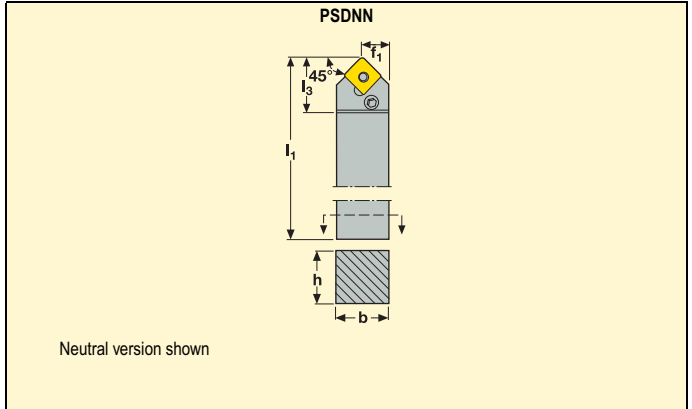
Please check availability in current price and stock-list

Turning – Toolholders, external

Toolholders for inserts SNMG and SNMM



- Inserts, please see page 23
- γ_0° = Rake angle, λ_0° = Inclination angle



Application		Part No.	Dimensions in mm					γ_0°	λ_0°	KG	
			h	b	l_1	f_1	l_3				
45° 	25	PSDNN 4040S25	40	40	250	20	50	-6	-6	3,2	SN..2507..
		4040T25	40	40	300	25	50	-6	-6	3,8	SN..2507..

Spare Parts, Parts included in delivery

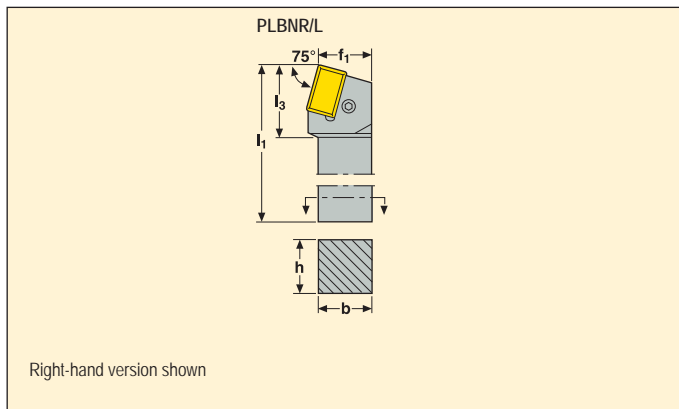
	Anvil	Lever	Anvil pin	Screw	Key	Punch
Toolholder/ Insert dimension						
..25	PSN250624	PP1325	RP1312	LS1326	5 SMS795	MP25

Please check availability in current price and stock-list

Toolholders for inserts LNMX



- Inserts, please see page 20
- γ_0° = Rake angle, λ_s° = Inclination angle



Application		Part No.	Dimensions in mm					γ_0°	λ_s°	 KG		
			h	b	l_1	f_1	l_3					
75° 	40	PLBNR 6060V40-A	60	60	400	61,4	62	-6	-6	11,3	LNMX401432	
		PLBNL 6060V40-A	60	60	400	61,4	62	-6	-6	11,3	LNMX401432	
	50	PLBNR 6060V50	60	60	400	60,0	68	-6	-6	11,5	LNMX501432	
		PLBNL 6060V50	60	60	400	60,0	68	-6	-6	11,5	LNMX501432	

Spare Parts, Parts included in delivery

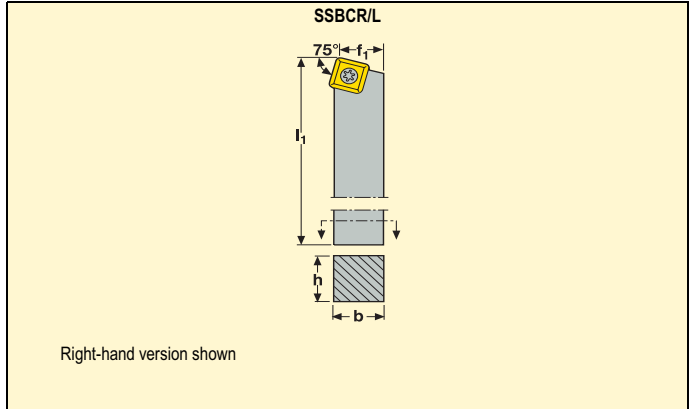
Toolholder/ Insert dimension	Anvil	Lever	Anvil pin	Screw	Key	Punch
.40	PLN400632	PP1325	RP1312	LS1240	5 SMS795	MP25
.50	PLN500632	PP1325	RP1312	LS1240	5 SMS795	MP25

Please check availability in current price and stock-list

Toolholders for inserts SCMT



- Inserts, please see page 22
- γ_0° = Rake angle, λ_s° = Inclination angle



Application		Part No.	Dimensions in mm				γ_0°	λ_s°			
			h	b	l_1	f_1					
45° 	25	SSBCR4040S25	40	40	250	35	0	0	3,1	SC..2509..	
		38	SSBCR 5050T38	50	50	300	43	0	0	5,8	SC..3809..
			6060V38	60	60	400	53	0	0	10,8	SC..3809..
			SSBCL 5050T38	50	50	300	43	0	0	5,8	SC..3809..
			6060V38	60	60	400	53	0	0	10,8	SC..3809..

Spare Parts, Parts included in delivery

Toolholder/ Insert dimension	Anvil	Anvil screw/ Key*		Locking screw/ Key*	
..25	110.19-629	CA8020	5 SMS795	C08020-T30P	T30P-7
..38	112.19-624	CA8020	5 SMS795	C08020-T30P	T30P-7

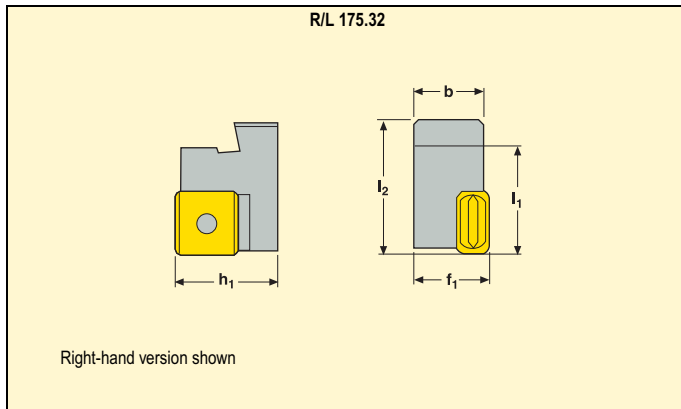
Please check availability in current price and stock-list

*Use Molykote 1000 on the screws

Cassettes for Re-machining operations



• Inserts, please see page 19



Application		Part No.	Dimensions in mm						KG	
			h_1	b	l_2	l_1	f_1			
	19	R175.32 -3223-19	32	22.6	42.2	35	23	0,2	LNMX191940	
		L175.32 -3223-19	32	22,6	42,2	35	23	0,2	LNMX191940	
	30	R175.32 -3223-30	32	22.6	42.2	35	23	0,2	LNMX301940	
		L175.32 -3223-30	32	22.6	42.2	35	23	0,2	LNMX301940	

Spare Parts, Parts included in delivery

Toolholder/ Insert dimension	Anvil	Anvil screw/ Key*		Pin/ Key	
-3223-19	LN190450	174.10-650.9-T07P	T07P-2	MN1515SL-T15P	T15P-2
-3223-30	LN300450	174.10-650.9-T07P	T07P-2	MN1515SL-T15P	T15P-2

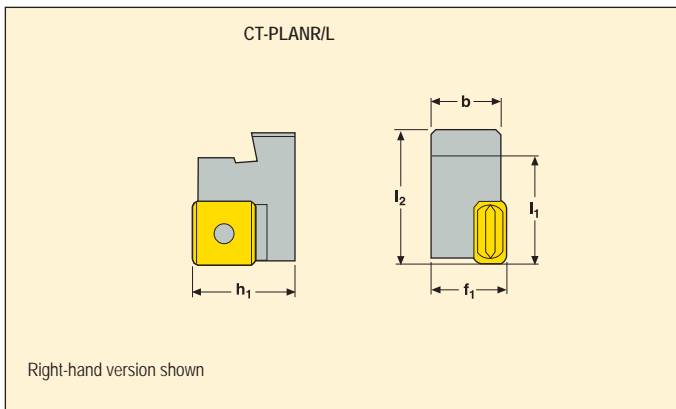
Please check availability in current price and stock-list

*To be ordered separately

Toolholders for inserts LNMX



• Inserts, please see page 19



Application		Part No.	Dimensions in mm					 KG	
			h ₁	b	l ₂	l ₁	f ₁		
	19	CT-PLANR3223-19	32	22,6	42,2	35	23	0,2	LNMX191940
		CT-PLANL3223-19	32	22,6	42,2	35	23	0,2	LNMX191940

Spare Parts, Parts included in delivery

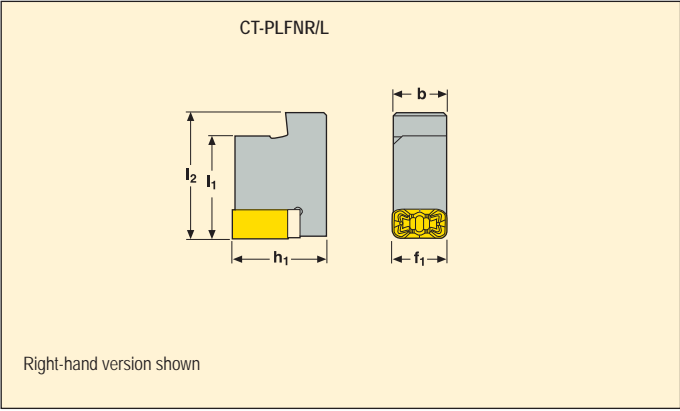
Toolholder/ Insert dimension	Anvil	Anvil screw/Key	Pin	Torx driver for insert screw
CT-PLANR/L	LN190450	174.10-650.9-T07P	T07P-2	MN1515SL-T15P
				T15P-2

Please check availability in current price and stock-list

Toolholders for inserts LNMX



• Inserts, please see page 19



Application		Part No.	Dimensions in mm					 KG	
			h ₁	b	l ₂	l ₁	f ₁		
	19	CT-PLFNR3219-19	32	18,2	43	35	19	0,2	LNMX191940
		CT-PLFNL3219-19	32	18,2	43	35	19	0,2	LNMX191940

Spare Parts, Parts included in delivery

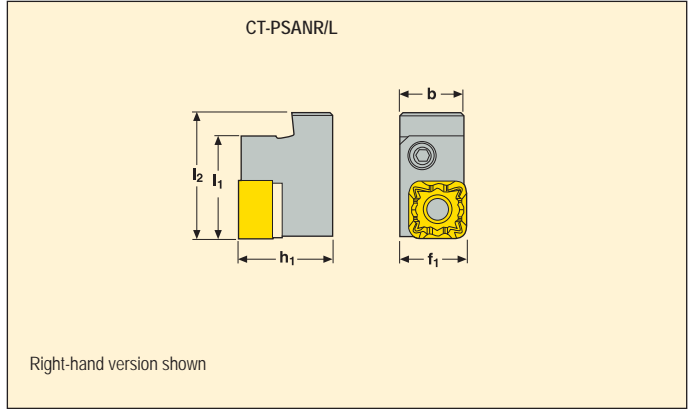
Toolholder/ Insert dimension	Anvil	Anvil screw/Key	Pin	Torx driver for insert screw
CT-PLFNR/L	LN190450	174.10-650.9-T07P	T07P-2	MN1515SL-T15P

Please check availability in current price and stock-list

Toolholders for inserts SNMX



- Inserts, please see page 20



Application	19	Part No.	Dimensions in mm					KG	
			h_1	b	l_2	l_1	f_1		
		CT-PSANR3223-1911	32	22,6	43	35	23	0,2	SNMX191140
		CT-PSANL3223-1911	32	22,6	43	35	23	0,2	SNMX191140

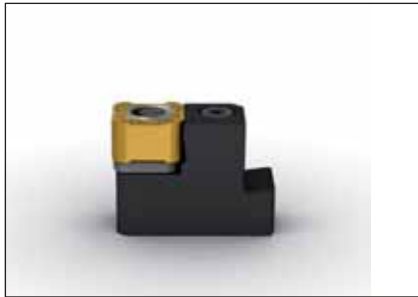
Spare Parts, Parts included in delivery

Toolholder/ Insert dimension	Anvil	Lever	Anvil pin	Lever screw	Key	Punch
CT-PSFNR/L	PSN19X340	PP6020	RP9811	LS1030	4 SMS795	MP1519

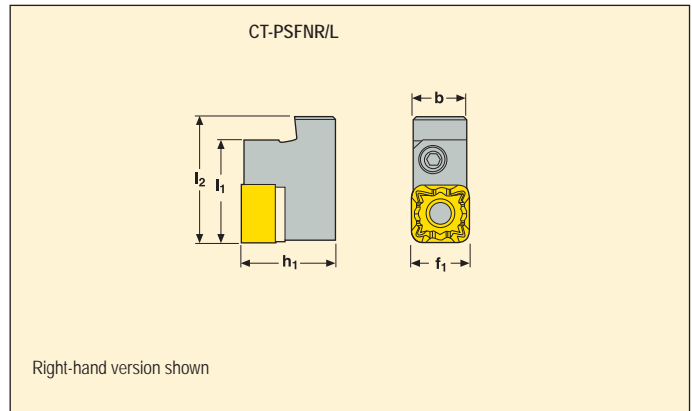
Please check availability in current price and stock-list

Turning – Cassettes for railway wheel machining

Toolholders for inserts SNMX



• Inserts, please see page 20



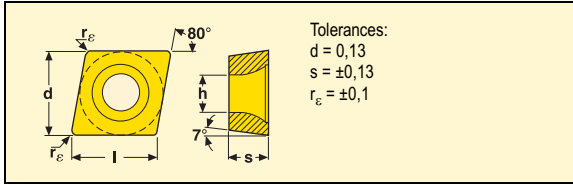
Application		Part No.	Dimensions in mm						
			h_1	b	l_2	l_1	f_1		
	19	CT-PSFNR3219-1911	32	18,25	43	35	19	0,2	SNMX191140
		CT-PSFNL3219-1911	32	18,25	43	35	19	0,2	SNMX191140

Spare Parts, Parts included in delivery

Toolholder/ Insert dimension	Anvil	Lever	Anvil pin	Lever screw	Key	Punch
CT-PSFNR/L	PSN19X340	PP6020	RP9811	LS1030	4 SMS795	MP1519

Please check availability in current price and stock-list

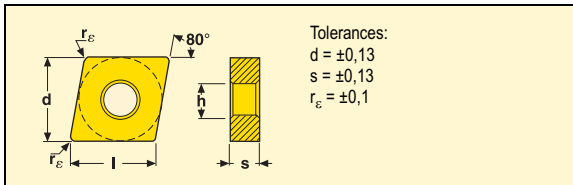
CCMT



Size	Dimensions in mm				
	d	l	s	h	r_e
25	25,40	25,8	9,52	8,7	2,4

Inserts	Part No.	Grades																						
		Coated												Uncoated		Cermets								
		TP0500	TP1500	TP2500	TP3500	TP200	TP40	TH1000	TH1500	TM2000	TM4000	TK1001	TK2001	TS2000	TS2500	CP200	CP500	HX	KX	883	890	TP1020	TP1030	
CCMT-F2	CCMT 250924T-F2					■																		

CNMG

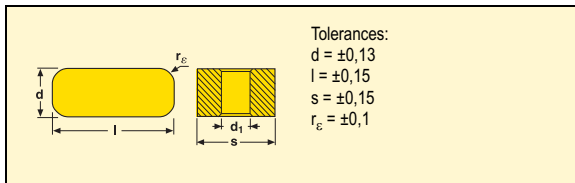


Size	Dimensions in mm				
	d	l	s	h	r_e
25	25,40	25,8	9,52	9,12	2,4

Inserts	Part No.	Grades																						
		Coated												Uncoated		Cermets								
		TP0500	TP1500	TP2500	TP3500	TP200	TP40	TH1000	TH1500	TM2000	TM4000	TK1001	TK2001	TS2000	TS2500	CP200	CP500	HX	KX	883	890	TP1020	TP1030	
CNMG-MR4	CNMG 250924-MR4				■																			
CNMG-MR7	CNMG 250924-MR7	■	■	■	■																			

■ Stock standard
 Subject to change refer to current price and stock-list

LNMX



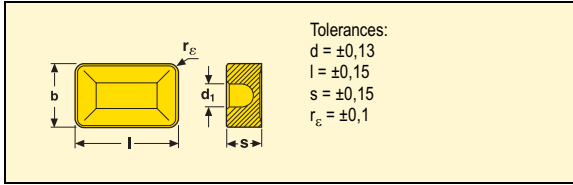
Size	Dimensions in mm				
	d	l	s	d ₁	r _c
19	10	19,05	19,05	6,35	4,0
30	12	30,00	19,05	6,35	4,0

Inserts	Part No.	Grades																						
		Coated												Uncoated		Cermet								
		TP0500	TP1500	TP2500	TP3500	TP200	TP40	TH1000	TH1500	TM2000	TM4000	TK1001	TK2001	TS2000	TS2500	CP200	CP500	HX	KX	883	890	TP1020	TP1030	
	LNMX 191940-MF		■	■																				
	LNMX 301940-MF		■	■																				
	LNMX 191940-MR		■	■									■											
	LNMX 301940-MR		■	■																				
	LNMX 191940-R2	■	■																					
	LNMX 301940-R2	■	■																					
	LNMX 191940-RR94	■	■																					
	LNMX 301940-RR94	■	■																					
	LNMX 301940-RR97	■	■																					

■ Stock standard

Subject to change refer to current price and stock-list

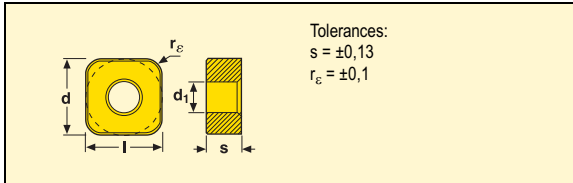
LNMX



Size	Dimensions in mm				
	d	l	s	d ₁	r _E
40	25,2	40,00	14	9,30	3,2
50	25,4	50,80	14	9,30	3,2
50	25,4	50,80	14	6,35	3,2

Inserts	Part No.	Grades																					
		Coated											Uncoated				Cermet						
		TP0500	TP1500	TP2500	TP3500	TP200	TP40	TH1000	TH1500	TM2000	TM4000	TK1001	TK2001	TS2000	TS2500	CP200	CP500	HX	KX	883	890	TP1020	TP1030
 LNMX-RR93	LNMX 401432-RR93	■	■			■																	
 LNMX-RR96	LNMX 401432-RR96		■	■		■																	
	LNMX 501432-RR96		■	■		■																	
 LNMX-RR97	LNMX 501432-1-RR97					■	■																

SNMX



Size	Dimensions in mm			
	l	s	d ₁	r _E
19	19,05	11	7,75	4,0

Inserts	Part No.	Grades																					
		Coated											Uncoated				Cermet						
		TP0500	TP1500	TP2500	TP3500	TP200	TP40	TH1000	TH1500	TM2000	TM4000	TK1001	TK2001	TS2000	TS2500	CP200	CP500	HX	KX	883	890	TP1020	TP1030
 SNMX-R2	SNMX 191140-R2	■	■			■																	

■ Stock standard
 Subject to change refer to current price and stock-list

RCMX

Tolerances:
 D = ±0,08
 D = ±0,10
 s = ±0,13

Size:
 20
 25, 32

Size	Dimensions in mm		
	D	s	h
20	20,0	6,35	6,5
25	25,0	7,94	7,2
32	32,0	9,52	9,5

Inserts	Part No.	Grades																						
		Coated												Uncoated				Cermet						
		TP0500	TP1500	TP2500	TP3500	TP200	TP40	TH1000	TH1500	TM2000	TM4000	TK1001	TK2001	TS2000	TS2500	CP200	CP500	HX	KX	883	890	TP1020	TP1030	
	RCMX 200600	■	■	■	■	■							■											
	RCMX 250700	■	■	■		■							■	■										
	RCMX 320900	■	■	■	■	■								■										
	RCMX 200600-R2	■																						
	RCMX 250700-R2	■																						
	RCMX 320900-R2	■																						
	RCMX 200600-RR94	■																						
	RCMX 250700-RR94	■										■												
	RCMX 320900-RR94	■																						
	RCMX 200600-RR97	■	■																					
	RCMX 250700-RR97	■																						
	RCMX 320900-RR97	■																						

■ Stock standard
 Subject to change refer to current price and stock-list

Turning – Inserts

RNMA, RNMG

Tolerances:
 $D = \pm 0,10$
 $D = \pm 0,13$
 $s = \pm 0,15$

Size:
 19
 25

Size	Dimensions in mm		
	D	s	h
19	19,05	6,35	7,92
25	25,40	9,52	9,12

Inserts	Part No.	Grades																						
		Coated												Uncoated		Cermet								
		TP0500	TP1500	TP2500	TP3500	TP200	TP40	TH1000	TH1500	TM2000	TM4000	TK1001	TK2001	TS2000	TS2500	CP200	CP500	HX	KX	883	890	TP1020	TP1030	
RNMA 	RNMA 190600											■												
RNMG-MR4 	RNMG 190600-MR4													■						■				
	RNMG 250900-MR4													■						■				

SCMT

Tolerances:
 $l = \pm 0,13$
 $l = \pm 0,15$
 $s = \pm 0,13$
 $s = \pm 0,15$
 $r_c = \pm 0,1$

Size:
 25
 38

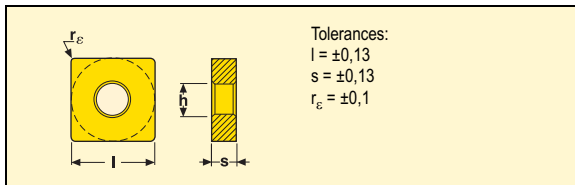
Size	Dimensions in mm			
	l	s	h	r_c
25	25,40	9,52	8,7	2,4
38	38,10	9,52	8,7	3,2

Inserts	Part No.	Grades																						
		Coated												Uncoated		Cermet								
		TP0500	TP1500	TP2500	TP3500	TP200	TP40	TH1000	TH1500	TM2000	TM4000	TK1001	TK2001	TS2000	TS2500	CP200	CP500	HX	KX	883	890	TP1020	TP1030	
SCMT25-F2 	SCMT 250924T-F2			■		■																		
SCMT-RR96 	SCMT 250924-RR96	■																						
	SCMT 380932-RR96					■																		
SCMT-RR97 	SCMT 250924-RR97	■																						
	SCMT 380932-RR97	■																						

■ Stock standard

Subject to change refer to current price and stock-list

SNMG, SNMM



Size	Dimensions in mm			
	l	s	h	r _e
2507	25,40	7,94	9,12	2,4
2509	25,40	9,52	9,12	2,4

Inserts	Part No.	Grades																						
		Coated												Uncoated		Cermets								
		TP0500	TP1500	TP2500	TP3500	TP200	TP40	TH1000	TH1500	TM2000	TM4000	TK1001	TK2001	TS2000	TS2500	CP200	CP500	HX	KX	883	890	TP1020	TP1030	
 SNMG-MR4	SNMG 250924-MR4																							
 SNMG-MR7	SNMG 250924-MR7	■		■	■	■														■				
 SNMM-R7	SNMM 250724-R7	■	■	■	■	■																		
	SNMM 250924-R7	■		■	■	■																		
 SNMM-R56	SNMM 250724-R56				■																			
	SNMM 250724-56					■																		
 SNMM-R68	SNMM 250924-R68	■		■																				
 SNMM-RR6	SNMM 250724-RR6				■	■																		
 SNMM-RR9	SNMM 250724-RR9					■		■																
 SNMM-57	SNMM 250724-57		■	■	■	■																		

■ Stock standard

Subject to change refer to current price and stock-list