



2xD 2.5xD 4xD
INDEXABLE DRILLS



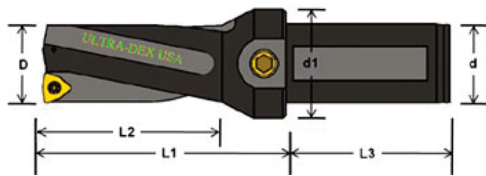
DRILLING

- Insert pockets precisely positioned to keep cutting forces low and evenly distributed, 80° Trigon Inserts offer 3 cutting edges!
- Spiral flutes to improve chip evacuation.



- Coolant-Thru access is located on both the shank and the side of the drill body.

BEST VALUE IN THE INDUSTRY!



2 x D Indexable Drills (Coated & Uncoated)

Coolant Thru

Designation	D	d	d1	L3	L1	L2	Insert	Screw	Price * Coated	Price						
UD-0625-2D-063	.625					1.375	WCMX 1.81.52	MTS-255	\$122.00	\$110.00						
UD-0656-2D-063	.656	.625	.987	1.687	2.280	1.406		T-7-S Wrench	\$122.00	\$110.00						
UD-0687-2D-063	.687					1.437			\$122.00	\$110.00						
UD-0719-2D-063	.719					1.467			\$122.00	\$110.00						
UD-0750-2D-075	.750										1.748	WCMX 21.52	MTS 25-DR T-8-S Wrench	\$143.00	\$122.00	
UD-0781-2D-075	.781	.750	1.220	2.000	2.810	1.780	\$143.00	\$122.00								
UD-0812-2D-075	.812					1.811	\$143.00	\$122.00								
UD-0844-2D-075	.844					1.850	\$143.00	\$122.00								
UD-0875-2D-075	.875					1.874	\$143.00	\$122.00								
UD-0906-2D-075	.906					1.910	\$143.00	\$122.00								
UD-0937-2D-075	.937					1.935	\$143.00	\$122.00								
UD-0968-2D-075	.968					1.970	\$143.00	\$122.00								
UD-1000-2D-100	1.000					1.000	1.450	2.375	3.235	2.345	WCMX 2.522			MTS 3-DR T-9-S Wrench	\$168.00	\$134.00
UD-1031-2D-100	1.031									2.375					\$168.00	\$134.00
UD-1062-2D-100	1.062									2.406					\$168.00	\$134.00
UD-1094-2D-100	1.094									2.438					\$168.00	\$134.00
UD-1125-2D-100	1.125									2.469		\$168.00	\$134.00			
UD-1156-2D-100	1.156	2.500	\$168.00	\$134.00												
UD-1187-2D-100	1.187	2.532	\$168.00	\$134.00												
UD-1219-2D-100	1.219	2.564	\$168.00	\$134.00												
UD-1250-2D-125	1.250	1.250	1.730	2.619	3.886					2.710		WCMX 32.52	MTS 35-DR T-10-S Wrench		\$197.00	\$159.00
UD-1312-2D-125	1.312									2.771					\$197.00	\$159.00
UD-1343-2D-125	1.343					2.802	\$197.00	\$159.00								
UD-1375-2D-125	1.375					2.833	\$197.00	\$159.00								
UD-1437-2D-125	1.437					2.896	\$197.00	\$159.00								
UD-1500-2D-125	1.500		1.970	4.426	5.025	3.250	\$225.00	\$184.00								
UD-1562-2D-125	1.562					3.312	\$225.00	\$184.00								
UD-1625-2D-125	1.625					3.375	\$242.00	\$197.00								
UD-1687-2D-125	1.687					3.437	\$242.00	\$197.00								
UD-1750-2D-150	1.750					1.500	2.220	2.875	5.025	3.850	WCMX 433			MTS 4-DR T-15-S Wrench	\$258.00	\$209.00
UD-1812-2D-150	1.812	3.912	\$258.00	\$209.00												
UD-1875-2D-150	1.875	3.975	\$300.00	\$245.00												
UD-1937-2D-150	1.937	4.036	\$300.00	\$245.00												
UD-2000-2D-150	2.000	4.469	\$324.00	\$270.00												
UD-2125-2D-150	2.125	2.470	5.687	4.593	\$353.00		\$295.00									
UD-2250-2D-150	2.250			4.717	\$378.00		\$320.00									
UD-2375-2D-150	2.375			4.840	\$402.00		\$344.00									

* Coated with ION Nitride (Add -C to the end of designation)



Hardware
pg: 112



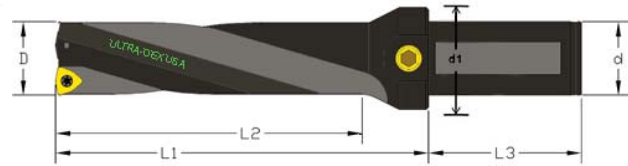
Inserts
pg: 103

Proudly Made in Flushing, MI USA

DRILLING

Indexable Drills

ULTRA-DEX USA



4 x D Indexable Drills (Coated & Uncoated)

Coolant Thru

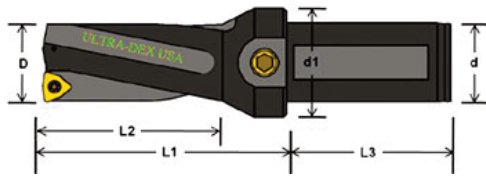
Designation	D	d	d1	L3	L1	L2	Insert	Screw	Price * Coated	Price						
UD-0625-4D-063	.625					2.815	WCMX 1.81.52	MTS-255 T-7-S Wrench	\$175.00	\$158.00						
UD-0656-4D-063	.656	.625	.987	1.687	3.720	2.847			\$175.00	\$158.00						
UD-0687-4D-063	.687					2.878			\$175.00	\$158.00						
UD-0719-4D-063	.719					2.911			\$175.00	\$158.00						
UD-0750-4D-075	.750									3.698	WCMX 21.52	MTS 25-DR T-8-S Wrench	\$205.00	\$175.00		
UD-0781-4D-075	.781	.750	1.220	2.000	4.763	3.729	\$205.00	\$175.00								
UD-0812-4D-075	.812					3.761	\$205.00	\$175.00								
UD-0844-4D-075	.844					3.792	\$205.00	\$175.00								
UD-0875-4D-075	.875					3.824	\$205.00	\$175.00								
UD-0906-4D-075	.906					3.855	\$205.00	\$175.00								
UD-0937-4D-075	.937					3.885	\$205.00	\$175.00								
UD-0968-4D-075	.968					3.918	\$205.00	\$175.00								
UD-1000-4D-100	1.000					1.000	1.450	2.375	5.685	4.635			WCMX 2.522	MTS 3-DR T-9-S Wrench	\$240.00	\$193.00
UD-1031-4D-100	1.031									4.666					\$240.00	\$193.00
UD-1062-4D-100	1.062									4.696					\$240.00	\$193.00
UD-1094-4D-100	1.094									4.728	\$240.00	\$193.00				
UD-1125-4D-100	1.125	4.760	\$240.00	\$193.00												
UD-1156-4D-100	1.156	4.792	\$240.00	\$193.00												
UD-1187-4D-100	1.187	4.822	\$240.00	\$193.00												
UD-1219-4D-100	1.219	4.864	\$240.00	\$193.00												
UD-1250-4D-125	1.250	1.250	1.730	2.619	6.760	5.585	WCMX 32.52	MTS 35-DR T-10-S Wrench	\$281.00	\$228.00						
UD-1312-4D-125	1.312					5.646			\$281.00	\$228.00						
UD-1375-4D-125	1.375					5.708			\$281.00	\$228.00						
UD-1437-4D-125	1.437					5.771			\$281.00	\$228.00						
UD-1500-4D-125	1.500		1.970	7.800	8.900	6.632			\$322.00	\$264.00						
UD-1562-4D-125	1.562					6.695			\$322.00	\$264.00						
UD-1625-4D-125	1.625					6.757			\$346.00	\$281.00						
UD-1687-4D-125	1.687					6.820			\$346.00	\$281.00						
UD-1750-4D-150	1.750	1.500	2.220	2.875	8.900	7.724	WCMX 433	MTS 4-DR T-15-S Wrench	\$369.00	\$299.00						
UD-1812-4D-150	1.812					7.786			\$369.00	\$299.00						
UD-1875-4D-150	1.875					7.849			\$428.00	\$352.00						
UD-1937-4D-150	1.937					7.911			\$428.00	\$352.00						
UD-2000-4D-150	2.000		2.470	10.347	9.263	\$459.00			\$382.00							
UD-2125-4D-150	2.125				9.387	\$505.00			\$422.00							
UD-2250-4D-150	2.250				9.512	\$540.00			\$458.00							
UD-2375-4D-150	2.375				9.637	\$575.00			\$493.00							

* Coated with ION Nitride (Add -C to the end of designation)

* Prices are subject to change without notice.

C

DRILLING



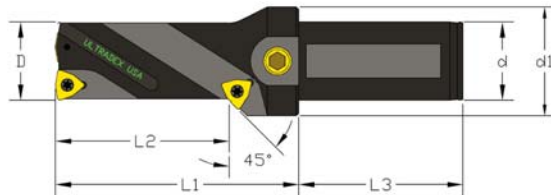
2.5 x D Indexable Drills (Coated & Uncoated)

Coolant Thru

Designation	D	d	d1	L3	L1	L2	Insert	Screw	Price * Coated	Price
UD-0437-2D-063	.437					1.280	WCMT 1.211	MTS 184	\$110.00	\$99.00
UD-0468-2D-063	.468					1.310		T-6-S	\$110.00	\$99.00
UD-0500-2D-063	.500	.625	.970	1.687	2.280	1.340	WCMT 1.51.51	Wrench	\$110.00	\$99.00
UD-0531-2D-063	.531					MTS 2		\$110.00	\$99.00	
UD-0562-2D-063	.562					T-6-S		\$110.00	\$99.00	
UD-0593-2D-063	.593					Wrench		\$110.00	\$99.00	

* Coated with ION Nitride (Add -C to the end of designation)

CHAMFER DRILLS



NEW!

2 x D Chamfer Drills (Coated & Uncoated)

Coolant Thru

Designation	D	d	d1	L3	L1	L2	Insert	Screw	Price * Coated	Price
UCD-0750-2D-075	.750	.750	1.220	2.000	2.810	1.748	WCMX 21.52	MTS 25-DR	\$258.00	\$220.00
UCD-1000-2D-100	1.000	1.000	1.450	2.375	3.235	2.345	WCMX 2.522	MTS 3-DR	\$302.00	\$242.00
UCD-1250-2D-125	1.250	1.250	1.730	2.619	3.886	2.710	WCMX 32.52	MTS 35-DR	\$354.00	\$286.00
UCD-1500-2D-125	1.500	1.250	1.970	2.619	4.426	3.250		MTS 35-DR	\$406.00	\$332.00
UCD-1750-2D-150	1.750	1.500	2.220	2.875	5.025	3.850	WCMX 433	MTS 4-DR	\$464.00	\$376.00
UCD-2000-2D-150	2.000	1.500	2.470	2.875	5.687	4.469		MTS 4-DR	\$584.00	\$486.00

* Coated with ION Nitride (Add -C to the end of designation)

Custom Chamfer Drills

Don't see the size chamfer drill your looking for above?

Complete the form on the next page with your specifications and fax it to us!



Hardware
pg: 112



Inserts
pg: 103

FAX TO 810.638.4001 FOR QUOTE

YOUR INFO:

COMPANY: _____

CONTACT: _____

PHONE: ()

EXT.: _____

DATE: / /

*PREFERRED DISTRIBUTOR INFO:

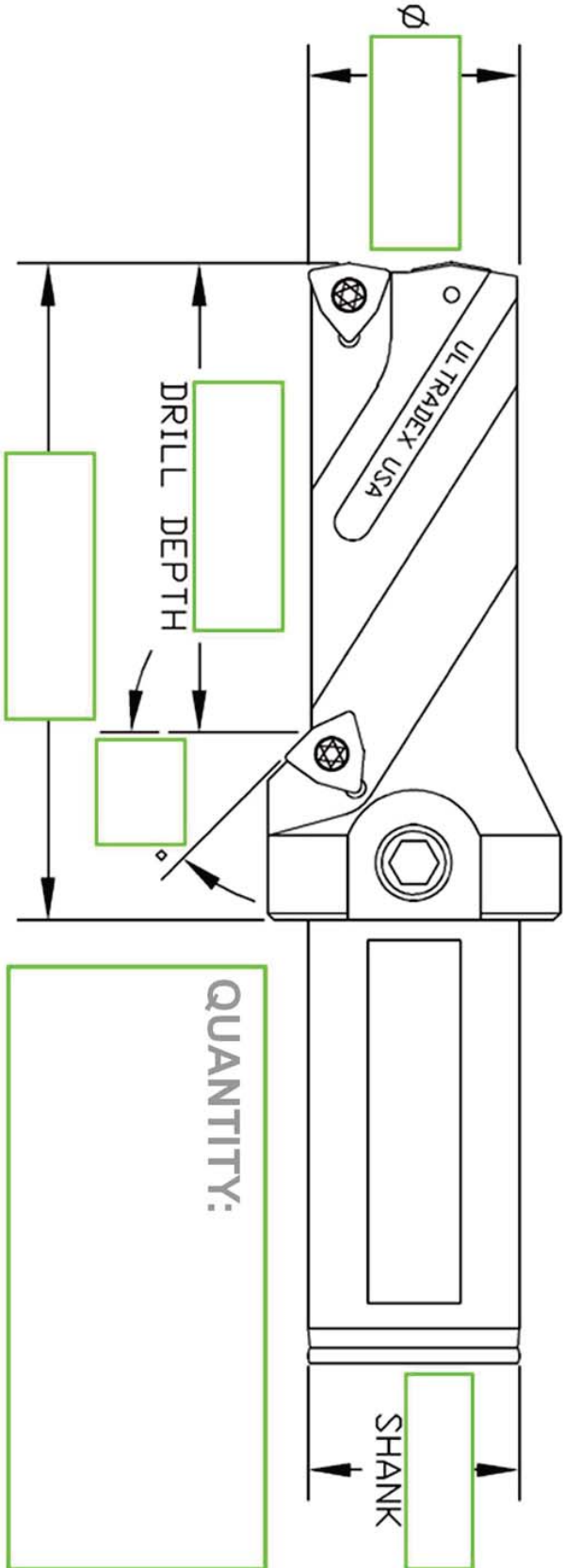
COMPANY: _____

CONTACT: _____

PHONE: ()

EXT.: _____

* If you do not have a preferred distributor, we can provide you with a list of distributors in your area to choose from.



DRILLING