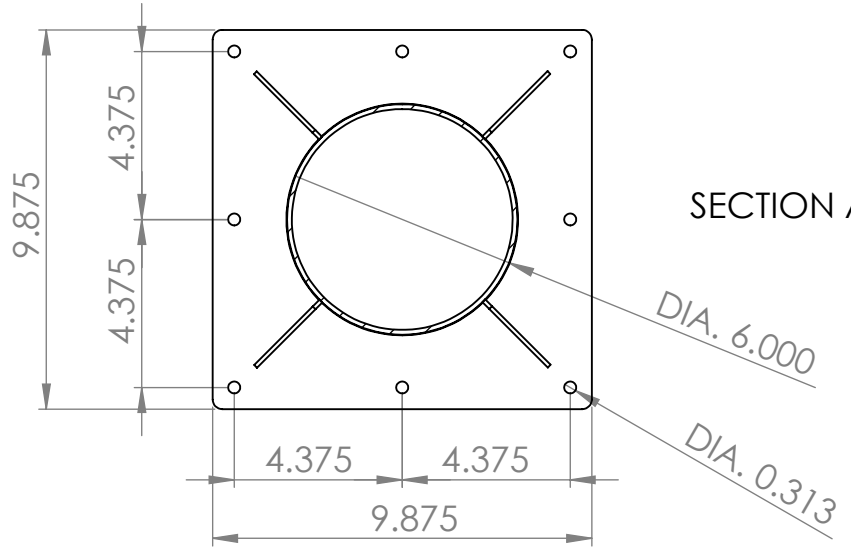
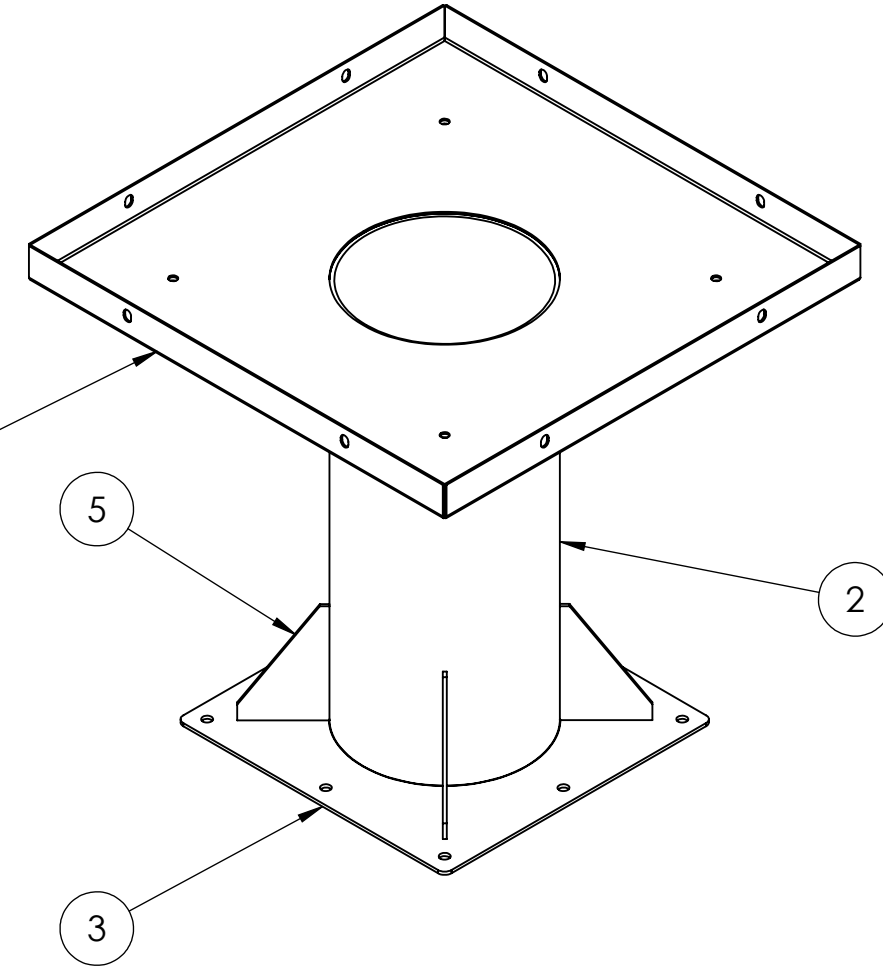
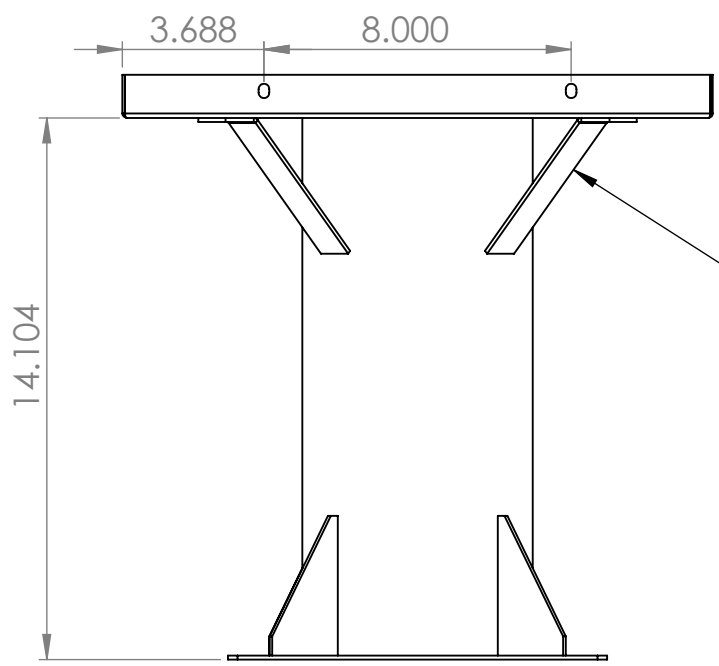
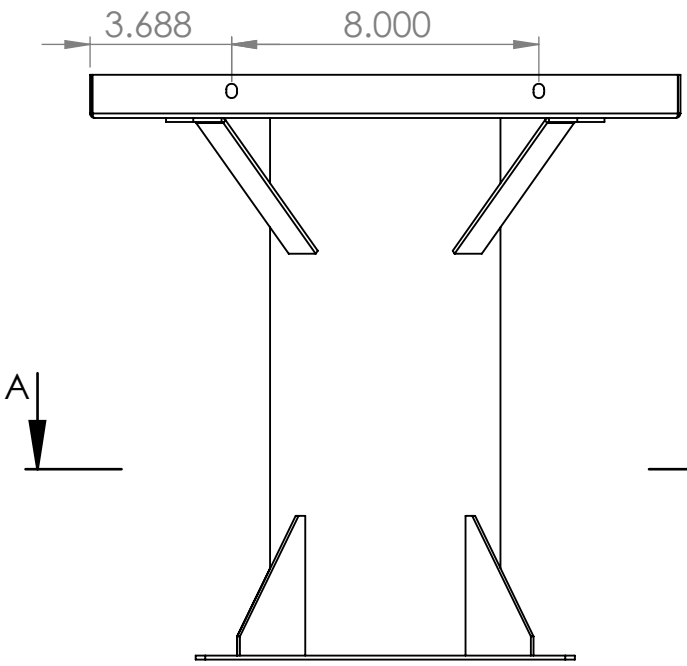
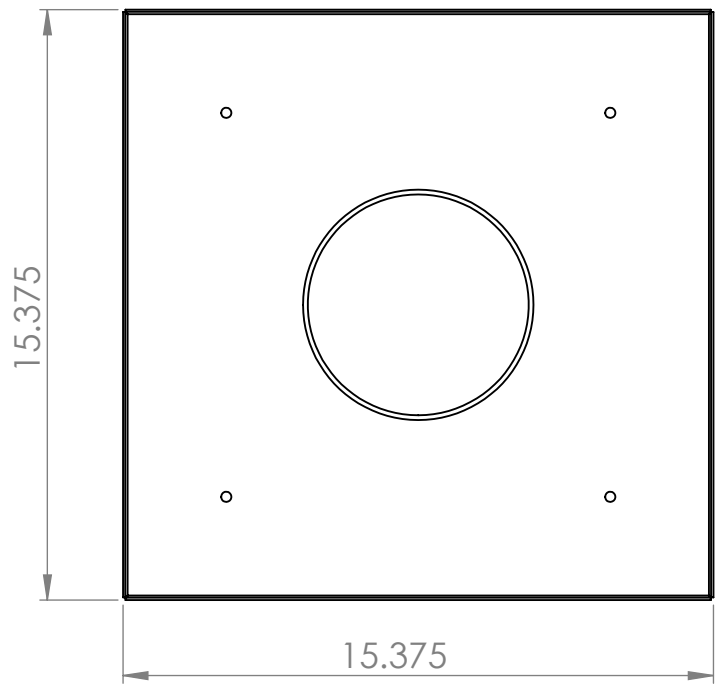


ITEM NO.	PART NUMBER	DESCRIPTION	QTY.
1	M05SUB-0051-XE	Standard Base, MF-350/550	1
2	6in Tube x 14in		1
3	M05SUB-0161-XB	Pedestal Base, Mori Seki NH4000	1
4	M05SUB-0066-XB	Brace, H.Plus Pedestal, MF-550	4
5	M05SUB-0162-XA	Base Gusset, Mori Seki NH4000	4



Note:
Welded Construction

UNLESS OTHERWISE SPECIFIED:
 DIMENSIONS ARE IN INCHES
 TOLERANCES:
 FRACTIONAL 1/64"
 ANGULAR: MACH BEND 1
 TWO PLACE DECIMAL 0.010
 THREE PLACE DECIMAL 0.005

PROPRIETARY AND CONFIDENTIAL

THE INFORMATION CONTAINED IN THIS DRAWING IS THE SOLE PROPERTY OF AEROEX TECHNOLOGIES INC. ANY REPRODUCTION IN PART OR AS A WHOLE WITHOUT THE WRITTEN PERMISSION OF AEROEX TECHNOLOGIES INC. IS STRICTLY PROHIBITED.

Rev.	Description	Date	By
C			
B	M05SUB-0161-XB was -XA re. 4.375" was 4.50" per customer	Aug. 11/22	T.B.
A	New	May 12/22	T.B.

Aeroex Technologies Inc.		MATERIAL
17 Hamilton Road		FINISH
Barrie, On L4N 8Y6		WEIGHT:
Tel. 705-734-0199		

TITLE: Pedestal, 14in, Mori Seki NH4000		SIZE B
DWG. NO. M05SIK-0161-XB		
Date: January 2, 2018	SCALE: 1:5 DO NOT SCALE DRAWING	SHEET 1 OF 1