



DOSATRON®

WATER POWERED DOSING TECHNOLOGY

SCHEMATICS

Dosatron Liquid Dispenser **Model # D14MZ10 – 14 GPM**

1:100 - 1:10

7 – 85 PSI

$\frac{3}{4}$ " NPT connection

Suggested Installation:

200 mesh/80 micron water filter prior to unit

One-way check valve downstream from unit for water hammer protection

Suggested Maintenance Interval:

Replace injection seals every 12 months

DOSATRON SALES & SERVICE - NORTH & CENTRAL AMERICA

Dosatron International, Inc.

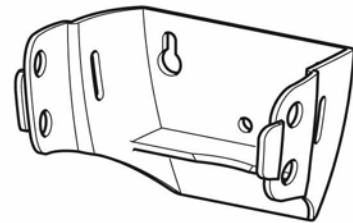
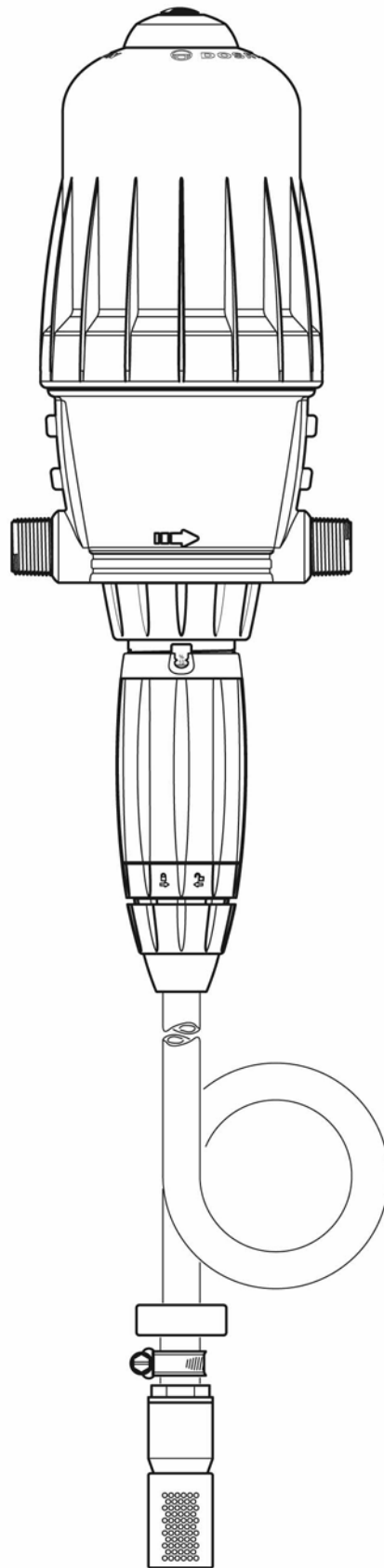
Phone: 727-443-5404 Service: (800) 523-8499

Fax: 727-447-0591

www.dosatronUSA.com

D14MZ10

14 GPM - 1:100 - 1:10
3 m³/h - 1 - 10 %
7 - 85 psi
0.5 - 6 bar



© DOSATRON INTERNATIONAL S.A.S. 2008
D14MZ10/0608/D1

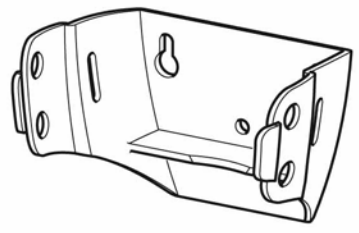
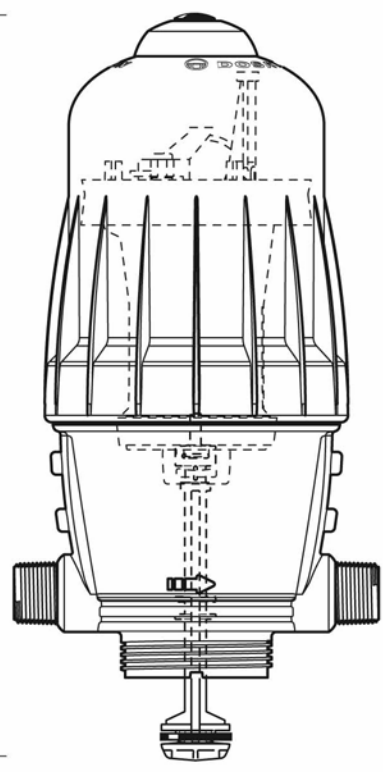
PJDI122 - Injection Seal Kit

PJDI122V - Injection Seal Kit for Viscous Hose

D14MZ10

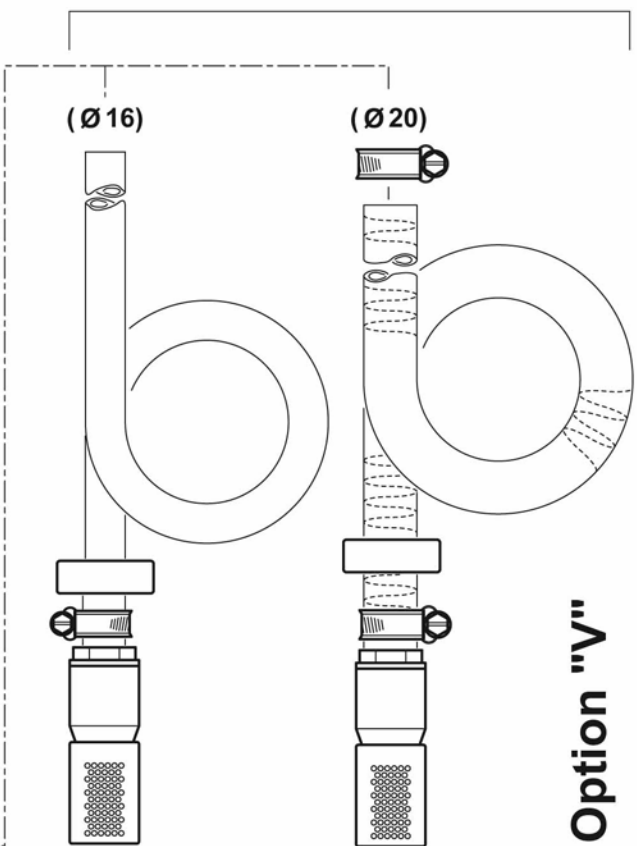
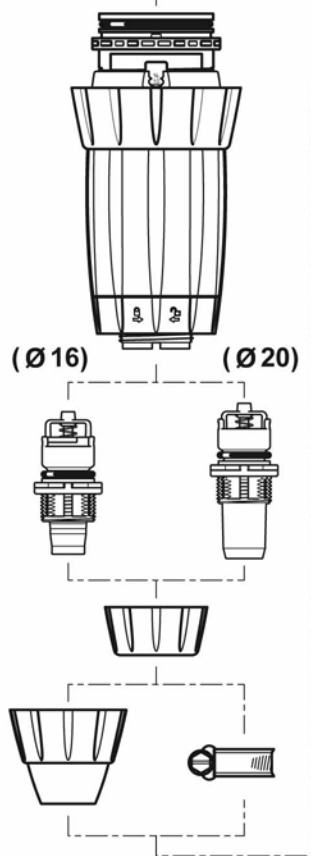
14 GPM - 1:100 - 1:10
3 m³/h - 1 - 10 %
7 - 85 psi
0.5 - 6 bar

C+M



A

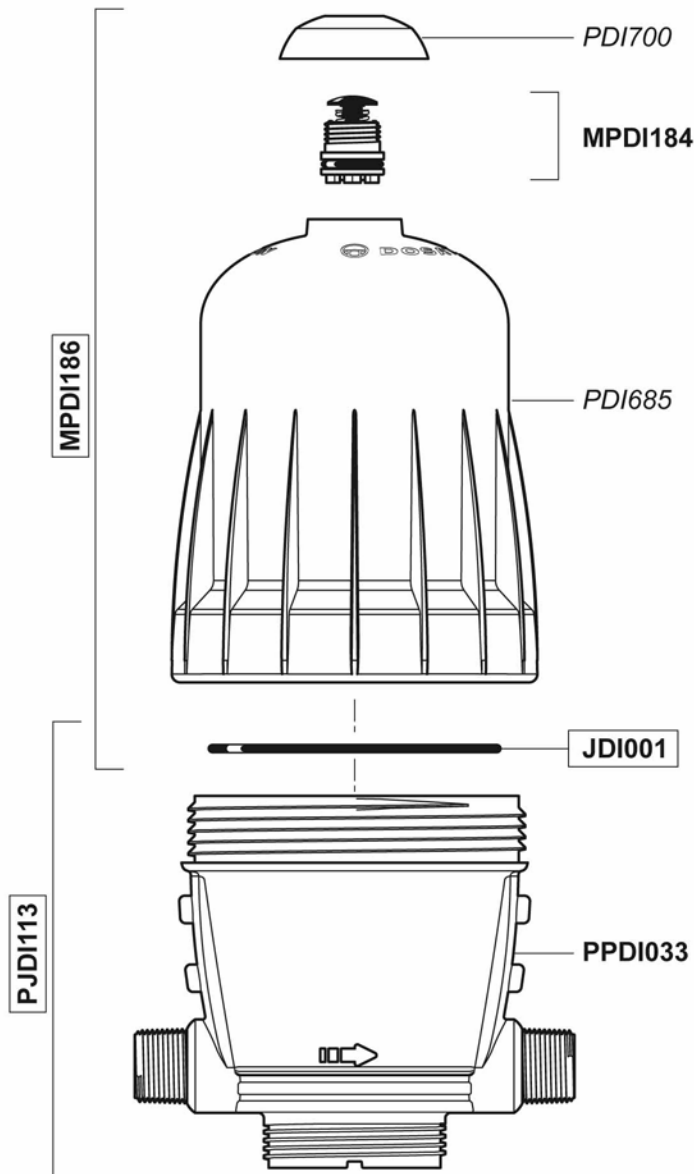
D



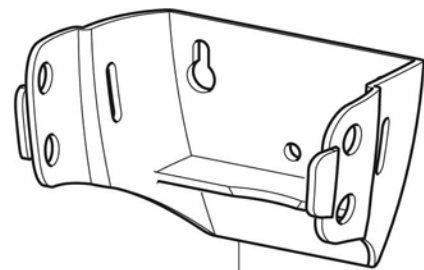
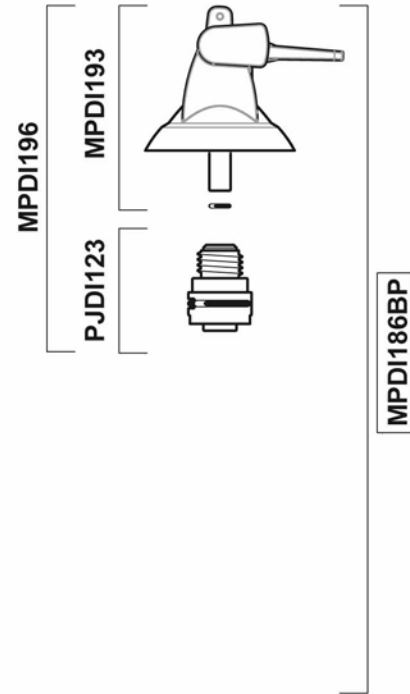
Option "V"

D14MZ10

14 GPM - 1:100 - 1:10
3 m³/h - 1 - 10 %
7 - 85 psi
0.5 - 6 bar



Option

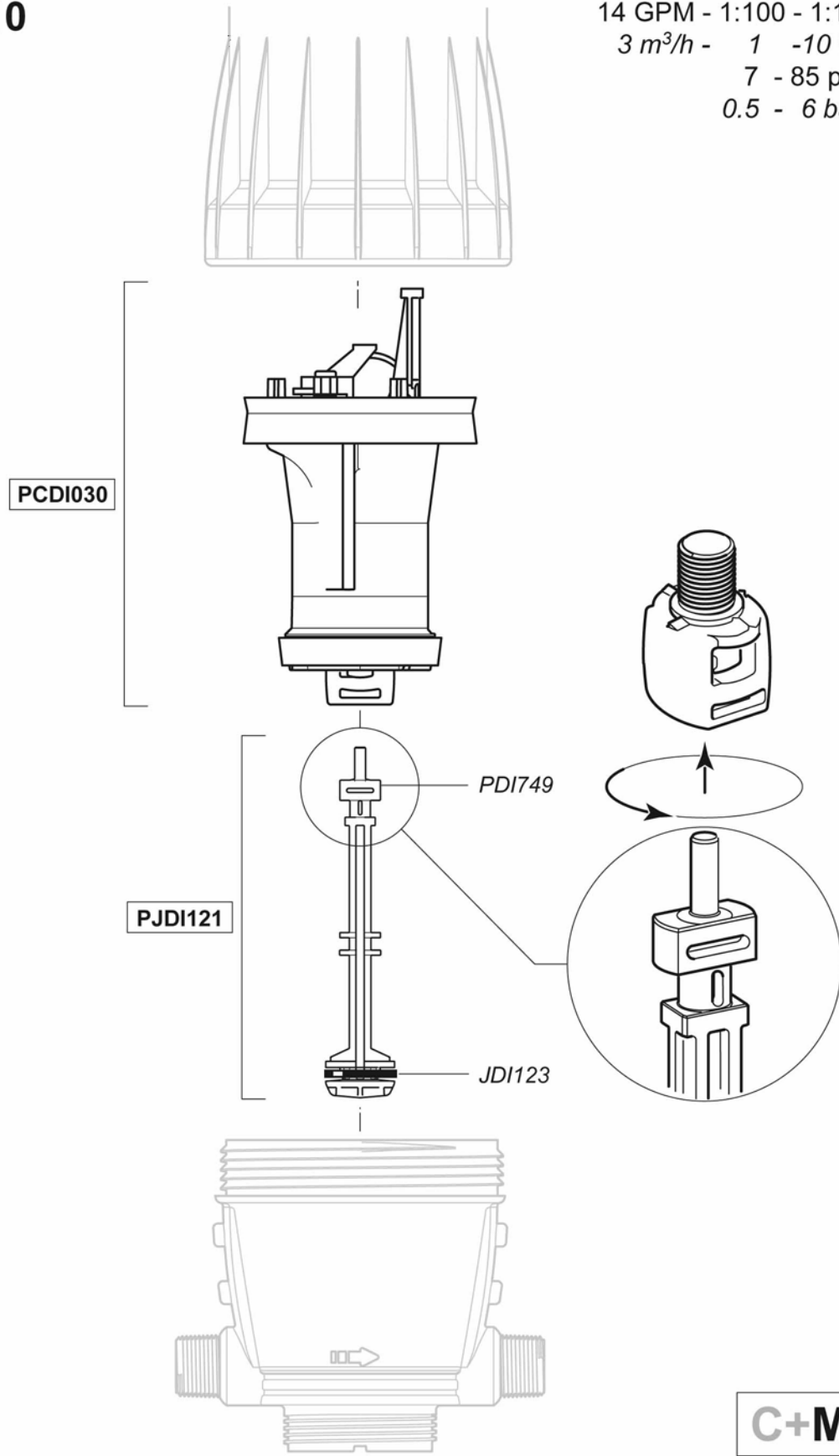


PDI703

C+M

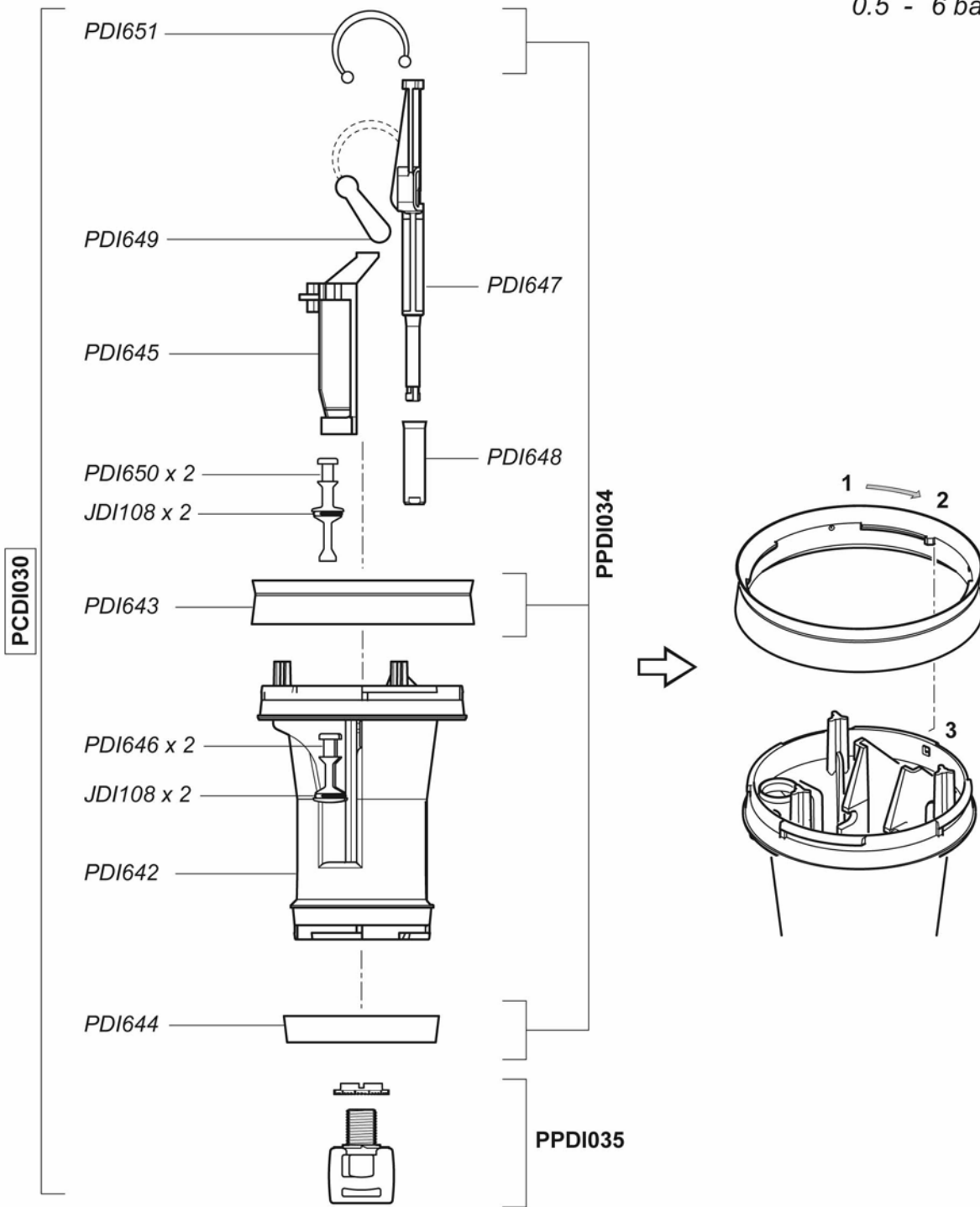
D14MZ10

14 GPM - 1:100 - 1:10
3 m³/h - 1 - 10 %
7 - 85 psi
0.5 - 6 bar



D14MZ10

14 GPM - 1:100 - 1:10
 3 m³/h - 1 - 10 %
 7 - 85 psi
 0.5 - 6 bar

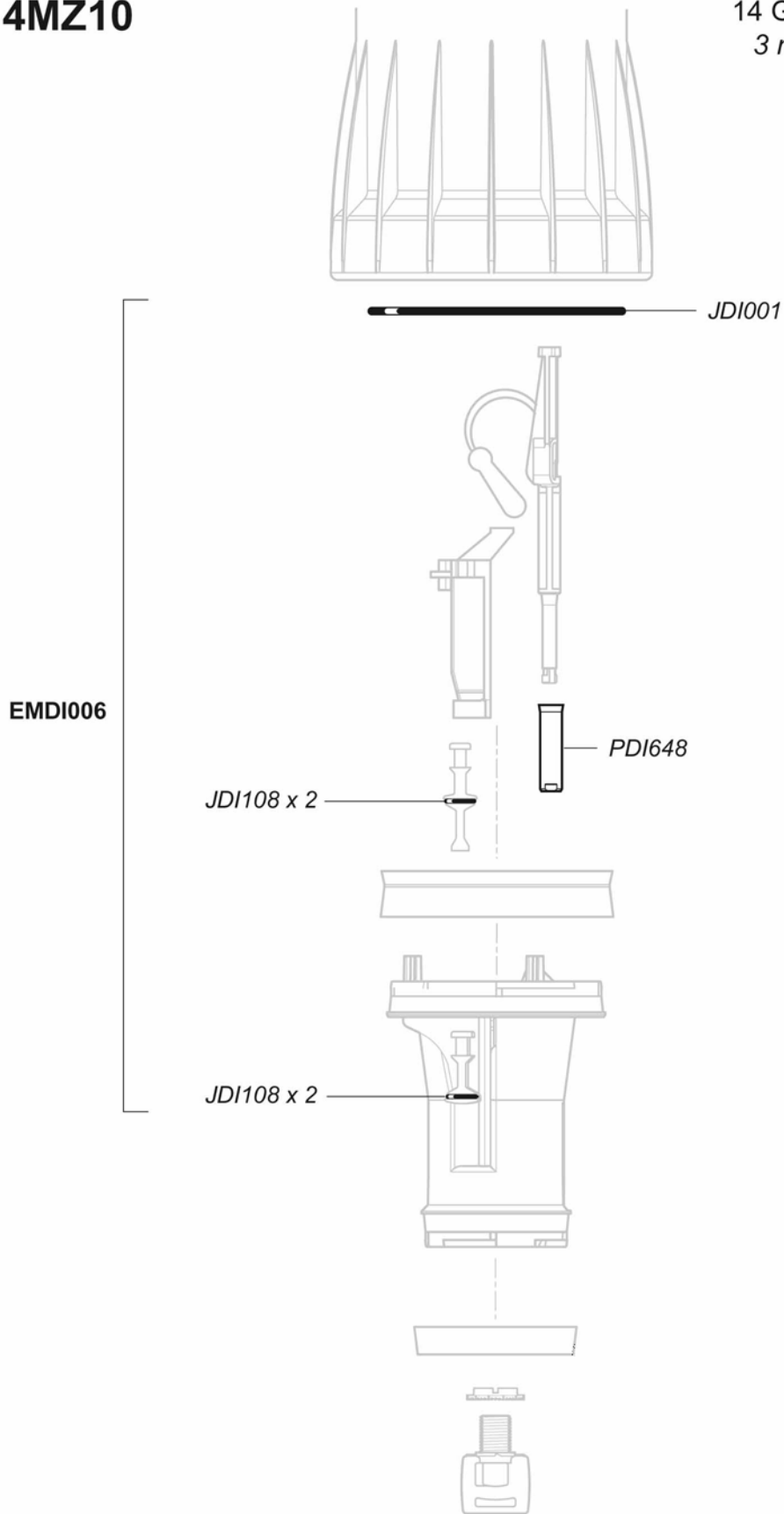


© DOSATRON INTERNATIONAL S.A.S. 2008
 D14MZ10/0608/ID5



D14MZ10

14 GPM - 1:100 - 1:10
3 m³/h - 1 - 10 %
7 - 85 psi
0.5 - 6 bar

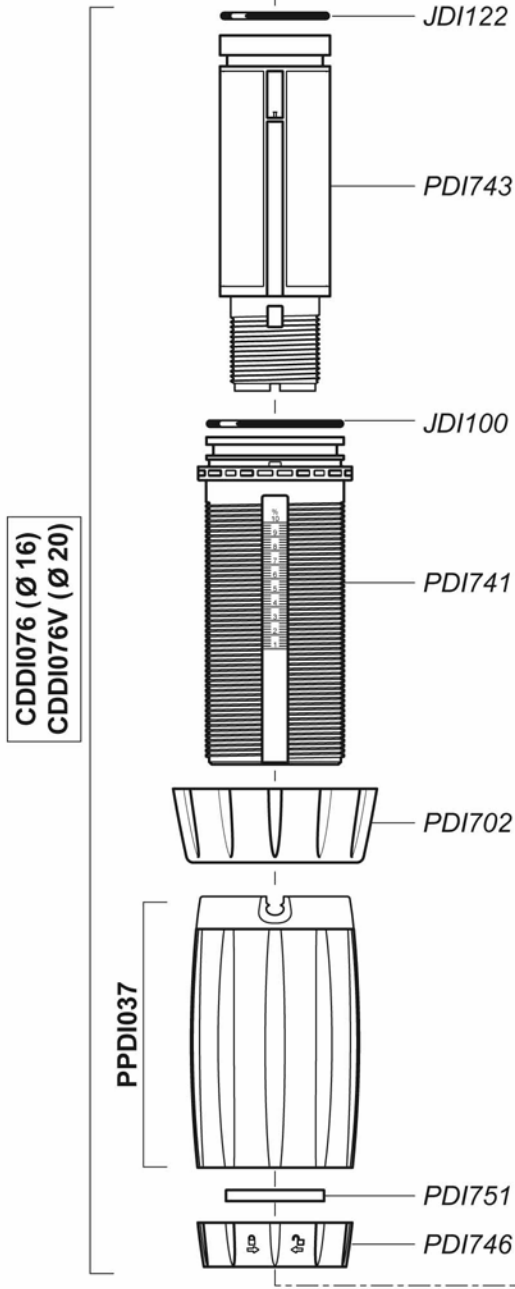
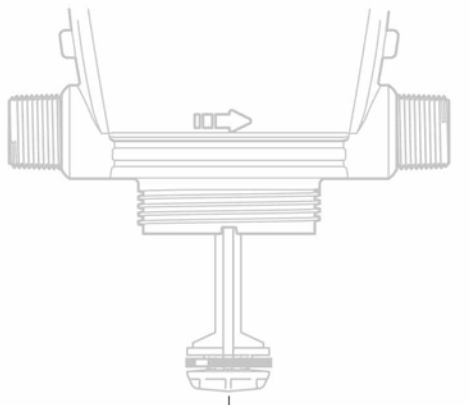


© DOSATRON INTERNATIONAL S.A.S. 2008
D14MZ10/0608/D6

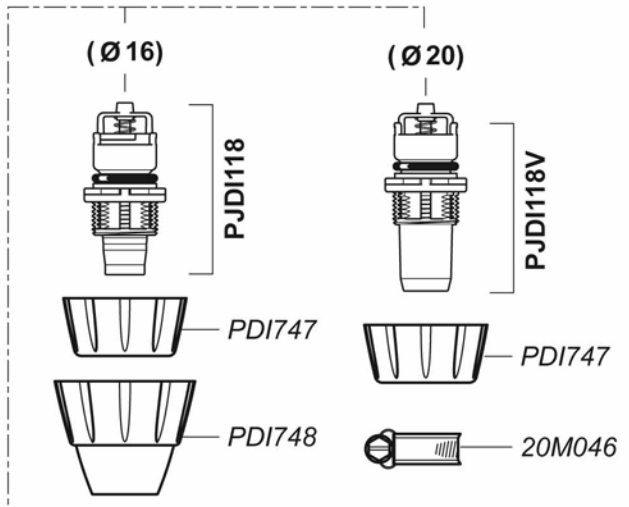


D14MZ10

14 GPM - 1:100 - 1:10
 3 m³/h - 1 - 10 %
 7 - 85 psi
 0.5 - 6 bar



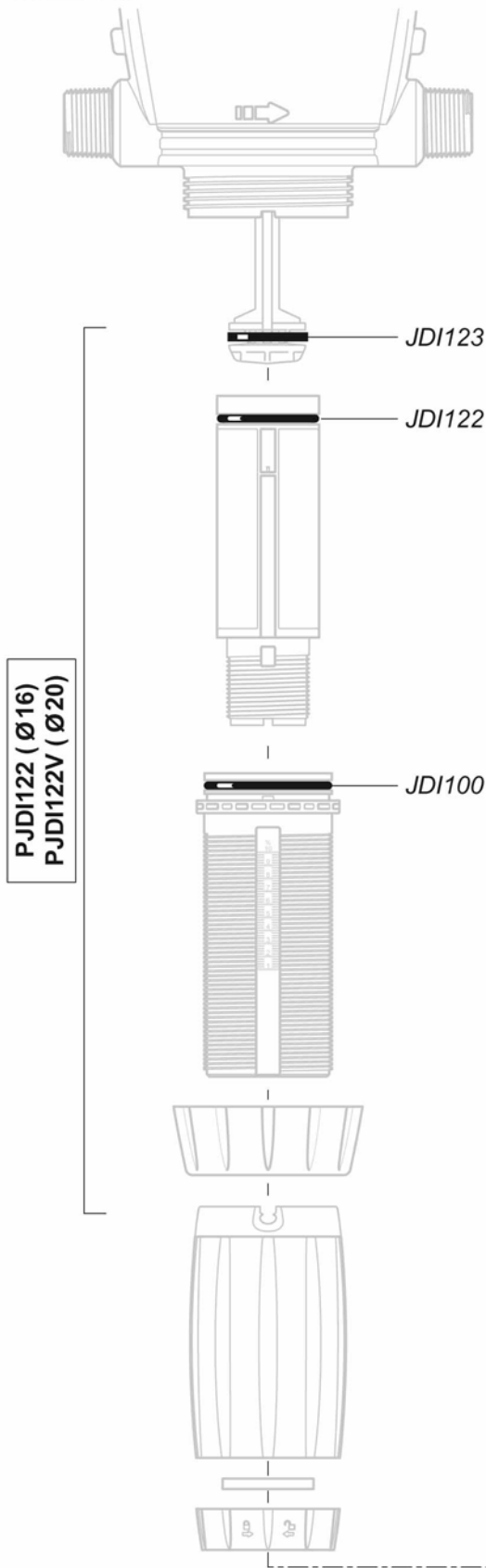
Option "V"



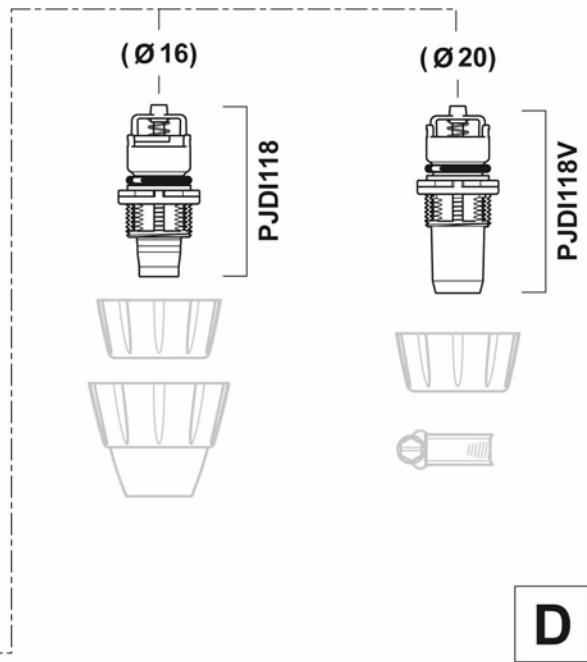
D

D14MZ10

14 GPM - 1:100 - 1:10
 3 m³/h - 1 - 10 %
 7 - 85 psi
 0.5 - 6 bar



Option "V"

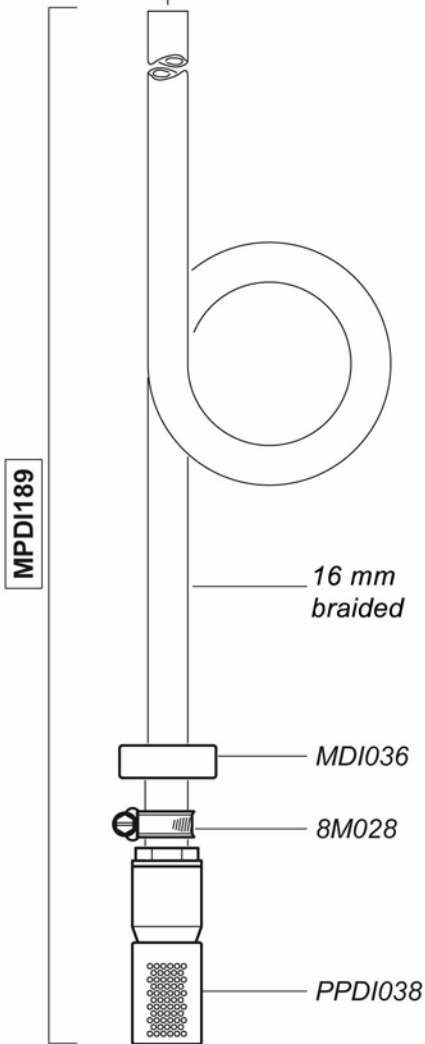


D14MZ10

14 GPM - 1:100 - 1:10
 3 m³/h - 1 - 10 %
 7 - 85 psi
 0.5 - 6 bar



(Ø16)



(Ø20)

Option "V"

