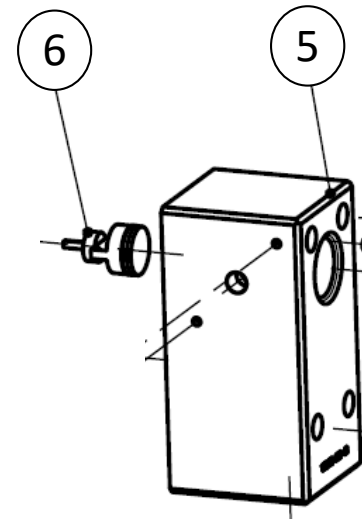
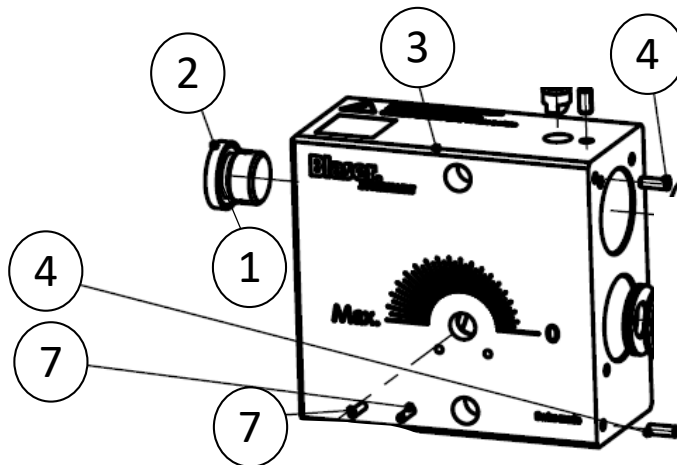


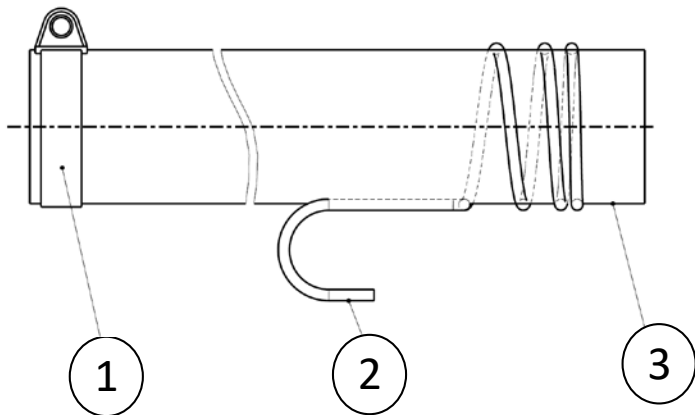
09294-01-0000 – Wall Mounting Kit

Item No.	Part No.	Description	Quantity
1	8426800	Socket Head Screw	2
2	8565500	Pin	2
3	8259900	Gasket Ring	1
4	5619800	Hose Barb	1
5	8568800	Hose Clip	2
6	5603700	Hose	1
7	0001190	Hose Barb	1

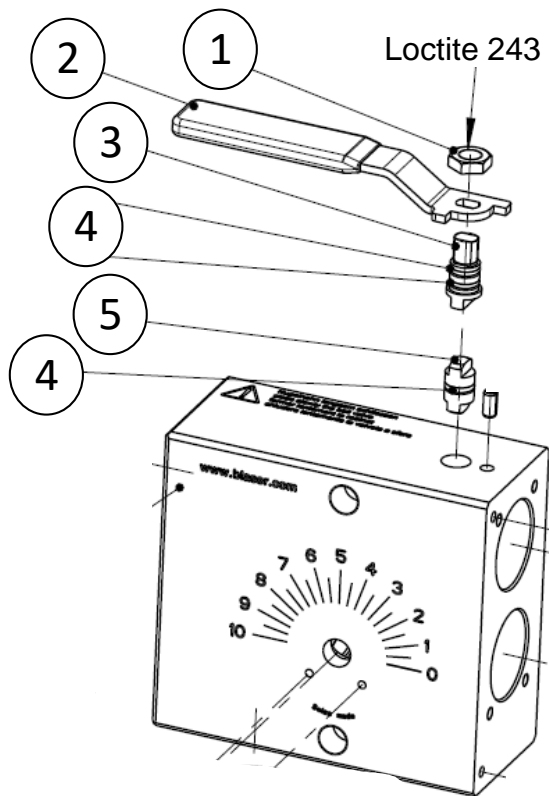
09275-01-2000– Housing Kit

Item No.	Part No.	Description	Quantity
1	8258003	O-ring	1
2	8430200	Screw Plug	1
3	5619002	Casing	1
4	8308000	Dowel Pin	2
5	5619101	Connecting Plate	1
6	5619700	Check Valve	1
7	8461100	Pin	2



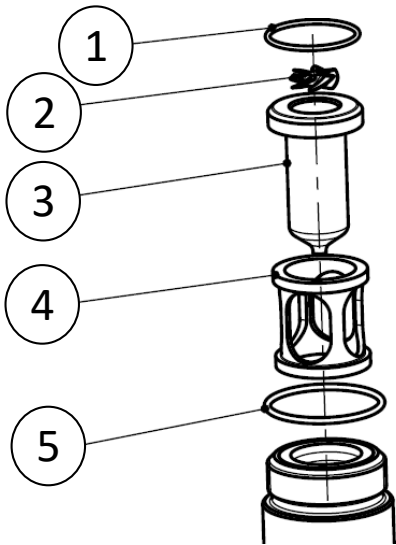


09275-01-2100 – Hose Kit			
Item No.	Part No.	Description	Quantity
1	856880	Hose Clip	1
2	561660	Hose Holder	1
3	5607400	Hose	1



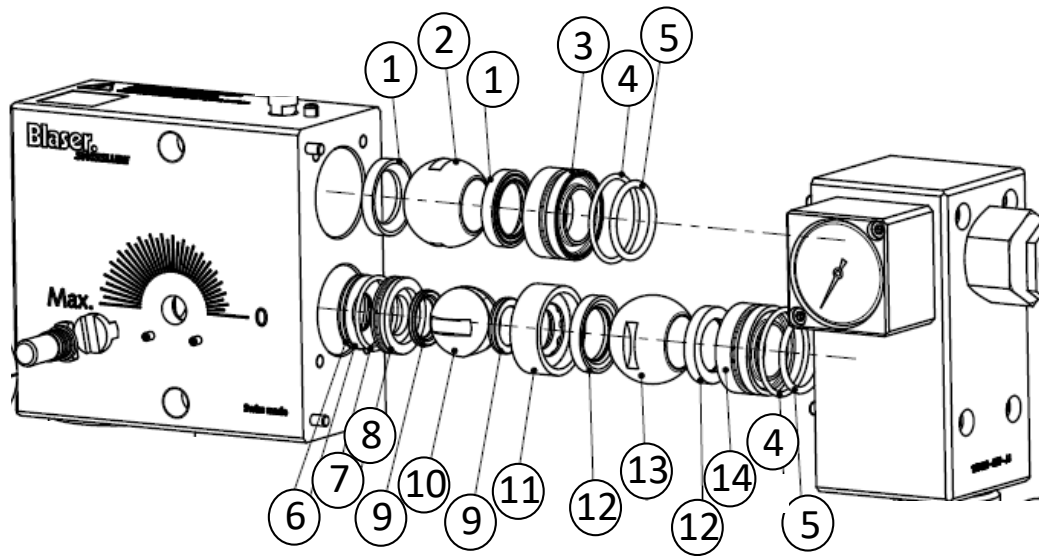
09275-01-2200 – Water Handle Kit

Item No.	Part No.	Description	Quantity
1	5602700	Nut	1
2	5601400	Lever	1
3	5601501	Operation Pin	1
4	8223104	O-ring	5
5	5600500	Operation Pin	1



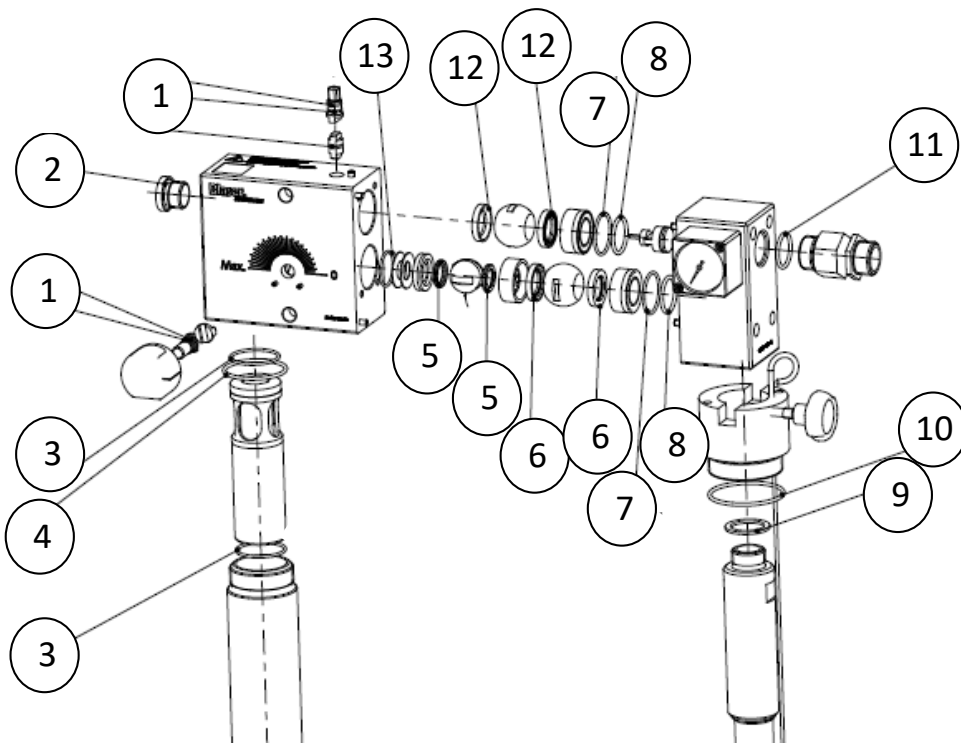
09275-01-2300 – Nozzle Kit

Item No.	Part No.	Description	Quantity
1	8237000	O-ring	1
2	5603500	Nozzle Body	1
3	5600600	Nozzle	1
4	5619400	Distance Sleeve	1
5	8240000	O-ring	1



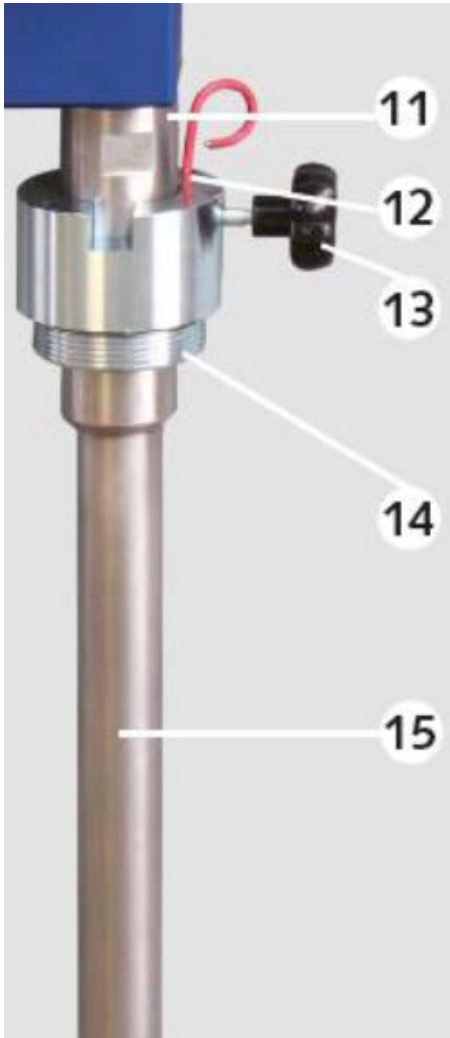
09275-01- 2400 – Ball Kit

Item No.	Part No.	Description	Quantity
1	5604100	Seal Shell	2
2	5601701	Ball	1
3	5600401	Backup Ring	1
4	8234801	O-ring	2
5	8232601	O-ring	2
6	8592200	Disc Spring	2
7	8232702	O-ring	1
8	5603000	Ring	1
9	0005228	Ball Seal	2
10	0003168	Ball	1
11	5602800	Intermediate Unit	1
12	5601800	Seal	2
13	5601700	Ball	1
14	5600400	Backup Ring	1



09275-01-2500 – Gasket/O-Ring Kit

Item No.	Part No.	Description	Quantity
1	8223104	O-ring	5
2	8258003	Seal ring	1
3	8237000	O-ring	2
4	8240000	O-ring	1
5	0005228	Ball seal	2
6	5601800	Ball seal	2
7	8234801	O-ring	2
8	8232601	O-ring	2
9	8259900	Gasket ring	1
10	8241200	O-ring	1
11	8232000	O-ring	1
12	5604100	Seal shell	2
13	8232702	O-ring	1



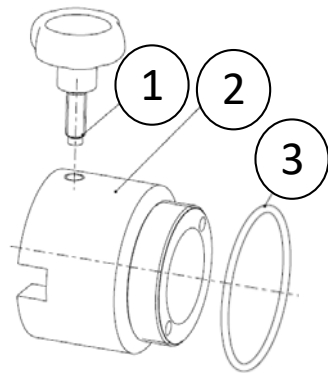
09275-01-2800 – Immersion Pipe - complete

Item No.	Part No.	Description	Quantity
11	5616701	Immersion Pipe	1
12		Dip Stick	1
13		Star Knob	1
14		Drum Flange	1
15		Immersion Pipe	1

09275-01-2900 – Pressure Gauge (manometer)

Item No.	Part No.	Description	Quantity
1	8370702	Pressure Gauge	1





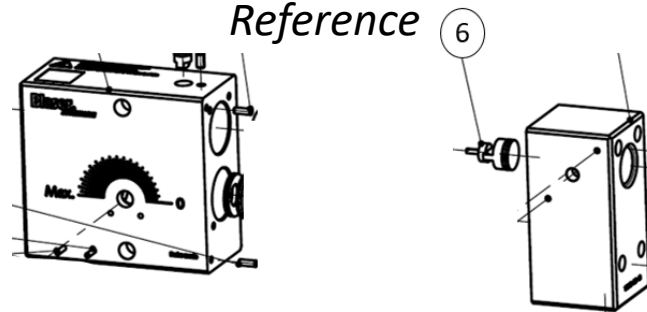
09275-01-3000 – Drum Flange

Item No.	Part No.	Description	Quantity
1	8563100	Clamp Star	1
2	5617200	Adapter	1
3	8259900	Seal	1

09275-01- 3100 – Check Valve, Internal



Reference

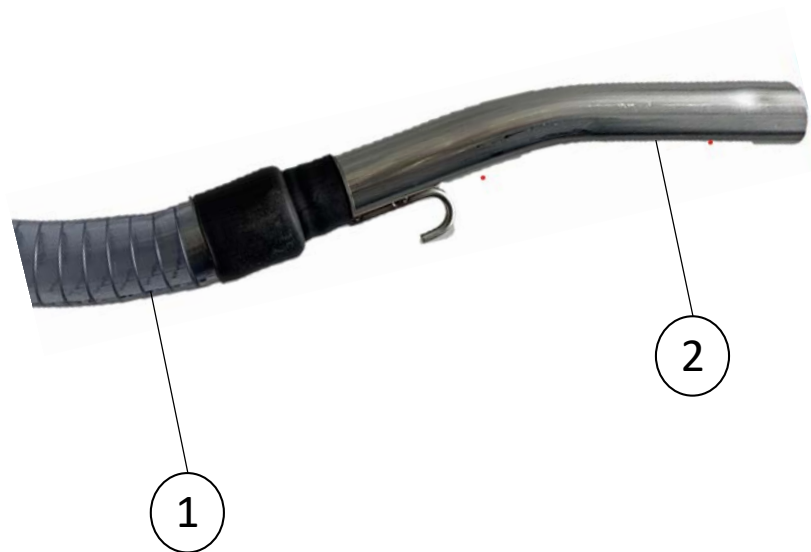


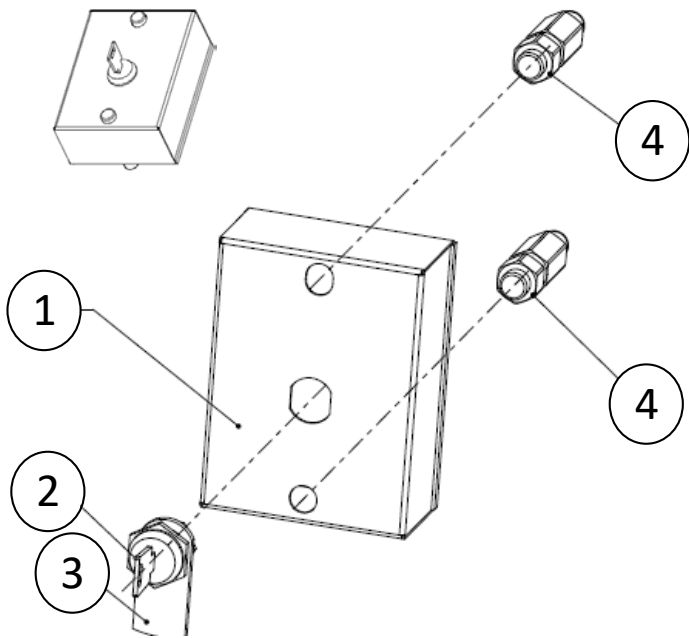
09275-01-3200 – Pipe Elbow 1" 45° BSP



09275-01-3300 – Hose with Outlet Spout

Item No.	Part No.	Description	Quantity
1	n/a	Hose	1
2	n/a	Outlet Spout	1





09277-01-0000 – Lockable Hood (Lockbox)

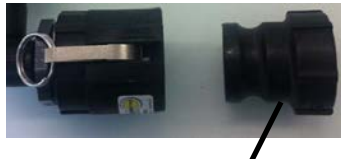
Item No.	Part No.	Description	Quantity
1	5618701	Cover	1
2	591601	Key	1
3	5618600	Closing Cylinder	1
4	561800	Stand off	2

09280-01-0000 – Pipe Ventilation Valve (downhill flow, auto fill)

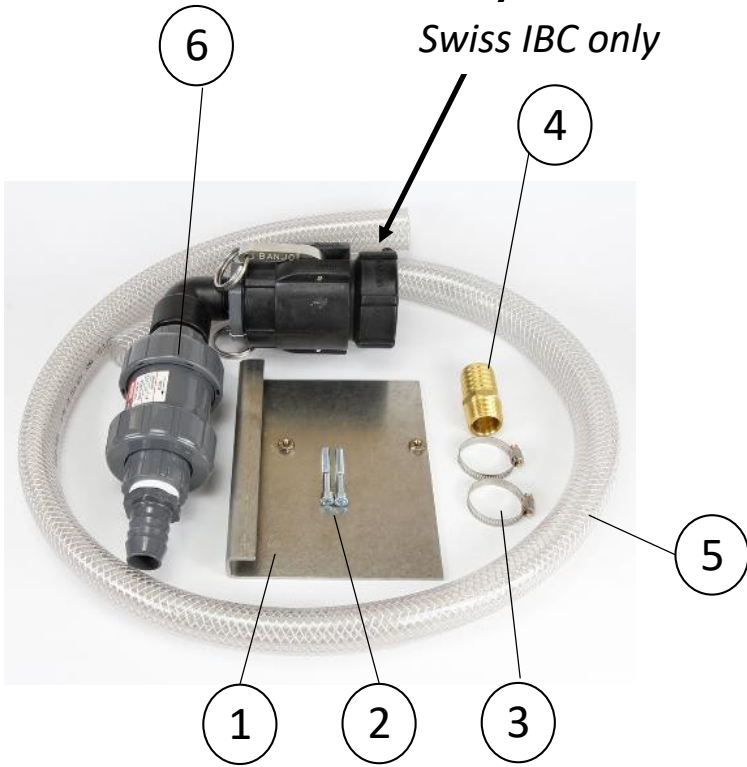


**09297-01-0000 – Check Valve, External (uphill
flow, autofill)**





Swiss IBC only



09282-01-0000 – IBC Tote Adapter and Mounting Kit

Item No.	Part No.	Description	Quantity
1	5612501	Carrier	1
2	8426701	Cap Screw	2
3	0007799	Hose Clamp	2
4	0005466	Hose Connection	1
5	5603300	Hose	1
6	007218	Tote adapter / Check valve	1

