



EXTRACTOR

Series Capture-at-Source Solutions

Diversitech's XA2 series fume extraction arms provide users with an ultra-smooth articulation and light-weight anodized aluminum construction for effortless re-positioning.

The Extractor capture arm features a pantograph external structure allowing the arm to be self-supporting even when fully extended and the pantograph mechanism offers easy and quick adjustment and maintenance. The heavy duty durable steel base pivots 360° and the square flanged hood with a built in handle offers a high face velocity, is externally adjustable and is available with an optional LED light kit.

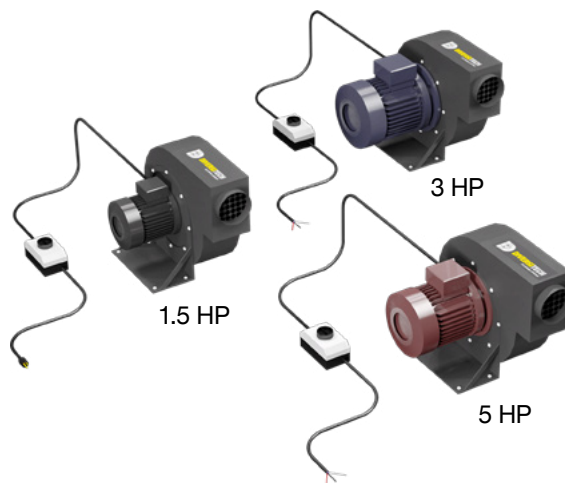
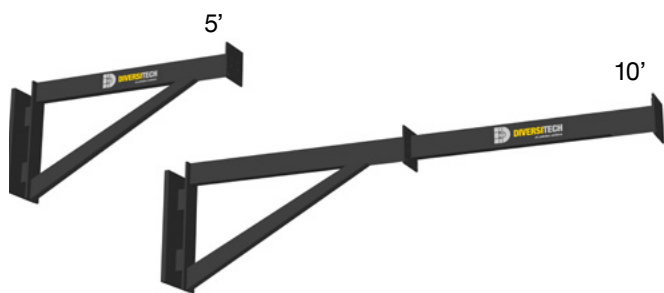
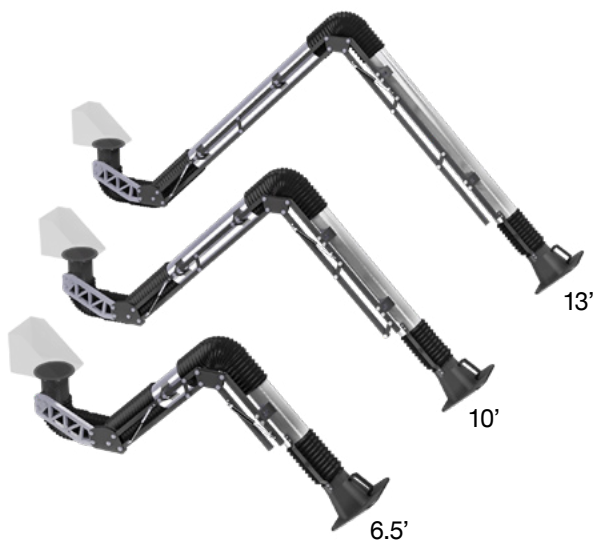
With Diversitech's line of fume exhaust arms, blowers & booms, you can create a capture-at-source solution for fumes & dust that adequately protects your workers. By capturing airborne contaminants as they are produced, these extraction arms & blowers help you stay OSHA compliant, and ensure that your working environment is clean and safe.

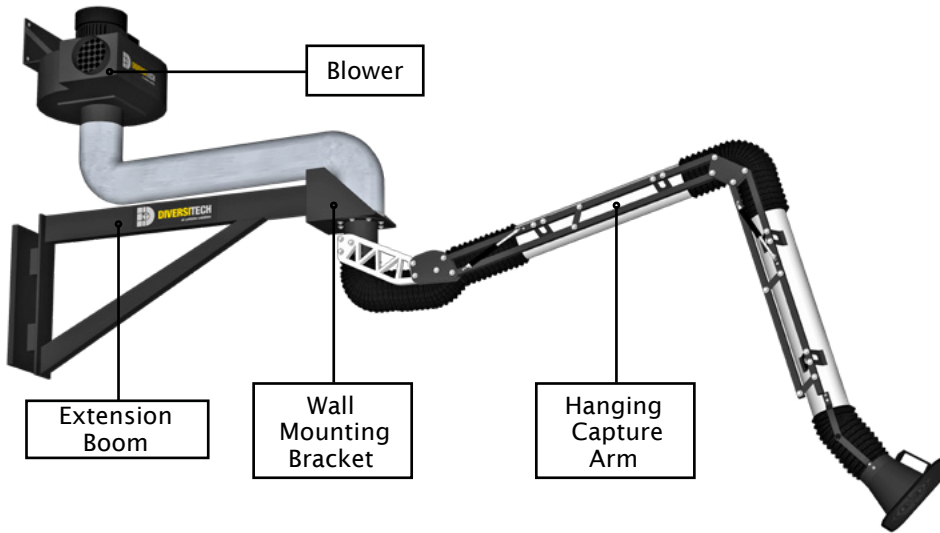
Features:

- Smooth, low-friction movement
- Flanged suction hood
- Wall mounted, column mounted or portable
- Externally articulated, gas spring loaded
- Industrial swivel-base

Options:

- Blowers (1500 to 2500 CFM)
- Hood mounted LED light kit
- Wall mounting bracket
- Extension booms (5' or 10')





Remote Mounting Kits

Part Number	Bracket	Flex Hose (ft.)	Hose Clamps
XA2-WMB	1	---	---
A-ECO-RMK6	1	6	2
A-ECO-RMK12	1	12	2

Technical Specifications

Model	Motor (H.P.)	Power				Airflow (CFM)	Cord Length (ft.)	Type
		Phase (hz)	@120V (amps)	@230V (amps)	@460V (amps)			
BR-015	1.5	1/60Hz	14.2	---	---	1200	6	TEFC
BR-030	3.0	3/60Hz	---	8.0	4.0	1800	6	TEFC
BR-050	5.0	3/60Hz	---	12.0	6.0	2500	6	TEFC

Dimensions

Model	Arm Length (ft.)	Arm Diameter (in.)	Net Weight (lbs.)	Product Dimensions (in.)			Shipping Dimensions (in.)			Gross Weight (lbs.)
				Width (in.)	Height (in.)	Length (in.)	Width (in.)	Height (in.)	Length (in.)	
XA2-6H06	6.5	6	35	13	14	78	24	14	45	55
XA2-6H10	10	6	45	13	14	120	24	14	63	65
XA2-6H13	13	6	70	13	14	158	24	14	85	90
BOOM-6-5	---	---	105	13	44	85	60	30	48	120
BOOM-6-10	---	---	135	13	44	140	120	30	48	150
BR-015	---	---	95	19	8	22	36	30	36	110
BR-030	---	---	110	19	8	22	36	30	36	125
BR-050	---	---	135	23	11	27	44	30	44	150

HEAD OFFICE

1200 55th Avenue
Montreal, QC H8T 3J8

CANADA

Montreal, QC
Toronto, ON



UNITED STATES

Trenton, NJ
Chicago, IL

CONTACT US:

Toll Free: 1-800-991-4225