

Product Profile

Precision Machining Filtration System 20 GPM

Model # PMF-MWF-623-D-P

Product Features

This Metalworking Filtration System Is Designed To Remove Suspended Solids From Solution To A Specified Micron Clarity Through High Capacity Carbon Steel Filter Vessels. It Is Suitable For Use On A Wide Range Of Applications – Filter Media Is Compatible With Oil And Water Soluble Fluids.

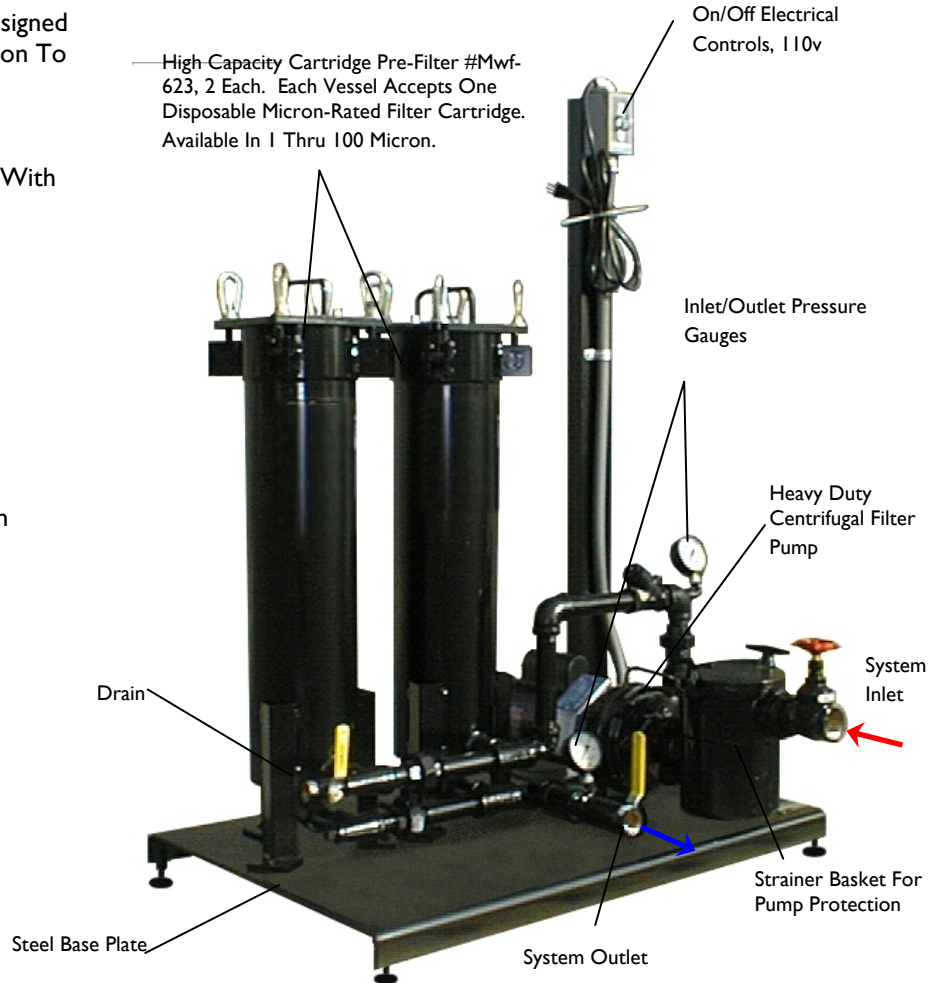
Proven Applications

- Machine Tool Coolant
- Carbide And Ceramic Grinding
- Gun Drilling
- Machining Center High Pressure Flush
- Screw Machine Oil Reclaim
- Thru-The-Tool Coolant



COMPLETE METALWORKING SOLUTIONS
(800) 991-4225
ISO Certified

www.ahbinc.com
customerservice@ahbinc.com



THIS IS A PROPRIETARY DOCUMENT
OF EBBCO, INC.



Specifications

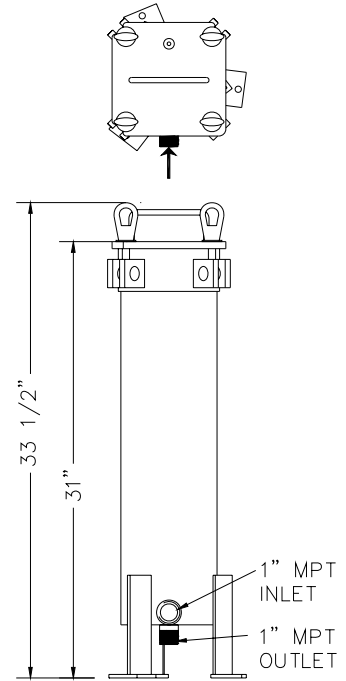
Precision Machining Filtration System 20 GPM

MODEL # PMF-MWF-623-D-P

Cartridge Filter Vessels

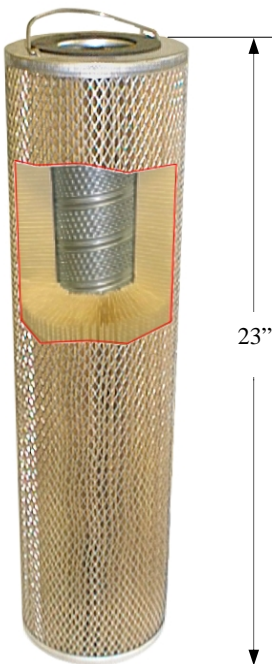
| | |
|----------------------|-------------------------------------------------------------------------------------------------------------------------------------------------------------------------------------|
| Model: | PMF-623 |
| Quantity: | 2 |
| Max Pressure | 150 Psi* |
| Max Flow | 40 Gpm (20 Gpm Recommended) |
| Max Temp | 180 °f |
| Filter Cartridge | Pleated Media (42 Sq. Ft) Single Layer Resin Impregnated Cellulose Fiber; Corrosion Resistant Steel Jacket, End Caps And Center Tube. This Unit Accepts 1 (One) Filter Cartridge |
| Inlet | 1" Mpt |
| Outlet | 1" Mpt |
| Mat'l Of Con. Vessel | Carbon Steel (Optional Gr 304 Ss, Gr 316 Ss) |
| Gasket Mat'l | Buna-Nitrile |
| Weight | 50 Lb. |
| Service Height | 70" |

Sizing Tip: The Lower The Flow Rate, The Higher The Holding Dirt Capacity Of The Cartridge.



Replacement Filter Cartridge

#E623-(1,5,15,25,50,100)



A Large And Structurally Strong Cartridge With 42 Square Feet Of Filter Surface To Allow Up To 30 Lbs. Of Solids Holding Capacity. This Cartridge Can Be Used On Process Water And Oil Fluids. (Not To Be Used On Potable Water.)

- Pleated Media Single Layer Resin Impregnated Cellulose Fiber.
- Corrosion Resistant Steel Jacket, End Caps And Center Tube.
- Epoxy Bonding Material Assures A Permanent Leak-Proof Bond Between Media, Caps And Outer Jacket.
- Seals Are Large Flat Buna-N Gaskets To Optimize Seal Of Element To Vessel.
- Recommended Replacement Pressure: 40 Psid; Collapse ΔP: 60 Psid; Maximum
- Recommended Fluid Viscosity: 1000 Ssu.

