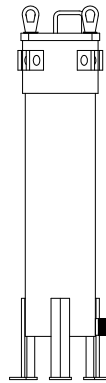
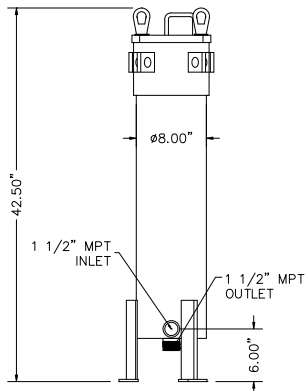
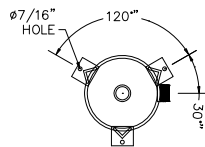
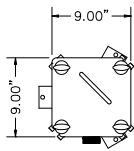


Precision Machining Single Cartridge Vessel 50 GPM

Model: PMF-729-SB

The Ebbco Single Cartridge Filter Vessel Is Constructed Of Heavy-Duty Carbon Steel With A Swing Bolt Assembly For Securing The Lid. The 729-SB Is Designed To Accept A Single 7" X 29" Replacement Cartridge. This Vessel and Replacement Cartridges Are Compatible With Oil and Water Soluble Coolants. Filter Cartridges Are Available In Various Micron Sizes With The Holding Capacity Of Up To 80 lbs Of Sludge Per Cartridge.

Oil Or Water Soluble Fluids Enters The Vessel Through The Inlet Located On The Side Of The Vessel, Fluid Travels Through A 60 Sq Ft. Micron Rated Filter Cartridge To The Inner Standpipe. Fluid Travels Through The Standpipe And Is Return To The Process Through The Outlet Located On The Bottom Of The Vessel.



Inlet/Outlet Size	1.5" MPT
Flow Rate	50 GPM
Max Pressure Loss	6 PSI Initial
Max Pressure Rating	150 PSI Max
Max Temperature	250° F (121°C)
Material	Carbon Steel
Dry Weight	94 lbs.
Filter Cartridges	E-729 -*
Service Height Clearance	70"

