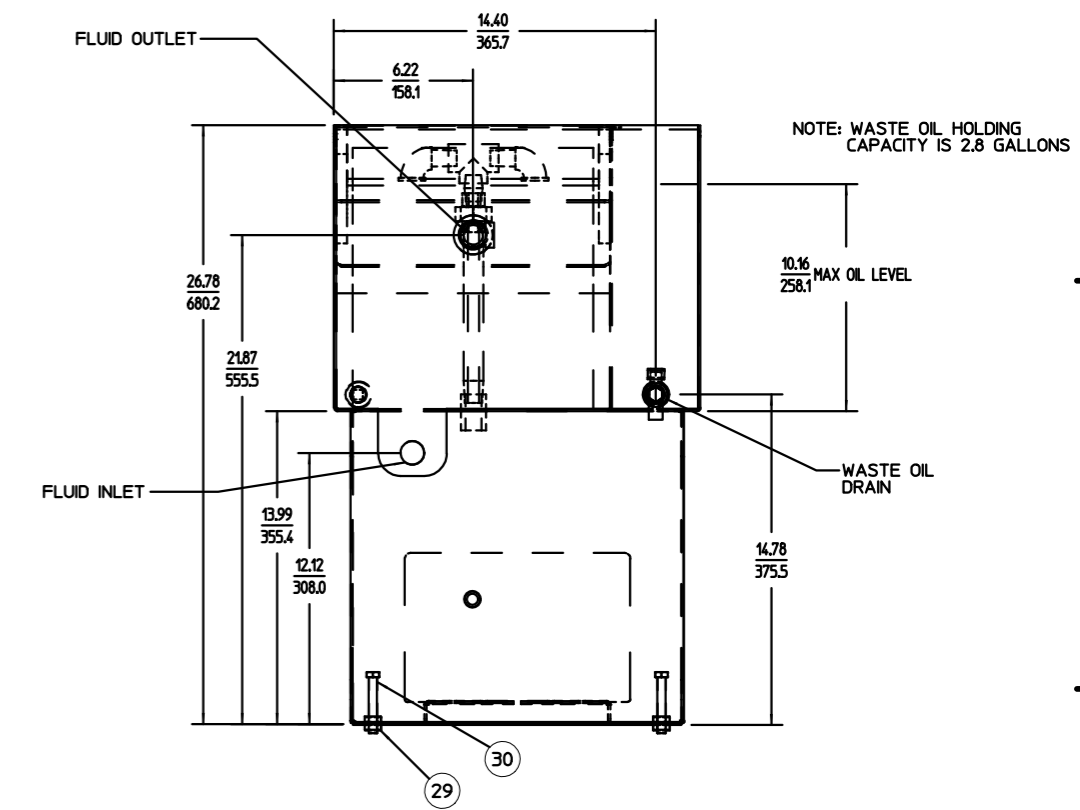
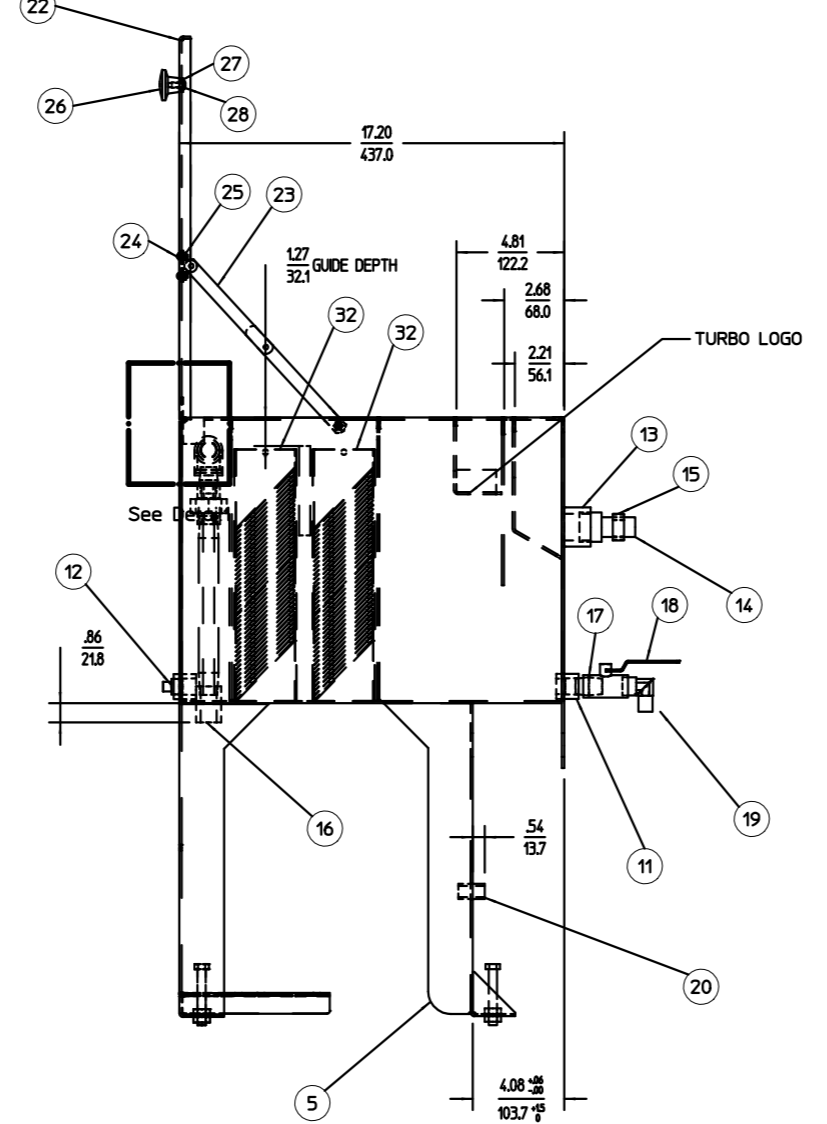
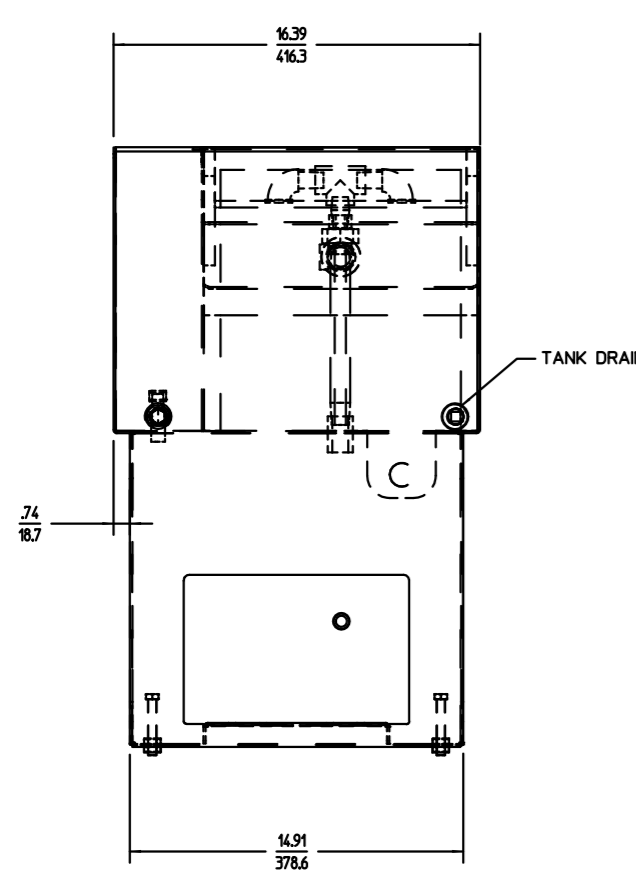
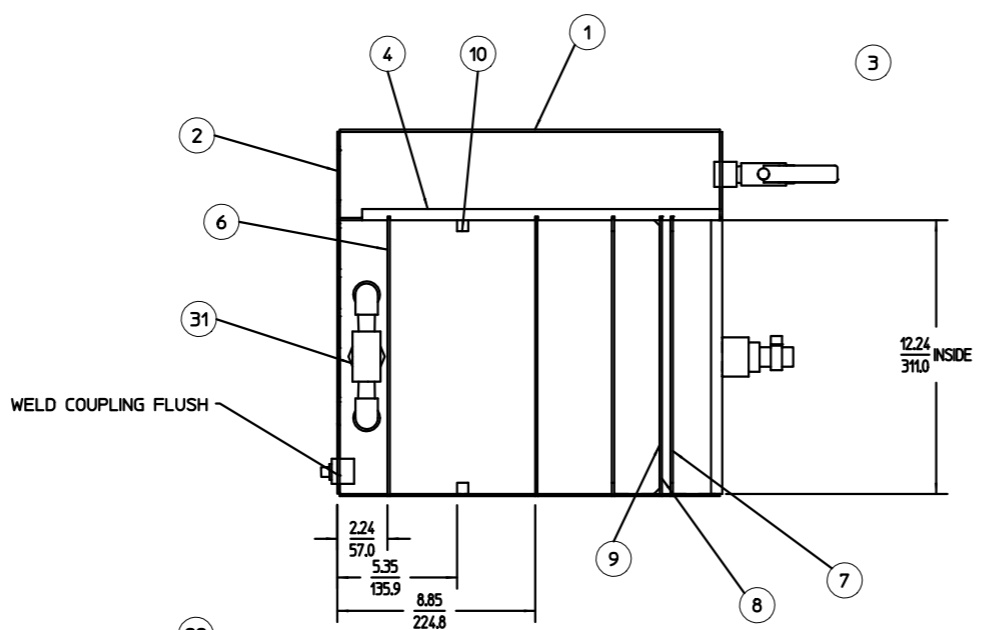
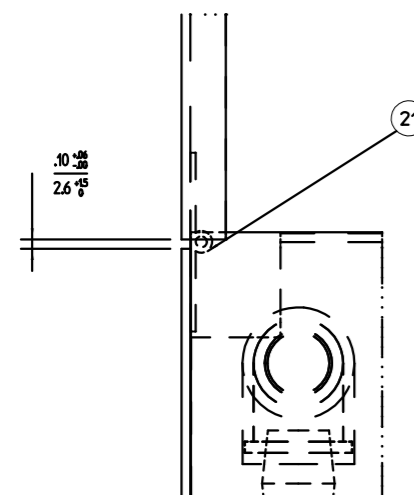


BOM: 62808434

No.	Part Number	Description	Qty
1	C2800678	BODY	1
2	C2800679	INLET-SIDE	1
3	C2800680	OUTLET-SIDE	1
4	C2800682	CENTER-PANEL	1
5	C2800681	LEG	1
6	C2800683	BAFFLE	2
7	C2800687	WEIR	1
8	C2800686	DAM	1
9	C2800685	INTERNAL-SKIMMER	1
10	32800684	GUIDE	2
11	98711051	HALF-NPT-COUPLING	2
12	88711253	HALF-NPT-PLUG	1
13	98711042	COUPLING-1IN-HALF	1
14	98711386	1-INCH-BARBED-FITTING	1
15	98741023	HOSE-CLAMP	1
16	98711228	COUPLING-.5INCH-FULL	1
17	88701004	NIPPLE-SHORT-SH	1
18	98721053	BALL-VALVE	1
19	98712315	5/8X1/2NPT-90-BARB	1
20	88711211	COUPLING-.25	1
21	32800689	HINGE	1
22	C2800688	LID	1
23	98801155	FOLDING-SUPPORT	1
24	88301068	SCREW-SLOTTED-8-32X.375	3
25	88501610	HEX-NUT-8-32	3
26	98801022	KNOB	1
27	88551009	WASHER-0.25-20	1
28	88261014	BHCS-.25-20X.5	1
29	88501620	HEX MACHINE NUT 3/8-16	8
30	88201040	HHCS-.375-16X2.5	4
31	62805958	DIFFUSER-ASSY	1
32	62806080	PLATE-MODULE-.125-C.S.	2
33	71902606	HOSE CLEAR 1IN (NOT SHOWN)	48IN
34	62805919	COALESCOR LABEL PACKAGE (AIR) (NOT SHOWN)	1
35	98721168	ONE GALLON BOTTLE (NOT SHOWN SHIPS LOOSE)	1



NOTE: COOLANT OPERATING CAPACITY IS 9.0 GALLONS

NOTES FOR WELD: WELD WATER TIGHT.
GRIND ALL CORNERS SMOOTH.
NOTE FOR ASSY: USE PIPE DOPE ON ALL PIPE THREADS.

E.C.O. #	REV #	DESCRIPTION OF CHANGE	BY	DATE	SIMILAR TO
21045	D	ENLARGED HOLES FOR COUPLING IN INLET AND OUTLET SIDES	JM	20/05/01/05 17:37	DO NOT SCALE DIMENSIONS
18948	C	ADDED A .5 LIP FOR STRENGTH.	ENGTMP20	19/05/23 11:00	UNLESS OTHERWISE SPECIFIED DIMENSION FORMAT INCHES OR FEET
18201	B	REDRAWN ON SD & ADDED DIFFUSER PIPING	NVO	20/02/08/29 14:50	REVISIONS
18155	A	SHOW PLATE PACK ORIENTATION	NVO	20/02/08/29 13:50	SUPERSEDED BY

		PROJECTION THIRD ANGLE
DATE	2022/08/29 13:48:42	CHECKED BY
DRAWN	NVO	SCALE
DESCRIPTION	CPS-MINI-OT	
SIZE	D	DRAWING NO.
		62808434
REV		4