



# High Output LED Machine Light

IP67 RATED LINEAR MACHINE LED LIGHTING

*Seriously Bright!*

Our Super High Output LED linear machine light is the most energy efficient, highest output, and longest lasting machine tool lighting in the world. It will quickly pay for itself through lower operating costs, longer lifespans and improved productivity. Die-cast aluminum body with tempered safety glass ensures reliable performance in the harshest environments.



LED-1936-24V

## Military Grade Construction

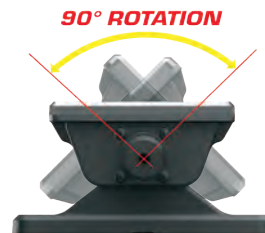
The O.C. White High Output LED linear machine light represents the pinnacle of American made quality, sleek design, and outstanding performance. The solid die-cast aluminum body construction is for more than just show! It is an integral feature of this light, acting as the heat sink for the LED arrays. This light also features tempered safety glass and a slim, nickel plated bezel. It is engineered to withstand even the harshest conditions. Unlike the plastic and thin-walled extrusions our competitors use, this light is made to last a lifetime.

## Low Voltage with Worldwide Appeal

This light can be used on virtually any mill, lathe, grinder, or a variety of other machines in service across the world. Our solid state LED design runs at 24V DC, which increases operator safety compared to 110/220V lighting! Each light only consumes 38W (1.6A) also making it one of the most efficient.

## Adjustable To Any Angle

You can adjust the angle of light 45° in each direction (90° total). This opens up limitless installation possibilities, while still putting the light exactly where you want it.



## Limitless Installation Possibilities

The specialized design of this light allows for up to (3) fixtures to be run from a single power point. This drastically reduces wire clutter and affords a much faster installation.

## Exclusive Quick Magnetic Mount or Permanent Installation

With O.C. White, the choice is yours. Each mounting foot comes complete with a pair of high strength Neodymium magnets preinstalled. These allow for a quick magnet mount installation.



Ordering Specifications and Options on the Next Page



COMPLETE  
METALWORKING  
SOLUTIONS

(800) 991-4225

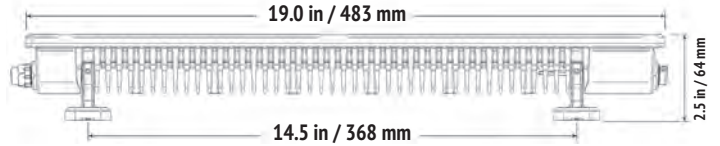
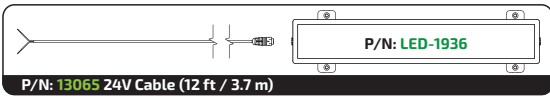
www.ahbinc.com

ISO Certified

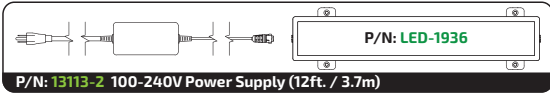
customerservice@ahbinc.com

## Standard Configuration

**LED-1936-24V**  
1 Light 24V DC Kit

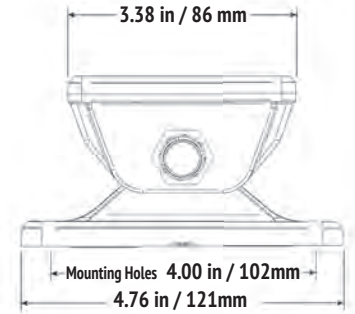


**LED-1936-120V**  
1 Light AC Kit



## Optional Configuration

**LED-1936-2-24V**  
2 Light 24V DC Kit



**LED-1936-2-120V**  
2 Light 120V AC Kit



**LED-1936-3-24V**  
3 Light 24V DC Kit



**LED-1936-3-120V**  
3 Light 120V AC Kit



P/N: 13070  
Extension Cable (6 ft / 1.8 m) Use in between interconnect cable and light

P/N: DIM-1936  
Dimmer Module and Cord (6 ft / 1.8 m) Install in-line to add dimmer function

## "Green" Long Before It Was Fashionable

This light features exclusive "Patent Pending" thermal dimming controls. If the light gets too hot, it will automatically dim itself to cool down, and greatly extend its service life. Also due to our best-in-class engineering, these fixtures have **TWICE the light output** from the same wattage compared to our competition, and far exceeds the old style fluorescent lights.

