

MADE IN THE U.S.A.



ADVANTAGE

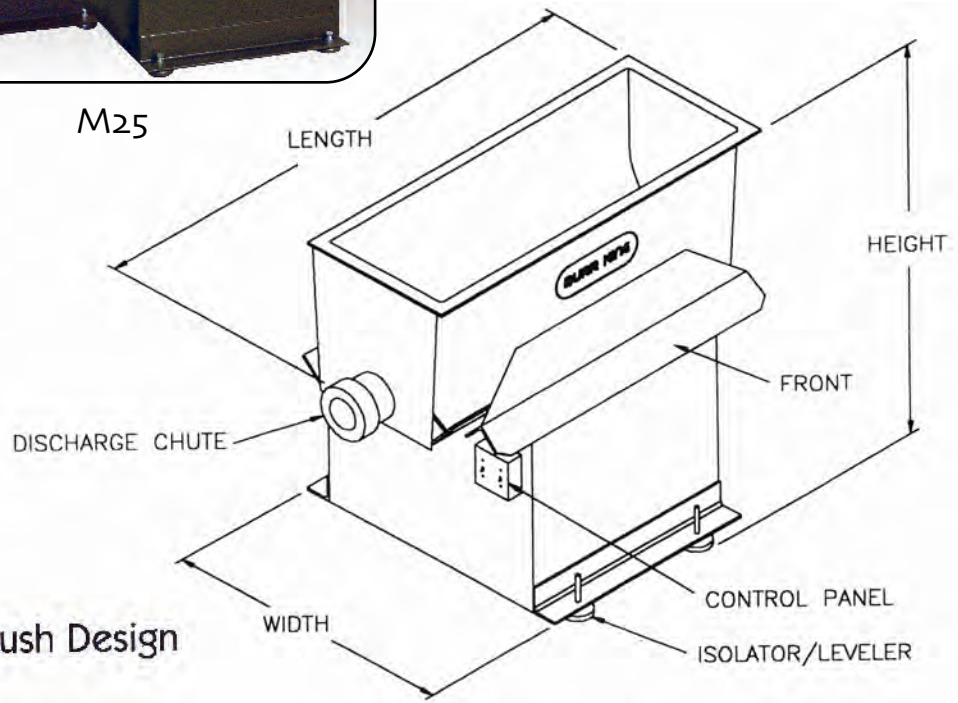


Any Burr King tub or bowl can be used wet or dry

M85

M45

M25



Vibra KING[®] with Hush Design

GENERAL DATA

	M25	M45	M85
Length max.in.	29	43	48
Width max in.	33	33	36
Height max in.	41	41	45
Total volume cu. ft.	2.5	4.5	8.5
Working volume cu.ft.	2.1	3.8	7.2
Tub width, inside	15	15	20
Tub length, inside	20	35	37
Tub depth, inside	16	16	20
Max. part length, in.	19	34	36
Media load, lbs	150	250	450
Part load, lbs*	100	225	450
Weight max. lbs. (empty)	390	475	675
Horse power, standard	0.75 (1PH/3PH)	1.5 (1PH/3PH)	3.0 (3PH)

This may vary substantially according to part shapes, material, process times, etc.

ALWAYS WEAR PROTECTIVE EYE, FACE, ARM, LEG AND BODY GEAR WHEN USING ANY GRINDER, POLISHER, BUFFER OR OTHER ROTATING MACHINERY.
 BURR KING MANUFACTURING CO., INC. SINCE 1951 1220 TAMARA LANE, WARSAW, MO 65355
 (660) 438-8998 (800) 621-2748 FAX (660) 438-8991 www.burrking.com