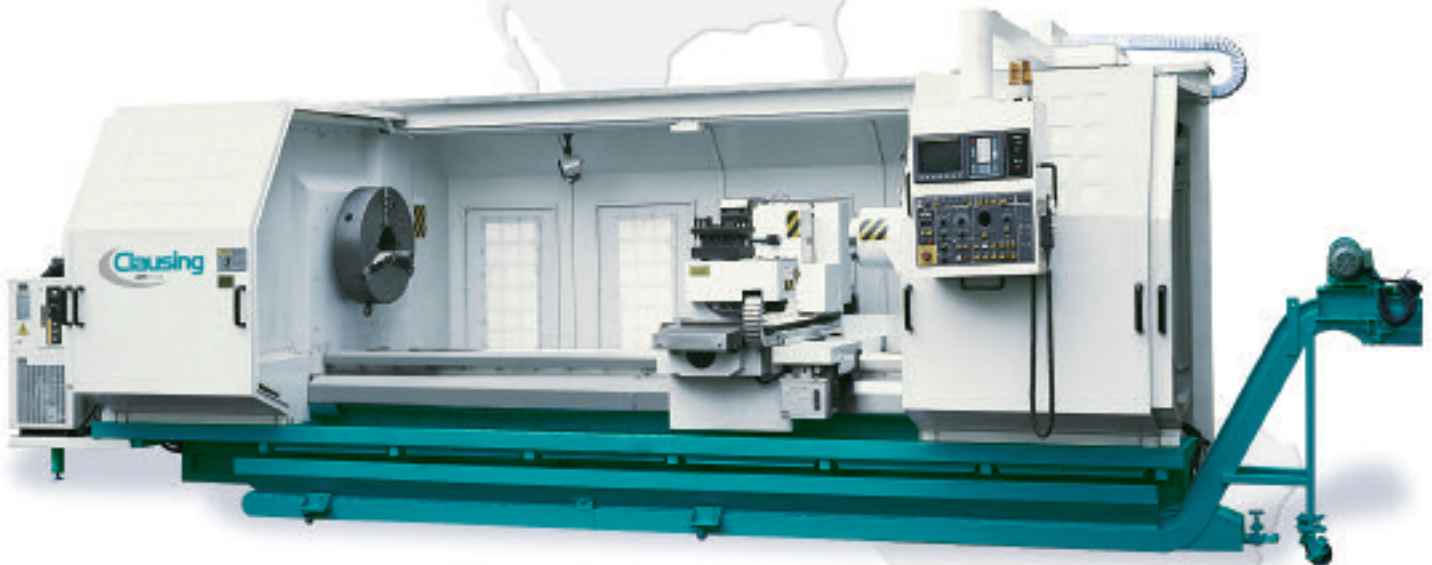


Clausing **CNC Large Swing Lathes**

600 Group

*Built to Meet Your Turning Needs...
Extra Heavy-duty Large Swing, Big Bore,
Precision Flat Bed CNC Lathes*



- **Swing Range... 35" to 80"**
- **Spindle Bore Range... 6" to 24"**
- **Center Distance Range... 62" to 488"**

Clausing Large Swing Heavy-Duty CNC Lathes are built for all your turning needs, we will design a machine that is ideal for Your turning applications. Just fill out the “Clausing Large Swing CNC Lathe Profile”, available on our web site. Larger custom designed machines are also available.

CL Series

Machining Range...

Capacity

- Swing over bed: 35" (880mm) 40" (1010mm) 45" (1135mm) 50" (1275mm)
- Swing over cross slide: 20" (510mm) 25" (640mm) 30" (765mm) 35" (880mm)
- Center height over bed: 17.5" (440mm) 20" (505mm) 22.5" (568mm) 25" (638mm)
- Center height from floor: 44" (1125mm) 47" (1190mm) 49" (1250mm) 52" (1315mm)
- Center distance: 62" (1575mm) to 476" (12100mm)
- Max. weight between centers: 11,000 lbs (5000kg)
- Max. weight between centers with steady rest: 13,200 lbs (6000kg)
- Max. unsupported weight in chuck: 5,500 lbs (5500kg)
- Small closed steady rest capacity (optional): 1.18" (30mm) to 15.75" (400mm)
- Large closed steady rest capacity (optional): 13.8" (350mm) to 27.56" (700mm)

Bed

- Bed width: 22" (360mm) with 2 bed ways
- Bed height from floor: 26.8" (680mm)

Headstock

- Spindle bore: 6" (30mm) is standard
- Up to 14.17" (380mm) optional on 35" (880mm) swing models
- Up to 16.14" (410mm) optional on 40" (880mm) and large swing models
- Spindle nose: See spindle bore and speed range chart
- Spindle speed ranges: 4 auto change variable speed
- Spindle speeds: 8-1000 rpm (see spindle and speed range chart)
- Spindle drive motor: 40/50 Hp (30/37kw) standard, 50/60 Hp (37.5/45kw) optional

Turret

- Turret: 4-way HP350 auto H4 • Number of tool stations: 4 Automatic
- Tool shank cross section: 1.25" (32x32mm) • Tool shank diameter: 2.5" (60mm)

Travel

- Cutting feed rate: X axis 0.00004-9.84 in/rev (0.001-250 mm/rev), Z axis 0.00004-15.75 in/rev (0.001-400 mm/rev)
- Rapid traverse: X axis 236.16" in/min (6 m/min), Z axis 314.88" in/min (8 m/min)
- Ballscrew diameter: X axis 1.57" (40mm), Z axis 2.48" (63mm)

Tailstock

- Quill with built-in rotating spindle with 6MT
- Quill diameter: 9.25" (235mm) • Quill travel: 7.87" (200mm)

CB Series

Machining Range...

Capacity

- Swing over bed: 45" (1135mm) 50" (1275mm) 60" (1527mm) 70" (1790mm)
- Swing over cross slide: 28" (710mm) 33" (850mm) 43" (1102mm) 53" (1135mm)
- Center height over bed: 22.3" (568mm) 25" (638mm) 30" (764mm) 35" (895mm)
- Center height from floor: 49.1" (1248mm) 51.8" (1315mm) 56.8" (1440mm) 61.1" (1550mm)
- Center distance: 70" (1780mm) to 488" (12400mm)
- Max. weight between centers: 14,300 lbs (6500kg)
- Max. weight between centers with steady rest: 16,500 lbs (7500kg)
- Max. unsupported weight in chuck: 6,600 lbs (3000kg)
- Small closed steady rest capacity (optional): 1.18" (30mm) to 15.75" (400mm)
- Large closed steady rest capacity (optional): 13.8" (350mm) to 27.56" (700mm)

Bed

- Bed width: 28" (712mm) with 2 bed ways
- Bed height from floor: 26.8" (680mm)

Headstock

- Spindle bore: 6" (30mm) standard, up to 24.02" (610mm) optional
- Spindle nose: See spindle bore and speed range chart
- Spindle speed ranges: 4 auto change variable speed
- Spindle speeds: 4-1000 rpm (see spindle bore and speed range chart)
- Spindle drive motor: 50/60 Hp (37.5/40kw)

Turret

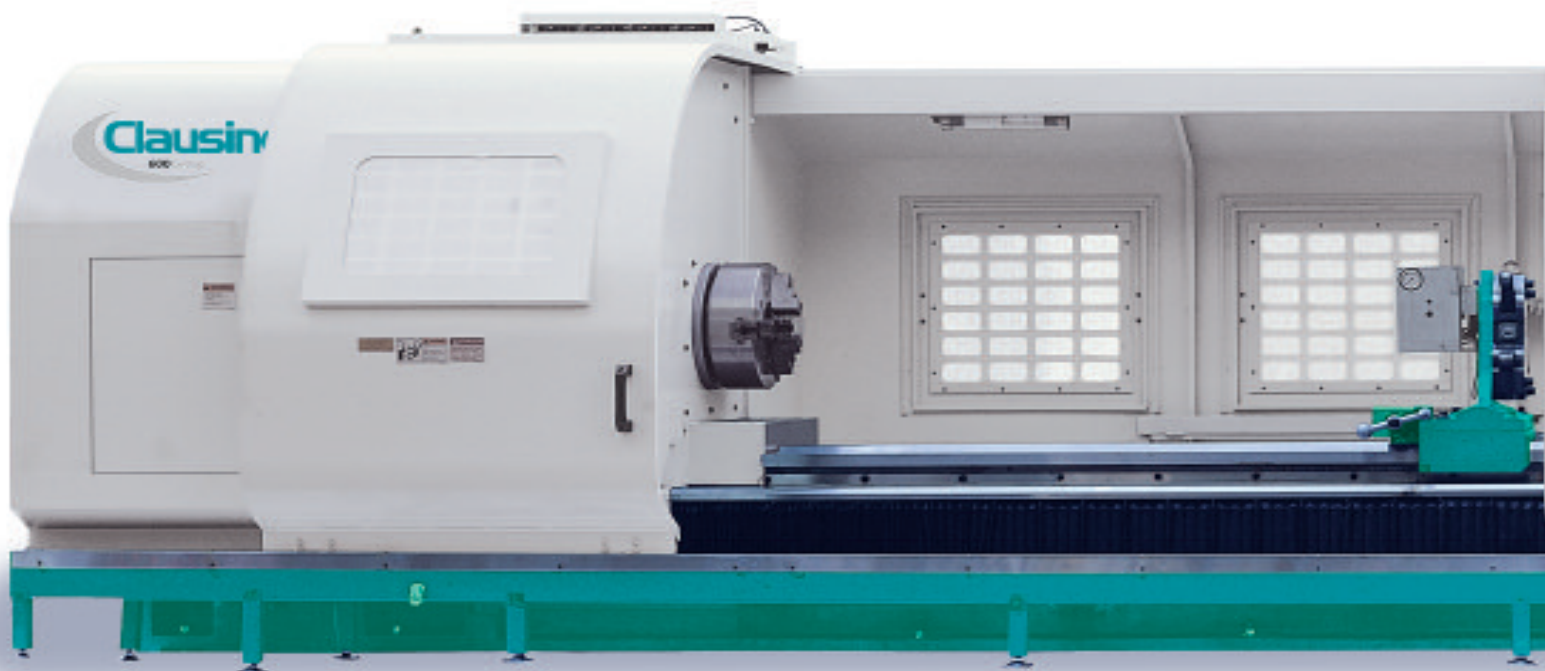
- Turret: 4-way HP350 auto H4 • Number of tool stations: 4 Automatic
- Tool shank cross section: 1.25" (32x32mm) • Tool shank diameter: 2.5" (60mm)

Travel

- Cutting feed rate: X axis 0.00004-9.84 in/rev (0.001-250 mm/rev), Z axis 0.00004-15.75 in/rev (0.001-400 mm/rev)
- Rapid traverse: X axis 236.16" in/min (6 m/min), Z axis 314.88" in/min (8 m/min)
- Ball screw diameter: X axis 1.77" (45mm), Z axis 3.15" (80mm)

Tailstock

- Quill with built-in rotating spindle with 6MT
- Quill diameter: 9.25" (235mm) • Quill travel: 7.87" (200mm)



Clousing Large Swing Lathes are designed for optimum performance, heavy stock removal while providing the versatility required by a large range of industries. All machines are tested to the most stringent accuracy before shipping...

CC Series

Machining Range...

Capacity

- Swing over bed: 35" (880mm) 40" (1010mm) 45" (1135mm) 50" (1275mm)
- Swing over cross slide: 26" (660mm) 27" (686mm) 32" (810mm) 37" (940mm)
- Center height over bed 17.5" (440mm) 20" (510mm) 22.5" (575mm) 25" (638mm)
- Center height from floor 46" (1180mm) 49" (1250mm) 52" (1315mm) 54" (1378mm)
- Center distance: 94" (2400mm) to 488" (12400mm)
- Max. weight between centers: 22,000 lbs (10000kg)
- Max. weight between centers with steady rest: 26,400 lbs (12000kg)
- Max. unsupported weight in chuck: 9,900 lbs (4500kg)
- Small closed steady rest capacity (optional): 1.18" (30mm) to 15.75" (400mm)
- Small open steady rest capacity (optional): 1.18" (30mm) to 15.75" (400mm)
- Large closed steady rest capacity (optional): 13.8" (350mm) to 27.56" (700mm)
- Large open steady rest capacity (optional): 13.8" (350mm) to 27.56" (700mm)

Bed

- Bed width: 40" (1020mm) with 4 bed ways • Bed height from floor: 29" (740mm)

Headstock

- Spindle bore 35" (880mm) swing: 6" (153mm) standard, up to 14.17" (360mm) optional
- Spindle bore 40" (1010mm) swing: 6" (153mm) standard up to 21.06" (535mm) optional
- Spindle bore 45" (1135mm) and 50" (1275mm) swings: 6" (153mm) standard up to 24.02" (610mm) optional
- Spindle nose: See spindle bore and speed range chart
- Spindle speed ranges: 4 auto change variable speed
- Spindle speeds: 4-1000 rpm • Spindle drive motor: 50/60 Hp (37.5/45kW)

Turret

- Turret: 4-way HP450 auto H4 • Number of tool stations: 4 Automatic
- Tool shank cross section: 1.25" (32 mm) • Tool shank diameter: 2.5" (60mm)

Travel

- Cutting feed rate: X axis 0.00004-9.84 in/rev (0.001-250 mm/rev), Z axis 0.00004-15.75 in/rev (0.001-400 mm/rev)
- Rapid traverse: X axis 236.16" in/min (6 m/min), Z axis 314.88" in/min (8 m/min)
- Ball screw diameter: X axis 1.97" (50mm), Z axis 3.15" (80mm)

Tailstock

- Quill with built-in rotating spindle with 6MT
- Quill diameter: 9.25" (235mm) • Quill travel: 7.87" (200mm)

CK Series

Machining Range...

Capacity

- Swing over bed: 50" (1275mm) 60" (1530mm) 70" (1800mm) 80" (2040mm)
- Swing over cross slide: 29" (745mm) 39" (1000mm) 50" (1270mm) 60" (1515mm)
- Center height over bed 25" (638mm) 30" (765mm) 35" (900mm) 40" (1020mm)
- Center height from floor 55" (1398mm) 60" (1525mm) 65" (1660mm) 70" (1780mm)
- Center distance: 82" (2100mm) to 476" (12100mm)
- Max. weight between centers: 33,000 lbs (15000 kg)
- Max. weight between centers with steady rest: 37,400 lbs (17000 kg)
- Max. unsupported weight in chuck: 19,800 lbs (9000 kg)
- Small closed steady rest capacity (optional): 1.18" (30mm) to 15.75" (400mm)
- Small open steady rest capacity (optional): 1.18" (30mm) to 15.75" (400mm)
- Large closed steady rest capacity (optional) : 13.8" (350mm) to 27.56" (700mm)
- Large open steady rest capacity (optional): 13.8" (350mm) to 27.56" (700mm)

Bed

- Bed width: 47.5" (1210mm) with 4 bed ways
- Bed height from floor: 30" (760mm)

Headstock

- Spindle bore: 9.05" (230mm) standard, up to 24.02" (610mm) optional
- Spindle nose: See spindle bore and speed range chart
- Spindle speed ranges: 4 auto change variable speed
- Spindle speeds: 4-1000 rpm (see spindle bore and speed range chart)
- Spindle drive motor: 80/100 Hp (60/70kW)

Turret

- Turret: 4-way HP450 auto H4 • Number of tool stations: 4 Automatic
- Tool shank cross section: 1.25" (32 x 32mm) • Tool shank diameter: 2.5" (60mm)

Travel

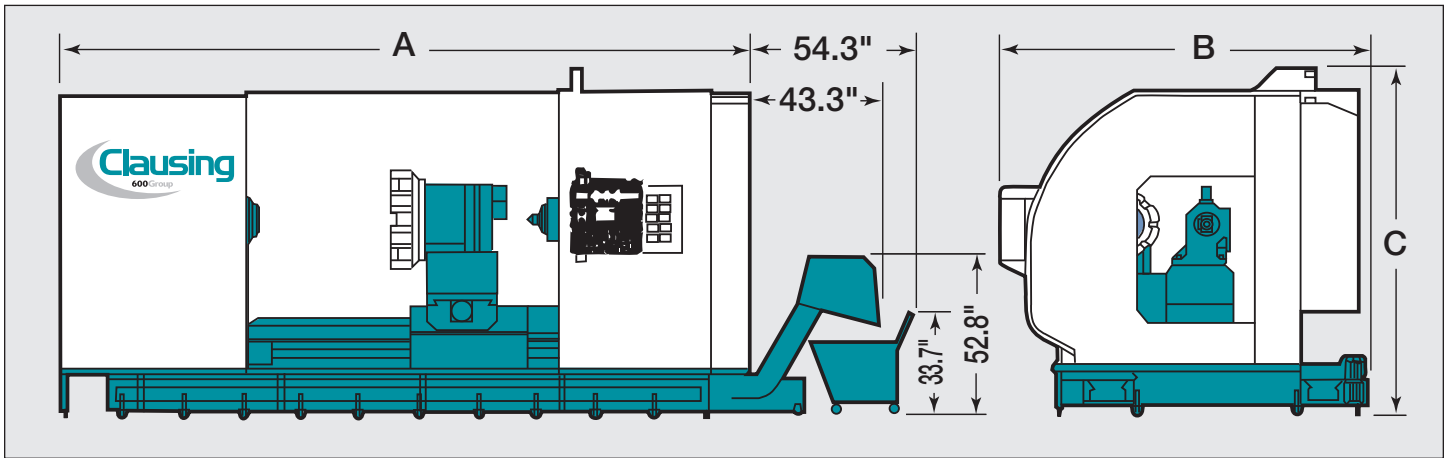
- Cutting feed rate: X axis 0.00004-9.84 in/rev (0.001-250 mm/rev), Z axis 0.00004-15.75 in/rev (0.001-400 mm/rev)
- Rapid traverse: X axis 236.16" in/min (6 m/min), Z axis 314.88" in/min (8 m/min)
- Ball screw diameter: X axis 2.36" (60mm), Z axis 3.93" (100mm)

Tailstock

- Quill with built-in rotating spindle with 6MT
- Quill diameter: 11" (280mm) • Quill travel: 10" (250mm)



Center Distance, Dimensions and Weight



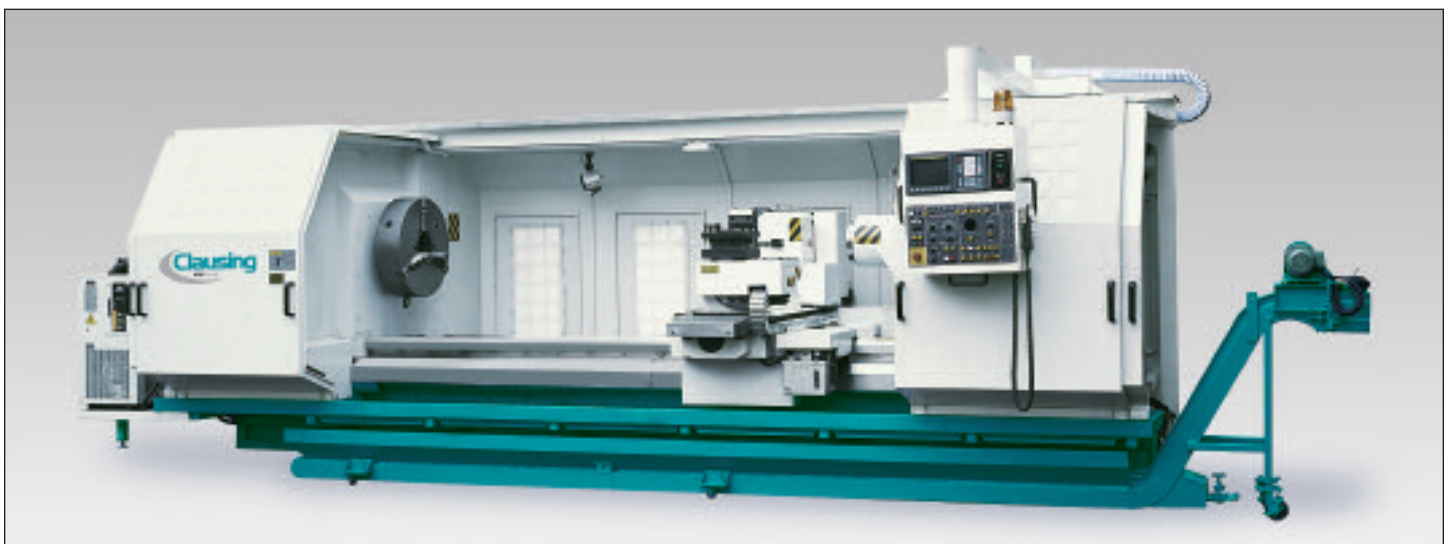
CL Series

Center Distance	62" (1575mm)	82" (2100mm)	122" (3100mm)	160" (4100mm)	200" (5100mm)	240" (6100mm)	279" (7100mm)	318" (8100mm)	358" (9100mm)	397" (10100mm)	437" (11100mm)	476" (12100mm)
Length A	187" (4750mm)	207" (5260mm)	246" (6250mm)	286" (7115mm)	325" (8255mm)	365" (9270mm)	404" (10260mm)	443" (11250mm)	483" (12270mm)	522" (13260mm)	562" (14275mm)	601" (15265mm)
Overall width B	106" (2690mm)	106" (2690mm)	106" (2690mm)	106" (2690mm)	106" (2690mm)	106" (2690mm)	106" (2690mm)	106" (2690mm)	106" (2690mm)	106" (2690mm)	106" (2690mm)	106" (2690mm)
Height C	99" (2500mm)	99" (2500mm)	99" (2500mm)	99" (2500mm)	99" (2500mm)	99" (2500mm)	99" (2500mm)	99" (2500mm)	99" (2500mm)	99" (2500mm)	99" (2500mm)	99" (2500mm)
Weight in lbs (kg)												
35" swing	27,500 (12474kg)	28,600 (12973kg)	30,800 (13970kg)	33,000 (14968kg)	35,200 (15966kg)	37,400 (16965kg)	39,600 (17962kg)	41,800 (18960kg)	44,000 (19958kg)	46,200 (20956kg)	48,400 (21954kg)	50,600 (22952kg)
40" swing	28,270 (12823kg)	29,370 (13322kg)	31,570 (14320kg)	33,770 (15318kg)	35,970 (16225kg)	38,170 (17313kg)	40,370 (18311kg)	42,570 (19309kg)	44,770 (20307kg)	46,970 (21305kg)	49,170 (22303kg)	51,370 (23301kg)
45" swing	29,040 (13172kg)	30,140 (13671kg)	32,340 (14669kg)	34,540 (15667kg)	36,740 (16665kg)	38,940 (17663kg)	41,140 (18661kg)	43,340 (19659kg)	45,540 (20656kg)	47,740 (21654kg)	49,940 (22652kg)	52,140 (23650kg)
50" swing	29,810 (13522kg)	30,910 (14020kg)	33,110 (15018kg)	35,310 (16016kg)	37,510 (16923kg)	39,710 (18021kg)	41,910 (19019kg)	44,110 (20008kg)	46,310 (21006kg)	48,510 (22004kg)	50,710 (23002kg)	52,910 (24000kg)

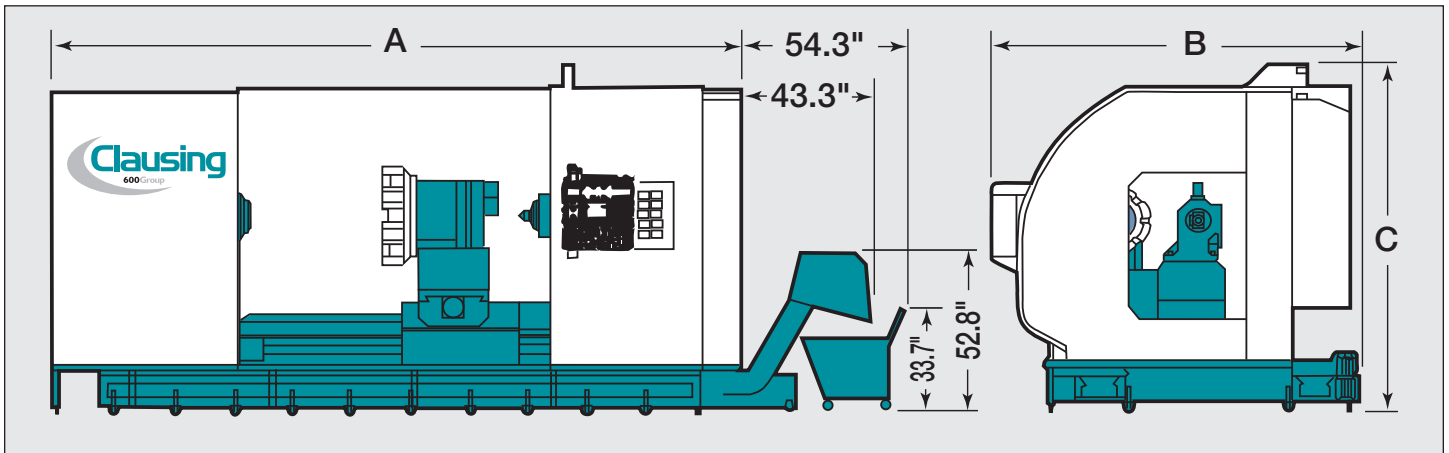
CB Series

Center Distance	70" (1780mm)	94" (2400mm)	133" (3400mm)	173" (4400mm)	212" (5400mm)	252" (6400mm)	291" (7400mm)	330" (8400mm)	370" (9400mm)	409" (10400mm)	448" (11400mm)	488" (12400mm)
Length A	195" (4955mm)	219" (5565mm)	258" (6555mm)	298" (7570mm)	337" (8560mm)	376" (9550mm)	416" (10565mm)	455" (11555mm)	495" (12575mm)	534" (13565mm)	573" (14555mm)	612" (15545mm)
Overall width B	121" (3070mm)	121" (3070mm)	121" (3070mm)	121" (3070mm)	121" (3070mm)	121" (3070mm)	121" (3070mm)	121" (3070mm)	121" (3070mm)	121" (3070mm)	121" (3070mm)	121" (3070mm)
Height C	120" (3030mm)	120" (3030mm)	120" (3030mm)	120" (3030mm)	120" (3030mm)	120" (3030mm)	120" (3030mm)	120" (3030mm)	120" (3030mm)	120" (3030mm)	120" (3030mm)	120" (3030mm)
Weight lbs (kg)												
45" swing	33,880 (15368kg)	35,640 (16166kg)	39,160 (17765kg)	42,680 (19360kg)	46,200 (20966kg)	49,720 (22553kg)	53,240 (24150kg)	56,760 (25746kg)	56,760 (25746kg)	63,800 (28940kg)	67,320 (30536kg)	70,840 (32133kg)
50" swing	34,760 (15767kg)	36,520 (16565kg)	40,040 (18162kg)	43,560 (19759kg)	47,080 (21355kg)	50,600 (22952kg)	54,120 (24549kg)	57,640 (26145kg)	61,160 (27742kg)	64,680 (29338kg)	68,200 (30935kg)	71,720 (32532kg)
60" swing	36,520 (16565kg)	38,280 (17363kg)	41,800 (18960kg)	45,320 (20557kg)	48,840 (22154kg)	52,360 (23750kg)	55,880 (25346kg)	59,400 (26944kg)	62,920 (28540kg)	66,440 (30137kg)	69,960 (31734kg)	73,480 (33330kg)
70" swing	38,280 (17363kg)	40,040 (18162kg)	43,360 (19668kg)	47,080 (21355kg)	50,600 (22952kg)	54,120 (24548kg)	57,640 (26145kg)	61,160 (27742kg)	64,680 (29339kg)	68,200 (30935kg)	71,720 (32532kg)	75,240 (34129kg)

Due to ongoing design improvements and customer requirements, design and specifications are subject to change without notice.



Center Distance, Dimensions and Weight



CC Series

Center Distance	94" (2400mm)	133" (3400mm)	173" (4400mm)	212" (5400mm)	252" (6400mm)	291" (7400mm)	330" (8400mm)	370" (9400mm)	409" (10400mm)	448" (11400mm)	488" (12400mm)
Length A	215" (5460mm)	255" (6475mm)	294" (7465mm)	334" (8485mm)	372" (9450mm)	412" (10465mm)	452" (11480mm)	491" (12470mm)	530" (13460mm)	570" (14480mm)	609" (15470mm)
Overall width B	108" (2750mm)	108" (2750mm)	108" (2750mm)	108" (2750mm)	108" (2750mm)	108" (2750mm)	108" (2750mm)	108" (2750mm)	108" (2750mm)	108" (2750mm)	108" (2750mm)
Height C	102" (2600mm)	102" (2600mm)	102" (2600mm)	102" (2600mm)	102" (2600mm)	102" (2600mm)	102" (2600mm)	102" (2600mm)	102" (2600mm)	102" (2600mm)	102" (2600mm)
Weight lbs (kg)											
35" swing	45,540 (20657kg)	51,040 (23151kg)	56,540 (25646kg)	62,040 (28141kg)	67,540 (30636kg)	73,040 (33131kg)	78,540 (35626kg)	84,040 (38120kg)	89,540 (40615kg)	95,040 (43110kg)	100,540 (45605kg)
40" swing	47,740 (21655kg)	53,240 (24150kg)	58,740 (26644kg)	64,240 (29139kg)	69,740 (31634kg)	75,240 (34129kg)	80,740 (36624kg)	86,240 (39118kg)	91,740 (41613kg)	97,240 (44108kg)	102,740 (46603kg)
45" swing	49,940 (22652kg)	55,440 (25147kg)	60,940 (27642kg)	66,440 (30137kg)	71,940 (32631kg)	77,440 (35126kg)	82,940 (37622kg)	88,440 (40116kg)	93,940 (42611kg)	99,440 (45105kg)	104,940 (47601kg)
50" swing	52,140 (23651kg)	57,640 (26145kg)	63,140 (28640kg)	68,640 (31135kg)	74,140 (33629kg)	79,640 (36125kg)	85,140 (38619kg)	90,640 (41114kg)	96,140 (43609kg)	101,640 (46104kg)	107,140 (48599kg)

CK Series

Center Distance	82" (2100mm)	122" (3100mm)	160" (4100mm)	200" (5100mm)	240" (6100mm)	279" (7100mm)	318" (8100mm)	358" (9100mm)	397" (10100mm)	437" (11100mm)	476" (12100mm)
Length A	231" (5870mm)	270" (6860mm)	309" (7770mm)	349" (8865mm)	388" (9855mm)	428" (10870mm)	467" (11860mm)	506" (12850mm)	546" (13870mm)	585" (14860mm)	625" (15875mm)
Overall width B	121" (3070mm)	121" (3070mm)	121" (3070mm)	121" (3070mm)	121" (3070mm)	121" (3070mm)	121" (3070mm)	121" (3070mm)	121" (3070mm)	121" (3070mm)	121" (3070mm)
Height C	120" (3030mm)	120" (3030mm)	120" (3030mm)	120" (3030mm)	120" (3030mm)	120" (3030mm)	120" (3030mm)	120" (3030mm)	120" (3030mm)	120" (3030mm)	120" (3030mm)
Weight lbs (kg)											
50" swing	58,740 (26644kg)	67,540 (30636kg)	76,340 (34627kg)	85,140 (38619kg)	93,940 (42611kg)	102,740 (46603kg)	111,540 (50594kg)	120,340 (54586kg)	129,140 (58580kg)	137,940 (62570kg)	146,740 (66561kg)
60" swing	62,040 (28141kg)	70,840 (32133kg)	79,640 (36124kg)	88,440 (40116kg)	97,240 (44108kg)	106,040 (48100kg)	114,840 (52091kg)	123,640 (56083kg)	132,440 (60074kg)	141,240 (64066kg)	150,040 (68058kg)
70" swing	65,340 (29638kg)	74,140 (33630kg)	82,940 (37622kg)	91,740 (41613kg)	100,540 (45605kg)	109,340 (49597kg)	118,140 (53588kg)	126,940 (57580kg)	135,740 (61572kg)	144,540 (65563kg)	153,340 (69555kg)
80" swing	68,640 (31135kg)	77,440 (35127kg)	86,240 (39118kg)	95,040 (43110kg)	103,840 (47109kg)	112,640 (51094kg)	121,440 (55085kg)	130,240 (59077kg)	139,040 (63068kg)	147,840 (67060kg)	156,640 (71052kg)

Due to ongoing design improvements and customer requirements, design and specifications are subject to change without notice.



Clausing CNC Large Swing Lathes Standard Equipment

CL Series

- Fanuc 18i T Control or Fanuc 21i T Teach-in Control with 10.4" screen
- 40/50 hp Fanuc AC spindle drive motor
- Electrical cabinet refrigerator • Spindle oil cooling refrigerator
- 4 speed range, auto change, variable speed spindle drive
- HP350 auto H4, 4 way tool turret
- Front and rear belt type chip conveyor with cart
- Programmable hydraulic tailstock with rotating quill and hydraulic body movement
- 1.57" X-axis ballscrew, 2.48" Z-axis ballscrew, one piece on 62" to 279" centers, 318" and longer centers, rack with linear scales
- Steel ballscrew cover up to 160" and telescopic ballscrew cover on 200" and longer
- 5 hp X and Z axis servo motors
- Full guarding with interlock, 2 doors on 62" to 160" centers, 3 doors on 200" centers and longer
- Halogen work light • Coolant system
- 3 hp hydraulic pump motor
- Auto lube • 2 centers
- Hardened and ground bed ways
- Hardened and ground gears
- Leveling screws and pads
- Tools, tool box, operation manual

CB Series

- Fanuc 18i T Control or Fanuc 21i T Teach-in Control with 10.4" screen
- 50/60 hp Fanuc AC spindle drive motor
- Electrical cabinet refrigerator • Spindle oil cooling refrigerator
- 4 speed range, auto change, variable speed spindle drive
- HP350 auto H4, 4 way tool turret
- Front and rear belt type chip conveyor with cart
- Programmable hydraulic tailstock with rotating quill and hydraulic body movement
- 1.77" X-axis ballscrew, 3.15" Z-axis ballscrew, one piece on 70" to 291" centers, 330" and longer centers, rack with linear scales
- Steel ballscrew cover up to 160" and telescopic ballscrew cover on 200" and longer
- 6 hp X and Z axis servo motors
- Full guarding with interlock, 2 doors on 70" to 173" centers, 3 doors on 212" centers and longer
- Halogen work light • Coolant system
- 3 hp hydraulic pump motor
- Auto lube • 2 centers
- Hardened and ground bed ways
- Hardened and ground gears
- Leveling screws and pads
- Tools, tool box, operation manual

CC Series

- Fanuc 18i T Control or Fanuc 21i T Teach-in Control with 10.4" screen
- 50/60 hp Fanuc AC spindle drive motor
- Electrical cabinet refrigerator
- Spindle oil cooling refrigerator
- 4 speed range, auto change, variable speed spindle drive
- HP450 auto H4, 4 way tool turret
- Front and rear belt type chip conveyor with cart
- Programmable hydraulic tailstock with rotating quill and hydraulic body movement
- 1.97" X-axis ballscrew, 3.15" Z-axis ballscrew, one piece on 94" to 291" centers, 330" and longer centers, rack with linear scales
- Steel ballscrew cover up to 133" and telescopic ballscrew cover on 173" and longer
- 6 hp X and Z axis servo motors
- Full guarding with interlock, 2 doors on 94" to 173" centers, 3 doors on 212" centers and longer
- Halogen work light • Coolant system
- 3 hp hydraulic pump motor
- Auto lube • 2 centers
- 4 hardened and ground bed ways
- Hardened and ground gears
- Leveling screws and pads
- Tools, tool box, operation manual

CK Series

- Fanuc 18i T Control or Fanuc 21i T Teach-in Control with 10.4" screen
- 80/100 hp Fanuc AC spindle drive motor
- Electrical cabinet refrigerator • Spindle oil cooling refrigerator
- 4 speed range, auto change, variable speed spindle drive
- HP450 auto H4, 4 way tool turret
- Front and rear belt type chip conveyor with cart
- Programmable hydraulic tailstock with rotating quill and hydraulic body movement
- 2.36" X-axes ballscrew, 3.93" Z-axes ballscrew, one piece on 82" to 318" centers, 358" and longer centers, rack with linear scales
- Steel ballscrew cover up to 82" and telescopic ballscrew cover on 122" and longer
- 8 hp X axis servo motors
- 11 hp Z axis servo motor
- Full guarding with interlock, 2 doors on 82" to 160" centers, 3 doors on 200" centers and longer
- Halogen work light • Coolant system
- 5 hp hydraulic pump motor
- Auto lube • 2 centers
- 4 hardened and ground bed ways
- Hardened and ground gears
- Leveling screws and pads
- Tools, tool box, operation manual

Spindle Bore and Speed Range

Spindle Bore Size	6.02"	9.05"	10.03"	12.51"	14.17"	16.14"	21.06"	24.02"
Spindle Nose	A2-11	A2-15	A2-15	A2-20	A2-20	A2-28	A2-28	A2-32
Front Spindle Bearing	7.87"	12"	14"	15"	16.12"	19.25"	23.5"	27.5"
Speed Range #1 (rpm)	18-130	16-120	13-95	12-85	10-75	8-50	6-40	4-25
Speed Range #2 (rpm)	35-260	30-200	25-185	23-170	20-150	15-100	12-80	8-50
Speed Range #3 (rpm)	85-550	70-420	60-400	55-300	50-250	35-200	30-180	20-140
Speed Range #4 (rpm)	165-1000	150-700	120-600	110-400	95-350	65-300	50-250	40-220

Due to ongoing design improvements and customer requirements, design and specifications are subject to change without notice.

Optional Equipment

CL Series

- 50/60 spindle drive motor
- Spindle bore up to 14.17" on 35" swing, 16.14" on 40" swing and larger
- Dual chuck adapter
- Small closed steady rest - 1.5" to 15.75"
- Large closed steady rest - 13.8" to 27.56"
- Follower rest
- Hydraulic steady rest
- Linear scales
- Drill attachment for tailstock
- Heavy-duty Baruffaldi TB 320 8 station turret
- Heavy-duty Baruffaldi TB 320 8 station turret with VDI tooling
- Baruffaldi TBMA 320 C-axis live tooling (10/15 hp motor)
- Special order Duplomatic V8 8 station turret
- Special order Duplomatic V8 8 station turret with VDI tooling

CB Series

- Dual chuck adapter
- Spindle bore up to 14.17" on 35" swing, 21.06" on 40" swing and 24.02" on 40" and 50" swing lathes
- Small closed steady rest - 1.5" to 15.75"
- Large closed steady rest - 13.8" to 27.56"
- Follower rest
- Hydraulic steady rest
- Linear scales
- Drill attachment for tailstock
- Heavy-duty Baruffaldi TB 320 8 station turret
- Heavy-duty Baruffaldi TB 320 8 station turret with VDI tooling
- Baruffaldi TBMA 320 C-axis live tooling (10/15 hp motor)
- Special order Duplomatic V8 8 station turret
- Special order Duplomatic V8 8 station turret with VDI tooling

CC Series

- Dual chuck adapter
- Spindle bore up to 24.02"
- Small closed steady rest - 1.5" to 15.75"
- Large closed steady rest - 13.8" to 27.56"
- Small open steady rest - 1.5" to 15.75"
- Large open steady rest - 13.8" to 27.56"
- Follower rest
- Hydraulic steady rest
- Linear scales
- Drill attachment for tailstock
- Heavy-duty Baruffaldi TB 320 8 station turret
- Heavy-duty Baruffaldi TB 320 8 station turret with VDI tooling
- Baruffaldi TBMA 320 C-axis live tooling (15/20 hp motor)
- Special order Duplomatic V8 8 station turret
- Special order Duplomatic V8 8 station turret with VDI tooling

CK Series

- Dual chuck adapter
- Spindle bore up to 24.02"
- Small closed steady rest - 1.5" to 15.75"
- Large closed steady rest - 13.8" to 27.56"
- Small open steady rest - 1.5" to 15.75"
- Large open steady rest - 13.8" to 27.56"
- Follower rest
- Hydraulic steady rest
- Linear scales
- Drill attachment for tailstock
- Heavy-duty Baruffaldi TB 320 8 station turret
- Heavy-duty Baruffaldi TB 320 8 station turret with VDI tooling
- Heavy-duty Baruffaldi TB 420 8 station turret
- Baruffaldi TBMA 400 C-axis live tooling (20/25 hp motor)
- Special order Duplomatic V8 8 station turret
- Special order Duplomatic V8 8 station turret with VDI tooling

Due to ongoing design improvements and customer requirements, design and specifications are subject to change without notice.

The "Clousing Large Swing CNC Lathe Profile" e-form is available on our web site, simply save it to your desktop, fill it out and e-mail to: info@clousing-industrial.com

www.clousing-industrial.com



Your Single Source for Machine Tools

Clausing Precision Drills

- Clausing Belt-drive Drills
- Clausing Geared-head Drills
- Clausing Radial Drills

Clausing Precision Mills

- Clausing Bed Mills
- Clausing CNC Bed Mills
- Clausing Knee Mills
- Clausing EVS Knee Mills

Clausing Precision Lathes

- Clausing/Colchester Geared Head Lathes
- Clausing/Colchester Professional V.S. Lathes
- Clausing CV Standard and CNC Lathes
- Clausing Large Swing Standard and CNC Lathes

Clausing Precision Grinders

- Clausing Manual Grinders
- Clausing 2 Axes Hydraulic Grinders
- Clausing 3 Axes Hydraulic Grinders
- Clausing ASDII Automatic Grinders

Clausing Precision Cutting Machines

- Clausing Horizontal Bandsaws
- Clausing Vertical Bandsaws
- Clausing Tilt Frame Miter Bandsaws
- Clausing Cold Saws

For detailed catalogs of the full line of Clausing Machine Tools visit our Web Site:

www.clausing-industrial.com

or e-mail us and request an electronic (pdf) catalog at:

info@clausing-industrial.com

Your Authorized Clausing Precision Machine Tools Distributor



Clausing Industrial, Inc.
1819 North Pitcher Street
Kalamazoo, Michigan 49007-1886
Information: info@clausing-industrial.com

Toll Free: 800-323-0972
Phone: 269-345-7155
Fax: 269-345-5945
Web Site: www.clausing-industrial.com