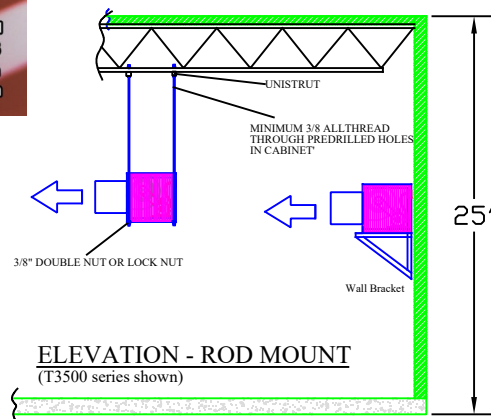


DIVERSITECH MODEL T-3500
AMBIENTAIR CLEANER

NOTES:

1. VERIFY UNIT LOCATIONS IN FIELD.
2. VERIFY INSTALLATION METHOD & MATERIAL PRIOR TO CONSTRUCTION.

SCALE: N.T.S.



Proposal to:	
Date: 1/29/18	DWG.# DT122164
PREPARED BY: BD	
MFG by:	

manufacturers of smoke & dust collectors