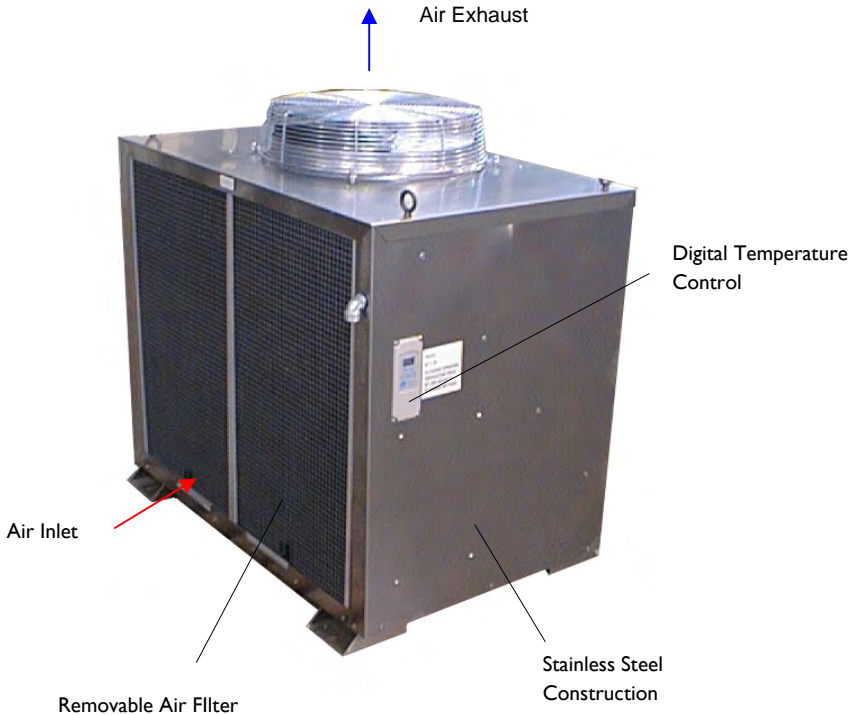


# Product Profile

## In-Line Chiller

Model # PC-12K-120K-IL-3

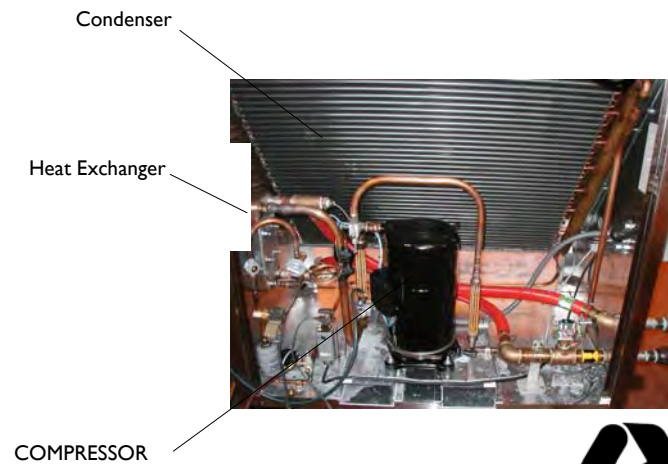


### Description

Chiller model utilizes durable welded hermetic scrolled compressor. Industrial type electrical in a Nema 12 panel. Chiller is equipped with a digital temperature controller. Models include a vertical air discharge which minimizes worker discomfort, reduces floor space requirements, and improves the ease of ducting air flow into the plant. Removable/Cleanable filters on the air intake are standard.

### System Features & Benefits

- Nickel brazed heat exchanger designed to handle close approach temperatures with efficient and reliable evaporation.
- Electrical configurations for 230 volt single phase and 460 volt three phase operations.
- Controls include low flow switch to prevent evaporator freeze up.
- Wiring will be of liquid tight or sjo cord.
- Refrigeration circuit includes service valves, high side filter drier, thermostatic expansion valve liquid line sight valve, high and low refrigeration charge.
- Chiller controls complete with digital temperature controller, high and low side refrigeration switches and coolant flow switch.

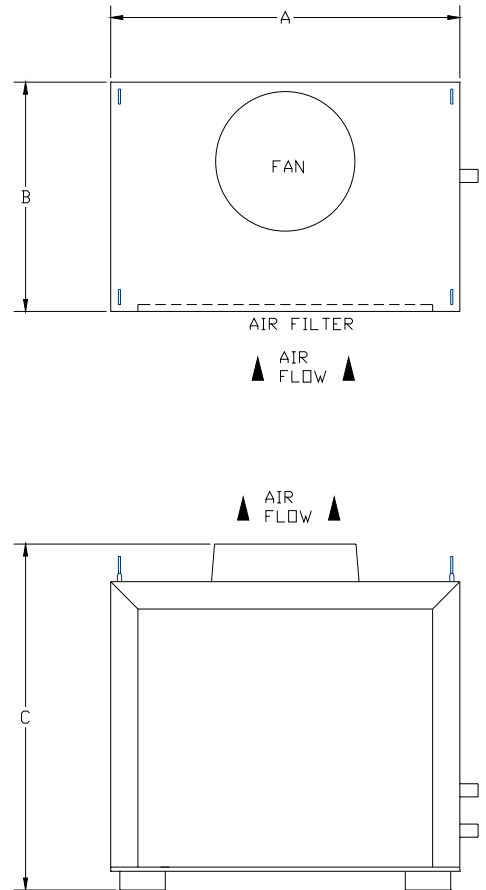
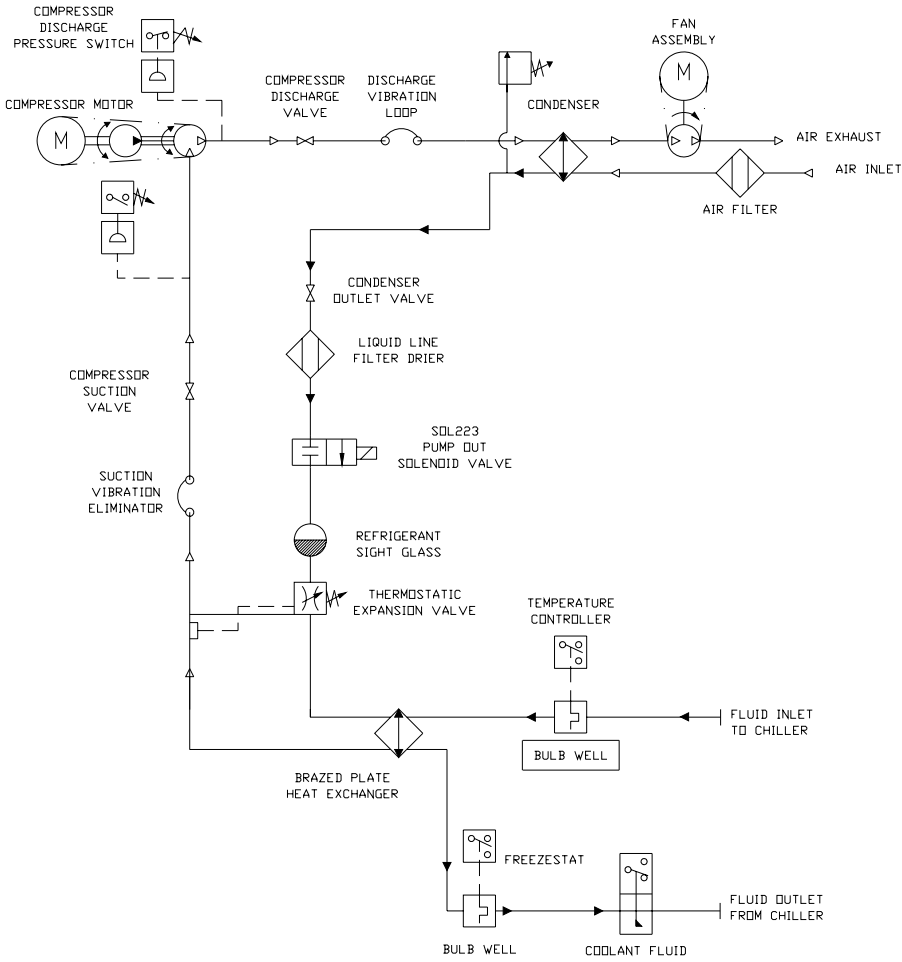


THIS IS A PROPRIETARY DOCUMENT OF EBBCO, INC.

# Specifications

## In-Line Chiller

### Model # PC-12K-120K-IL-3



Chiller Model	BTU/HR	Inlet/Outlet	Chiller Flow GPM		Chiller Dimensions(“)			Chiller FLA	
			OIL	WATER	A	B	C	230Vac/3Ø/60Hz	460Vac/3Ø/60Hz
PC-12000-IL-3	12,000	3/4" NPT	6	3	34	25	36	6.1	3
PC-18000-IL-3	18,000	3/4" NPT	9	5	28	25	56.5	10.3	5.2
PC-24000-IL-3	24,000	3/4" NPT	12	6	28	25	56.5	10.3	5.2
PC-36000-IL-3	36,000	3/4" NPT	18	9	42	27.5	41.5	15.1	7.6
PC-60000-IL-3	60,000	1 1/4" NPT	30	15	42	27.5	41.75	33	16.5
PC-96000-IL-3	96,000	1 1/2" NPT	45	25	50	31.5	53.875	38.9	19.5
PC-120000-IL-3	120,000	1 1/2" NPT	55	30	50	31.5	53.25	55.5	27.8

MAX / MIN PRESSURE 25psi - 100 psi