



**ERMAKSAN**  
METAL FABRICATING MACHINERY

*innovative technologies.*

# AHB

**TOOLING & MACHINERY, INC.**

**COMPLETE METALWORKING SOLUTIONS**

**(800) 991-4225**

**[www.ahbinc.com](http://www.ahbinc.com)**

**ISO Certified**

**[customerservice@ahbinc.com](mailto:customerservice@ahbinc.com)**

## **CNC HGS**

Hydraulic Swing Beam Shear



## **CNC HGS SERIES** Hydraulic Swing Beam Shear

ERMAKSAN, known as one of the top world wide manufacturer in sheet metal industry, proudly announces its latest shear model to the market, which we call it Hydraulic Swing Beam Shear "HGS".

HGS is a perfect choice with its modern design, durable heavy body and precise cutting quality.

Long lasting and durable upper beam plays a major role in cutting. Automatic hydraulic blade gap adjustment provides precise cutting of different material types and thicknesses.

You will realize how great of a choice it was to go with ERMAK HGS Shear once you start using it.

# High performance investment friendly solutions



**Cybtouch 6.**  
Designed for easy operation that allows comfortable working with high-resolution color touch screen.

### High performance investment friendly solutions;

Automatic blade gap adjustment system helps you to get perfect cuts from the first cut.

**Emergency stop buttons.**  
Easily reachable buttons.

**Front support arms.**  
1 meter (39") long, measured by mm/inch strong front support arms with T slot and stopper.

**Rigid structure.**  
Processed with high precision, dynamic and static rigidity provided strong body.



## General features (Cybtouch 6)

### User - friendly:

- Wide, bright, colorful touch screen to program easily.
- Easy control pages.
- Complete part programming in seconds.
- Quick machine set up with EASYCUT page.
- Contextual help and warning pup-up.

### Improved features:

- Auto shutdown function for energy saving.
- 10 different language selection.
- Working time.
- Wireless communication via PC/Laptop (optional).
- Backgauge auto-retraction programming.

### Better cuttings:

- Automatic calculations of cutting functions upon material specifications.
- More cutting sequence and programming memory.



### Squaring arm.

Makes it easy to handle the work and feeds the material through the cutting area by providing more delicate and quicker cuttings.

### Collapsible finger protection. (Switch protected)

In order to control angled cuttings and drawn lines front part of protection can be pulled up by operator.

**Solutions based on your needs;**

HGS shears are designed to meet your fabricating needs when fast and flexible cuts are in demand.

**Motorized back gauge system.**  
1000 mm long back gauge with 0,1 mm accuracy.

User-friendly color touch screen.

**Rear sheet sliding plates.**  
Cutting parts are carried out rapidly to the back side of shear.

**SICK light barrier.**  
Fast and secure protection at all time compatible with CE standards.

**Front finger protection.**  
Finger protection that matches with international safety standards, presents a great visual working area to operator.

**Foot pedal.**  
Dual positioned pedal allows you to cut automatically.



# Solutions based on your needs

## Standard Equipments

- Hardened blades.
  - Top blades : 2 sides
  - Bottom blades : 4 sides
- CYBELEC CYBTOUCH 6 controller.
- 1000 mm motorized backgauge system with 0,1 mm accuracy.
- 1000 mm side gauge and front support arms.
- Metric and inch rulers.
- Roller bearings on the front support arms to easy placing sheets.
- Front, side and back safety panels which are suitable for CE norms.
- Rear light curtains for safety.
- Sheet sliding system.
- SIEMENS electrical system.
- Hoerbiger hydraulic system.
- Automatic hydraulic blade gap adjustment.
- High pressurized silent pump.
- Holder springs.
- Moveable foot pedal.
- Emergency stop button.
- Shadow line.
- Collapsible finger protection.
- CE regulation and compliance certified.

## Optional Equipment

- Front angle gauge.
- Side gauge and front support arms in optional lengths.
- Sheet support system for thin sheets.
  - 1- Pneumatic support system. (Lever type)
  - 2- Pneumatic support system. (Monoblock panel type)
- Hydraulic oil cooling and heating system.
- Optional solid table.
- Stainless steel blades.
- Ability to increase stroke per minute.
- Light curtain system for finger protection.
- Coolant system or heater can be placed in electric panel during ambient conditions.
- Double foot pedal.
- Optional alternative colors.
- Electrical panel or controller can be placed on right side of the machine.
- Laser cutting line.
- Possibility to produce special size and capacity models due to your manufacturing needs.



**Squaring arm.**  
Makes it easy to handle the work and feeds the material through the cutting area by providing more delicate and quicker cuttings.



**Shadow line. (standard)**  
Provides qualified and sensitive cutting by casting a line shadow at the cutting edge for right positioning of the worksheet to be cut.



**Collapsible finger protection. (standard)**  
In order to control angled cuttings and drawn lines front part of protection can be pulled up by operator. (Switch protected)



**Light curtains for finger protection. (option)**  
Designed to enable easy and quick material handling with high-protection.



**Angle gauge. (option)**  
This device provides accurate and easy material handling in the angled cuttings.



**Laser cutting line. (option)**  
With the help of laser cutting line, angled or drawn line cuttings could be done easily and controllable.

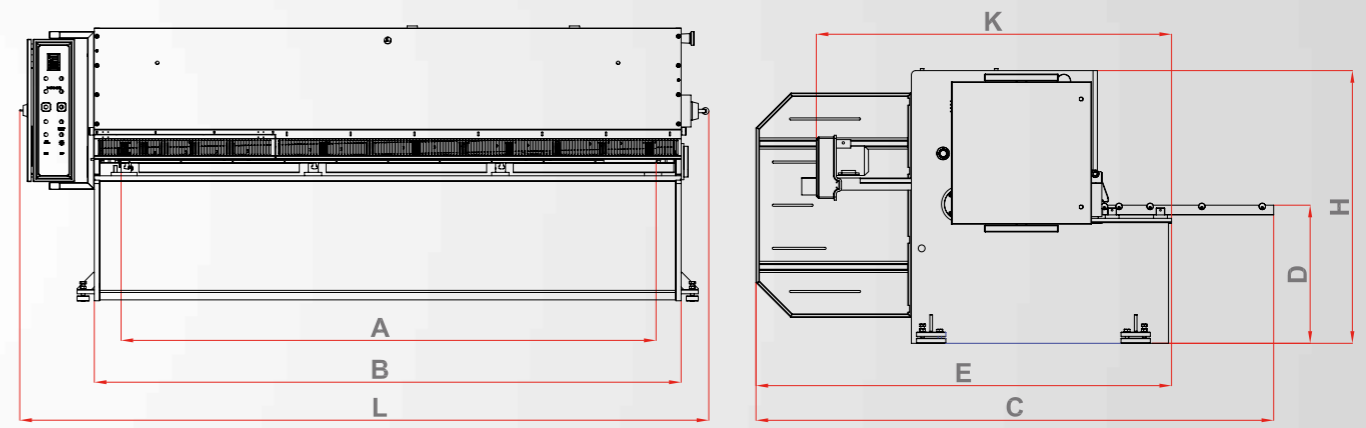


**Lever type pneumatic sheet support system (optional)**  
Avoids hanging down the wide and thin sheets via pneumatic arms support and provides more precise cuts.



**Monobloc type pneumatic sheet support system (optional)**  
Avoids hanging down the wide and thin sheets via pneumatic table support and provides more precise cuts.

## Technical Features



TYPES	CUTTING LENGTH	CUTTING CAPACITY (42kg/mm <sup>2</sup> )	CUTTING CAPACITY (70kg/mm <sup>2</sup> )	CUTTING ANGLE	STROKE PER MINUTE	NUMBER OF HOLD DOWNS	PRESSURE	MAIN MOTOR	BACK GAUGE MOTOR	OIL CAPACITY	BUFFER LENGTH	BLADE GAP ADJUSTMENT	BACK GAUGE STROKE	BACK GAUGE SPEED	NUMBER OF SHEET SUPPORT ARMS	TABLE LENGTH	MACHINE WIDTH	TABLE HEIGHT	WIDTH	TRANSPORT WIDTH	HEIGHT	LENGTH	WEIGHT
	A															B	C	D	E	K	H	L	
	mm	mm	mm	( ° )	1/min.	Amount	ton	kW	kW	lt.	mm	mm	mm	mm/s	Amount	mm	mm	mm	mm	mm	mm	mm	kg
CNC HGS 2100-6	2100	6	4	1.2	28	11	9	11	0.75	150	1970	0,05-0,8	1000	110	2	2415	3010	800	2410	2100	1640	3000	4500
CNC HGS 2600-6	2600	6	4	1.2	24	12	10	11	0.75	150	2400	0,05-0,8	1000	110	2	2900	3010	800	2410	2100	1640	3500	5150
CNC HGS 3100-6	3100	6	4	1.2	20	14	12	11	0.75	150	2800	0,05-0,8	1000	110	2	3400	3010	800	2410	2100	1640	4000	5700
CNC HGS 3600-6	3600	6	4	1.2	17	16	13	11	0.75	150	2800	0,05-0,8	1000	110	3	3930	3010	800	2410	2100	1650	4500	6200
CNC HGS 4100-6	4100	6	4	1.2	15	18	15	11	0.75	150	2800	0,05-0,8	1000	110	3	4430	3010	800	2410	2100	1650	5000	8100
CNC HGS 2100-8	2100	8	5	1.5	20	11	12	15	0.75	200	1970	0,05-1	1000	110	2	2435	3040	800	2450	2100	1700	3025	5500
CNC HGS 2600-8	2600	8	5	1.5	18	12	14	15	0.75	200	2400	0,05-1	1000	110	2	2935	3040	800	2450	2100	1700	3525	6300
CNC HGS 3100-8	3100	8	5	1.5	16	14	18	15	0.75	200	2800	0,05-1	1000	110	2	3435	3040	800	2450	2100	1700	4025	7150
CNC HGS 4100-8	4100	8	5	1.5	12	18	23	15	0.75	200	2800	0,05-1	1000	110	3	4435	3295	950	2555	2150	1950	5050	10800

Ermaksan reserves the right to make changes on technical specs without prior notice.

# Shear Series

ERMAKSAN proven experience in the world since 1965 by using high-tech manufacturing technologies CNC HVR, HGD and HGS models are brought the sheet metal working market.

ERMAKSAN, improves its reliability every day by working with highly educated engineers and by using the latest technology in rapidly developing sheet metal industry. By using world standard steel, hydraulic systems and electronic products all your production needs provided.

Your needs are met with different options by fast, flexible and the most appropriate way.



**CNC HVR SERIES**  
Variable Rake Hydraulic Guillotine Shear



**CNC HGD SERIES**  
Hydraulic Guillotine Shear



**CNC HGS SERIES**  
Hydraulic Swing Beam Shear



**ERMAKSAN**  
METAL FABRICATING MACHINERY

*innovative technologies.*

# AHB

**TOOLING & MACHINERY, INC.**

**COMPLETE METALWORKING SOLUTIONS**

**(800) 991-4225**

**[www.ahbinc.com](http://www.ahbinc.com)**

**ISO Certified**

**[customerservice@ahbinc.com](mailto:customerservice@ahbinc.com)**

