



Flow

MACH 4 WATERJET SERIES

AHB

TOOLING & MACHINERY, INC.

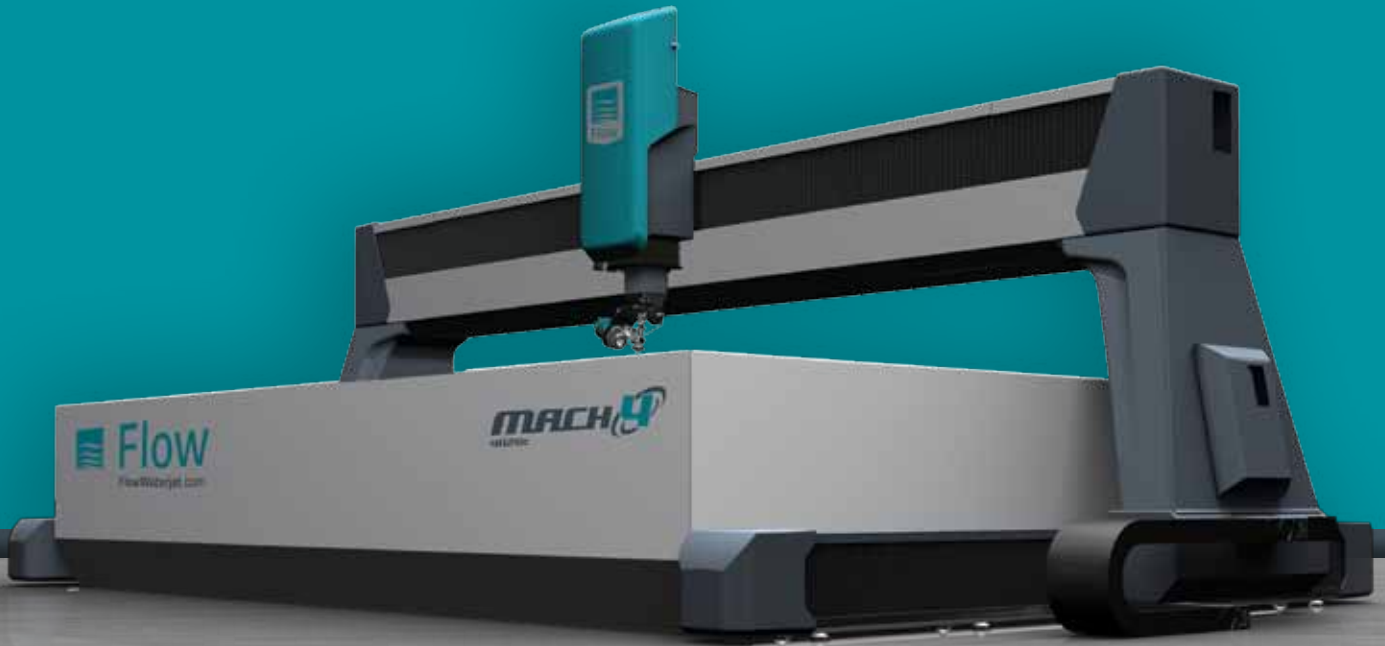
COMPLETE METALWORKING SOLUTIONS

(800) 991-4225

www.ahbinc.com

ISO Certified

customerservice@ahbinc.com



MACH 4

YEARS AHEAD.

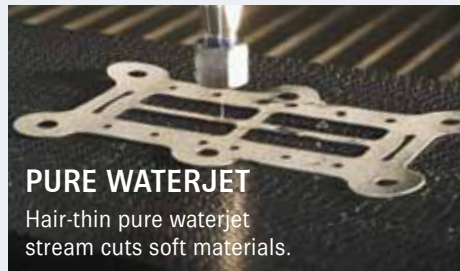




INVEST IN YOUR FUTURE

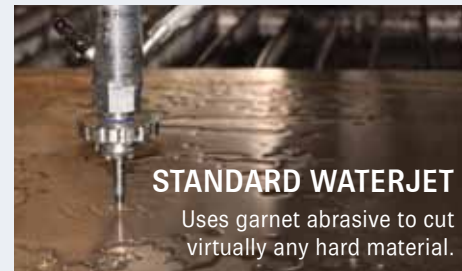
Wrapped in a sleek design, every feature on the Mach 4 is purposefully constructed to make you more productive.

CUTTING HEAD TECHNOLOGY



PURE WATERJET

Hair-thin pure waterjet stream cuts soft materials.



STANDARD WATERJET

Uses garnet abrasive to cut virtually any hard material.



DYNAMIC WATERJET®

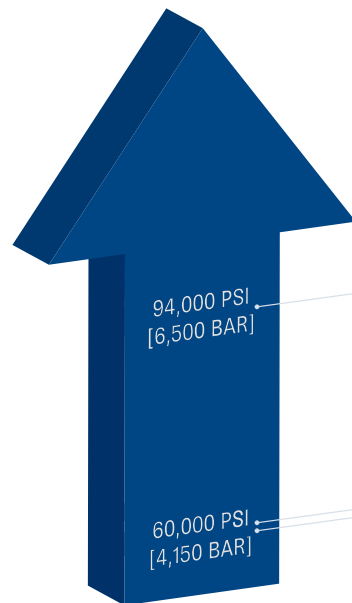
Three times faster and more accurate than Standard Waterjet.



DYNAMIC XD

The accuracy and speed of Dynamic Waterjet brought to the 3D world.

A PUMP FOR EVERY APPLICATION



HYPERJET®

94,000 PSI [6,500 BAR]

With pressures rated at an industry leading 94,000 psi [6,500 bar] and continuous operating pressures of 87,000 psi [6,000 bar], HyperJet pumps provide maximum productivity.



INTENSIFIER

60,000 PSI [4,150 BAR]

With continuous operating pressure at 60,000 psi [4,150 bar], this is the longest lasting, lowest maintenance ultrahigh-pressure pump in the industry.



HYPLEX® PRIME

60,000 PSI [4,150 BAR]

With pressures rated at 60,000 psi [4,150 bar] and continuous operating pressures of 55,000 psi [3,800 bar], HyPlex Prime pumps are the highest pressure, most advanced direct drive pumps available today.

PRESSURE = PRODUCTIVITY

Flow offers the widest array of high-pressure pumps. Each is fully integrated with sensor driven diagnostics that are monitored by the Mach 4 operator station.

OPERATOR CONVENIENCE EFFICIENCY THROUGH DETAILS

We work hard to provide operator convenience features that allow you to cut faster, more accurate parts. The Mach 4 takes productivity and ergonomics to the next level, making you more efficient through design.



1. ENHANCED WORKPIECE VISIBILITY

Exclusive under-bridge LED lighting provides increased visibility, helping to improve part accuracy and reduce operator fatigue.



2. HYDROCLEAN™ ABRASIVE REMOVAL

Specialty jets efficiently flush waterjet abrasive, removing it automatically, so you don't have to do it manually. This revolutionary system provides easy removal for less downtime and increased production.



3. ACCESSIBILITY STEP

The machine design provides optimal system stability. It can also be used as an integrated operator step, for additional access to your workpiece as needed.



4. HANDY AIR & WATER CONNECTIONS

Easily access air and water, both on the same hand-held connection.



5. ERGONOMIC TOE-KICK

Designed with the operator in mind, the unique toe-kick allows for comfortable access to your materials and parts.

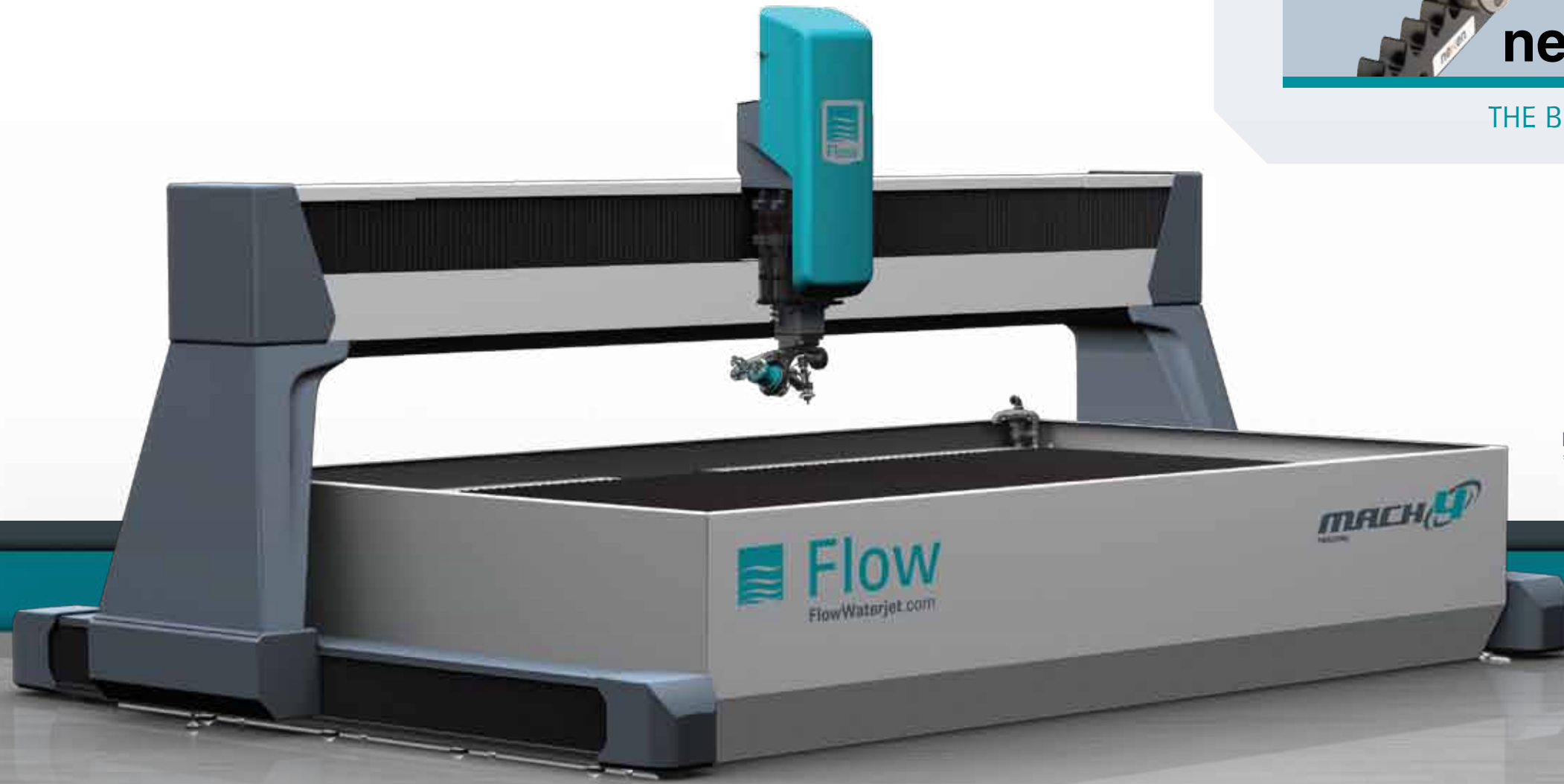


6. ROLL AROUND CONTROL

Move freely about your waterjet, taking your touch screen control console with you for convenience.



FASTER CUTTING. FASTER REWARDS.



MACH 4 4020c
*See additional sizes and specifications on back



THE BEST RIDE

THE BEST RIDE

Waterjet performance and cut part quality depend heavily on the motion system. The Mach 4 features a state-of-the-art drive system, the Nexen Roller Pinion System (RPS). Offered **exclusively** by Flow, this special motion system combines the best features of linear motors, precision ball screws and pinion systems without the compromises.

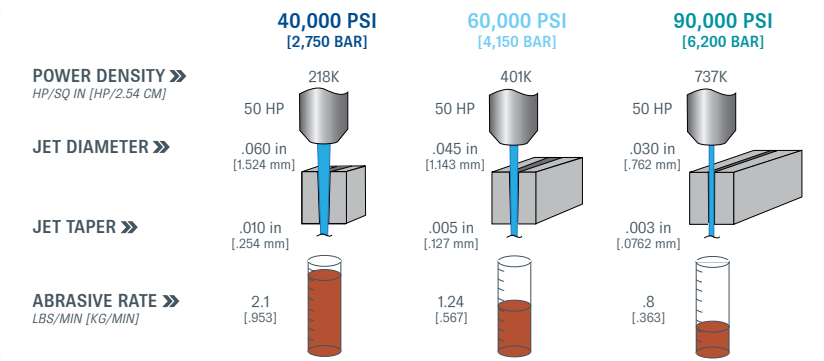
Achieve speed and accuracy with zero backlash.

PRESSURE = PRODUCTIVITY

The physics are simple and the results are conclusive: the faster your waterjet stream moves, the faster you can cut. A faster waterjet stream also uses less abrasive.

Cut Faster | Lower Costs | Increase Production

Whether you are prototyping one-off parts or producing large quantities of parts, higher pressure will get your job done significantly faster and at an overall lower cost.



SMARTSTREAM™ TECHNOLOGY

Our exclusive SmartStream technology uses patented complex mathematical models that automatically adjust your cutting stream based on the material parameters you choose.

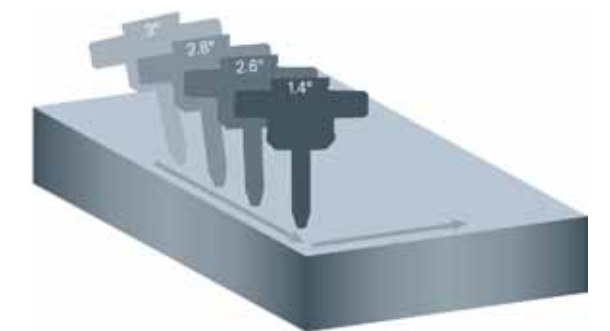
Simply select your material type and thickness from the library of over 100 tested and pre-programmed materials. SmartStream will calculate the correct speed and angles to provide you with a precise part at the fastest speed possible.



DYNAMIC WATERJET®—DYNAMICALLY SUPERIOR PARTS

Our patented Dynamic Waterjet works unlike any other system. Using our SmartStream technology, Dynamic Waterjet not only counters stream lag and taper (characteristics inherent to waterjet), but also automatically tilts and monitors the speed of your cutting head on the fly. This ensures the part you pick up off the table is cut as quickly as possible, and to high precision.

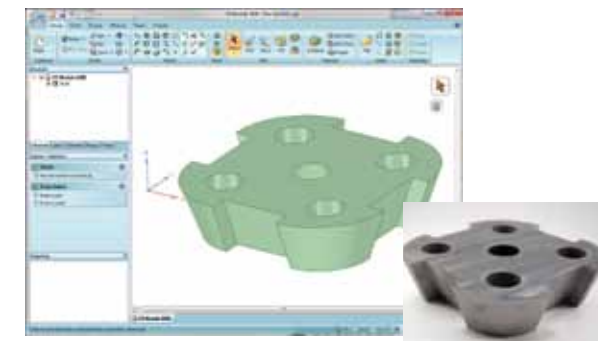
- Exacting precision: +/- .001 in [+/- .0254 mm]
- Up to 3x faster than standard systems



DYNAMIC WATERJET® XD—DYNAMICALLY SUPERIOR PARTS

Dynamic XD incorporates the unique capabilities of SmartStream technology and Dynamic Waterjet (described above) for angular cutting. This distinctive Flow technology can cut with 5-axis motion, even cutting compound angles with improved speed and accuracy. Easily cut flat stock with up to +/- 60° of motion.

Test cut for safety required on all formed and 3D parts.



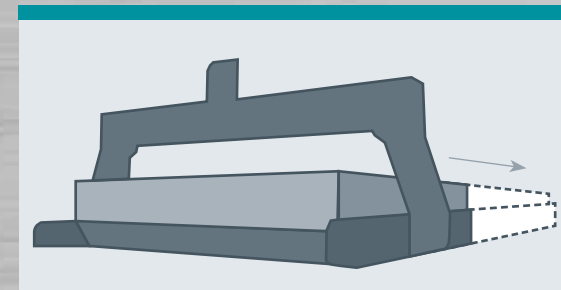
THE NEXT GENERATION OF WATERJET

ENGINEERED TOUGH



With durable design throughout, the Mach 4 is made up of precision machined and thermally stress-relieved solid steel castings, easily handling even the most rigorous use day in and day out.

MODULAR DESIGN



Unlike any other system available, this easily expandable modular design allows your waterjet system to grow with your business. Add increased capabilities and cutting area as needed.

SIMPLE YET POWERFUL SOFTWARE

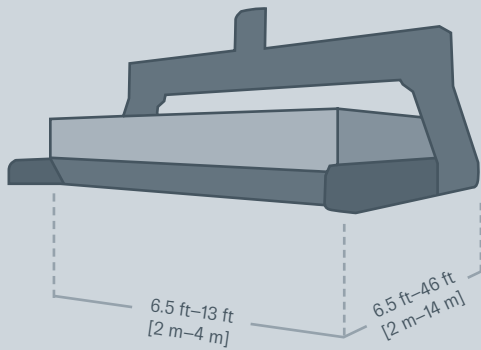


Our comprehensive software suite allows you to draw, design, import and program flat stock and 3D parts with ease and efficiency.

FASTER, MORE ACCURATE CUTTING



Groundbreaking cutting and motion technology provides high speed cutting and unrivaled precision, ensuring you are well equipped for even the toughest job in your shop.



Mach 4 Specifications

Linear Straightness Accuracy	.001 in/3 ft	.025 mm/m
Repeatability	.001 in	.025 mm
Maximum Speed	1,400 ipm	36 m/min
Z Travel	12 in	305 mm
Bridge (x-axis)	6.5 ft, 10 ft, 13 ft	2 m, 3 m, 4 m
Base (y-axis)	6.5 ft-46 ft	2 m-14 m (1 m increments)

ADDITIONAL OPTIONS & ACCESSORIES

- Remote Handheld Pendant
- Stainless Steel Catcher Tank
- Workpiece Fixturing System
- Multiple Cutting Heads
- High-Performance Motion Package
- HydroClean™ Abrasive Removal System
- UltraPierce™ Material Piercing Assist
- High-Pressure Pump Option up to 94,000 psi [6,500 bar]
- Large Capacity Bulk Abrasive Hopper
- ProXtract™ Part Removal Wand
- Spray Containment Package
- And More



UNITED STATES & CANADA

23500 64th Avenue South
 Kent, Washington 98032 USA
 Tel: 253-850-3500
 TOLL-FREE: 800-446-3569
 Fax: 253-813-3285
 info@flowcorp.com
 FlowWaterjet.com

CENTRAL AMERICA, SOUTH AMERICA, MEXICO & CARIBBEAN

Tel: +55-11-3616-2822
 flowlatino@flowlatino.com
 FlowLatino.com

EUROPE, MIDDLE EAST & AFRICA

Tel: +49-7252-538-0
 info@flowgmbh.com
 FlowEurope.com

TAIWAN, CHINA, KOREA, SOUTHEAST ASIA, AUSTRALIA & NEW ZEALAND

Tel: +886-3-577-2102
 sales@flowasia.com.tw
 FlowAsia.com

JAPAN

Tel: +81-52-701-7021
 fjc@flowjapan.co.jp
 FlowAsia.com

© 2011 Flow International Corporation. All Rights Reserved. Specification and depictions are correct at time of printing.

Flow reserves the right to make specification and design changes. Version 0711.



TOOLING & MACHINERY, INC.

COMPLETE METALWORKING SOLUTIONS

(800) 991-4225

www.ahbinc.com

ISO Certified

customerservice@ahbinc.com