



# Flow Waterjet Solutions

World Leader in Waterjet





# Flow is waterjet.

From invention, to definition, to revolution.

## Say Yes to Process Improvements

Increase efficiency of your production process with the speed, edge finish, and accuracy of Flow waterjet.

Better, faster cutting. From rough cuts to finely detailed finished parts.



**Cut Any Material**  
From modern metals to highly engineered materials



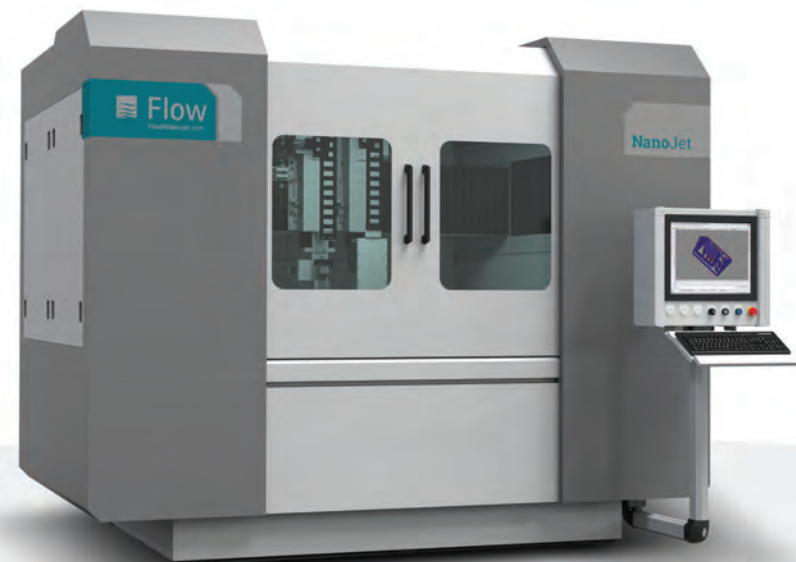
**Cold Cutting Process**  
No heat or stress when cutting



**Satin Smooth Edge**  
No secondary finishing required



**Minimal Kerf**  
Highly accurate, intricate cutting



Propel the global industries of today and tomorrow



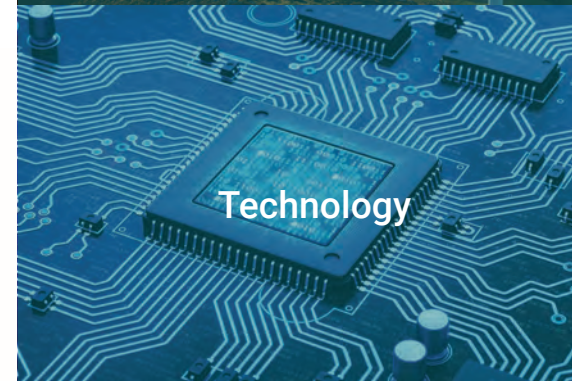
Energy



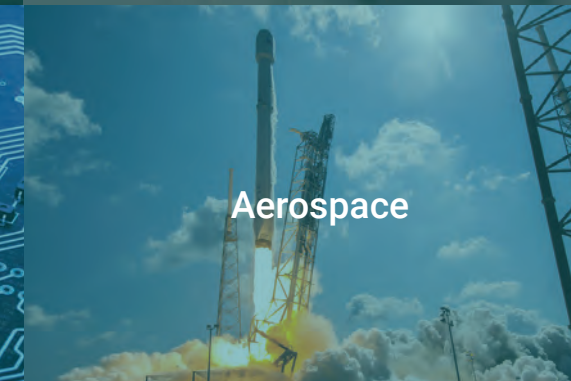
Oil & Gas



Automotive



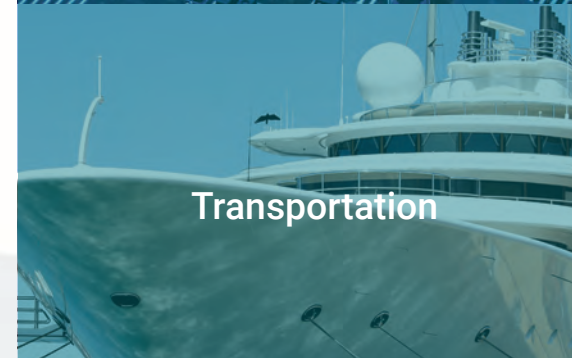
Technology



Aerospace



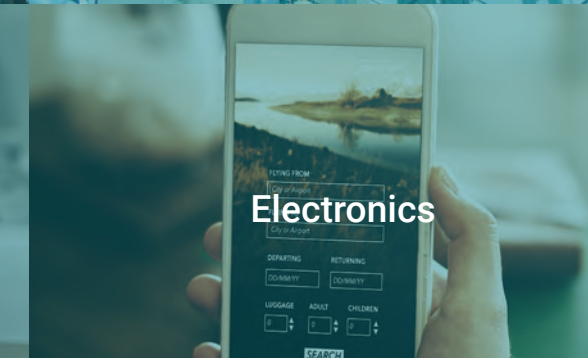
Architecture



Transportation



Medical



Electronics



# A Refined Process

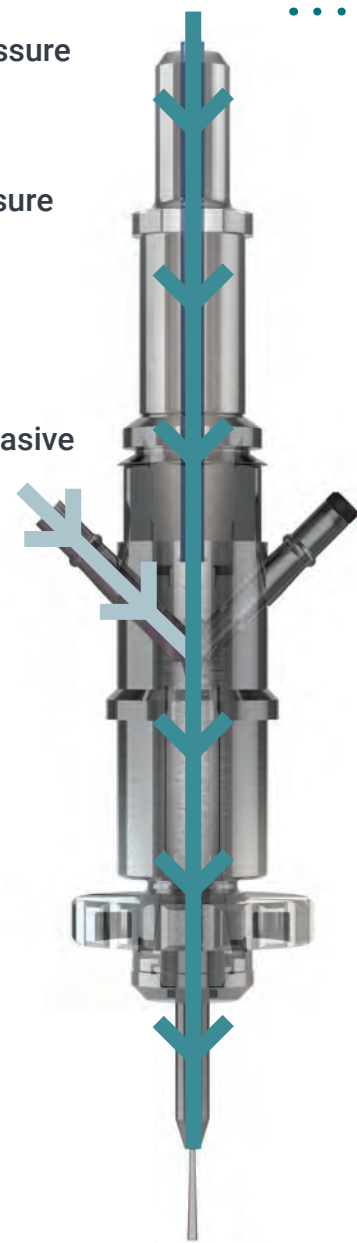
Waterjet technology is a cold cutting process using water, or water and abrasive, to supersonically erode any material. Flow waterjets are unlimited in what they can cut.

Here's how Flow waterjets work:

1 Generate Pressure

2 Convert Pressure into Velocity

3 Introduce Abrasive



## Completely Integrated Technology

Your entire waterjet system comes from one single supplier – Flow. Every part is specifically designed to work together using only the finest material and components in our manufacturing process.





# Experience the Flow Difference.

## Big innovation. Intimate support.

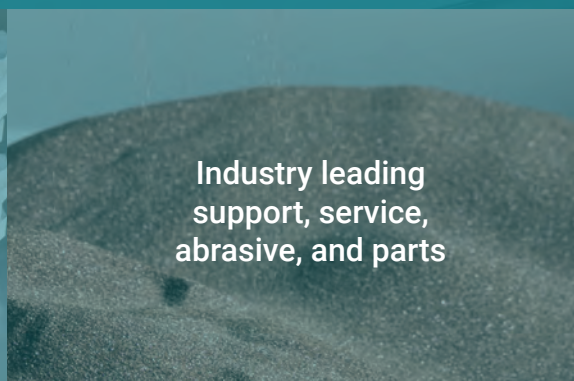
From design and engineering, to full service and support – with Flow you get more than a waterjet. You get a comprehensive solution for your business.



Successfully solving, and improving your overall part processing needs



Increasing your productivity



Industry leading support, service, abrasive, and parts



Providing applications knowledge and expertise



Worry-free maintenance



Intelligent, easy to use software



With our three levels of support – Standard, Plus, or Complete – choose the option that best fits your business and your budget.

Increase profits with FlowCare. Ensure uptime with our comprehensive service offerings that let you focus on what matters – your business.

Remember, maintenance isn't about fixing what breaks. It's about keeping your system running at optimal performance. FlowCare is centered around preventative maintenance, giving you confidence in your uptime, and a boost to your bottom line.

### Standard

All Flow systems feature our world class service and support, standard. No matter the system you choose, or the business you operate, you can count on Flow to provide you with the support you need.

### Plus

With FlowCare Plus you gain comprehensive coverage and unique advantages on top of Flow's Standard service. Automatically scheduled exchange programs deliver the parts you need to keep your system running prime. Bundled with consumables and abrasive, FlowCare Plus ensures you're prepared to maximize jet on time. With an extended factory warranty, your investment is safeguarded beyond the standard period.

### Complete

FlowCare Complete, our premier service partnership provides comprehensive coverage including all the benefits of our Standard and Plus programs, as well as additional exclusive advantages. With FlowCare Complete service is performed by our certified Flow technicians. We deliver the parts, we complete the maintenance, and we keep track of your system's health to automatically schedule your next check up. FlowCare Complete offers the ultimate waterjet service experience.

When you partner with Flow, you get more than a waterjet, you get the full support of our company.



Complete Consumables



Complete Abrasive



Complete Exchange



Complete Maintenance







Design without limits



Program efficiently



Cut the best part



# Flow Waterjet Software

## The Magic Behind the Machine.

### Your part, fast and simple.

40+ years of know-how ensures seamless integration of software and machine. Get the easiest programming and the best part production.

Enter your material type, thickness, and desired edge finish, and Flow software does the rest. Our patented algorithms and cutting models are the most advanced in the world, saving you hours of programming and setup time on every job.

# Flow Mach Series

## Customer driven design featuring Flow technology at every price point.

As a complete system manufacturer, every part of your Flow waterjet is designed to work together to make your cutting operations better. Your needs drive our future-proof system design.

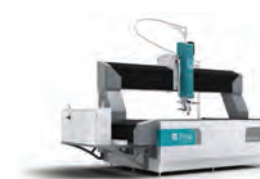
Flow waterjets come with various options, accessories, and technologies.



### Mach 2b – Flow Performance, Made Affordable.

The Mach 2 not only outperforms the standard waterjet offerings in the industry, but wins in value as well.

Sizes range from: 1.3 m x 1.3 m to 4 m x 2 m



### Mach 300 – Move Forward.

The Mach 300 is purpose-built to deliver reliable performance and dependability.

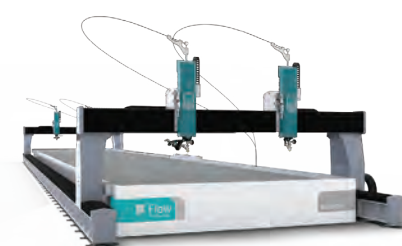
Sizes range from: 1.5 m x 2 m to x 1.5 m x 3 m



### Mach 500 – Make More.

The Mach 500 is the workhorse of waterjet, elevating your performance and production levels.

Sizes range from: 2 m x 2 m to 4 m x 8 m



### Mach 700 – Think Big.

The Mach 700 is our dual bridge, large format waterjet that's not only big, but fast and accurate as well. Make a big, positive impact to your bottom line.

Sizes range from: 4 m x 8 m to 5 m x 24 m



### NanoJet – Be Precise.

The NanoJet is our highly accurate, small format waterjet machining center featuring a full enclosure for precise, clean, and quiet cutting.

Sizes range from: 1.2 m x 0.65 m

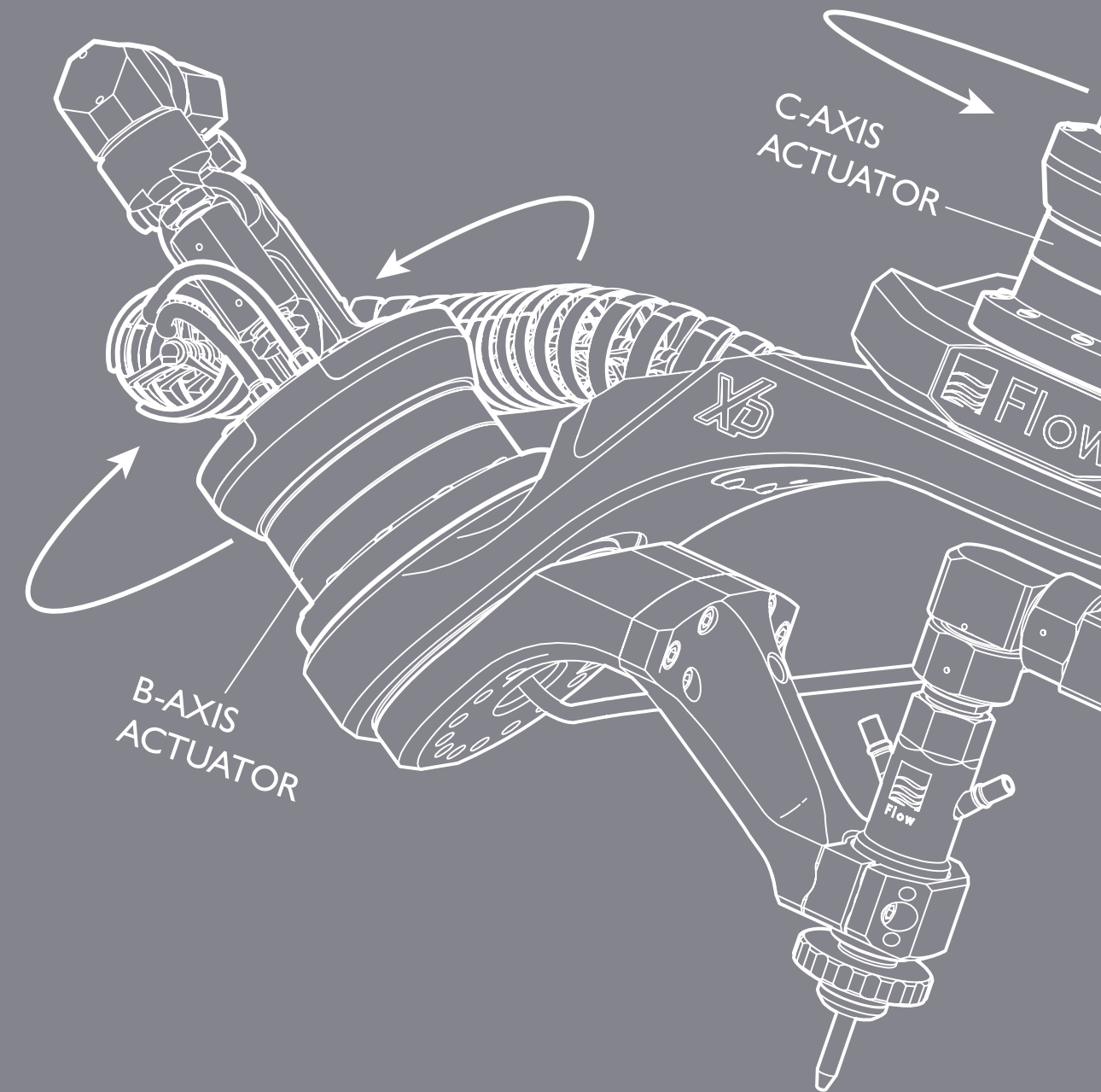


**Don't see what you need here?**  
**Ask about our Engineered to Order solutions.**

# Quick Product Reference Matrix

ULTRAHIGH-PRESSURE PUMPS					
Direct Drive 60K	•	•	•	•	•
Intensifier 60K	•	•	•	•	•
Intensifier 94K		•	•	•	•
CUTTING HEADS					
Standard Waterjet	•	•	•	•	•
Dynamic Waterjet®		•	•	•	•
Dynamic Waterjet® XD			•	•	
Dynamic Waterjet® XD with Compass			•	•	
Programmable Z-Axis	•	•	•	•	•
Dual Bridge				•	
Dual Head			•	•	•
SOFTWARE					
FlowPath	•	•	•	•	
FlowNest®	•	•	•	•	
FlowXpert®	•	•	•	•	
FlowCut	•	•	•	•	
ANCILLARY					
Roll-Around Control	•	•	•	•	
Safety Light Curtains	•	•	•	•	
OPTIONS					
UltraPierce™ Vacuum Assist	•	•	•	•	•
Dynamic Contour Follower™	•	•	•	•	
Closed Loop Water Filtration	•	•	•	•	•
Closed Loop Chiller	•	•	•	•	•
Spray Shields		•	•	•	•
ProXtract™ Part Extractor	•	•	•	•	
Pneumatic Drillhead		•	•	•	
Rotary Indexer			•		•
Operator Convenience Package			•	•	•
Remote Pendant	•				•

Designer. Manufacturer. Inventor.





Everything we do stems from our desire to serve our customers – from innovating the next waterjet advancement, to solving customer challenges – we are committed to always delivering best-in-class service.

When you partner with Flow you get more than a waterjet, you get the full support of our company.



**COMPLETE METALWORKING SOLUTIONS**

**(800) 991-4225**

**[www.ahbinc.com](http://www.ahbinc.com)**

**ISO Certified**

**[customerservice@ahbinc.com](mailto:customerservice@ahbinc.com)**

23500 64th Avenue South  
Kent, Washington 98032 USA

Tel: 253-850-3500

Toll-Free: 800-446-3569

Fax: 253-813-3285

[info@flowcorp.com](mailto:info@flowcorp.com)

[FlowWaterjet.com](http://FlowWaterjet.com)