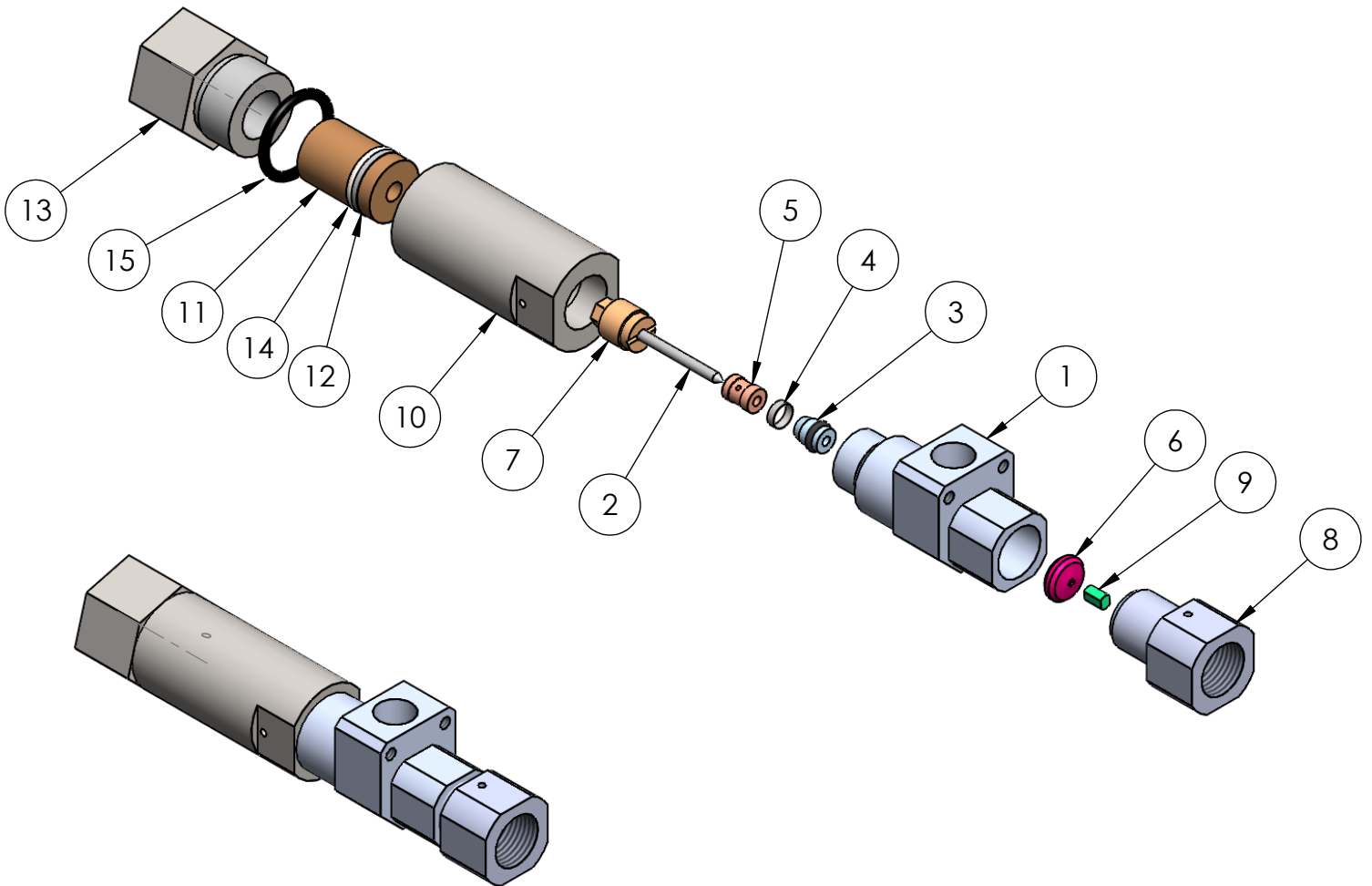


# Parts List

ITEM NO.	PART NUMBER	DESCRIPTION	QTY.
1	12943	VALVE BODY, AS BLEED DOWN	1
2	12942	NEEDLE, AS BLEED DOWN VALVE	1
3	11321	SEAL, HP, FL BDV	1
4	11323	SEAL HOOP	1
5	11324	BUSHING, FL BDV	1
6	11141	POPPET SEAT, FLOW	1
7	12945	SEAL BACKUP SCREW	1
8	12944	OUTLET ADAPTER, AS BLEED DOWN	1
9	11743	FLOW REDUCER, FL BDV	1
10	11779	ACTUATOR HOUSING, FL BDV	1
11	11778	PISTON, HYDRAULIC	1
12	11680-114	-114 BACKUP RING, CONTOURED	1
13	11796	ORB ADAPTER -8F TO -12M	1
14	11679-114	O-RING, 70DURO BUNA, -114	1
15	12880-912	SAE ORING; -912	1



DWG. NO.  
12941

SHEET  
1 OF 1  
REV  
A



309 5TH AVENUE NW PHONE: 651-294-8600  
NEW BRIGHTON, MN 55112 FAX: 651-294-8620  
EMAIL: INFO@ACCUSTREAM.COM  
WEB: WWW.ACCUSTREAM.COM

**HIGHLY CONFIDENTIAL  
PROPRIETARY INFORMATION**

TITLE:  
**BLEED DOWN VALVE ASSEMBLY**

ALL DATA AND INFORMATION ON THIS DOCUMENT IS FOR THE SOLE USE OF ACCUSTREAM AND ITS LICENSEES AND MAY NOT BE USED WITHOUT PERMISSION