



JET®

JET
1/2 TON CHAIN HOIST
Model No. 104210 L100-00-16
Stock No. 274004
Serial No. 274004

OVERHEAD LIFTING

RAISING TOUGH TO A NEW LEVEL

JETTOOLS.COM



TABLE OF CONTENTS

LEVER HOISTS 4-9

JLP SERIES
JLH SERIES

CHAIN HOISTS 10-15

L100 SERIES
SMH SERIES

PLAIN TROLLEYS 16

HDT SERIES HEAVY-DUTY
PT INDUSTRIAL-DUTY

BEAM CLAMPS 17

HBC SERIES
JBC SERIES

ELECTRIC CHAIN HOISTS 18-19

SSC SERIES

ELECTRIC TROLLEYS 20

ET SERIES

PUSH BUTTON CONTROLS 21

PULLERS 22

JCP SERIES
JCH LINESMEN
JG GRIP

WARRANTY 23



STILL INTO HEAVY LIFTING

JET was born in 1958 when the founder of the company took the first Boeing Jet airplane from Seattle, Washington to Japan.

JET began as a small dealer of air hoists and trolleys; sold out of a single hardware store in Seattle, Washington.

From a single store front, to thousands of dealers across the US, JET has grown and evolved with the times.

Our colors have gone from green, to orange, and now to our instantly recognizable trademark JET white. Our product line has grown, and our distribution centers have expanded. Through it all, JET still maintains the same message of quality, service, and innovation that we were founded on.

We pride ourselves on bringing new products to our consumers, and working with world class distributors. Please join us in celebrating this milestone and remember; when you want the best product for the right price, think JET.



JLH SERIES LEVER HOISTS

The JET logo consists of a red horizontal bar above the word "JET" in a bold, black, sans-serif font. A registered trademark symbol (®) is located to the right of the word.

THE LAST LEVER HOIST YOU WILL EVER NEED...

JET JLH series lever hoists combine a true industrial design with highly refined quality.

- The drop forged, carbon steel hooks are quenched and tempered to increase strength and will slowly stretch to indicate an overload situation.
- Cast steel safety latches, attached with Allen head screws and lock nuts, outclass the industry standard of stamped safety latches.
- The induction hardened, 100 grade load chain provides 20% more strength than the common 80 grade load chain found on inferior lever hoists.
- The caged needle bearing supported load sheave provides efficient and smooth operation.
- The investment cast anchor plate, and all other internal parts are fully heat treated and quenched for added strength and reliability.
- All the internal parts are Zinc coated for additional corrosion protection.
- The triple spur gear drive train features alloy steel gears that have been heat treated, quenched and then case hardened for a life time of service.
- The patented fused brake disc design means little to no maintenance is required to keep these hoists operational.
- Every JLH lever hoist is factory tested and comes with a signed test certificate from the factory.
- All JLH lever hoists comply with ANSI/ASME B30.21 and HST-3 standards.

The attention to detail in the design of this series is second to none.





FEATURES

- Full range of capacities from .8 Ton to 9 Ton units stocked
- Case Hardened and quenched drive shaft features a phosphate finish that provides a minimum of 35 hours of salt spray protection
- Electrostatic Powder coat finish - ensures all surfaces are covered same thickness
- Slip clutch overload protection available on every size
- Key internal components coated with Dacromet - provides 500 hrs of salt spray protection
- Each unit is tested at factory to 150% of rated capacity prior to shipment and is supplied with a unique, traceable serial number
- Easy to replace cast (not stamped steel) safety latches and hooks - Knowing that these are some of the most commonly replaced items, we've made it easy to replace with minimal down time
- Limited sizes available with Ship Yard Hooks
- 5 year warranty

- | | |
|--|---|
| A. Hook Swivels 360° | E. Fused Brake Discs |
| B. Optional Overload Protection | F. Caged Needle Bearing Supported Drive Pinion |
| C. 100 Grade Chain | G. Optional Shipyard Hooks |
| D. Cast Safety Latches | |



JLH SERIES LEVER HOISTS



LEVER HOISTS

DIMENSIONS

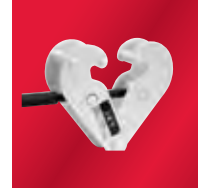
Model	A	B	C	D	E	F	H
0.8	5-11/16	3-13/16	4-11/16	9-5/8	15/16	1-7/16	11
1	5-11/16	3-13/16	4-11/16	9-5/8	1-1/8	1-11/16	11-13/16
1.6	6-1/4	3-15/16	4-15/16	10-7/16	1-1/4	1-11/16	13-3/16
2.5	6-13/16	4	5-7/8	10-7/16	1-7/16	1-7/8	14-3/4
3.2	7-1/2	4-7/16	6-1/4	16-5/16	1-9/16	1-15/16	15-9/16
6.3	7-1/2	4-7/16	8-9/16	16-5/16	1-15/16	2-3/8	21-1/4
9	7-1/2	4-7/16	11-15/16	16-5/16	2-7/8	3-3/8	26-3/4

ACCESSORIES

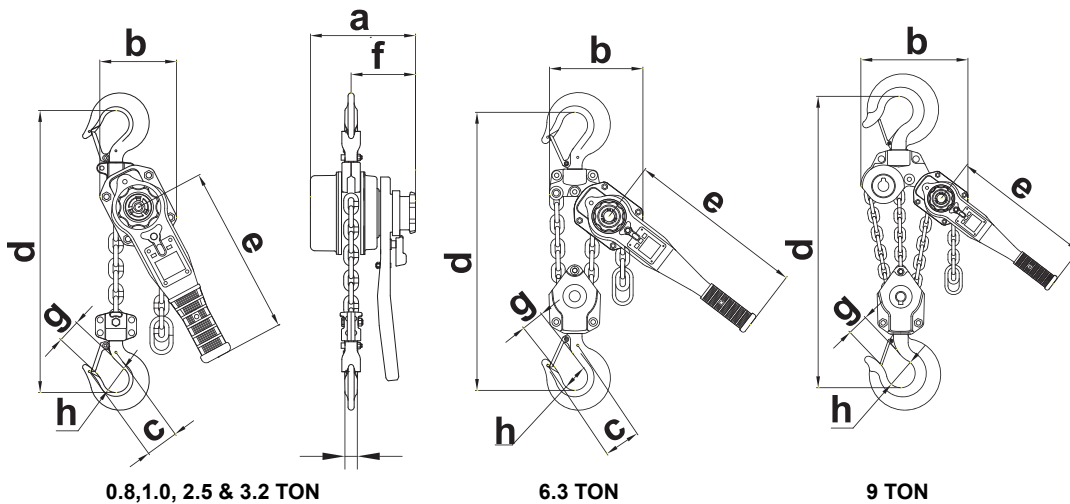
Manual Trolleys	See page 16
Beam Clamps	See page 17



See page 16



See page 17



SPECIFICATIONS

Stock Number	Model Number	Capacity (tons)	Capacity (lbs)	Standard Lift (ft)	Headroom (in)	Number of Falls	Load Chain (dia/mm)	Lever Length (in)	Pounds of Pull To Lift Capacity	Lift Per Full Turn of Lever (in)	Weight (lbs)	
.8-TON*												
275050	JLH-80-5	0.8	1760	5	11	1	5.6	9-5/8	64	1-1/8	12-1/2	
275010	JLH-80-10	0.8	1760	10	11	1	5.6	9-5/8	64	1-1/8	15	
275015	JLH-80-15	0.8	1760	15	11	1	5.6	9-5/8	64	1-1/8	17	
275020	JLH-80-20	0.8	1760	20	11	1	5.6	9-5/8	64	1-1/8	19-1/2	
.8-TON WITH OVERLOAD PROTECTION*												
375010	JLH-80WVO-10	0.8	1760	10	11	1	5.6	9-5/8	64	1-1/8	15	
375015	JLH-80WVO-15	0.8	1760	15	11	1	5.6	9-5/8	64	1-1/8	17	
375020	JLH-80WVO-20	0.8	1760	20	11	1	5.6	9-5/8	64	1-1/8	19-1/2	
1-TON*												
210050	JLH-100-5	1	2200	5	11-13/16	1	5.6	9-5/8	79	1-1/8	13	
210010	JLH-100-10	1	2200	10	11-13/16	1	5.6	9-5/8	79	1-1/8	15-1/4	
210015	JLH-100-15	1	2200	15	11-13/16	1	5.6	9-5/8	79	1-1/8	17-1/2	
210020	JLH-100-20	1	2200	20	11-13/16	1	5.6	9-5/8	79	1-1/8	20	
1-TON WITH OVERLOAD PROTECTION*												
310010	JLH-100WVO-10	1	2200	10	11-13/16	1	5.6	9-5/8	79	1-1/8	15	
310015	JLH-100WVO-15	1	2200	15	11-13/16	1	5.6	9-5/8	79	1-1/8	17	
310020	JLH-100WVO-20	1	2200	20	11-13/16	1	5.6	9-5/8	79	1-1/8	20	
1.6-TON*												
215005	JLH-160-5	1.6	3520	5	13-3/16	1	7.1	10-3/8	75	7/8	17-1/2	
215010	JLH-160-10	1.6	3520	10	13-3/16	1	7.1	10-3/8	75	7/8	21-1/4	
215015	JLH-160-15	1.6	3520	15	13-3/16	1	7.1	10-3/8	75	7/8	25	
215020	JLH-160-20	1.6	3520	20	13-3/16	1	7.1	10-3/8	75	7/8	28-1/2	
1.6-TON WITH SHIP YARD HOOKS												
235010	JLH-160-10SH	1.6	3520	10	13-3/16	1	7.1	10-3/8	75	7/8	21-1/4	
235015	JLH-160-15SH	1.6	3520	15	13-3/16	1	7.1	10-3/8	75	7/8	25	
235020	JLH-160-20SH	1.6	3520	20	13-3/16	1	7.1	10-3/8	75	7/8	29	
1.6-TON WITH OVERLOAD PROTECTION*												
315010	JLH-160WVO-10	1.6	3520	10	13-3/16	1	7.1	10-3/8	75	7/8	21-1/4	
315015	JLH-160WVO-15	1.6	3520	15	13-3/16	1	7.1	10-3/8	75	7/8	25	
315020	JLH-160WVO-20	1.6	3520	20	13-3/16	1	7.1	10-3/8	75	7/8	28-1/2	

SPECIFICATIONS

Stock Number	Model Number	Capacity (tons)	Capacity (lbs)	Standard Lift (ft)	Headroom (in)	Number of Falls	Load Chain (dia/mm)	Lever Length (in)	Pounds of Pull To Lift Capacity	Lift Per Full Turn of Lever (in)	Weight (lbs)
1.6-TON WITH OVERLOAD PROTECTION AND SHIP YARD HOOKS*											
236010	JLH-160-10PSH	1.6	3520	10	13-3/16	1	7.1	10-3/8	75	7/8	21-1/4
236015	JLH-160-15PSH	1.6	3520	15	13-3/16	1	7.1	10-3/8	75	7/8	25
236020	JLH-160-20PSH	1.6	3520	20	13-3/16	1	7.1	10-3/8	75	7/8	28-1/2
2.5-TON*											
225005	JLH-250-5	2-1/2	5500	5	14-3/4	1	8.8	10-3/8	82	5/8	25
225010	JLH-250-10	2-1/2	5500	10	14-3/4	1	8.8	10-3/8	82	5/8	30-1/4
225015	JLH-250-15	2-1/2	5500	15	14-3/4	1	8.8	10-3/8	82	5/8	36
225020	JLH-250-20	2-1/2	5500	20	14-3/4	1	8.8	10-3/8	82	5/8	41-1/2
2.5-TON WITH OVERLOAD PROTECTION*											
325010	JLH-250WO-10	2-1/2	5500	10	14-3/4	1	8.8	10-3/8	82	5/8	30-1/4
325015	JLH-250WO-15	2-1/2	5500	15	14-3/4	1	8.8	10-3/8	82	5/8	36
325020	JLH-250WO-20	2-1/2	5500	20	14-3/4	1	8.8	10-3/8	82	5/8	41-1/2
3.2-TON*											
230005	JLH-320-5	3.2	7040	5	15-9/16	1	10	16-5/16	82	3/4	30
230010	JLH-320-10	3.2	7040	10	15-9/16	1	10	16-5/16	82	3/4	37-1/2
230015	JLH-320-15	3.2	7040	15	15-9/16	1	10	16-5/16	82	3/4	45
230020	JLH-320-20	3.2	7040	20	15-9/16	1	10	16-5/16	82	3/4	53
3.2-TON WITH SHIP YARD HOOKS											
240010	JLH-320-10SH	3.2	7040	10	15-9/16	1	10	16-5/16	82	3/4	37-1/2
240015	JLH-320-15SH	3.2	7040	15	15-9/16	1	10	16-5/16	82	3/4	45-1/4
240020	JLH-320-12SH	3.2	7040	20	15-9/16	1	10	16-5/16	82	3/4	53
3.2-TON WITH OVERLOAD PROTECTION*											
330100	JLH-320WO-10	3.2	7040	10	15-9/16	1	10	16-5/16	82	3/4	68
330150	JLH-320WO-15	3.2	7040	15	15-9/16	1	10	16-5/16	82	3/4	45-1/4
330200	JLH-320WO-20	3.2	7040	20	15-9/16	1	10	16-5/16	82	3/4	53
3.2-TON WITH OVERLOAD PROTECTION AND SHIP YARD HOOKS*											
332010	JLH-320-10PSH	3.2	7040	10	15.5	1	10	16-5/16	82	3/4	37-1/2
332015	JLH-320-15PSH	3.2	7040	15	15.5	1	10	16-5/16	82	3/4	45
332020	JLH-320-20PSH	3.2	7040	20	15.5	1	10	16-5/16	82	3/4	53
6.3-TON*											
260005	JLH-630-5	6.3	13860	5	21-1/4	2	10	16-5/16	84	3/8	57-1/4
260010	JLH-630-10	6.3	13860	10	21-1/4	2	10	16-5/16	84	3/8	72
260015	JLH-630-15	6.3	13860	15	21-1/4	2	10	16-5/16	84	3/8	88
260020	JLH-630-20	6.3	13860	20	21-1/4	2	10	16-5/16	84	3/8	103
6.3-TON WITH OVERLOAD PROTECTION*											
360010	JLH-630WO-10	6.3	13860	10	21-1/4	2	10	16-5/16	84	3/8	72
360015	JLH-630WO-15	6.3	13860	15	21-1/4	2	10	16-5/16	84	3/8	87-1/2
360020	JLH-630WO-20	6.3	13860	20	21-1/4	2	10	16-5/16	84	3/8	103
9-TON*											
460005	JLH-900-5	9	19800	5	26-3/4	3	10	16.4	88	1/4	88
290010	JLH-900-10	9	19800	10	26-3/4	3	10	16.4	88	1/4	112
290115	JLH-900-15	9	19800	15	26-3/4	3	10	16.4	88	1/4	135
290020	JLH-900-20	9	19800	20	26-3/4	3	10	16.4	88	1/4	159
9-TON WITH OVERLOAD PROTECTION*											
460010	JLH-900WO-10	9	19800	10	26-3/4	3	10	16.4	88	1/4	88
460015	JLH-900WO-15	9	19800	15	26-3/4	3	10	16.4	88	1/4	112
460020	JLH-900WO-20	9	19800	20	26-3/4	3	10	16.4	88	1/4	135

*Custom lifts available in all capacities in 5 ft increments

NEW SIZE

WARNING

- Always provide an adequate safety factor to handle rated load plus weight of equipment
- Do not use for lifting, supporting, transporting people, or lifting or supporting loads of people
- Before installation read and understand owners manual
- Not for use in an explosive environment

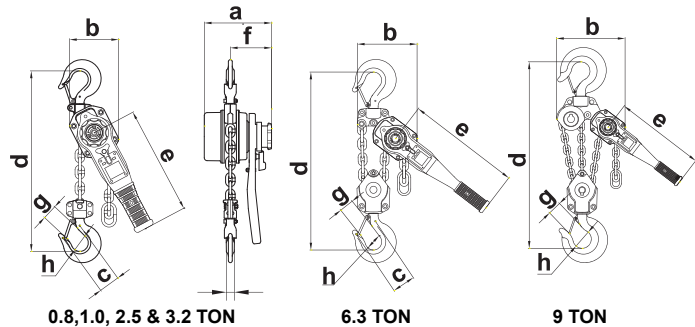


FEATURES

- All steel construction with a durable powder coat finish
- High strength to weight ratio
- Completely enclosed Weston type automatic brake system holds load in any position
- Easy-to-use with single hand operation and control
- Simple design makes routine inspection and maintenance easy
- Optional point hooks make this tool indispensable in shipbuilding and fabricating applications
- Freewheeling feature without load for quick load attachment
- Models with slip clutch style overload protection available
- Hardened grade 80 low wear chain
- Drop forged hooks with heavy-duty safety latches swivel 360° for easy rigging
- Proof tested with test certificate
- Complies with OSHA, ANSI/ASME B30.21 and HST-3 standards

DIMENSIONS

Model	A	B	C	D	E	F	G	H
1/4 Ton	9-1/8	3-1/2	2-3/4	13/16	2-3/4	3	6-1/4	7/8
1/2 Ton	12	4-5/16	4-13/16	1-3/16	3-1/8	4-3/4	11-1/4	1-1/8
3/4 Ton	12-7/16	5-3/4	4-15/16	2-3/8	3-7/16	6	11-1/4	1-3/16
1-1/2 Ton	14-5/16	7	5-3/4	2-7/8	4-1/8	6-5/8	16-3/8	1-3/8
3 Ton	19-5/16	8	7-9/16	3-5/8	4-5/16	8-3/8	16-3/8	1-3/4
6 Ton	24-7/16	8	9-1/4	3-5/8	4-5/16	8-3/8	16-3/8	2



⚠ WARNING

- Always provide an adequate safety factor to handle rated load plus weight of equipment
- Do not use for lifting, supporting, transporting people, or lifting or supporting loads of people
- Before installation read and understand owners manual
- Not for use in an explosive environment





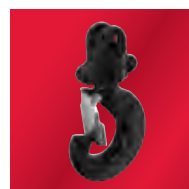
SPECIFICATIONS

Stock Number	Model Number	Capacity (tons)	Capacity (lbs)	Standard Lift (ft)	Headroom (in)	Number of Falls	Load Chain (dia/mm)	Lever Length (in)	Pounds of Pull To Lift Capacity	Lift Per Full Turn of Lever (in)	Weight (lbs)
1/4-TON*											
187730	JLP-25-5	1/4	550	5	9-1/8	1	4	6-1/4	57	2-3/4	5
1/2-TON*											
187705	JLP-50-5	1/2	1100	5	12	1	5	11-1/4	79	3-1/2	11
187706	JLP-50-10	1/2	1100	10	12	1	5	11-1/4	79	3-1/2	13
3/4-TON*											
187707	JLP-75-5	3/4	1650	5	12-7/16	1	6	11-1/4	32	3/4	15
187708	JLP-75-10	3/4	1650	10	12-7/16	1	6	11-1/4	32	3/4	18
187709	JLP-75-15	3/4	1650	15	12-7/16	1	6	11-1/4	32	3/4	20-1/2
187710	JLP-75-20	3/4	1650	20	12-7/16	1	6	11-1/4	32	3/4	23
3/4-TON WITH OVERLOAD PROTECTION*											
187206	JLP-75WO-5	3/4	1650	5	12-7/16	1	6	11-1/4	32	3/4	16
287808	JLP74WO-10	3/4	1650	10	12-7/16	1	6	11-1/4	32	3/4	18-1/2
187208	JLP-75WO-15	3/4	1650	15	12-7/16	1	6	11-1/4	32	3/4	21
1-1/2-TON*											
187711	JLP-150-5	1-1/2	3300	5	14-5/16	1	8	16-3/8	42	7/8	24
187712	JLP-150-10	1-1/2	3300	10	14-5/16	1	8	16-3/8	42	7/8	29
187713	JLP-150-15	1-1/2	3300	15	14-5/16	1	8	16-3/8	42	7/8	33-1/2
187714	JLP-150-20	1-1/2	3300	20	14-5/16	1	8	16-3/8	42	7/8	38
1-1/2-TON WITH OVERLOAD PROTECTION*											
187215	JLP-150WO-5	1-1/2	3300	5	14-5/16	1	8	16-3/8	42	7/8	25
287812	JLP150WO-10	1-1/2	3300	10	14-5/16	1	8	16-3/8	42	7/8	30
187217	JLP-150WO-15	1-1/2	3300	15	14-5/16	1	8	16-3/8	42	7/8	34
1-1/2-TON WITH SHIP YARD HOOKS*											
287722	JLP-150-10SH	1-1/2	3300	10	14-5/16	1	8	16-3/8	42	7/8	29
287723	JLP-150-15SH	1-1/2	3300	15	14-5/16	1	8	16-3/8	42	7/8	33-1/2
287724	JLP-150-20SH	1-1/2	3300	20	14-5/16	1	8	16-3/8	42	7/8	38
1-1/2-TON WITH OVERLOAD PROTECTION AND SHIP YARD HOOKS*											
287822	JLP-150-10SHO	1-1/2	3300	10	14-5/16	1	8	16-3/8	42	7/8	29
287823	JLP-150-15SHO	1-1/2	3300	15	14-5/16	1	8	16-3/8	42	7/8	33-1/2
287824	JLP-150-20SHO	1-1/2	3300	20	14-5/16	1	8	16-3/8	42	7/8	38
3-TON*											
187715	JLP-300-5	3	6600	5	19-5/16	1	10	16-3/8	72	5/8	44
187716	JLP-300-10	3	6600	10	19-5/16	1	10	16-3/8	72	5/8	51
187717	JLP-300-15	3	6600	15	19-5/16	1	10	16-3/8	72	5/8	59
187718	JLP-300-20	3	6600	20	19-5/16	1	10	16-3/8	72	5/8	66
3-TON WITH OVERLOAD PROTECTION*											
187230	JLP-300WO-5	3	6600	5	19-5/16	1	10	16-3/8	72	5/8	45
287816	JLP-300WO-10	3	6600	10	19-5/16	1	10	16-3/8	72	5/8	52
187232	JLP-300WO-15	3	6600	15	19-5/16	1	10	16-3/8	72	5/8	60
3-TON WITH SHIP YARD HOOKS*											
287726	JLP-300-10SH	3	6600	10	19-5/16	1	10	16-3/8	72	5/8	51
287727	JLP-300-15SH	3	6600	15	19-5/16	1	10	16-3/8	72	5/8	59
287728	JLP-300-20SH	3	6600	20	19-5/16	1	10	16-3/8	72	5/8	66
3-TON WITH OVERLOAD PROTECTION AND SHIP YARD HOOKS*											
287826	JLP-300-10SHO	3	6600	10	19-5/16	1	10	16-3/8	72	5/8	51
287827	JLP-300-15SHO	3	6600	15	19-5/16	1	10	16-3/8	72	5/8	58
287828	JLP-300-20SHO	3	6600	20	19-5/16	1	10	16-3/8	72	5/8	66
6-TON*											
187719	JLP-600-5	6	13,200	5	24-7/16	2	10	16-3/8	76	5/8	65
187720	JLP-600-20	6	13,200	20	24-7/16	2	10	16-3/8	76	5/8	110

*Custom lifts available in all capacities in 5 ft increments

ACCESSORIES - SHIP YARD HOOKS

Stock No.	Model	Description	Net Weight
187227	JTP150-TPH	Top Point Hook for JLP-150 Only	2
187228	JTP150-BPH	Bottom Point Hook for JLP-150 Only	2
187237	JTP300-TPH	Top Point Hook for JLP-300 Only	4
187238	JTP300-BPH	Bottom Point Hook for JLP-300 Only	4



187227



187228

L-100 SERIES HAND CHAIN HOISTS



JET®

THE LAST MANUAL CHAIN HOIST YOU WILL EVER NEED...

Jet L-100 Series Manual Chain Hoists Combine A True Rugged Industrial Design With Highly Refined Quality.

- The drop forged, carbon steel hooks are quenched and tempered to increase strength and will slowly stretch to indicate an overload situation.
- Cast steel safety latches, attached with Allen head screws and lock nuts, outclass the industry standard of stamped safety latches.
- The induction hardened, 100 grade load chain provides 20% more strength than the common 80 grade load chain found on inferior hoists.
- The double enclosed brake cover keeps dirt and debris away from the brake mechanism. While the sealed ball bearing supported load sheave provides efficient and smooth operation.
- The investment cast anchor plate, and all other internal parts are fully heat treated and quenched for added strength and reliability.
- All the internal parts are Zinc coated for additional corrosion protection.
- The triple spur gear drive train features alloy steel gears that have been heated treated, quenched and then case hardened for a life time of service.
- The patented fused brake disc design means little to no maintenance is required to keep these hoists operational.
- Each hoist comes with a completed test certificate from the factory.
- All L-100 hoists comply with ANSI/ASME B30.16 and HST-2 standards.



LIFETIME

BRAKE WARRANTY

FEATURES

- Full range of capacities from 1/4 Ton to 20 Ton units stocked
- Case Hardened and quenched drive shaft features a phosphate finish that provides a minimum of 35 hours of salt spray protection and is supported by bearings on both ends of the hoist
- Electrostatic Powder coat finish - ensures all surfaces are covered same thickness
- Double sealed ball bearing supported load sheave offers less rolling resistance under load which means less wear on critical parts
- Slip clutch overload protection available on every size
- Key internal components coated with Dacromet - provides 500 hrs of salt spray protection
- Each unit is tested at factory to 150% of rated capacity prior to shipment and is supplied with a unique, traceable serial number
- Easy to replace cast (not stamped steel) safety latches and hooks - Knowing that these are some of the most commonly replaced items, we've made it easy to replace with minimal down time
- 5 year warranty

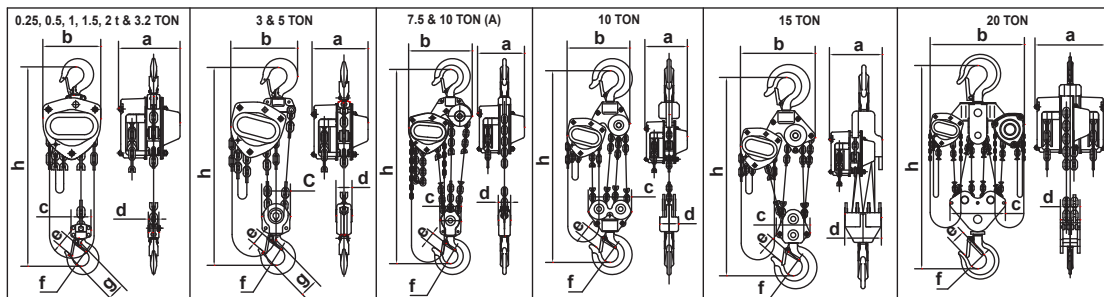


A. Optional Overload Protection	D. Cast Safety Latches
B. 100 Grade Chain	E. Fused Brake Discs
C. Hook Swivels 360°	F. Caged Needle Bearing Supported Drive Pinion



DIMENSIONS

Model	A	B	C	D	E	F	G	H
1/4	3-3/4	4-5/16	1-3/16	13/16	1-1/16	1-1/4	1-3/8	9-13/16
1/2	5-1/8	5-1/2	1-11/16	1	1-1/16	1-1/4	1-3/8	11-1/4
1	6-3/8	6-5/16	2	1-3/16	1-5/16	1-9/16	1-3/4	11-5/8
1-1/2	6-11/16	7-3/16	2-1/2	1-5/16	1-5/16	1-5/8	1-7/8	13-3/4
2	7-1/4	8	2-1/2	1-5/16	1-7/16	1-13/16	2-1/16	14-3/4
3	6-11/16	9-1/4	4-3/16	2-1/16	1-11/16	2-1/16	2-7/16	20-1/16
5	7-9/16	11-1/8	5-1/4	2-1/2	2	2-3/8	3-1/8	23-5/8
10	7-9/16	14-3/16	10-3/8	3-3/4	2-1/2	3-3/8	-	29-15/16
15	7-7/8	19-3/8	4-5/16	6-1/8	3-1/8	3-15/16	-	33-7/8
20	9-1/16	25-13/16	11-1/4	4-13/16	3-1/4	4-5/16	-	34-1/4



L-100 SERIES HAND CHAIN HOISTS

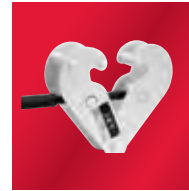


ACCESSORIES

Manual Trolleys	See page 16
Beam Clamps	See page 17



See page 16



See page 17

SPECIFICATIONS

Stock Number	Model Number	Capacity (tons)	Capacity (lbs)	Standard Lift (ft)	Headroom (in)	Number of Falls	Load Chain (dia/mm)	Required Hand Chain (ft) to Lift Capacity	Pounds Of Pull To Lift Capacity	Weight (lbs)
1/4-TON*										
100210	L100-250-10	1/4	550	10	9-13/16	1	4	1/2	42	10
100215	L100-250-15	1/4	550	15	9-13/16	1	4	1/2	42	12
100220	L100-250-20	1/4	550	20	9-13/16	1	4	1/2	42	14
100230	L100-250-30	1/4	550	30	9-13/16	1	4	1/2	42	16
1/4-TON* WITH OVERLOAD PROTECTION										
101200	L100-250WO-10	1/4	550	10	9-13/16	1	4	1/2	42	10
101225	L100-250WO-15	1/4	550	15	9-13/16	1	4	1/2	42	12
101250	L100-250WO-20	1/4	550	20	9-13/16	1	4	1/2	42	14
101223	L100-250WO-30	1/4	550	30	9-13/16	1	4	1/2	42	16
1/2-TON*										
106210	L100-50-10	1/2	1100	10	11-1/4	1	5	25	53	24
105215	L100-50-15	1/2	1100	15	11-1/4	1	5	25	53	28-1/2
106220	L100-50-20	1/2	1100	20	11-1/4	1	5	25	53	34
105230	L100-50-30	1/2	1100	30	11-1/4	1	5	25	53	43-1/2
1/2-TON WITH OVERLOAD PROTECTION*										
104100	L100-50WO-10	1/2	1100	10	11-1/4	1	5	25	53	24
205120	L100-50WO-20	1/2	1100	20	11-1/4	1	5	25	53	28-1/2
205130	L100-50WO-30	1/2	1100	30	11-1/4	1	5	25	53	43-1/2
1-TON*										
101210	L100-100-10	1	2200	10	11-5/8	1	6.3	43	64	27
101215	L100-100-15	1	2200	15	11-5/8	1	6.3	43	64	33-1/4
104220	L100-100-20	1	2200	20	11-5/8	1	6.3	43	64	39-1/4
101230	L100-100-30	1	2200	30	11-5/8	1	6.3	43	64	51
1-TON WITH OVERLOAD PROTECTION*										
102100	L100-100WO-10	1	2200	10	11-5/8	1	6.3	43	64	27
203120	L100-100WO-20	1	2200	20	11-5/8	1	6.3	43	64	39-1/4
203130	L100-100WO-30	1	2200	30	11-5/8	1	6.3	43	64	51
1-1/2-TON*										
101610	L100-150-10	1-1/2	3300	10	13-3/4	1	7.1	57	77	34-1/4
101615	L100-150-15	1-1/2	3300	15	13-3/4	1	7.1	57	77	41
101620	L100-150-20	1-1/2	3300	20	13-3/4	1	7.1	57	77	48
101630	L100-150-30	1-1/2	3300	30	13-3/4	1	7.1	57	77	62
1-1/2-TON WITH OVERLOAD PROTECTION*										
101100	L100-150WO-10	1-1/2	3300	10	13-3/4	1	7.1	57	77	34-1/4
201120	L100-150WO-20	1-1/2	3300	20	13-3/4	1	7.1	57	77	48
201130	L100-150WO-30	1-1/2	3300	30	13-3/4	1	7.1	57	77	62
2-TON*										
102210	L100-200-10	2	4400	10	14-3/4	1	8	70	79	44
102215	L100-200-15	2	4400	15	14-3/4	1	8	70	79	52
102220	L100-200-20	2	4400	20	14-3/4	1	8	70	79	59
102230	L100-200-30	2	4400	30	14-3/4	1	8	70	79	74-1/2
2-TON WITH OVERLOAD PROTECTION*										
105100	L100-200WO-10	2	4400	10	14-3/4	1	8	70	79	44
206121	L100-200WO-20	2	4400	20	14-3/4	1	8	70	79	59
206130	L100-200WO-30	2	4400	30	14-3/4	1	8	70	79	74-1/2

SPECIFICATIONS

Stock Number	Model Number	Capacity (tons)	Capacity (lbs)	Standard Lift (ft)	Headroom (in)	Number of Falls	Load Chain (dia/mm)	Required Hand Chain (ft) to Lift Capacity	Pounds Of Pull To Lift Capacity	Weight (lbs)
3-TON*										
103210	L100-300-10	3	6600	10	20-1/8	2	7.1	114	79	53
103215	L100-300-15	3	6600	15	20-1/8	2	7.1	114	79	63-1/2
103220	L100-300-20	3	6600	20	20-1/8	2	7.1	114	79	74
103230	L100-300-30	3	6600	30	20-1/8	2	7.1	114	79	95-1/4
3-TON WITH OVERLOAD PROTECTION*										
106100	L100-300WO-10	3	6600	10	20-1/8	2	7.1	114	79	53
207120	L100-300WO-20	3	6600	20	20-1/8	2	7.1	114	79	74
207130	L100-300WO-30	3	6600	30	20-1/8	2	7.1	114	79	95-1/4
5-TON*										
105510	L100-500-10	5	11,000	10	23-5/8	2	9	198	75	90
105515	L100-500-15	5	11,000	15	23-5/8	2	9	198	75	105
105520	L100-500-20	5	11,000	20	23-5/8	2	9	198	75	119-1/2
105530	L100-500-30	5	11,000	30	23-5/8	2	9	198	75	149
5-TON WITH OVERLOAD PROTECTION*										
107100	L100-500WO-10	5	11,000	10	23-5/8	2	9	198	75	90
208120	L100-500WO-20	5	11,000	20	23-5/8	2	9	198	75	119-1/2
208130	L100-500WO-30	5	11,000	30	23-5/8	2	9	198	75	149
10-TON*										
101010	L100-1000-10	10	22,000	10	29-7/8	4	9	396	79	174
101020	L100-1000-20	10	22,000	20	29-7/8	4	9	396	79	227
101030	L100-1000-30	10	22,000	30	29-7/8	4	9	396	79	279
10-TON WITH OVERLOAD PROTECTION*										
108100	L100-1000WO-10	10	22,000	10	29-7/8	4	9	396	79	174
209120	L100-1000WO-20	10	22,000	20	29-7/8	4	9	396	79	227
209130	L100-1000WO-30	10	22,000	30	29-7/8	4	9	396	79	279
15-TON*										
101111	L100-1500-10	15	33000	10	34-1/3	8	9	396 x 2	80 x 2	381
101115	L100-1500-15	15	33000	15	34-1/3	8	9	396 x 2	80 x 2	400
101110	L100-1500-20	15	33000	20	34-1/3	8	9	396 x 2	80 x 2	425
101130	L100-1500-30	15	33000	30	34-1/3	8	9	396 x 2	80 x 2	450
15-TON WITH OVERLOAD PROTECTION*										
109110	L100-1500WO-10	15	33000	10	34-1/3	8	9	396 x 2	80 x 2	381
109115	L100-1500WO-15	15	33000	15	34-1/3	8	9	396 x 2	80 x 2	400
109120	L100-1500WO-20	15	33000	20	34-1/3	8	9	396 x 2	80 x 2	425
109130	L100-1500WO-30	15	33000	30	34-1/3	8	9	396 x 2	80 x 2	450
20-TON*										
102011	L100-2000-10	20	44000	10	34-1/3	8	9	396 x 2	80 x 2	381
102015	L100-2000-15	20	44000	15	34-1/3	8	9	396 x 2	80 x 2	400
102010	L100-2000-20	20	44000	20	34-1/3	8	9	396 x 2	80 x 2	425
102030	L100-2000-30	20	44000	30	34-1/3	8	9	396 x 2	80 x 2	450
20-TON WITH OVERLOAD PROTECTION*										
102020	L100-2000WO-10	20	44000	10	34-1/3	8	9	396 x 2	80 x 2	381
108015	L100-2000WO-15	20	44000	15	34-1/3	8	9	396 x 2	80 x 2	400
102000	L100-2000WO-20	20	44000	20	34-1/3	8	9	396 x 2	80 x 2	425
108030	L100-2000WO-30	20	44000	30	34-1/3	8	9	396 x 2	80 x 2	450

* Custom lifts available in all capacities in 5 ft increments

NEW SIZE

⚠ WARNING

- Always provide an adequate safety factor to handle rated load plus weight of equipment
- Do not use for lifting, supporting, transporting people, or lifting or supporting loads of people
- Before installation read and understand owners manual
- Not for use in an explosive environment

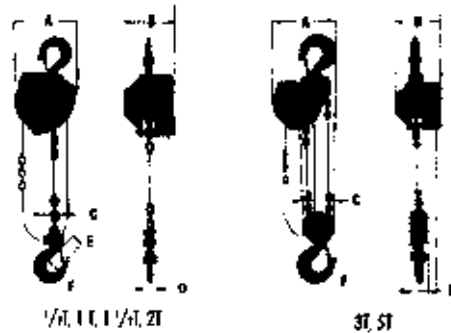


FEATURES

- Full range capacity 1/2 to 10 tons
- Economical hand chain hoist designed for years of trouble-free service
- Standard features found only in higher priced models
- 10', 15', 20' and 30' lifts standard, custom length lifts available
- All steel construction with a durable powder coat finish
- Lightweight, compact design for low headroom applications
- Available with slip clutch style overload protection
- Needle bearing supported load sheave for smooth operation
- Completely enclosed Weston type automatic brake system for precise load spotting
- Triple-spur gears provide high efficiency ratio with minimum effort
- Induction hardened grade 80 load chain
- Drop forged hooks with heavy-duty safety latches swivel 360° for easy rigging
- Smooth rolled edge on hand chain cover prevents side pull jamming
- Standard hand chain drop equals lift length
- Proof tested with test certificate
- Complies with OSHA, ANSI/ASME B30.16 and HST-2 standards

DIMENSIONS

Model	A	B	C	D	E	F
1/2 Ton	5-1/2	4-1/2	2	1-1/4	7/8	1-3/8
1 Ton	6-5/8	5-3/16	2-1/8	1-1/4	1-1/8	1-9/16
1-1/2 Ton	7-3/4	5-3/4	2-1/2	1-3/8	1-1/4	1-3/4
2 Ton	8-7/8	5-3/4	2-5/8	1-5/8	1-3/8	2
3 Ton	8-1/2	6	3-5/8	2-3/4	1-3/4	2-1/4
5 Ton	9-1/2	7	4-1/2	3	2	2-5/8
10 Ton	17-1/2	7	12-1/4	4	3	3-1/2



WARNING

- Always provide an adequate safety factor to handle rated load plus weight of equipment
- Do not use for lifting, supporting, transporting people, or lifting or supporting loads of people
- Before installation read and understand owners manual
- Not for use in an explosive environment



SPECIFICATIONS

Stock Number	Model Number	Capacity (tons)	Capacity (lbs)	Standard Lift (ft)	Headroom (in)	Number of Falls	Load Chain (dia/mm)	Required Hand Chain (ft) to Lift Capacity	Pounds Of Pull To Lift Capacity	Weight (lbs)
1/2-TON*										
101700	SMH-1/2T-10	1/2	1100	10	13	1	5	32	49	20
101701	SMH-1/2T-15	1/2	1100	15	13	1	5	32	49	24-1/4
101702	SMH-1/2T-20	1/2	1100	20	13	1	5	32	49	29-3/4
101703	SMH-1/2T-30	1/2	1100	30	13	1	5	32	49	40
1-TON*										
101704	SMH-1T-10	1	2200	10	15	1	6.3	37	80	26-1/2
101705	SMH-1T-15	1	2200	15	15	1	6.3	37	80	33
101706	SMH-1T-20	1	2200	20	15	1	6.3	37	80	38-1/2
101707	SMH-1T-30	1	2200	30	15	1	6.3	37	80	51
1-TON WITH OVERLOAD PROTECTION*										
121704	SMH-1TWO-10	1	2200	10	15	1	6.3	37	80	26
121706	SMH-1TWO-20	1	2200	20	15	1	6.3	37	80	38-1/2
1-1/2-TON*										
101708	SMH-1-1/2T-10	1-1/2	3300	10	17-1/2	1	7	58	82	40-3/4
101709	SMH-1-1/2T-15	1-1/2	3300	15	17-1/2	1	7	58	82	48-1/2
101710	SMH-1-1/2T-20	1-1/2	3300	20	17-1/2	1	7	58	82	55
101711	SMH-1-1/2T-30	1-1/2	3300	30	17-1/2	1	7	58	82	68
2-TON*										
101712	SMH-2T-10	2	4400	10	18-1/2	1	8	70	91	45
101713	SMH-2T-15	2	4400	15	18-1/2	1	8	70	91	53
101714	SMH-2T-20	2	4400	20	18-1/2	1	8	70	91	60-1/2
101715	SMH-2T-30	2	4400	30	18-1/2	1	8	70	91	76
2-TON WITH OVERLOAD PROTECTION*										
121712	SMH-2TWO-10	2	4400	10	18-1/2	1	8	70	91	45
121714	SMH-2TWO-20	2	4400	20	18-1/2	1	8	70	91	60-1/2
3-TON*										
101716	SMH-3T-10	3	6600	10	23-1/2	2	7	116	86	57
101717	SMH-3T-15	3	6600	15	23-1/2	2	7	116	86	68
101718	SMH-3T-20	3	6600	20	23-1/2	2	7	116	86	78-1/4
101719	SMH-3T-30	3	6600	30	23-1/2	2	7	116	86	99
3-TON WITH OVERLOAD PROTECTION*										
121716	SMH-3TWO-10	3	6600	10	23-1/2	2	7	116	86	57
121718	SMH-3TWO-20	3	6600	20	23-1/2	2	7	116	86	78
5-TON*										
101720	SMH-5T-10	5	11,000	10	28	2	9	172	97	84
101721	SMH-5T-15	5	11,000	15	28	2	9	172	97	99
101722	SMH-5T-20	5	11,000	20	28	2	9	172	97	115
101723	SMH-5T-30	5	11,000	30	28	2	9	172	97	145-1/2
5-TON WITH OVERLOAD PROTECTION*										
121720	SMH-5TWO-10	5	11,000	10	28	2	9	172	97	84
121726	SMH-5TWO-20	5	11,000	20	28	2	9	172	97	115
10-TON*										
101724	SMH-10T-10	10	22,000	10	35	4	9	344	104	163
101725	SMH-10T-15	10	22,000	15	35	4	9	344	104	191
101726	SMH-10T-20	10	22,000	20	35	4	9	344	104	218-1/4
101727	SMH-10T-30	10	22,000	30	35	4	9	344	104	271

* Custom lifts available in all capacities in 5ft increments

ACCESSORIES

Manual Trolleys	See page 16
Beam Clamps	See page 17



See page 16



See page 17

HDT SERIES HEAVY-DUTY & PT SERIES INDUSTRIAL-DUTY PLAIN TROLLEYS



PLAIN TROLLEYS



262005



252005



HDT SERIES HEAVY-DUTY PLAIN TROLLEY FEATURES

- 1/2-ton through 5-ton capacities
- Multiple spacer washers make beam flange wide adjustment quick and easy
- Hardened wheels with lubricated for life, double sealed ball bearings
- For use with wide-flange H-beams, standard I beams or curved track
- Proof tested with test certificate
- Complies with OSHA, ANSI/ASME B30.11 and B30.17 standards

SPECIFICATIONS

Stock Number	Model	Capacity (ton)	Capacity (lbs)	Beam Flange Width (in)	Beam Height (in)	Minimum Radius Curve (in)	Weight (lbs)
262005	1/2-HDT	1/2	1100	2-1/2 - 8	3 - 24-1/2	35	11
262010	1-HDT	1	2200	3 - 8	5 - 24-1/2	39	17
262020	2-HDT	2	4400	3-1/4 - 8	6 - 24-1/2	43	31
262030	3-HDT	3	6600	4 - 8	8 - 24-1/2	51	51
262050	5-HDT	5	11,000	4-5/8 - 8	10 - 24-1/2	55	87

DIMENSIONS

Model	A	B	C	D	E	F	G	H	I	J
1/2 Ton	7-3/8	5-7/8	5-7/8	4-5/8	2-1/16	3-9/16	2-1/2-8	4	1-1/4	15/16
1 Ton	8-3/8	6-1/4	6-1/4	5-1/8	2-1/2	3-15/16	3 - 8	4-11/16	1-11/16	1-3/16
2 Ton	10-3/16	6-1/2	6-1/2	6-5/16	3-1/16	4-13/16	3-1/4-8	5-3/8	2	1-1/2
3 Ton	12-3/8	6-7/8	6-7/8	7-7/16	3-15/16	5-15/16	4 - 8	6-7/16	2-9/16	1-3/4
5 Ton	14-9/16	7-3/8	7-3/8	8-9/16	4-3/4	6-7/8	4-5/8-8	7-11/16	3-3/8	2-1/2

PT SERIES INDUSTRIAL-DUTY PLAIN TROLLEY FEATURES

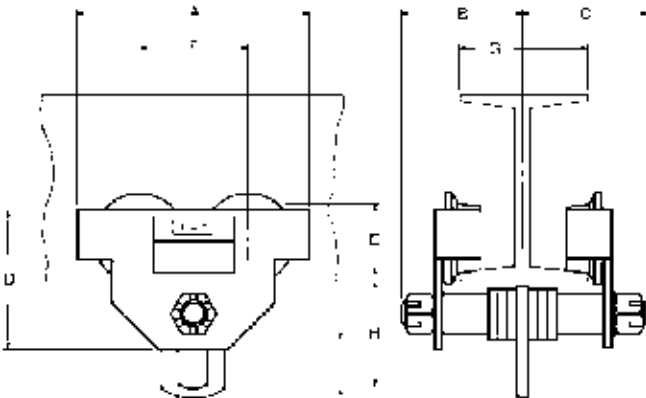
- Designed for low maintenance and trouble free operation through a wide range of beams
- 1/2 ton to 10 ton capacities
- For use with wide flange H-beams, standard I-beams, or curved track
- Multiple spacer washers make beam flange width adjustment quick and easy
- Rugged steel side plates feature built in bumper guards
- Hardened wheels with lubricated for life, double sealed ball bearings
- Proof tested with test certificate
- Complies with OSHA, ANSI/ASME B30.11 and B30.17 standards

SPECIFICATIONS

Stock Number	Model	Capacity (ton)	Capacity (lbs)	Beam Flange Width (in)	Beam Height (in)	Minimum Radius Curve (in)	Weight (lbs)
252005	1/2-PT	1/2	1100	2-1/2 - 8	4 - 19	39	18
252010	1-PT	1	2200	3 - 8	4 - 19	39	32
252015	1-1/2-PT	1-1/2	3300	3-1/4 - 8	4 - 19	43	39
252020	2-PT	2	4400	3-1/4 - 8	4 - 19	43	50
252030	3-PT	3	6600	4 - 8	5 - 19	51	85
252050	5-PT	5	11,000	4-5/8 - 8	5 - 19	55	125
252060	10-PT	10	22,000	4-3/4 - 8	5 - 19	67	208

DIMENSIONS

Model	A	B	C	D	E	F	G	H	I	J
1/2 Ton	8-3/8	6-3/16	6-3/16	5-1/8	2-5/16	4	2-1/2-8	4	1-9/16	15/16
1 Ton	9-15/16	6-1/2	6-1/2	6-1/8	2-15/16	4-5/8	3 - 8	4-1/2	1-15/16	1-3/16
1-1/2 Ton	10-7/8	6-5/8	6-5/8	6-3/8	3-3/8	4-7/8	3-1/4 - 8	5-1/8	2-1/2	1-5/16
2 Ton	11-7/8	6-7/8	6-7/8	6-11/16	3-9/16	5-3/8	3-1/4 - 8	5-1/4	2-9/16	1-7/16
3 Ton	13-5/8	7-5/16	7-5/16	8-9/16	4-5/16	6-3/16	4 - 8	6-5/8	3	1-3/4
5 Ton	15-1/16	7-7/8	7-7/8	10-1/16	4-13/16	6-3/4	4-5/8-8	7-7/8	3-13/16	2-3/8
10 Ton	17-15/16	8-1/2	8-1/2	11-5/8	5-15/16	7-7/8	4-3/4-8	10-1/8	5	3-1/4





HBC HEAVY-DUTY AND JBC SERIES INDUSTRIAL-DUTY BEAM CLAMPS

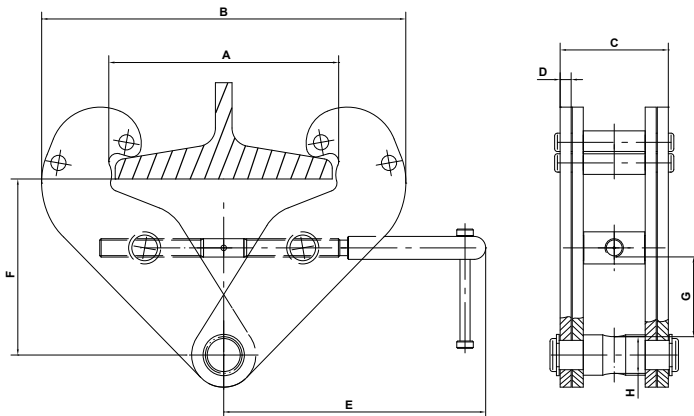
- For construction, commercial vertical or horizontal rigging operations
- 1-ton to 5-ton capacities
- Mount hoists or lift beams with portable lightweight clamp
- Adjusts with ease to fit a broad range of wide-flange H or standard I-beams
- Clamp jaw designed to distribute the load away from beam flange edge
- Low headroom with built-in suspension rod
- Proof tested with test certificate
- Complies with ANSI/ASME B30.17 and B30.20 standards

HBC SPECIFICATIONS

Stock Number	Model Number	Capacity (lbs)	Beam Flange width (in)	Max A	Min B	Max B	C	D	E	Max F	Min F	Min G	H	Ship weight
202710	HBC-1	2200	2-15/16 - 8-11/16	10-1/4	7-11/16	14-9/16	2-1/2	3/16	9-1/16	5-3/8	3-1/2	1-3/16	7/8	10
202720	HBC-2	4400	2-15/16 - 8-11/16	10-1/4	7-11/16	14-9/16	2-15/16	1/4	9-1/16	5-3/8	3-1/2	1-3/16	7/8	11
202730	HBC-3	6600	3-1/8 - 12-5/8	15-3/16	9-1/16	20-1/16	4-1/16	5/16	10-7/8	8-1/4	4-7/8	1-9/16	15/16	21
202750	HBC-5	11000	3-9/16 - 12-5/8	15-3/16	9-1/16	20-1/16	4-5/16	3/8	10-7/8	8-1/4	4-7/8	1-9/16	1-1/8	24

JBC SPECIFICATIONS

252710	JBC-1	2200	2-31/32 - 8-5/8	9-15/16	7-1/16	14-3/16	2-3/4	3/16	9-5/16	5-5/16"	3-9/16	1-3/16"	13/16"	12
252720	JBC-2	4400	2-31/32 - 8-5/8	9-5/8	7-1/16	14-3/16	2-7/8	1/4	9-5/16	5-5/16"	3-9/16	1-3/16"	13/16"	14
252730	JBC-3	6600	3-15/16 - 9-5/8	11-5/8	9-7/16"	17-3/8	4-5/8	5/16	10-1/4	6-11/16"	4-5/16	2-3/16	1	27
252750	JBC-5	11000	4-15/16 - 10-5/8	11-7/32	9-5/8"	19-1/16	5-1/2	3/8	10-1/4"	6-15/16"	4-15/16"	2-1/16	1-1/8	34





Shown with optional 4-button controller

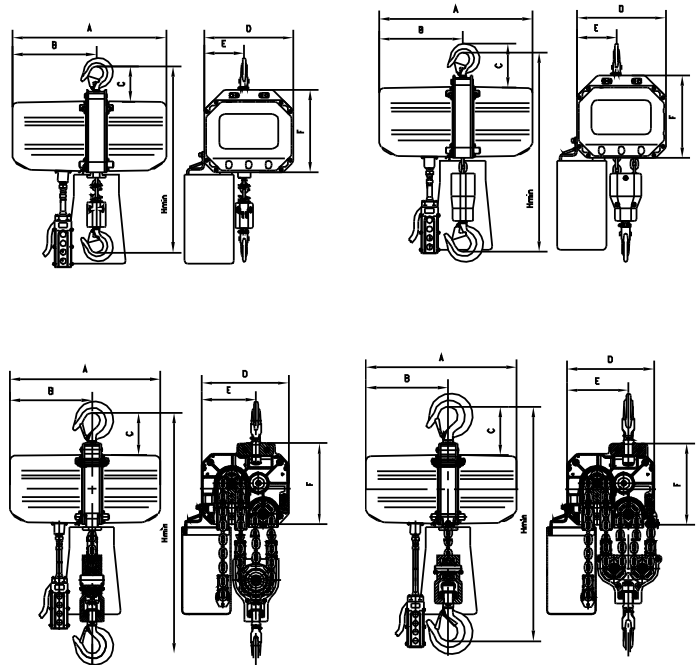
Shown with optional electric trolley (see page 20)

FEATURES

- Designed for Commercial and industrial applications
- 1/2 ton to 5 ton capacities, single or three phase models
- Totally enclosed steel plate construction with a durable powder coat finish
- All models standard with slip clutch style overload protection
- Heavy duty ventilated motor with thermal overload protection
- 1 phase models feature thermal overload protection
- 3 phase models feature reverse phase protection
- All models come equipped with chain container
- Reliable DC electro-magnetic brake holds the load even if power is interrupted
- Quick connect wiring for power and push button controls
- Upper and lower limit switches prevent over travel
- Durable 24v push button control station with cable strain relief
- Complies with OSHA, ANSI/ASME B30.16 and HST-1 standards
- Proof tested with test certificate

DIMENSIONS

Model	A	B	C	D	E	F	H min
1/2SS	17-11/16	9-13/16	4-1/8	10-1/4	4-7/16	9-7/16	20-3/16
1SS	17-11/16	9-13/16	4-3/8	10-1/4	4-7/16	9-7/16	24-7/16
2SS	20-7/16	11-3/16	5-3/16	11-13/16	6-3/8	10-15/16	28-1/8
3SS	20-7/16	11-3/16	5-11/16	11-13/16	7-3/8	10-15/16	24-7/16
5SS	20-7/16	11-3/16	6-9/16	11-13/16	8-1/4	10-15/16	30-11/16



WARNING

- Always provide an adequate safety factor to handle rated load plus weight of equipment
- Do not use for lifting, supporting, transporting people, or lifting or supporting loads of people
- Before installation read and understand owners manual
- Not for use in an explosive environment

SPECIFICATIONS

Stock Number	Model Number	Standard Lift (ft)	Headroom (in)	Push Button Control cord Length (ft)	Duty Cycle	Duty Cycle Rating (H3, H4 etc)	Lifting Speed (fpm)	Motor Output (HP)	Rated Amps		Load Chain Diameter (mm)	Number of Falls	Net Weight (lbs)
									115V	230V			
1/2 TON SINGLE SPEED 1 PHASE*													
121100	1/2SS-1C-10	10	20 3/16	8	25%	H3	19.7	7/8	12.6	6	6.3	1	101 1/2
121150	1/2SS-1C-15	15	20 3/16	13	25%	H3	19.7	7/8	12.6	6	6.3	1	106
121200	1/2SS-1C-20	20	20 3/16	18	25%	H3	19.7	7/8	12.6	6	6.3	1	108
1 TON SINGLE SPEED 1 PHASE*													
111000	1SS-1C-10	10	24 7/16	8	25%	H3	19.7	1-3/4	20.8	10	8	1	161
111500	1SS-1C-15	15	24 7/16	13	25%	H3	19.7	1-3/4	20.8	10	8	1	165 1/2
112000	1SS-1C-20	20	24 7/16	18	25%	H3	19.7	1-3/4	20.8	10	8	1	172
2 TON SINGLE SPEED 1 PHASE*													
211000	2SS-1C-10	10	28 1/8	8	25%	H3	9.8	1-3/4	20.8	10	8	2	167 1/2
211500	2SS-1C-15	15	28 1/8	13	25%	H3	9.8	1-3/4	20.8	10	8	2	178 1/2
212000	2SS-1C-20	20	28 1/8	18	25%	H3	9.8	1-3/4	20.8	10	8	2	187 1/2
3 TON SINGLE SPEED 1 PHASE*													
311000	3SS-1C-10	10	31 1/2	8	25%	H3	6.6	1-3/4	20.8	10	8	3	198 1/2
311500	3SS-1C-15	15	31 1/2	13	25%	H3	6.6	1-3/4	20.8	10	8	3	214
312000	3SS-1C-20	20	31 1/2	18	25%	H3	6.6	1-3/4	20.8	10	8	3	227
5 TON													
511000	5SS-1C-10	10	30 11/16	8	25%	H3	4.9	1-3/4	22	10.5	8	4	218
511500	5SS-1C-15	15	30 11/16	13	25%	H3	4.9	1-3/4	22	10.5	8	4	238
1/2 TON SINGLE SPEED 3 PHASE*													
										230V	460V		
123100	1/2SS-3C-10	10	20-3/16	8	30%	H3	31.5	1-1/5	3.5	1.8	8	1	92 1/2
123150	1/2SS-3C-15	15	20-3/17	13	30%	H3	31.5	1-1/5	3.5	1.8	8	1	97
123200	1/2SS-3C-20	20	20-3/18	18	30%	H3	31.5	1-1/5	3.5	1.8	8	1	99
1 TON SINGLE SPEED 3 PHASE*													
131000	1SS-3C-10	10	24 7/16	8	30%	H3	24.8	2-1/7	5.9	3	8	1	150
131500	1SS-3C-15	15	24 7/16	13	30%	H3	24.8	2-1/7	5.9	3	8	1	154 1/2
132000	1SS-3C-20	20	24 7/16	18	30%	H3	24.8	2-1/7	5.9	3	8	1	161
2 TON													
231000	2SS-3C-10	10	28 1/8	8	30%	H3	12.4	2-1/7	5.9	3	8	2	156 1/2
231500	2SS-3C-15	15	28 1/8	13	30%	H3	12.4	2-1/7	5.9	3	8	2	167 1/2
232000	2SS-3C-20	20	28 1/8	18	30%	H3	12.4	2-1/7	5.9	3	8	2	176 1/2
3 TON SINGLE SPEED 3 PHASE*													
331000	3SS-3C-10	10	31 1/2	8	30%	H3	8.3	2-1/7	5.9	3	8	3	187 1/2
331500	3SS-3C-15	15	31 1/2	13	30%	H3	8.3	2-1/7	5.9	3	8	3	203
332000	3SS-3C-20	20	31 1/2	18	30%	H3	8.3	2-1/7	5.9	3	8	3	216
5 TON SINGLE SPEED 3 PHASE*													
531000	5SS-3C-10	10	30 11/16	8	30%	H3	6.2	2-1/7	5.9	3	8	4	207
531500	5SS-3C-15	15	30 11/16	13	30%	H3	6.2	2-1/7	5.9	3	8	4	227
530200	5SS-3C-20	20	30 11/16	13	30%	H3	6.2	2-1/7	5.9	3	8	4	247

*Custom lifts available in all capacities in 5 ft increments

TOTAL POSSIBLE LIFT BY MODEL

JET Model	3m (10ft)	4m (13ft)	6m (20ft)	8m (26ft)	9m (30ft)	10m (33ft)	11m (36ft)	12m (40ft)	13m (43ft)	14m (46ft)	15m (49ft)	16m (53ft)	19m (63ft)
1/2SS-1C 1/2SS-3C	X	X	X	X	X	X	X	X	X	X	X	X	X
1SS-1C 1SS-3C	X	X	X	X	X	X	X	X	X	X	X	X	X
2SS-1C 2SS-3C	X	X	X	X	X	X	X	X	X	X	X	X	-
3SS-1C 3SS-3C	X	X	X	X	X	X	-	-	-	-	-	-	-
3SS-1C 3SS-3C	X	X	X	X	-	-	-	-	-	-	-	-	-



Shown with optional 4-button controller



FEATURES

- Designed to give you single-control convenience
- Available in both 115v/230v 1 phase and 230v/460v 3 phase
- Solenoid-operated traveling brake
- Adjustable to fit various I-beams and wide flange beams
- Must be fitted with a JET 4 button, 24v control
- Durable powder coat finish
- Electric trolley not supplied with 4 push button control
- Power cable supplied by end user. Not for use in explosive environment

SPECIFICATIONS

Stock Number	Model Number	Capacity (lb)	Beam Flange Width (in)	Travel Speed (fpm)	Hook Mount Head Room	Motor	Duty Cycle Rating	Min Curve (in)	Weight (lbs)
1 PHASE TROLLEYS									
272705	1/2ET-1C	1100	3 - 5	39-1/3	6-7/8	1/2HP, 1PH, 115/230V	25%	43-5/16	93
272710	1ET-1C	2200	3 - 5	39-1/3	6-7/8	1/2HP, 1PH, 115/230V	25%	43-5/16	93
272720	2ET-1C	4400	4 - 6	39-1/3	8	1/2HP, 1PH, 115/230V	25%	59	122
272730	3ET-1C	6600	4 - 6	39-1/3	9	1HP, 1PH, 115/230V	25%	59	161
272750	5ET-1C	11000	5 - 7	39-1/3	11-3/16	1HP, 1PH, 115/230V	25%	78-3/4	218
3 PHASE TROLLEYS									
262605	1/2ET-3C	1100	3 - 5	39-1/3	6-7/8	1/2HP, 3PH, 230/460V	25%	43-5/16	88
262610	1ET-3C	2200	3 - 5	39-1/3	6-7/8	1/2HP, 3PH, 230/460V	25%	43-5/16	88
262620	2ET-3C	4400	4 - 6	39-1/3	8	1/2HP, 3PH, 230/460V	25%	59	116.6
262630	3ET-3C	6600	4 - 6	39-1/3	9	1HP, 3PH, 230/460V	25%	59	156.2
262650	5ET-3C	11000	5 - 7	39-1/3	11-3/16	1HP, 3PH, 230/460V	25%	78-3/4	213.4

ACCESSORIES

Push Button Controls	See page 21
----------------------	-------------



See page 21

⚠ WARNING

- Always provide an adequate safety factor to handle rated load plus weight of equipment
- Do not use for lifting, supporting, transporting people, or lifting or supporting loads of people
- Before installation read and understand owners manual
- Not for use in an explosive environment

PUSH BUTTON CONTROLS FEATURES

- Purchased separately, the control cables feature 2, 4 or 6 push button stations
- Correct cable length is determined by the hoist lifting height
- Electric trolleys and control cables feature quick connect plug-in connection assemblies
- 24V wiring in the control unit
- Can be easily installed and retrofitted in the field without the aid of an electrician or additional equipment
- For ET-C Series electric trolleys

PUSH BUTTON CONTROLS SPECIFICATIONS

Stock Number	Model	Description	Hoist Type
SINGLE SPEED HOISTS			
152410	PBC-410C	4 Button control pendant for 10' lift hoist and trolley	SS
152415	PBC-415C	4 Button control pendant for 15' lift hoist and trolley	SS
152420	PBC-420C	4 Button control pendant for 20' lift hoist and trolley	SS
152610	PBC-610C	6 Button control pendant for 10' lift hoist and trolley	SS
152615	PBC-615C	6 Button control pendant for 15' lift hoist and trolley	SS
152620	PBC-620C	6 Button control pendant for 20' lift hoist and trolley	SS



LIFTING ACCESSORIES

JCP SERIES CABLE, JCH LINESMAN AND JG GRIP PULLERS



PULLERS



JCP SERIES CABLE PULLERS FEATURES

- General purpose cable puller designed to lift, lower, stretch or pull heavy loads
- 1 ton to 4 ton capacities
- Lightweight zinc plated steel construction to resist corrosion
- Double solid cast aluminum ratchet wheel brake system hold load securely in any position
- Concealed spring lever control prevents accidental release
- Drop forged hooks with safety latches standard
- Aircraft quality 3/16" cable
- Snatch block included with JCP-2 and JCP-4 models
- Complies with ANSI/ASME B30.21 standards

JCP SERIES CABLE PULLERS SPECIFICATIONS

Stock Number	Model	Capacity (ton)	Lever Ratio	Maximum Lift (ft)	Lever Length (in)	Minimum Distance Between Hooks (in)	Weight (lbs)
180410	JCP-1	1	18:1	12	16-1/2	17	9
180420	JCP-2	2	36:1	5	16-1/2	21	10
180440	JCP-4	4	36:1	5	17-1/8	22	15

JCH LINESMAN PULLERS FEATURES

- Heavy Duty cable puller designed to lift, lower, stretch, or pull heavy loads
- 1.5 and 2 ton capacities available
- Drop forged hooks with safety latches standard
- Complies with ANSI/ASME B30.21 standard

JCH LINESMAN PULLERS SPECIFICATIONS

Stock Number	Model	Lever Ratio	Handle Length (in)	Cable Length (ft)	Cable Diameter (in)	Weight (lbs)
181330	JCH-3	9.47:1	25-3/16	30	1/4	14.7
181420	JCH-4	11.79:1	29-15/16	20	1/4	15.9

SINGLE LINE SPECIFICATIONS

Stock Number	Capacity (lbs)	Handle Pull For Full Load (lbs)	Lifting Distance (ft)	Minimum Distance Between Hooks (in)
181330	1500	119	30	21
181420	2000	114-1/2	20	22-1/2

DOUBLE LINE SPECIFICATIONS

181330	3000	120	15	28
181420	4000	116	10	30

JG GRIP PULLERS FEATURES

- Industrial quality grip puller designed to lift, lower or pull heavy loads
- 3/4 ton to 3 ton capacities
- Easy to use in any direction, angle or length of pull or lift
- Multiple clutch brake system holds load in any position
- Safety shear pin in telescopic handle provides automatic overload protection
- Heavy duty safety hooks with spring loaded latches
- Available with or without 66 ft of wire rope
- Complies with ANSI/ASME B30.21
- Wire Rope

JG GRIP PULLERS SPECIFICATIONS

Stock Number	Model	Pulling Capacity (lbs)	Lifting Capacity (lbs)	Handle Length (in)	Distance Per Stroke (in)	Wire Rope (dia/in)	Lifting Speed (fpm)	Weight (lbs)
286575K	JG-75A	2750	1650	29-1/2	2-9/32	5/16	10	36
286515K	JG-150A	5500	3300	41	2-3/8	7/16	10	48
286530K	JG300K	11,000	6600	46-1/2	1-1/2	5/8	10	123

WIRE ROPE SPECIFICATIONS

Stock Number	Model	Diameter (in)	Weight (lbs)
286574	WR-75A	5/16	15
286514	WR-150A	7/16	28
286529	WR-300A	5/8	41





WARRANTY AND SERVICE



Walter Meier (Manufacturing) Inc., warrants every product it sells. If one of our tools needs service or repair, one of our Authorized Service Centers located throughout the United States can give you quick service. In most cases, any of these Walter Meier Authorized Service Centers can authorize warranty repair, assist you in obtaining parts, or perform routine maintenance and major repair on your JET® tools. For the name of an Authorized Service Center in your area call 1-800-274-6848.

MORE INFORMATION

Walter Meier is consistently adding new products to the line. For complete, up-to-date product information, check with your local Walter Meier distributor, or visit jettools.com.

WARRANTY

JET products carry a limited warranty which varies in duration based upon the product.

	
Cable Pullers Hoists - Air Hoists - Electric Trolleys - Air Trolleys - Electric Web Slings	Beam Clamps Chain Hoist - Manual Lever Hoists Pullers - JCH Models Trolleys - Geared Trolleys - Plain Winches - Manual

WHAT IS COVERED?

This warranty covers any defects in workmanship or materials subject to the exceptions stated below. Abrasives and other consumables are excluded from warranty coverage.

WHO IS COVERED?

This warranty covers only the initial purchaser of the product.

WHAT IS THE PERIOD OF COVERAGE?

The general JET warranty lasts for the time period specified in the product literature of each product.

WHAT IS NOT COVERED?

This warranty does not cover defects due directly or indirectly to misuse, abuse, negligence or accidents, normal wear-and-tear, improper repair or alterations, or lack of maintenance.

HOW TO GET SERVICE

The product or part must be returned for examination, postage prepaid, to a location designated by us. For the name of the location nearest you, please call **1-800-274-6848** or visit **JETTOOLS.COM**.

You must provide proof of initial purchase date and an explanation of the complaint must accompany the merchandise. If our inspection discloses a defect, we will repair or replace the product, or refund the purchase price, at our option.

We will return the repaired product or replacement at our expense unless it is determined by us that there is no defect, or that the defect resulted from causes not within the scope of our warranty in which case we will, at your direction, dispose of or return the product. In the event you choose to have the product returned, you will be responsible for the shipping and handling costs of the return.

HOW STATE LAW APPLIES

This warranty gives you specific legal rights; you may also have other rights which vary from state to state.

LIMITATIONS ON THIS WARRANTY

WALTER MEIER LIMITS ALL IMPLIED WARRANTIES TO THE PERIOD OF THE LIMITED WARRANTY FOR EACH PRODUCT. EXCEPT AS STATED HEREIN, ANY IMPLIED WARRANTIES OR MERCHANTABILITY AND FITNESS ARE EXCLUDED. SOME STATES DO NOT ALLOW LIMITATIONS ON HOW LONG THE IMPLIED WARRANTY LASTS, SO THE ABOVE LIMITATION MAY NOT APPLY TO YOU.

WALTER MEIER SHALL IN NO EVENT BE LIABLE FOR DEATH, INJURIES TO PERSONS OR PROPERTY, OR FOR INCIDENTAL, CONTINGENT, SPECIAL, OR CONSEQUENTIAL DAMAGES ARISING FROM THE USE OF OUR PRODUCTS. SOME STATES DO NOT ALLOW THE EXCLUSION OR LIMITATION OF INCIDENTAL OR CONSEQUENTIAL DAMAGES, SO THE ABOVE LIMITATION OR EXCLUSION MAY NOT APPLY TO YOU.

Walter Meier sells through distributors only. The specifications in Walter Meier catalogs are given as general information and are not binding. Members of Walter Meier (Manufacturing) Inc., reserve the right to effect at any time, without prior notice, those alterations to parts, fittings, and accessory equipment which they may deem necessary for any reason whatsoever. **JET® branded products are not sold in Canada by Walter Meier (Manufacturing) Inc.**

