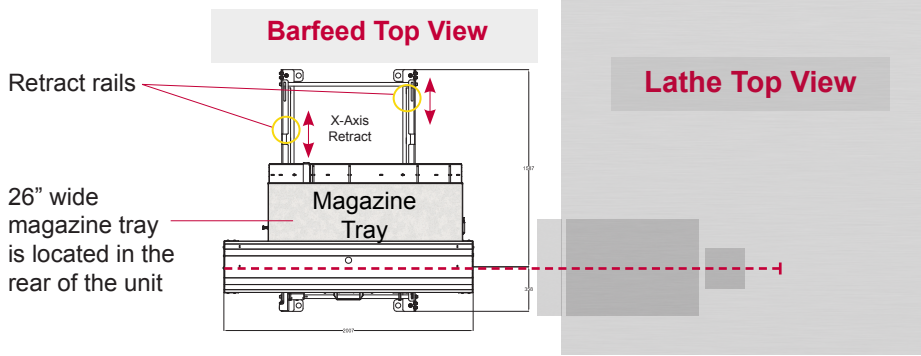


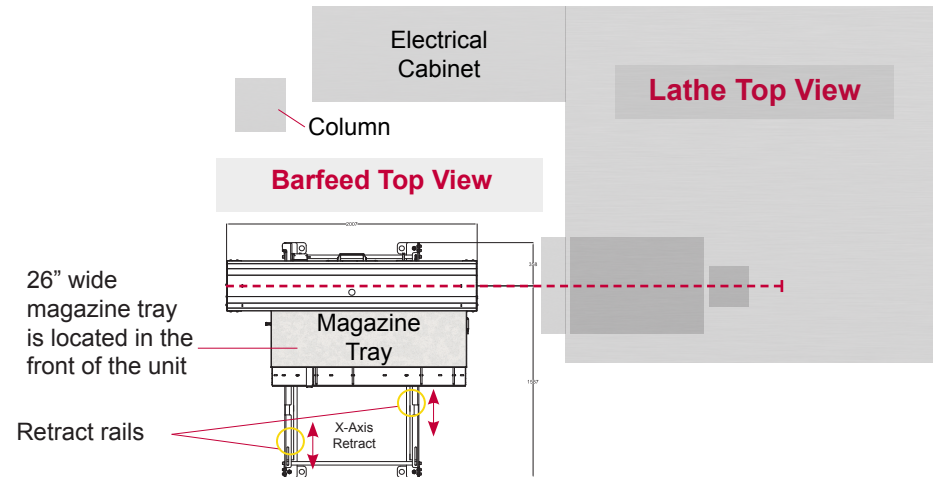
REAR LOAD vs. FRONT LOAD

Based on your application needs, LNS America offers both rear and front load short automatic barfeeds. Below illustrates front and rear load models to help you select the proper model to have your machine tool run at its peak performance. For additional assistance, please contact LNS America Inc. at 513-528-5674 or by email barfeedsales@lnsamerica.com.

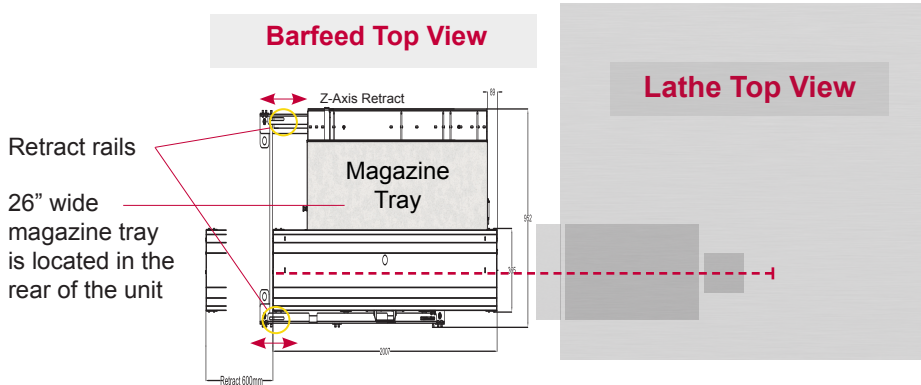
Rear Load X-Axis



Front Load X-Axis



Rear Load Z-Axis



Front Load Z-Axis

