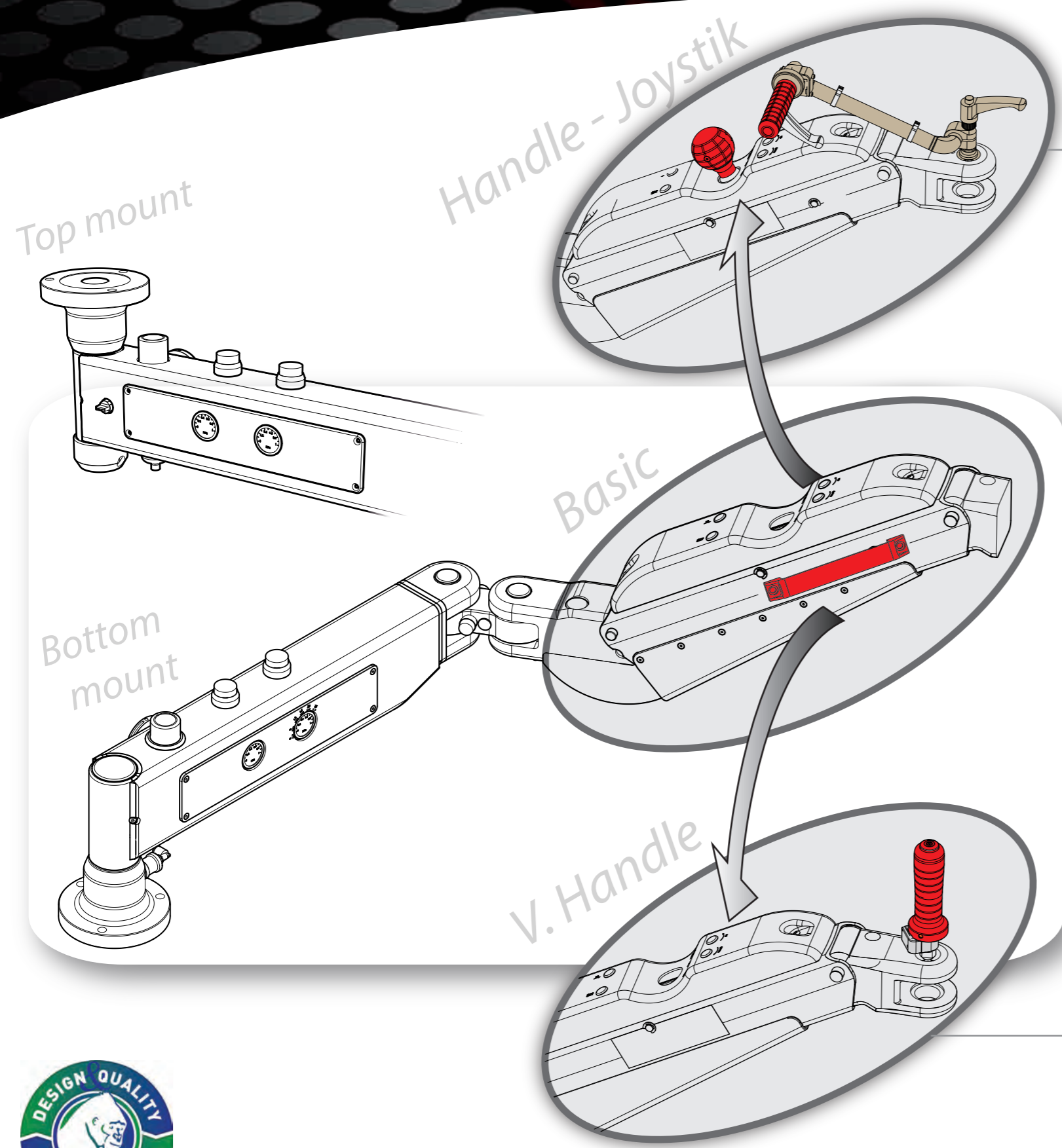
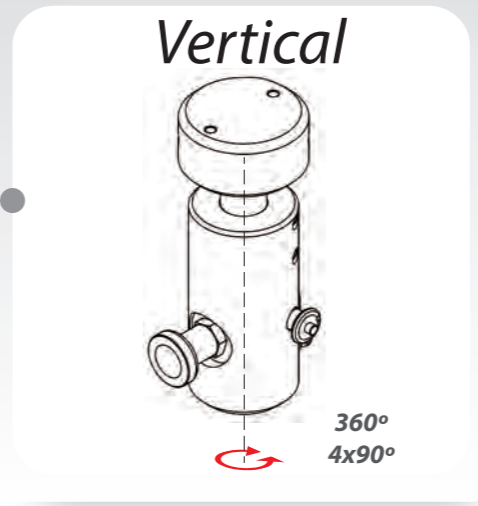
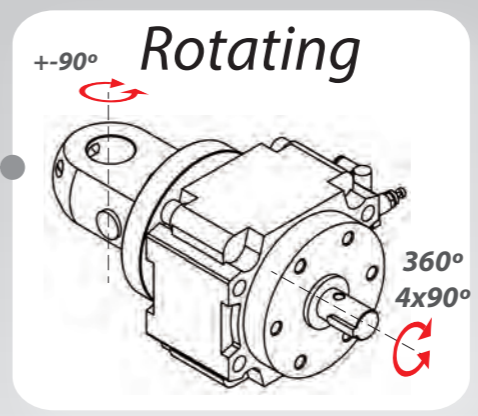
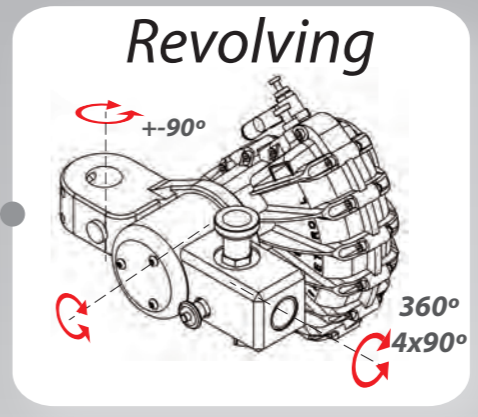
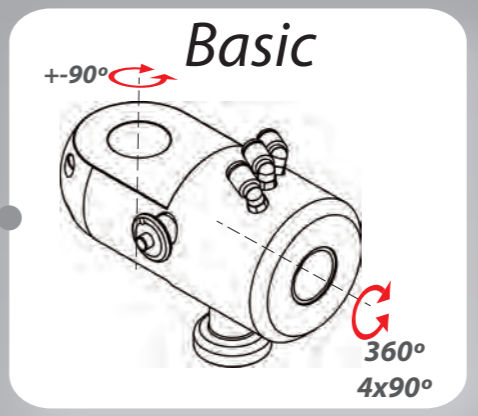


SNOWFLAKE MANIPULATOR

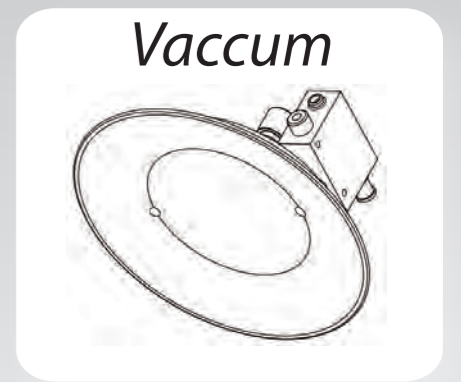
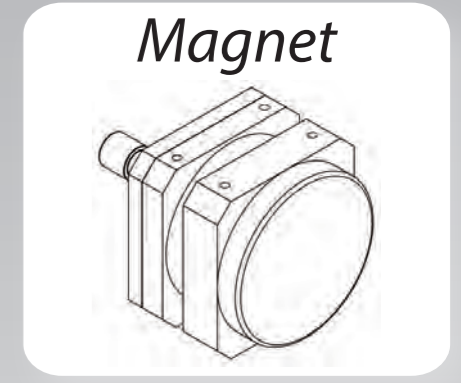
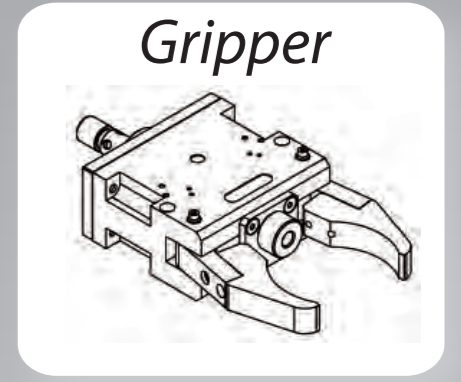
- CONFIGURATION -



Head member



Gripping systems

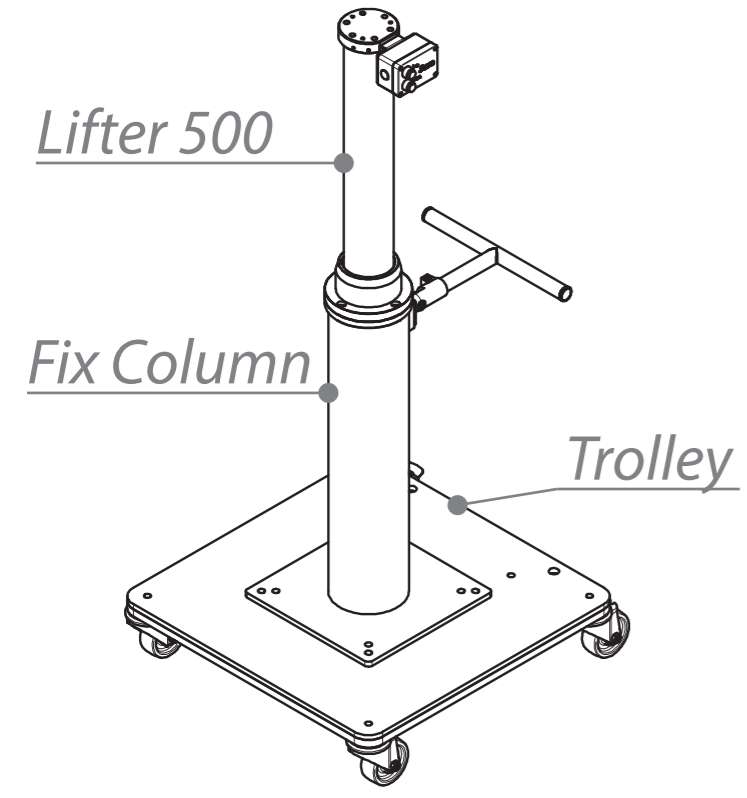


SNOWFLAKE MANIPULATOR

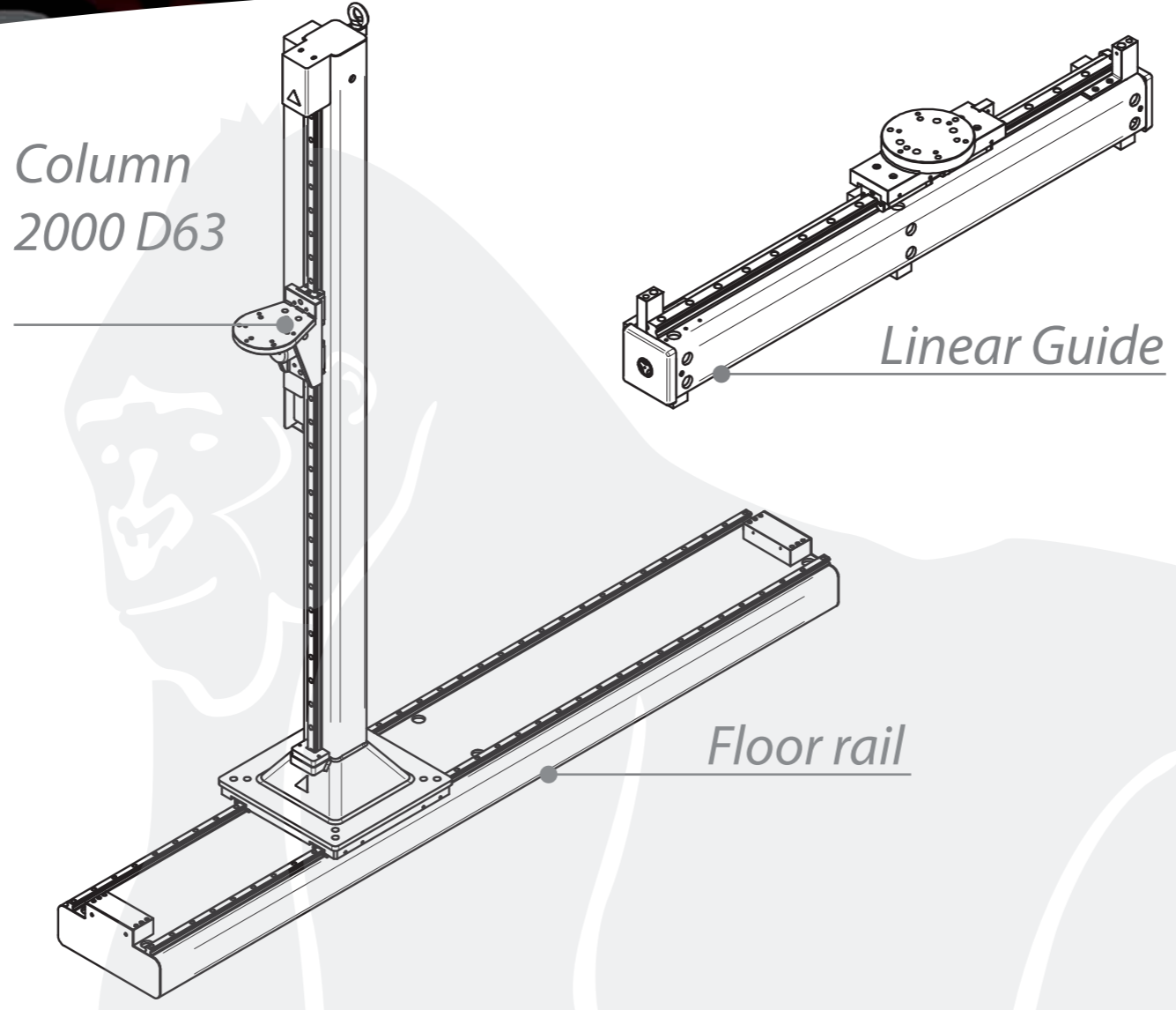
- ACCESSORIES -



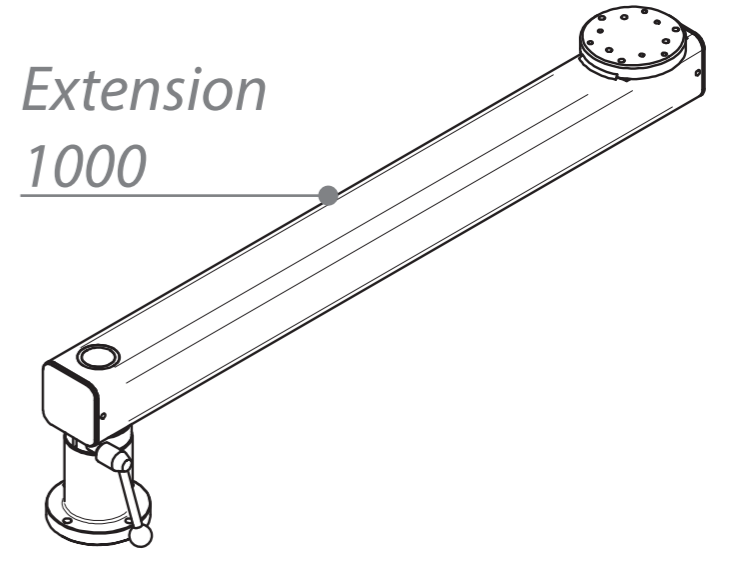
Accessories



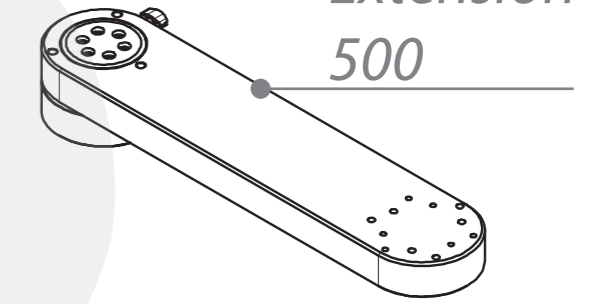
Column
2000 D63



Extension
1000



Extension
500



Matrix Accessories
(Compatibility)

	Extension 500	Extension 1000	Trolley	Fix column	Lifter 500	Column 2.000 D63	Floor rail	Linear guide
Extension 500				●	●	●	●	●
Extension 1000				●			●	
Trolley				●	●	●		
Fix column	●	●	●		●		●	
Lifter 500	●		●	●			●	
Column 2.000 D63	●		●				●	
Floor rail	●	●	●	●	●	●		
Linear guide	●							

Note:
General guideline
for Accessories
compatibility,
refer to your 3arm
dealer for special
configurations

