

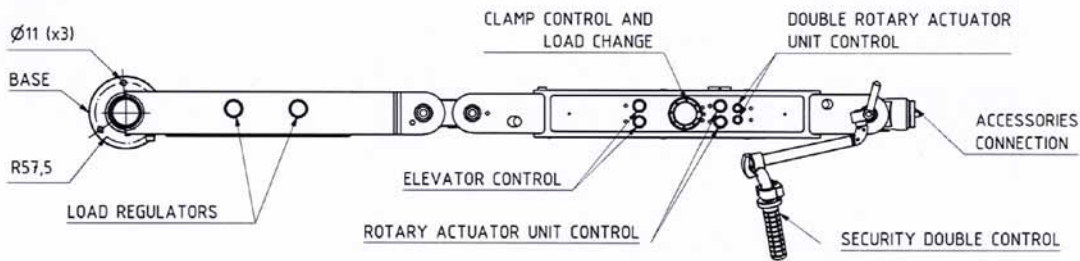
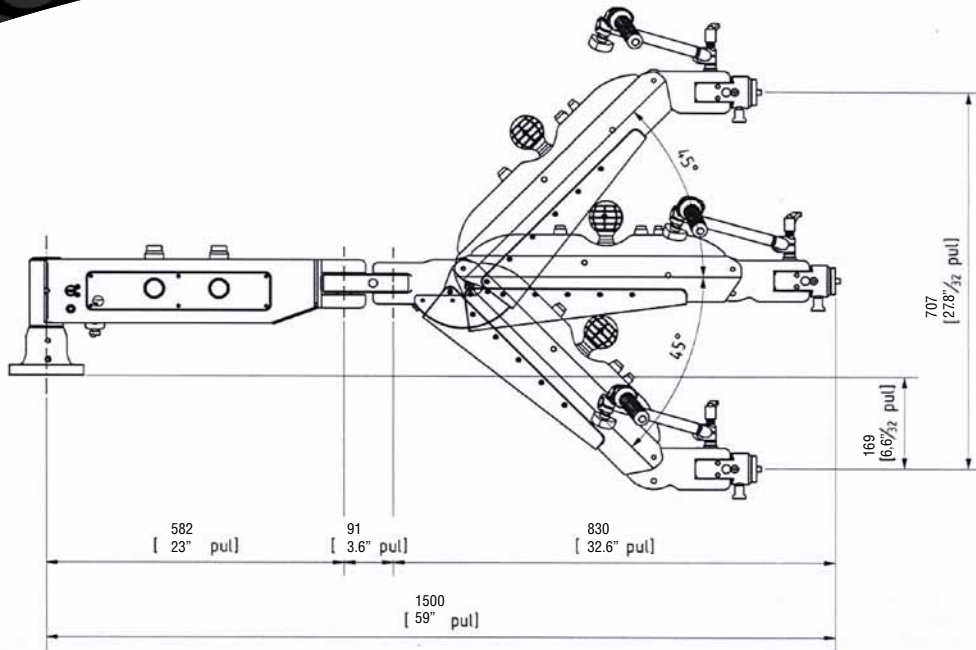
NEW



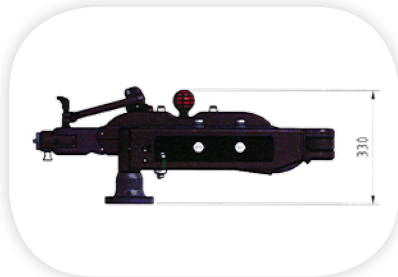
MANIPULATOR SNOWFLAKE

SNOWFLAKE Manipulator equipped with several gripping tools, is particularly suitable to manually handle, center and off-set loads in a weightless condition in any direction up to 25 kg. With this assistant the operator can work quickly and with precision in excellent ergonomic and safety conditions.





GRIPPING TOOLS (Interchangeable)



Features: Weight to handle: from 0 up to 25 kg. Radius working area 1.500 mm (+ usable), Vertical stroke 700 mm. **Pneumatic equipment:** Air Filter, 2 Precision regulator, Selector valve 2 pressures (2 loads), Security valve, Dual actuation system. **Supply:** Compressed air 7 bar. **Base accessories:** High base, Trolley and column, Tables, Lifters, Beam and Rails (top, bottom and slide wall mounted), etc. **Gripping Tools:** Rotary actuator unit, Double actuator unit, Clamp, Vacuum, Magnetic, others