

SHARPER TEK™



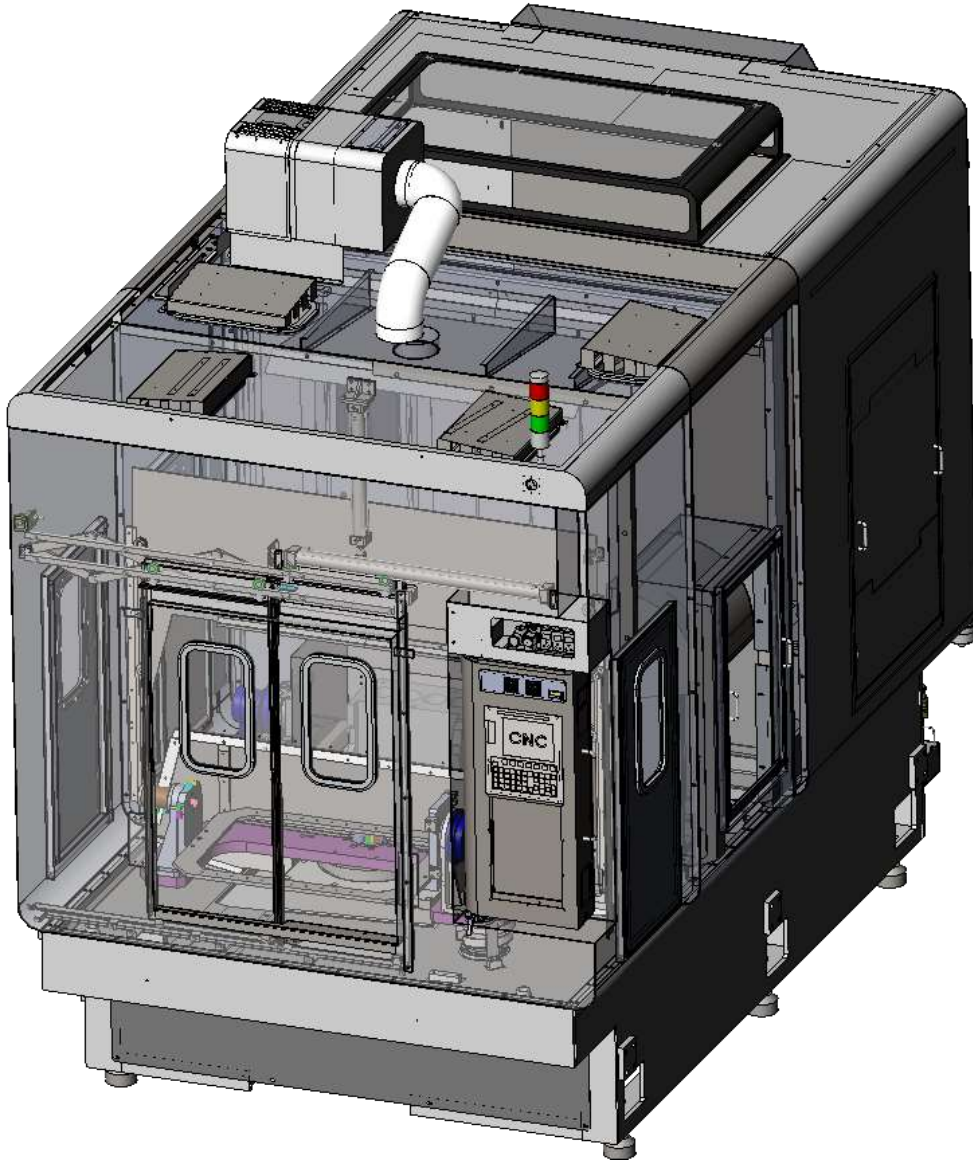
COMPLETE METALWORKING SOLUTIONS

(800) 991-4225

www.ahbinc.com

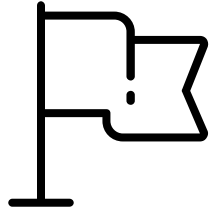
ISO Certified

customerservice@ahbinc.com



Welcome To SharperTek

A premier manufacturer of ultrasonic cleaners, ultrasonic plastic welders, and spray wash systems. Our offices are located in Pontiac Michigan, which houses our engineering and manufacturing staff. We focus on providing custom engineered turnkey systems for any cleaning process. Each system is designed to meet customer quality, timing, and cost expectations. We remain flexible to changing needs throughout the design and build process ensuring our turnkey solution is ideal for each customers unique requirements.



About us

A company overview

SharperTek
About Us

Our Forward Vision

Our new 2018 models of High Pressure Deburr machines will quickly and effortlessly remove Oils, particles, burrs, and more from even the most soiled parts. High pressure liquid penetrates deep into those hard-to-reach places for thorough effortless deburr and cleaning.



Be The Best Company

SharperTek was established in June 1998 by Gus Nasrala



Deign, Engineer, & Build

Our current operation employs over 25 Engineers & Technicians



Equipment Manufacturing

Building 1000's of machines since 2004



Custom Development

50% of sales are derived from understanding custom needs.



Standard Equipment

2017 Sales increased by 20% with an introduction of complete production lines.

OUR SERVICE

Serving countless companies and industries since 1998.



Aerospace

Nasa, United Launch,
Lockheed Martin, etc.



Pharmaceutical

Lannett, Millipore
Sigma, Covidien



Military Defense

Navy, Air Force, Marines, Army, General
Dynamics



Industrial

Siemens, 3M, Briggs and Stratton,
Wacker, Olin Chlor



Automotive

Gestamp, TI Automotive,
Magna, Yeng Feng, Ford



Medical

Hospitals, Surgery centers,
Doctors + Dental



Fixturing with
Servo Precision

Testing Lab



Automatic Tool Change

7000 PSI Pumping System



5 Axis CNC

Automatic Nozzle
Clogging Detection

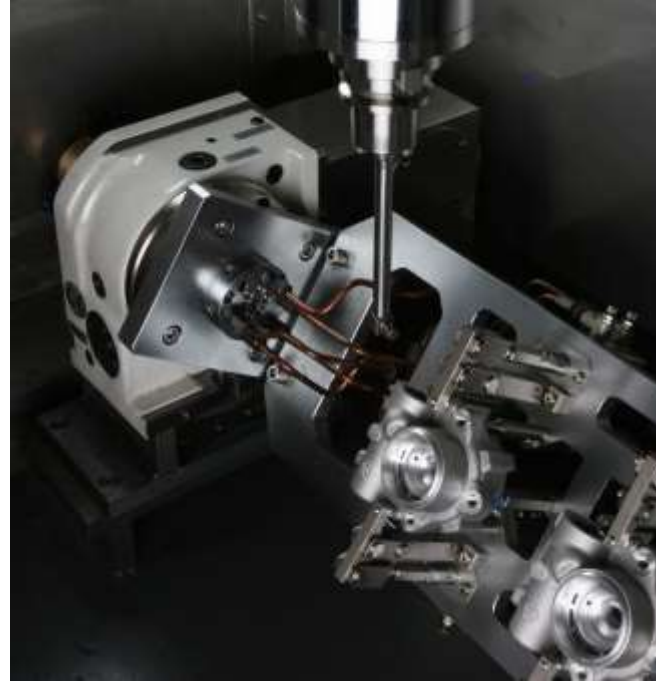


Unique and Innovative
Nozzles

Smart Pressure
Control System



Easy Maintenance



SharperTek
Deburr Equipment Capabilities

High Pressure Spray Wash



Automotive Applications



General Hydraulic

Valve bodies



Transmission Parts

Clean and Deburr a wide range of different components



Power Steering

Pump bodies



Cylinder Block

Deburr and Wash



Head Cylinder

Intricate and precise



Crank/Cam Shaft

Heavy Duty Deburr

Thank You!



**COMPLETE
METALWORKING
SOLUTIONS**

(800) 991-4225

www.ahbinc.com

ISO Certified

customerservice@ahbinc.com