

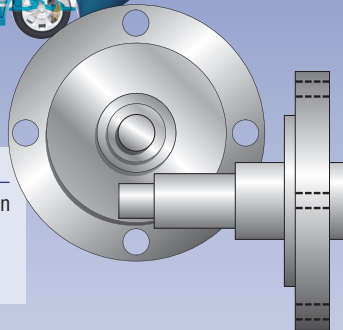


Machining Application of the Month

**“CATCH-CLIP” QUICKLY CHANGES DRILL AND TAP HEADS IN SECONDS;
INCREASES JOB VERSATILITY AND PRODUCTIVITY**

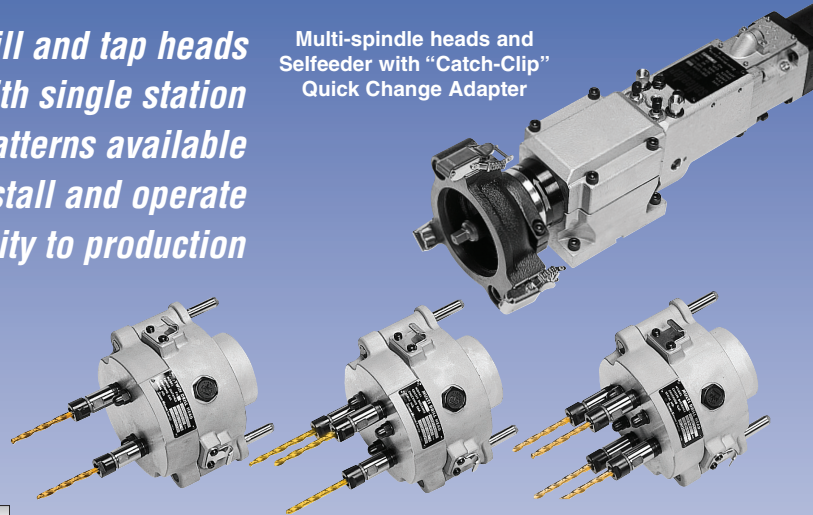
*100% gear-driven, multi-spindle drill and tap heads
Produces family of parts with single station
Many multi-head patterns available
Machinist can install and operate
Adds flexibility to production*

Multi-spindle heads and
Selffeeder with “Catch-Clip”
Quick Change Adapter



4-HOLE FLANGE HUB

2, 3 and 4-hole bolt circle pattern
0.257" drill diameter through
5/16"-18 tap through
Uses common fixture location



Sugino Corp.

Itasca, IL 60143 • (888) Sugino 1 • www.suginocorp.com