

**HIGH
TECH**

Machining Application of the Month

SOLUTION: SUGINO MULTI-SPINDLE SELFEDERS INCREASE JOB PRODUCTIVITY, EFFICIENCY AND ECONOMY

Designed for more than 175 Electric Selffeeder drill units ranging to 7 1/2 HP

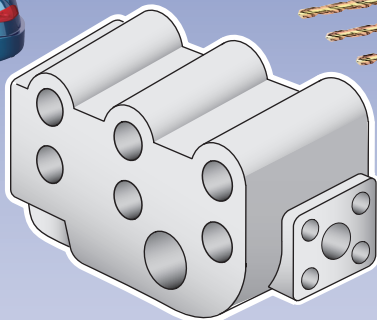
Spindle center distances down to 8mm; speeds to 9000 rpm

Protective air purge spindles; ball and needle bearing design

Guide bars hold accuracy during severe production conditions

100% gear-driven with collet, chuck and ASA spindles

Heads built to accommodate up to 64 drill bits



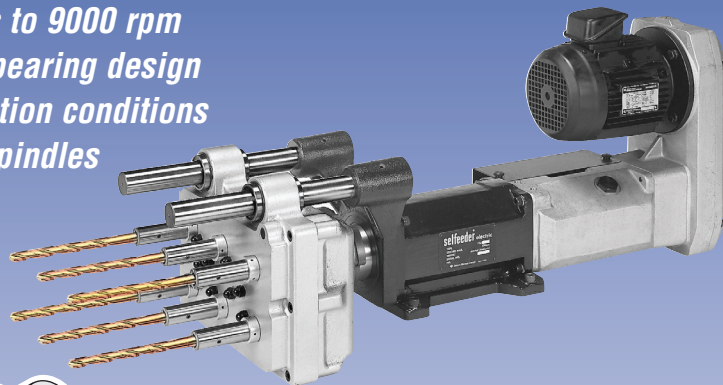
CAST IRON HYDRAULIC VALVE BODY

Drills six & four holes simultaneously

1:1.38 gear ratio delivers 1100 rpm spindle speed on six holes

1:1 @ 2000 rpm on four holes

Completes three parts per minute



Sugino Corp.

Itasca, IL 60143 • (888) Sugino 1 • www.suginocorp.com