

- Improved TECNA SMART MODE that will automatically adjust the welding parameters, weld by weld
- New powerful 8692 patented gun, capable of 15,500 amps and 1,450 force lbs.
- New motorized suspension arm
- New Bowden balancer retractor with improved smoothness
- Already predisposed for robot/cobot integration
- Supply voltage: 400V/50 Hz, 200V/50 Hz, 230V/60 Hz, 480V/60 Hz
- Main fuses: 32 A – delayed
- Welding current: 15.5 kA
- Content of the water tank: 25 l
- Total weight without accessories: 155 Kg



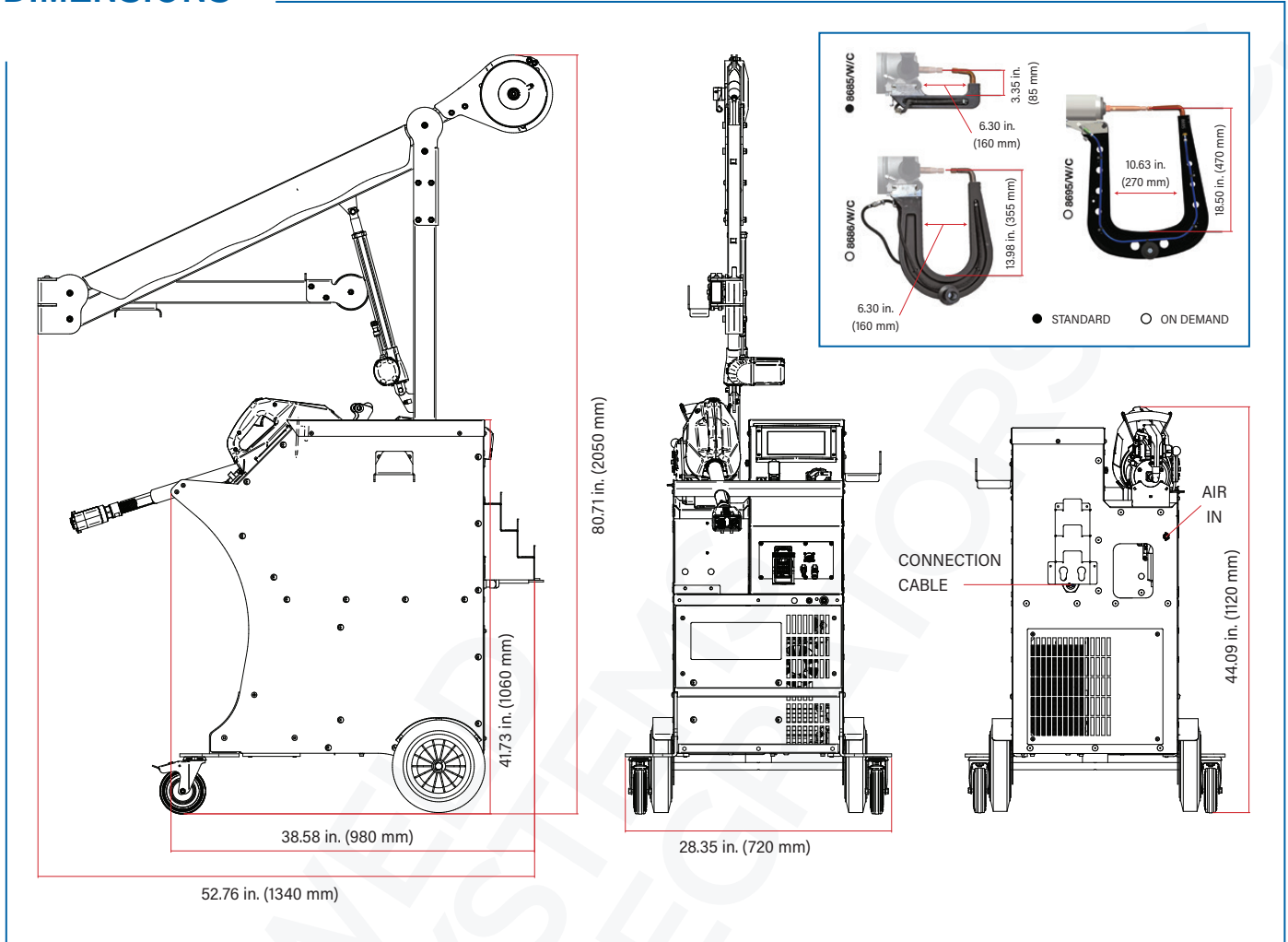
<https://tecnadirect.com/product/3680si/>

### SPECIFICATIONS

TECNA 3680Si Industrial Welding Station	
Supply voltage *	400V/50 Hz
	200V/50Hz
	230V/60 Hz
	480V/60 Hz
Main fuses	32 A - delayed
Welding current	15.5 kA
Content of the water tank	25 l
Total weight without accessories	341.72 lbs. (155 kg)
Gun type	"C" gun
Cables length	13.12 ft. (4 m)
Nominal power 50% ED	22 kVA
Maximum welding power	129 kVA
Thermal current 100%	2 kA
No load secondary voltage	7,7 V
Max. electrode force	1382.58 lbf. (615 daN) - (8 bar)
Gun weight without arms	24.25 lbs. (11 kg)



# DIMENSIONS



## Buy TECNA Resistance Welders and Tool Balancers

Monday - Friday 7:30 am - 5:00 pm EST

Customer Service: 800-991-4225

[www.ahbinc.com](http://www.ahbinc.com) · [customerservice@ahbinc.com](mailto:customerservice@ahbinc.com)



AHB Tooling & Machinery is an industrial distributor, in partnership with Weld Systems Integrators (WSI) to provide sales and service to the resistance welding industry. WSI and our TECNA divisions maintain an IN-STOCK inventory of TECNA industrial resistance welding equipment and tool balancers in Warrensville Heights, Ohio.



**844-WSI-WELD**

[www.wsiweld.com](http://www.wsiweld.com)

[salesteam@wsiweld.com](mailto:salesteam@wsiweld.com)

