

JUN. 2011

HIA SERIES

PARTS LIST

12779 HA250_250W(252L)(EU_EXP_DOM)

From Serial No. DOM:67020001 / EXP STD:65020001 / EXP W:65030001 / EU STD:64020001 / EU W:64030001 and after

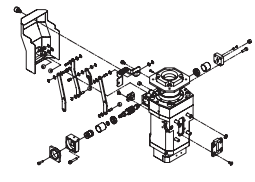
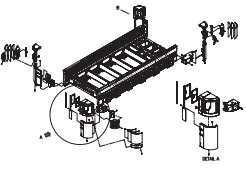
Ver. 1.0

GENERAL INFORMATION

- * Specifications are subject to change without notice.
- * This parts list shows all of the parts used in your machine.
Please file this parts list for reference and refer to it when you order parts or maintain the machine.
- * This edition has been divided into sections.
Please refer to MACHINE COMPONENT.
- * The scale used on each page of drawings is different.
Please be aware that parts may seem to be different sizes on different pages.

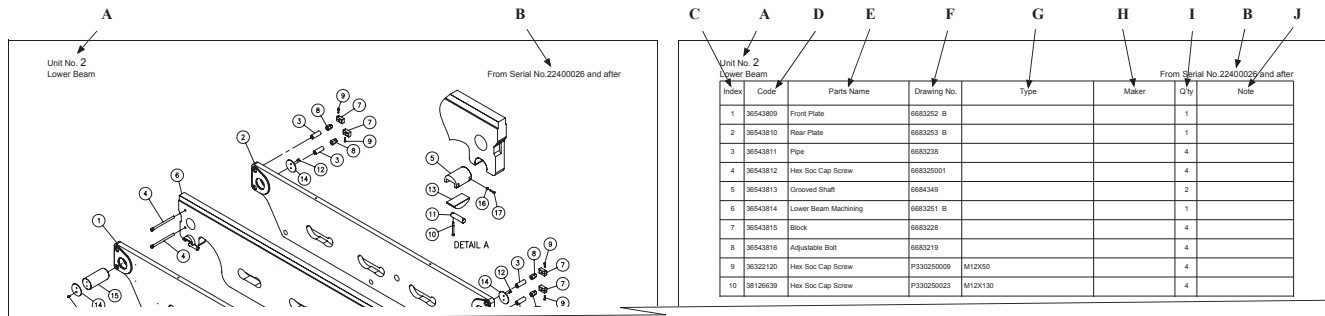
INTRODUCTION

1. TABLE OF CONTENTS

1	2
	

- a Unit No.
- b Unit Name
- c Assembly drawings shown in the main text.

2. MAIN TEXT



A Unit No. and Name

The Unit No. and Name are shown on relevant pages.

B Machine Serial No.

The Serial Nos. of machines corresponding to the information are shown.

C Index No.

The index No. for each part in a drawing is shown and corresponds to the list of parts for that drawing.

D Code

The individual Code No. for each part on the models is shown.

E Parts Name

The name (description) of each part.

F Drawing No.

The numbers of drawings relevant to the part are given.

G Type

The type description of each marketed item are shown.

H Maker

The manufacturer of each marketed item is shown.

I Quantity

The quantity of each part used on the models is shown.

J Notes

Cautions and notes necessary to the ordering each part.

ORDER INSTRUCTIONS

1. Confirm whether the model name and No. on the serial plate of the machine correspond to the numbers of the machines for which the parts list is effective.
2. Use the drawings in the Table of Contents to find the unit on which the part in question is shown in greater detail.
3. Spread out the referred pages.
4. Use the drawings and corresponding lists to confirm the specs, etc. of the part in question.
5. When ordering, please supply the following information:
 - (1)Machine Model
 - (2)Serial No.
 - (3)Code
 - (4)Quantity

UNIT LIST

Name Plate
Machine Body
Wedge-type Anchor Bolt
Drive Wheel Speed Reducer
Gearbox
Driven Wheel
Saw Blade Guide
Hydraulic
Head Cylinder
Wire Brush
Cutting Fluid
Work Feeding Unit
Feed Cylinder
Vertical Roller
Rear Vise
Work Light
Electric DOM
Electric US
Electric EU
Electric AS
Standard Accessory
Cover Open LS
Emergency Stop Button

///// Factory Options /////
Vise Pressure Control Valve
Chip Conveyor
5mm-wide Cutting
Signal Tower

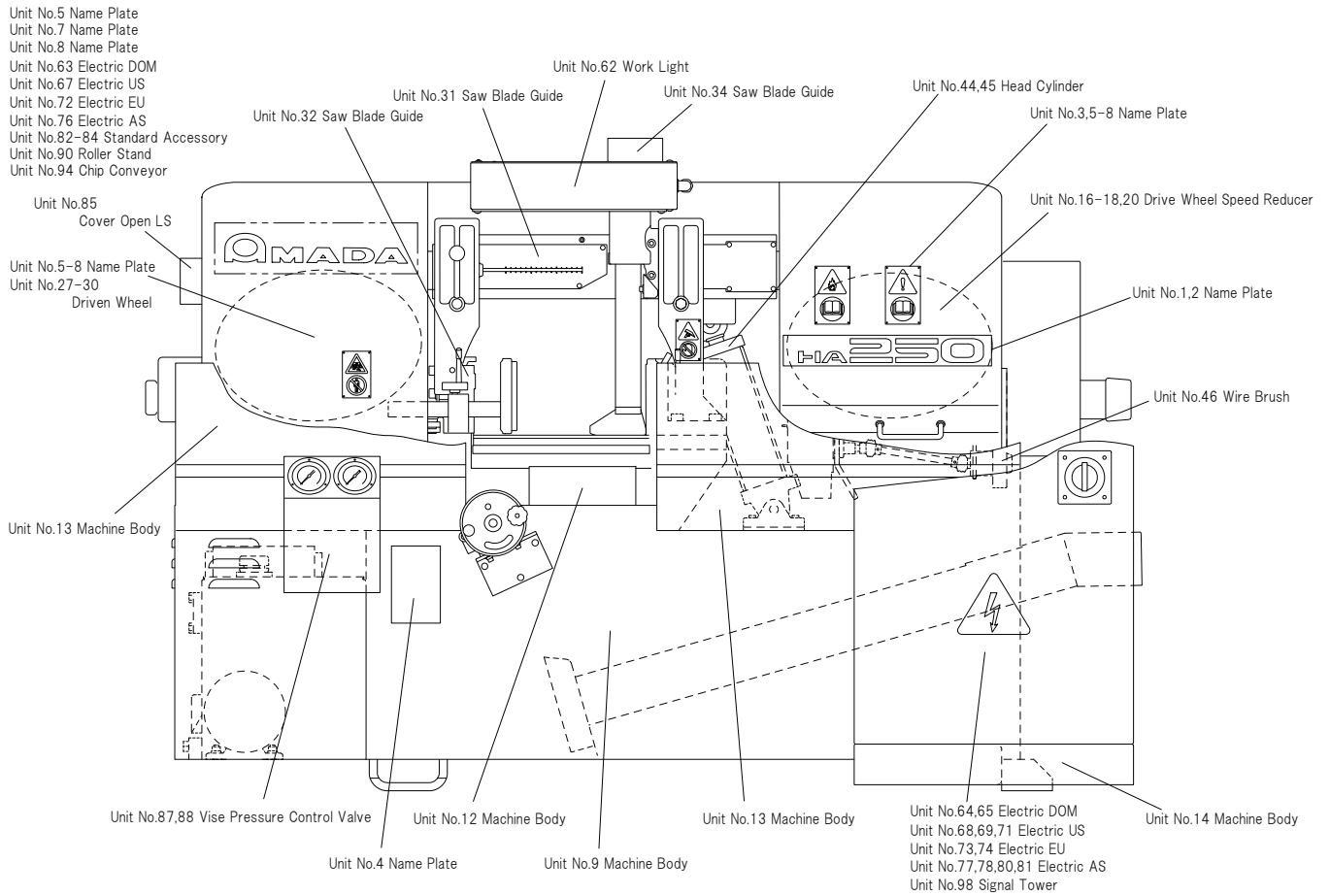
///// Optional Accessories /////

Multi-vise
Roller Stand
Roller Table

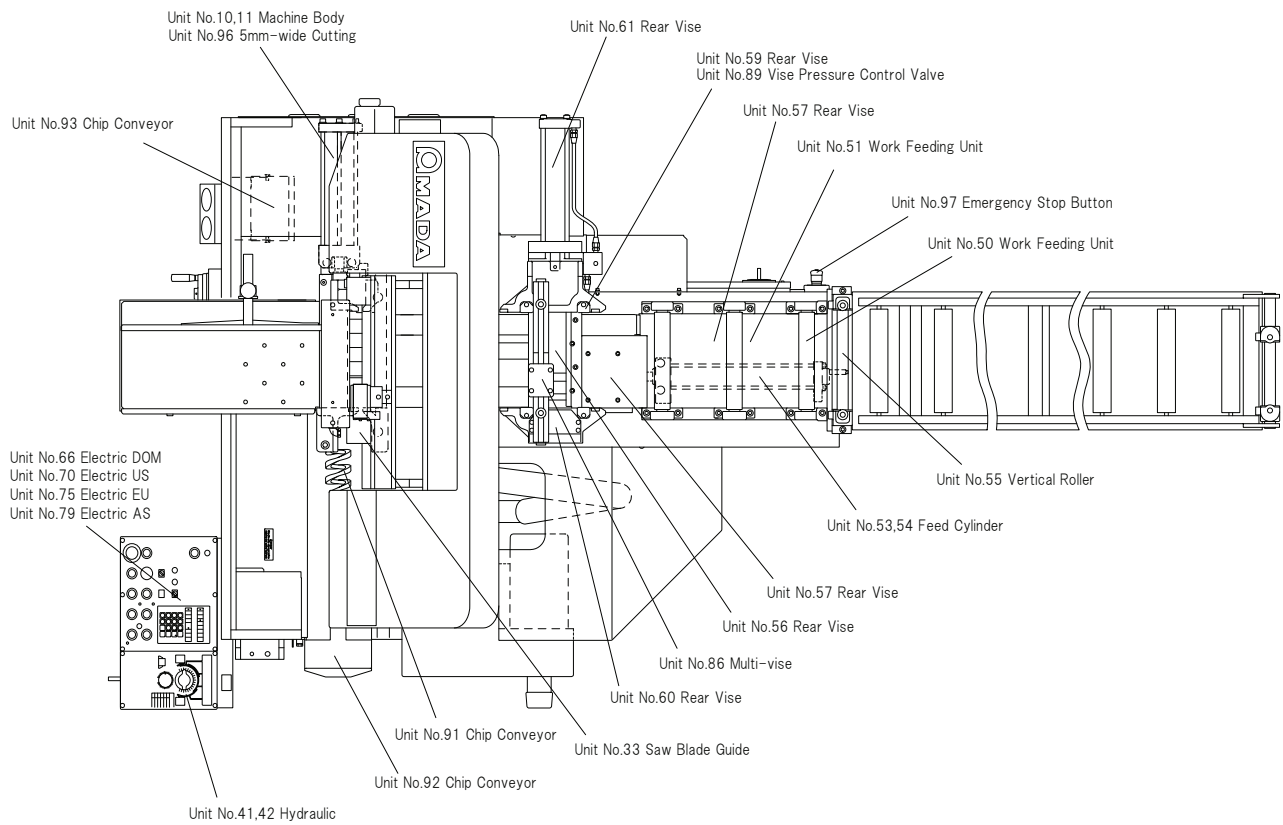
© 2011 AMADA CO., LTD.

All rights reserved. Printed in Japan.

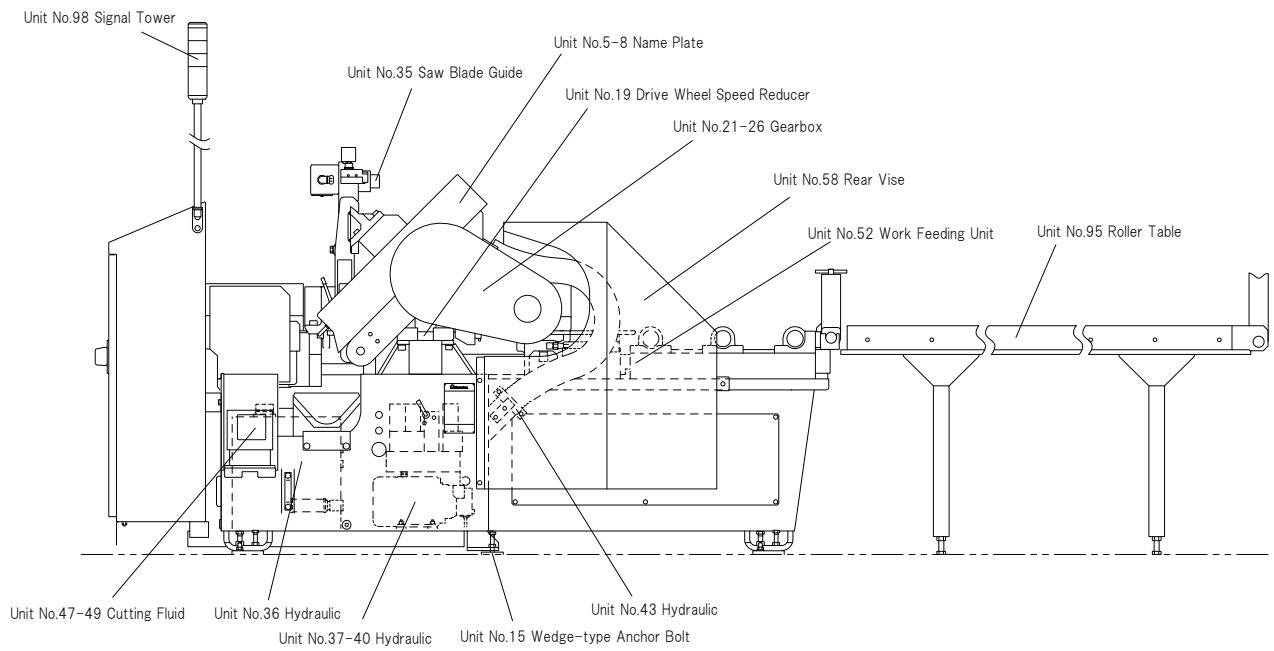
MACHINE COMPONENT (1)



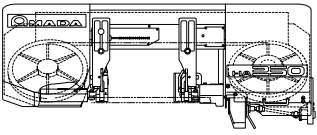
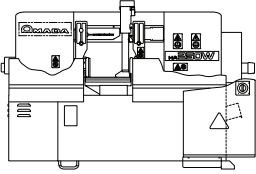
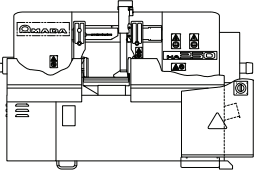
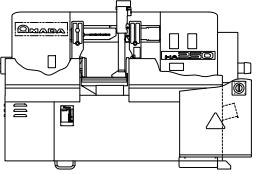
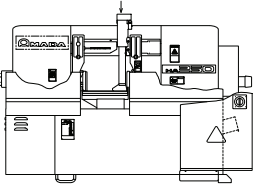
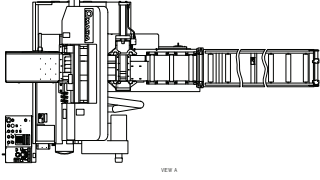
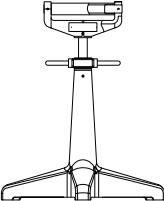
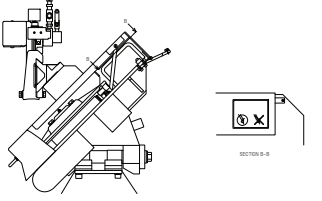
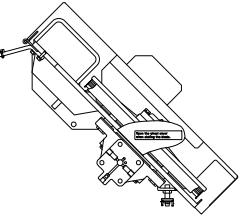
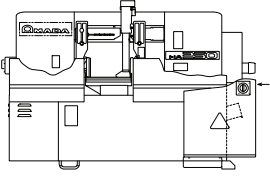
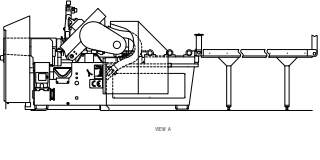
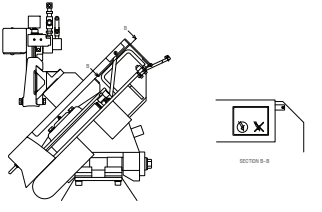
MACHINE COMPONENT (2)



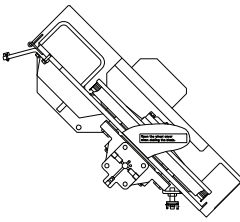
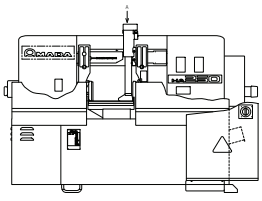
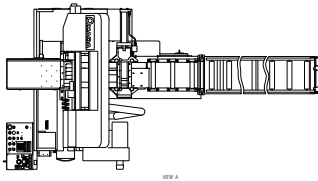
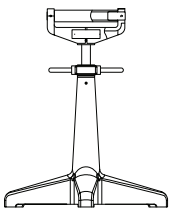
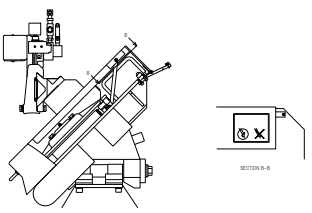
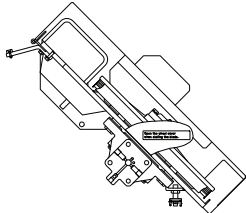
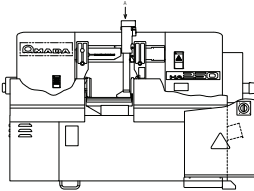
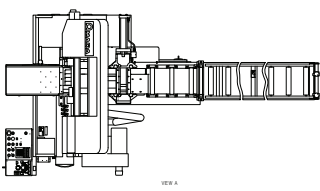
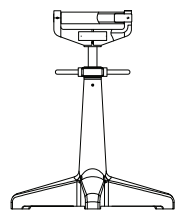
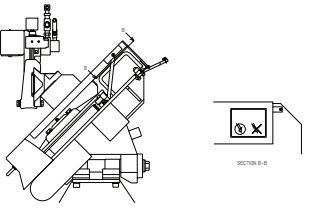
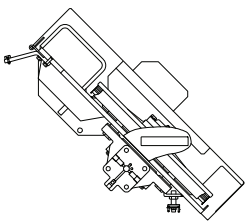
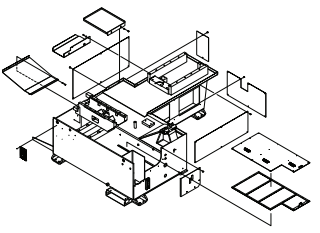
MACHINE COMPONENT (3)



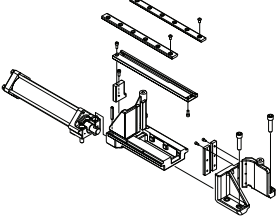
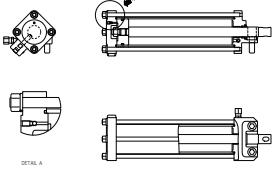
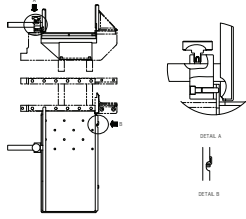
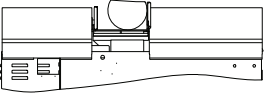
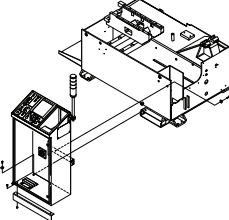
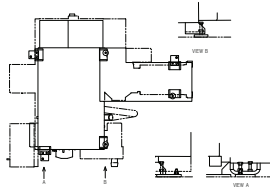
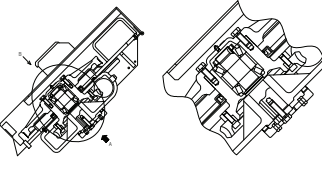
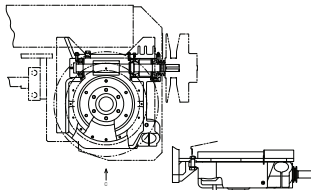
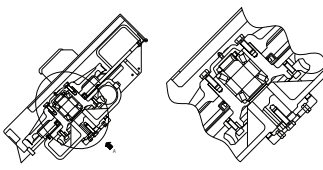
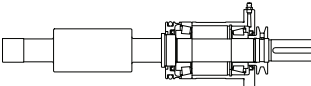
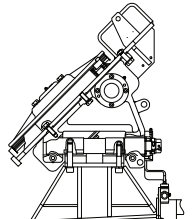
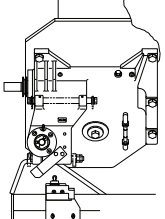
CONTENTS (1)

<p>1 Name Plate(1)</p> 	<p>2 Name Plate(2)</p> 	<p>3 Name Plate(3)</p> 	<p>4 Name Plate(4)</p> 
<p>5 Name Plate(5)-1/5</p> 	<p>5 Name Plate(5)-2/5</p> 	<p>5 Name Plate(5)-3/5</p> 	<p>5 Name Plate(5)-4/5</p> 
<p>5 Name Plate(5)-5/5</p> 	<p>6 Name Plate(6)-1/4</p> 	<p>6 Name Plate(6)-2/4</p> 	<p>6 Name Plate(6)-3/4</p> 

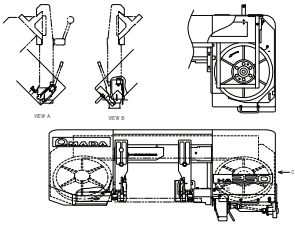
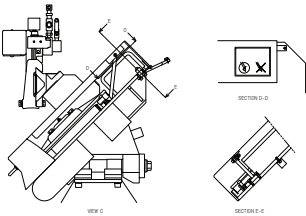
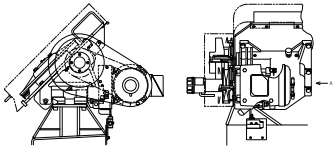
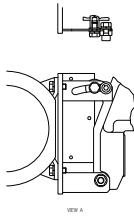
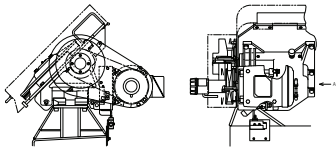
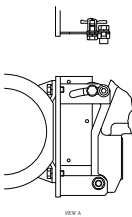
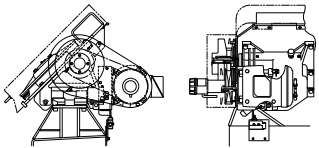
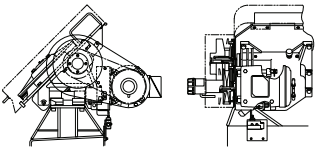
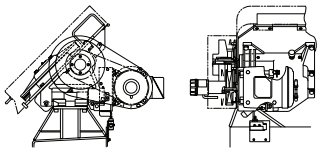
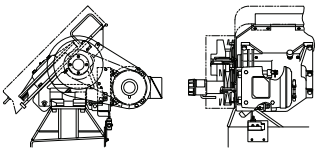
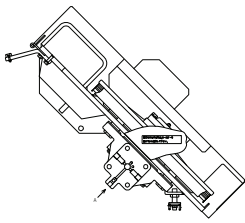
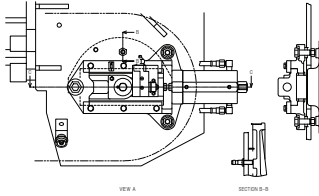
CONTENTS (2)

<p>6 Name Plate(6)-4/4</p> 	<p>7 Name Plate(7)-1/5</p> 	<p>7 Name Plate(7)-2/5</p> 	<p>7 Name Plate(7)-3/5</p> 
<p>7 Name Plate(7)-4/5</p> 	<p>7 Name Plate(7)-5/5</p> 	<p>8 Name Plate(8)-1/5</p> 	<p>8 Name Plate(8)-2/5</p> 
<p>8 Name Plate(8)-3/5</p> 	<p>8 Name Plate(8)-4/5</p> 	<p>8 Name Plate(8)-5/5</p> 	<p>9 Machine Body(1)</p> 

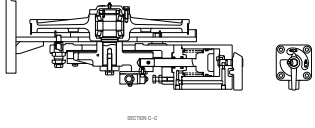
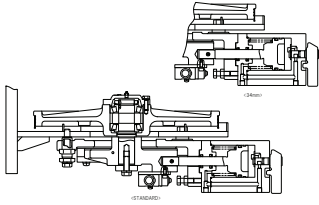
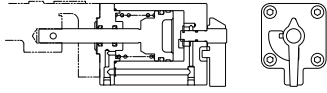
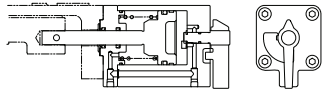
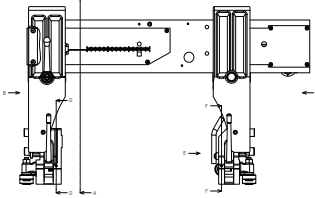
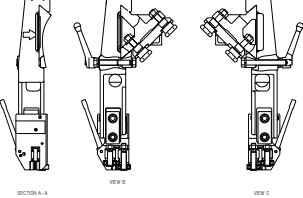
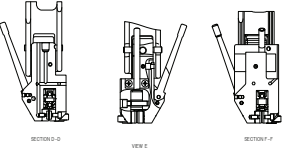
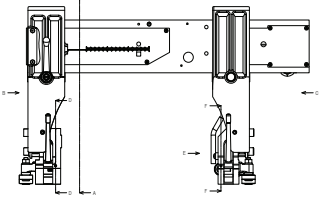
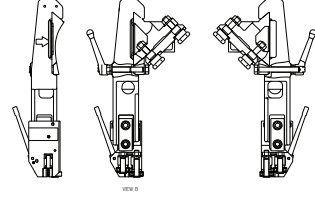
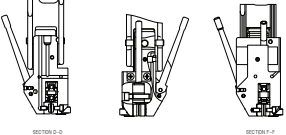
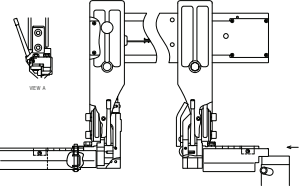
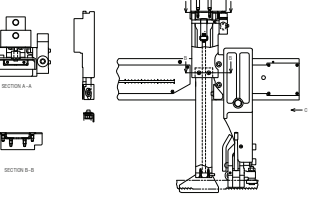
CONTENTS (3)

<p>10 Machine Body(2)</p> 	<p>11 Machine Body(3)</p> 	<p>12 Machine Body(4)</p> 	<p>13 Machine Body(5)</p> 
<p>14 Machine Body(6)</p> 	<p>15 Wedge-type Anchor Bolt</p> 	<p>16 Drive Wheel Speed Reducer(1)-1/2</p> 	<p>16 Drive Wheel Speed Reducer(1)-2/2</p> 
<p>17 Drive Wheel Speed Reducer(2)</p> 	<p>18 Drive Wheel Speed Reducer(3)</p> 	<p>19 Drive Wheel Speed Reducer(4)-1/2</p> 	<p>19 Drive Wheel Speed Reducer(4)-2/2</p> 

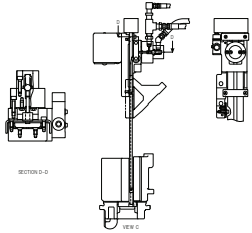
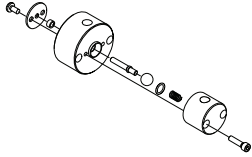
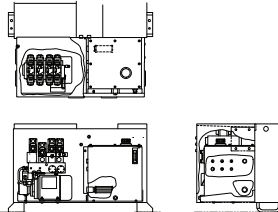
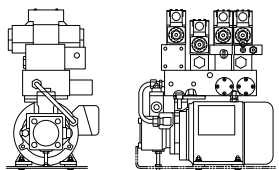
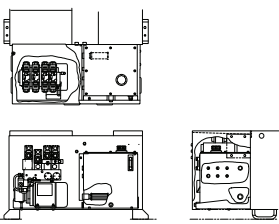
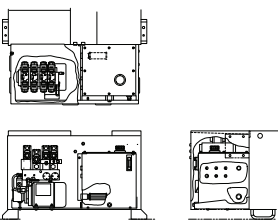
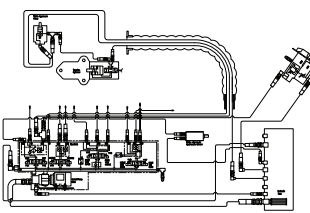
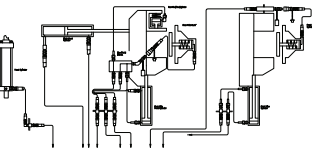
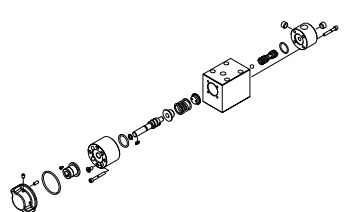
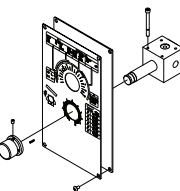
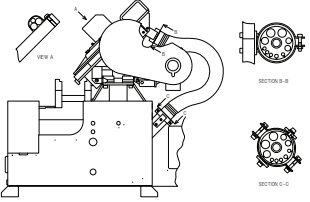
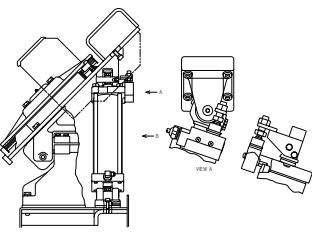
CONTENTS (4)

20 Drive Wheel Speed Reducer(5)-1/2	20 Drive Wheel Speed Reducer(5)-2/2	21 Gearbox(1)-1/2	21 Gearbox(1)-2/2
			
22 Gearbox(2)-1/2	22 Gearbox(2)-2/2	23 Gearbox(3)	24 Gearbox(4)
			
25 Gearbox(5)	26 Gearbox(6)	27 Driven Wheel(1)-1/3	27 Driven Wheel(1)-2/3
			

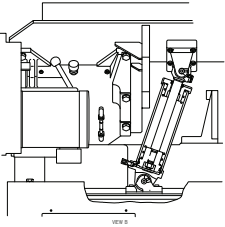
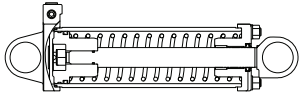
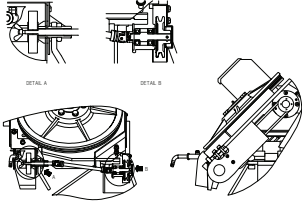
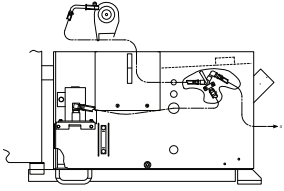
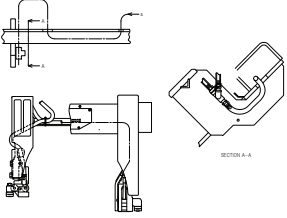
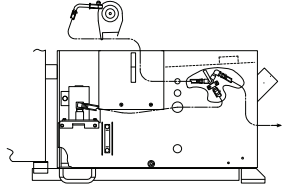
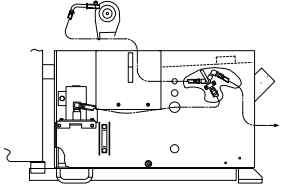
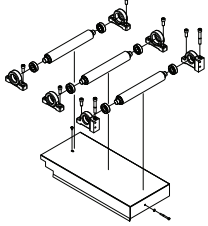
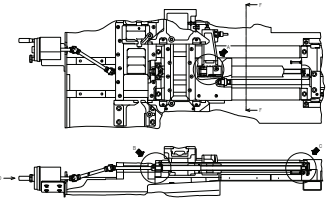
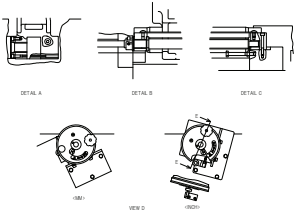
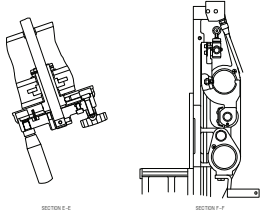
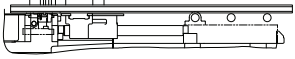
CONTENTS (5)

<p>27 Driven Wheel(1)-3/3</p>  <p>SECTION D-C</p>	<p>28 Driven Wheel(2)</p>  <p>(STANDARD)</p>	<p>29 Driven Wheel(3)</p> 	<p>30 Driven Wheel(4)</p> 
<p>31 Saw Blade Guide(1)-1/3</p> 	<p>31 Saw Blade Guide(1)-2/3</p>  <p>SECTION A-A VIEW B VIEW C</p>	<p>31 Saw Blade Guide(1)-3/3</p>  <p>SECTION D-D VIEW E SECTION F-F</p>	<p>32 Saw Blade Guide(2)-1/3</p> 
<p>32 Saw Blade Guide(2)-2/3</p>  <p>SECTION A-A VIEW B VIEW C</p>	<p>32 Saw Blade Guide(2)-3/3</p>  <p>SECTION D-D VIEW E SECTION F-F</p>	<p>33 Saw Blade Guide(3)</p>  <p>VIEW A</p>	<p>34 Saw Blade Guide(4)-1/2</p>  <p>SECTION A-A SECTION B-B</p>

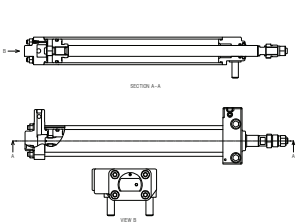
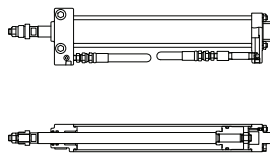
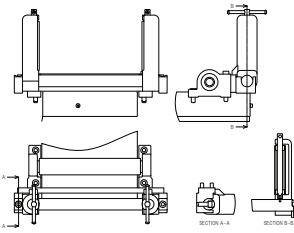
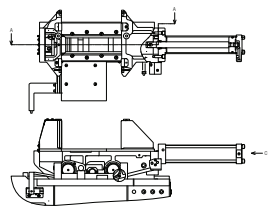
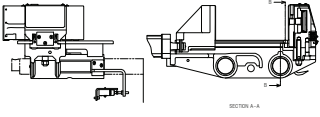
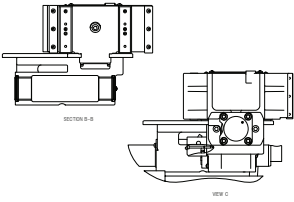
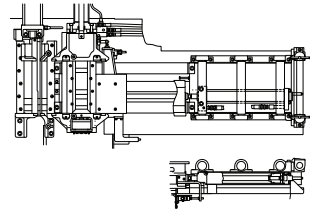
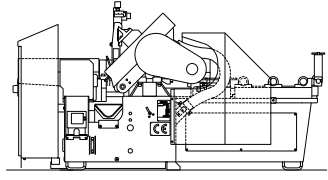
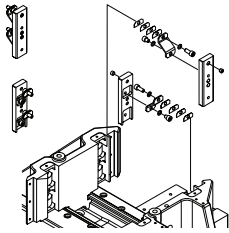
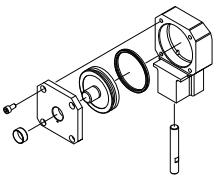
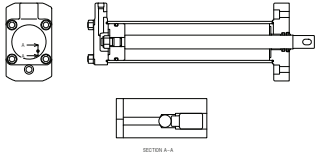
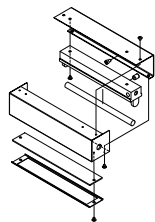
CONTENTS (6)

<p>34 Saw Blade Guide(4)-2/2</p> 	<p>35 Saw Blade Guide(5)</p> 	<p>36 Hydraulic(1)</p> 	<p>37 Hydraulic(2)</p> 
<p>38 Hydraulic(3)</p> 	<p>39 Hydraulic(4)</p> 	<p>40 Hydraulic(5)-1/2</p> 	<p>40 Hydraulic(5)-2/2</p> 
<p>41 Hydraulic(6)</p> 	<p>42 Hydraulic(7)</p> 	<p>43 Hydraulic(8)</p> 	<p>44 Head Cylinder(1)-1/2</p> 

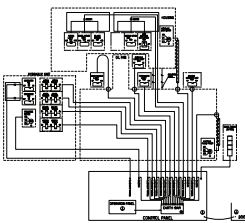
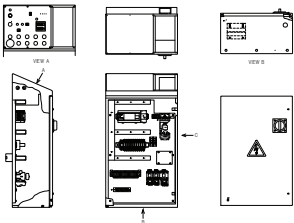
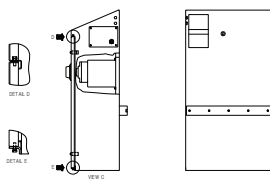
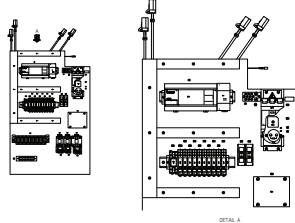
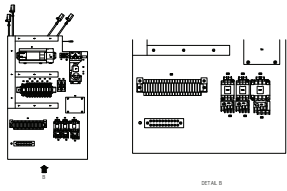
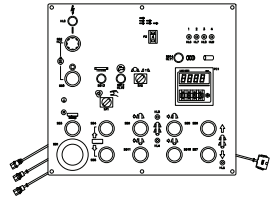
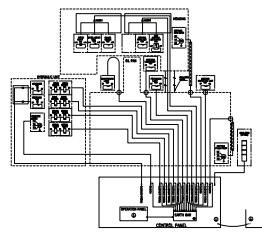
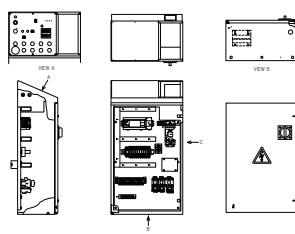
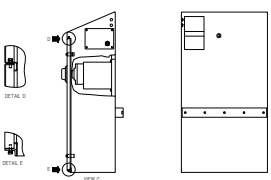
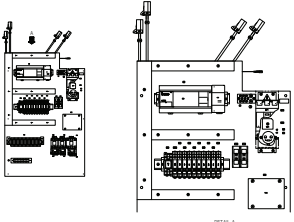
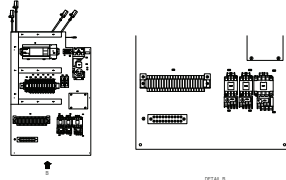
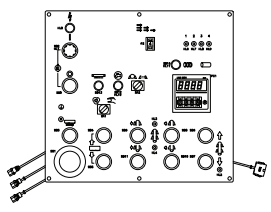
CONTENTS (7)

<p>44 Head Cylinder(1)-2/2</p> 	<p>45 Head Cylinder(2)</p> 	<p>46 Wire Brush</p> 	<p>47 Cutting Fluid(1)-1/2</p> 
<p>47 Cutting Fluid(1)-2/2</p> 	<p>48 Cutting Fluid(2)</p> 	<p>49 Cutting Fluid(3)</p> 	<p>50 Work Feeding Unit(1)</p> 
<p>51 Work Feeding Unit(2)-1/3</p> 	<p>51 Work Feeding Unit(2)-2/3</p> 	<p>51 Work Feeding Unit(2)-3/3</p> 	<p>52 Work Feeding Unit(3)</p> 

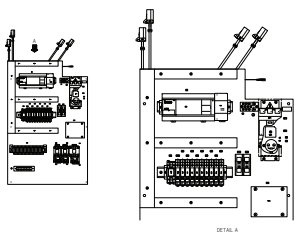
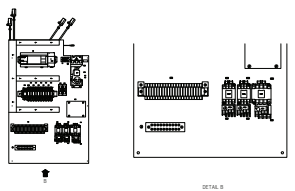
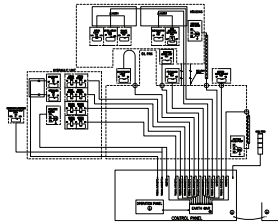
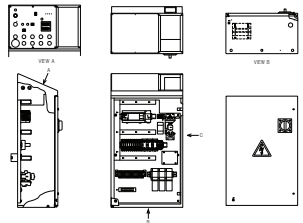
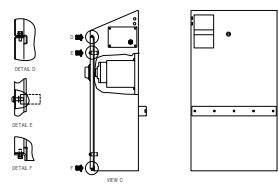
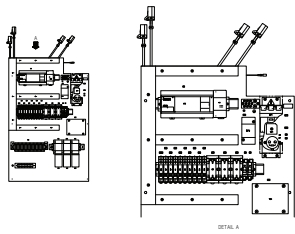
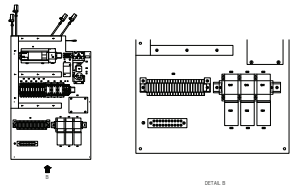
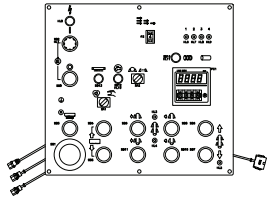
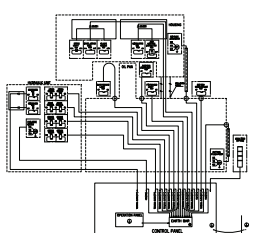
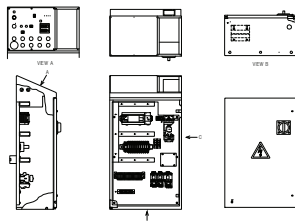
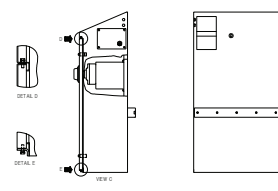
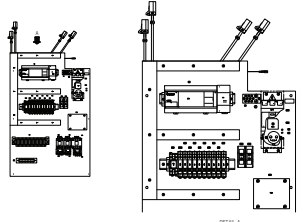
CONTENTS (8)

<p>53 Feed Cylinder(1)</p> 	<p>54 Feed Cylinder(2)</p> 	<p>55 Vertical Roller</p> 	<p>56 Rear Vise(1)-1/3</p> 
<p>56 Rear Vise(1)-2/3</p> 	<p>56 Rear Vise(1)-3/3</p> 	<p>57 Rear Vise(2)</p> 	<p>58 Rear Vise(3)</p> 
<p>59 Rear Vise(4)</p> 	<p>60 Rear Vise(5)</p> 	<p>61 Rear Vise(6)</p> 	<p>62 Work Light</p> 

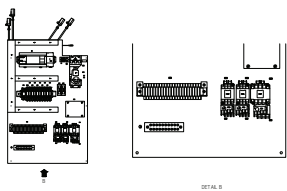
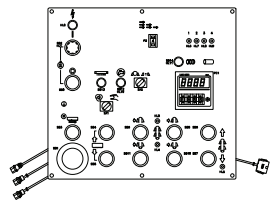
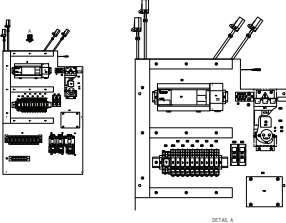
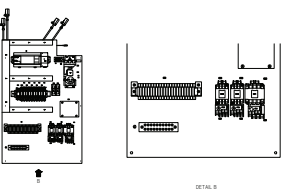
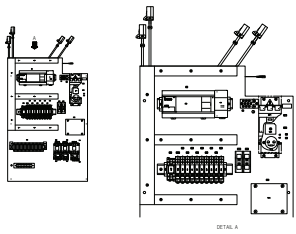
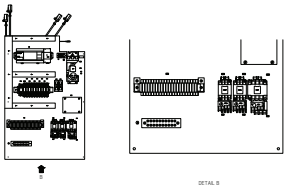
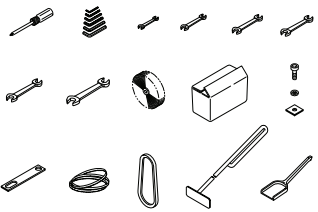
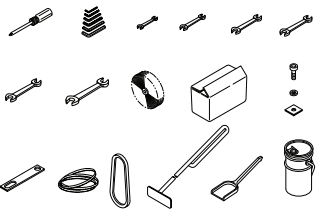

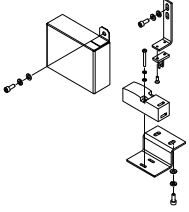
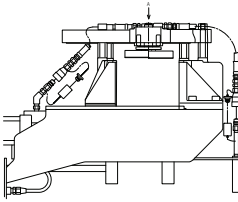
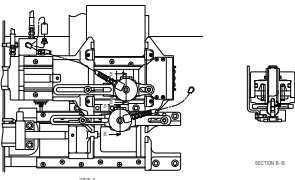
CONTENTS (9)

63	Electric DOM(1)	64	Electric DOM(2)-1/2
			
65	Electric DOM(3)-2/2	66	Electric DOM(4)
			
68	Electric US(2)-2/2	69	Electric US(3)-1/2
			

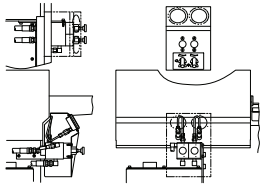
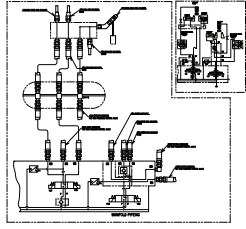
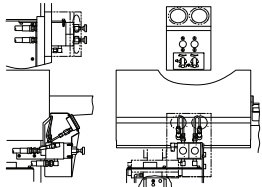
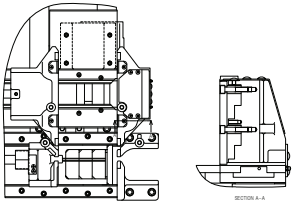
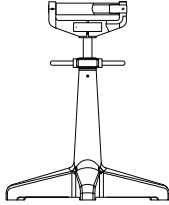
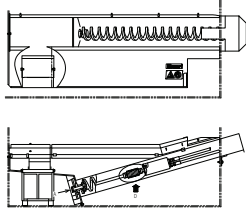
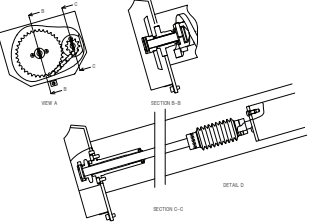
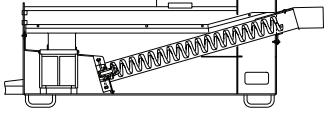
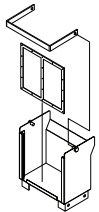
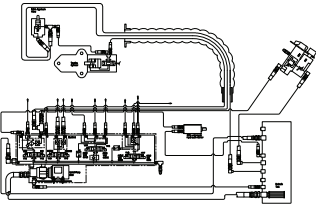
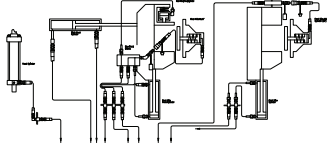
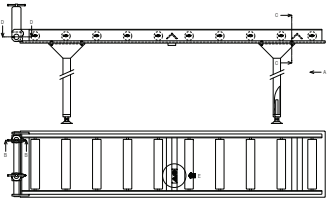
CONTENTS (10)

<p>71 Electric US(5)-1/2</p> 	<p>71 Electric US(5)-2/2</p> 	<p>72 Electric EU(1)</p> 	<p>73 Electric EU(2)-1/2</p> 
<p>73 Electric EU(2)-2/2</p> 	<p>74 Electric EU(3)-1/2</p> 	<p>74 Electric EU(3)-2/2</p> 	<p>75 Electric EU(4)</p> 
<p>76 Electric AS(1)</p> 	<p>77 Electric AS(2)-1/2</p> 	<p>77 Electric AS(2)-2/2</p> 	<p>78 Electric AS(3)-1/2</p> 

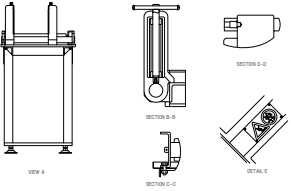
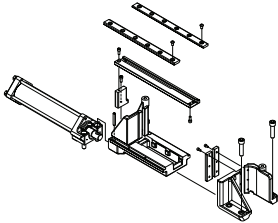
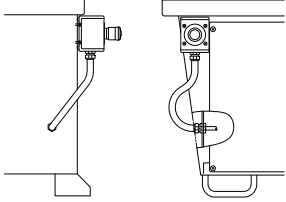
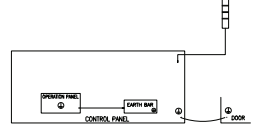
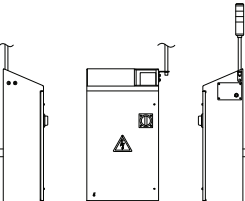
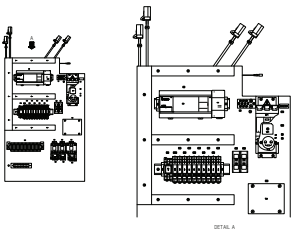
CONTENTS (11)

<p>78 Electric AS(3)-2/2</p> 	<p>79 Electric AS(4)</p> 	<p>80 Electric AS(5)-1/2</p> 	<p>80 Electric AS(5)-2/2</p> 
<p>81 Electric AS(6)-1/2</p> 	<p>81 Electric AS(6)-2/2</p> 	<p>82 Standard Accessory(1)</p> 	<p>83 Standard Accessory(2)</p> 
<p>84 Standard Accessory(3)</p> 	<p>85 Cover Open LS</p> 	<p>86 Multi-vise-1/2</p> 	<p>86 Multi-vise-2/2</p> 

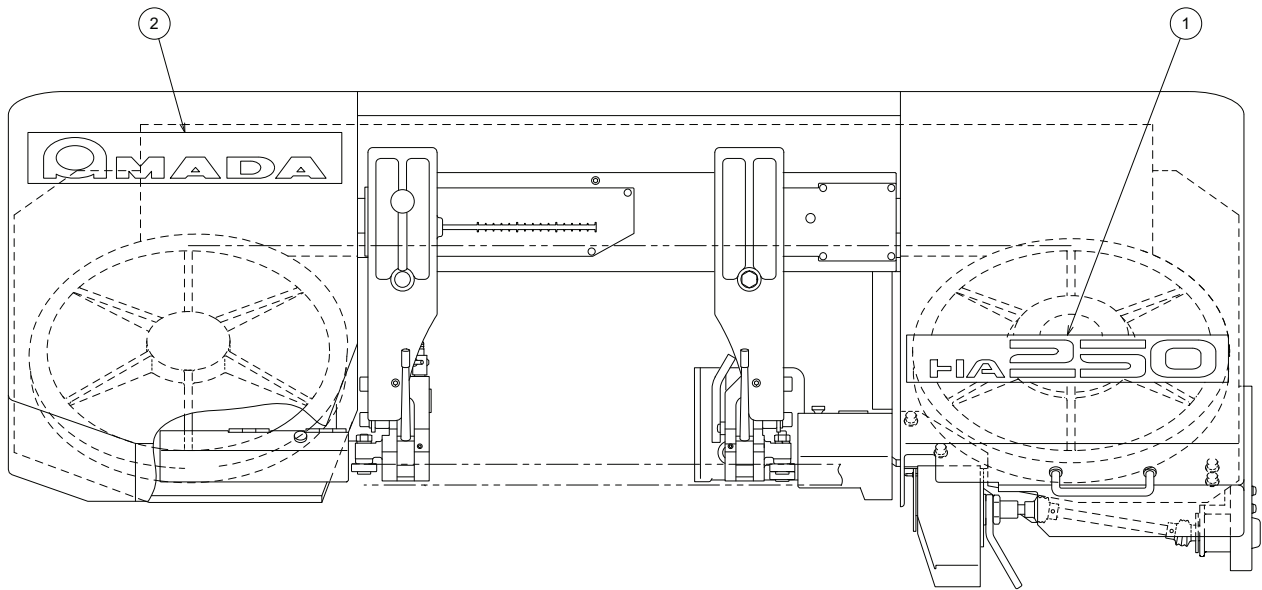
CONTENTS (12)

<p>87 Vise Pressure Control Valve(1)-1/2</p> 	<p>87 Vise Pressure Control Valve(1)-2/2</p> 	<p>88 Vise Pressure Control Valve(2)</p> 	<p>89 Vise Pressure Control Valve(3)</p> 
<p>90 Roller Stand</p> 	<p>91 Chip Conveyor(1)-1/2</p> 	<p>91 Chip Conveyor(1)-2/2</p> 	<p>92 Chip Conveyor(2)</p> 
<p>93 Chip Conveyor(3)</p> 	<p>94 Chip Conveyor(4)-1/2</p> 	<p>94 Chip Conveyor(4)-2/2</p> 	<p>95 Roller Table-1/2</p> 

CONTENTS (13)

95	Roller Table-2/2	96	5mm-wide Cutting				
98	Signal Tower-2/3	98	Signal Tower-3/3				

Unit No. 1
Name Plate(1) <Model Plate>

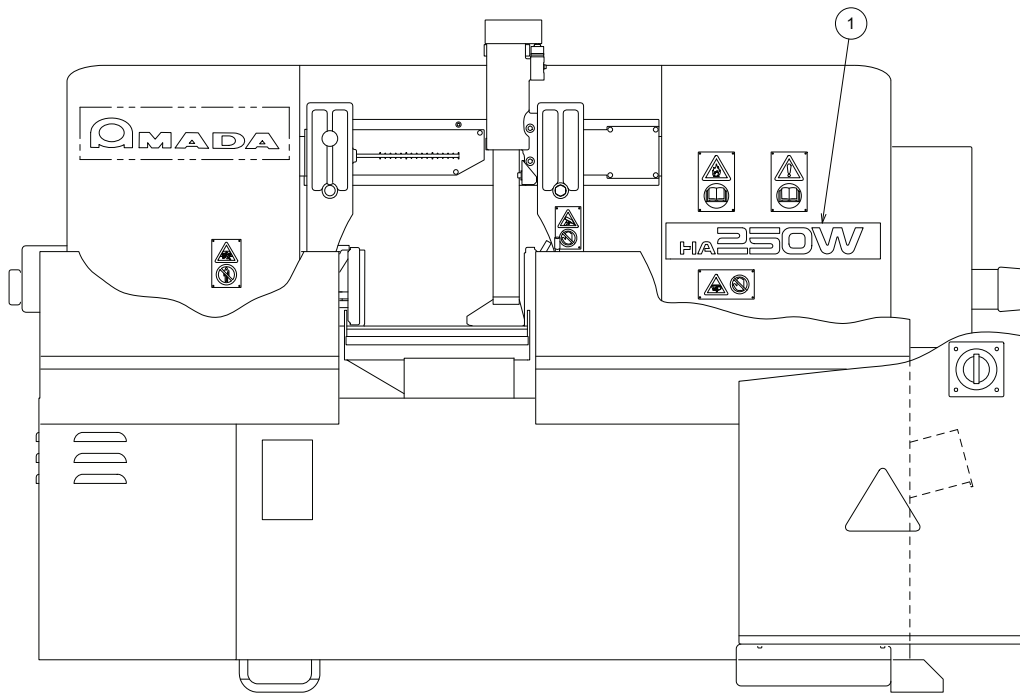


RB00360---
(RB00350--A)

Unit No. 1
Name Plate(1)

Index	Code	Parts Name	Drawing No.	Type	Maker	Q'ty	Note
1	10300440	Name Plate	RB00361---	HA250		1	
2	10300442	Amada Plate	RB00368---			1	

Unit No. 2
Name Plate(2) <HA250W>



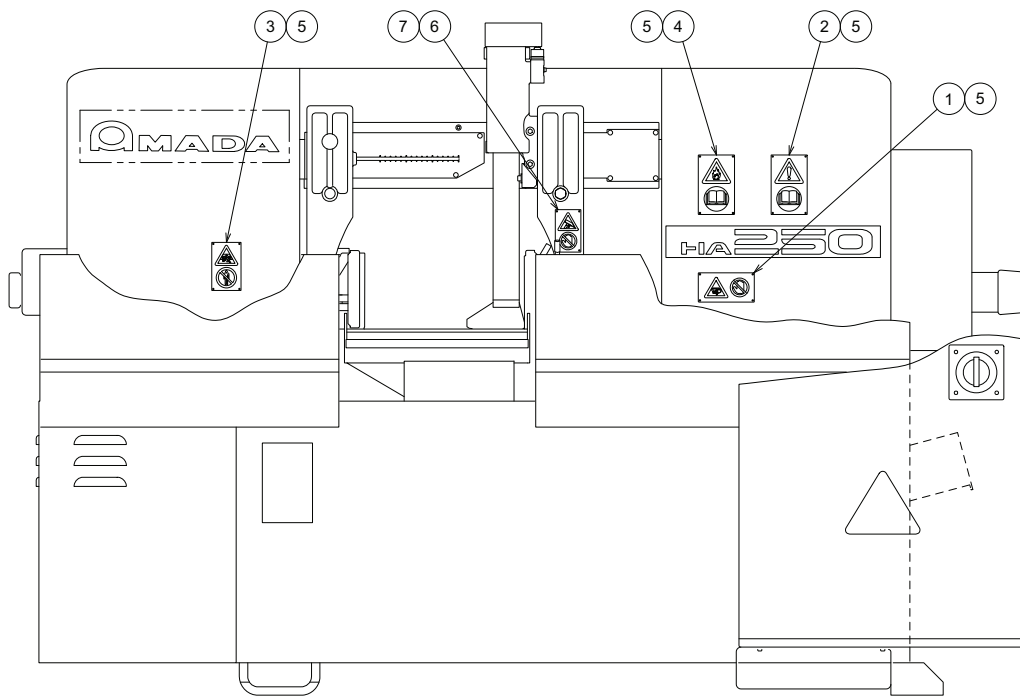
RB01003---
(RB01181---)

Unit No. 2

Name Plate(2)

Index	Code	Parts Name	Drawing No.	Type	Maker	Q'ty	Note
1	10300441	Name Plate	RB00363---	HA250W		1	

Unit No. 3
Name Plate(3) <DOM>

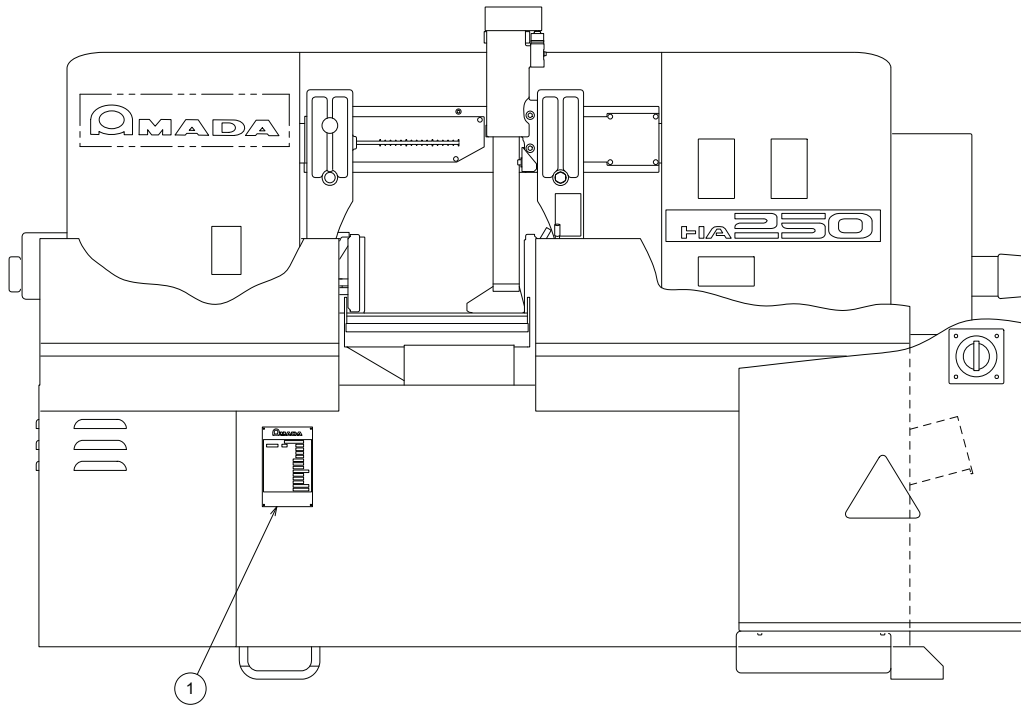


RB00830--D

Unit No. 3
Name Plate(3)

Index	Code	Parts Name	Drawing No.	Type	Maker	Q'ty	Note
1	10300845	Warning Plate	RB00831---			1	
2	10301133	Warning Plate	RB0376631-			1	
3	10301131	Warning Plate	RB0376621-			1	
4	10301129	Warning Plate	RB0376601-			1	
5	10345260	Blind Rivet	P339208002	NSA3-2	LOBTEX	16	
6	10300846	Warning Plate	RB00833--A			1	
7	10375027	Drive Screw	P339100002	NO.2X4.8	Tokyo Byora	4	

Unit No. 4
Name Plate(4) <HA250W>

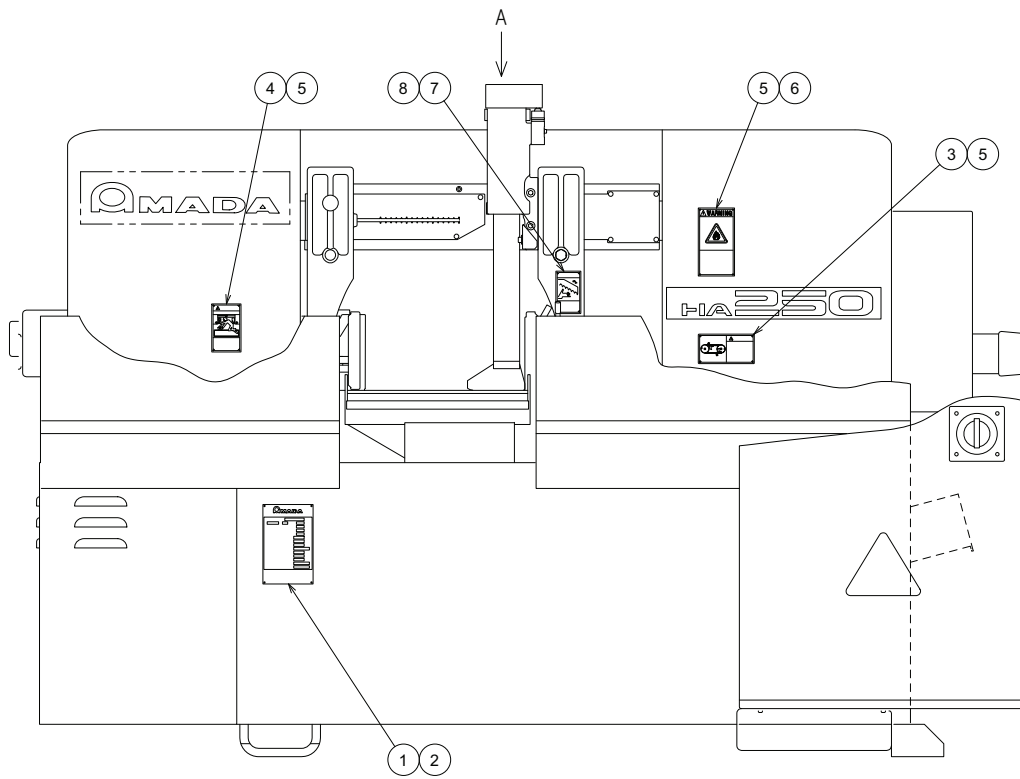


RB00830--D

Unit No. 4
Name Plate(4)

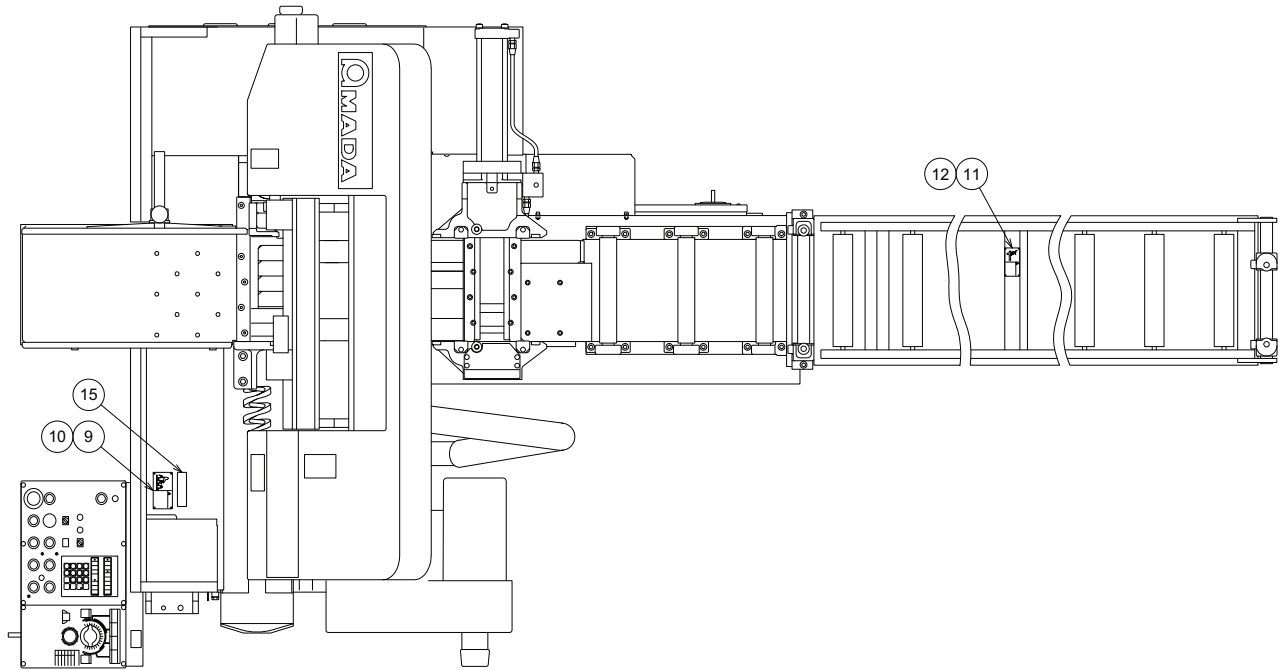
Index	Code	Parts Name	Drawing No.	Type	Maker	Q'ty	Note
1	10300942	Serial Plate	RB00999--C			1	

Unit No. 5
Name Plate(5)-1/5 <US>



RB01181---

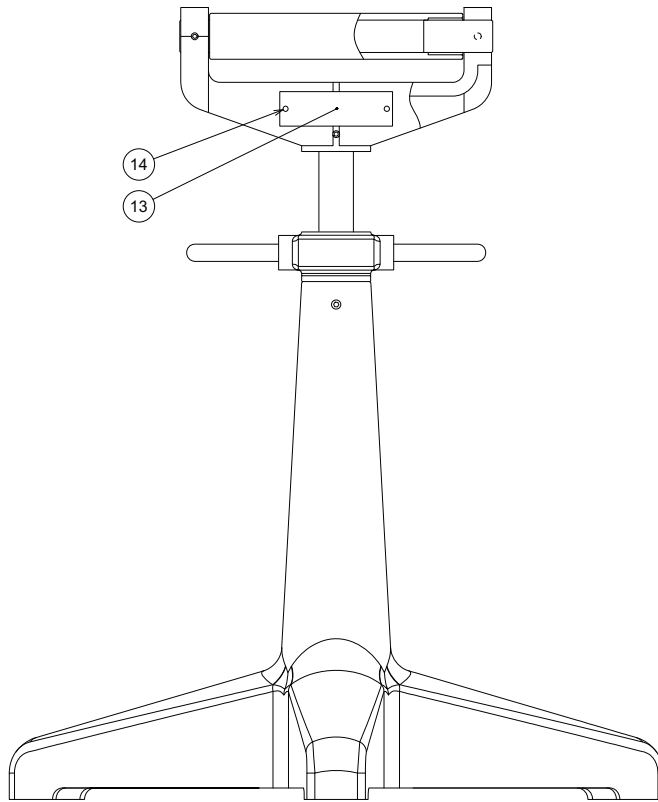
Unit No. 5
Name Plate(5)-2/5 <US>



VIEW A

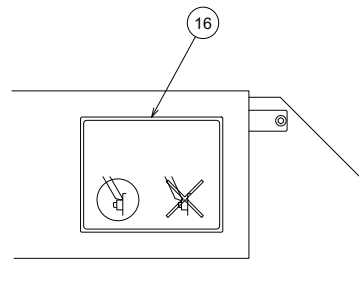
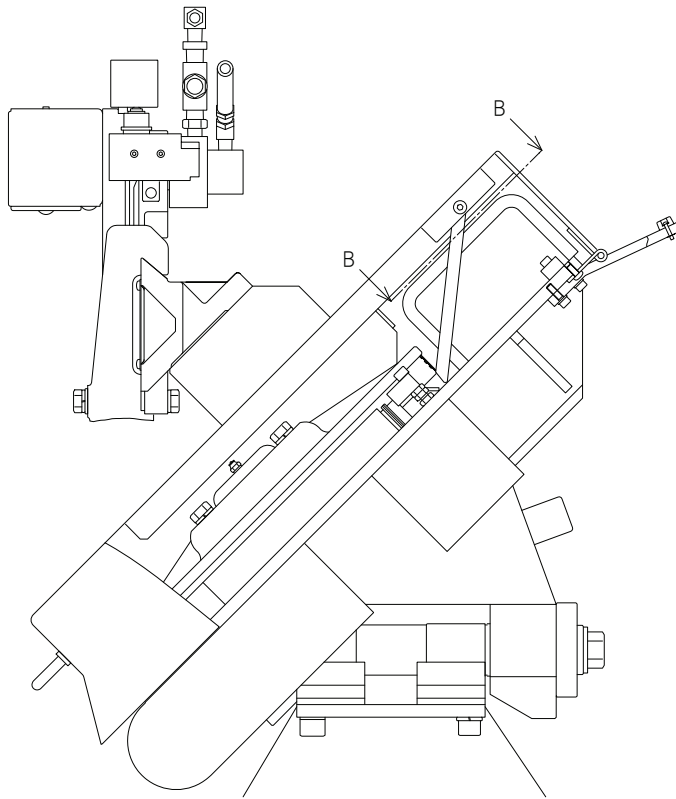
RB01181---

Unit No. 5
Name Plate(5)-3/5 <US>



RB01170--B
(RB00840--A)

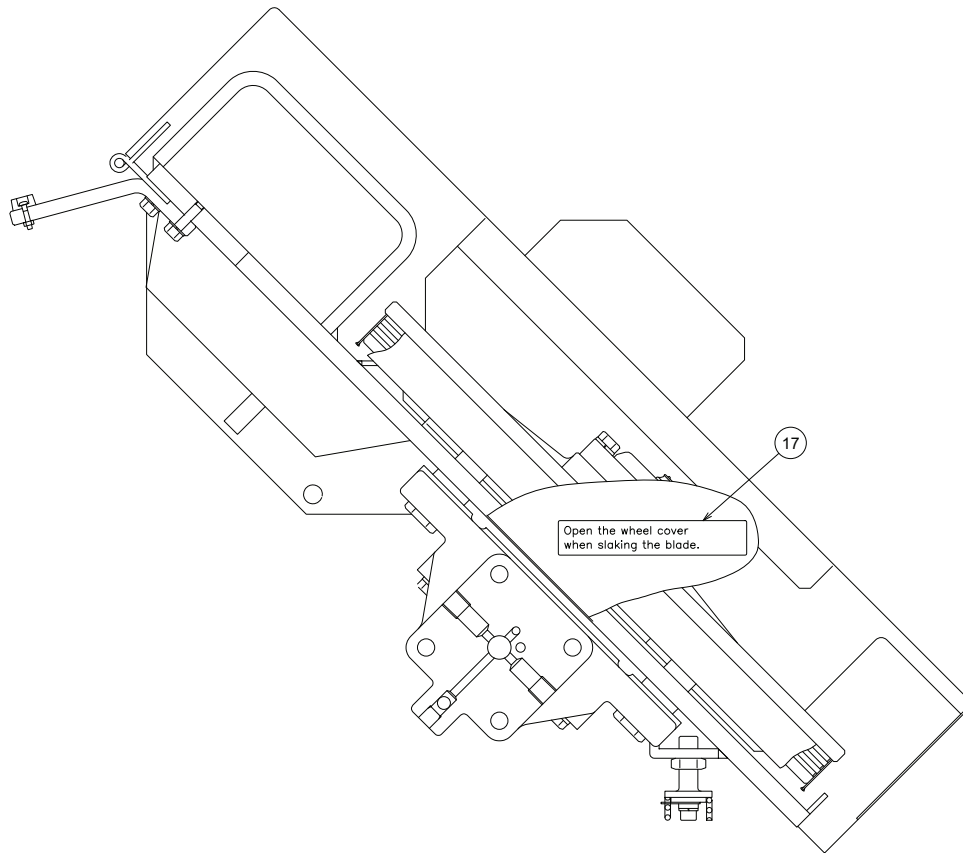
Unit No. 5
Name Plate(5)-4/5 <US>



SECTION B-B

RB01170--B
(RB00350--A)

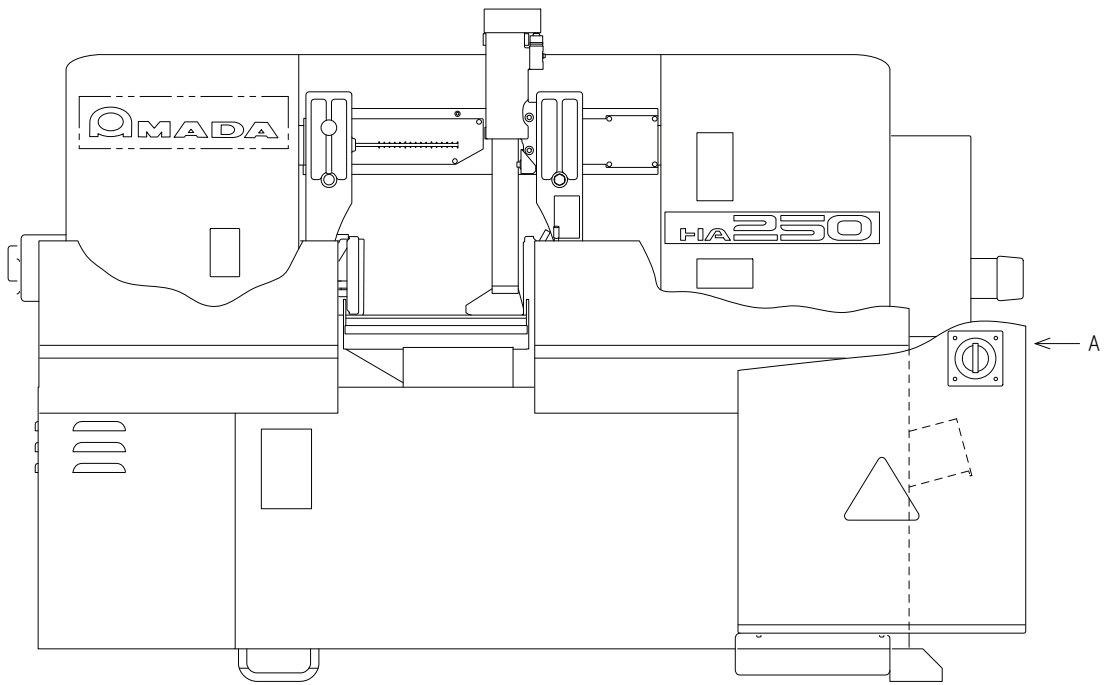
Unit No. 5
Name Plate(5)-5/5 <US>



Unit No. 5
Name Plate(5)

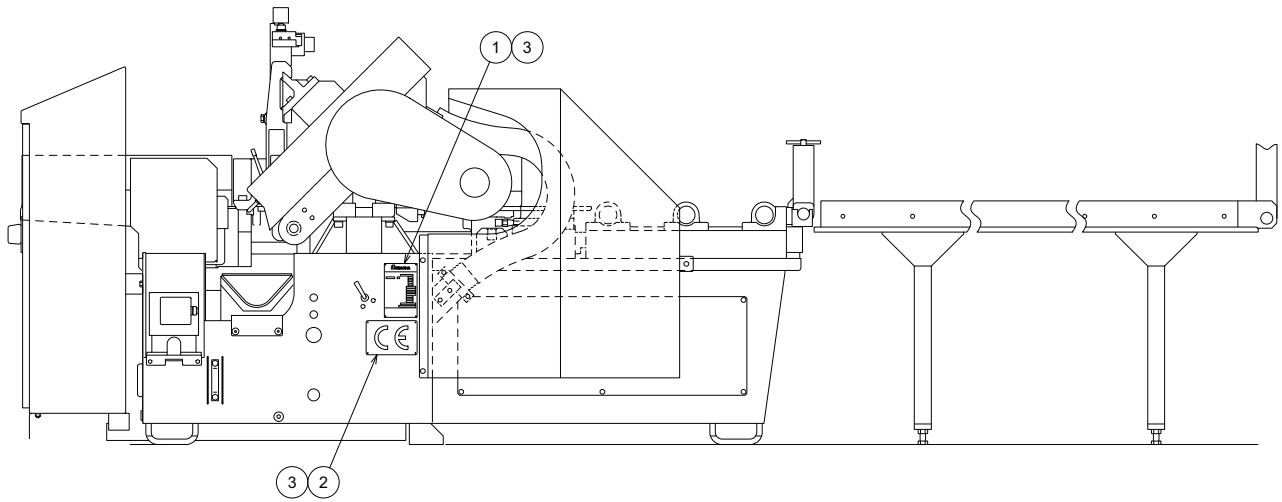
Index	Code	Parts Name	Drawing No.	Type	Maker	Q'ty	Note
1	10300995	Serial Plate	RB01171--B			1	for 27mm
1	10300996	Serial Plate	RB01172--B			1	for 34mm
2	10375027	Drive Screw	P339100002	NO.2X4.8	Tokyo Byora	4	
3	10355819	Warning Plate	1106876			1	
4	10301132	Warning Plate	RB0376622-			1	
5	10345260	Blind Rivet	P339208002	NSA3-2	LOBTEX	12	
6	10301130	Warning Plate	RB0376602-			1	
7	10384536	Warning Plate	1106875			1	
8	10375027	Drive Screw	P339100002	NO.2X4.8	Tokyo Byora	4	
9	10301135	Warning Plate	RB0376642-			1	
10	10345260	Blind Rivet	P339208002	NSA3-2	LOBTEX	4	
11	10301137	Warning Plate	RB0376652-			1	
12	10375027	Drive Screw	P339100002	NO.2X4.8	Tokyo Byora	4	
13	10300847	Caution Plate	RB00839---			1	
14	10375027	Drive Screw	P339100002	NO.2X4.8	Tokyo Byora	2	
15	10300877	Caution Plate	RB00871---			1	
16	10300429	Caution Plate	RB00343---			1	
17	10300479	Caution Plate	RB00410---			1	

Unit No. 6
Name Plate(6)-1/4 <EU>



RB01182---

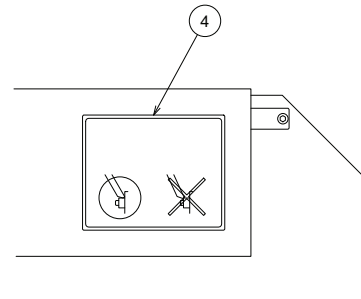
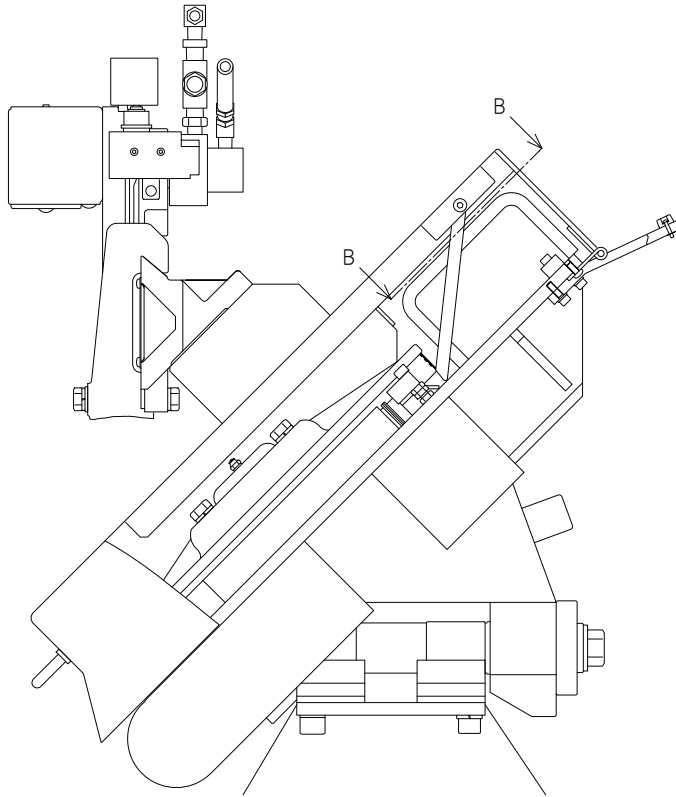
Unit No. 6
Name Plate(6)-2/4 <EU>



VIEW A

RB01182---

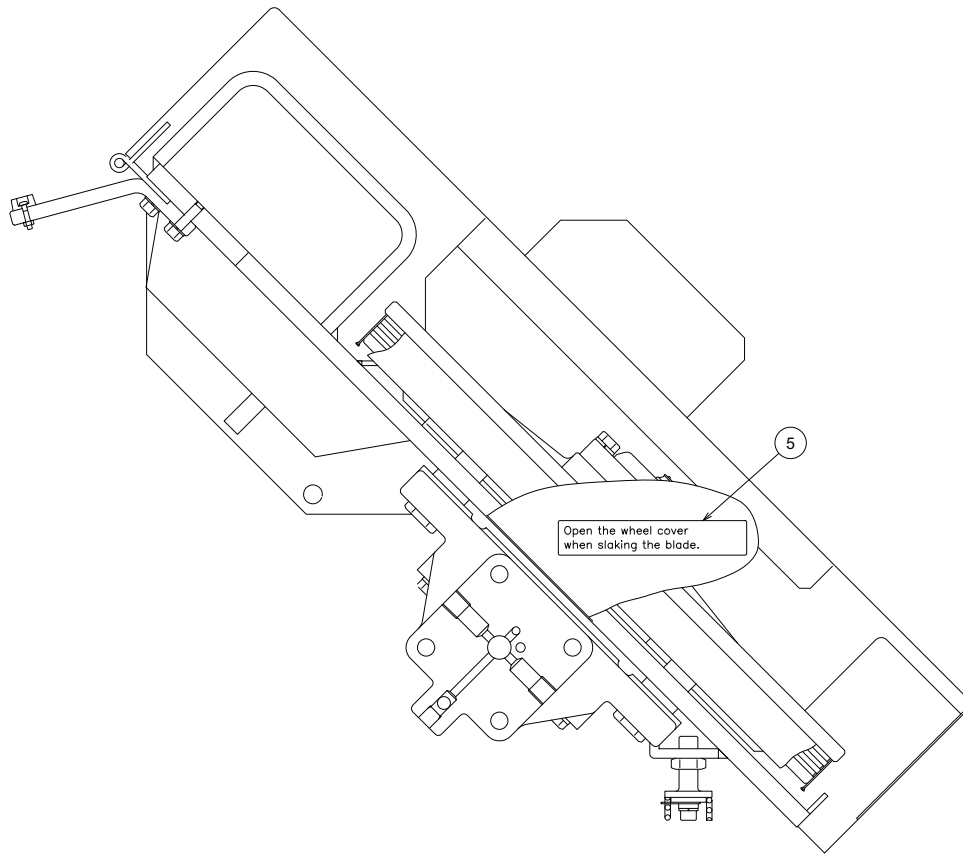
Unit No. 6
Name Plate(6)-3/4 <EU>



SECTION B-B

RB01180--A
(RB00350--A)

Unit No. 6
Name Plate(6)-4/4 <EU>

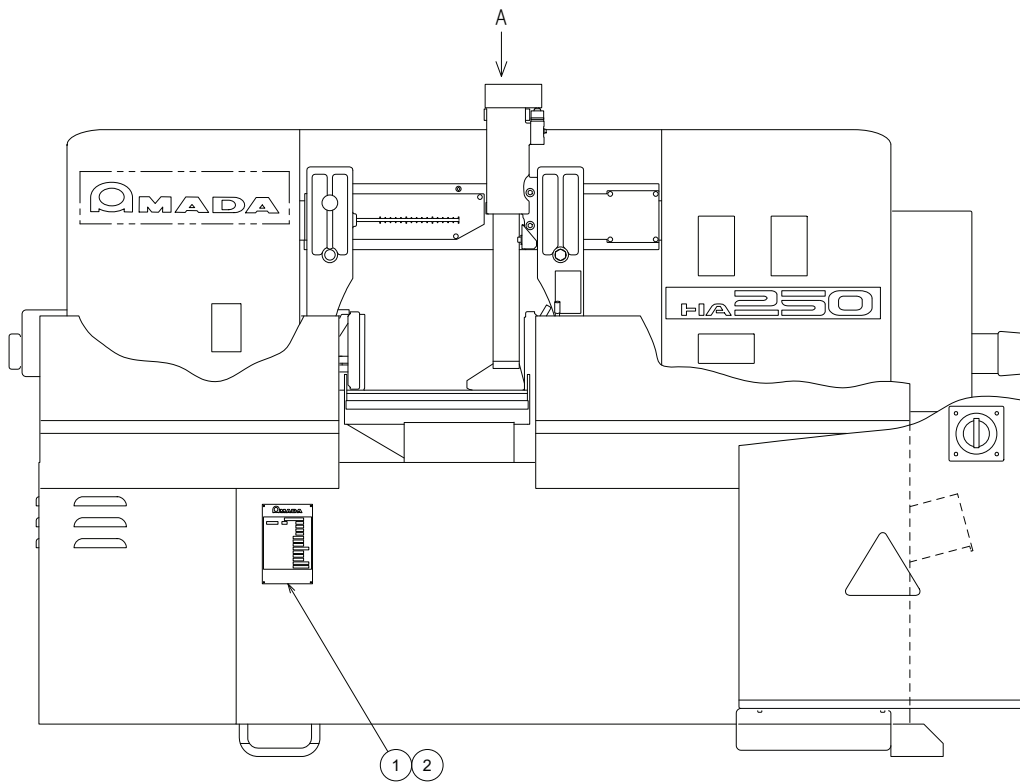


RB01180--A
(RB00380--A)

Unit No. 6
Name Plate(6)

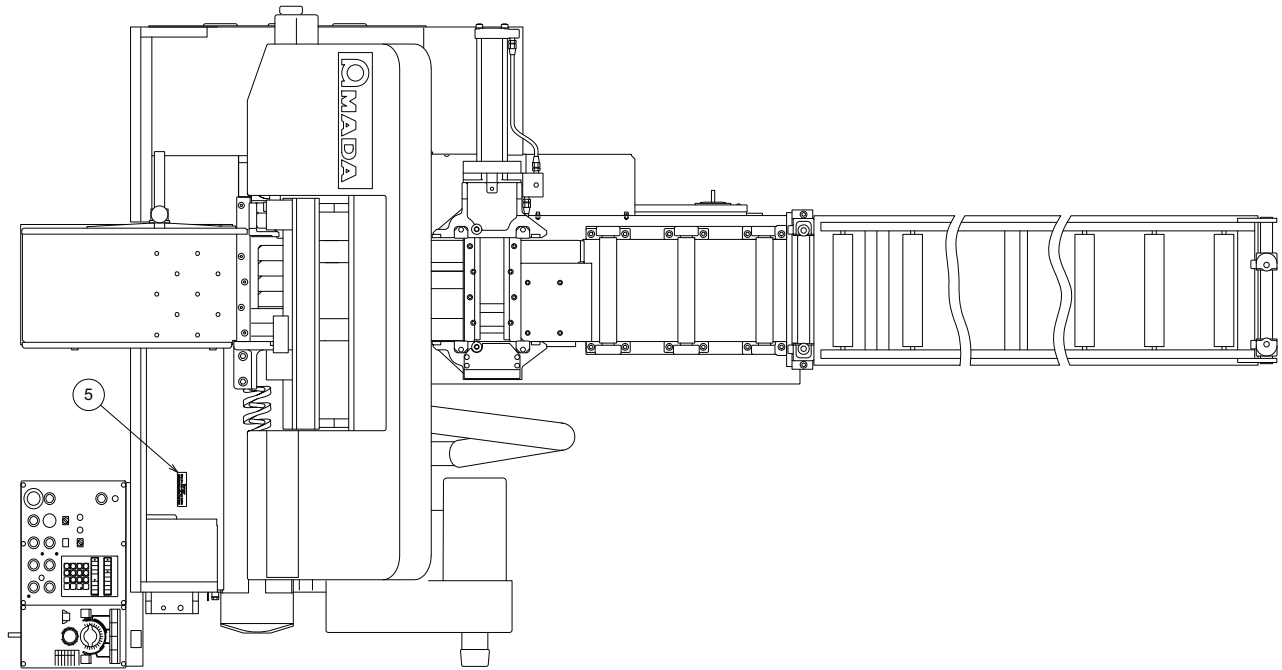
Index	Code	Parts Name	Drawing No.	Type	Maker	Q'ty	Note
1	10300995	Serial Plate	RB01171--B			1	for 27mm
1	10300996	Serial Plate	RB01172--B			1	for 34mm
2	10301054	CE Mark Plate	RB01281---			1	
3	10375027	Drive Screw	P339100002	NO.2X4.8	Tokyo Byora	8	
4	10300429	Caution Plate	RB00343---			1	
5	10300479	Caution Plate	RB00410---			1	

Unit No. 7
Name Plate(7)-1/5 <AS>



RB01183---

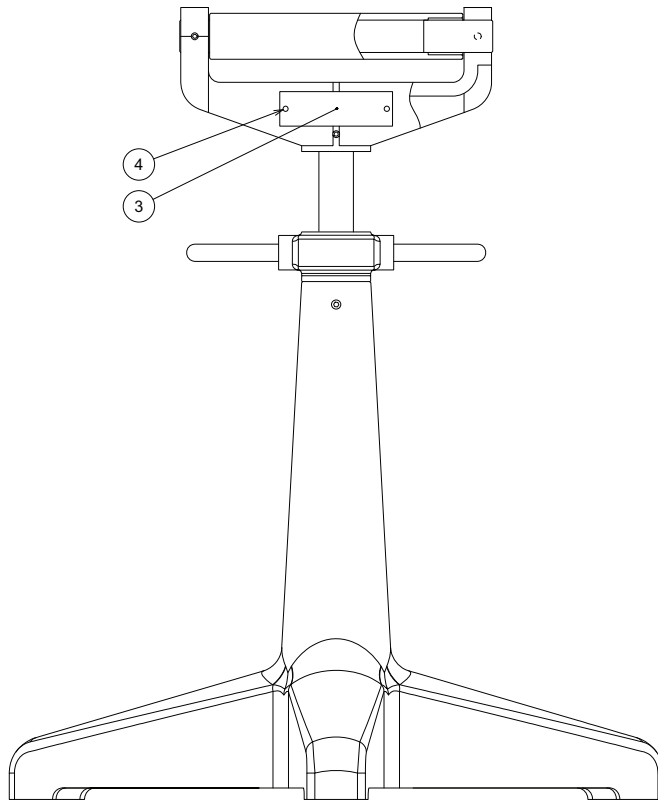
Unit No. 7
Name Plate(7)-2/5 <AS>



VIEW A

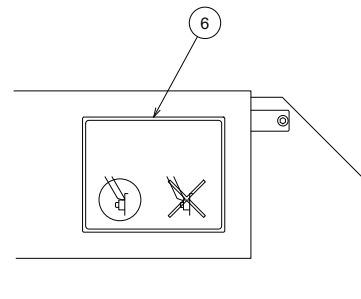
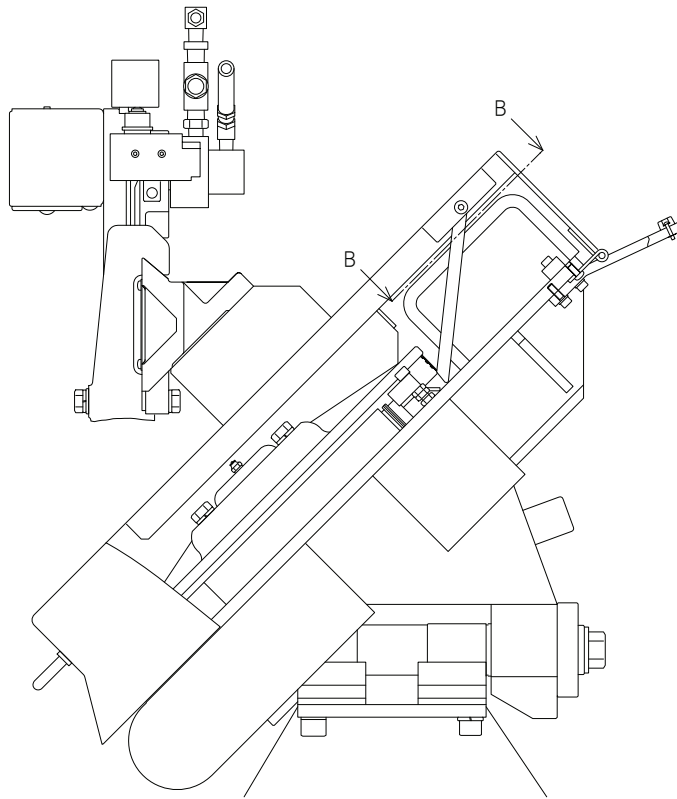
RB01183---

Unit No. 7
Name Plate(7)-3/5 <AS>



RB01205--A
(RB00840--A)

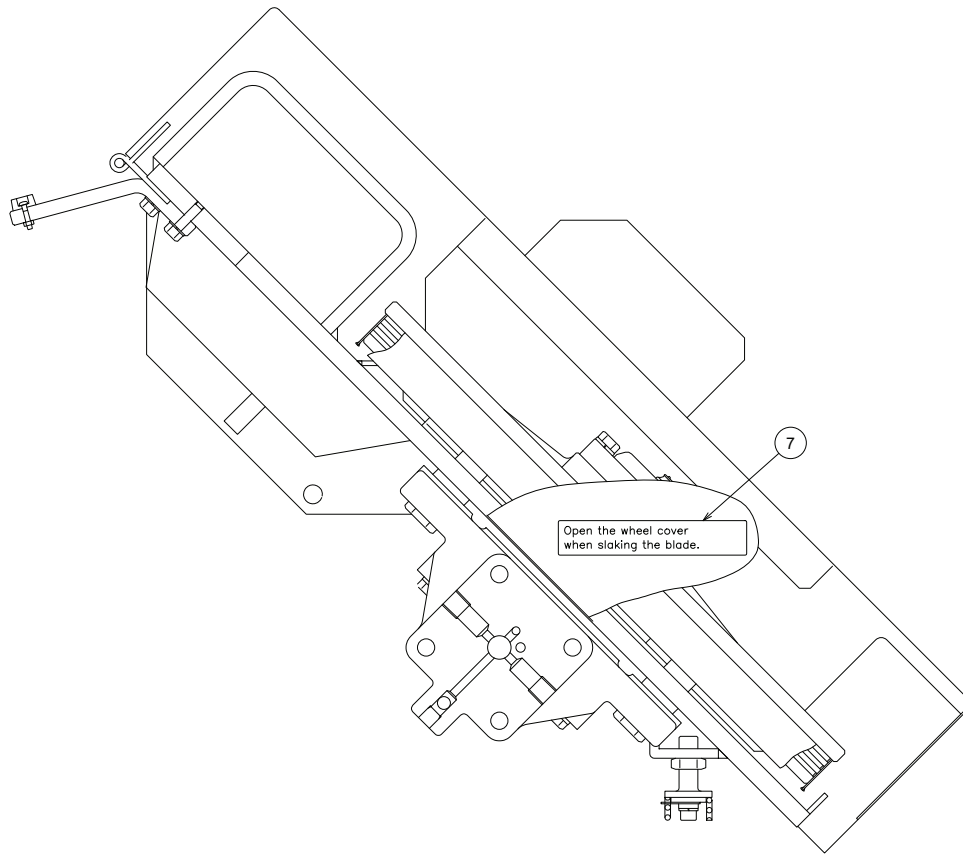
Unit No. 7
Name Plate(7)-4/5 <AS>



SECTION B-B

RB01205--A
(RB00350--A)

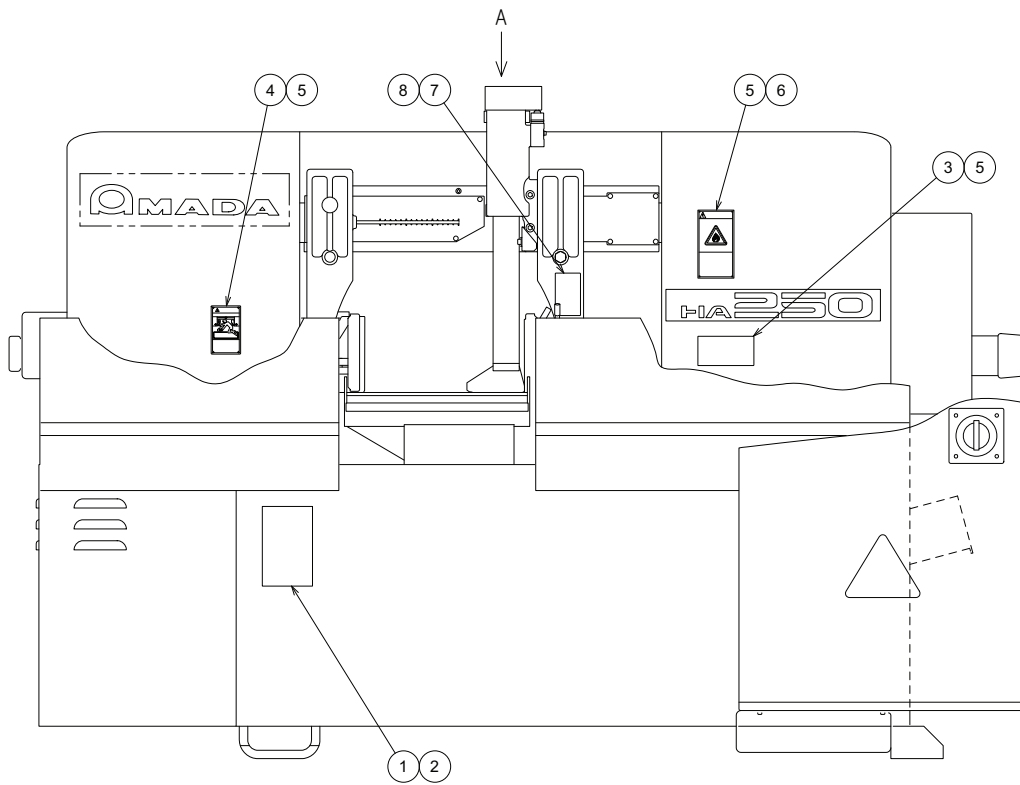
Unit No. 7
Name Plate(7)-5/5 <AS>



Unit No. 7
Name Plate(7)

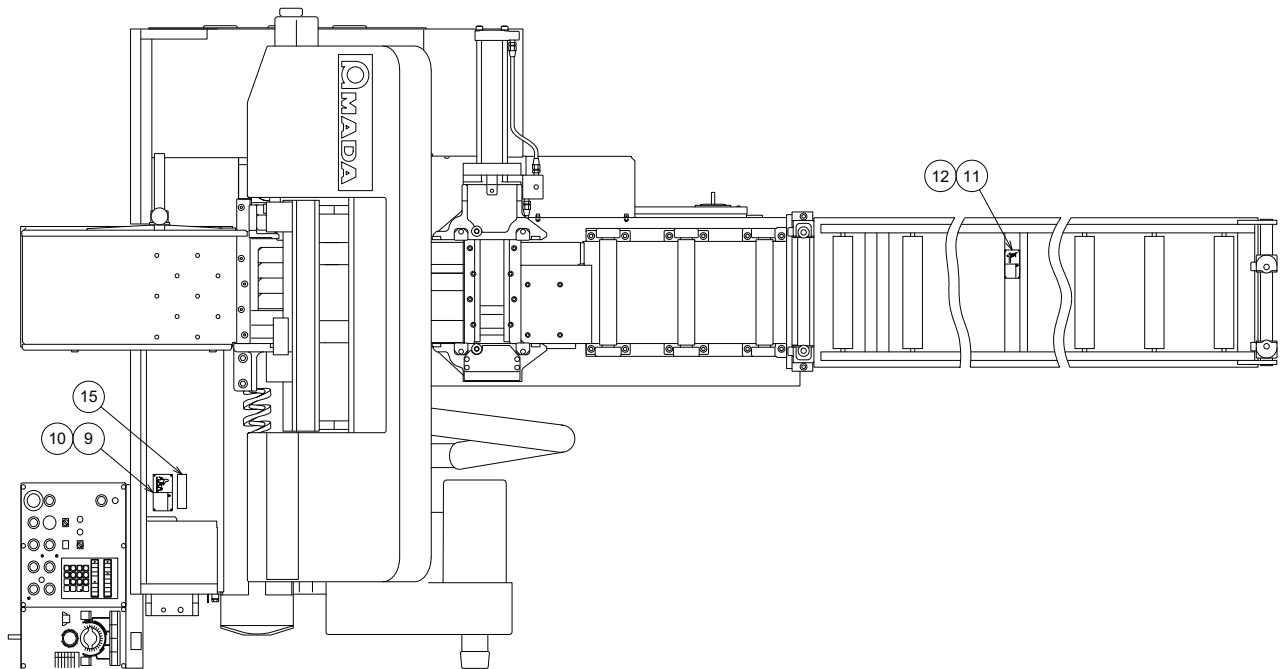
Index	Code	Parts Name	Drawing No.	Type	Maker	Q'ty	Note
1	10300995	Serial Plate	RB01171--B			1	for 27mm
1	10300996	Serial Plate	RB01172--B			1	for 34mm
2	10375027	Drive Screw	P339100002	NO.2X4.8	Tokyo Byora	4	
3	10300847	Caution Plate	RB00839---			1	
4	10375027	Drive Screw	P339100002	NO.2X4.8	Tokyo Byora	2	
5	10300877	Caution Plate	RB00871---			1	
6	10300429	Caution Plate	RB00343---			1	
7	10300479	Caution Plate	RB00410---			1	

Unit No. 8
Name Plate(8)-1/5 <CHI>



RB01210---

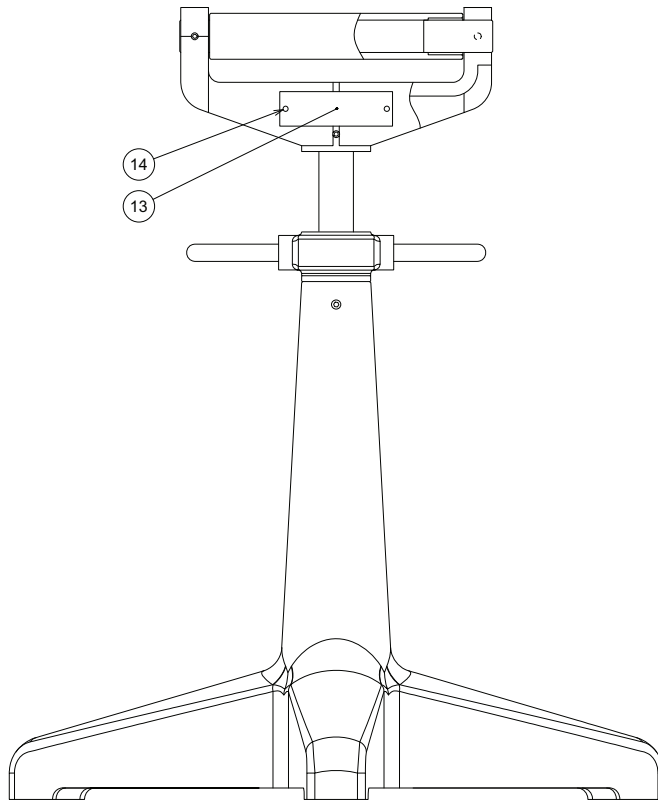
Unit No. 8
Name Plate(8)-2/5 <CHI>



VIEW A

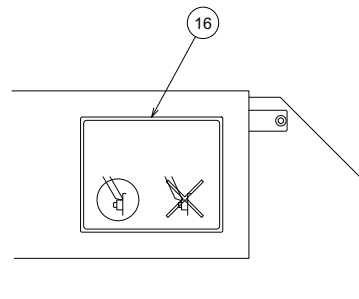
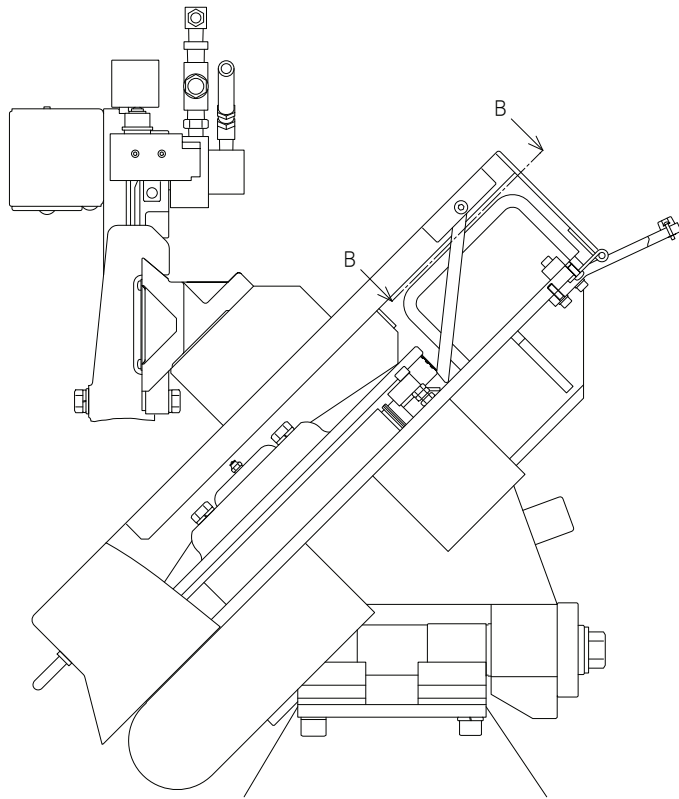
RB01210---

Unit No. 8
Name Plate(8)-3/5 <CHI>



RB01210---
(RB00840--A)

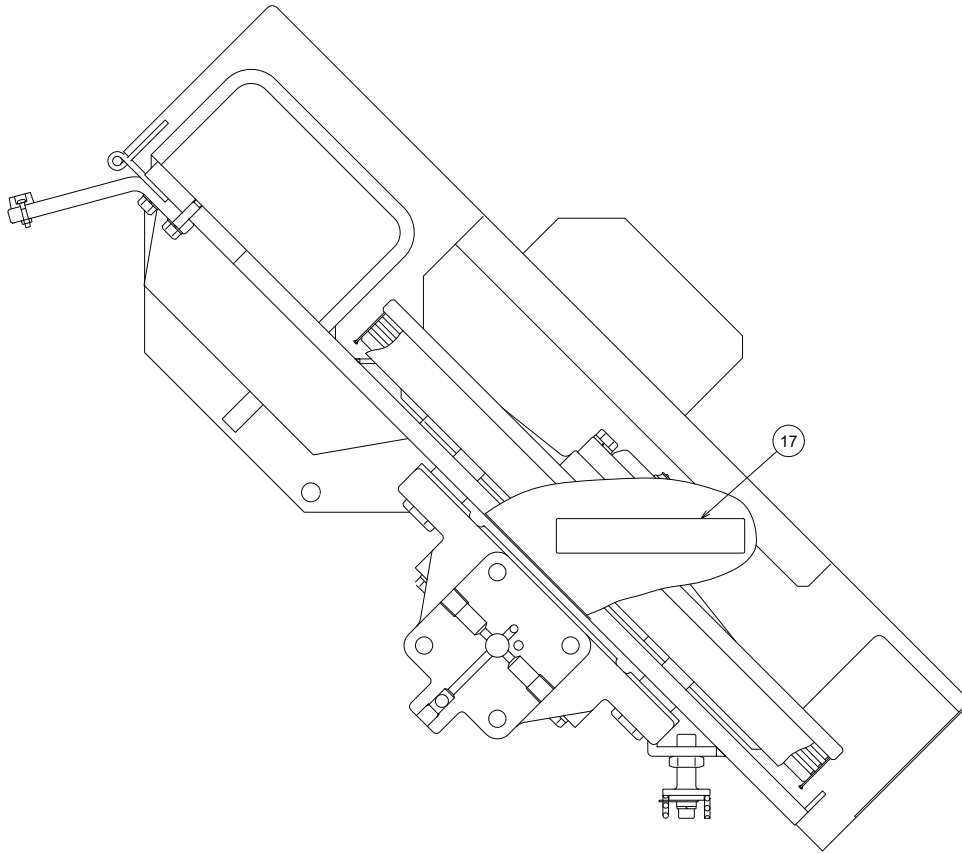
Unit No. 8
Name Plate(8)-4/5 <CHI>



SECTION B-B

RB01210---
(RB00350--A)

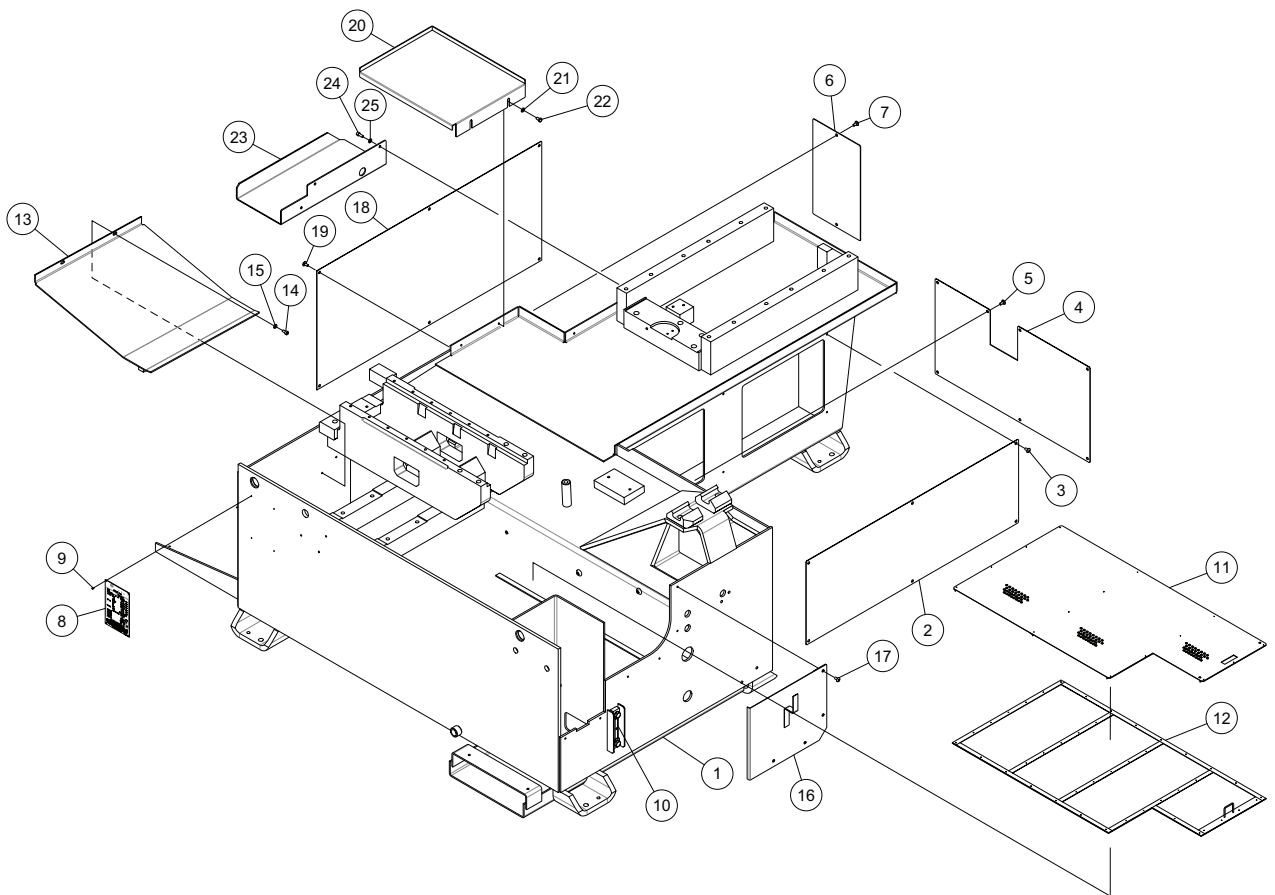
Unit No. 8
Name Plate(8)-5/5 <CHI>



Unit No. 8
Name Plate(8)

Index	Code	Parts Name	Drawing No.	Type	Maker	Q'ty	Note
1	10301030	Serial Plate	RB01211---			1	for 27mm
1	10301031	Serial Plate	RB01212---			1	for 34mm
2	10375027	Drive Screw	P339100002	NO.2X4.8	Tokyo Byora	4	
3	10300084	Warning Plate	1109432			1	
4	10300086	Warning Plate	1109435			1	
5	10345260	Blind Rivet	P339208002	NSA3-2	LOBTEX	12	
6	10300088	Warning Plate	1109441			1	
7	10300087	Warning Plate	1109436			1	
8	10375027	Drive Screw	P339100002	NO.2X4.8	Tokyo Byora	4	
9	10300089	Warning Plate	1109442			1	
10	10345260	Blind Rivet	P339208002	NSA3-2	LOBTEX	4	
11	10300085	Warning Plate	1109434			1	
12	10375027	Drive Screw	P339100002	NO.2X4.8	Tokyo Byora	4	
13	10300095	Caution Plate	1109926			1	
14	10375027	Drive Screw	P339100002	NO.2X4.8	Tokyo Byora	2	
15	10300090	Sticker	1109443			1	
16	10300430	Caution Plate	RB00344---			1	
17	10300091	Caution Plate	1109452			1	

Unit No. 9
Machine Body(1) <Oil Pan>



RB00200--B

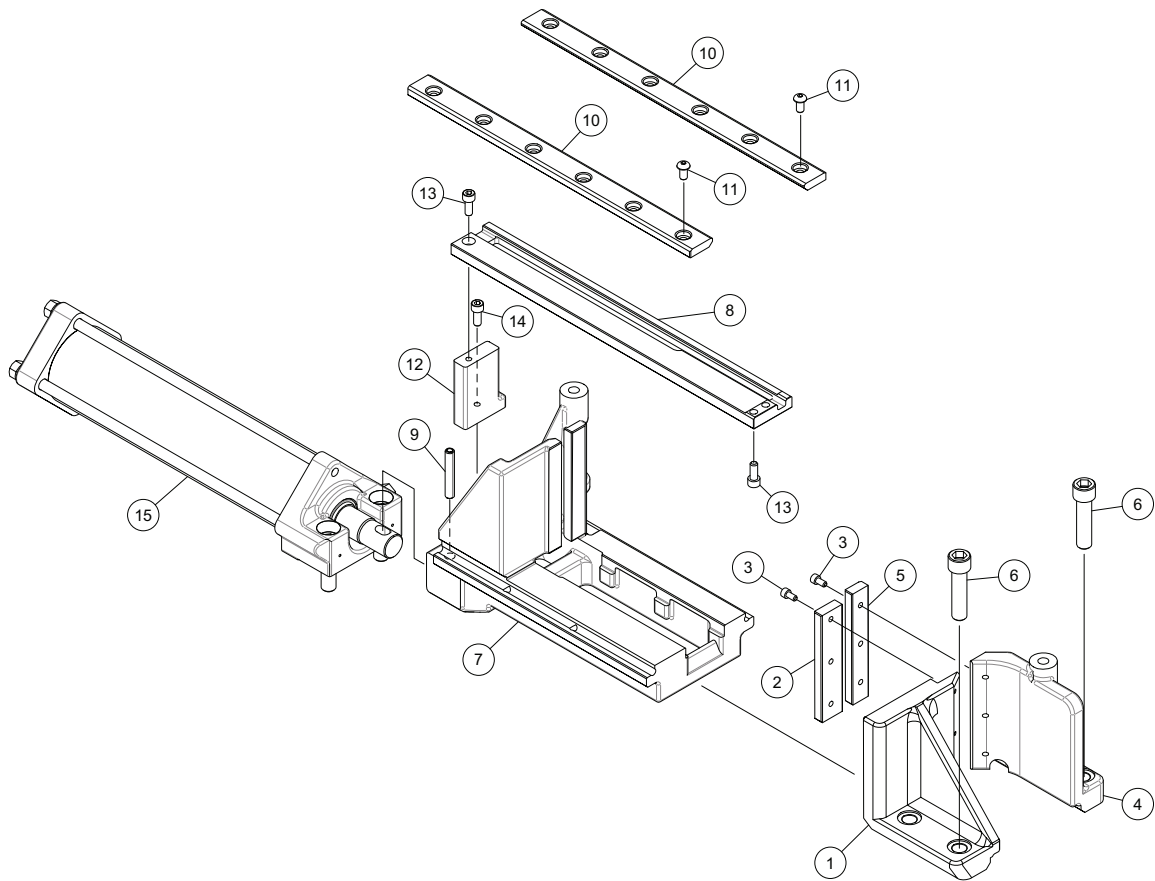
Unit No. 9
Machine Body(1)

Index	Code	Parts Name	Drawing No.	Type	Maker	Q'ty	Note
1	10300332	Oil Pan	RB00202--B			1	
2	10300333	Side Cover R	RB00203---			1	
3	10340019	Truss Head Screw	P334130012	M6X12	JIS	6	
4	10300334	Rear Cover R	RB00204---			1	
5	10340019	Truss Head Screw	P334130012	M6X12	JIS	7	
6	10300335	Rear Cover L	RB00205---			1	
7	10340019	Truss Head Screw	P334130012	M6X12	JIS	2	
8	10300336	Serial Plate	RB00206--C			1	
9	10375027	Drive Screw	P339100002	NO.2X4.8	Tokyo Byora	4	
10	10580109	Level Gauge	P600108033	KLA-100SN-A (Float : Red)	KYOWA	1	
11	10300337	Plate	RB00208---			1	
12	10300338	Wire Net	RB00209---			1	
13	10300339	Chip Chute	RB00210---			1	
14	10375811	Hex Socket Cap Screw	P330220028	M6X12-A2-70-SUS304	MOURI	2	
15	10300142	Washer	P336000062	6(Polished Round)-SUS304	JIS	2	
16	10300340	Hose Hanger	RB00211--A			1	
17	10340019	Truss Head Screw	P334130012	M6X12	JIS	4	
18	10300343	Cover	RB00212---			1	
19	10340019	Truss Head Screw	P334130012	M6X12	JIS	6	

Unit No. 9
Machine Body(1)

Index	Code	Parts Name	Drawing No.	Type	Maker	Q'ty	Note
20	10300344	Water Support	RB00213---			1	
21	10321922	Washer	P336000005	6(Normal)	JIS	2	
22	10325407	Bolt	P330020003	M6X12	JIS	2	
23	10300345	Cover	RB00214---			1	
24	10323204	Hex Socket Cap Screw	P330220007	M6X16	JIS	2	
25	10310351	Spring Washer	P336050005	6	JIS	2	
26	10300222	Flexible Conduit	P869028118	CTUB22-1.3M	MISUMI	1	List Only
27	10300220	Flexible Conduit	P869028116	CTUB22-0.95M	MISUMI	3	List Only
28	10300221	Flexible Conduit	P869028117	CTUB22-0.5M	MISUMI	2	List Only
29	10300223	Flexible Conduit	P869028122	CTUB13-0.7M	MISUMI	1	List Only
30	10589539	Flexible Conduit	P869028121	CTUB13-0.2M	MISUMI	1	List Only
31	10300219	Flexible Conduit	P869028112	CTUB7-0.29M	MISUMI	1	List Only
32	10343764	Bolt	P330050011	M12X60(All-thread)	MOURI	6	List Only
33	10589227	Nut	P332000007	M12	JIS	6	List Only

Unit No. 10
Machine Body(2) <Front View>

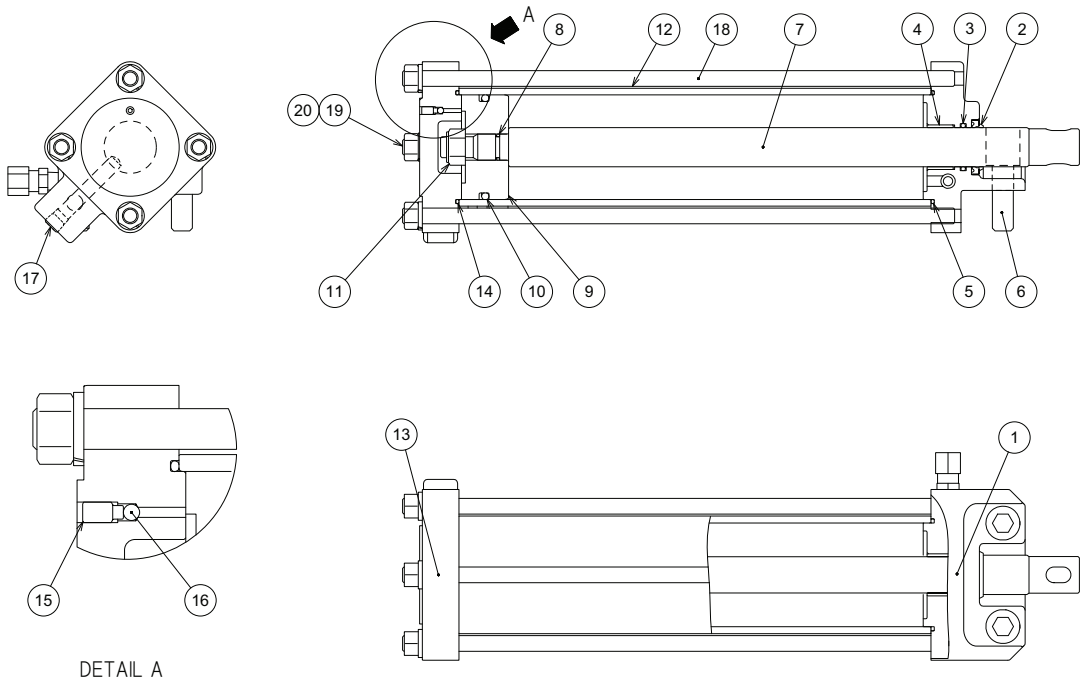


RB00230--A

Unit No. 10
Machine Body(2)

Index	Code	Parts Name	Drawing No.	Type	Maker	Q'ty	Note
1	10300347	Stationary Vise Jaw F	RB00231---			1	
2	10300348	Vise Plate F	RB00232--A			1	
3	10323201	Hex Socket Cap Screw	P330220004	M6X12	JIS	6	
4	10300349	Stationary Vise Jaw R	RB00233---			1	
5	10300350	Vise Plate R	RB00234---			1	
6	10300351	Reamer Bolt	RB00235---			4	
7	10300352	Movable Vise Jaw	RB00236---			1	
8	10300353	Work Receiver	RB00237---			1	
9	10322112	Spring Pin	P337030096	10X60AW	OHKITA	1	
10	10300354	Slide Plate	RB00238---			2	
11	10362314	Button Head Screw	P334500030	M8X16	JIS	12	
12	10300355	Support Base	RB00239---			1	
13	10322202	Hex Socket Cap Screw	P330230006	M8X20		3	
14	10322202	Hex Socket Cap Screw	P330230006	M8X20		1	
15	10300356	Vise Cylinder ASSY	RB00250--A			1	

Unit No. 11
Machine Body(3) <Vise Cylinder>



RB00250--A

Unit No. 11
Machine Body(3)

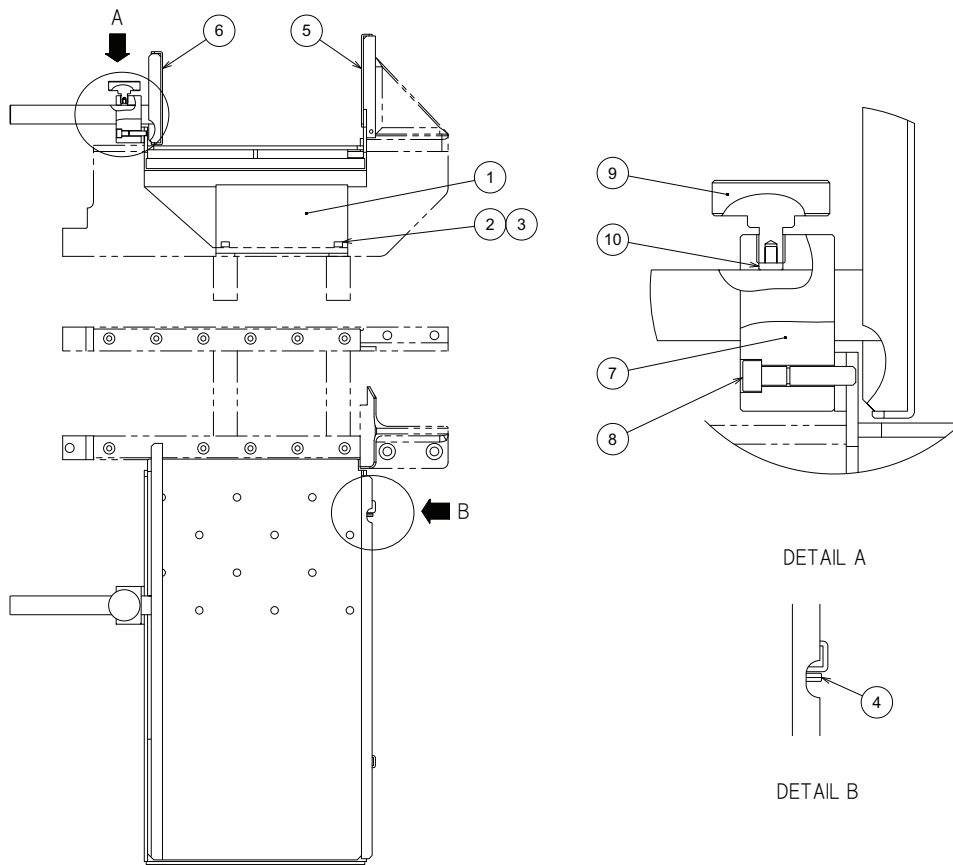
Index	Code	Parts Name	Drawing No.	Type	Maker	Q'ty	Note
1	10300357	Cylinder Cap F	RB00251---			1	
2	10338202	Wiper Ring	P590313004	SCB-30	SAKAGAMI	1	
3	10001123	O Ring	P590000030	P30		1	
4	10300163	Plain Bearing	P407003176	DUB3020	DAIDO METAL	1	
5	10001118	O Ring	P590010012	G80		1	
6	10322205	Hex Socket Cap Screw	P330260034	M16X50		2	
7	10300358	Piston Rod	RB00252---			1	
8	10003901	O Ring	P590000016	P16		1	
9	10300359	Piston	RB00253---			1	
10	10001114	O Ring	P590000061	P70		1	
11	10589242	Locking Nut	P332505044	M16X2(Type-1)-SS400	FUJI SEIMITSU	1	
12	10300360	Cylinder	RB00254---			1	
13	10300361	Cylinder Cap R	RB00255---			1	
14	10001118	O Ring	P590010012	G80		1	
15	10356511	Socket Set Screw	P330570017	M6X12(Dog-end)	JIS	1	
16	10332944	Steel Ball (for Bearing)	P406000002	3/16	JIS	1	
17	10300171	Plug for Piping	P580208021	PT-1/4		1	
18	10300362	Tie Rod	RB00256---			4	
19	10589227	Nut	P332000007	M12	JIS	4	

Unit No. 11

Machine Body(3)

Index	Code	Parts Name	Drawing No.	Type	Maker	Q'ty	Note
20	10000829	Spring Washer	P336050008	12	JIS	4	

Unit No. 12
Machine Body(4) <Work Tray>



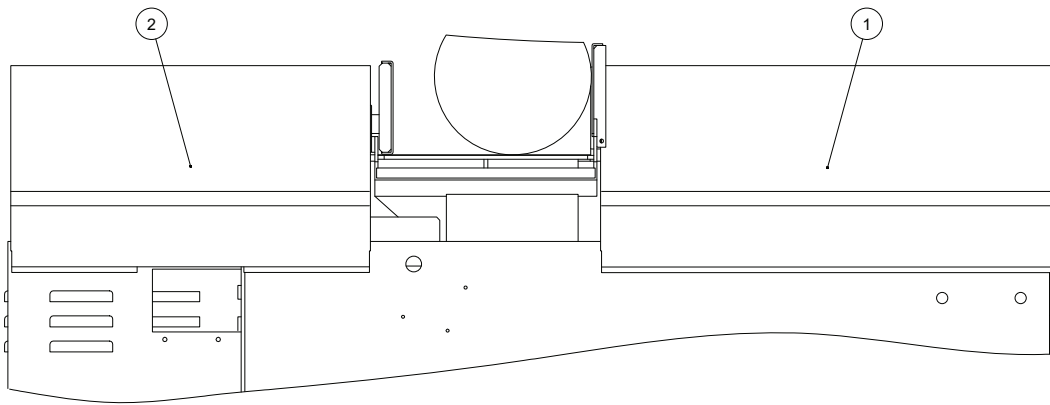
DETAIL A

DETAIL B

Unit No. 12
Machine Body(4)

Index	Code	Parts Name	Drawing No.	Type	Maker	Q'ty	Note
1	10300364	Work Tray	RB00261---			1	
2	10322203	Hex Socket Cap Screw	P330250005	M12X30		4	
3	10382022	Conical Spring Washer	P336040005	1H-12	JIS	4	
4	10339616	Spring Pin	P337030036	5X10AW	JIS	1	
5	10300365	Fence R	RB00262---			1	
6	10300366	Fence L	RB00263---			1	
7	10300367	Bracket	RB00264---			1	
8	10323207	Hex Socket Cap Screw	P330230010	M8X40		2	
9	10300368	Lock Handle	RB00265---			1	
10	10300369	Lock Piece	RB00266---			1	

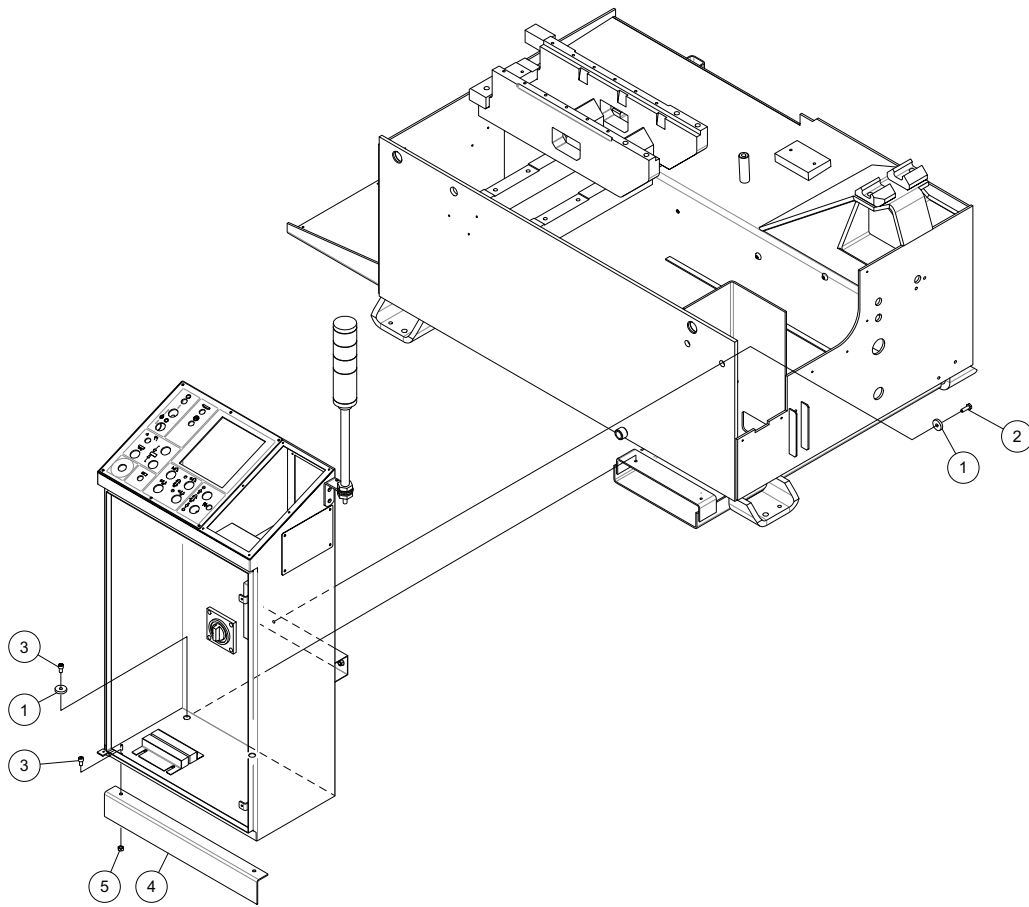
Unit No. 13
Machine Body(5) <Splash Guard>



Unit No. 13
Machine Body(5)

Index	Code	Parts Name	Drawing No.	Type	Maker	Q'ty	Note
1	10300371	Splash Guard R	RB00271--A			1	
2	10300372	Splash Guard L	RB00272--B			1	

Unit No. 14
Machine Body(6) <Control Panel Attachment>

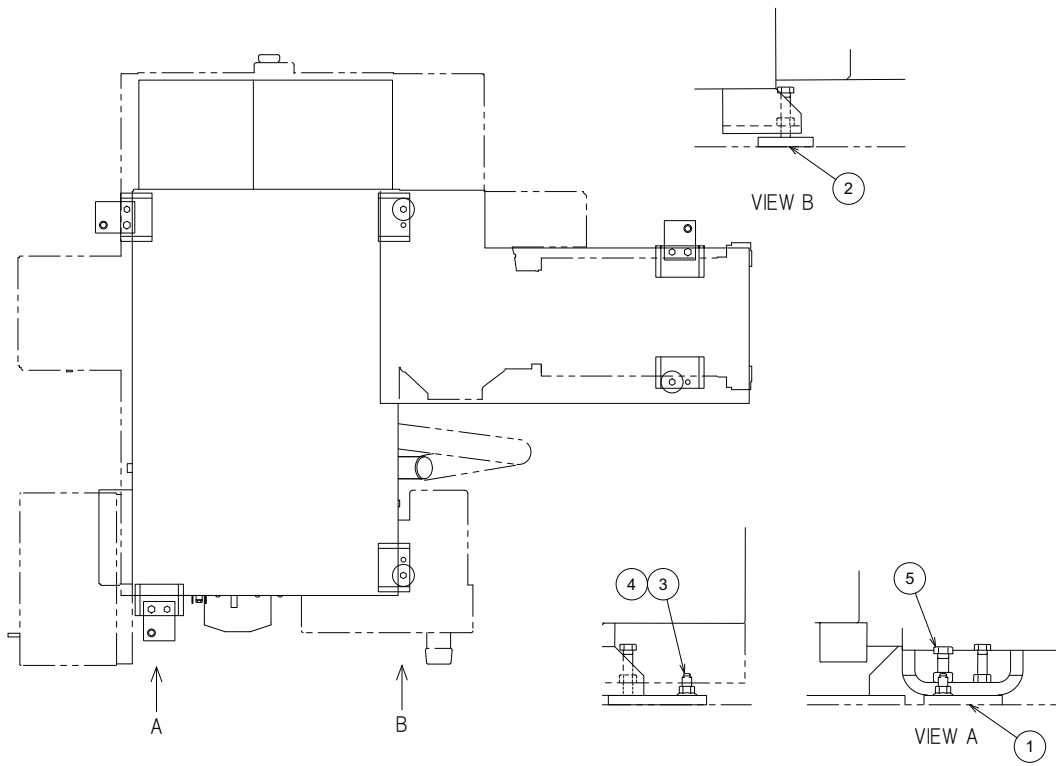


RB00280--A

Unit No. 14
Machine Body(6)

Index	Code	Parts Name	Drawing No.	Type	Maker	Q'ty	Note
1	10300374	Washer	RB00281---			4	
2	10001512	Bolt	P330030007	M8X25		2	
3	10342325	Hex Socket Cap Screw	P330230004	M8X15		4	
4	10300375	Cover	RB00282---			1	
5	10589226	Nut	P332000005	M8	JIS	2	

Unit No. 15
Wedge-type Anchor Bolt



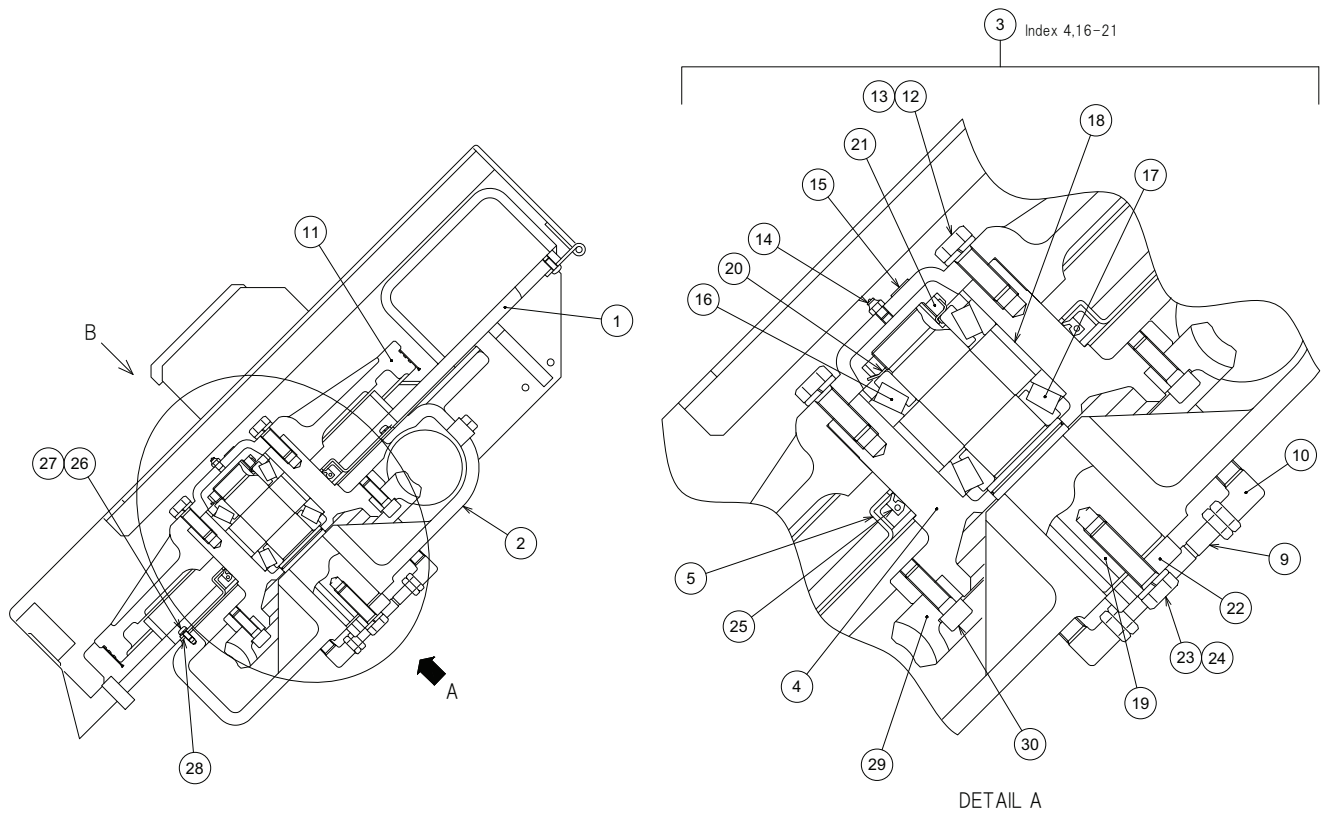
RB01040---

Unit No. 15

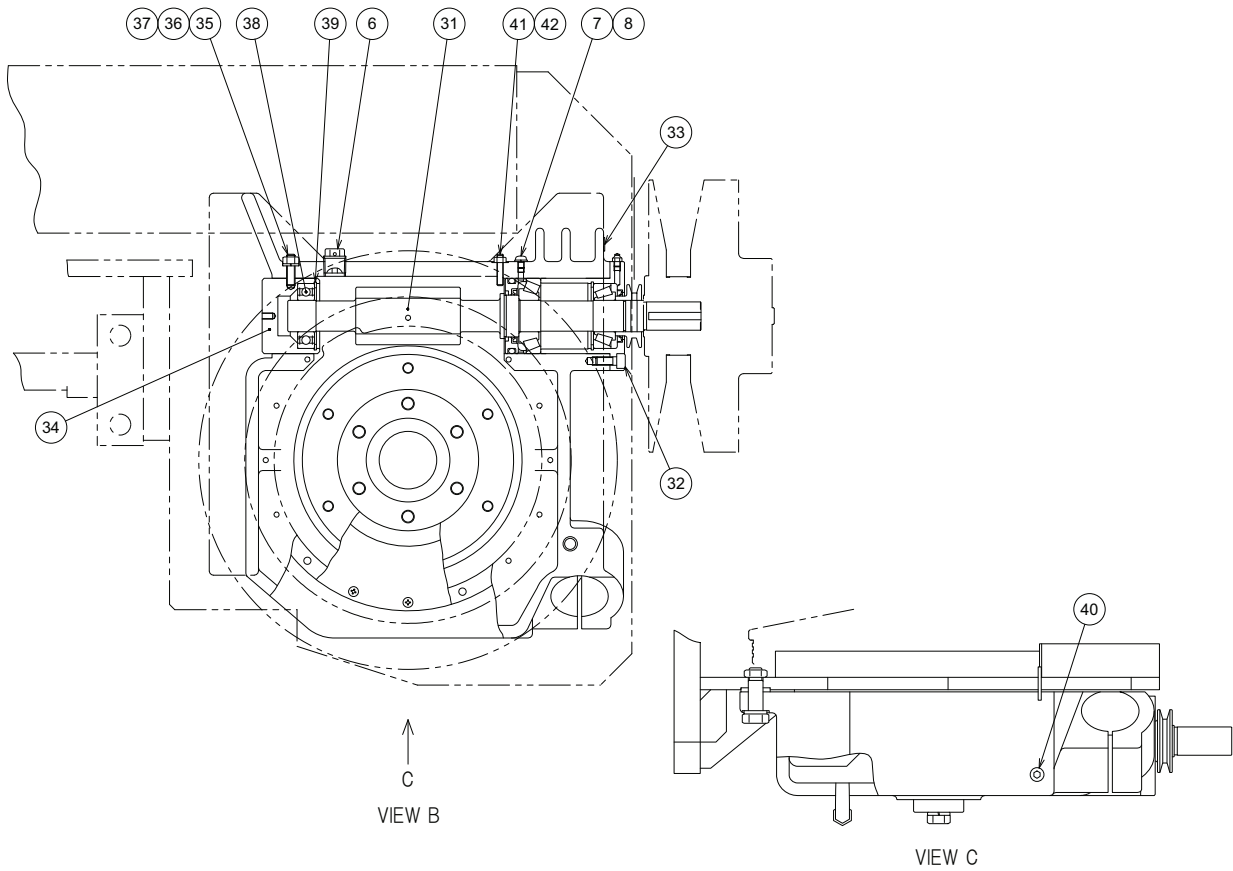
Wedge-type Anchor Bolt

Index	Code	Parts Name	Drawing No.	Type	Maker	Q'ty	Note
1	10300960	Anchor Plate	RB01041---			3	
2	10300961	Table Support	RB01042---			3	
3	10376113	Bolt	P330060009	M14X65(All-thread)		3	
4	10000826	Nut	P332000008	M14	JIS	3	
5	10589309	Anchor	P338213005	C-1290	SANKO Technology	3	

Unit No. 16
Drive Wheel Speed Reducer(1)-1/2



Unit No. 16
Drive Wheel Speed Reducer(1)-2/2



Unit No. 16

Drive Wheel Speed Reducer(1)

Index	Code	Parts Name	Drawing No.	Type	Maker	Q'ty	Note
1	10300395	Housing Yoke	RB00302--B			1	
2	10300398	Hinge Bracket	RB00303---			1	
3	10302083	Housing ASSY	SBS0116---	RB00304---A, RB00310---, RB00312--- others		1	with Index 4,16-21
4	10300399	Housing	RB00304--A			1	
5	10300400	Cover	RB00305---			1	
6	10300401	Air Breather	RB00306---			1	
7	10322227	Pan Head Screw	P334100053	M6X8	JIS	1	
8	10310351	Spring Washer	P336050005	6	JIS	1	
9	10300402	Level Hose	RB00307---	U2-4-10X6.5		1	
10	10376536	Bite Type Pipe Fitting	P585564042	L4N10X6.5-PT1/4	NITTA MOORE	2	
11	10300403	Drive Wheel	RB00308---			1	
12	10338219	Bolt	P330050003	M12X30		6	
13	10000829	Spring Washer	P336050008	12	JIS	6	
14	10419913	Grease Nipple	P560600002	A-MT6X1	JIS	1	
15	10300404	Name Plate	RB00309---			1	
16	10300405	Adjusting Collar	RB00310---	D82.6X4		1	
17	10300152	Taper Roller Bearing	P402010539	HR32208J	NSK(equality)	2	
18	10300406	Distance Collar	RB00311---			1	
19	10300407	Wheel Shaft	RB00312---			1	

Unit No. 16

Drive Wheel Speed Reducer(1)

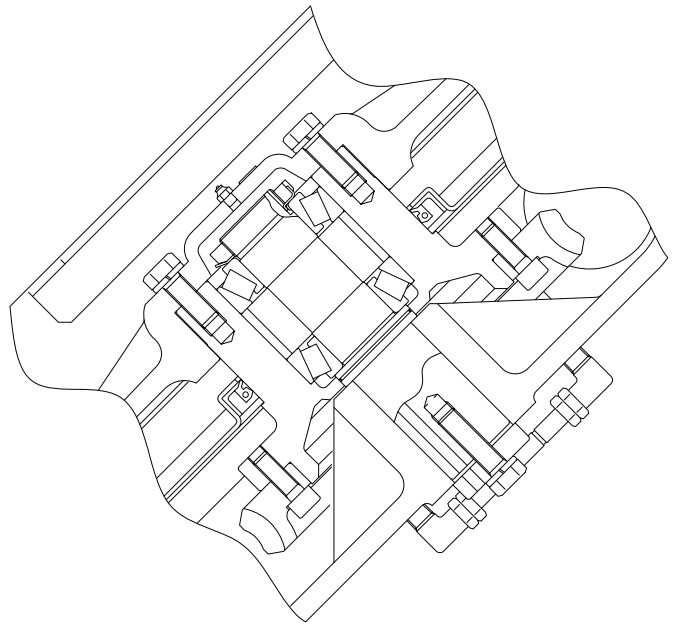
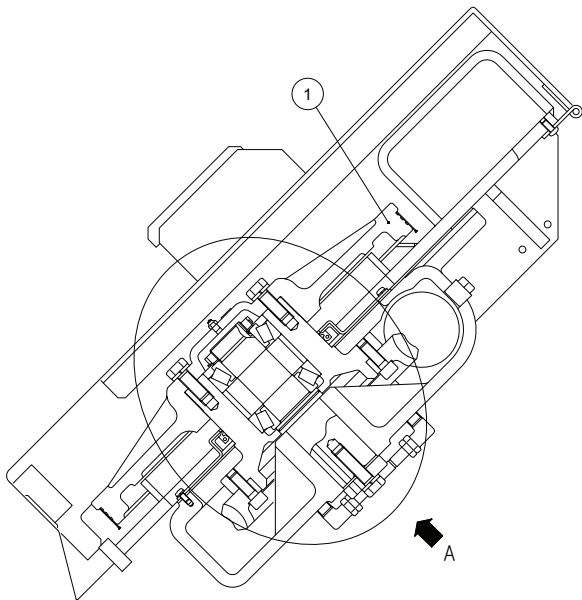
Index	Code	Parts Name	Drawing No.	Type	Maker	Q'ty	Note
20	10300158	Locking Washer	P406040007	AW-08	JIS	1	
21	10300157	Lock Nut	P406030007	AN-08	JIS	1	
22	10300408	Washer	RB00313---			1	
23	10369311	Bolt	P330050006	M12X45		1	
24	10000829	Spring Washer	P336050008	12	JIS	1	
25	10356011	Oil Seal	P590112004	TB13016014	NOK	1	
26	10322224	Pan Head Screw	P334100039	M5X10	JIS	14	
27	10322215	Spring Washer	P336050004	5	JIS	14	
28	10300409	Rubber Packing	RB00314---			1	
29	10300410	Worm Wheel	RB00315--A			1	
30	10322207	Hex Socket Cap Screw	P330240008	M10X30		6	
31	10300413	Worm Jig ASSY	RB00318--A			1	
32	10322202	Hex Socket Cap Screw	P330230006	M8X20		4	
33	10300404	Name Plate	RB00309---			1	
34	10300415	Bearing Case	RB00320---			1	
35	10300137	Socket Set Screw	P330550043	M8X30(Flat Type)	JIS	1	
36	10589226	Nut	P332000005	M8	JIS	1	
37	10001521	Spring Washer	P336050006	8	JIS	1	
38	10300151	Deep Groove Ball Bearing	P400010739	6206VV	NSK(equality)	1	

Unit No. 16

Drive Wheel Speed Reducer(1)

Index	Code	Parts Name	Drawing No.	Type	Maker	Q'ty	Note
39	10382058	Locating Snap Ring	P406100062	for Shaft C (Concentricity)-62		1	
40	10300171	Plug for Piping	P580208021	PT-1/4		1	
41	10300136	Socket Set Screw	P330550033	M6X30(Flat Type)	JIS	1	
42	10310352	Nut	P332000071	M6(Type-1)	JIS	1	

Unit No. 17
Drive Wheel Speed Reducer(2) <HA250W>



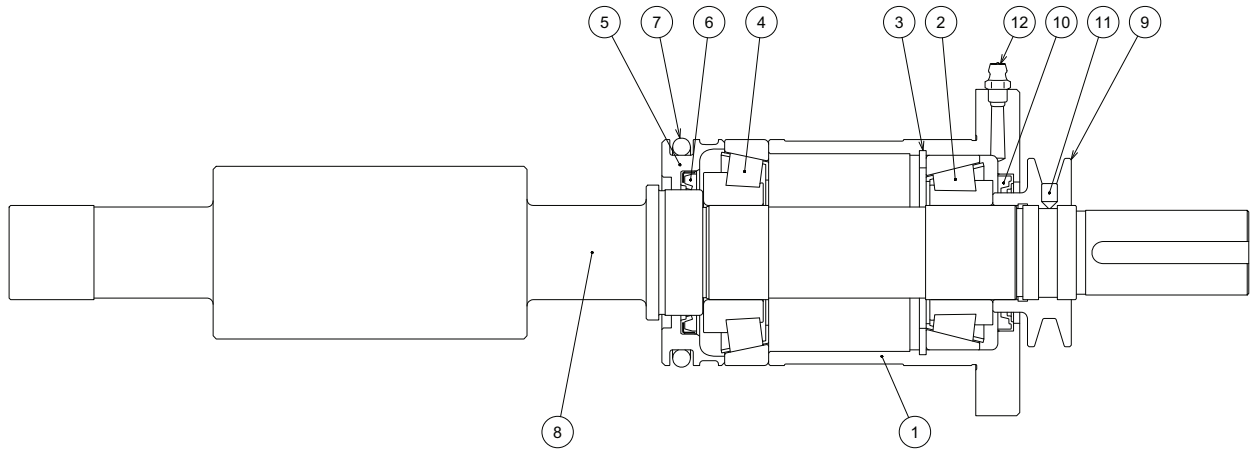
DETAIL A

Unit No. 17

Drive Wheel Speed Reducer(2)

Index	Code	Parts Name	Drawing No.	Type	Maker	Q'ty	Note
1	10300927	Drive Wheel	RB00981---			1	

Unit No. 18
Drive Wheel Speed Reducer(3) <Worm Jig>



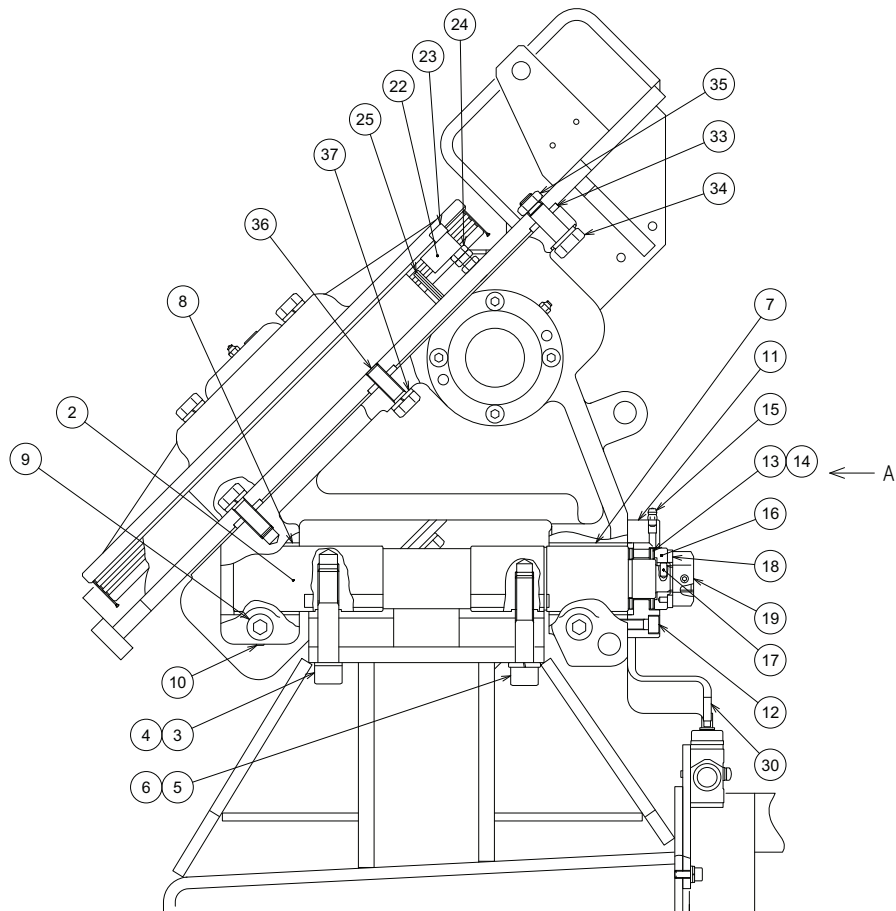
RB00318--A

Unit No. 18

Drive Wheel Speed Reducer(3)

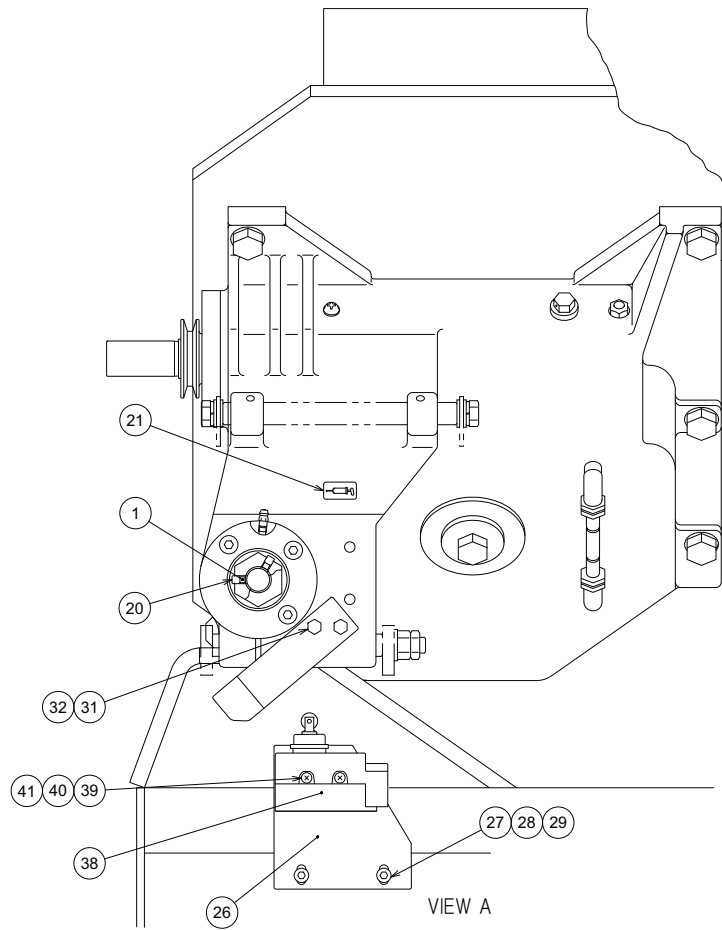
Index	Code	Parts Name	Drawing No.	Type	Maker	Q'ty	Note
1	10300412	Bearing Case	RB00317---			1	
2	10300153	Taper Roller Bearing	P402010540	HR32206J	NSK(equality)	1	
3	10300159	Locating Snap Ring	P406100052	Hole C-62	JIS	1	
4	10300155	Taper Roller Bearing	P402010550	30306DG5	NSK(equality)	1	
5	10300414	Bearing Support	RB00319---			1	
6	10382061	Oil Seal	P590122024	VC04005205	NOK	1	
7	10382062	O Ring	P590000057	P62		1	
8	10300411	Worm	RB00316--A			1	
9	10300416	Wire Brush Pulley	RB00321---			1	
10	10386220	Oil Seal	P590122023	VB03805005	NOK	1	
11	10324223	Socket Set Screw	P330580013	M5X8(Sharp Type)	JIS	2	
12	10332918	Grease Nipple	P560600001	A-M6F		1	

Unit No. 19
Drive Wheel Speed Reducer(4)-1/2 <Hinge>



RB00330---

Unit No. 19
Drive Wheel Speed Reducer(4)-2/2 <Hinge>



Unit No. 19

Drive Wheel Speed Reducer(4)

Index	Code	Parts Name	Drawing No.	Type	Maker	Q'ty	Note
1	10300418	Clamp Piece	RB00331---			2	
2	10300419	Hinge Pin	RB00332--A			1	
3	10300420	Reamer Bolt	RB00333---			1	
4	10322153	Conical Spring Washer	P336165005	CDW-16H	HHK	1	
5	10376723	Hex Socket Cap Screw	P330260012	M14X70	JIS	1	
6	10000825	Spring Washer	P336050009	14	JIS	1	
7	10300164	Plain Bearing	P407003182	DUB5060	DAIDO METAL	1	
8	10300165	Plain Bearing	P407003208	DUB5050	DAIDO METAL	1	
9	10328331	Hex Socket Cap Screw	P330250007	M12X40		2	
10	10329309	Socket Set Screw	P330550025	M6X8(Flat Type)	JIS	2	
11	10300421	Bearing Support	RB00334---			1	
12	10323202	Hex Socket Cap Screw	P330230007	M8X25		3	
13	10376512	Roller Bearing	P402107005	FNTA-3047	NSK	2	
14	10376546	Bearing Ring	P406120506	FTRA-3047	NSK	4	
15	10332918	Grease Nipple	P560600001	A-M6F		1	
16	10300422	Bearing Cap	RB00335---			1	
17	10376471	Parallel Pin	P337020022	A-5X10	JIS	1	
18	10442743	Washer	P336000014	24(Normal)	JIS	1	
19	10300423	Nut	RB00336---	M20		1	

Unit No. 19

Drive Wheel Speed Reducer(4)

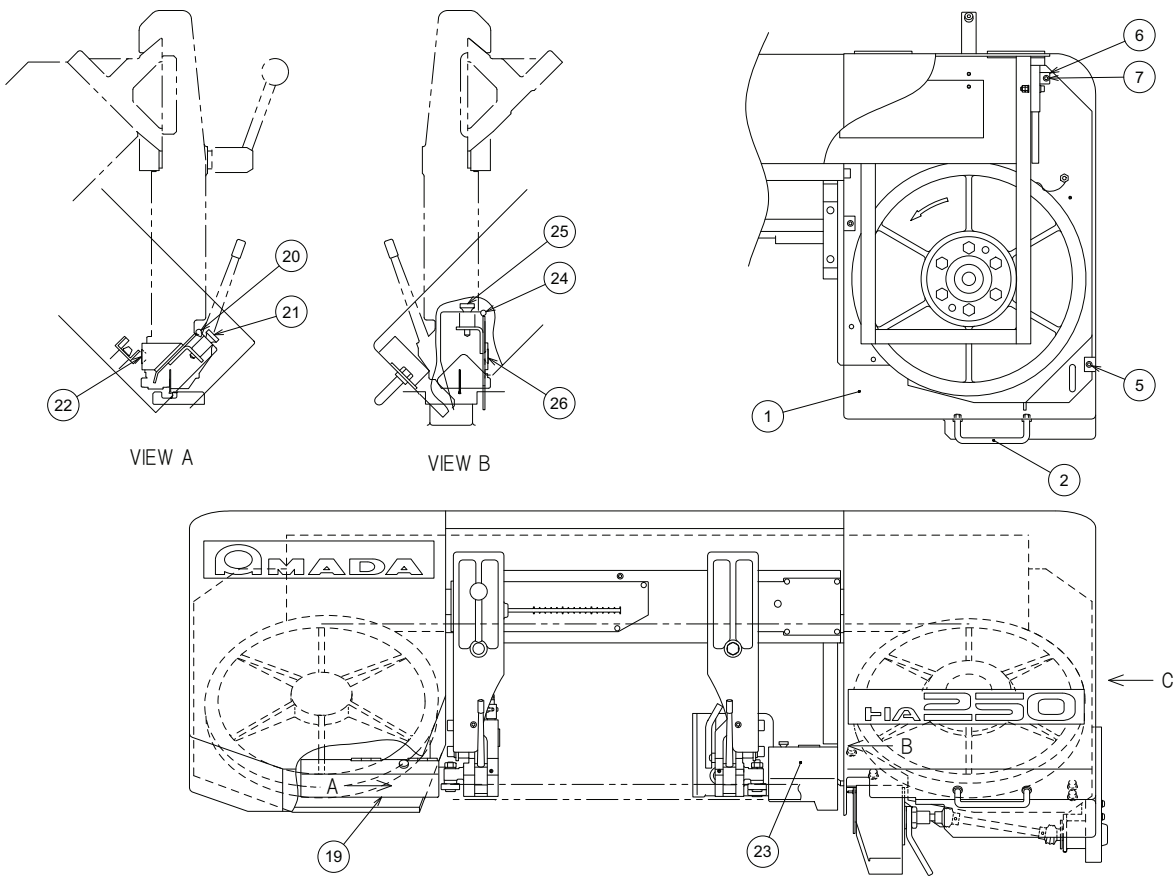
Index	Code	Parts Name	Drawing No.	Type	Maker	Q'ty	Note
20	10322119	Socket Set Screw	P330550024	M6X6(Flat Type)	JIS	2	
21	10300404	Name Plate	RB00309---			1	
22	10300424	Spring Holder	RB00338---			1	
23	10323203	Hex Socket Cap Screw	P330230011	M8X45		1	
24	10323101	Nut	P332000062	M8(Type-3)	JIS	3	
25	10355918	Spring Pin	P337030049	5X40AW	JIS	1	
26	10300425	LS Bracket	RB00339--A			1	
27	10312831	Hex Socket Cap Screw	P330220006	M6X15		2	
28	10321922	Washer	P336000005	6(Normal)	JIS	2	
29	10310351	Spring Washer	P336050005	6	JIS	2	
30	10300426	LS Dog	RB00340---			1	
31	10325407	Bolt	P330020003	M6X12	JIS	2	
32	10310351	Spring Washer	P336050005	6	JIS	2	
33	10300427	Spacer	RB00341---			6	
34	10300428	Reamer Bolt B	RB00342---			2	
35	10382131	Nut	P332000091	M12(Type-3)	JIS	2	
36	10324314	Bolt	P330050004	M12X35		4	
37	10000829	Spring Washer	P336050008	12	JIS	4	
38	10376333	Limit Switch	P828012024	ZE-N22-2	OMRON	1	

Unit No. 19

Drive Wheel Speed Reducer(4)

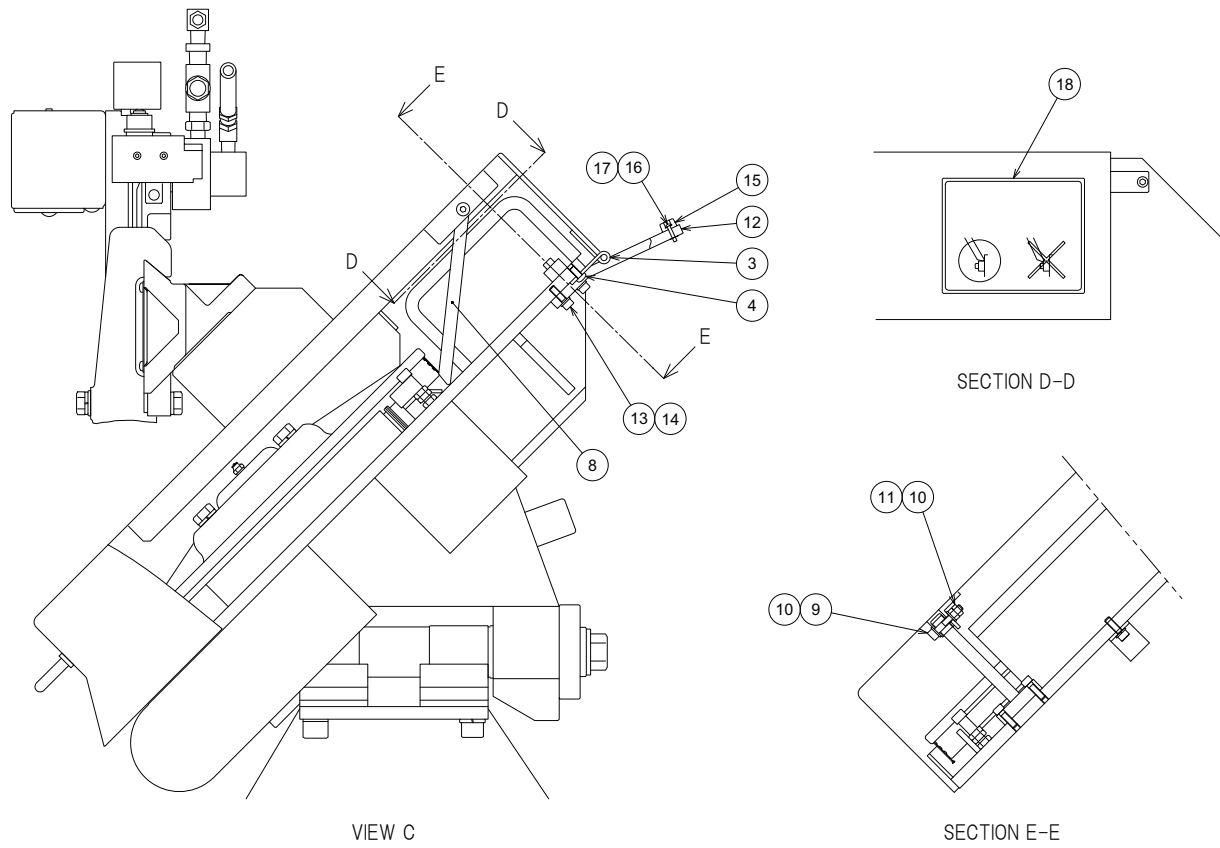
Index	Code	Parts Name	Drawing No.	Type	Maker	Q'ty	Note
39	10328314	Pan Head Screw	P334100027	M4X35	JIS	2	
40	10318527	Spring Washer	P336050003	4	JIS	2	
41	10337110	Washer	P336000003	4(Small Round)	JIS	2	

Unit No. 20
 Drive Wheel Speed Reducer(5)-1/2 <Wheel Cover>



RB00350--A

Unit No. 20
Drive Wheel Speed Reducer(5)-2/2 <Wheel Cover>



Unit No. 20

Drive Wheel Speed Reducer(5)

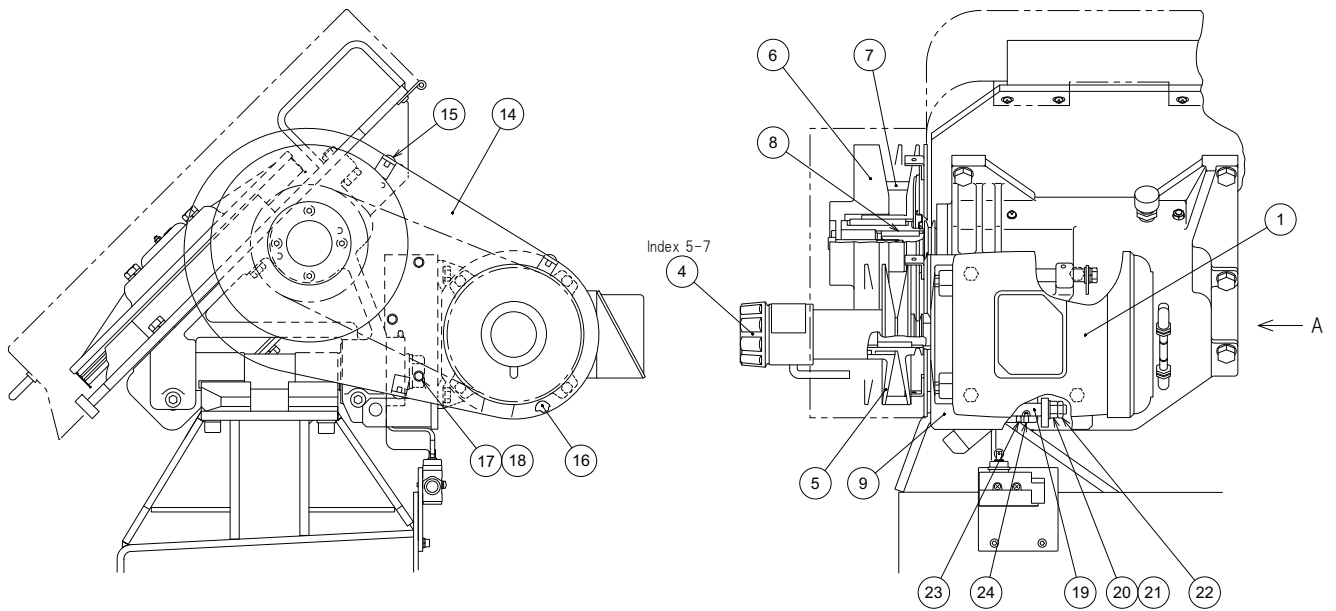
Index	Code	Parts Name	Drawing No.	Type	Maker	Q'ty	Note
1	10300432	Wheel Cover	RB00351--A			1	
2	10323043	Grip	P317122005	A-1042-B-4	TAKIGEN	1	
3	10384345	Hinge	P313312036	B-41-1	TAKIGEN	4	
4	10323225	Truss Head Screw	P334130022	M6X16	JIS	8	
5	10589157	Rubber Support	P229102004	C-30-CS-2	TAKIGEN	4	
6	10300433	Stopper Block	RB00352---			1	
7	10312832	Hex Socket Cap Screw	P330220009	M6X20	JIS	2	
8	10300434	Cover Stay	RB00353---			1	
9	10358819	Hex Socket Cap Screw	P330220013	M6X35		1	
10	10321922	Washer	P336000005	6(Normal)	JIS	2	
11	10589225	Nut	P332000004	M6	JIS	2	
12	10300435	Stopper Plate	RB00354---			1	
13	10312832	Hex Socket Cap Screw	P330220009	M6X20	JIS	2	
14	10321922	Washer	P336000005	6(Normal)	JIS	2	
15	10205822	Rubber Support	P229102003	C-30-RK-15	TAKIGEN	1	
16	10384348	Locating Snap Ring	P406108001	SE-3	IWATA EI	1	
17	10384349	Rivet	P339070009	3X16(Round)Steel	JIS	1	
18	10300436	Caution Plate	RB00355---			1	
19	10300437	Saw Blade Cover L	RB00356---			1	

Unit No. 20

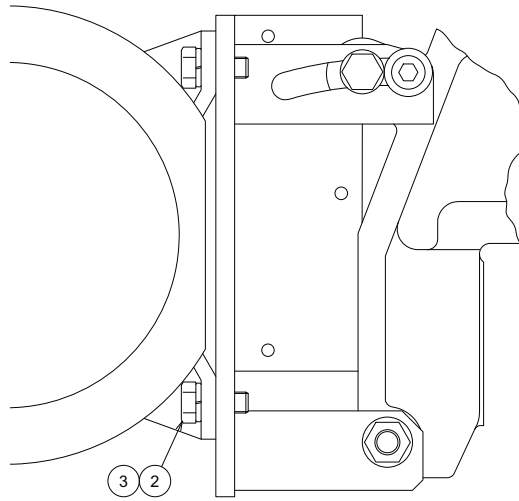
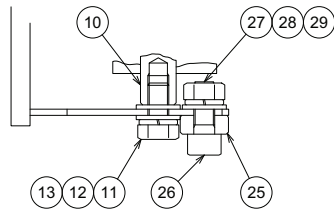
Drive Wheel Speed Reducer(5)

Index	Code	Parts Name	Drawing No.	Type	Maker	Q'ty	Note
20	10450707	Hinge	P313312037	B-102-5	TAKIGEN	2	
21	10356031	Knob	P317212012	A-176-14	TAKIGEN	1	
22	10330114	Flat Head Screw	P334110026	M6X12	JIS	2	
23	10300438	Saw Blade Cover R	RB00357---			1	
24	10450707	Hinge	P313312037	B-102-5	TAKIGEN	1	
25	10356031	Knob	P317212012	A-176-14	TAKIGEN	1	
26	10330114	Flat Head Screw	P334110026	M6X12	JIS	2	

Unit No. 21
Gearbox(1)-1/2



Unit No. 21
Gearbox(1)-2/2



VIEW A

RB00370---

Unit No. 21
Gearbox(1)

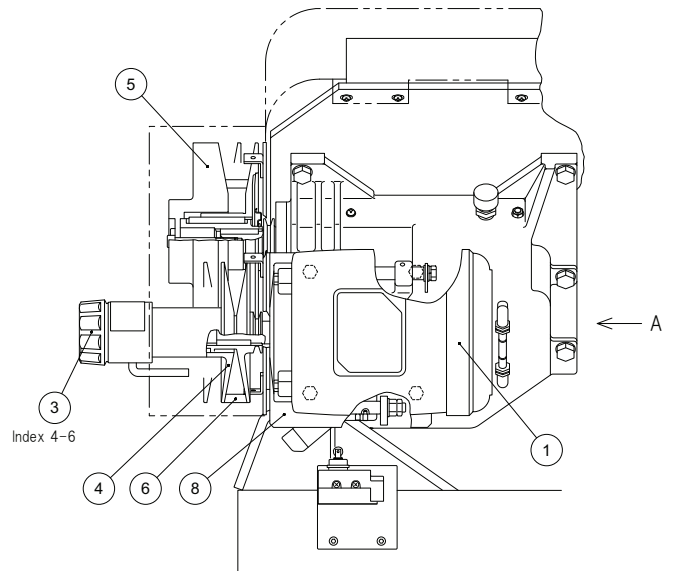
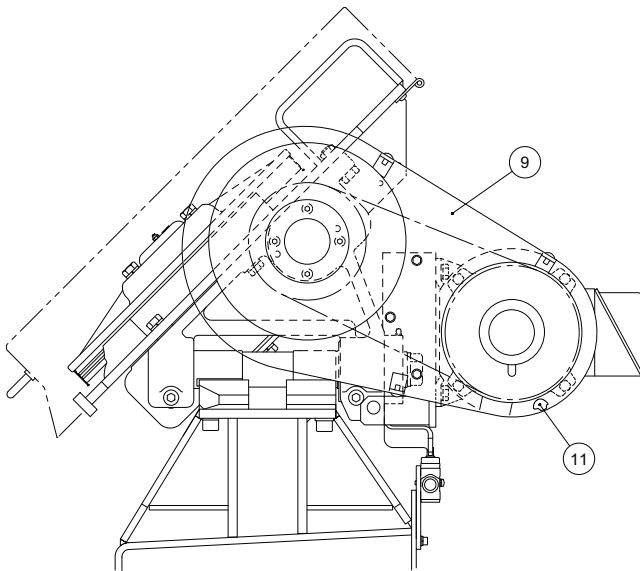
Index	Code	Parts Name	Drawing No.	Type	Maker	Q'ty	Note
1	10300444	Saw Blade Motor	RB00371---	Y2-100L1-4 B3(2.2kW)		1	2.2kW(200/220V50/60HZ)
2	10001510	Bolt	P330040004	M10X25		4	
3	10001520	Spring Washer	P336050007	10	JIS	4	
4	10300114	Variable Speed Drive	7922537--B	PDS-22-12-N (with Belt)	Miki Pulley	1	with Index 5-7
5	10300116	Pulley	792253702-	AK-185-AM	Miki Pulley	1	
6	10300117	Pulley	792253703-	PE-250-K	Miki Pulley	1	
7	10300118	Belt	792253704-	1922V443	Miki Pulley	1	
8	10382124	Parallel Key	P436000126	7X7X50(Single Ended Round)	JIS	1	
9	10300445	Motor Base	RB00372---			1	
10	10300446	Setting Bar	RB00373---			1	
11	10325021	Washer	P336000007	10(Normal)	JIS	4	
12	10001520	Spring Washer	P336050007	10	JIS	2	
13	10336116	Bolt	P330040003	M10X20		2	
14	10300447	Pulley Cover	RB00374---			1	
15	10340019	Truss Head Screw	P334130012	M6X12	JIS	3	
16	10300448	Rear Cover	RB00375---			1	
17	10371906	Bolt	P330020006	M6X16	JIS	4	
18	10310351	Spring Washer	P336050005	6	JIS	4	
19	10300449	Hinge Shaft	RB00376---			1	

Unit No. 21

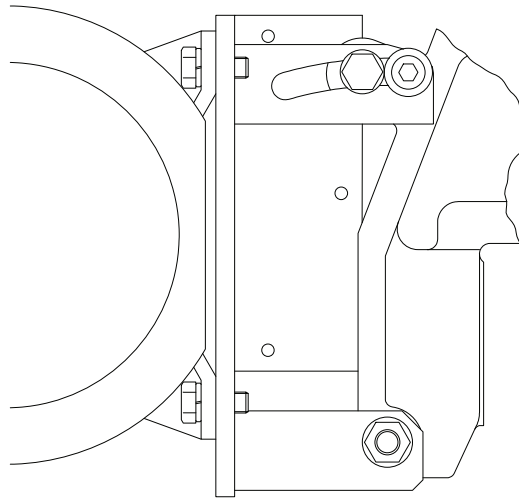
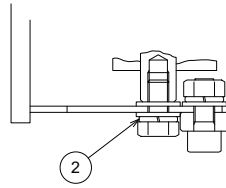
Gearbox(1)

Index	Code	Parts Name	Drawing No.	Type	Maker	Q'ty	Note
20	10322907	Washer	P336000008	12(Normal)	JIS	1	
21	10325307	Nut	P332000067	M12(Type-1)	JIS	1	
22	10382131	Nut	P332000091	M12(Type-3)	JIS	1	
23	10356511	Socket Set Screw	P330570017	M6X12(Dog-end)	JIS	1	
24	10322120	Socket Set Screw	P330590018	M6X8(Dimple Type)	JIS	1	
25	10300450	Bite Type Washer	RB00377---			1	
26	10001510	Bolt	P330040004	M10X25		1	
27	10001520	Spring Washer	P336050007	10	JIS	1	
28	10325021	Washer	P336000007	10(Normal)	JIS	1	
29	10427991	Nut	P332000006	M10	JIS	1	

Unit No. 22
Gearbox(2)-1/2 <HA250W>



Unit No. 22
Gearbox(2)-2/2 <HA250W>



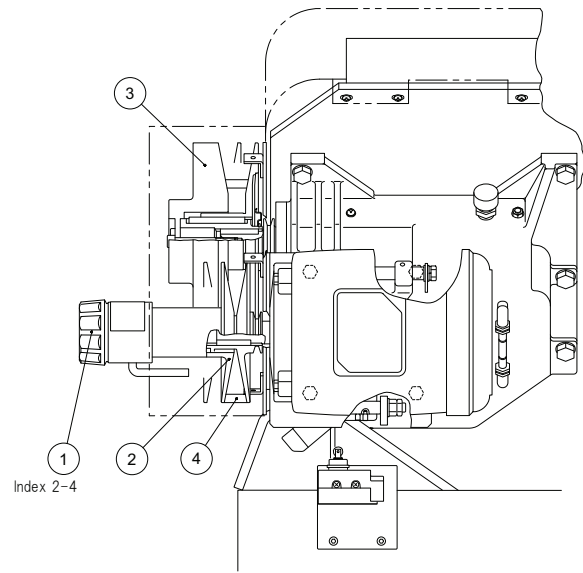
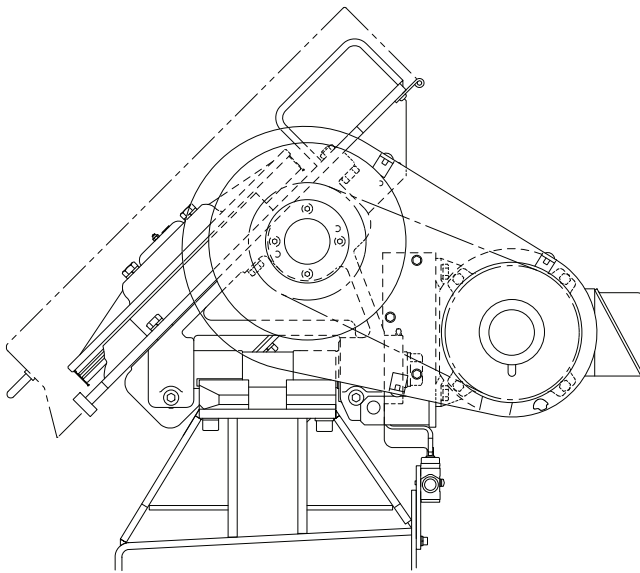
VIEW A

RB00370---

Unit No. 22
Gearbox(2)

Index	Code	Parts Name	Drawing No.	Type	Maker	Q'ty	Note
1	10300928	Saw Blade Motor	RB00982---	Y2-112M-4 B3(3.7kW)		1	3.7kW(200/220V50/60HZ)
2	10325021	Washer	P336000007	10(Normal)	JIS	4	
3	10300119	Variable Speed Drive	7922574--B	PDS-37-22	Miki Pulley	1	with Index 4-6
4	10300121	Pulley	792257402-	AK-185-AU	Miki Pulley	1	
5	10300122	Pulley	792257403-	PE-250-P	Miki Pulley	1	
6	10300123	Belt	792257404-	2322V441K	Miki Pulley	1	
7	10555636	Hex Socket Cap Screw	P330240021	M10X95	MOURI	1	List Only
8	10300929	Motor Base	RB00983--B			1	
9	10300930	Pulley Cover	RB00984---			1	
10	10300621	Grommet	RB0054046-	W=5mm L=70		1	List Only
11	10300931	Rear Cover	RB00985---			1	

Unit No. 23
Gearbox(3) <HA250W(US)>



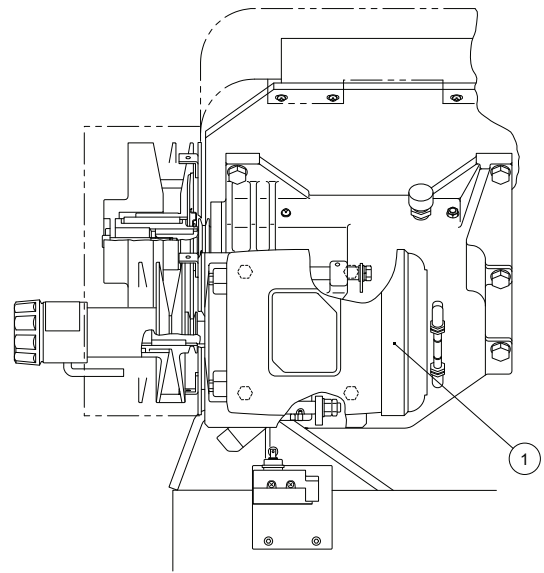
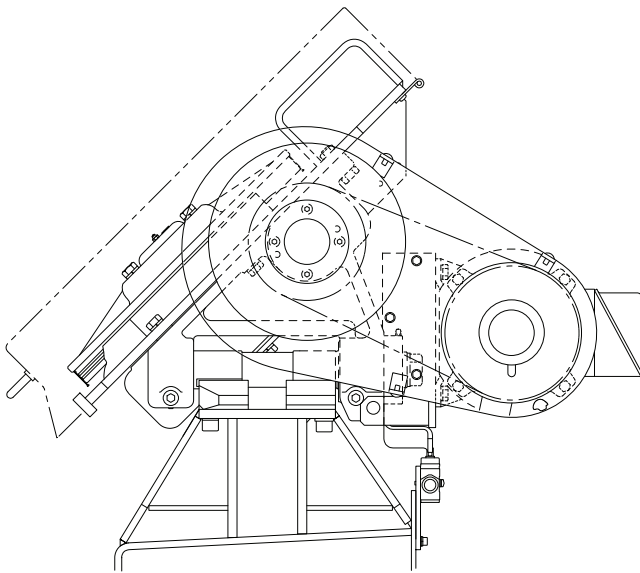
RB01002---
(RB00370---)

Unit No. 23

Gearbox(3)

Index	Code	Parts Name	Drawing No.	Type	Maker	Q'ty	Note
1	10300124	Variable Speed Drive	7922575-B	PDS-37-23	Miki Pulley	1	with Index 2-4
2	10300126	Pulley	792257502-	AK-185-AV	Miki Pulley	1	
3	10300127	Pulley	792257503-	PE-250-P	Miki Pulley	1	
4	10300128	Belt	792257504-	2322V441K	Miki Pulley	1	

Unit No. 24
Gearbox(4) <Power Source Voltage:230/460V>



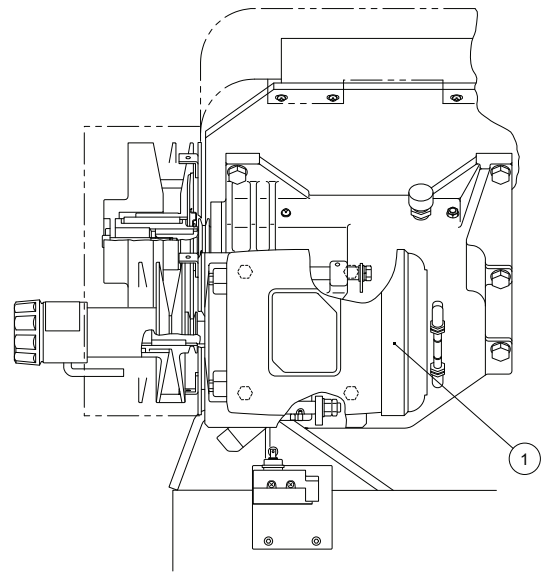
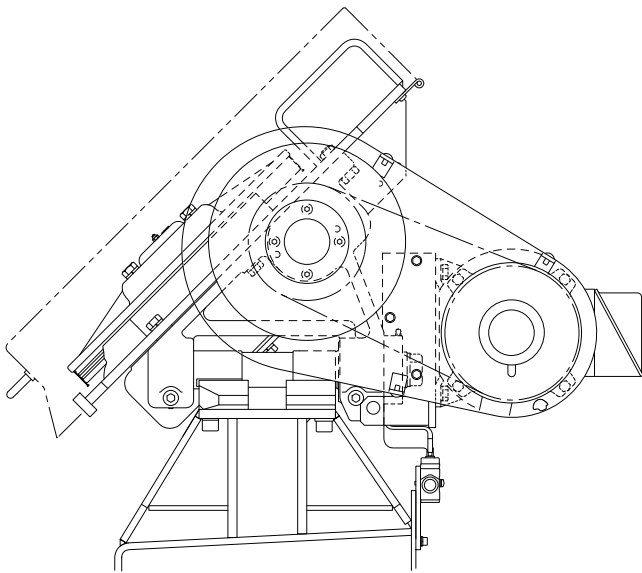
1115260
(RB00370---)

Unit No. 24

Gearbox(4)

Index	Code	Parts Name	Drawing No.	Type	Maker	Q'ty	Note
1	10389828	Saw Blade Motor	1115260	AEEF-112M(3.7KW)		1	3.7KW(230/460V/60Hz)

Unit No. 25
Gearbox(5) <Power Source Voltage:400V>



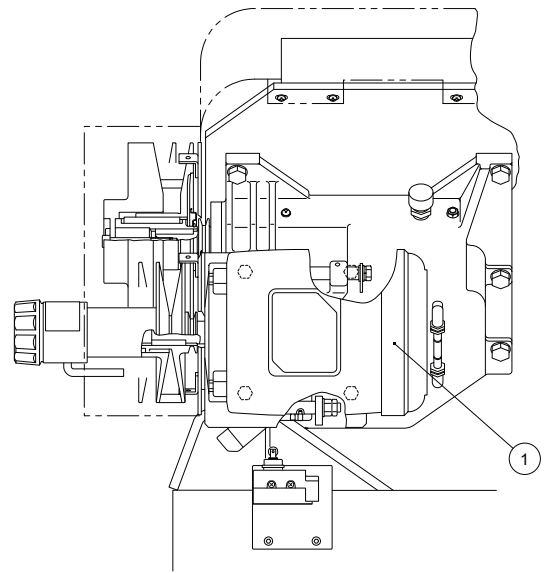
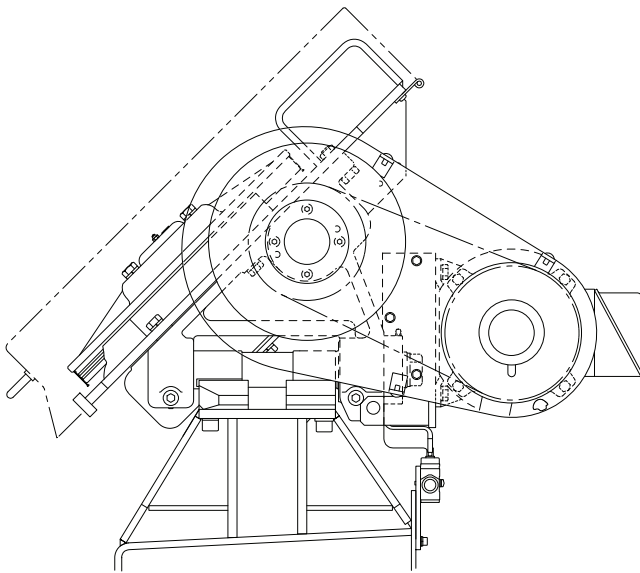
RB01191---
(RB00370---)

Unit No. 25

Gearbox(5)

Index	Code	Parts Name	Drawing No.	Type	Maker	Q'ty	Note
1	10301015	Saw Blade Motor 400V	RB01191---	2.2kW		1	2.2kW(400V/50Hz)

Unit No. 26
Gearbox(6) <Power Source Voltage:400V(HA250W)>



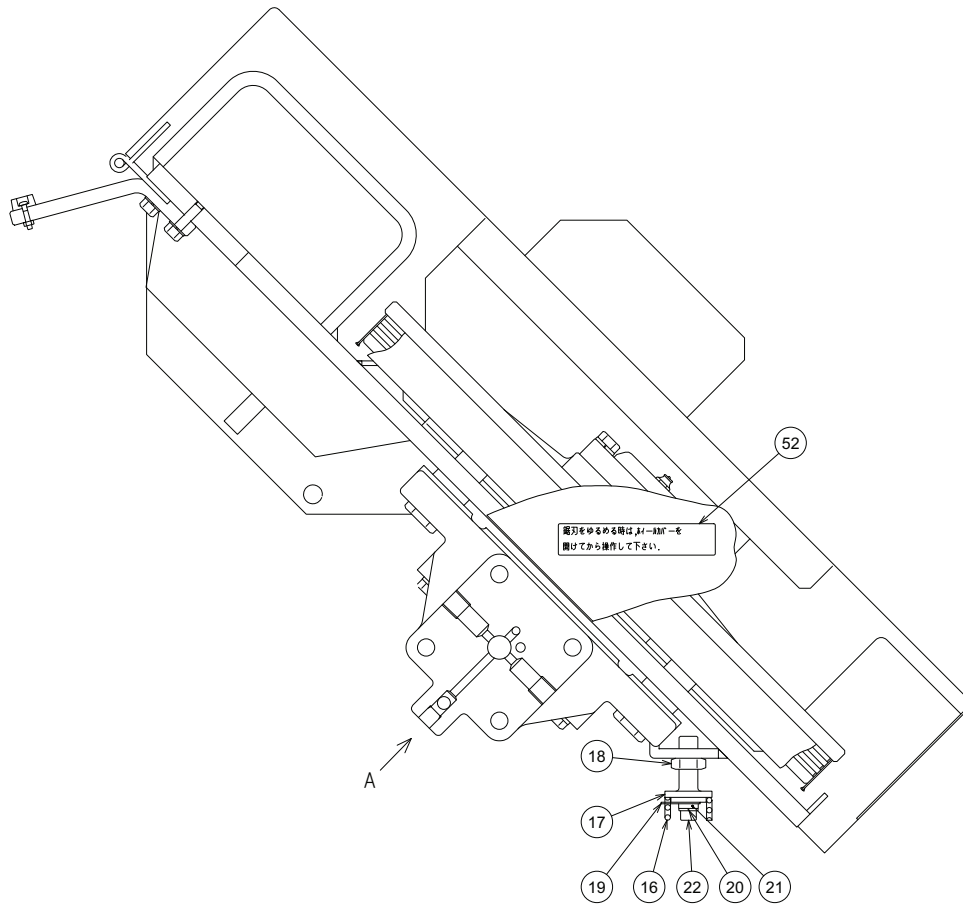
RB01186---
(RB00370---)

Unit No. 26

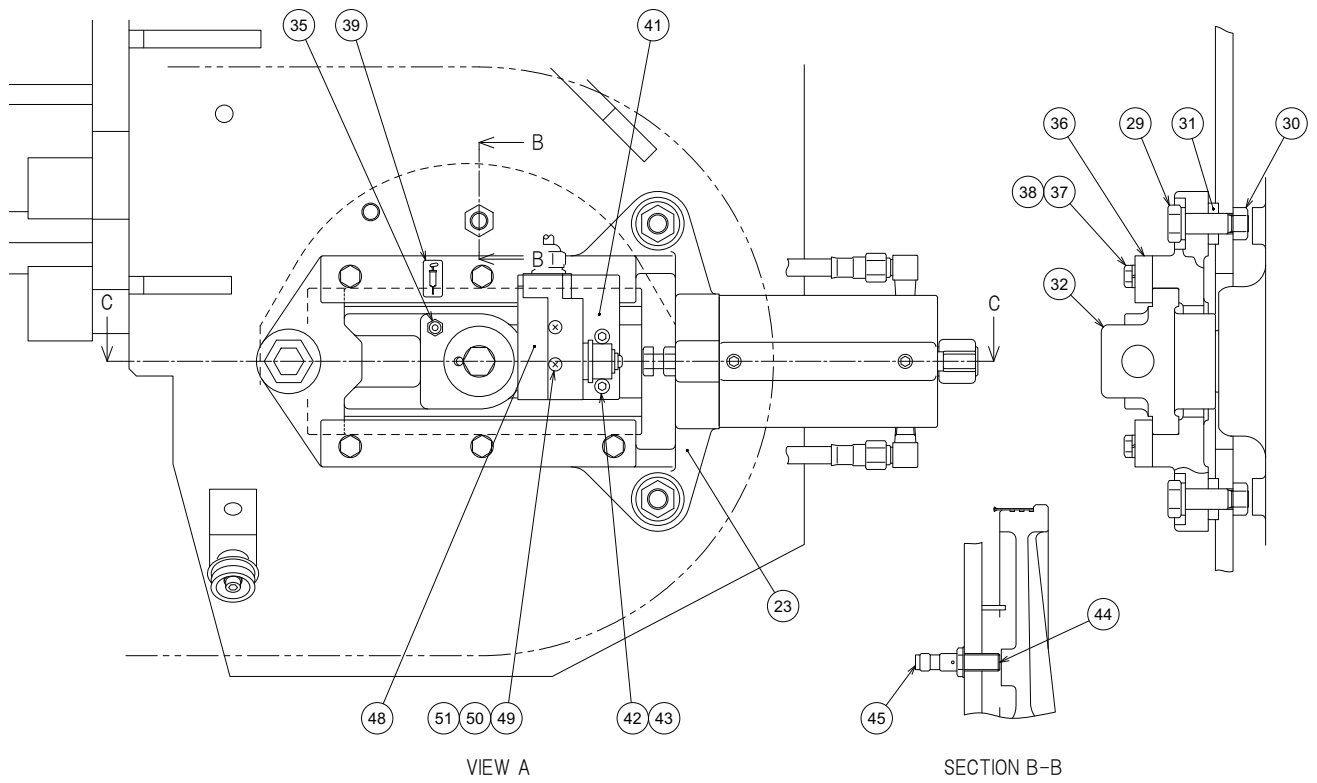
Gearbox(6)

Index	Code	Parts Name	Drawing No.	Type	Maker	Q'ty	Note
1	10301011	Saw Blade Motor 400V	RB01186---	4.0kW		1	4.0kW(400V/50Hz)

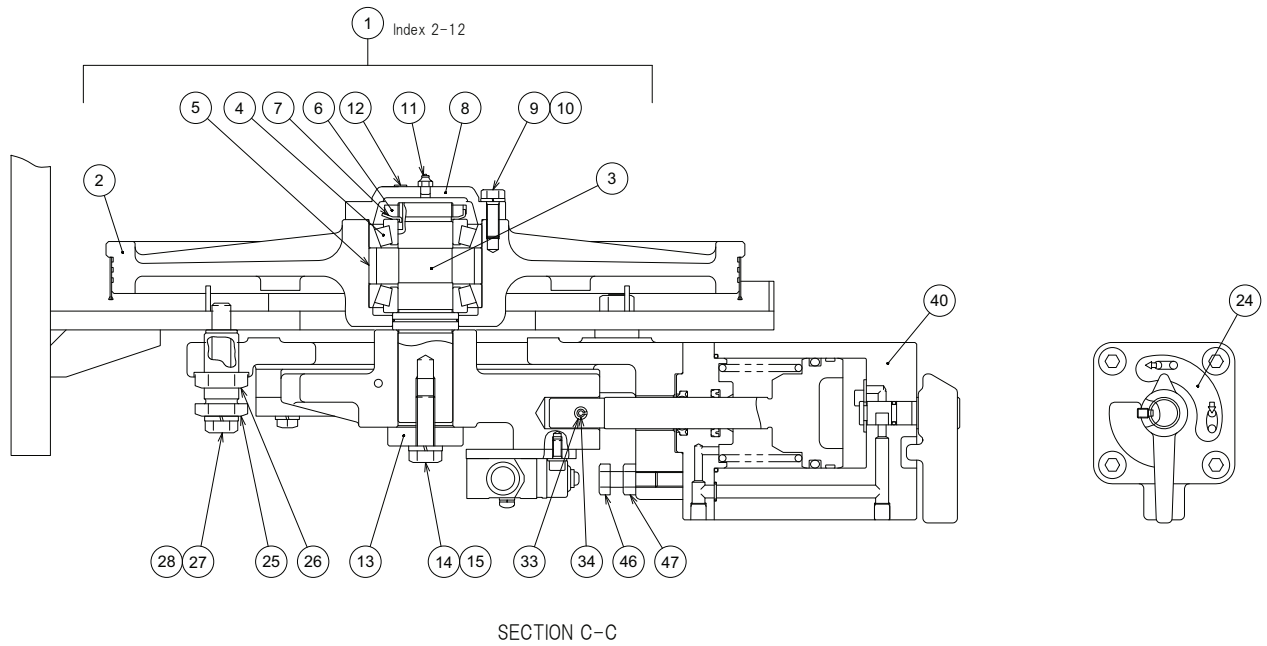
Unit No. 27
Driven Wheel(1)-1/3



Unit No. 27
Driven Wheel(1)-2/3



Unit No. 27
Driven Wheel(1)-3/3



Unit No. 27
Driven Wheel(1)

Index	Code	Parts Name	Drawing No.	Type	Maker	Q'ty	Note
1	10302084	Driven Wheel ASSY	SBS0117---	RB00381---, RB00382---, RB00383--- others		1	with Index 2-12
2	10300452	Idle Wheel	RB00381---			1	
3	10300453	Wheel Shaft	RB00382---			1	
4	10300154	Taper Roller Bearing	P402010542	HR30207J	NSK(equality)	2	
5	10300454	Distance Collar	RB00383---			1	
6	10205419	Lock Nut	P406030006	AN-07	JIS	1	
7	10382138	Locking Washer	P406040006	AW-07	JIS	1	
8	10300455	Bearing Cap	RB00384---			1	
9	10001512	Bolt	P330030007	M8X25		3	
10	10001521	Spring Washer	P336050006	8	JIS	3	
11	10332918	Grease Nipple	P560600001	A-M6F		1	
12	10300404	Name Plate	RB00309---			1	
13	10300408	Washer	RB00313---			1	
14	10324314	Bolt	P330050004	M12X35		1	
15	10000829	Spring Washer	P336050008	12	JIS	1	
16	10300456	Spring	RB00387---			1	
17	10300457	Housing Stopper	RB00388---			1	
18	10589227	Nut	P332000007	M12	JIS	1	
19	10300458	Spring Support	RB00389---			1	

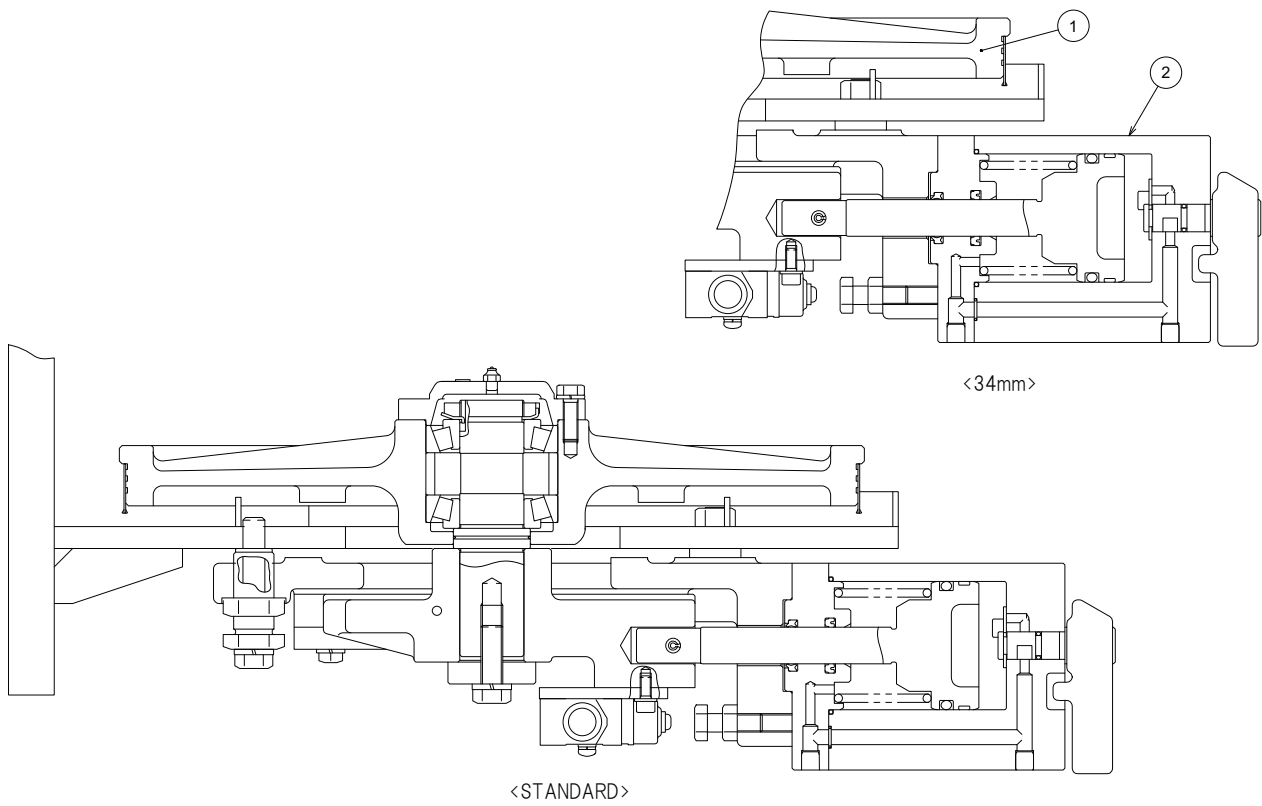
Unit No. 27
Driven Wheel(1)

Index	Code	Parts Name	Drawing No.	Type	Maker	Q'ty	Note
20	10310351	Spring Washer	P336050005	6	JIS	1	
21	10321922	Washer	P336000005	6(Normal)	JIS	3	
22	10323204	Hex Socket Cap Screw	P330220007	M6X16	JIS	1	
23	10300461	Tension Body	RB00390---			1	
24	10300462	Name Plate	RB00391---			1	
25	10300463	Adjust Bolt	RB00392---			1	
26	10300464	Adjusting Nut	RB00393---			1	
27	10300465	Bolt	RB00394---	M12X75		1	
28	10000829	Spring Washer	P336050008	12	JIS	1	
29	10300428	Reamer Bolt B	RB00342---			2	
30	10325307	Nut	P332000067	M12(Type-1)	JIS	2	
31	10300466	Spacer	RB00396---			2	
32	10300467	Slide Piece	RB00397---			1	
33	10326806	Spring Pin	P337030084	8X50AW	JIS	1	
34	10363016	Spring Pin	P337030051	5X50AW	JIS	1	
35	10332918	Grease Nipple	P560600001	A-M6F		1	
36	10300468	Guide Plate	RB00398---			2	
37	10001512	Bolt	P330030007	M8X25		6	
38	10001521	Spring Washer	P336050006	8	JIS	6	

Unit No. 27
Driven Wheel(1)

Index	Code	Parts Name	Drawing No.	Type	Maker	Q'ty	Note
39	10300404	Name Plate	RB00309---			1	
40	10300469	Tension Cylinder ASSY	RB00400---			1	
41	10300477	LS Setting Plate	RB00408---			1	
42	10343434	Hex Socket Cap Screw	P330220005	M6X14	MOURI	2	
43	10310351	Spring Washer	P336050005	6	JIS	2	
44	10381502	Proximity Switch	P829003100	FL7M-3J6HD-CN	YAMATAKE	1	
45	10380397	Accessory for Proximity Switch	P829133006	PA5-4ISX3HK	YAMATAKE	1	
46	10325724	Bolt	P330040033	M10X30(All-thread)	MOURI	1	
47	10427991	Nut	P332000006	M10	JIS	1	
48	10204724	Limit Switch	P828012022	ZE-N-2	OMRON	1	
49	10328314	Pan Head Screw	P334100027	M4X35	JIS	2	
50	10318527	Spring Washer	P336050003	4	JIS	2	
51	10337110	Washer	P336000003	4(Small Round)	JIS	2	
52	10300478	Caution Plate	RB00409---			1	

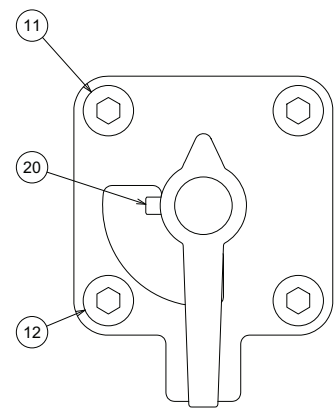
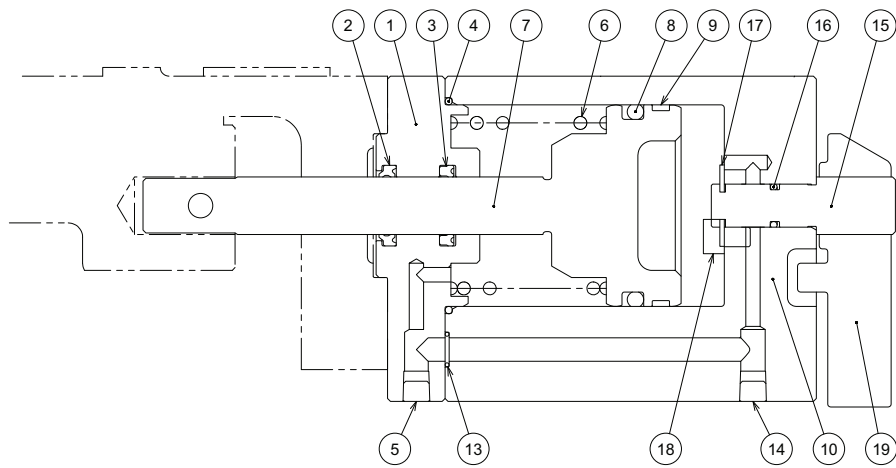
Unit No. 28
Driven Wheel(2) <HA250W>



Unit No. 28
Driven Wheel(2)

Index	Code	Parts Name	Drawing No.	Type	Maker	Q'ty	Note
1	10300932	Idle Wheel	RB00986---			1	
2	10300933	Tension Cylinder ASSY 34mm	RB00990-B			1	

Unit No. 29
Driven Wheel(3) <Tension Cylinder ASSY>



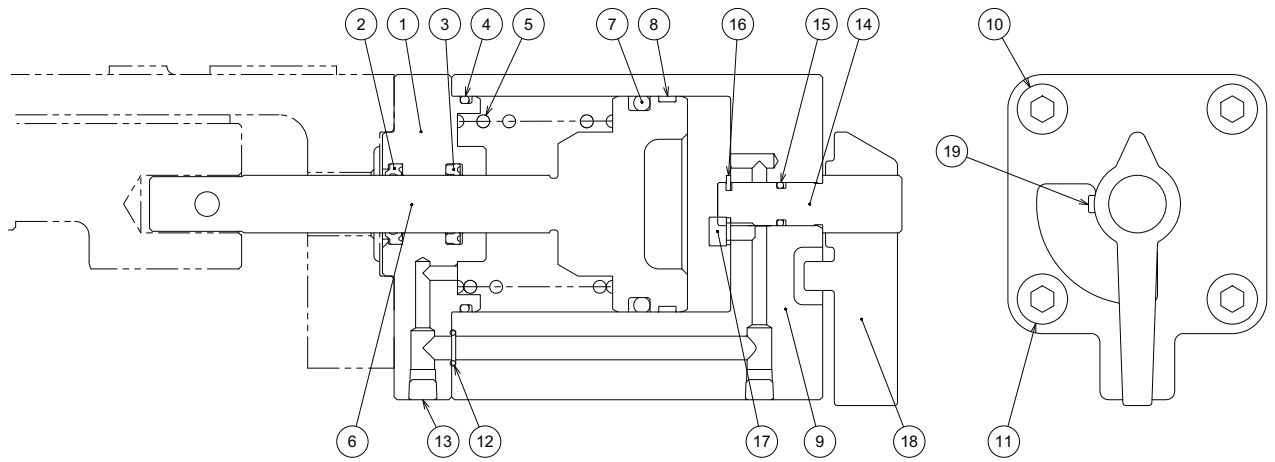
Unit No. 29
Driven Wheel(3)

Index	Code	Parts Name	Drawing No.	Type	Maker	Q'ty	Note
1	10300470	Cylinder Cap	RB00401---			1	
2	10300175	Wiper Ring	P590303024	SDR-20	SAKAGAMI	1	
3	10375336	Piston Packing	P590403002	SKY-20	SAKAGAMI	1	
4	10316733	O Ring	P590010010	G70		1	
5	10380409	Plug for Piping	P580208022	PT-1/8		1	
6	10300471	Tension Cylinder Spring	RB00402---			1	
7	10300472	Piston	RB00403---			1	
8	10001120	O Ring	P590000056	P60		1	
9	10382155	Wearing	P590473007	SWA-70	SAKAGAMI	1	
10	10300473	Cylinder	RB00404--A			1	
11	10382157	Hex Socket Cap Screw	P330240026	M10X130	MOURI	2	
12	10382158	Hex Socket Cap Screw	P330240030	M10X160		2	
13	10314519	O Ring	P590000007	P9		1	
14	10380409	Plug for Piping	P580208022	PT-1/8		1	
15	10300474	Rotary Valve	RB00405---			1	
16	10206605	O Ring	P590000010	P11		1	
17	10300475	Stopper Plate	RB00406---			1	
18	10589206	Hex Socket Cap Screw	P330220003	M6X10		1	
19	10300476	Valve Lever	RB00407---			1	

Unit No. 29
Driven Wheel(3)

Index	Code	Parts Name	Drawing No.	Type	Maker	Q'ty	Note
20	10326108	Socket Set Screw	P330570016	M6X10(Dog-end)	JIS	1	

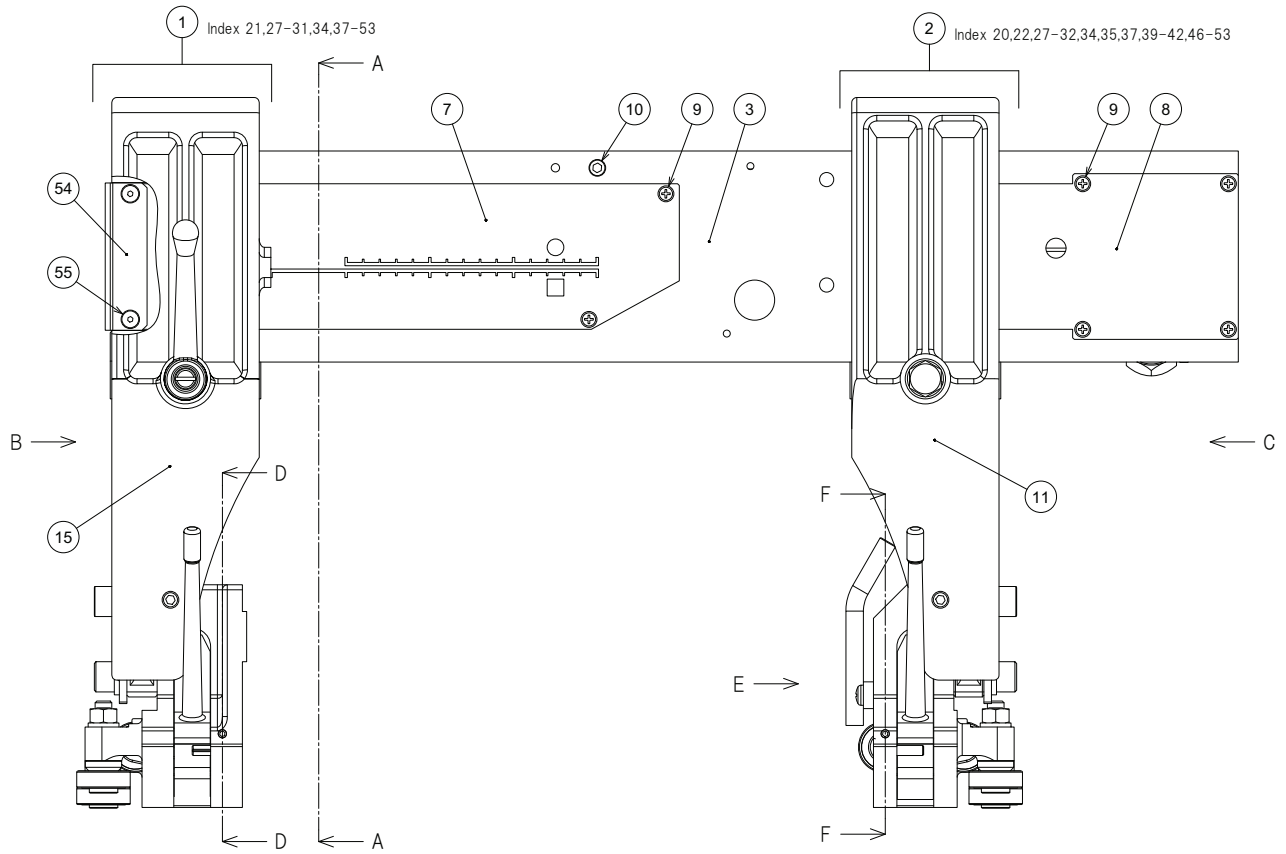
Unit No. 30
Driven Wheel(4) <Tension Cylinder ASSY(34mm)>



Unit No. 30
Driven Wheel(4)

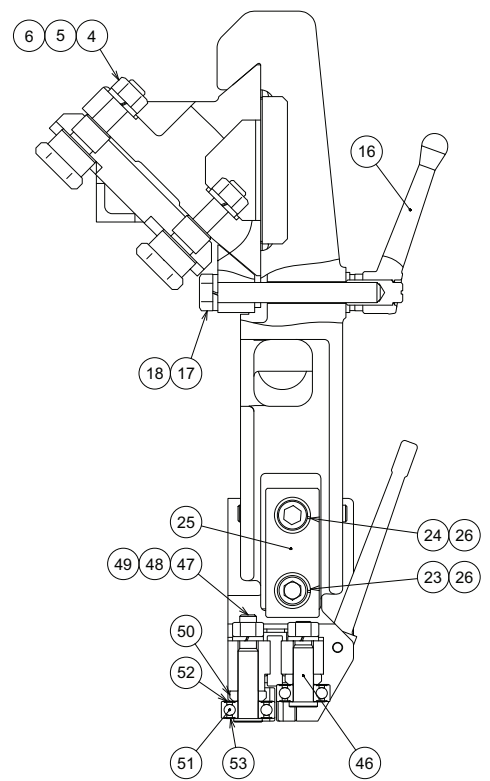
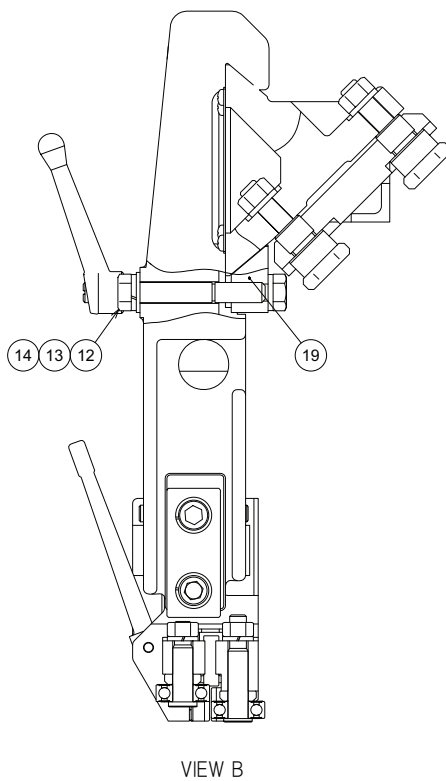
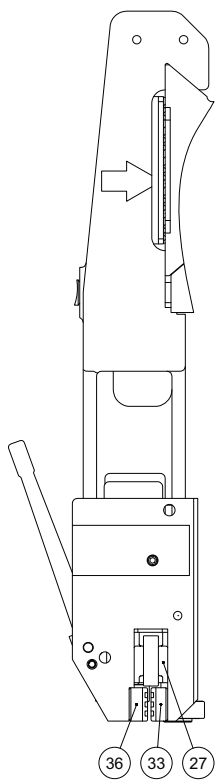
Index	Code	Parts Name	Drawing No.	Type	Maker	Q'ty	Note
1	10300934	Cylinder Cap	RB00991---			1	
2	10300175	Wiper Ring	P590303024	SDR-20	SAKAGAMI	1	
3	10375336	Piston Packing	P590403002	SKY-20	SAKAGAMI	1	
4	10316733	O Ring	P590010010	G70		1	
5	10300471	Tension Cylinder Spring	RB00402---			1	
6	10300935	Piston (Tension Cylinder)	RB00992--A			1	
7	10383820	O Ring	P590000059	P65		1	
8	10383821	Wearing	P590473026	SWA-75	SAKAGAMI	1	
9	10300936	Cylinder	RB00993--A			1	
10	10382157	Hex Socket Cap Screw	P330240026	M10X130	MOURI	2	
11	10382158	Hex Socket Cap Screw	P330240030	M10X160		2	
12	10314519	O Ring	P590000007	P9		1	
13	10380409	Plug for Piping	P580208022	PT-1/8		2	
14	10300474	Rotary Valve	RB00405---			1	
15	10206605	O Ring	P590000010	P11		1	
16	10300475	Stopper Plate	RB00406---			1	
17	10589206	Hex Socket Cap Screw	P330220003	M6X10		1	
18	10300476	Valve Lever	RB00407---			1	
19	10326108	Socket Set Screw	P330570016	M6X10(Dog-end)	JIS	1	

Unit No. 31
Saw Blade Guide(1)-1/3



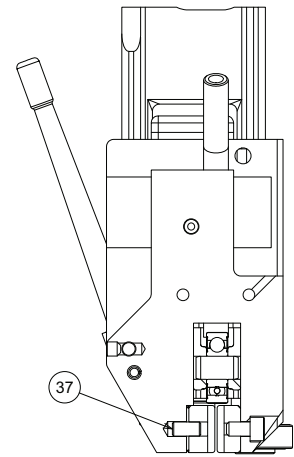
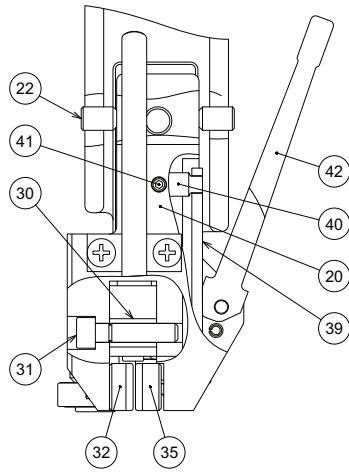
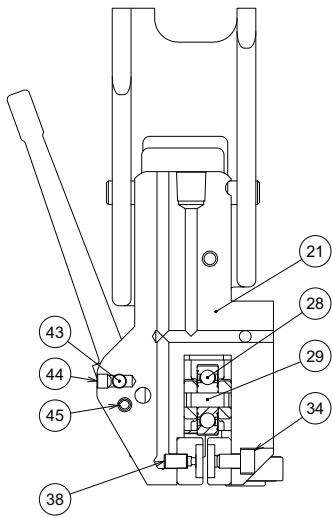
RB00420--A

Unit No. 31
Saw Blade Guide(1)-2/3



RB00420--A

Unit No. 31
Saw Blade Guide(1)-3/3



RB00420--A

Unit No. 31

Saw Blade Guide(1)

Index	Code	Parts Name	Drawing No.	Type	Maker	Q'ty	Note
1	10302085	Insert Holder L ASSY	SBS0118---	RB00430---, RB00442---, RB00443--- others		1	with Index 21,27-31,34,37-53
2	10302086	Insert Holder R ASSY	SBS0119---	RB00429---, RB00436--A, RB00442--- others		1	with Index 20,22,27-32,34,35,37,39-42,46-53
3	10300483	Guide Bar	RB00421---			1	
4	10300484	Reamer Bolt C	RB00422---			4	L(2)/R(2)
5	10325307	Nut	P332000067	M12(Type-1)	JIS	4	L(2)/R(2)
6	10000829	Spring Washer	P336050008	12	JIS	4	L(2)/R(2)
7	10300485	Name Plate	RB00423---			1	
8	10300486	Cover Plate	RB00424---			1	
9	10322224	Pan Head Screw	P334100039	M5X10	JIS	8	
10	10323204	Hex Socket Cap Screw	P330220007	M6X16	JIS	1	
11	10300489	Right Guide Bracket	RB00425---			1	R(Qty)'
12	10328326	Bolt	P330050016	M12X80		1	R(Qty)'
13	10000829	Spring Washer	P336050008	12	JIS	1	R(Qty)'
14	10322907	Washer	P336000008	12(Normal)	JIS	1	R(Qty)'
15	10300492	Left Guide Bracket	RB00426---			1	L(Qty)'
16	10300493	Lever	RB00427---	HY8310.12-1,A-M12X95		1	L(Qty)'
17	10325415	Bolt	P330050023	M12X100(All-thread)	MOURI	1	L(Qty)'
18	10000829	Spring Washer	P336050008	12	JIS	1	L(Qty)'
19	10300494	Slide Chip	RB00428---			2	L(1)/R(1)

Unit No. 31

Saw Blade Guide(1)

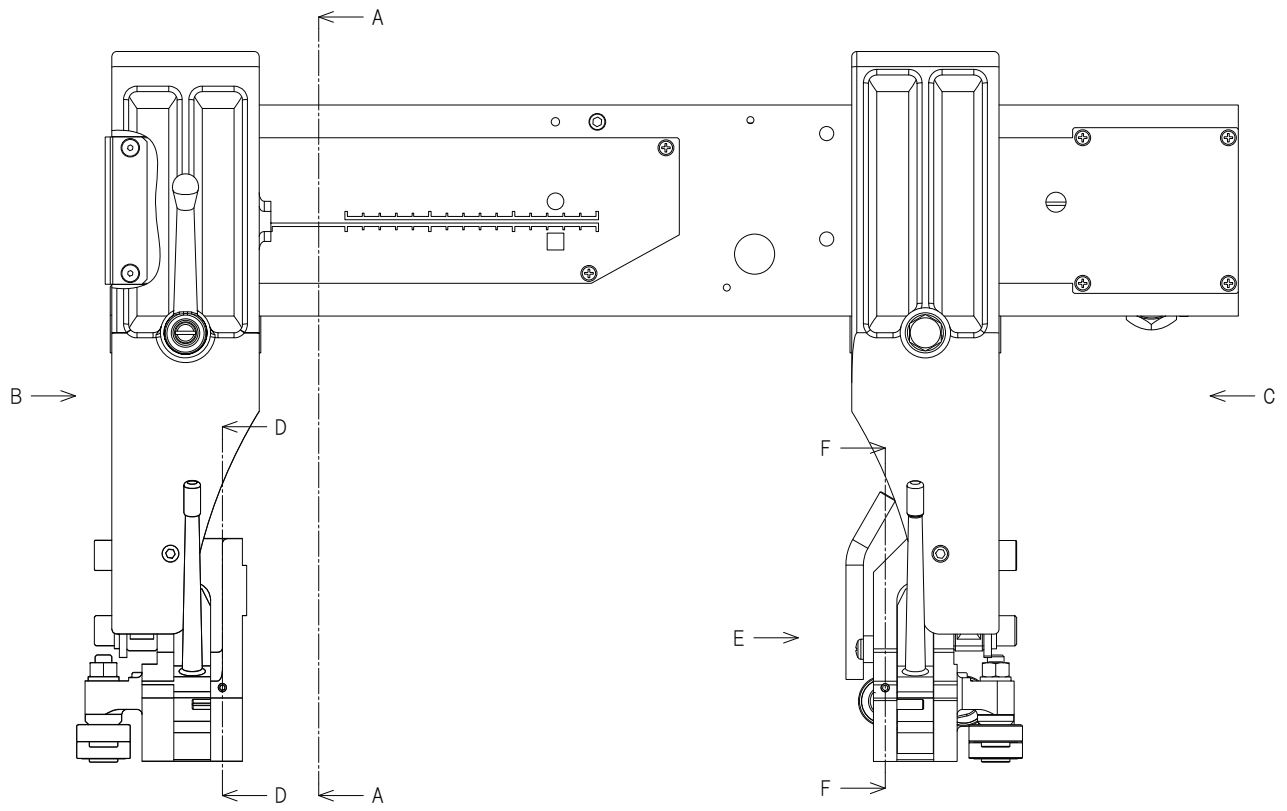
Index	Code	Parts Name	Drawing No.	Type	Maker	Q'ty	Note
20	10300497	Insert Holder R	RB00429---			1	R(Qty)'
21	10300501	Insert Holder L	RB00430---			1	L(Qty)'
22	10328211	Socket Set Screw	P330550050	M10X15(Flat Type)	MOURI	4	L(2)/R(2)
23	10300502	Reamer Bolt	RB00431---			2	L(1)/R(1)
24	10328331	Hex Socket Cap Screw	P330250007	M12X40		2	L(1)/R(1)
25	10300503	Plate Washer	RB00432---			2	L(1)/R(1)
26	10000829	Spring Washer	P336050008	12	JIS	4	L(2)/R(2)
27	10300504	Bearing Holder	RB00433---			2	L(1)/R(1)
28	10300129	Deep Groove Ball Bearing	7922885---	6200LLU/LP03QT	NTN	4	L(2)/R(2)
29	10382176	Parallel Pin	P337020289	B-10X18	JIS	4	L(2)/R(2)
30	10300505	Sleeve	RB00435---			2	L(1)/R(1)
31	10335502	Hex Socket Cap Screw	P330230009	M8X35		2	L(1)/R(1)
32	10300506	Fixed Insert R	RB00436--A			1	R(Qty)'
33	10300507	Fixed Insert L	RB00437--A			1	L(Qty)'
34	10589206	Hex Socket Cap Screw	P330220003	M6X10		4	L(2)/R(2)
35	10300508	Movable Insert R	RB00438--A			1	R(Qty)'
36	10300509	Movable Insert L	RB00439--A			1	L(Qty)'
37	10372129	Spring Pin	P337030054	6X12AW	JIS	3	L(1)/R(2)
38	10300510	Pin	RB00440---			1	L(Qty)'

Unit No. 31

Saw Blade Guide(1)

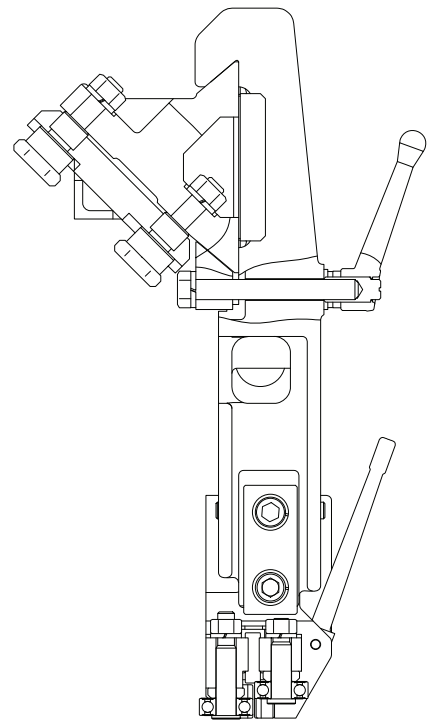
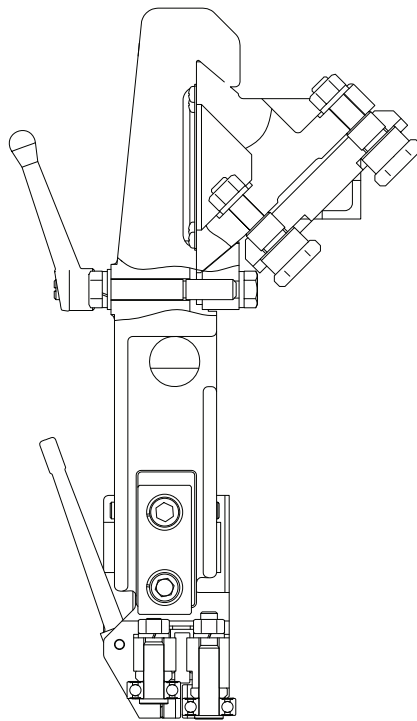
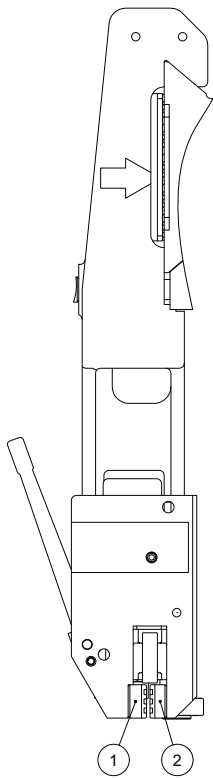
Index	Code	Parts Name	Drawing No.	Type	Maker	Q'ty	Note
39	10300511	Plate (for Spring)	RB00441---			2	L(1)/R(1)
40	10376556	Socket Set Screw	P330570036	M10X35(Dog-end)	JIS	2	L(1)/R(1)
41	10322120	Socket Set Screw	P330590018	M6X8(Dimple Type)	JIS	2	L(1)/R(1)
42	10300512	Cam Lever	RB00442---			2	L(1)/R(1)
43	10380430	Parallel Pin	P337020155	B-6X50	JIS	2	L(1)/R(1)
44	10312833	Socket Set Screw	P330590017	M6X6(Dimple Type)	JIS	2	L(1)/R(1)
45	10325229	Spring Pin	P337030063	6X30AW	OHKITA	2	L(1)/R(1)
46	10300513	Bearing Shaft 1	RB00443---			2	L(1)/R(1)
47	10300514	Bearing Shaft 2	RB00444---			2	L(1)/R(1)
48	10427991	Nut	P332000006	M10	JIS	4	L(2)/R(2)
49	10001520	Spring Washer	P336050007	10	JIS	4	L(2)/R(2)
50	10300515	Bearing Collar 1	RB00445---			4	L(2)/R(2)
51	10300130	Ball Bearing	7922888---	6201LLU/LP03QT		4	L(2)/R(2)
52	10300516	Shim 1	RB00447---			4	L(2)/R(2)
53	10300517	Shim 2	RB00448---			4	L(2)/R(2)
54	10300518	Stopper	RB00449---			1	L(Qty)'
55	10377122	Flat Head Bolt	P334520005	M5X12	NISSAN NEJI	2	L(Qty)'

Unit No. 32
Saw Blade Guide(2)-1/3 <HA250W>



RB00420--A

Unit No. 32
Saw Blade Guide(2)-2/3 <HA250W>



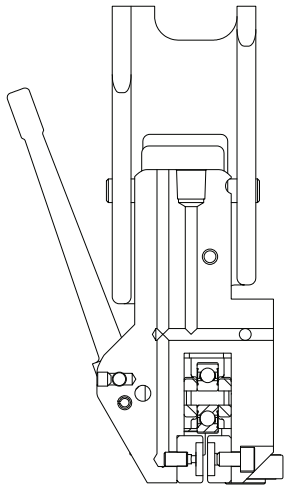
SECTION A-A

VIEW B

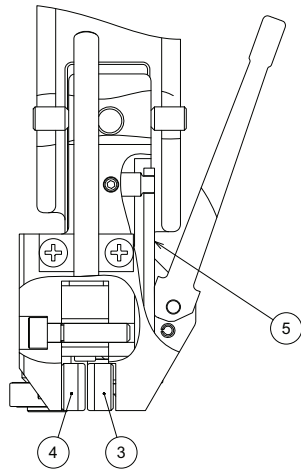
VIEW C

RB00420--A

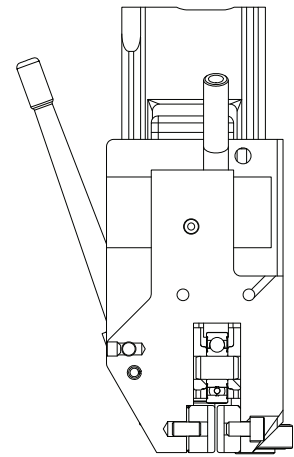
Unit No. 32
Saw Blade Guide(2)-3/3 <HA250W>



SECTION D-D



VIEW E



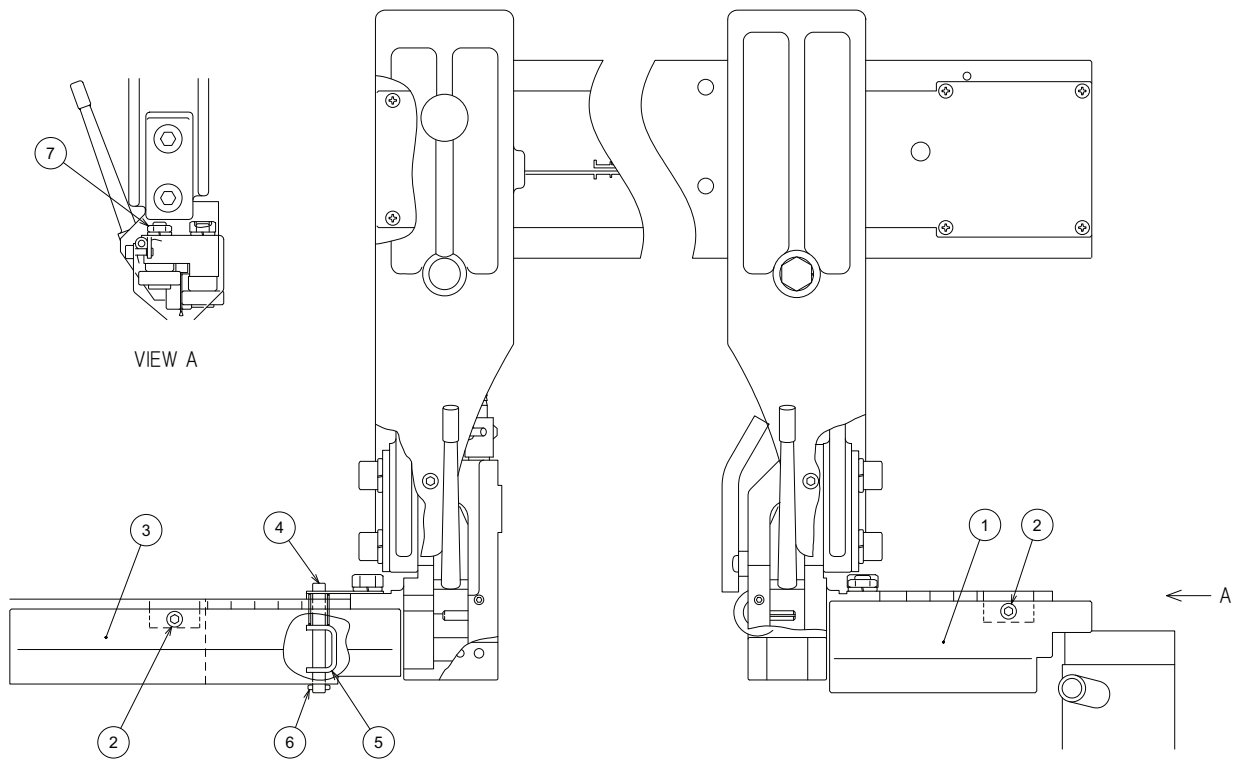
SECTION F-F

Unit No. 32

Saw Blade Guide(2)

Index	Code	Parts Name	Drawing No.	Type	Maker	Q'ty	Note
1	10300937	Fixed Insert L	RB00994--A			1	
2	10300938	Movable Insert L	RB00995--A			1	
3	10300939	Fixed Insert R	RB00996--A			1	
4	10300940	Movable Insert R	RB00997--A			1	
5	10300941	Wide Collar	RB00998---			2	

Unit No. 33
Saw Blade Guide(3) <EU Specification Machine>



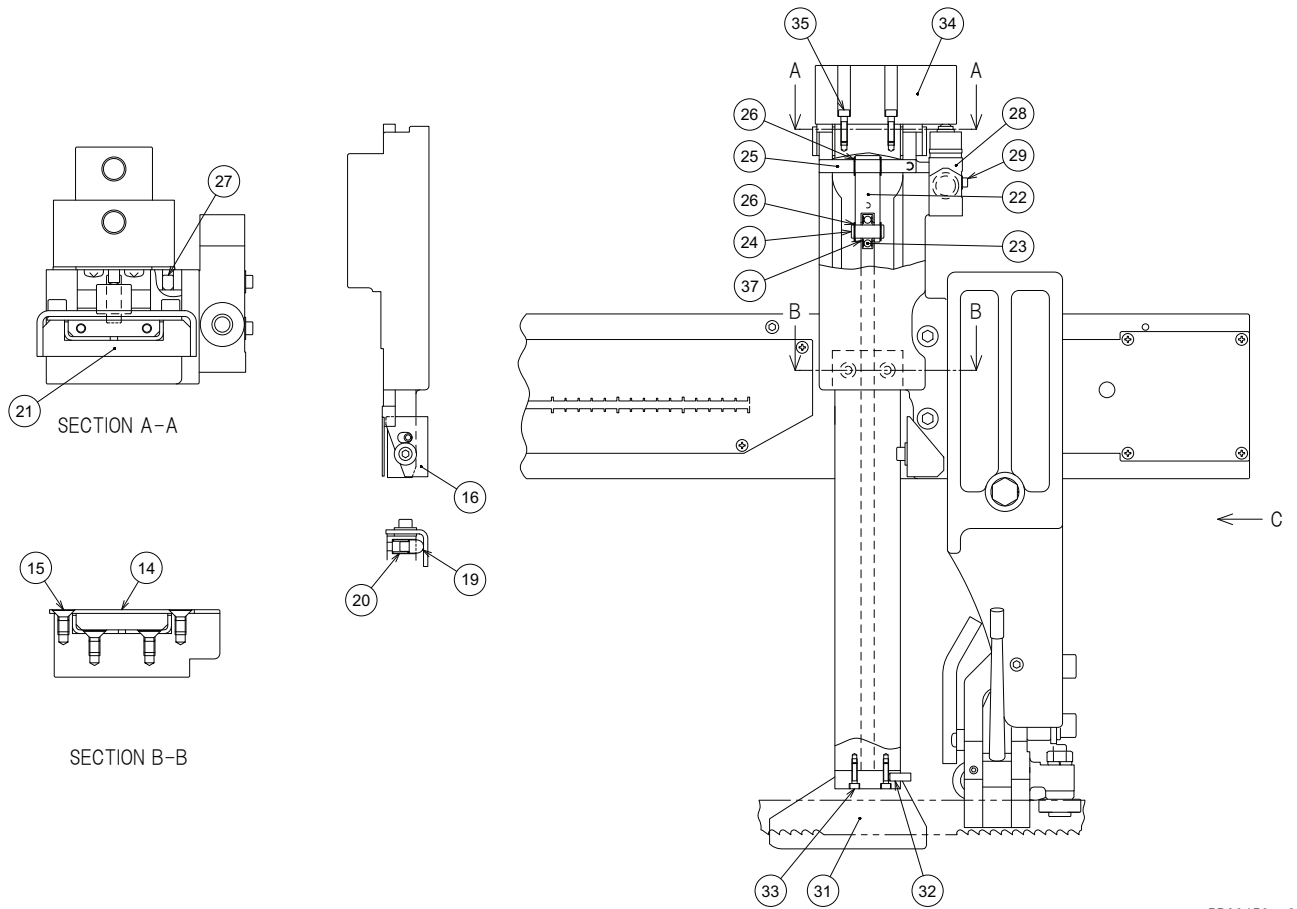
RB01260--A

Unit No. 33

Saw Blade Guide(3)

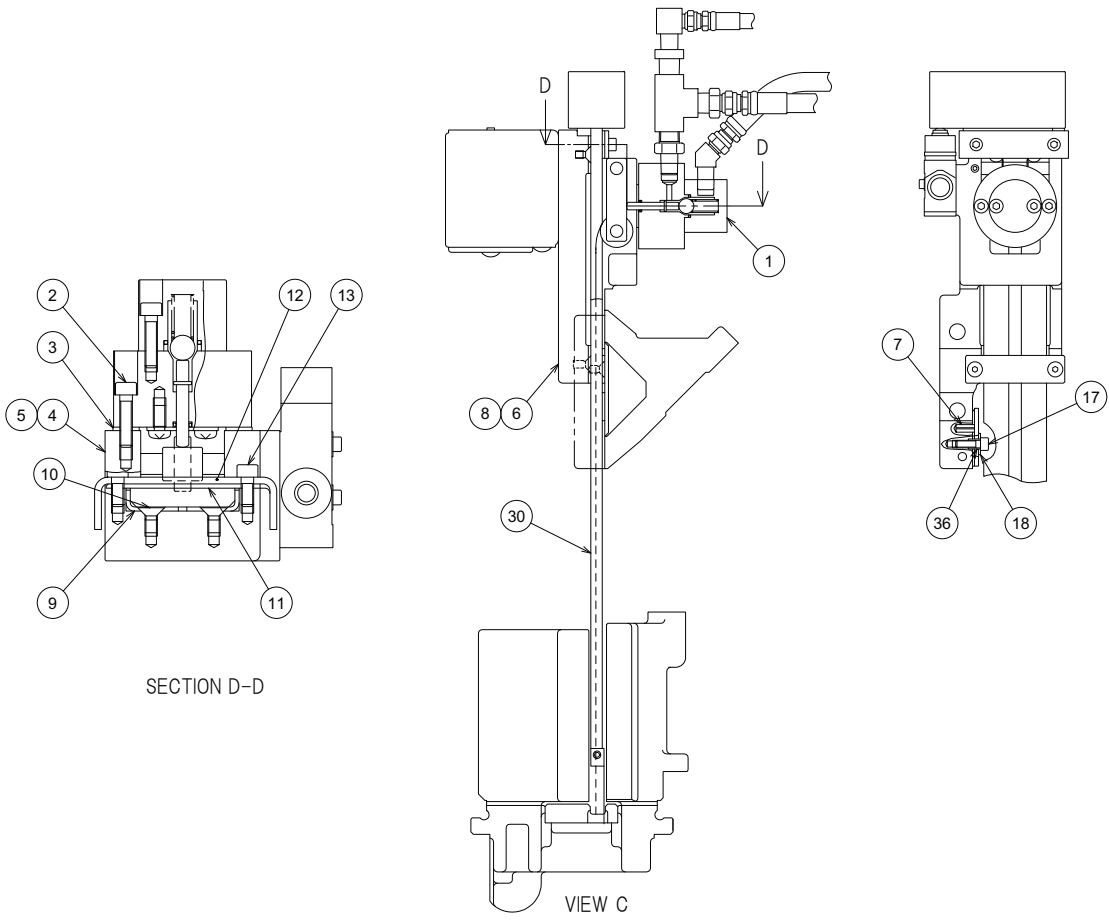
Index	Code	Parts Name	Drawing No.	Type	Maker	Q'ty	Note
1	10301041	Blade Cover R	RB01261--A			1	
2	10301042	Hex Socket Cap Screw	RB01262--A	M6X16		2	
3	10301043	Blade Cover L	RB01263---			1	
4	10301044	Spring Guide	RB01264---			1	
5	10301045	Feedback Spring	RB01265---			1	
6	10331237	Spring Pin	P337030013	3X14AW	JIS	1	
7	10356522	Nut	P332000019	M10(Thin)	JIS	1	

Unit No. 34
 Saw Blade Guide(4)-1/2 <Quick Approach>



RB00450--C

Unit No. 34
Saw Blade Guide(4)-2/2 <Quick Approach>



Unit No. 34

Saw Blade Guide(4)

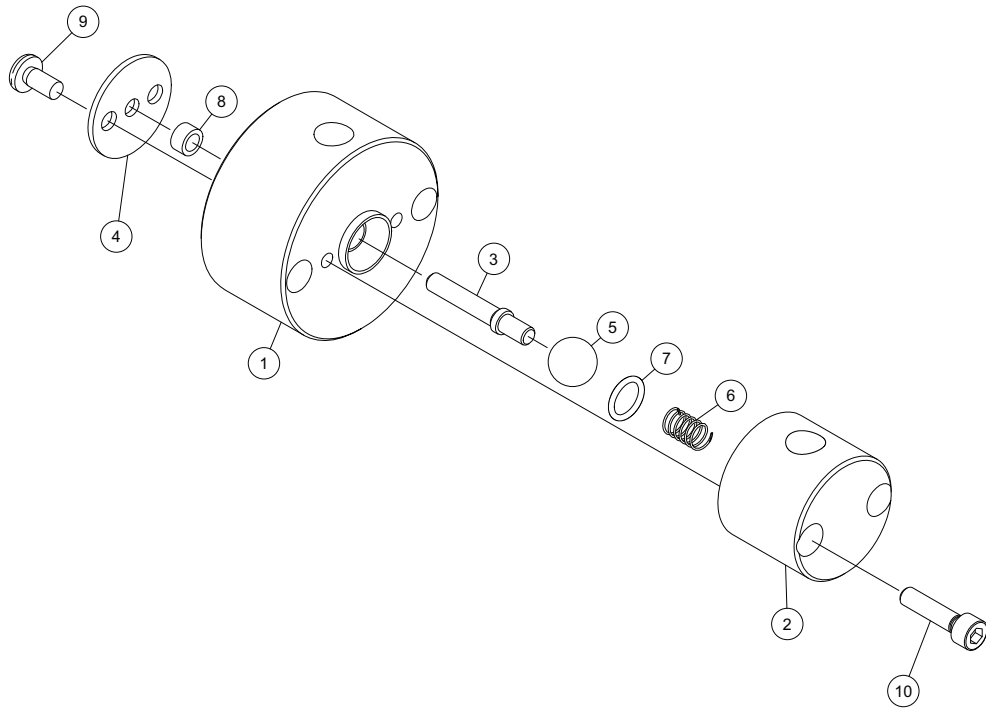
Index	Code	Parts Name	Drawing No.	Type	Maker	Q'ty	Note
1	10300520	Quick Approach Valve ASSY	RB00455--A			1	
2	10324622	Hex Socket Cap Screw	P330220011	M6X25		2	
3	10321922	Washer	P336000005	6(Normal)	JIS	2	
4	10300526	Shim 0.1T	RB00456---			6	
5	10300527	Shim 0.5T	RB00457---			6	
6	10300530	Approach Bar Guide	RB00458---			1	
7	10334627	Spring Pin	P337030058	6X18AW	JIS	1	
8	10300531	Approach Bar Guide Shim	RB00459---			2	
9	10300532	Slide Shaft Support L	RB00460---			4	
10	10330114	Flat Head Screw	P334110026	M6X12	JIS	4	
11	10300533	Slide Shaft Support	RB00461---			1	
12	10300534	Cushion Guide	RB00462---			1	
13	10323201	Hex Socket Cap Screw	P330220004	M6X12	JIS	2	
14	10300535	Slide Shaft Support	RB00463---			1	
15	10328361	Flat Head Bolt	P334520016	M6X12	NISSAN NEJI	2	
16	10300536	Filler Lock Lever	RB00464---			1	
17	10312832	Hex Socket Cap Screw	P330220009	M6X20	JIS	1	
18	10589271	Washer	P336000037	8(Polished Round)	JIS	2	
19	10300537	Steel Nose	RB00465---			1	

Unit No. 34

Saw Blade Guide(4)

Index	Code	Parts Name	Drawing No.	Type	Maker	Q'ty	Note
20	10300538	Quick Approach Spring	RB00466---			1	
21	10300539	Urethane Cushion	RB00467---			1	
22	10300540	Roller Lever	RB00468--A			1	
23	10328321	Deep Groove Ball Bearing	P400010002	6000ZZ	JIS	1	
24	10301125	Roller Pin	RB01915--A			1	
25	10300541	Roller Lever Pin	RB00470--A			1	
26	10380457	Locating Snap Ring	P406100005	E-7	JIS	4	
27	10322120	Socket Set Screw	P330590018	M6X8(Dimple Type)	JIS	1	
28	10204724	Limit Switch	P828012022	ZE-N-2	OMRON	1	
29	10372066	Hex Socket Cap Screw	P330200024	M4X35		2	
30	10300542	Approach Bar	RB00471---			1	
31	10300544	Filler	RB00473---			1	
32	10372118	Spring Pin	P337030057	6X16AW	JIS	1	
33	10372042	Hex Socket Cap Screw	P330200019	M4X16	JIS	2	
34	10300545	LS Dog	RB00474---			1	
35	10324211	Hex Socket Cap Screw	P330210009	M5X20		2	
36	10300546	Collar	RB00475---			1	
37	10312901	Locating Snap Ring	P406108034	STW-11	OCHIAI	2	

Unit No. 35
Saw Blade Guide(5) <Quick Approach Valve ASSY>

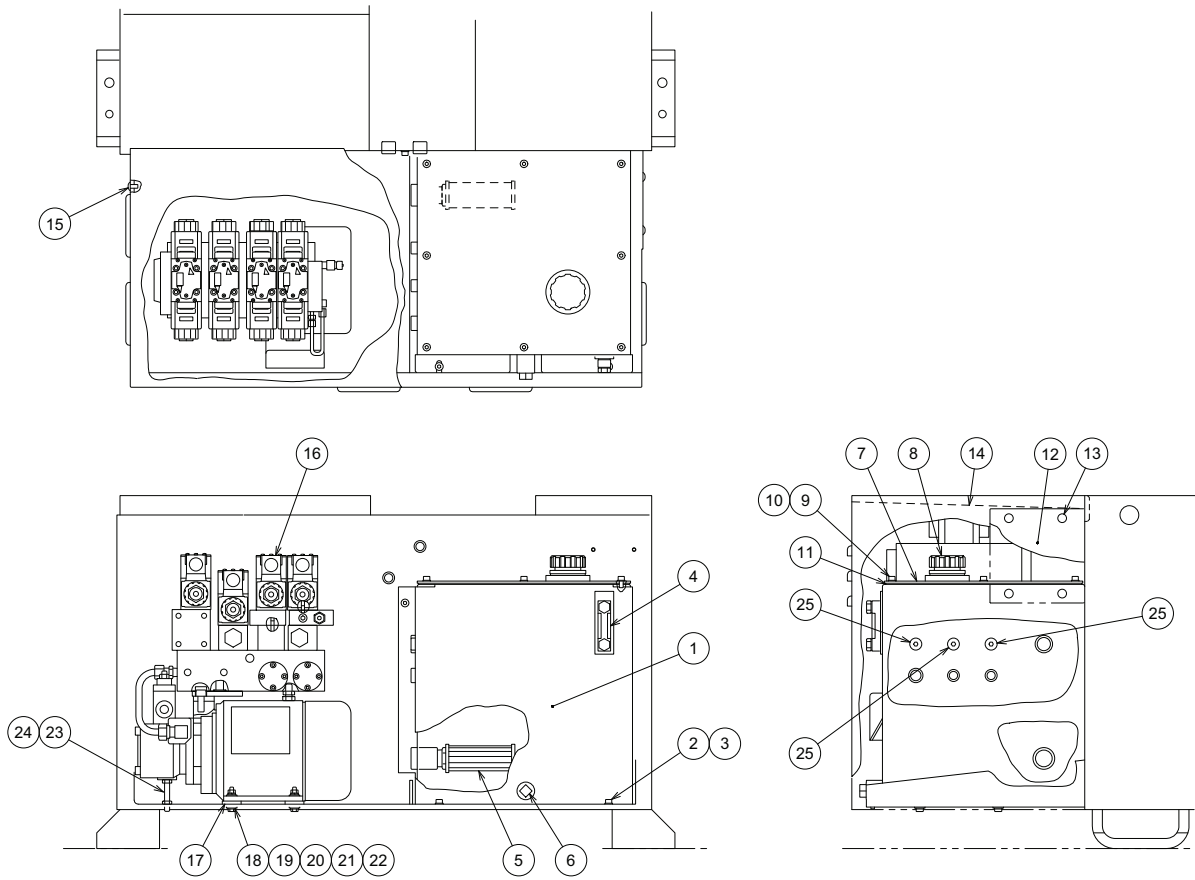


Unit No. 35

Saw Blade Guide(5)

Index	Code	Parts Name	Drawing No.	Type	Maker	Q'ty	Note
1	10300521	Body	RB0045501-	YV-4070-01		1	
2	10300522	Lid	RB0045502-	YV-4070-02		1	
3	10300523	Push Rod	RB0045503-	YV-4070-03		1	
4	10300524	End Plate	RB0045504-	YV-4070-04		1	
5	10300156	Steel Ball (for Bearing)	P406000016	15/32	JIS	1	
6	10300525	Spring	RB0045506-	HH73-03P		1	
7	10300173	O Ring	P590000154	1B-P15	JIS	1	
8	10300176	Piston Packing	P590403107	MYA-6	SAKAGAMI	1	
9	10322226	Pan Head Screw	P334100055	M6X12	JIS	2	
10	10324622	Hex Socket Cap Screw	P330220011	M6X25		2	

Unit No. 36
Hydraulic(1)



RB00500--B

Unit No. 36

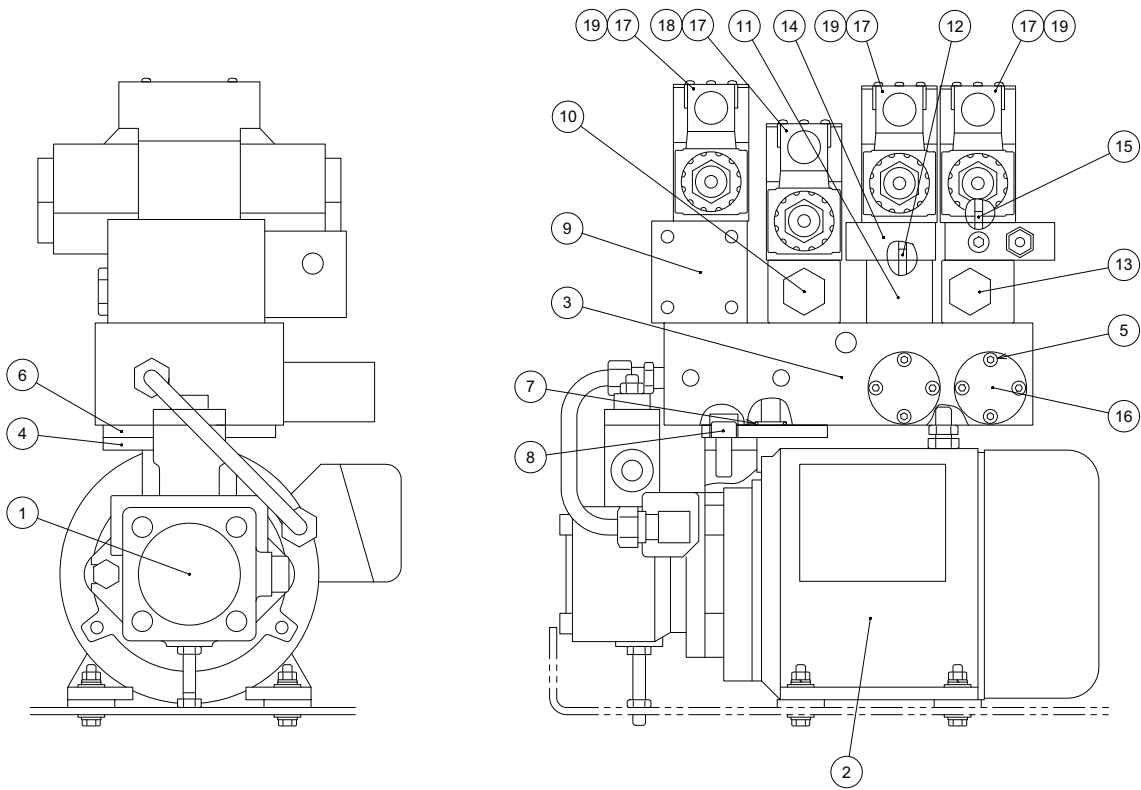
Hydraulic(1)

Index	Code	Parts Name	Drawing No.	Type	Maker	Q'ty	Note
1	10300548	Hydraulic Tank	RB00501--A			1	
2	10323201	Hex Socket Cap Screw	P330220004	M6X12	JIS	3	
3	10321922	Washer	P336000005	6(Normal)	JIS	3	
4	10300177	Level Gauge	P600108043	KLA-60SN-A (Float : Red)	KYOWA	1	
5	10300549	Hydraulic Filter	RB00503---			1	
6	10322231	Plug for Piping	P580180004	1/2		1	
7	10300550	Tank Cover	RB00504---			1	
8	10380475	Oil Cap	P549038013	BM-1•1/2	IMAO Mfg	1	
9	10323201	Hex Socket Cap Screw	P330220004	M6X12	JIS	8	
10	10310351	Spring Washer	P336050005	6	JIS	8	
11	10300551	Sticker (Tank)	RB00505---			1	
12	10300552	Cover	RB00506---			1	
13	10340019	Truss Head Screw	P334130012	M6X12	JIS	4	
14	10300553	Auxiliary Oil Pan Cover	RB00507---			1	
15	10340019	Truss Head Screw	P334130012	M6X12	JIS	2	
16	10300556	Hydraulic Unit	RB00508--B			1	
17	10300571	Rubber Sheet	RB00509--A			4	
18	10358827	Bolt	P330020010	M6X35		4	
19	10589225	Nut	P332000004	M6	JIS	8	

Unit No. 36
Hydraulic(1)

Index	Code	Parts Name	Drawing No.	Type	Maker	Q'ty	Note
20	10321922	Washer	P336000005	6(Normal)	JIS	8	
21	10321923	Washer	P336000006	8(Normal)	JIS	8	
22	10310351	Spring Washer	P336050005	6	JIS	4	
23	10339110	Bolt	P330030013	M8X45		1	
24	10589226	Nut	P332000005	M8	JIS	1	
25	10300171	Plug for Piping	P580208021	PT-1/4		3	

Unit No. 37
Hydraulic(2) <Hydraulic Unit>

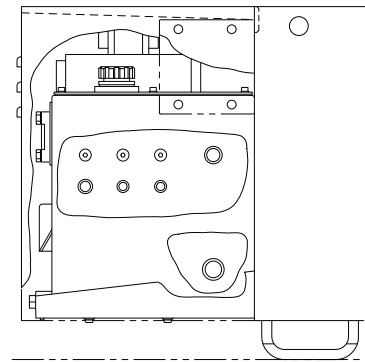
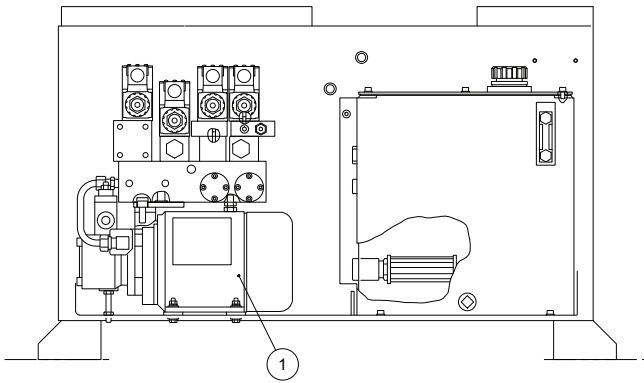
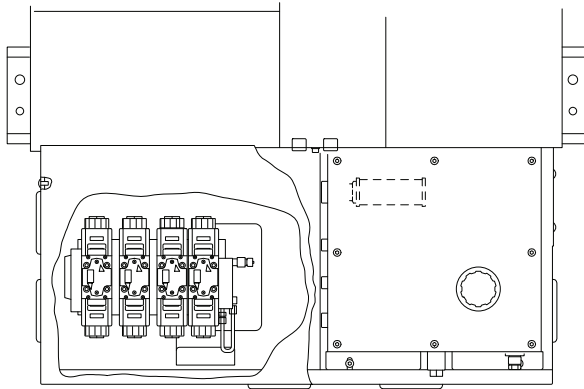


RB00508#1-
(RB00500--B)

Unit No. 37
Hydraulic(2)

Index	Code	Parts Name	Drawing No.	Type	Maker	Q'ty	Note
1	10300557	Hydraulic Pump	RB0050803-	VB1-20F-A2	ASADA	1	
2	10300558	Pump Motor	RB0050804A	0.75kW\$1440rpm(200/220V)		1	
3	10300559	Manifold	RB0050805B			1	
4	10300561	Middle Flange 2	RB0050807B			1	
5	10330102	Hex Socket Cap Screw	P330240007	M10X25		8	
6	10300560	Middle Flange 1	RB0050806B			1	
7	10001117	O Ring	P590000020	P22		1	
8	10001510	Bolt	P330040004	M10X25		2	
9	10300566	Filter	RB0050813-	1309.3-00		1	
10	10300567	Modular Valve	RB0050814-	MPW-02A		1	
11	10300569	Modular Valve	RB0050816-	MCP-02-A		1	
12	10300563	Orifice	RB0050809A			1	
13	10300568	Modular Valve	RB0050815-	MPA-02A		1	
14	10300562	Middle Plate	RB0050808A	80149		1	
15	10300564	Orifice	RB0050810A	80151		1	
16	10300570	Differential Pressure Switch	RB0050817-	1309-2		2	
17	10300565	Solenoid Valve	RB0050812-	D4-02-3C4-D2	ASADA	4	
18	10561516	Hex Socket Cap Screw	P330210023	M5X85	MOURI	4	
19	10300134	Hex Socket Cap Screw	P330210020	M5X110	MOURI	12	

Unit No. 38
Hydraulic(3) <Power Source Voltage:230/460V>

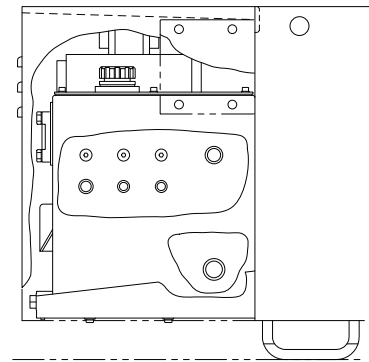
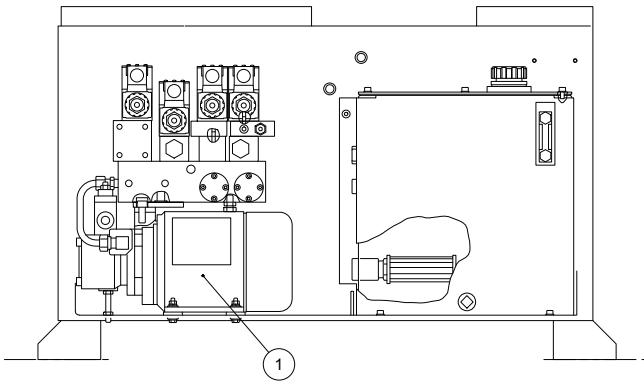
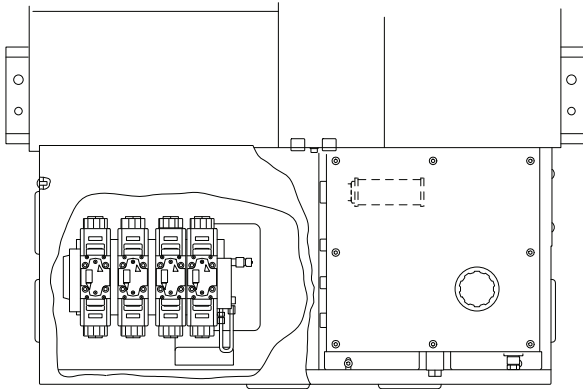


RB01197---
(RB00500--B)

Unit No. 38
Hydraulic(3)

Index	Code	Parts Name	Drawing No.	Type	Maker	Q'ty	Note
1	10301017	Pump Motor ACT	RB01197---	230/460V60Hz		1	

Unit No. 39
Hydraulic(4) <Power Source Voltage:400V>

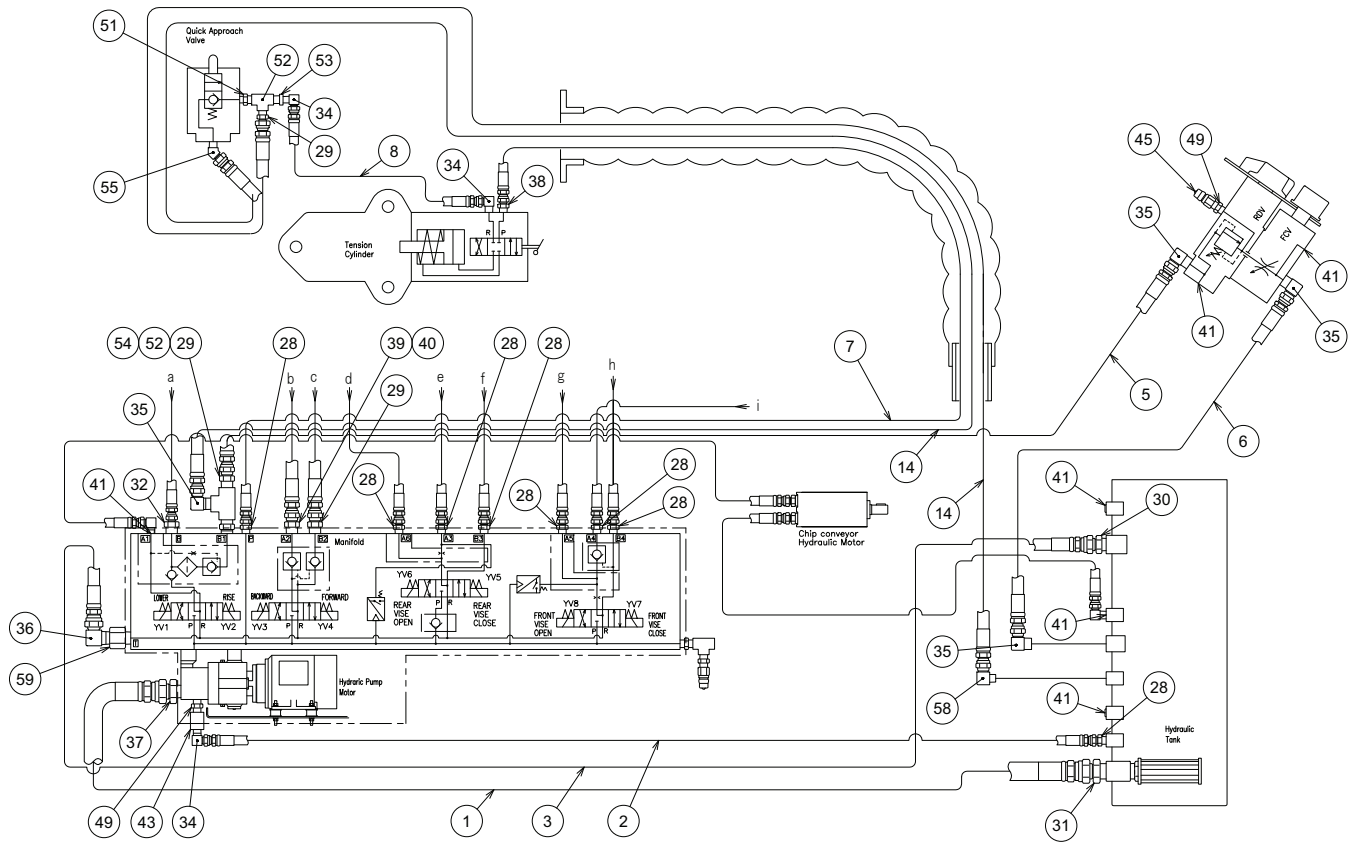


RB01187---
(RB00500--B)

Unit No. 39
Hydraulic(4)

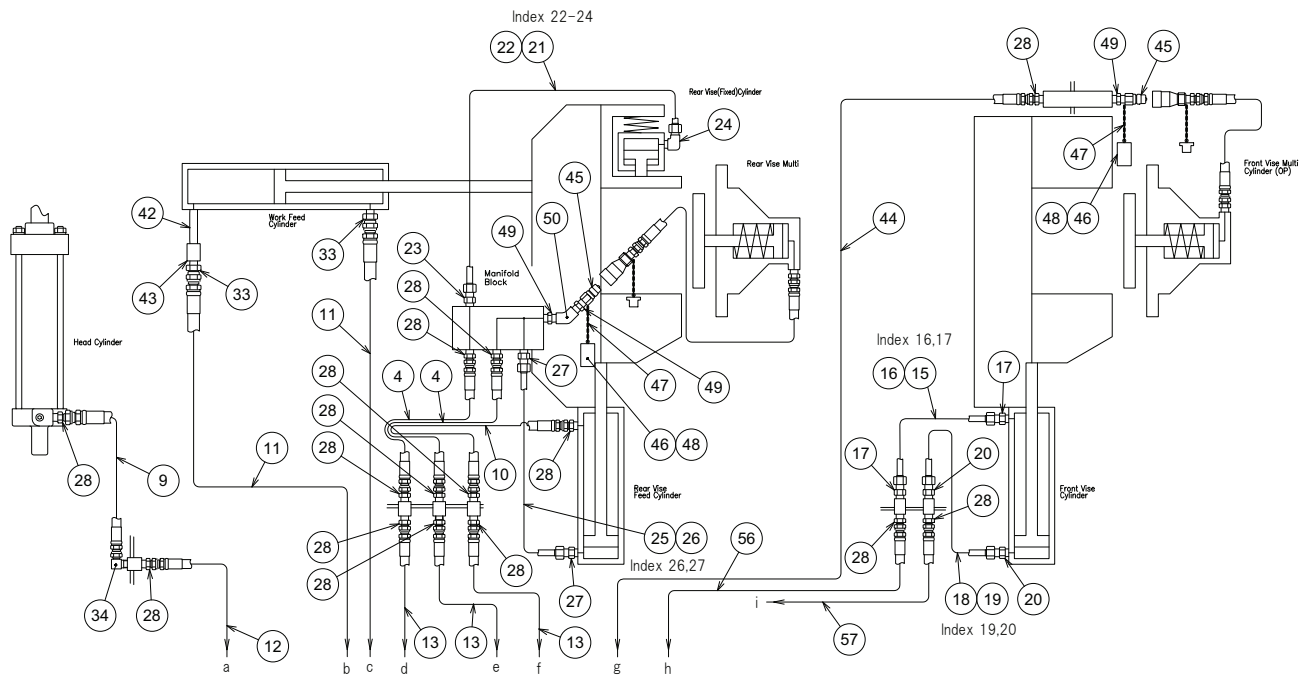
Index	Code	Parts Name	Drawing No.	Type	Maker	Q'ty	Note
1	10301012	Pump Motor 400V	RB01187---	400V50Hz		1	

Unit No. 40
 Hydraulic(5)-1/2 <Piping>



RB00520--E

Unit No. 40
 Hydraulic(5)-2/2 <Piping>



RB00520--E

Unit No. 40
Hydraulic(5)

Index	Code	Parts Name	Drawing No.	Type	Maker	Q'ty	Note
1	10300573	Hydraulic Hose	RB00521---	L=500(3/4)		1	
2	10300574	Hydraulic Hose	RB00522---	L=400(1/4)		1	
3	10300575	Hydraulic Hose	RB00523--A	L=650(1/2)		1	
4	10300576	Hydraulic Hose	RB00524--A	L=900(1/4)		2	
5	10300577	Hydraulic Hose	RB00525--A	L=3200(3/8)		1	
6	10300578	Hydraulic Hose	RB00526---	L=3800(3/8)		1	
7	10300579	Hydraulic Hose	RB00527--A	L=3800(1/4)		1	
8	10300580	Hydraulic Hose	RB00528---	L=2300(1/4)		1	
9	10300581	Hydraulic Hose	RB00529---	L=350(1/4)		1	
10	10300583	Hydraulic Hose	RB00531---	L=980(1/4)		1	
11	10300584	Hydraulic Hose	RB00532---	L=2200(3/8)		2	
12	10300585	Hydraulic Hose	RB00533---	L=1400(1/4)		1	
13	10300586	Hydraulic Hose	RB00534---	L=800(1/4)		3	
14	10300587	Hydraulic Hose	RB00535---	L=3400(3/8)		2	
15	10300588	Pipe	RB00536--B			1	with Index 16,17
16	10300589	Pipe	RB0053611A			1	
17	10589417	Bite Type Pipe Fitting	P585032029	KCT10-020E (Male Connector)	IHARA Science	2	
18	10300590	Pipe	RB00537--B			1	with Index 19,20
19	10300591	Pipe	RB0053711A			1	

Unit No. 40
Hydraulic(5)

Index	Code	Parts Name	Drawing No.	Type	Maker	Q'ty	Note
20	10589417	Bite Type Pipe Fitting	P585032029	KCT10-020E (Male Connector)	IHARA Science	2	
21	10300592	Pipe	RB00538--B			1	with Index 22-23
22	10300593	Pipe	RB0053811A			1	
23	10589417	Bite Type Pipe Fitting	P585032029	KCT10-020E (Male Connector)	IHARA Science	1	
24	10583658	Bite Type Pipe Fitting	P585062056	KLN10-020E	IHARA Science	1	
25	10300594	Pipe	RB00539--B			1	with Index 26,27
26	10300595	Pipe	RB0053911A			1	
27	10589417	Bite Type Pipe Fitting	P585032029	KCT10-020E (Male Connector)	IHARA Science	2	
28	10300596	Male-Male Adapter	RB0054011A	PT1/4-PF1/4		22	
29	10300598	Male-Male Adapter	RB0054014A	PT3/8-PF3/8		3	
30	10300601	Male-Male Adapter	RB0054017A	PT1/2-PF1/2		1	
31	10300602	Male-Male Adapter	RB0054018A	PT3/4-PF3/4		1	
32	10300599	Male-Male Adapter	RB0054015A	PT3/8-PF1/4		1	
33	10300597	Male-Male Adapter	RB0054013B	PT1/4-PF3/8		2	
34	10300603	Elbow	RB0054021A	PT1/4-PF1/4		4	
35	10300605	Elbow	RB0054024A	PT3/8-PF3/8		4	
36	10300606	Elbow	RB0054025A	PT1/2-PF1/2		1	
37	10300614	Male-Male Adapter	RB0054037-	PT1/2-PF3/4		1	
38	10300624	Check Nipple	RB00541--A			1	

Unit No. 40
Hydraulic(5)

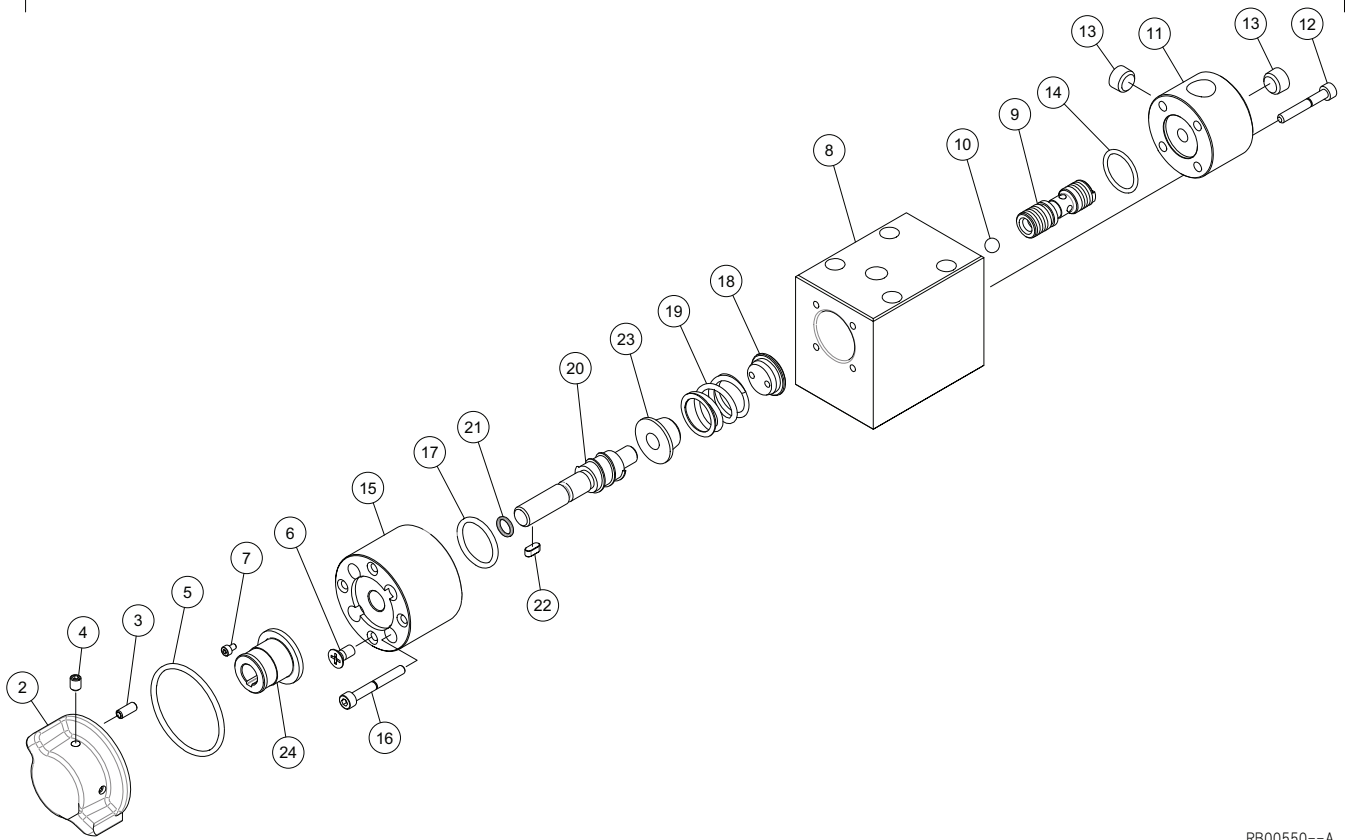
Index	Code	Parts Name	Drawing No.	Type	Maker	Q'ty	Note
39	10300600	Male-Male Adapter	RB0054016A	PT3/8-PF3/8		1	
40	10300607	Bolt for Adapter	RB0054029-			1	
41	10300171	Plug for Piping	P580208021	PT-1/4		6	
42	10300608	Thick Nipple	RB0054030-	1/4		1	
43	10329217	Socket for Piping	P580000002	1/4	JIS	2	
44	10300625	Hydraulic Hose	RB00542--A	L=1300(1/4)		1	
45	10375464	Quick Connect Joint	P589026080	2P-BSBM	NITTO KOHKI	3	
46	10300626	Rubber Cap	RB00543---			2	
47	10300613	Chain	RB0054035-	L=150		2	
48	10329430	Split Pin	P337000034	3.2X22(Mild Steel)	JIS	2	
49	10329329	Nipple	P580020002	1/4	JIS	5	
50	10329364	45 Degrees Elbow	P580060001	1/4	JIS	1	
51	10300169	Nipple	P580028107	MM2-PT3/8-1/4	MARUMA	1	
52	10589413	Tee	P580100003	3/8	JIS	2	
53	10300168	Bush for Piping	P580013002	M-3/8X1/4	BAN SS	1	
54	10378201	Nipple	P580020003	3/8	JIS	1	
55	10300612	Hose Adapter	RB0054034A	G3/8-R1/4		1	
56	10300582	Hydraulic Hose	RB00530---	L=450(1/4)		1	
57	10300627	Hydraulic Hose	RB00544---	L=550(1/4)		1	

Unit No. 40
Hydraulic(5)

Index	Code	Parts Name	Drawing No.	Type	Maker	Q'ty	Note
58	10301126	Elbow	RB0198903-	PT1/4-PF3/8		1	
59	10300167	Socket for Piping	P580002018	SSS04-040J	IHARA Science	1	

Unit No. 41
Hydraulic(6) <Pressure Control Valve>

1 Index 2-24



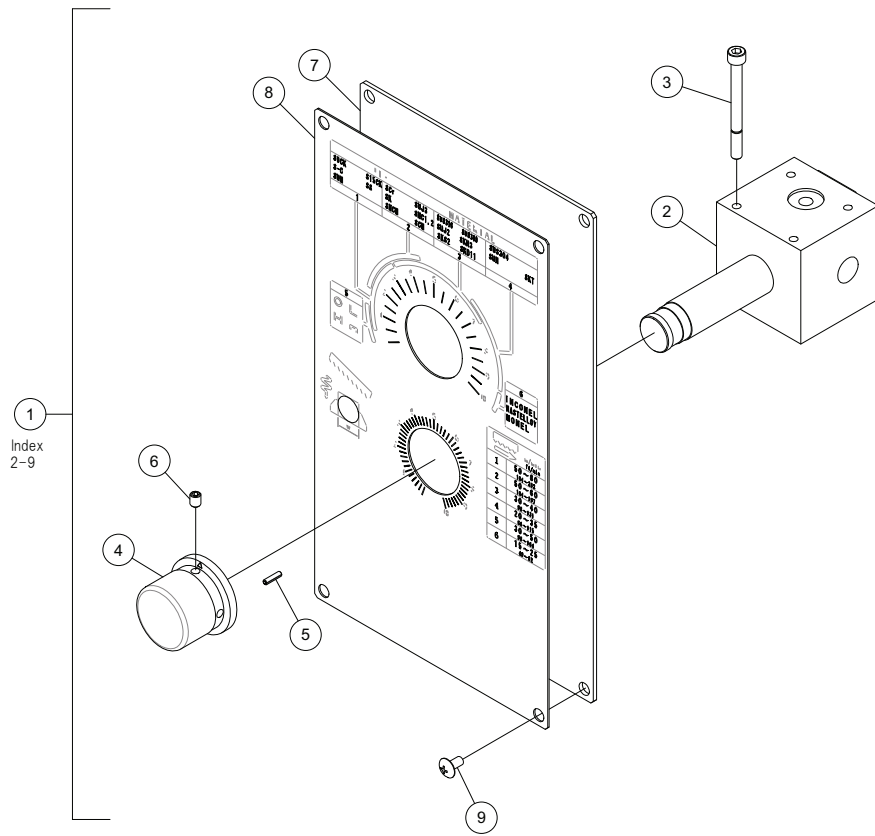
Unit No. 41
Hydraulic(6)

Index	Code	Parts Name	Drawing No.	Type	Maker	Q'ty	Note
1	10302098	Vise Pressure Control Valve ASSY	SBS0130---	RB00551---, RB00552---, RB00553--- others		1	with Index 2-24
2	10300629	Dial	RB00551---			1	
3	10329648	Spring Pin	P337030037	5X12AW	JIS	1	
4	10322120	Socket Set Screw	P330590018	M6X8(Dimple Type)	JIS	2	
5	10332957	O Ring	P590010006	G50		1	
6	10330114	Flat Head Screw	P334110026	M6X12	JIS	4	
7	10372064	Hex Socket Cap Screw	P330200037	M3X5	JIS	2	
8	10300630	Body	RB00552---			1	
9	10300631	Spool	RB00553---			1	
10	10315427	Steel Ball (for Bearing)	P406000005	5/16	JIS	1	
11	10300632	Head Cap	RB00554---			1	
12	10329636	Hex Socket Cap Screw	P330210012	M5X35		4	
13	10300171	Plug for Piping	P580208021	PT-1/4		2	
14	10001117	O Ring	P590000020	P22		1	
15	10300633	End Cap	RB00555--A			1	
16	10329637	Hex Socket Cap Screw	P330210013	M5X40		4	
17	10316424	O Ring	P590010001	G25		1	
18	10300634	Spring Washer	RB00556---			1	
19	10300635	Spring	RB00557---			1	

Unit No. 41
Hydraulic(6)

Index	Code	Parts Name	Drawing No.	Type	Maker	Q'ty	Note
20	10300636	Adjust Screw	RB00558---			1	
21	10314519	O Ring	P590000007	P9		1	
22	10380544	Parallel Key	P436000079	4X4X10(Double Ended Round)	JIS	1	
23	10300637	Spring Washer	RB00559---			1	
24	10300639	Collar	RB00561---			1	

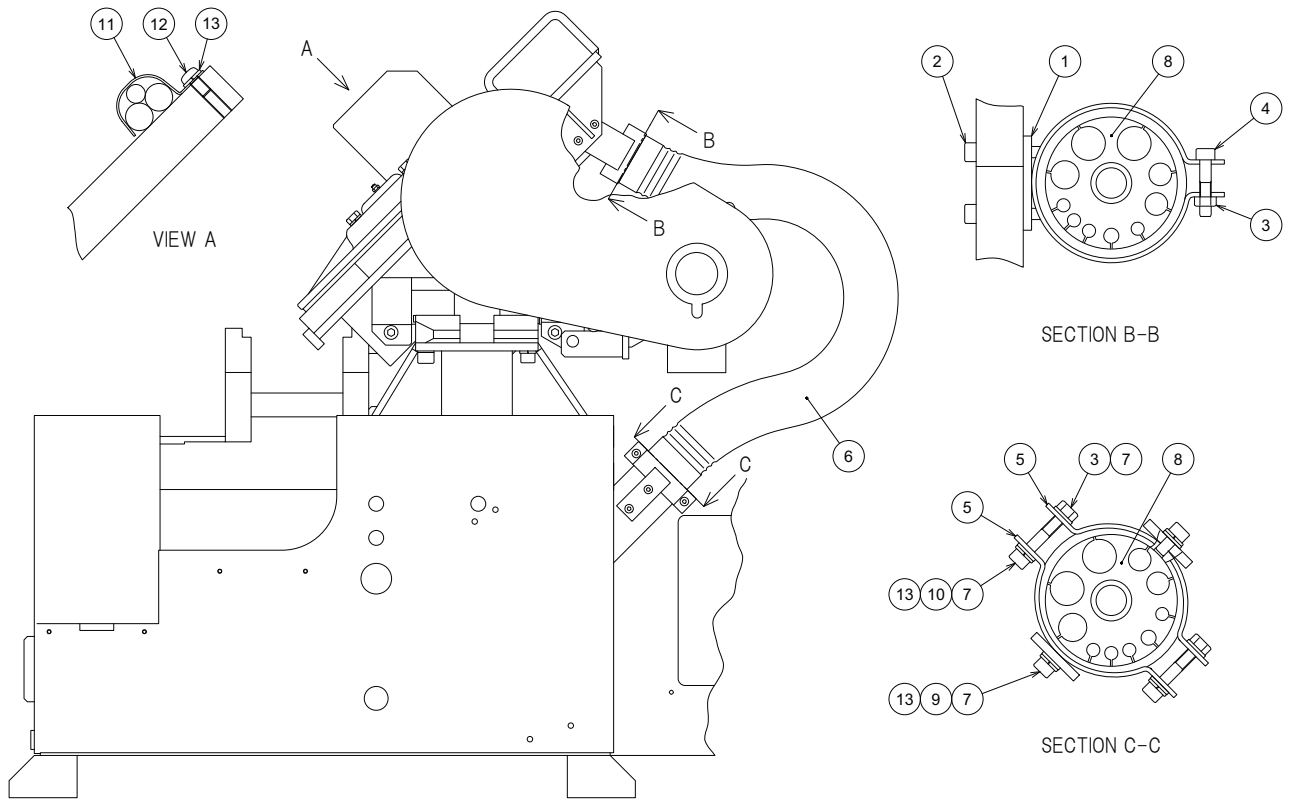
Unit No. 42
 Hydraulic(7) <Flow Control Valve>



Unit No. 42
Hydraulic(7)

Index	Code	Parts Name	Drawing No.	Type	Maker	Q'ty	Note
1	10302099	Flow Control Valve	SBS0131---	RB00562---, RB00563--A, RB00564--- others		1	with Index 2-9
2	10300640	Flow Control Valve	RB00562---			1	
3	10372021	Hex Socket Cap Screw	P330220019	M6X65	MOURI	4	
4	10300655	Dial	RB00563--A			1	
5	10329646	Spring Pin	P337030012	3X12AW	JIS	1	
6	10322120	Socket Set Screw	P330590018	M6X8(Dimple Type)	JIS	2	
7	10300656	Valve Setting Plate	RB00564---			1	
8	10300657	Name Plate	RB00565---			1	
9	10322131	Truss Head Screw	P334130008	M5X10	JIS	4	

Unit No. 43
Hydraulic(8) <Bellows>

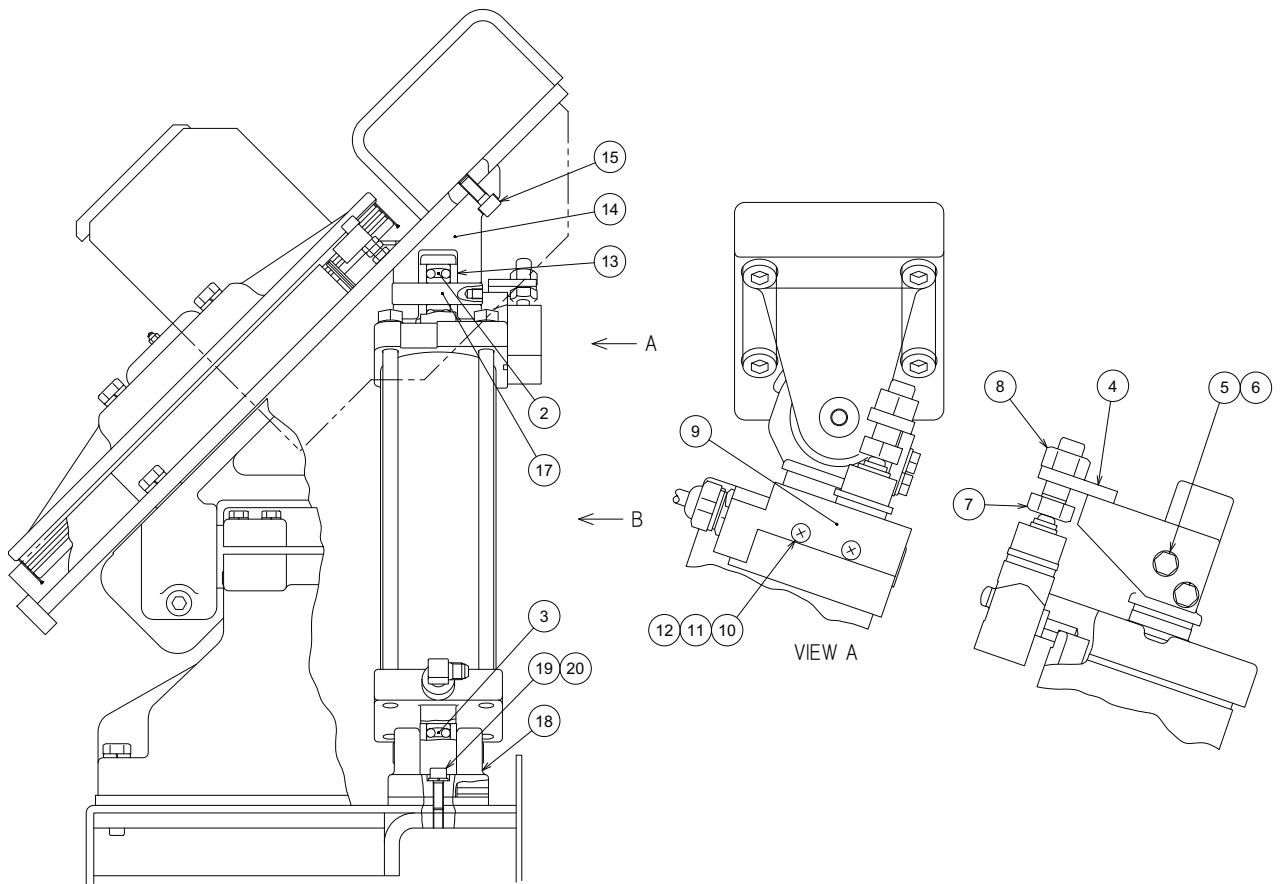


RB00570--A

Unit No. 43
Hydraulic(8)

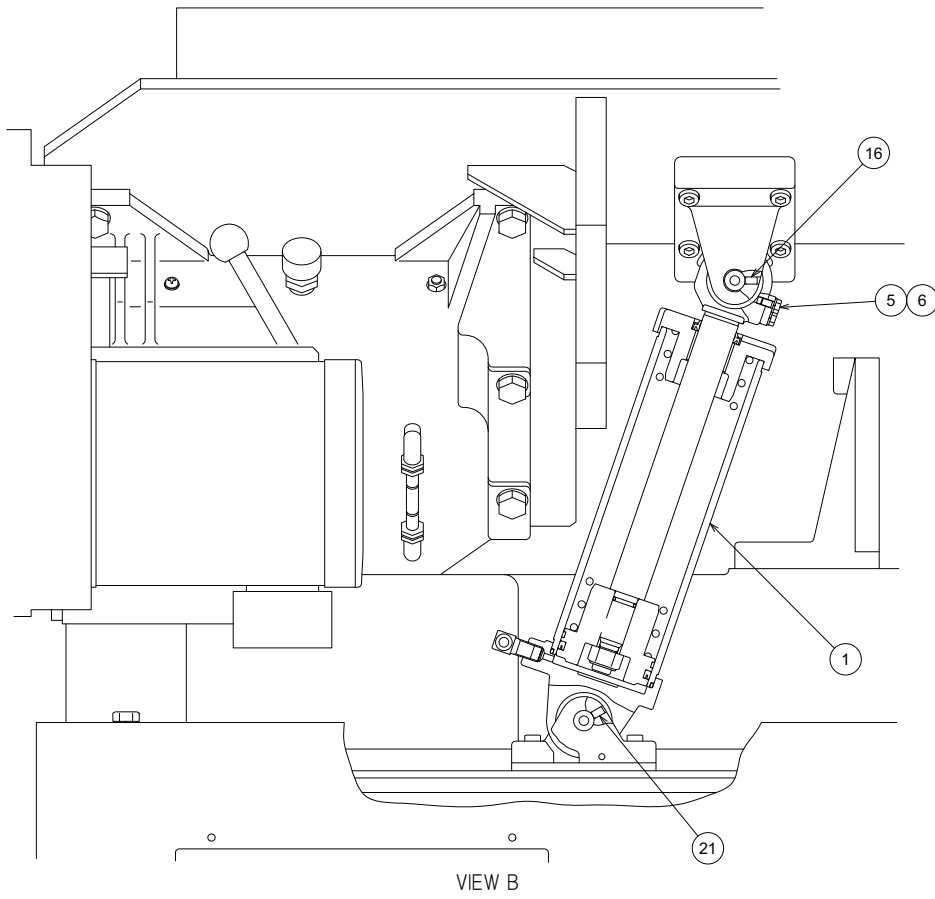
Index	Code	Parts Name	Drawing No.	Type	Maker	Q'ty	Note
1	10300659	Pipe Fitting	RB00571---			1	
2	10358819	Hex Socket Cap Screw	P330220013	M6X35		2	
3	10589225	Nut	P332000004	M6	JIS	3	
4	10325418	Hex Socket Cap Screw	P330220012	M6X30		1	
5	10300660	Pipe Fitting	RB00572---			2	
6	10300661	Bellows Hose	RB00573---			1	
7	10321922	Washer	P336000005	6(Normal)	JIS	8	
8	10300662	Hose Retainer	RB00574--B			2	
9	10323201	Hex Socket Cap Screw	P330220004	M6X12	JIS	4	
10	10358819	Hex Socket Cap Screw	P330220013	M6X35		2	
11	10382338	Saddle for Conduit	P381017006	CH-22	DAIWA DENGYO	1	
12	10322226	Pan Head Screw	P334100055	M6X12	JIS	1	
13	10310351	Spring Washer	P336050005	6	JIS	7	

Unit No. 44
Head Cylinder(1)-1/2



RB00580---

Unit No. 44
Head Cylinder(1)-2/2



RB00580---

Unit No. 44

Head Cylinder(1)

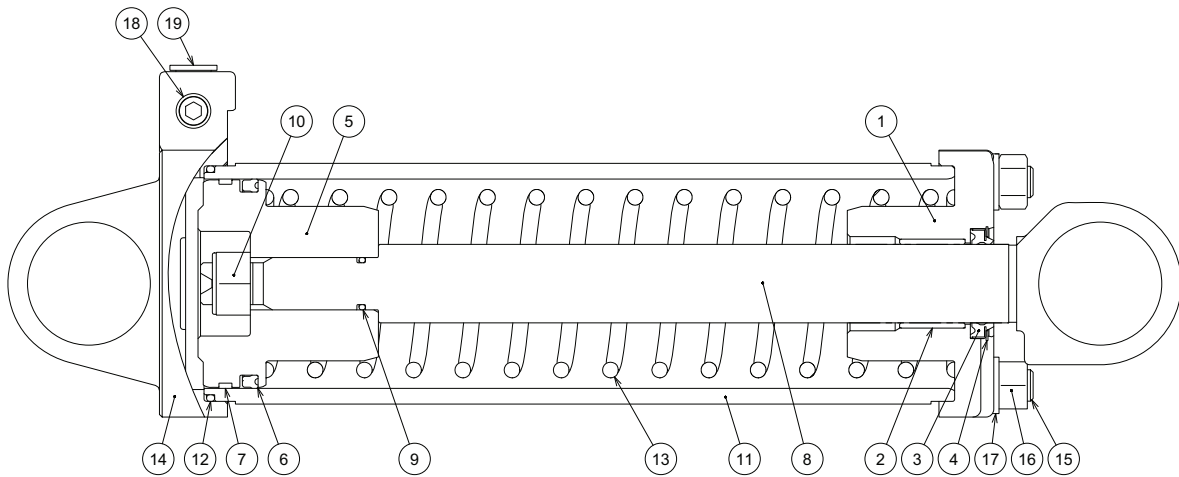
Index	Code	Parts Name	Drawing No.	Type	Maker	Q'ty	Note
1	10300664	Head Cylinder ASSY	RB00581--A			1	
2	10316429	Ball Bearing	P400077004	2303	NSK	1	
3	10316429	Ball Bearing	P400077004	2303	NSK	1	
4	10300673	LS Dog	RB00590---			1	
5	10325407	Bolt	P330020003	M6X12	JIS	2	
6	10310351	Spring Washer	P336050005	6	JIS	2	
7	10338219	Bolt	P330050003	M12X30		1	
8	10589227	Nut	P332000007	M12	JIS	1	
9	10204724	Limit Switch	P828012022	ZE-N-2	OMRON	1	
10	10328314	Pan Head Screw	P334100027	M4X35	JIS	2	
11	10337110	Washer	P336000003	4(Small Round)	JIS	2	
12	10318527	Spring Washer	P336050003	4	JIS	2	
13	10300674	Bearing Retainer	RB00591---			4	
14	10300675	Upper Cylinder Support	RB00592---			1	
15	10330102	Hex Socket Cap Screw	P330240007	M10X25		4	
16	10323229	Socket Set Screw	P330550026	M6X10(Flat Type)	JIS	1	
17	10300676	Hinge Shaft	RB00593---			2	
18	10300677	Lower Cylinder Support	RB00594---			1	
19	10323202	Hex Socket Cap Screw	P330230007	M8X25		2	

Unit No. 44

Head Cylinder(1)

Index	Code	Parts Name	Drawing No.	Type	Maker	Q'ty	Note
20	10001521	Spring Washer	P336050006	8	JIS	2	
21	10323229	Socket Set Screw	P330550026	M6X10(Flat Type)	JIS	1	

Unit No. 45
Head Cylinder(2) <Head Cylinder ASSY>

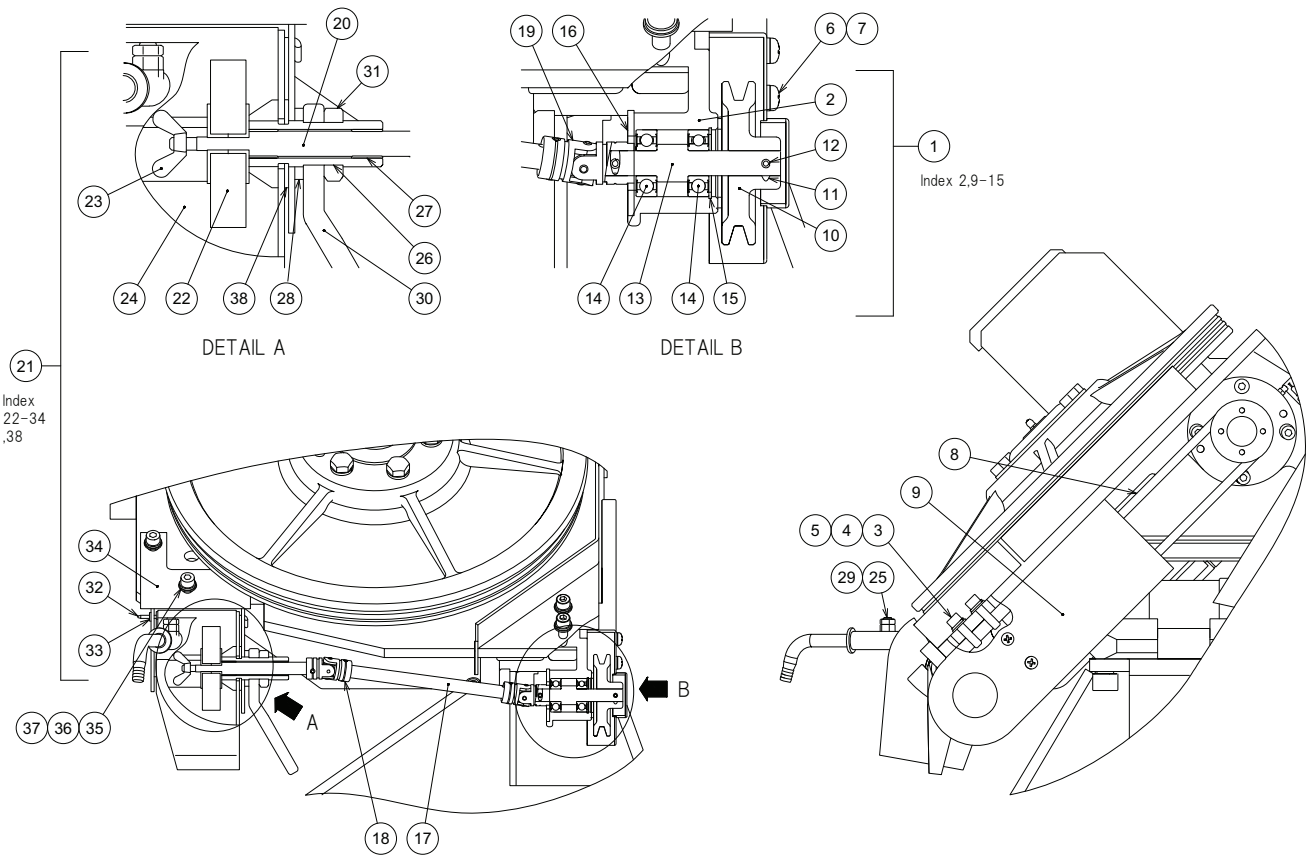


RB00581--A

Unit No. 45
Head Cylinder(2)

Index	Code	Parts Name	Drawing No.	Type	Maker	Q'ty	Note
1	10300665	Upper Cylinder Cap	RB00582---			1	
2	10579842	Bushing	P407003177	DUB3025	DAIDO METAL	1	
3	10338202	Wiper Ring	P590313004	SCB-30	SAKAGAMI	1	
4	10300174	Backup Ring	P590043031	DSP-30	SAKAGAMI	1	
5	10300666	Piston	RB00583---			1	
6	10376684	Piston Packing	P590403055	SKY-70	SAKAGAMI	1	
7	10359913	Wearing	P590473021	SWB-80	SAKAGAMI	1	
8	10300667	Piston Rod	RB00584---			1	
9	10003901	O Ring	P590000016	P16		1	
10	10589242	Locking Nut	P332505044	M16X2(Type-1)-SS400	FUJI SEIMITSU	1	
11	10300668	Cylinder	RB00585---			1	
12	10103818	O Ring	P590010013	G85		1	
13	10300669	Spring	RB00586---			1	
14	10300670	Lower Cylinder Cap	RB00587--A			1	
15	10300671	Tie Rod Bolt	RB00588---			4	
16	10589227	Nut	P332000007	M12	JIS	4	
17	10000829	Spring Washer	P336050008	12	JIS	4	
18	10300171	Plug for Piping	P580208021	PT-1/4		1	
19	10300672	Cap	RB00589---			1	

Unit No. 46
Wire Brush



RB00600--B

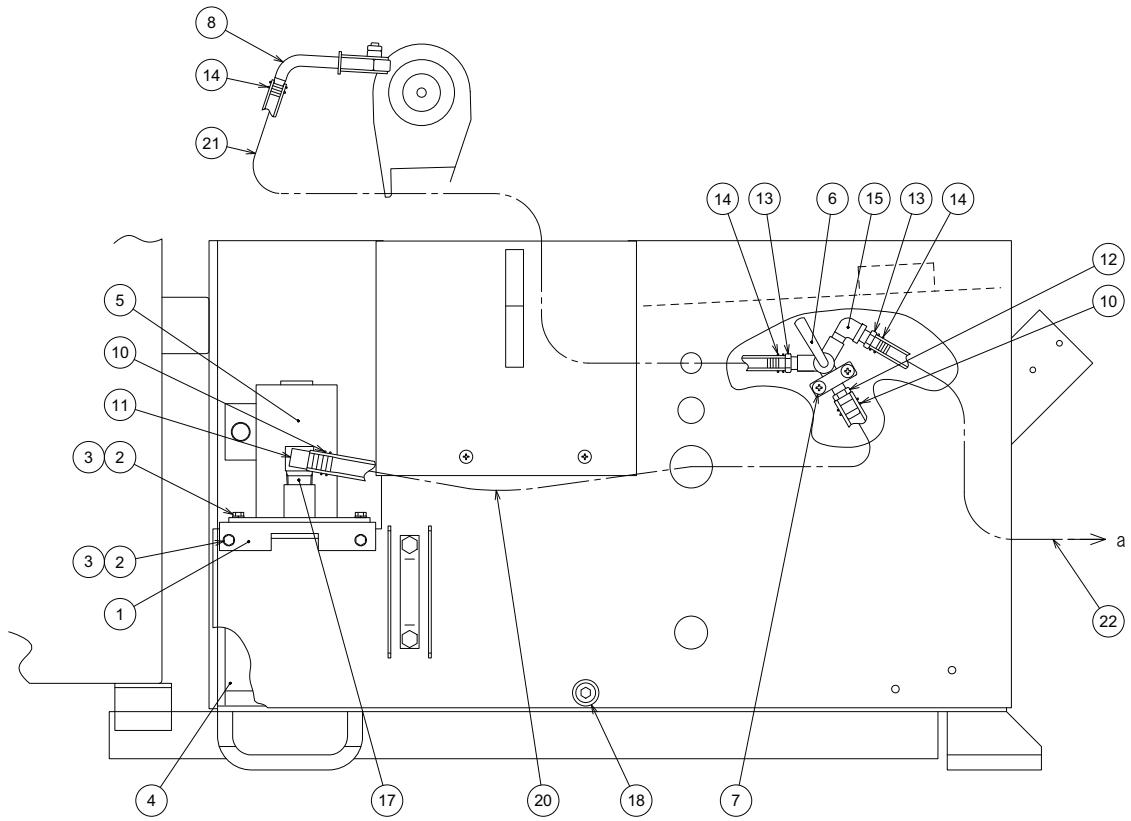
Unit No. 46
Wire Brush

Index	Code	Parts Name	Drawing No.	Type	Maker	Q'ty	Note
1	10302087	Pulley Bracket ASSY	SBS0120---	RB00601---, RB00603---, RB00604--- others		1	with Index 2,10-16
2	10300679	Bearing Bracket	RB00601---			1	
3	10330101	Hex Socket Cap Screw	P330230008	M8X30		2	
4	10321923	Washer	P336000006	8(Normal)	JIS	2	
5	10001521	Spring Washer	P336050006	8	JIS	2	
6	10325312	Pan Head Screw	P334100054	M6X10	JIS	2	
7	10310351	Spring Washer	P336050005	6	JIS	2	
8	10314205	V-belt	P223000011	M37		1	
9	10300680	Pulley Cover	RB00602---			1	
10	10300681	Brush Pulley	RB00603---			1	
11	10322119	Socket Set Screw	P330550024	M6X6(Flat Type)	JIS	1	
12	10332128	Spring Pin	P337030029	4X25AW	JIS	1	
13	10300682	Pulley Shaft	RB00604---			1	
14	10335427	Deep Groove Ball Bearing	P400010760	6201DDU	NSK(equality)	2	
15	10314126	Locating Snap Ring	P406108010	RTW-32	OCHIAI	1	
16	10300683	Seal Rubber	RB00605---			1	
17	10300684	Shaft	RB00606---			1	
18	10335432	Spring Pin	P337038002	SPP-4.5X20	OCHIAI	4	
19	10300685	Universal Joint D12	RB00607---			2	

Unit No. 46
Wire Brush

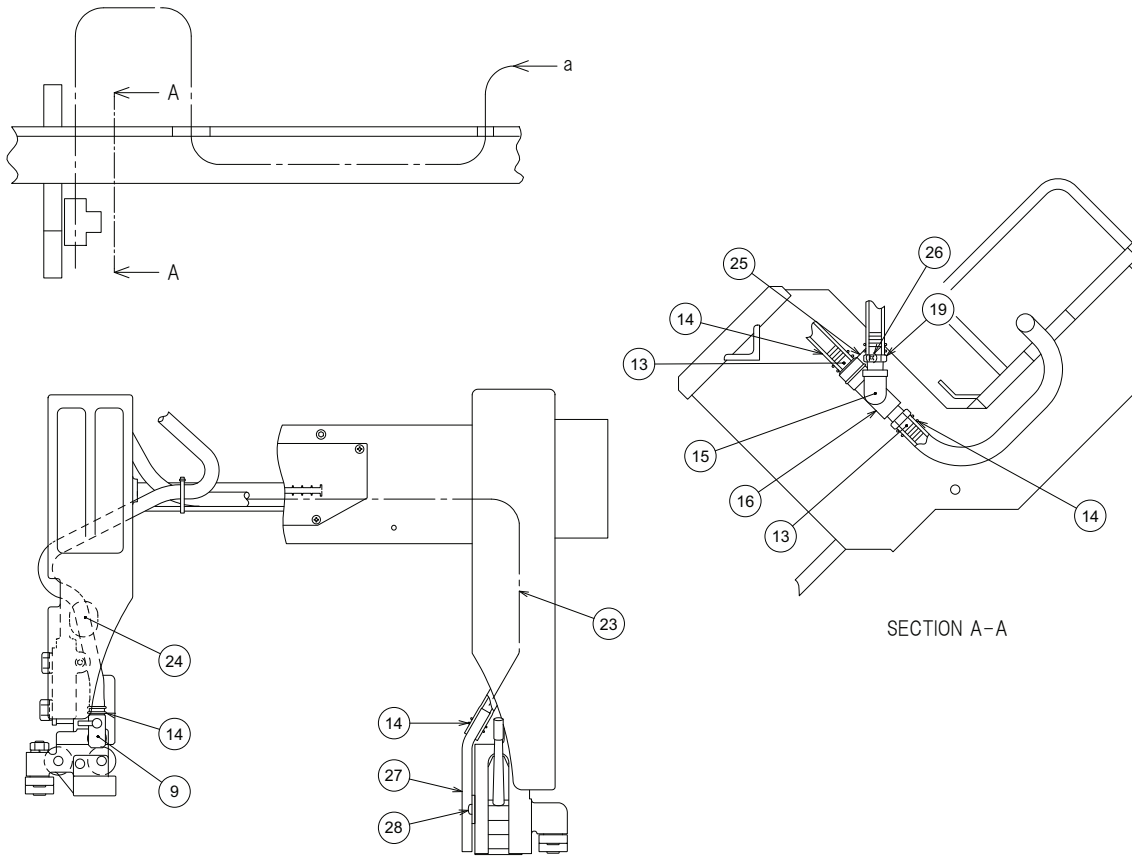
Index	Code	Parts Name	Drawing No.	Type	Maker	Q'ty	Note
20	10300686	Brush Shaft	RB00608---			1	
21	10302088	Brush Cover ASSY	SBS0121---	RB00609---, RB00610---, RB00611--A others		1	with Index 22-34,38
22	10300687	Wire Brush	RB00609---			1	
23	10583670	Wing Nut	P338030012	M6(Type-1A)	JIS	1	
24	10300688	Brush Cover	RB00610---			1	
25	10583672	Ball Plunger	P338116011	BSR8X30	IMAO Mfg	1	
26	10300689	Brush Shaft Support	RB00611--A			1	
27	10581022	Plain Bearing	P407003148	DUB1215	DAIDO METAL	2	
28	10300141	Washer	P336000013	22(Normal)	JIS	1	
29	10323101	Nut	P332000062	M8(Type-3)	JIS	1	
30	10300690	Lock Lever	RB00612---			1	
31	10300691	Nut M22X1.5	RB00613---			1	
32	10300692	Cover Hinge Pin	RB00614---			1	
33	10300160	Locating Snap Ring	P406108122	ETW-3	OCHIAI	1	
34	10300693	Brush Bracket	RB00615---			1	
35	10330101	Hex Socket Cap Screw	P330230008	M8X30		2	
36	10321923	Washer	P336000006	8(Normal)	JIS	2	
37	10001521	Spring Washer	P336050006	8	JIS	2	
38	10380588	Bearing Ring	P406127021	FTRA-2542	NSK	1	

Unit No. 47
Cutting Fluid(1)-1/2 <Piping>



RB00620--D

Unit No. 47
Cutting Fluid(1)-2/2 <Piping>



RB00620--D

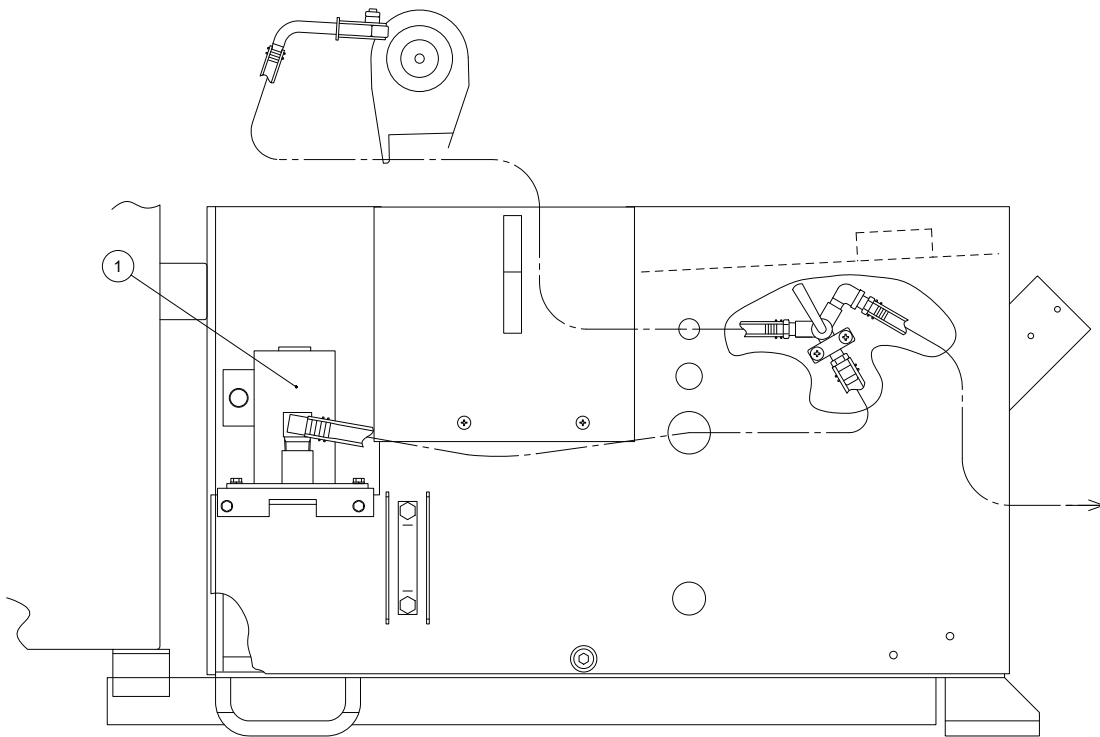
Unit No. 47
Cutting Fluid(1)

Index	Code	Parts Name	Drawing No.	Type	Maker	Q'ty	Note
1	10300695	Pump Base	RB00621--B			1	
2	10371906	Bolt	P330020006	M6X16	JIS	6	
3	10310351	Spring Washer	P336050005	6	JIS	6	
4	10300696	Bucket	RB00622---			1	
5	10300697	Coolant Pump	RB00623--B	AB-50(120W)		1	
6	10300698	3-way Cock	RB00624---		YBSC2	1	
7	10340019	Truss Head Screw	P334130012	M6X12	JIS	2	
8	10300699	Nozzle	RB00625---			1	
9	10300700	P-cock	RB00626---			1	
10	10380603	Hose Band	P381008028	AK-1022	SUGITAVALVE	2	
11	10300092	Elbow	1109887			1	
12	10300701	Vinyl Hose Connector	RB0062701-			1	
13	10300702	Vinyl Hose Connector	RB0062702-			4	
14	10380357	Hose Band	P381008029	AK-1016	SUGITAVALVE	8	
15	10359921	Elbow	P580050011	1/4(Male-Female)	JIS	2	
16	10300170	Tee	P580100002	1/4	JIS	1	
17	10300704	Elbow	RB0062704A	PT3/8-PT3/4		1	
18	10382331	Plug for Piping	P580208025	PT-1/2		1	
19	10300703	Pipe Fitting	RB0062703-			1	

Unit No. 47
Cutting Fluid(1)

Index	Code	Parts Name	Drawing No.	Type	Maker	Q'ty	Note
20	10300616	Blade Hose	RB0054041-	D22XD15-830		1	
21	10300617	Blade Hose	RB0054042-	D15.5XD10-2000		1	
22	10300618	Blade Hose	RB0054043-	D15.5XD10-2200		1	
23	10300619	Blade Hose	RB0054044-	D15.5XD10-900		1	
24	10300620	Blade Hose	RB0054045-	D15.5XD10-780		1	
25	10300149	Saddle for Conduit	P381017119	CH-16.15	DAIWA DENGYO	1	
26	10322224	Pan Head Screw	P334100039	M5X10	JIS	1	
27	10300705	Coolant Nozzle	RB00628---			1	
28	10322226	Pan Head Screw	P334100055	M6X12	JIS	2	

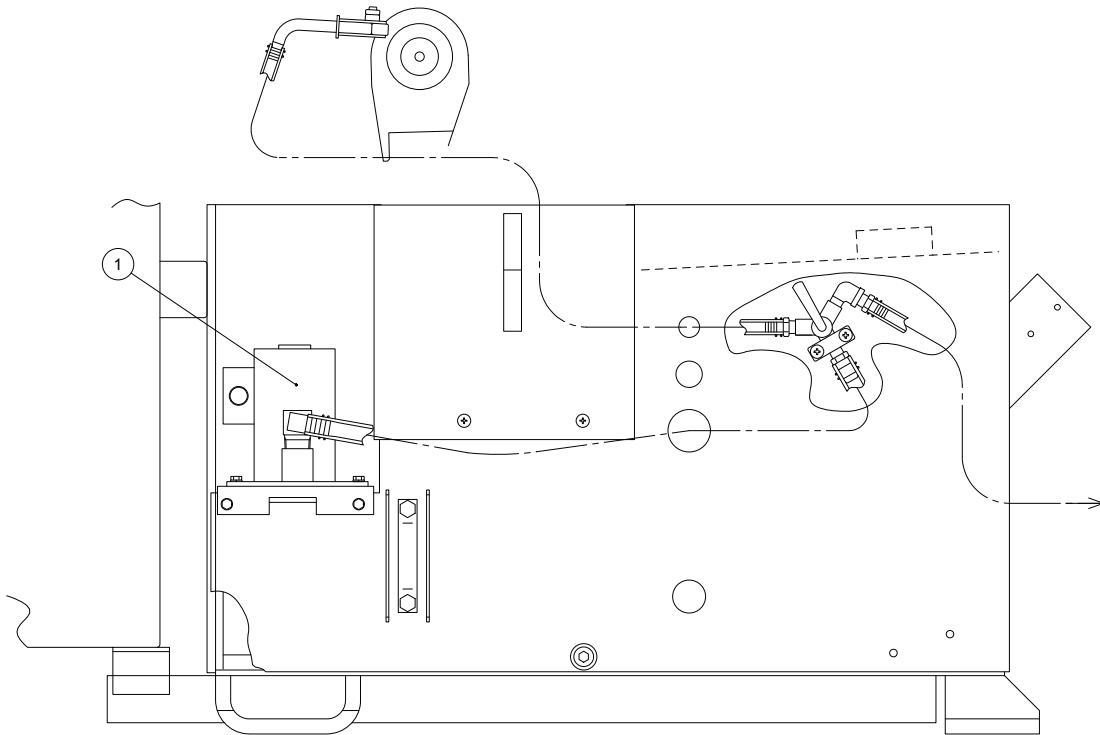
Unit No. 48
Cutting Fluid(2) <Power Source Voltage:230/460V>



Unit No. 48
Cutting Fluid(2)

Index	Code	Parts Name	Drawing No.	Type	Maker	Q'ty	Note
1	10301018	Coolant Pump ATC	RB01198---	230/460V/60Hz		1	

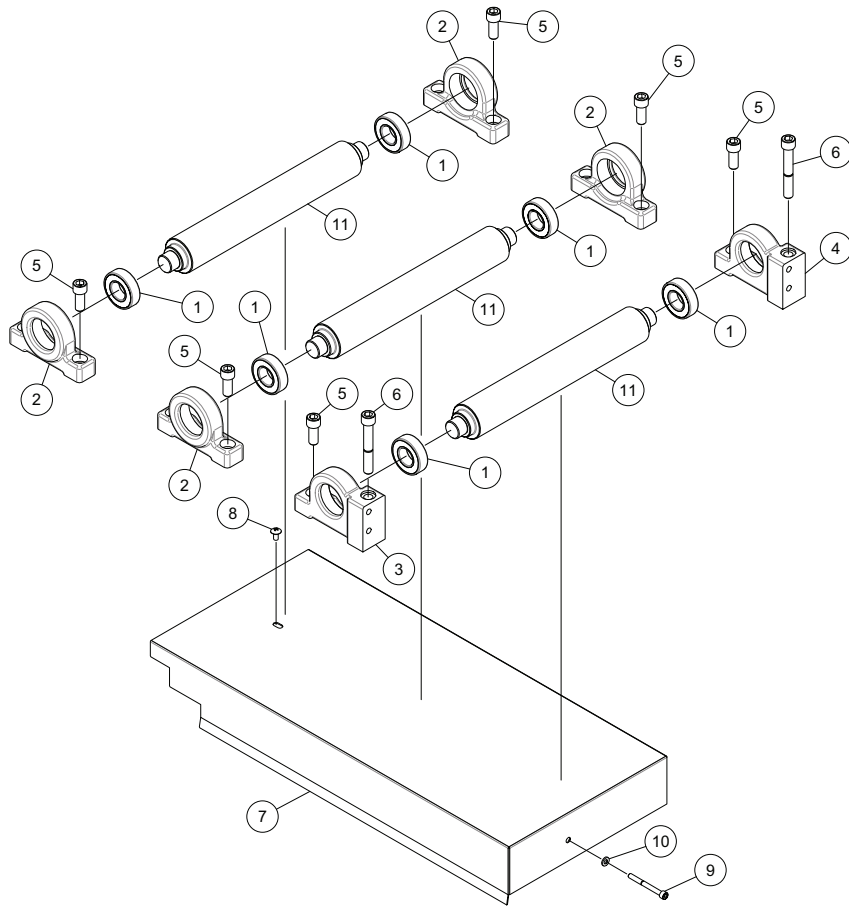
Unit No. 49
Cutting Fluid(3) <Power Source Voltage:400V>



Unit No. 49
Cutting Fluid(3)

Index	Code	Parts Name	Drawing No.	Type	Maker	Q'ty	Note
1	10301013	Coolant Pump 400V	RB01188---	400V/50Hz		1	

Unit No. 50
Work Feeding Unit(1) <Feeding Work Tray>



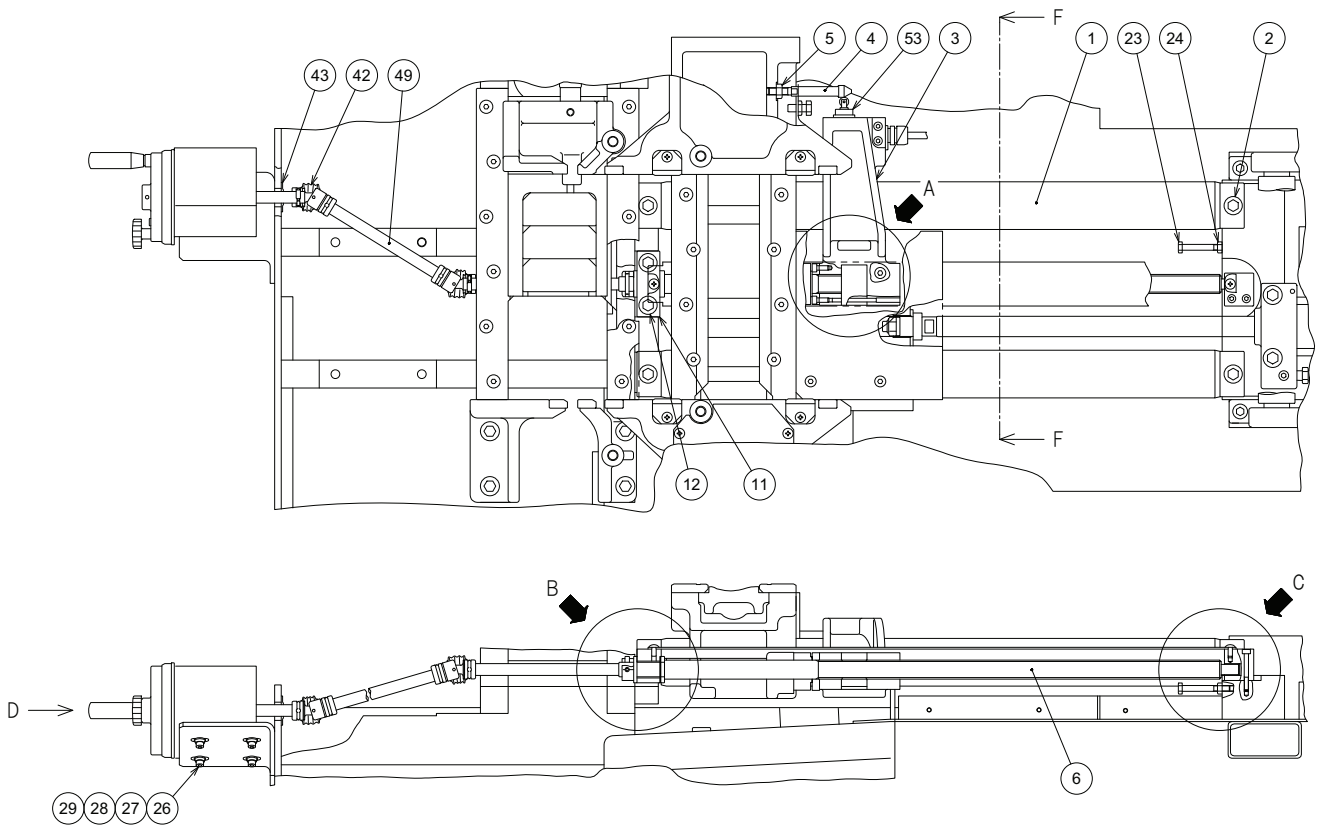
RB00630---

Unit No. 50

Work Feeding Unit(1)

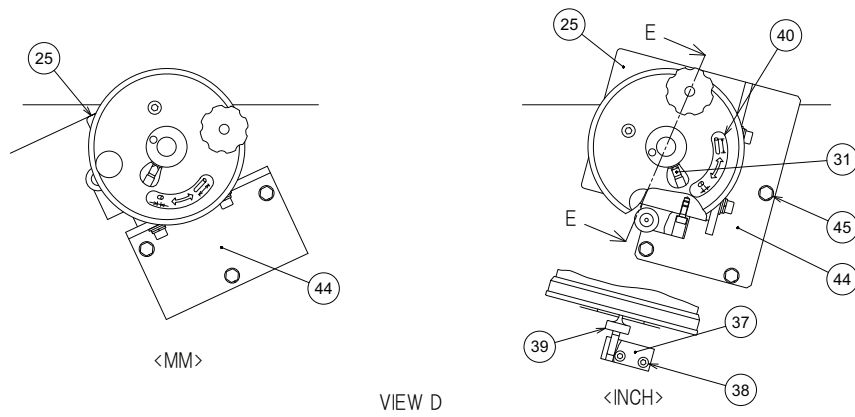
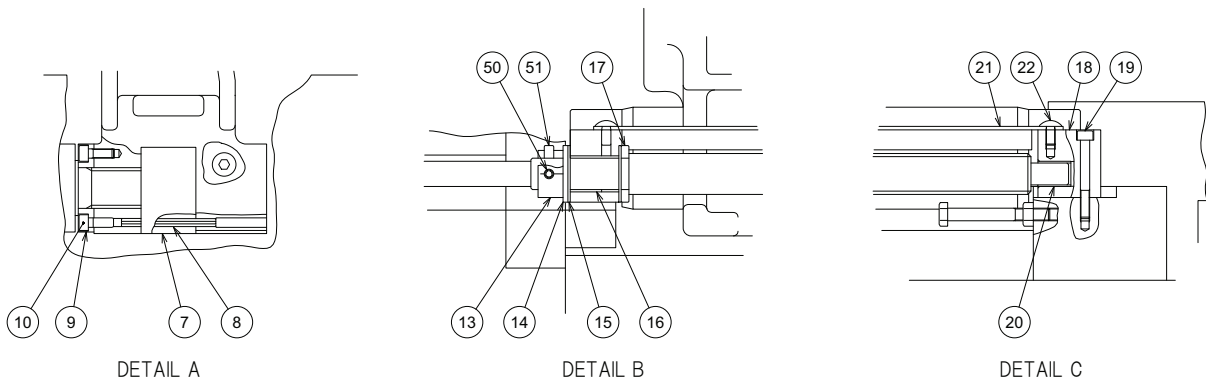
Index	Code	Parts Name	Drawing No.	Type	Maker	Q'ty	Note
1	10332038	Deep Groove Ball Bearing	P400010666	6205ZZ	NSK(equality)	6	
2	10300707	Roller Bracket	RB00631---			4	
3	10300708	Roller Bracket R,RM	RB00632---			1	
4	10300709	Roller Bracket R,L	RB00633---			1	
5	10322203	Hex Socket Cap Screw	P330250005	M12X30		10	
6	10000830	Hex Socket Cap Screw	P330250015	M12X80		2	
7	10300710	Cylinder Cover	RB00634---			1	
8	10340019	Truss Head Screw	P334130012	M6X12	JIS	1	
9	10329645	Hex Socket Cap Screw	P330220018	M6X60		1	
10	10321922	Washer	P336000005	6(Normal)	JIS	1	
11	10300711	Roller	RB00635---			3	

Unit No. 51
 Work Feeding Unit(2)-1/3 <Work Feed>



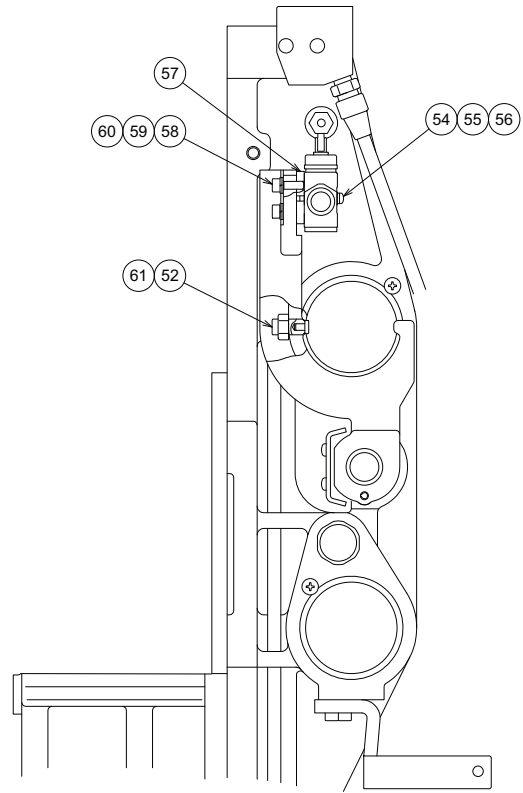
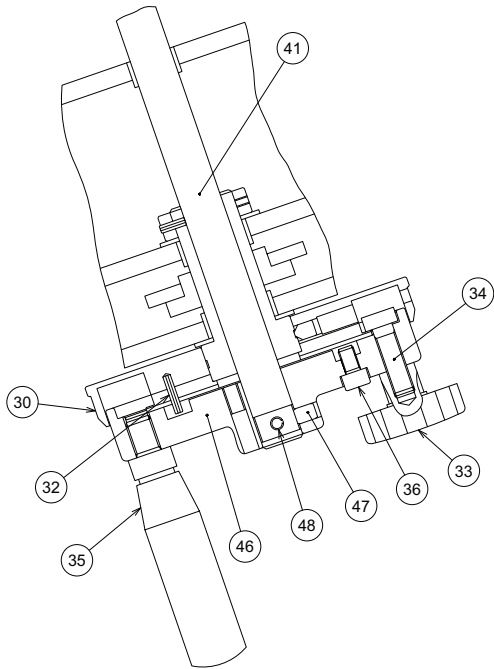
RB00640--C

Unit No. 51
 Work Feeding Unit(2)-2/3 <Work Feed>



RB00640--C

Unit No. 51
Work Feeding Unit(2)-3/3 <Work Feed>



Unit No. 51

Work Feeding Unit(2)

Index	Code	Parts Name	Drawing No.	Type	Maker	Q'ty	Note
1	10300713	Guide Shaft	RB00641--A			2	
2	10300714	Reamer Bolt	RB00642---			4	
3	10300715	Stopper Bracket	RB00643--A			1	
4	10300716	Dog 1	RB00644---			1	
5	10427991	Nut	P332000006	M10	JIS	1	
6	10300717	Gauge Screw	RB00645---			1	
7	10300718	Screw Bushing	RB00646---			1	
8	10332130	Spring Pin	P337030053	5X60AW	OHKITA	1	
9	10300719	Pusher	RB00647---			1	
10	10312831	Hex Socket Cap Screw	P330220006	M6X15		2	
11	10300720	Bracket F	RB00648---			1	
12	10300714	Reamer Bolt	RB00642---			2	
13	10300721	Nut	RB00650--A	M20(Type-1) Add Works		1	
14	10583685	Plain Bearing	P407023026	DUT18	DAIDO METAL	2	
15	10332110	Washer	P336000012	20(Normal)	JIS	1	
16	10300166	Plain Bearing	P407003232	DUB2020	DAIDO METAL	1	
17	10300722	Collar	RB00651---			1	
18	10300723	Bracket R	RB00652---			1	
19	10326113	Hex Socket Cap Screw	P330220016	M6X50		2	

Unit No. 51

Work Feeding Unit(2)

Index	Code	Parts Name	Drawing No.	Type	Maker	Q'ty	Note
20	10300161	Plain Bearing	P407003153	DUB1420	DAIDO METAL	1	
21	10300724	Cover	RB00653---			1	
22	10340019	Truss Head Screw	P334130012	M6X12	JIS	2	
23	10372060	Bolt	P330030020	M8X65		1	
24	10589226	Nut	P332000005	M8	JIS	1	
25	10300108	Backgauge Counter	7720527---	A-4007(BG-24(2)E	LINE SEIKI	1	mm
25	10583689	Counter mm/inch	7720562	A-4007(BG-224(2)	LINE SEIKI	1	inch
26	10321922	Washer	P336000005	6(Normal)	JIS	7	
27	10310351	Spring Washer	P336050005	6	JIS	7	
28	10321923	Washer	P336000006	8(Normal)	JIS	4	
29	10312832	Hex Socket Cap Screw	P330220009	M6X20	JIS	4	
30	10300725	Collar	RB00655---			1	
31	10326707	Socket Set Screw	P330580019	M6X8(Sharp Type)	JIS	2	inch
32	10339123	Spring Pin	P337030014	3X15AW	OHKITA	1	
33	10332060	Knob	P317294003	EK40T	IMAO Mfg	1	
34	10332064	Square Bolt	P330130001	M8X27	JIS	1	
35	10332055	Knob	P317264003	ER22	IMAO Mfg	1	
36	10589206	Hex Socket Cap Screw	P330220003	M6X10		1	
37	10300726	Stopper Block	RB00656---			1	inch

Unit No. 51

Work Feeding Unit(2)

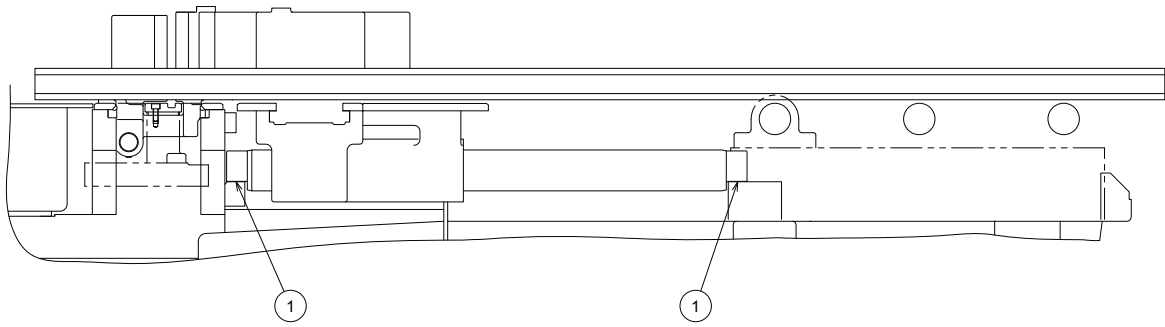
Index	Code	Parts Name	Drawing No.	Type	Maker	Q'ty	Note
38	10328329	Hex Socket Cap Screw	P330210003	M5X10		2	inch
39	10300727	Lock Knob	RB00657---	D20		1	inch
40	10300728	Sticker	RB00658---			1	inch
41	10300729	Handle Shaft	RB00659---			1	
42	10300730	Universal Joint D16	RB00660---			2	
43	10300731	Seal Ring	RB00661---			1	
44	10300732	Counter Bracket	RB00662---			1	mm
44	10300739	Counter Bracket	RB00672---			1	inch
45	10332109	Bolt	P330020005	M6X15		3	inch
46	10300733	Handle	RB00663---			1	
47	10322120	Socket Set Screw	P330590018	M6X8(Dimple Type)	JIS	1	
48	10332129	Spring Pin	P337030044	5X28AW	JIS	1	
49	10300734	Shaft	RB00664---			1	
50	10332129	Spring Pin	P337030044	5X28AW	JIS	1	
51	10322120	Socket Set Screw	P330590018	M6X8(Dimple Type)	JIS	1	
52	10300735	Setting Bolt	RB00665---			1	
53	10376333	Limit Switch	P828012024	ZE-N22-2	OMRON	1	
54	10326131	Pan Head Screw	P334100026	M4X30	JIS	2	
55	10337110	Washer	P336000003	4(Small Round)	JIS	2	

Unit No. 51

Work Feeding Unit(2)

Index	Code	Parts Name	Drawing No.	Type	Maker	Q'ty	Note
56	10318527	Spring Washer	P336050003	4	JIS	2	
57	10300736	LS Bracket 1	RB00666--A			1	
58	10300135	Hex Socket Cap Screw	P330240064	M6X15(Trivalent Chromium Black)		2	
59	10321922	Washer	P336000005	6(Normal)	JIS	2	
60	10310351	Spring Washer	P336050005	6	JIS	2	
61	10300138	Nut	P332000033	M12(Type-1)	JIS	1	

Unit No. 52
Work Feeding Unit(3)

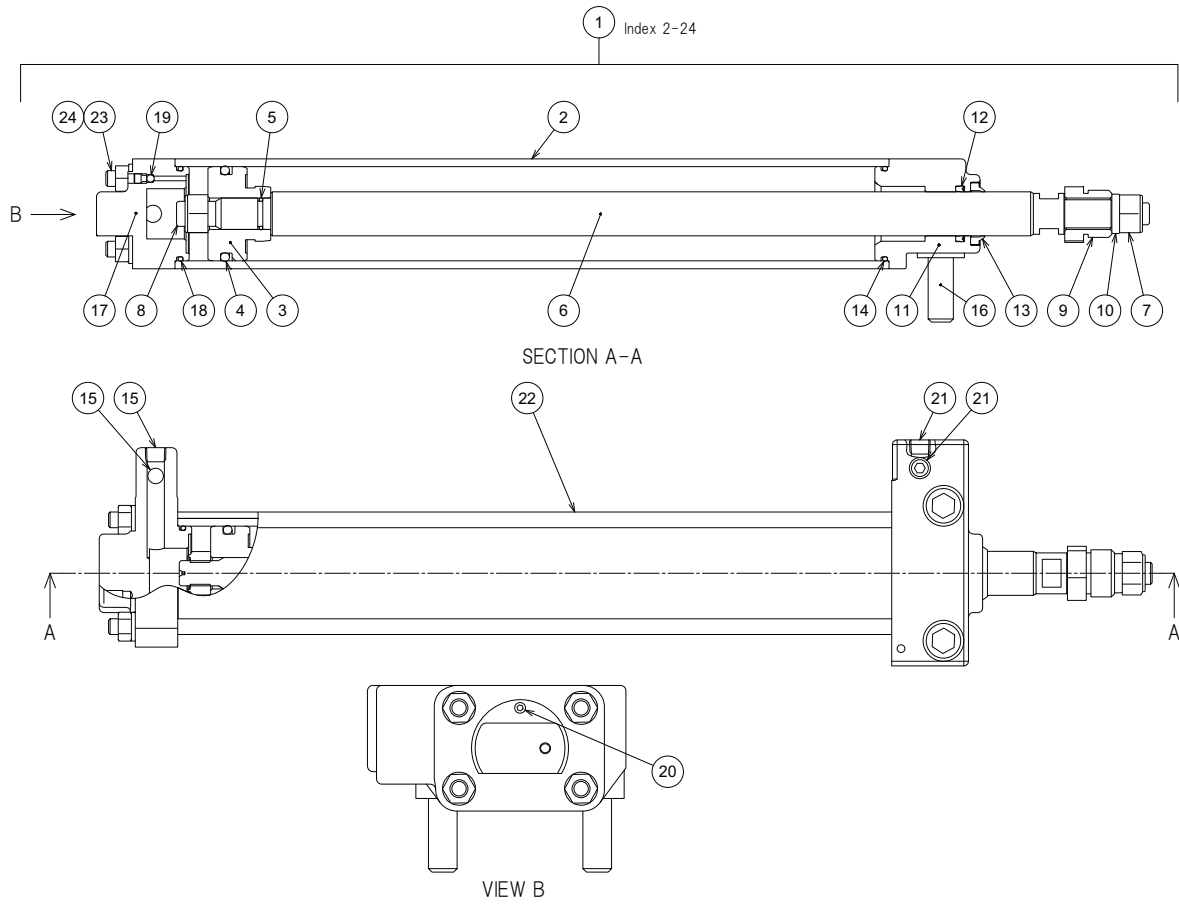


Unit No. 52

Work Feeding Unit(3)

Index	Code	Parts Name	Drawing No.	Type	Maker	Q'ty	Note
1	10300738	Shim A	RB00671---			8	

Unit No. 53
Feed Cylinder(1)



RB00690---

Unit No. 53

Feed Cylinder(1)

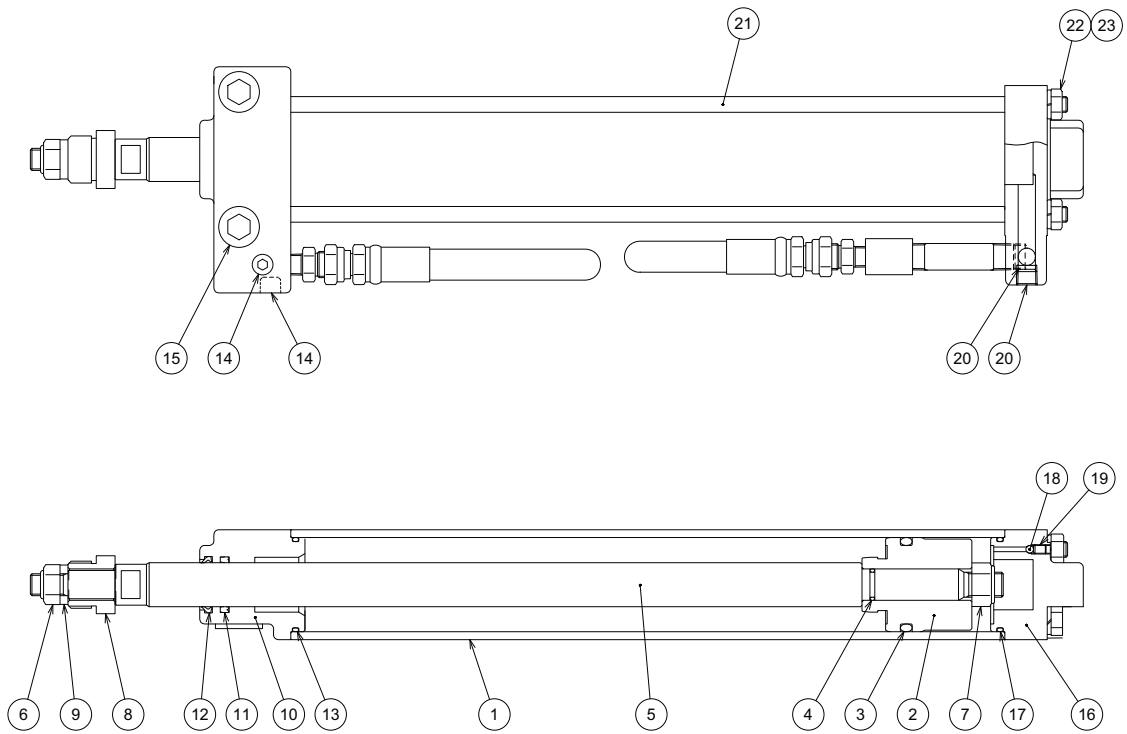
Index	Code	Parts Name	Drawing No.	Type	Maker	Q'ty	Note
1	10302089	Rear Vise Cylinder ASSY	SBS0122---	RB00691---, RB00692---, RB00696--- others		1	with Index 2-24
2	10300750	Cylinder	RB00691---			1	
3	10300751	Piston	RB00692---			1	
4	10207507	O Ring	P590000050	P50A		1	
5	10003901	O Ring	P590000016	P16		1	
6	10300752	Piston Rod	RB00693---			1	
7	10382418	Locking Nut	P332505023	M14(Type-1)	FUJI SEIMITSU	1	
8	10589242	Locking Nut	P332505044	M16X2(Type-1)-SS400	FUJI SEIMITSU	1	
9	10300753	Bushing Nut	RB00694---			1	
10	10300754	Washer	RB00695---			1	
11	10300755	Cylinder Cap F	RB00696---			1	
12	10333005	Piston Packing	P590403021	SKY-28	SAKAGAMI	1	
13	10317519	Wiper Ring	P590312003	DKI-28	NOK	1	
14	10001116	O Ring	P590010007	G55		1	
15	10300171	Plug for Piping	P580208021	PT-1/4		2	
16	10300756	Reamer Bolt	RB00697---			1	
17	10300757	Cylinder Cap R	RB00698---			2	
18	10001116	O Ring	P590010007	G55		1	
19	10332944	Steel Ball (for Bearing)	P406000002	3/16	JIS	1	

Unit No. 53

Feed Cylinder(1)

Index	Code	Parts Name	Drawing No.	Type	Maker	Q'ty	Note
20	10326708	Socket Set Screw	P330570062	M6X8(Dog-end)	JIS	1	
21	10300171	Plug for Piping	P580208021	PT-1/4		2	
22	10300758	Tie Rod	RB00699---			4	
23	10427991	Nut	P332000006	M10	JIS	4	
24	10001520	Spring Washer	P336050007	10	JIS	4	

Unit No. 54
Feed Cylinder(2) <EU Specification Machine>



RB01250--A

Unit No. 54

Feed Cylinder(2)

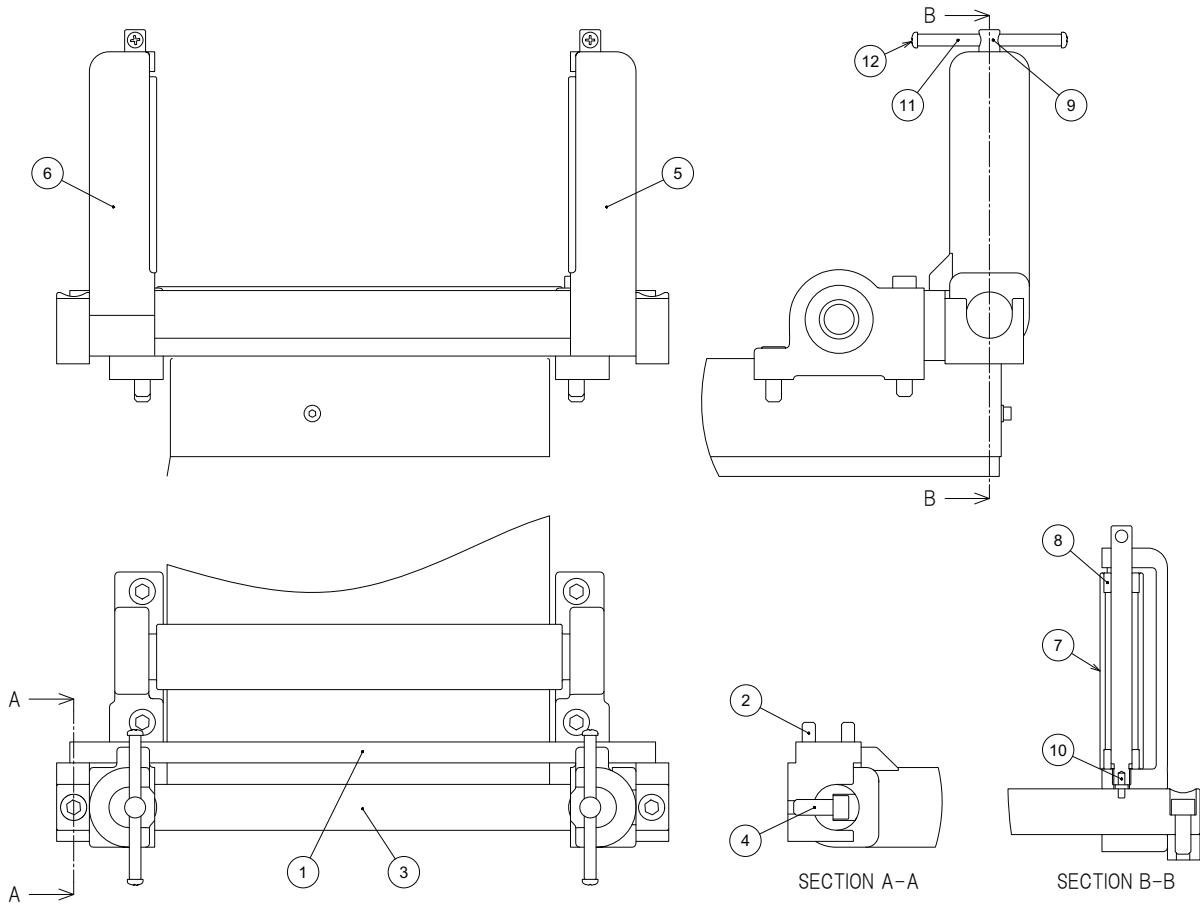
Index	Code	Parts Name	Drawing No.	Type	Maker	Q'ty	Note
1	10300750	Cylinder	RB00691---			1	
2	10386276	Piston	1425212			1	
3	10207507	O Ring	P590000050	P50A		1	
4	10003901	O Ring	P590000016	P16		1	
5	10386277	Piston Rod	1425213			1	
6	10382418	Locking Nut	P332505023	M14(Type-1)	FUJI SEIMITSU	1	
7	10589242	Locking Nut	P332505044	M16X2(Type-1)-SS400	FUJI SEIMITSU	1	
8	10300753	Bushing Nut	RB00694---			1	
9	10300754	Washer	RB00695---			1	
10	10300755	Cylinder Cap F	RB00696---			1	
11	10333005	Piston Packing	P590403021	SKY-28	SAKAGAMI	1	
12	10317519	Wiper Ring	P590312003	DKI-28	NOK	1	
13	10001116	O Ring	P590010007	G55		1	
14	10300171	Plug for Piping	P580208021	PT-1/4		2	
15	10300756	Reamer Bolt	RB00697---			2	
16	10300757	Cylinder Cap R	RB00698---			1	
17	10001116	O Ring	P590010007	G55		1	
18	10332944	Steel Ball (for Bearing)	P406000002	3/16	JIS	1	
19	10326708	Socket Set Screw	P330570062	M6X8(Dog-end)	JIS	1	

Unit No. 54

Feed Cylinder(2)

Index	Code	Parts Name	Drawing No.	Type	Maker	Q'ty	Note
20	10300171	Plug for Piping	P580208021	PT-1/4		2	
21	10301039	Tie Rod	RB01254---			4	
22	10427991	Nut	P332000006	M10	JIS	4	
23	10001520	Spring Washer	P336050007	10	JIS	4	

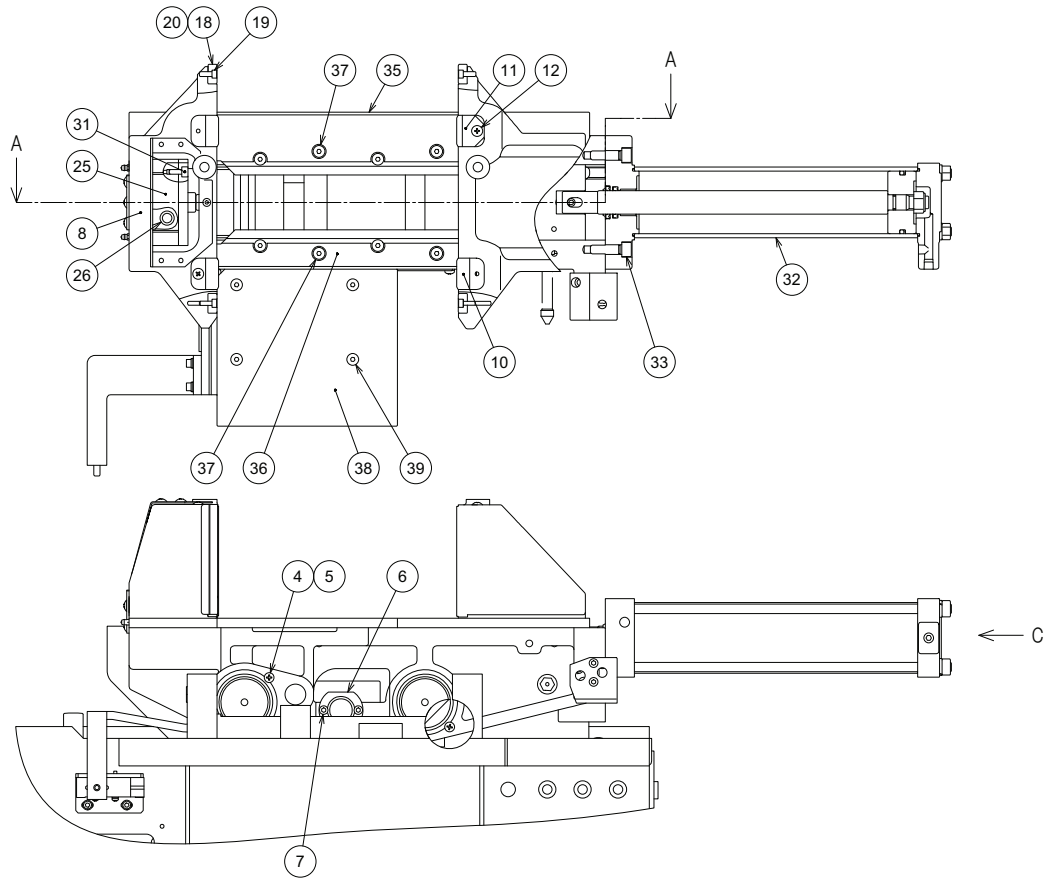
Unit No. 55
Vertical Roller



Unit No. 55
Vertical Roller

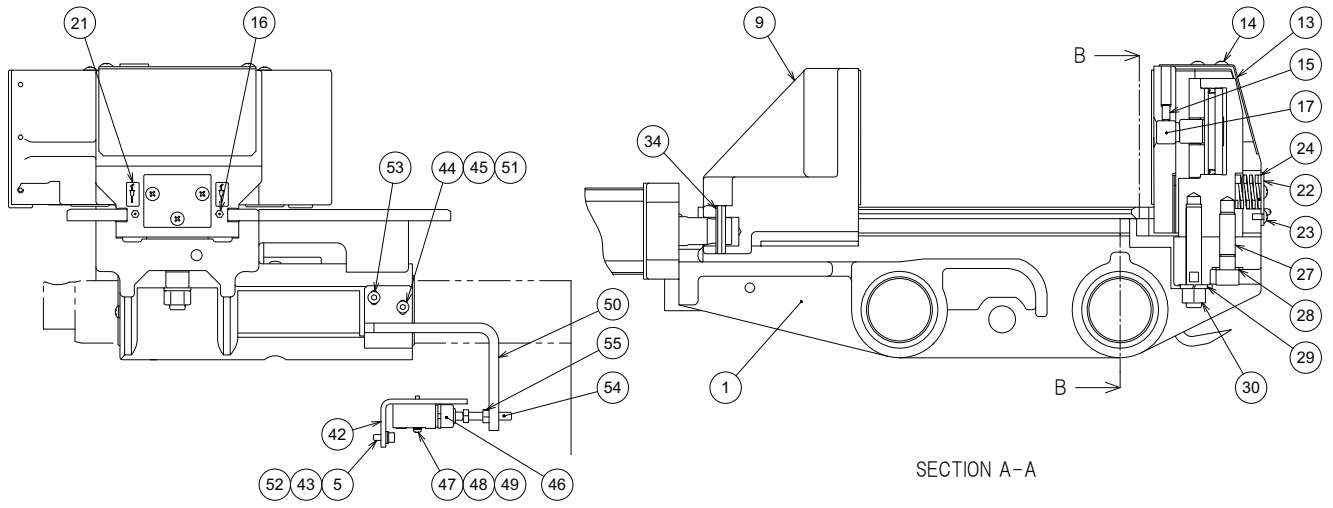
Index	Code	Parts Name	Drawing No.	Type	Maker	Q'ty	Note
1	10300741	Support Bracket	RB00676---			1	
2	10341713	Hex Socket Cap Screw	P330240006	M10X20		4	
3	10300742	Guide Bar	RB00677---			1	
4	10322203	Hex Socket Cap Screw	P330250005	M12X30		2	
5	10300743	Roller Bracket L	RB00678---			1	
6	10300744	Roller Bracket R	RB00679---			1	
7	10300745	Roller	RB00680---		STKM	2	
8	10300746	Shaft Support	RB00681---			4	
9	10300747	Vertical Roller Set Bar	RB00682---			2	
10	10300369	Lock Piece	RB00266---			2	
11	10300748	Handle	RB00684---			2	
12	10325312	Pan Head Screw	P334100054	M6X10	JIS	4	

Unit No. 56
Rear Vise(1)-1/3

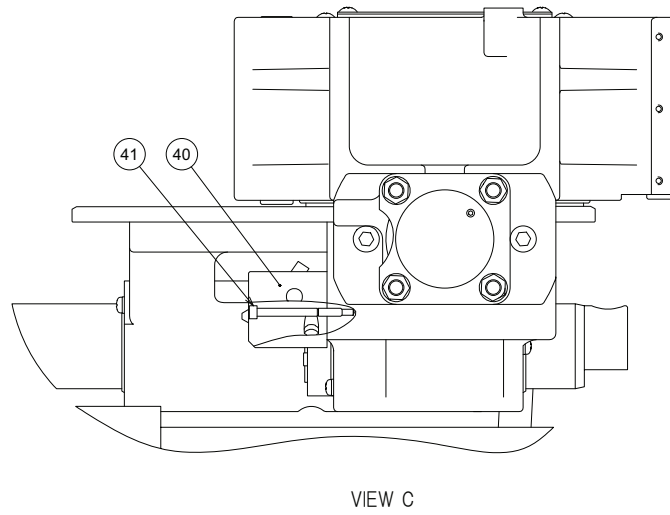
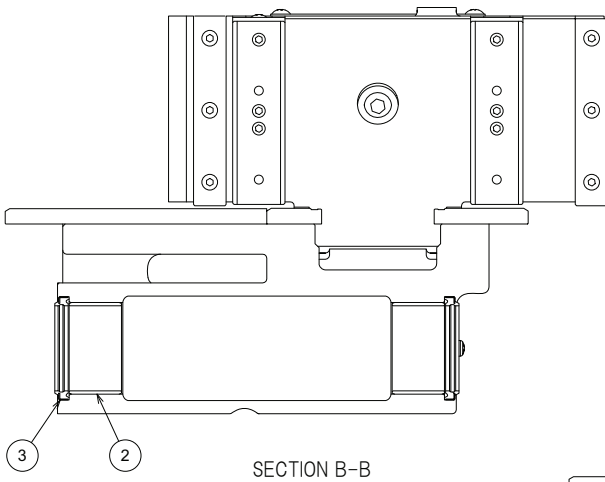


RB00710--C

Unit No. 56
Rear Vise(1)-2/3



Unit No. 56
Rear Vise(1)-3/3



Unit No. 56
Rear Vise(1)

Index	Code	Parts Name	Drawing No.	Type	Maker	Q'ty	Note
1	10300762	Rear Vise Bed	RB00711--A			1	
2	10300623	Plain Bearing	RB0054081-	SF-1 6540	KBT	4	
3	10386094	Wiper Ring	P590313021	SCB-65	SAKAGAMI	4	
4	10322226	Pan Head Screw	P334100055	M6X12	JIS	4	
5	10321922	Washer	P336000005	6(Normal)	JIS	4	
6	10300763	Pusher	RB00712---			1	
7	10325418	Hex Socket Cap Screw	P330220012	M6X30		2	
8	10300766	Rear Vise Jaw (Stationary)	RB00713---			1	
9	10300769	Rear Vise Jaw (Movable)	RB00714---			1	
10	10300770	Uplift Prevention Plate ASSY	RB00720--B			1	
11	10300777	Vise Plate Cover	RB00725---			4	
12	10332134	Truss Head Screw	P334130010	M6X8	JIS	4	
13	10300778	Cover	RB00726---			1	
14	10340019	Truss Head Screw	P334130012	M6X12	JIS	4	
15	10372221	Socket Set Screw	P330590025	M8X16(Dimple Type)	JIS	1	
16	10419913	Grease Nipple	P560600002	A-MT6X1	JIS	2	
17	10300779	Pushing Screw	RB00727---			1	
18	10300780	Vise Plate	RB00728---			4	
19	10323204	Hex Socket Cap Screw	P330220007	M6X16	JIS	12	

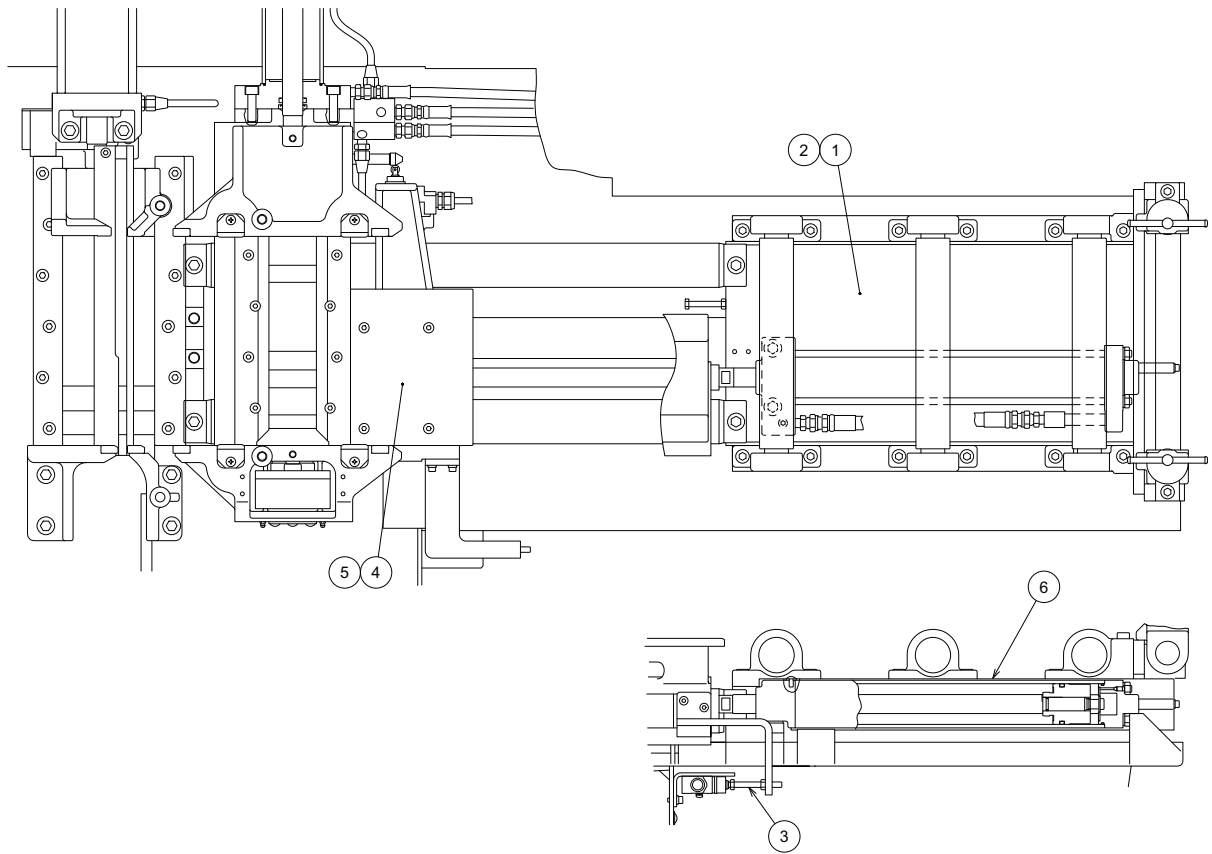
Unit No. 56
Rear Vise(1)

Index	Code	Parts Name	Drawing No.	Type	Maker	Q'ty	Note
20	10300776	Shim	RB0072405-			2	
21	10300404	Name Plate	RB00309---			2	
22	10300781	Spring Retainer	RB00729---			1	
23	10340019	Truss Head Screw	P334130012	M6X12	JIS	3	
24	10362327	Coil Spring	P320065002	SWL35-40	MISUMI	1	
25	10300782	Stationary Jaw ASSY of Rear Vise	RB00730---			1	
26	10206605	O Ring	P590000010	P11		1	
27	10332954	Hex Socket Cap Screw	P330260036	M16X60		1	
28	10322153	Conical Spring Washer	P336165005	CDW-16H	HHK	1	
29	10322218	Spring Washer	P336050010	16	JIS	1	
30	10421756	Nut	P332000009	M16	JIS	1	
31	10343103	Hex Socket Cap Screw	P330230005	M8X16	JIS	4	
32	10300787	Vise Cylinder ASSY	RB00740--A			1	
33	10328331	Hex Socket Cap Screw	P330250007	M12X40		2	
34	10326002	Spring Pin	P337030095	10X50AW	JIS	1	
35	10300790	Slide Plate F	RB00743---			1	
36	10300791	Slide Plate R	RB00744---			1	
37	10362314	Button Head Screw	P334500030	M8X16	JIS	16	
38	10300792	Remaining Material Support	RB00745---			1	

Unit No. 56
Rear Vise(1)

Index	Code	Parts Name	Drawing No.	Type	Maker	Q'ty	Note
39	10362314	Button Head Screw	P334500030	M8X16	JIS	4	
40	10300793	Manifold Block	RB00746---			1	
41	10372021	Hex Socket Cap Screw	P330220019	M6X65	MOURI	2	
42	10300794	LS Bracket	RB00747---			1	
43	10323204	Hex Socket Cap Screw	P330220007	M6X16	JIS	2	
44	10310351	Spring Washer	P336050005	6	JIS	2	
45	10321922	Washer	P336000005	6(Normal)	JIS	2	
46	10204724	Limit Switch	P828012022	ZE-N-2	OMRON	1	
47	10328314	Pan Head Screw	P334100027	M4X35	JIS	2	
48	10318527	Spring Washer	P336050003	4	JIS	2	
49	10337110	Washer	P336000003	4(Small Round)	JIS	2	
50	10300795	LS Dog	RB00748---			1	
51	10324622	Hex Socket Cap Screw	P330220011	M6X25		2	
52	10310351	Spring Washer	P336050005	6	JIS	2	
53	10321922	Washer	P336000005	6(Normal)	JIS	2	
54	10382724	Bolt	P330030014	M8X45(All-thread)	MOURI	1	
55	10001517	Nut	P332000064	M8(Type-1)	JIS	1	

Unit No. 57
Rear Vise(2) <Rear Vise for EU Spec>

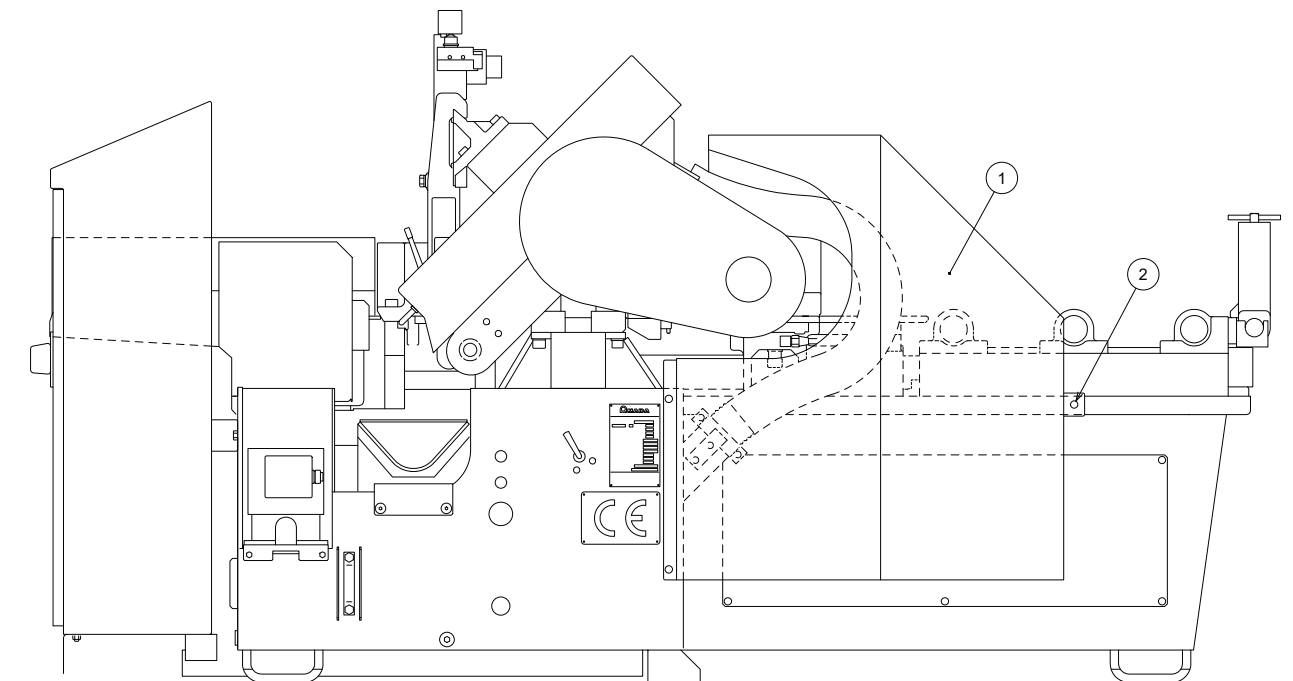


Unit No. 57

Rear Vise(2)

Index	Code	Parts Name	Drawing No.	Type	Maker	Q'ty	Note
1	10301034	Cylinder Cover	RB01242--A			1	
2	10329645	Hex Socket Cap Screw	P330220018	M6X60		1	
3		Add Parts(Rear Vise)	RB01245---			1	Index 4,5
4	10301036	Remaining Material Support	RB01246--A			1	
5	10385806	Bolt	P330030019	M8X60(All-thread)	MOURI	1	
6	10301038	Feed Cylinder ASSY	RB01250--A	370st		1	

Unit No. 58
Rear Vise(3) <Rear Vise Guard for EU Spec>



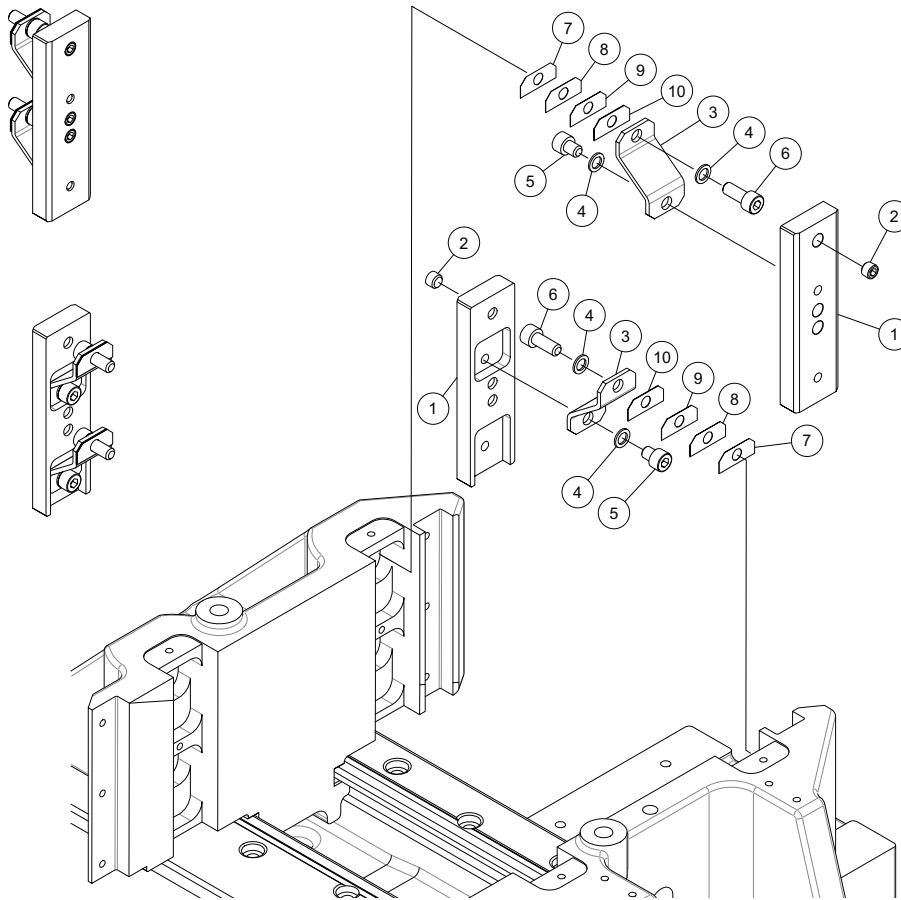
RB01267--A

Unit No. 58

Rear Vise(3)

Index	Code	Parts Name	Drawing No.	Type	Maker	Q'ty	Note
1	10301048	Vise Guard Cover	RB01269--C			1	
2	10385708	Truss Head Screw	P334130011	M6X10	JIS	4	

Unit No. 59
Rear Vise(4) <Uplift Prevention Plate ASSY>

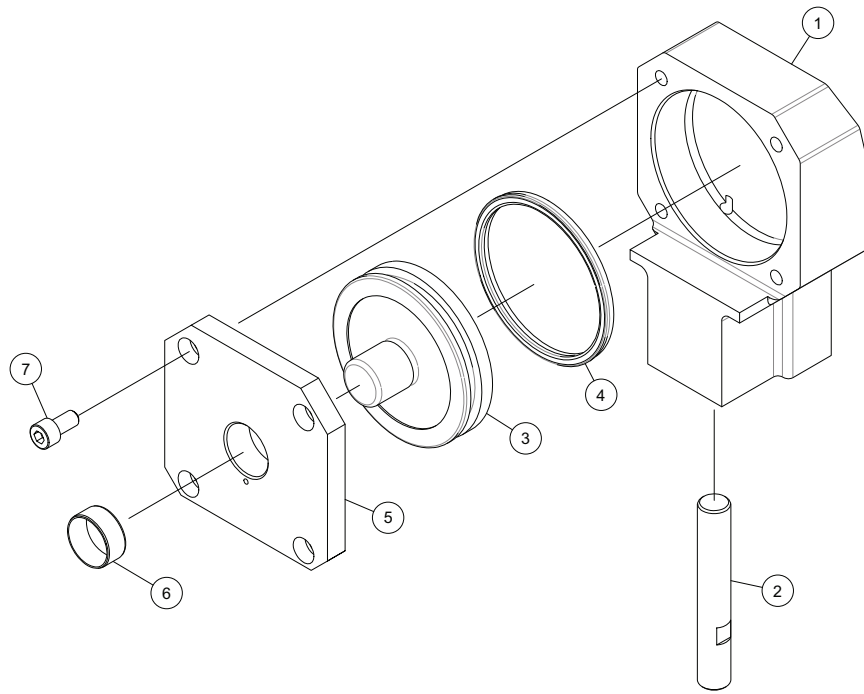


RB00720--B

Unit No. 59
Rear Vise(4)

Index	Code	Parts Name	Drawing No.	Type	Maker	Q'ty	Note
1	10300771	Plate	RB00721---			4	
2	10380409	Plug for Piping	P580208022	PT-1/8		12	
3	10300082	Leaf Spring	1108566--C			8	
4	10323205	Hex Socket Cap Screw	P330230001	M8X10		8	
5	10322202	Hex Socket Cap Screw	P330230006	M8X20		8	
6	10589279	Conical Spring Washer	P336165002	CDW-8H	HHK	16	
7	10300772	Shim	RB0072401A			8	
8	10300773	Shim	RB0072402A			8	
9	10300774	Shim	RB0072403A			8	
10	10300775	Shim 4	RB0072404A			8	

Unit No. 60
Rear Vise(5) <Stationary Jaw ASSY of Rear Vise>

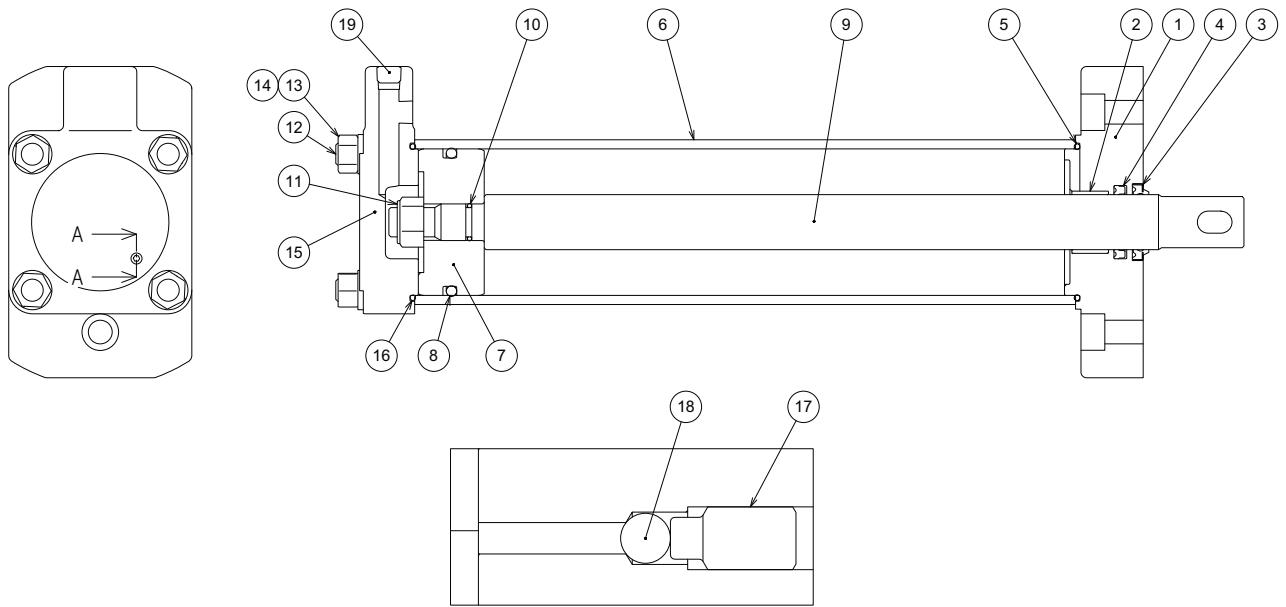


RB00730---

Unit No. 60
Rear Vise(5)

Index	Code	Parts Name	Drawing No.	Type	Maker	Q'ty	Note
1	10300783	Cylinder Body	RB00731---			1	
2	10300784	Reamer Bolt	RB00732---			1	
3	10300785	Piston	RB00733---			1	
4	10362304	Piston Packing	P590403027	SKY-80	SAKAGAMI	1	
5	10300786	Cylinder Cap	RB00734---			1	
6	10581365	Plain Bearing	P407003207	DUB2512	DAIDO METAL	1	
7	10343103	Hex Socket Cap Screw	P330230005	M8X16	JIS	4	

Unit No. 61
Rear Vise(6) <Vise Cylinder ASSY>



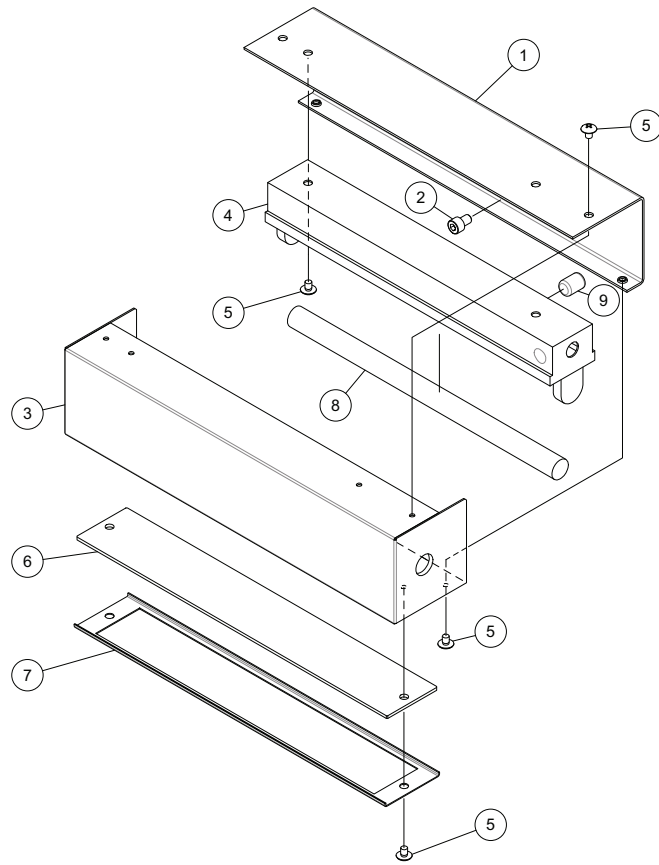
SECTION A-A

RB00740--A

Unit No. 61
Rear Vise(6)

Index	Code	Parts Name	Drawing No.	Type	Maker	Q'ty	Note
1	10300788	Cylinder Cap F	RB00741---			1	
2	10300163	Plain Bearing	P407003176	DUB3020	DAIDO METAL	1	
3	10338202	Wiper Ring	P590313004	SCB-30	SAKAGAMI	1	
4	10376483	Piston Packing	P590403023	SKY-30	SAKAGAMI	1	
5	10001118	O Ring	P590010012	G80		1	
6	10300360	Cylinder	RB00254---			1	
7	10300359	Piston	RB00253---			1	
8	10001114	O Ring	P590000061	P70		1	
9	10300789	Piston Rod	RB00742---			1	
10	10003901	O Ring	P590000016	P16		1	
11	10589242	Locking Nut	P332505044	M16X2(Type-1)-SS400	FUJI SEIMITSU	1	
12	10300362	Tie Rod	RB00256---			4	
13	10589227	Nut	P332000007	M12	JIS	4	
14	10000829	Spring Washer	P336050008	12	JIS	4	
15	10300361	Cylinder Cap R	RB00255---			1	
16	10001118	O Ring	P590010012	G80		1	
17	10356511	Socket Set Screw	P330570017	M6X12(Dog-end)	JIS	1	
18	10332944	Steel Ball (for Bearing)	P406000002	3/16	JIS	1	
19	10300171	Plug for Piping	P580208021	PT-1/4		1	

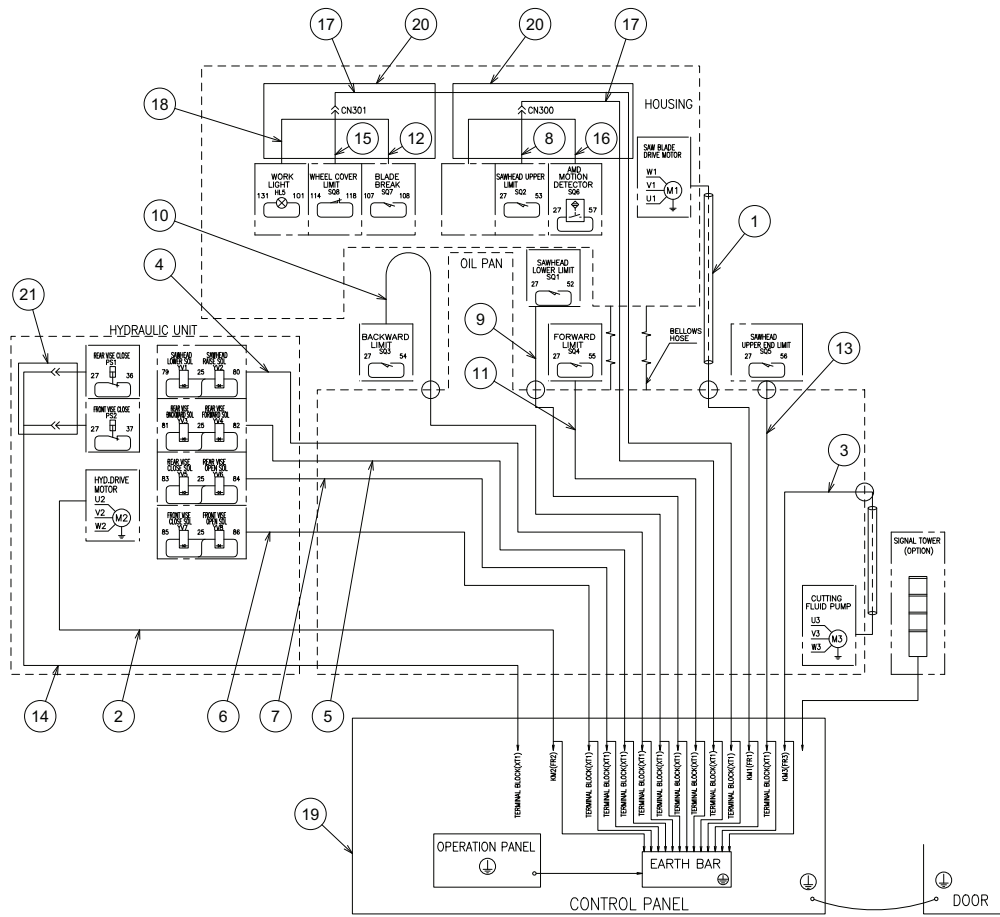
Unit No. 62
Work Light



Unit No. 62
Work Light

Index	Code	Parts Name	Drawing No.	Type	Maker	Q'ty	Note
1	10300797	Upper Cover	RB00751--A			1	
2	10323206	Hex Socket Cap Screw	P330230002	M8X12	JIS	2	
3	10300798	Under Cover	RB00752---			1	
4	10300107	Fluorescent Lamp Unit	7720422---	M-1114T11-A/B		1	
5	10332134	Truss Head Screw	P334130010	M6X8	JIS	8	
6	10300799	Acrylic Cover	RB00754---			1	
7	10300800	Cover Holder	RB00755---			1	
8	10337544	Fluorescence Lamp	P850308001	FL10W	NEC	1	
9	10583709	Accessory for Fluorescent Lamp	P850318001	FG-7E	NEC	1	

Unit No. 63
 Electric DOM(1) <Cable>



RB00771--C

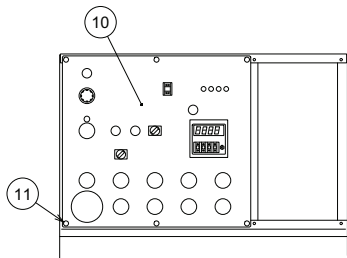
Unit No. 63
Electric DOM(1)

Index	Code	Parts Name	Drawing No.	Type	Maker	Q'ty	Note
1	10301074	Saw Blade Motor Cable	RB0154201A			1	
2	10301072	Hydraulic Motor Cable	RB0152302A	1		1	
3	10301073	Cutting Fluid Pump Motor Cable	RB0152303A			1	
4	10301092	Rase/Lower SOL Cable	RB0155106B			1	
5	10301093	Forward/Backward SOL Cable	RB0155107B			1	
6	10301094	Front Vise SOL Cable	RB0155108B			1	
7	10301095	Rear Vise SOL Cable	RB0155109B			1	
8	10301096	Sawhead Upper Limit LS Cable	RB0155111C			1	
9	10301097	Lower Limit LS Cable	RB0155112C			1	
10	10301098	Backward Limit LS Cable	RB0155113C			1	
11	10301099	Forward Limit LS Cable	RB0155114C			1	
12	10301100	Blade Break LS Cable	RB0155115C			1	
13	10301101	Sawhead Upper End Limit LS Cable	RB0155116C			1	
14	10301102	Front/Rear Vise Close LS Cable	RB0155117C			1	
15	10300816	Cover Open Limit Switch Cable	RB0077118C			1	
16	10301104	AMD Motion Detector Cable	RB0155120B			1	
17	10300817	Housing Junction Cable	RB0077121C			1	
18	10301106	Working Light Cable	RB0155123C			1	
19		Control Panel	RB0077126A			1	

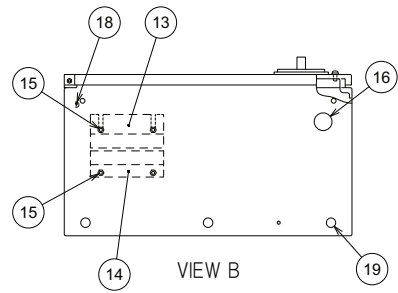
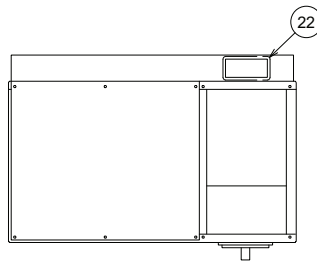
Unit No. 63
Electric DOM(1)

Index	Code	Parts Name	Drawing No.	Type	Maker	Q'ty	Note
20	10301118	Vinyl Tube	RB0160005-	D50XL400(T=0.5)		2	
21	10301124	Vinyl Tube	RB0160011-	D50XL200(T=0.5)		2	

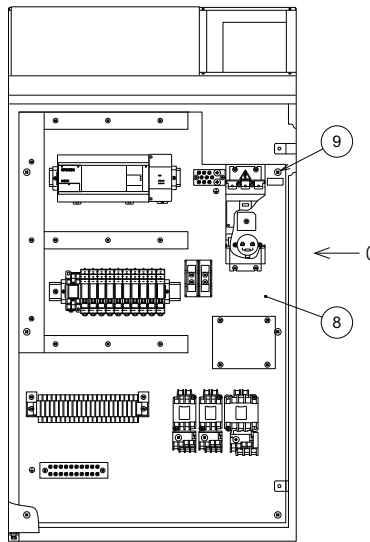
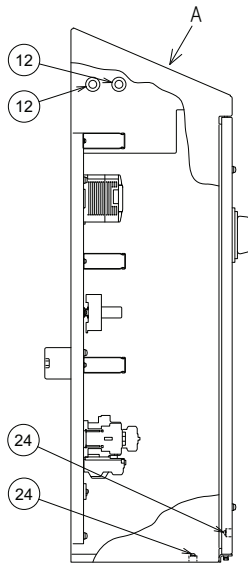
Unit No. 64
 Electric DOM(2)-1/2 <Electrical Enclosure>



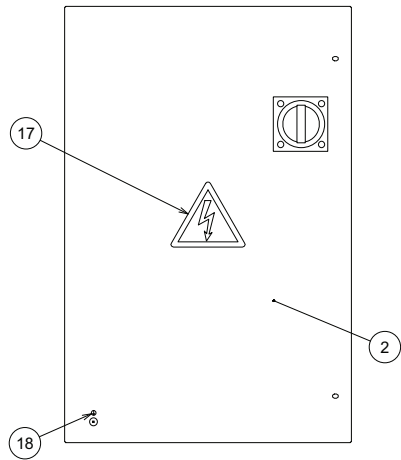
VIEW A



VIEW B

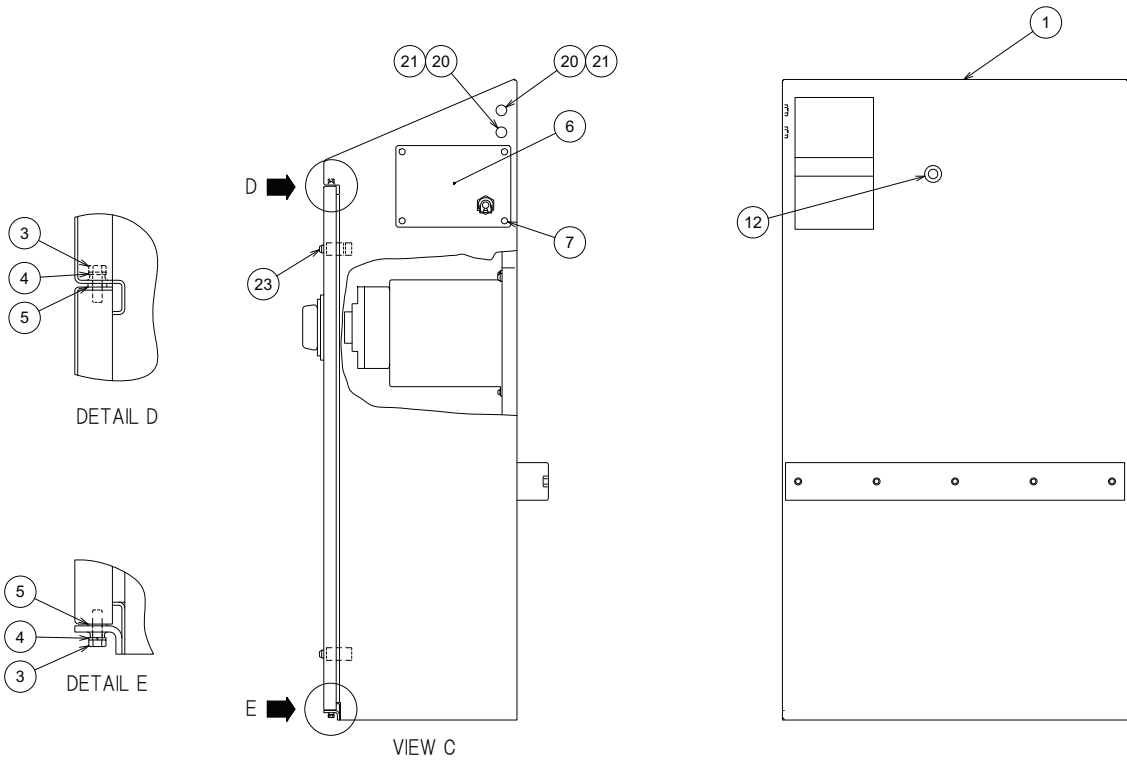


B



RB00772--C

Unit No. 64
Electric DOM(2)-2/2 <Electrical Enclosure>



RB00772--C

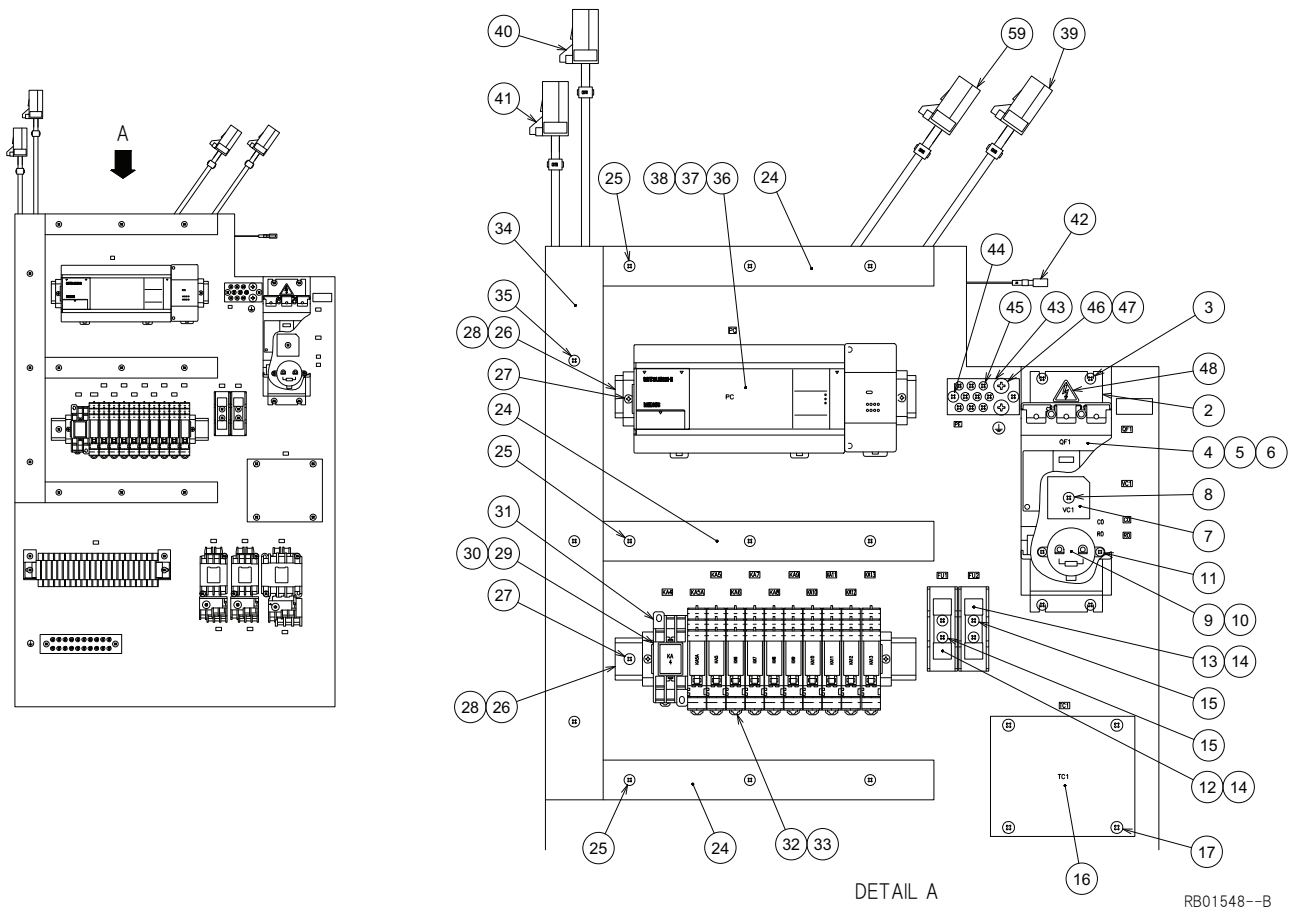
Unit No. 64
Electric DOM(2)

Index	Code	Parts Name	Drawing No.	Type	Maker	Q'ty	Note
1	10300821	Control Box	RB00774--C			1	
2	10300822	Control Box Cover	RB00775--B			1	
3	10325830	Bolt	P330010005	M5X16	JIS	2	
4	10322215	Spring Washer	P336050004	5	JIS	2	
5	10323127	Washer	P336000059	5(Polished Round)	JIS	2	
6	10300824	Cover	RB00776--B			1	
7	10322224	Pan Head Screw	P334100039	M5X10	JIS	4	
8	10301075	Panel Arrangement	RB01548--B			1	
9	10325313	Pan Head Screw	P334100058	M6X16	JIS	6	
10	10300825	Control Panel	RB00778--C			1	
11	10372307	Truss Head Screw	P334130009	M5X12	JIS	6	
12	10301115	Bush for Cable	RB0160001-	D22		3	
13	10300830	Cable Retainer A	RB00779--B			1	
14	10300831	Cable Retainer B	RB00780--B			1	
15	10380944	Sems Pan Head Screw	P334200063	M6X16(Spring/Polished Round)	JIS	4	
16	10301119	CAPCON	RB0160006-	D34		1	
17	10301069	Charging Mark D	RB01517---	125MM		1	
18	10301068	Sticker (Ground)	RB01516---			1	
19	10301120	Grommet	RB0160007-	D18		1	

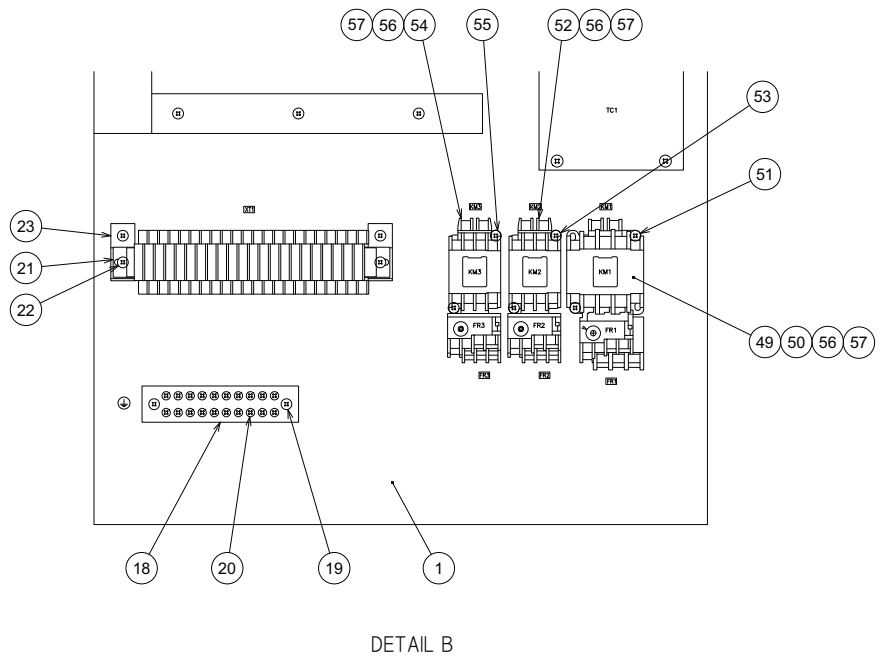
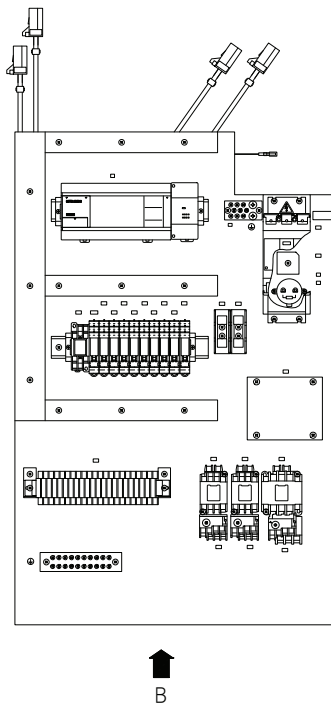
Unit No. 64
Electric DOM(2)

Index	Code	Parts Name	Drawing No.	Type	Maker	Q'ty	Note
20	10321923	Washer	P336000006	8(Normal)	JIS	2	
21	10342325	Hex Socket Cap Screw	P330230004	M8X15		2	
22	10301121	Grommet	RB0160008-	W4XL250		1	
23	10322133	Truss Head Screw	P334130014	M6X20	JIS	2	
24	10589252	Sems Pan Head Screw	P334200013	M4X10(Spring/Polished Round)	JIS	2	

Unit No. 65
 Electric DOM(3)-1/2 <Panel Arrangement>



Unit No. 65
 Electric DOM(3)-2/2 <Panel Arrangement>



RB01548--B

Unit No. 65
Electric DOM(3)

Index	Code	Parts Name	Drawing No.	Type	Maker	Q'ty	Note
1	10300832	Control Panel	RB00781--C			1	
2	10300833	Breaker Bracket	RB00782--C			1	
3	10589252	Sems Pan Head Screw	P334200013	M4X10(Spring/Polished Round)	JIS	4	
4	10300187	Low Voltage Breaker	P812008026	NF32-SV-3P-30A	MITSUBISHI	1	QF1
5	10300194	Accessory (Low Voltage Breaker)	P812098064	F-05SV	MITSUBISHI	1	
6	10300195	Accessory (Low Voltage Breaker)	P812098065	TCL-05SV3	MITSUBISHI	1	
7	10300207	Rectifier	P840068014	KBPC35-10	SUMGLE	1	VC1
8	10589252	Sems Pan Head Screw	P334200013	M4X10(Spring/Polished Round)	JIS	1	
9	10300211	Aluminum Capacitor	P840108041	50V10000Micro Farad	HWAKAI	1	C0
10	10300212	Resistor	P841128056	RS2W(5.1 kOhm)	YCX	1	R0
11	10589250	Sems Pan Head Screw	P334200010	M3X10(Spring/Polished Round)	JIS	2	
12	10364540	Fuse	P842064018	FCF2-3	FUJI Electric	1	FU1
13	10380702	Fuse	P842064020	FCF2-10	FUJI Electric	1	FU2
14	10382471	Fuse Holder	P842202004	F-7140	SATO PARTS	2	
15	10380683	Sems Pan Head Screw	P334200034	M4X16(Spring/Polished Round)	JIS	4	
16	10300180	Transformer	P772008054	JBK5-400	JUCHE	1	TC1
17	10380975	Sems Pan Head Screw	P334200047	M5X12(Spring/Polished Round)	JIS	4	
18	10300834	Ground Bar	RB00783--A			1	
19	10380683	Sems Pan Head Screw	P334200034	M4X16(Spring/Polished Round)	JIS	2	

Unit No. 65
Electric DOM(3)

Index	Code	Parts Name	Drawing No.	Type	Maker	Q'ty	Note
20	10380682	Sems Pan Head Screw	P334200032	M4X6(Spring/Polished Round)	JIS	20	
21	10301128	Terminal Block ASSY	RB0251501B			1	XT1
22	10380683	Sems Pan Head Screw	P334200034	M4X16(Spring/Polished Round)	JIS	4	
23	10301117	Tilting Attachment	RB0160003-	(Conform to) BP23-2S		2	
24	10300224	Duct for Wiring	P869509272	GW-33100(L=275)	GIANTLOK	3	
25	10589252	Sems Pan Head Screw	P334200013	M4X10(Spring/Polished Round)	JIS	9	
26	10300217	Terminal Base	P864038171	FH-1007(L=250)	FEHUA	2	
27	10589252	Sems Pan Head Screw	P334200013	M4X10(Spring/Polished Round)	JIS	6	
28	10337281	Terminal Parts	P864052008	BNL6	IDEC	4	
29	10300181	Control Relay	P800002091	MY2N-CR-AC100V	OMRON	1	KA4
30	10300215	Accessory for Connector	P862188020	PYF08A	OMRON	1	
31	10349515	Accessory for Connector	P862188011	PYC-A1	OMRON	1	
32	10589483	Control Relay	P800002075	G2R-1-SND-DC24V	OMRON	10	KA5A,KA5-13
33	10589484	Accessory for Control Relay	P800082015	P2RF-05-E	OMRON	10	
34	10300225	Duct for Wiring	P869509274	GW-48100(L=460)	OLEANDER	1	
35	10589252	Sems Pan Head Screw	P334200013	M4X10(Spring/Polished Round)	JIS	3	
36	10428836	Programmable Controller	P767406003	FX1N-60MR-ES/UL	MITSUBISHI	1	PC
37	10582249	Accessory (Program Controller)	P767486019	FX1N-EEPROM-8L	MITSUBISHI	1	
38	10300836	PLC Ladder	RB00785--A	HA252V12.2		1	

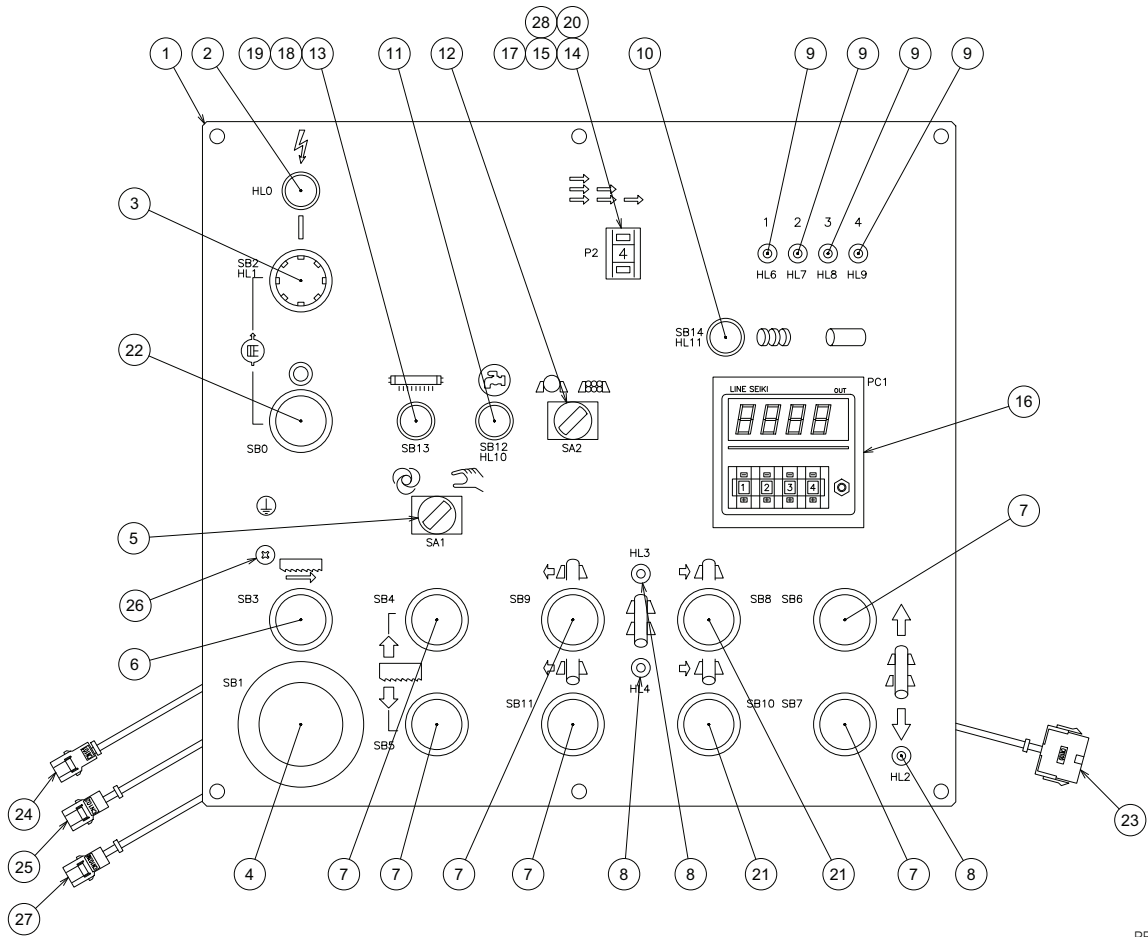
Unit No. 65
Electric DOM(3)

Index	Code	Parts Name	Drawing No.	Type	Maker	Q'ty	Note
39	10301076	Cable CN100F	RB0154801A			1	CN100
40	10301077	Cable CN101F	RB0154802A			1	CN101
41	10301078	Cable CN102F	RB0154803A			1	CN102
42	10300214	Plug Type Terminal	P862148060	PC-2005F	NICHIFU	1	
43	10300835	Ground Bar	RB00784--A			1	PE
44	10380683	Sems Pan Head Screw	P334200034	M4X16(Spring/Polished Round)	JIS	2	
45	10380682	Sems Pan Head Screw	P334200032	M4X6(Spring/Polished Round)	JIS	9	
46	10300140	Sems Pan Head Screw	P334200084	M6X8(Spring/Polished Round)	JIS	2	
47	10300143	Washer	P336000074	6(Polished Round)T=1.0	JIS	2	
48	10301123	Charging Mark	RB0160010-	20MM		1	
49	10583429	Magnet Switch	P810044151	SW-5-1(7A)AC100V	FUJI Electric	1	KM1,FR1
50	10385440	Accessory (Magnet Switch)	P810184018	SZ-A31	FUJI Electric	1	
51	10380683	Sems Pan Head Screw	P334200034	M4X16(Spring/Polished Round)	JIS	2	
52	10300185	Magnet Switch	P810044011	SW-05(2.8A)AC100V	FUJI Electric	1	KM2,FR2
53	10380683	Sems Pan Head Screw	P334200034	M4X16(Spring/Polished Round)	JIS	2	
54	10581178	Magnet Switch	P810044136	SW-0(0.64A)AC100V	FUJI Electric	1	KM3,FR3
55	10380683	Sems Pan Head Screw	P334200034	M4X16(Spring/Polished Round)	JIS	2	
56	10301116	Spark Killer	RB0160002-	(Conform to) SKVB104120		3	
57	10300209	Varistor	P840078054	TUR20D471K	JOCOL	9	

Unit No. 65
Electric DOM(3)

Index	Code	Parts Name	Drawing No.	Type	Maker	Q'ty	Note
58	10301079	Name Plate	RB0154804A			1	List Only
59	10301080	Cable CN103F	RB0154805-			1	CN103

Unit No. 66
 Electric DOM(4) <Control Panel>



RB00778--C

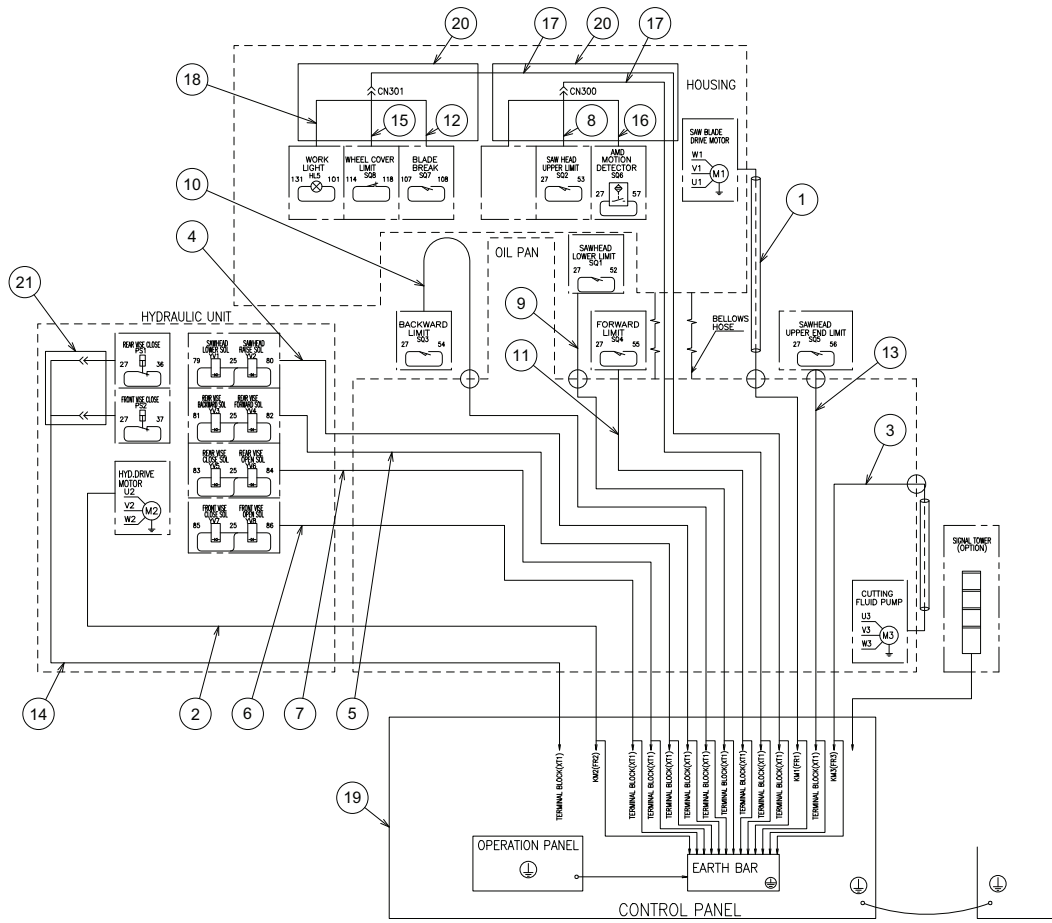
Unit No. 66
Electric DOM(4)

Index	Code	Parts Name	Drawing No.	Type	Maker	Q'ty	Note
1	10300837	Name Plate	RB00786--C			1	
2	10300213	Indicator Apparatus	P843024023	AH165-ZWH3	FUJI Electric	1	HL0
3	10579339	Illuminated Pushbutton	P822084031	AR22F0L-10H3W	FUJI Electric	1	SB2,HL1
4	10300199	Push Button Switch	P821084115	AR22V0R-01R	FUJI Electric	1	SB1
5	10337159	Key Select Switch	P820004027	AH165-P2B11	FUJI Electric	1	SA1
6	10579341	Push Button Switch	P821084154	AR22G2R-20W	FUJI Electric	1	SB3
7	10589510	Push Button Switch	P821084080	AR22F0R-10W	FUJI Electric	6	SB4-SB7,SB9,SB11
8	10583452	Indicator Apparatus	P843188016	DB24-89WUS	MARUYASU DENGYO	3	HL2,HL3,HL4
9	10583452	Indicator Apparatus	P843188016	DB24-89WUS	MARUYASU DENGYO	4	HL6-HL9
10	10300204	Illuminated Pushbutton	P822064076	AH165-L5W11E3	FUJI Electric	1	SB14,HL11
11	10300205	Illuminated Pushbutton	P822064077	AH165-L5W11H3	FUJI Electric	1	SB12,HL10
12	10337159	Key Select Switch	P820004027	AH165-P2B11	FUJI Electric	1	SA2
13	10337521	Push Button Switch	P821064009	AH165-E5W22	FUJI Electric	1	SB13
14	10380727	Key Select Switch	P820022002	A7BS-206-S-1	OMRON	1	P2
15	10380728	Accessory for Rotary Switch	P820082002	A7B-C(Connector)	OMRON	1	
16	10300103	Electronic Counter	7720235---	MD-144M-509	LINE SEIKI	1	PC1
17	10380870	Accessory for Rotary Switch	P820082001	A7B-M-1(Setting Plate)	OMRON	1	
18	10300208	Varistor	P840078053	TUR20D271K	JOCOL	1	
19	10301116	Spark Killer	RB0160002-	(Conform to) SKVB104120		1	

Unit No. 66
Electric DOM(4)

Index	Code	Parts Name	Drawing No.	Type	Maker	Q'ty	Note
20	10300838	Counter Cover	RB00787---			1	
21	10300200	Push Button Switch	P821084195	AR22G2R-10W	FUJI Electric	2	SB8,SB10
22	10300198	Push Button Switch	P821084081	AR22F0R-01B	FUJI Electric	1	SB0
23	10300826	Cable CN100M	RB0077801A			1	CN100
24	10300827	Cable CN101M	RB0077802A			1	
25	10300828	Cable CN102M	RB0077803A			1	
26	10589252	Sems Pan Head Screw	P334200013	M4X10(Spring/Polished Round)	JIS	1	
27	10300829	Cable CN103M	RB0077804-			1	
28	10300150	Cable Band	P381058169	AB100	Tyton	2	

Unit No. 67
 Electric US(1) <Cable>



RB1512--C

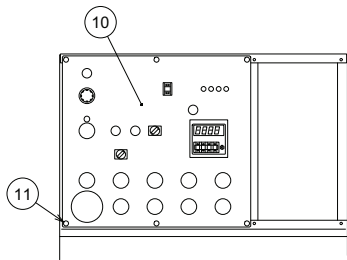
Unit No. 67
Electric US(1)

Index	Code	Parts Name	Drawing No.	Type	Maker	Q'ty	Note
1	10301071	Saw Blade Motor Cable	RB0152301A			1	
2	10301072	Hydraulic Motor Cable	RB0152302A	1		1	
3	10301073	Cutting Fluid Pump Motor Cable	RB0152303A			1	
4	10301092	Rase/Lower SOL Cable	RB0155106B			1	
5	10301093	Forward/Backward SOL Cable	RB0155107B			1	
6	10301094	Front Vise SOL Cable	RB0155108B			1	
7	10301095	Rear Vise SOL Cable	RB0155109B			1	
8	10301096	Sawhead Upper Limit LS Cable	RB0155111C			1	
9	10301097	Lower Limit LS Cable	RB0155112C			1	
10	10301098	Backward Limit LS Cable	RB0155113C			1	
11	10301099	Forward Limit LS Cable	RB0155114C			1	
12	10301100	Blade Break LS Cable	RB0155115C			1	
13	10301101	Sawhead Upper End Limit LS Cable	RB0155116C			1	
14	10301102	Front/Rear Vise Close LS Cable	RB0155117C			1	
15	10300816	Cover Open Limit Switch Cable	RB0077118C			1	
16	10301104	AMD Motion Detector Cable	RB0155120B			1	
17	10300817	Housing Junction Cable	RB0077121C			1	
18	10301106	Working Light Cable	RB0155123C			1	
19		Control Panel	RB0151226A			1	

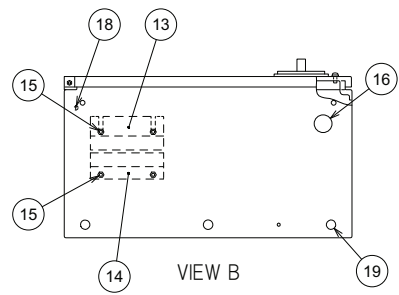
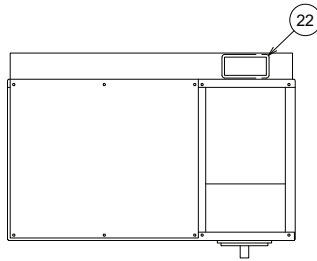
Unit No. 67
Electric US(1)

Index	Code	Parts Name	Drawing No.	Type	Maker	Q'ty	Note
20	10301118	Vinyl Tube	RB0160005-	D50XL400(T=0.5)		2	
21	10301124	Vinyl Tube	RB0160011-	D50XL200(T=0.5)		2	

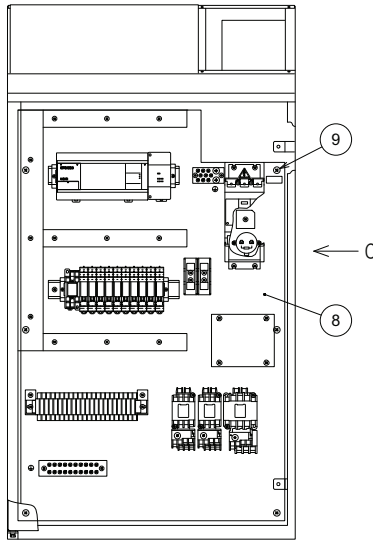
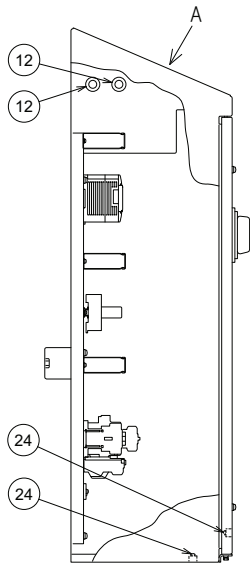
Unit No. 68
 Electric US(2)-1/2 <Electrical Enclosure>



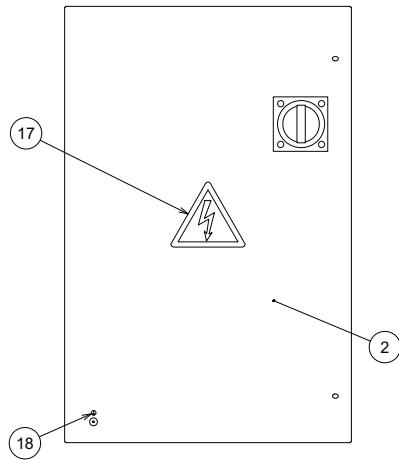
VIEW A



VIEW B

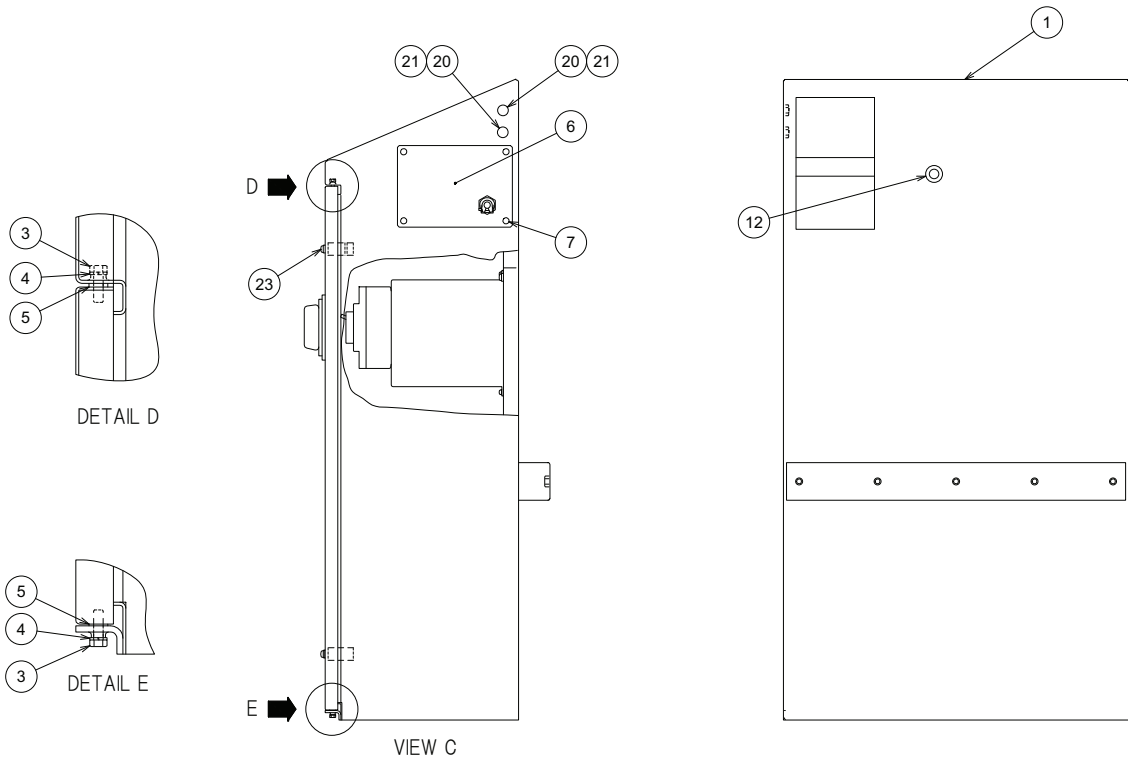


B



RB01511--D

Unit No. 68
Electric US(2)-2/2 <Electrical Enclosure>



RB01511--D

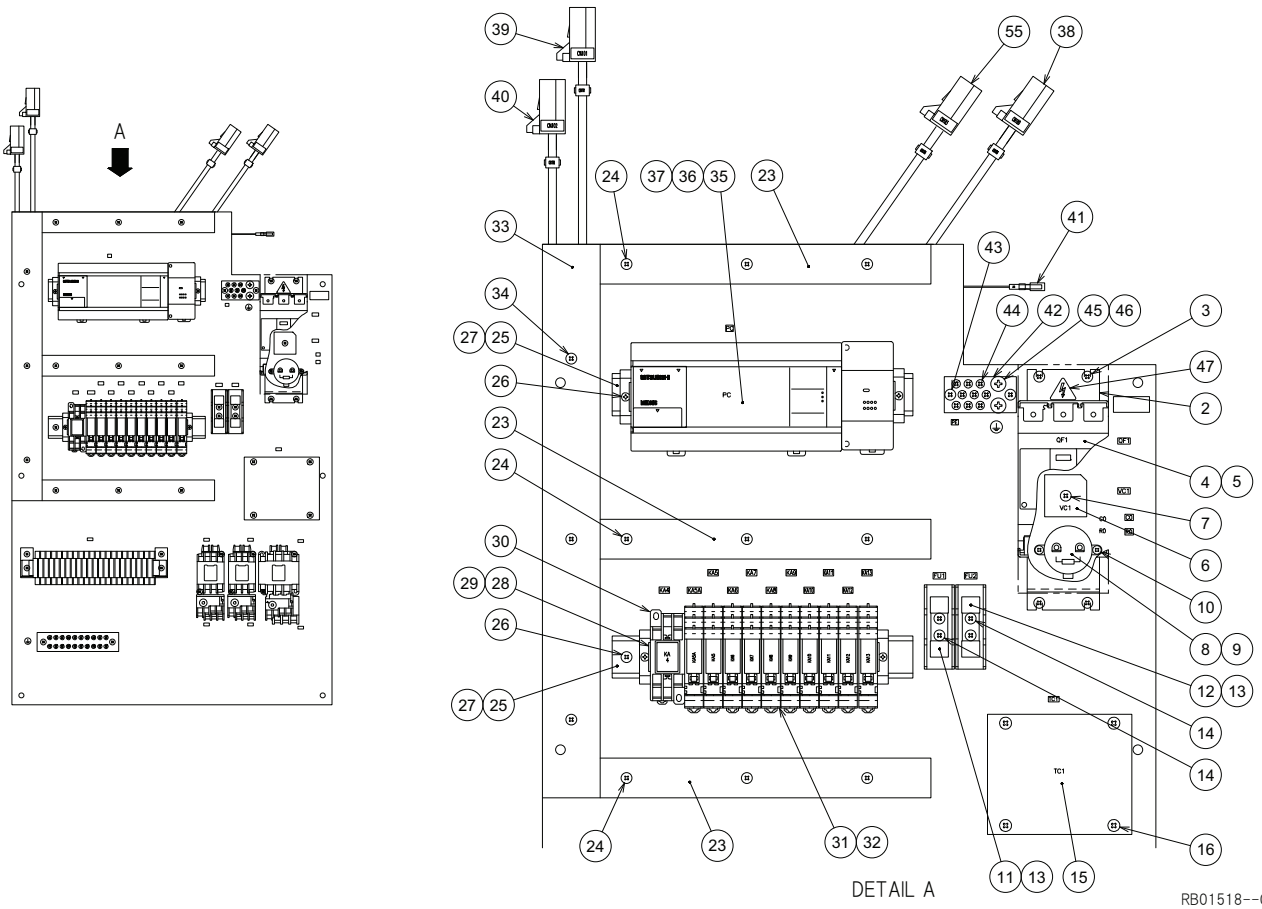
Unit No. 68
Electric US(2)

Index	Code	Parts Name	Drawing No.	Type	Maker	Q'ty	Note
1	10300821	Control Box	RB00774--C			1	
2	10300822	Control Box Cover	RB00775--B			1	
3	10325830	Bolt	P330010005	M5X16	JIS	2	
4	10322215	Spring Washer	P336050004	5	JIS	2	
5	10323127	Washer	P336000059	5(Polished Round)	JIS	2	
6	10300824	Cover	RB00776--B			1	
7	10322224	Pan Head Screw	P334100039	M5X10	JIS	4	
8	10301070	Panel Arrangement	RB01518--C			1	
9	10325313	Pan Head Screw	P334100058	M6X16	JIS	6	
10	10300825	Control Panel	RB00778--C			1	
11	10372307	Truss Head Screw	P334130009	M5X12	JIS	6	
12	10301115	Bush for Cable	RB0160001-	D22		3	
13	10300830	Cable Retainer A	RB00779--B			1	
14	10300831	Cable Retainer B	RB00780--B			1	
15	10380944	Sems Pan Head Screw	P334200063	M6X16(Spring/Polished Round)	JIS	4	
16	10301119	CAPCON	RB0160006-	D34		1	
17	10301069	Charging Mark D	RB01517---	125MM		1	
18	10301068	Sticker (Ground)	RB01516---			1	
19	10301120	Grommet	RB0160007-	D18		1	

Unit No. 68
Electric US(2)

Index	Code	Parts Name	Drawing No.	Type	Maker	Q'ty	Note
20	10321923	Washer	P336000006	8(Normal)	JIS	2	
21	10342325	Hex Socket Cap Screw	P330230004	M8X15		2	
22	10301121	Grommet	RB0160008-	W4XL250		1	
23	10322133	Truss Head Screw	P334130014	M6X20	JIS	2	
24	10589252	Sems Pan Head Screw	P334200013	M4X10(Spring/Polished Round)	JIS	2	

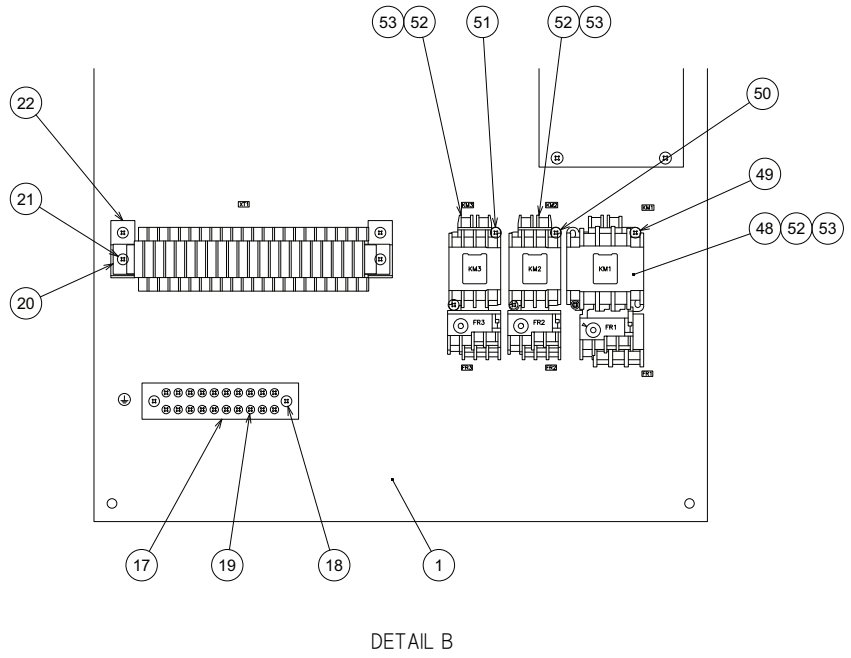
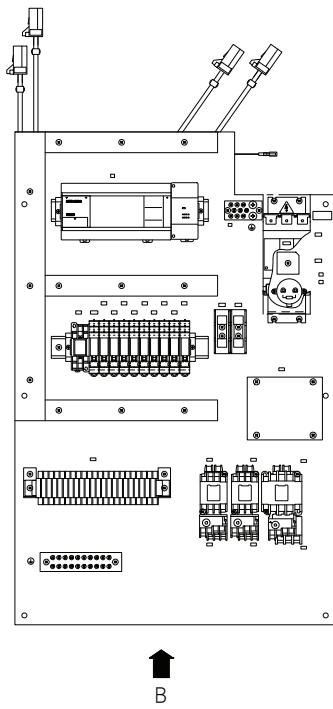
Unit No. 69
 Electric US(3)-1/2 <Panel Arrangement>



DETAIL A

RB01518--C

Unit No. 69
 Electric US(3)-2/2 <Panel Arrangement>



Unit No. 69
Electric US(3)

Index	Code	Parts Name	Drawing No.	Type	Maker	Q'ty	Note
1	10300832	Control Panel	RB00781--C			1	
2	10300833	Breaker Bracket	RB00782--C			1	
3	10589252	Sems Pan Head Screw	P334200013	M4X10(Spring/Polished Round)	JIS	4	
4	10300194	Accessory (Low Voltage Breaker)	P812098064	F-05SV	MITSUBISHI	1	
5	10300195	Accessory (Low Voltage Breaker)	P812098065	TCL-05SV3	MITSUBISHI	1	
6	10300207	Rectifier	P840068014	KBPC35-10	SUMGLE	1	VC1
7	10589252	Sems Pan Head Screw	P334200013	M4X10(Spring/Polished Round)	JIS	1	
8	10300211	Aluminum Capacitor	P840108041	50V10000Micro Farad	HWAKAI	1	C0
9	10300212	Resistor	P841128056	RS2W(5.1 kOhm)	YCX	1	R0
10	10589250	Sems Pan Head Screw	P334200010	M3X10(Spring/Polished Round)	JIS	2	
11	10364540	Fuse	P842064018	FCF2-3	FUJI Electric	1	FU1
12	10380702	Fuse	P842064020	FCF2-10	FUJI Electric	1	FU2
13	10382471	Fuse Holder	P842202004	F-7140	SATO PARTS	2	
14	10380683	Sems Pan Head Screw	P334200034	M4X16(Spring/Polished Round)	JIS	4	
15	10300180	Transformer	P772008054	JBK5-400	JUCHE	1	TC1
16	10380975	Sems Pan Head Screw	P334200047	M5X12(Spring/Polished Round)	JIS	4	
17	10300834	Ground Bar	RB00783--A			1	
18	10380683	Sems Pan Head Screw	P334200034	M4X16(Spring/Polished Round)	JIS	2	
19	10380682	Sems Pan Head Screw	P334200032	M4X6(Spring/Polished Round)	JIS	20	

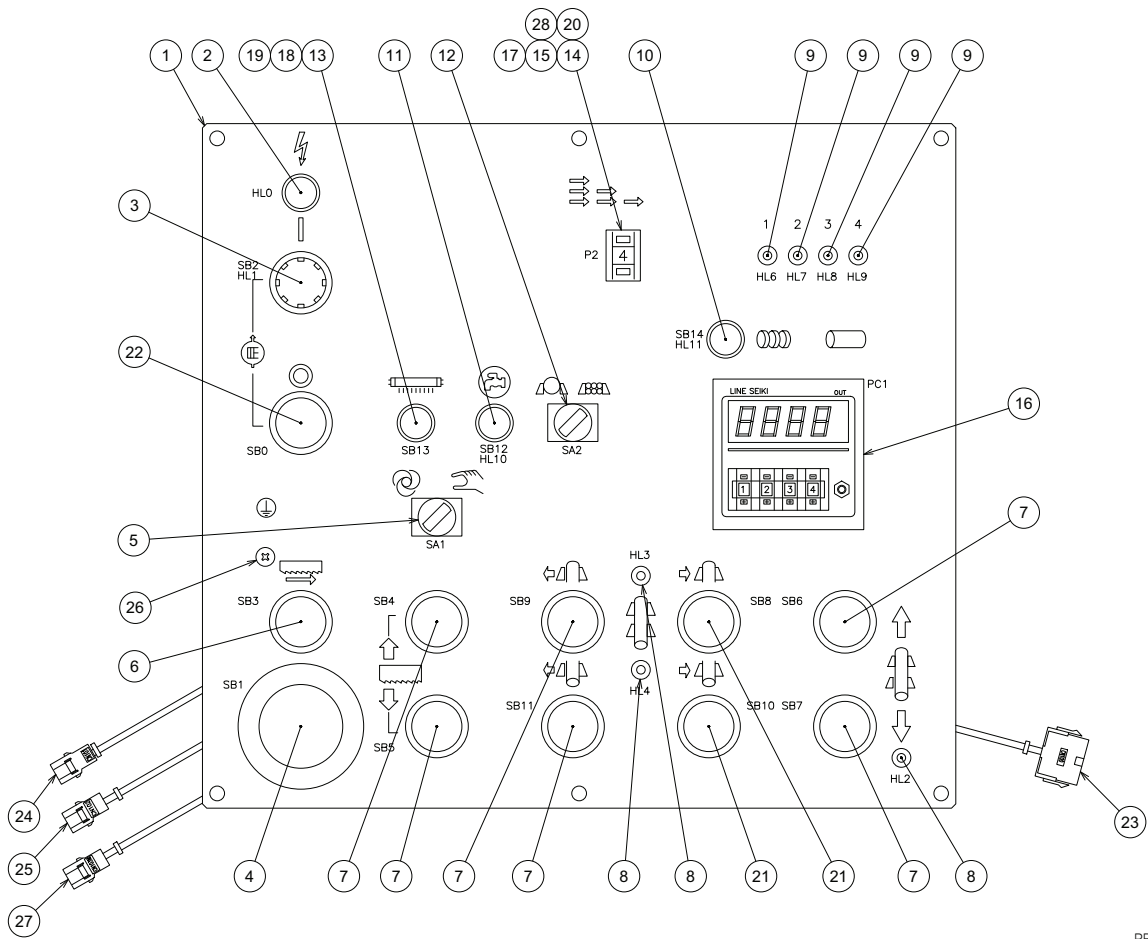
Unit No. 69
Electric US(3)

Index	Code	Parts Name	Drawing No.	Type	Maker	Q'ty	Note
20	10301128	Terminal Block ASSY	RB0251501B			1	XT1
21	10380683	Sems Pan Head Screw	P334200034	M4X16(Spring/Polished Round)	JIS	4	
22	10301117	Tilting Attachment	RB0160003-	(Conform to) BP23-2S		2	
23	10300224	Duct for Wiring	P869509272	GW-33100(L=275)	GIANTLOK	3	
24	10589252	Sems Pan Head Screw	P334200013	M4X10(Spring/Polished Round)	JIS	9	
25	10300217	Terminal Base	P864038171	FH-1007(L=250)	FEHUA	2	
26	10589252	Sems Pan Head Screw	P334200013	M4X10(Spring/Polished Round)	JIS	6	
27	10337281	Terminal Parts	P864052008	BNL6	IDEC	4	
28	10300181	Control Relay	P800002091	MY2N-CR-AC100V	OMRON	1	KA4
29	10300215	Accessory for Connector	P862188020	PYF08A	OMRON	1	
30	10349515	Accessory for Connector	P862188011	PYC-A1	OMRON	1	
31	10589483	Control Relay	P800002075	G2R-1-SND-DC24V	OMRON	10	KA5A,KA5-13
32	10589484	Accessory for Control Relay	P800082015	P2RF-05-E	OMRON	10	
33	10300225	Duct for Wiring	P869509274	GW-48100(L=460)	OLEANDER	1	
34	10589252	Sems Pan Head Screw	P334200013	M4X10(Spring/Polished Round)	JIS	3	
35	10428836	Programmable Controller	P767406003	FX1N-60MR-ES/UL	MITSUBISHI	1	PC
36	10582249	Accessory (Program Controller)	P767486019	FX1N-EEPROM-8L	MITSUBISHI	1	
37	10300836	PLC Ladder	RB00785--A	HA252V12.2		1	
38	10301076	Cable CN100F	RB0154801A			1	CN100

Unit No. 69
Electric US(3)

Index	Code	Parts Name	Drawing No.	Type	Maker	Q'ty	Note
39	10301077	Cable CN101F	RB0154802A			1	CN101
40	10301078	Cable CN102F	RB0154803A			1	CN102
41	10300214	Plug Type Terminal	P862148060	PC-2005F	NICHIFU	1	25
42	10300835	Ground Bar	RB00784--A			1	PE
43	10380683	Sems Pan Head Screw	P334200034	M4X16(Spring/Polished Round)	JIS	2	
44	10380682	Sems Pan Head Screw	P334200032	M4X6(Spring/Polished Round)	JIS	9	
45	10300140	Sems Pan Head Screw	P334200084	M6X8(Spring/Polished Round)	JIS	2	
46	10300143	Washer	P336000074	6(Polished Round)T=1.0	JIS	2	
47	10301123	Charging Mark	RB0160010-	20MM		1	
48	10385440	Accessory (Magnet Switch)	P810184018	SZ-A31	FUJI Electric	1	KM1,FR1
49	10380683	Sems Pan Head Screw	P334200034	M4X16(Spring/Polished Round)	JIS	2	
50	10380683	Sems Pan Head Screw	P334200034	M4X16(Spring/Polished Round)	JIS	2	
51	10380683	Sems Pan Head Screw	P334200034	M4X16(Spring/Polished Round)	JIS	2	
52	10301116	Spark Killer	RB0160002-	(Conform to) SKVB104120		3	
53	10300210	Varistor	P840078056	TUR20D112K	JOCOL	9	
54	10301079	Name Plate	RB0154804A			1	List Only/US(AC230V)/AS(AC460V)
55	10301080	Cable CN103F	RB0154805-			1	CN103

Unit No. 70
 Electric US(4) <Control Panel>



RB00778--C

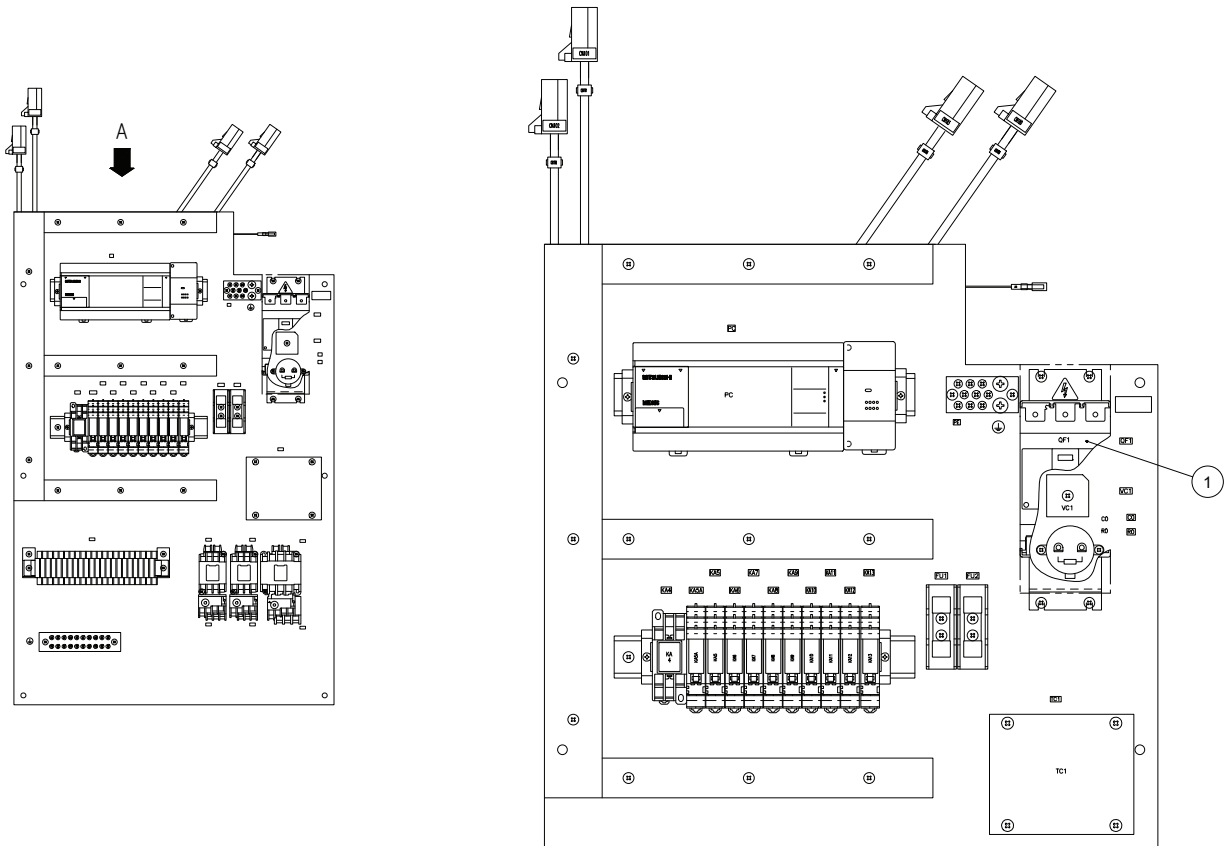
Unit No. 70
Electric US(4)

Index	Code	Parts Name	Drawing No.	Type	Maker	Q'ty	Note
1	10300837	Name Plate	RB00786--C			1	
2	10300213	Indicator Apparatus	P843024023	AH165-ZWH3	FUJI Electric	1	HL0
3	10579339	Illuminated Pushbutton	P822084031	AR22F0L-10H3W	FUJI Electric	1	SB2,HL1
4	10300199	Push Button Switch	P821084115	AR22V0R-01R	FUJI Electric	1	SB1
5	10337159	Key Select Switch	P820004027	AH165-P2B11	FUJI Electric	1	SA1
6	10579341	Push Button Switch	P821084154	AR22G2R-20W	FUJI Electric	1	SB3
7	10589510	Push Button Switch	P821084080	AR22F0R-10W	FUJI Electric	6	SB4-SB7,SB9,SB11
8	10583452	Indicator Apparatus	P843188016	DB24-89WUS	MARUYASU DENGYO	3	HL2,HL3,HL4
9	10583452	Indicator Apparatus	P843188016	DB24-89WUS	MARUYASU DENGYO	4	HL6-HL9
10	10300204	Illuminated Pushbutton	P822064076	AH165-L5W11E3	FUJI Electric	1	SB14,HL11
11	10300205	Illuminated Pushbutton	P822064077	AH165-L5W11H3	FUJI Electric	1	SB12,HL10
12	10337159	Key Select Switch	P820004027	AH165-P2B11	FUJI Electric	1	SA2
13	10337521	Push Button Switch	P821064009	AH165-E5W22	FUJI Electric	1	SB13
14	10380727	Key Select Switch	P820022002	A7BS-206-S-1	OMRON	1	P2
15	10380728	Accessory for Rotary Switch	P820082002	A7B-C(Connector)	OMRON	1	
16	10300103	Electronic Counter	7720235---	MD-144M-509	LINE SEIKI	1	PC1
17	10380870	Accessory for Rotary Switch	P820082001	A7B-M-1(Setting Plate)	OMRON	1	
18	10300208	Varistor	P840078053	TUR20D271K	JOCOL	1	
19	10301116	Spark Killer	RB0160002-	(Conform to) SKVB104120		1	

Unit No. 70
Electric US(4)

Index	Code	Parts Name	Drawing No.	Type	Maker	Q'ty	Note
20	10300838	Counter Cover	RB00787---			1	
21	10300200	Push Button Switch	P821084195	AR22G2R-10W	FUJI Electric	2	SB8,SB10
22	10300198	Push Button Switch	P821084081	AR22F0R-01B	FUJI Electric	1	SB0
23	10300826	Cable CN100M	RB0077801A			1	CN100
24	10300827	Cable CN101M	RB0077802A			1	
25	10300828	Cable CN102M	RB0077803A			1	
26	10589252	Sems Pan Head Screw	P334200013	M4X10(Spring/Polished Round)	JIS	1	
27	10300829	Cable CN103M	RB0077804-			1	
28	10300150	Cable Band	P381058169	AB100	Tyton	2	

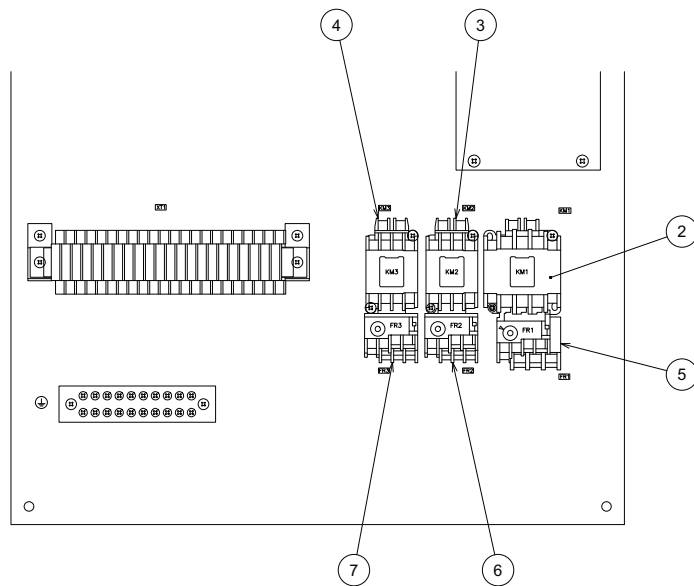
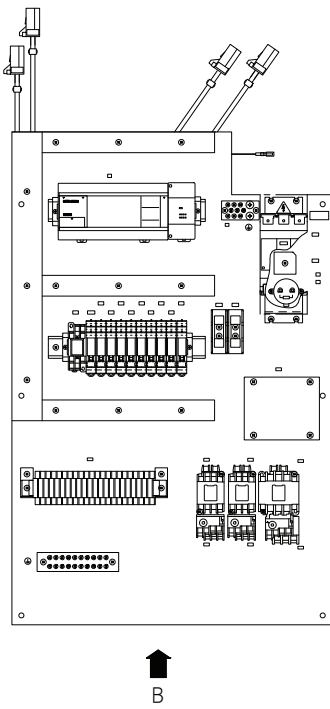
Unit No. 71
 Electric US(5)-1/2 <US Specification Component(HA250W)>



DETAIL A

RB01582---
 (RB01518--C)

Unit No. 71
 Electric US(5)-2/2 <US Specification Component(HA250W)>



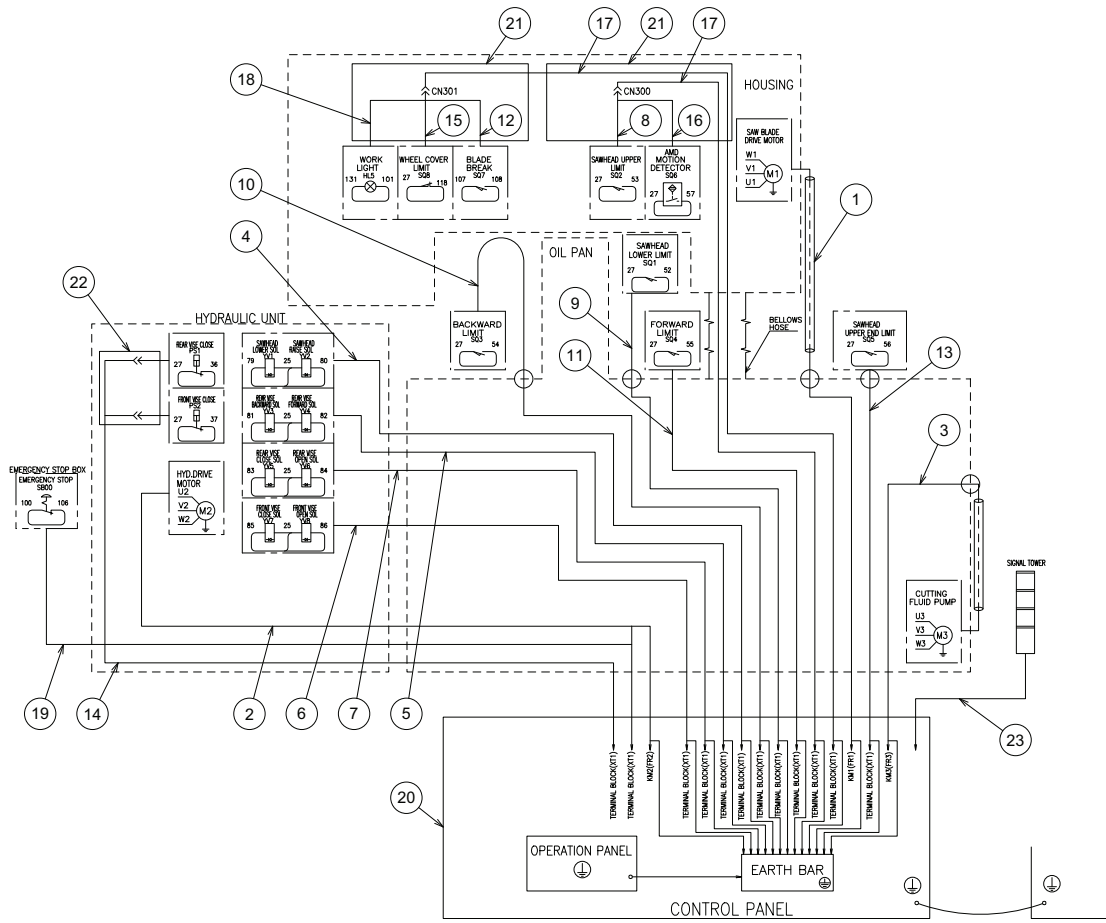
DETAIL B

RB01582---
 (RB01518--C)

Unit No. 71
Electric US(5)

Index	Code	Parts Name	Drawing No.	Type	Maker	Q'ty	Note
1	10300188	Low Voltage Breaker	P812008027	NF63-CV-3P-50A	MITSUBISHI	1	for 230V / QF1
1	10579402	Magnet Switch	P810044142	SW-05/3H(2.8A)AC100V-2A	FUJI Electric	1	for 460V / QF1
2	10579540	Magnet Switch	P810044155	SW-5-1/3H(12A)AC100V	FUJI Electric	1	KM1
3	10300189	Low Voltage Breaker	P812008030	NF32-SV-3P-20A	MITSUBISHI	1	KM2
4	10579541	Protection Relay	P801004066	TR-5-1N/3(5-8A)	FUJI Electric	1	KM3
5	10579406	Magnet Switch	P810044144	SW-0/3H(0.48A)AC100V	FUJI Electric	1	for 460V / FR1
6	10579543	Protection Relay	P801004085	TR-0N/3(1.4-2.2A)	FUJI Electric	1	for 460V / FR2
7	10300182	Protection Relay	P801004147	TR-0N/3(0.24-0.36A)	FUJI Electric	1	for 460V / FR3

Unit No. 72
 Electric EU(1) <Cable>



RB01551--C

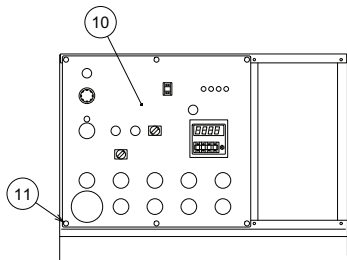
Unit No. 72
Electric EU(1)

Index	Code	Parts Name	Drawing No.	Type	Maker	Q'ty	Note
1	10301074	Saw Blade Motor Cable	RB0154201A			1	
2	10301072	Hydraulic Motor Cable	RB0152302A	1		1	
3	10301073	Cutting Fluid Pump Motor Cable	RB0152303A			1	
4	10301092	Rase/Lower SOL Cable	RB0155106B			1	
5	10301093	Forward/Backward SOL Cable	RB0155107B			1	
6	10301094	Front Vise SOL Cable	RB0155108B			1	
7	10301095	Rear Vise SOL Cable	RB0155109B			1	
8	10301096	Sawhead Upper Limit LS Cable	RB0155111C			1	
9	10301097	Lower Limit LS Cable	RB0155112C			1	
10	10301098	Backward Limit LS Cable	RB0155113C			1	
11	10301099	Forward Limit LS Cable	RB0155114C			1	
12	10301100	Blade Break LS Cable	RB0155115C			1	
13	10301101	Sawhead Upper End Limit LS Cable	RB0155116C			1	
14	10301102	Front/Rear Vise Close LS Cable	RB0155117C			1	
15	10301103	Cable	RB0155118B			1	
16	10301104	AMD Motion Detector Cable	RB0155120B			1	
17	10301105	Housing Junction Cable	RB0155121A			1	
18	10301106	Working Light Cable	RB0155123C			1	
19	10301107	Emergency Stop Button Cable	RB0155127A			1	

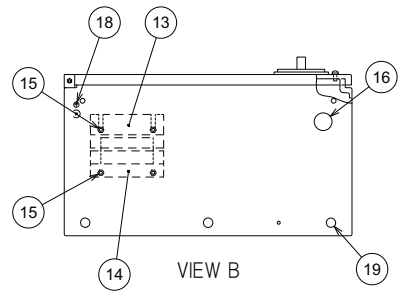
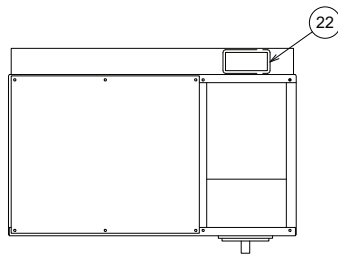
Unit No. 72
Electric EU(1)

Index	Code	Parts Name	Drawing No.	Type	Maker	Q'ty	Note
20		Control Panel	RB0155128B			1	
21	10301118	Vinyl Tube	RB0160005-	D50XL400(T=0.5)		2	
22	10301124	Vinyl Tube	RB0160011-	D50XL200(T=0.5)		1	
23	10301109	Signal Light Cable Add Works	RB0155131-			1	

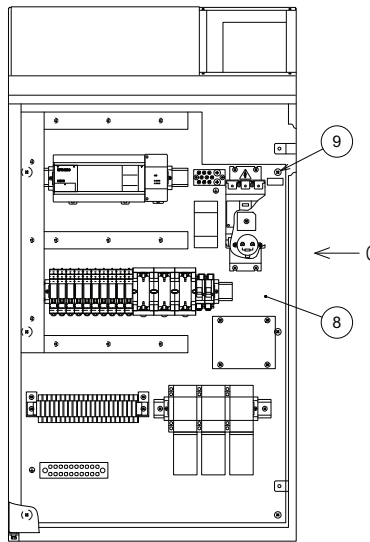
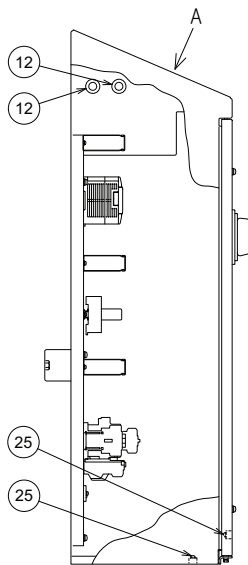
Unit No. 73
 Electric EU(2)-1/2 <Electrical Enclosure>



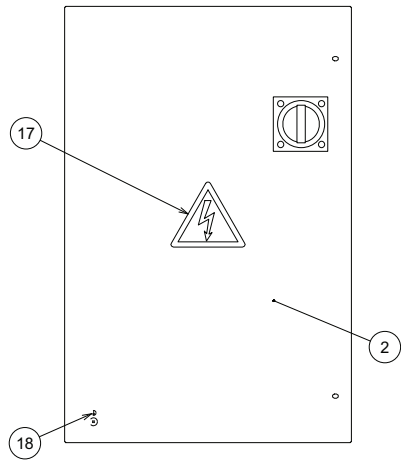
VIEW A



VIEW B

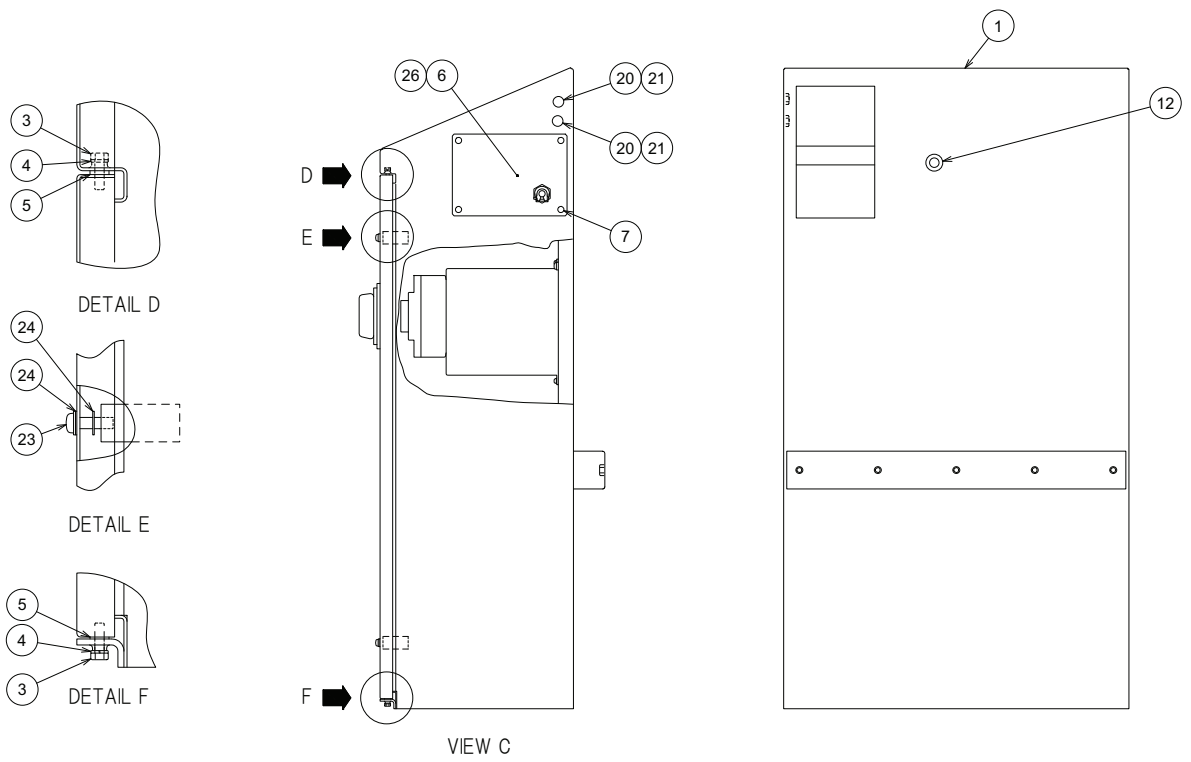


B



RB01552--D

Unit No. 73
 Electric EU(2)-2/2 <Electrical Enclosure>



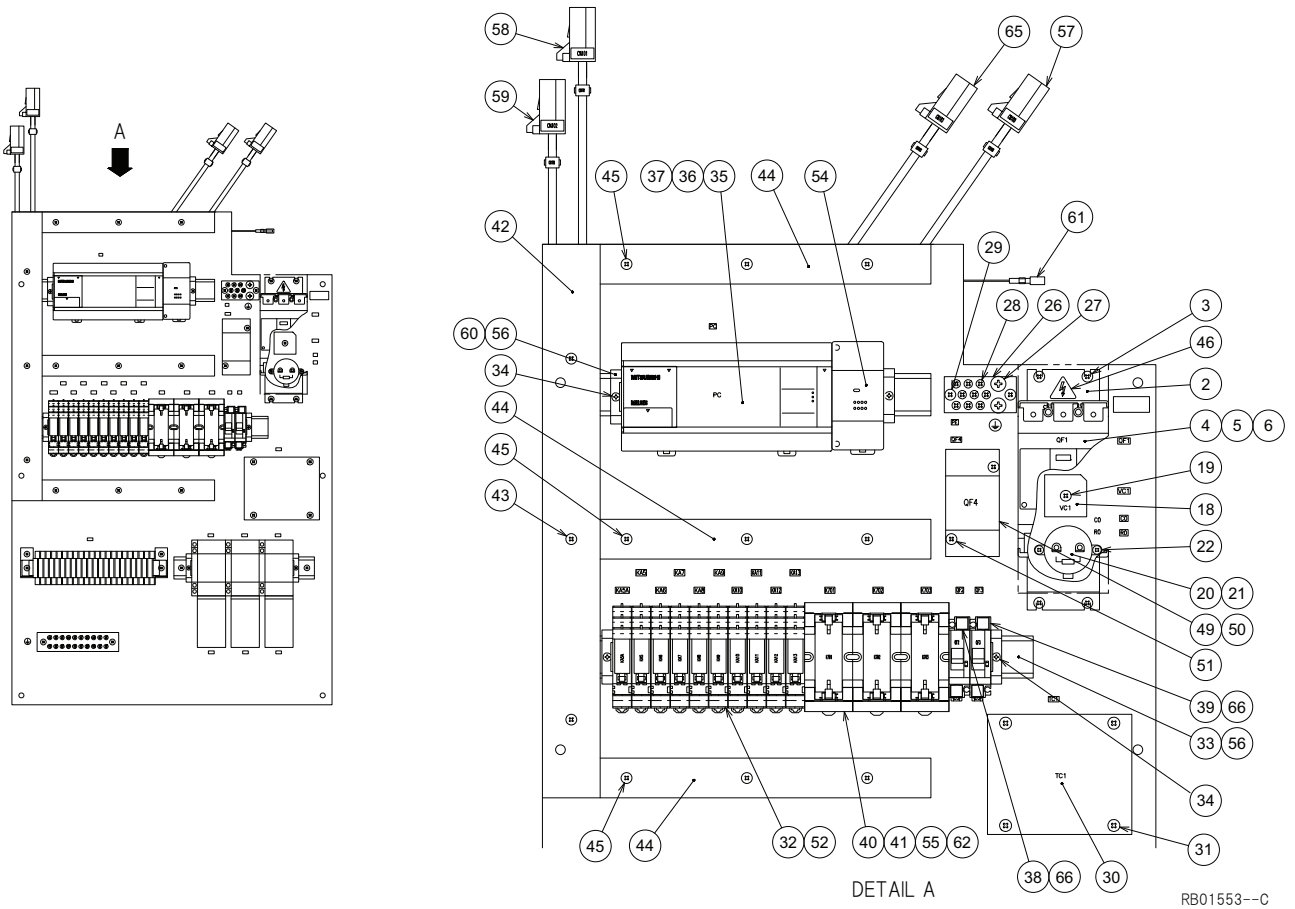
Unit No. 73
Electric EU(2)

Index	Code	Parts Name	Drawing No.	Type	Maker	Q'ty	Note
1	10300821	Control Box	RB00774--C			1	
2	10300822	Control Box Cover	RB00775--B			1	
3	10325830	Bolt	P330010005	M5X16	JIS	2	
4	10322215	Spring Washer	P336050004	5	JIS	2	
5	10323127	Washer	P336000059	5(Polished Round)	JIS	2	
6	10300824	Cover	RB00776--B			1	
7	10322224	Pan Head Screw	P334100039	M5X10	JIS	4	
8	10301111	Panel Arrangement	RB01553--C			1	
9	10325313	Pan Head Screw	P334100058	M6X16	JIS	6	
10	10300825	Control Panel	RB00778--C			1	
11	10372307	Truss Head Screw	P334130009	M5X12	JIS	6	
12	10301115	Bush for Cable	RB0160001-	D22		3	
13	10300830	Cable Retainer A	RB00779--B			1	
14	10300831	Cable Retainer B	RB00780--B			1	
15	10380944	Sems Pan Head Screw	P334200063	M6X16(Spring/Polished Round)	JIS	4	
16	10301119	CAPCON	RB0160006-	D34		1	
17	10301069	Charging Mark D	RB01517---	125MM		1	
18	10301068	Sticker (Ground)	RB01516---			1	
19	10301120	Grommet	RB0160007-	D18		1	

Unit No. 73
Electric EU(2)

Index	Code	Parts Name	Drawing No.	Type	Maker	Q'ty	Note
20	10321923	Washer	P336000006	8(Normal)	JIS	2	
21	10342325	Hex Socket Cap Screw	P330230004	M8X15		2	
22	10301121	Grommet	RB0160008-	W4XL250		1	
23	10322133	Truss Head Screw	P334130014	M6X20	JIS	2	
24	10380967	Washer	P336198002	TM-147-4	TOCHIGIYA	4	
25	10589252	Sems Pan Head Screw	P334200013	M4X10(Spring/Polished Round)	JIS	2	
26	10300823	Cover Add Works	RB0077501B			1	

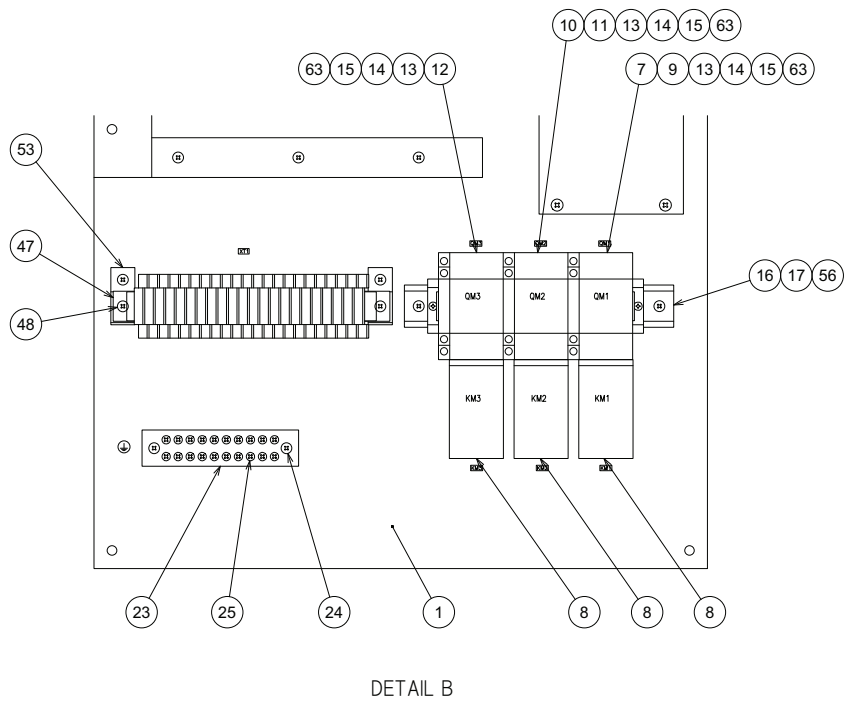
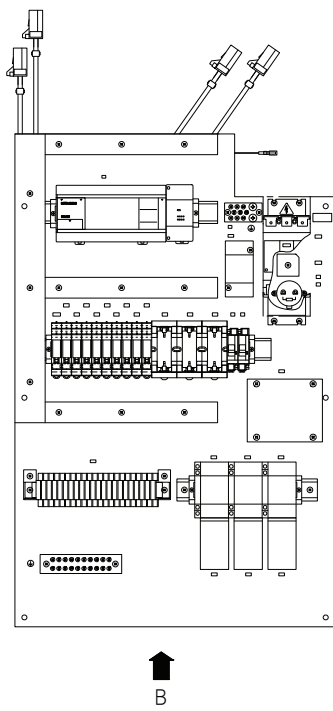
Unit No. 74
 Electric EU(3)-1/2 <Panel Arrangement>



DETAIL A

RB01553--C

Unit No. 74
 Electric EU(3)-2/2 <Panel Arrangement>



Unit No. 74
Electric EU(3)

Index	Code	Parts Name	Drawing No.	Type	Maker	Q'ty	Note
1	10300832	Control Panel	RB00781--C			1	
2	10300833	Breaker Bracket	RB00782--C			1	
3	10589252	Sems Pan Head Screw	P334200013	M4X10(Spring/Polished Round)	JIS	4	
4	10300189	Low Voltage Breaker	P812008030	NF32-SV-3P-20A	MITSUBISHI	1	QF1
5	10300194	Accessory (Low Voltage Breaker)	P812098064	F-05SV	MITSUBISHI	1	
6	10300195	Accessory (Low Voltage Breaker)	P812098065	TCL-05SV3	MITSUBISHI	1	
7	10300191	Low Voltage Breaker	P812048089	GV2-ME146	Schneider Electric	1	
8	10579316	Magnet Contactor	P810008013	LC1-D09K7	Schneider Electric	3	
9	10300184	Accessory for Contactor	P810018016	LAD-N31	Schneider Electric	1	
10	10300192	Low Voltage Breaker	P812048093	GV2-ME076	Schneider Electric	1	
11	10300183	Accessory for Contactor	P810018014	LAD-N20	Schneider Electric	1	
12	10589499	Low Voltage Breaker	P812048091	GV2-ME036	Schneider Electric	1	
13	10579229	Accessory for Contactor	P810018004	GV2-AF3	Schneider Electric	3	
14	10301116	Spark Killer	RB0160002-	(Conform to) SKVB104120		3	
15	10300210	Varistor	P840078056	TUR20D112K	JOCOL	9	
16	10300216	Terminal Base	P864038169	FH-1003(L=250)	FEHUA	1	
17	10589252	Sems Pan Head Screw	P334200013	M4X10(Spring/Polished Round)	JIS	2	
18	10300207	Rectifier	P840068014	KBPC35-10	SUMGLE	1	VC1
19	10589252	Sems Pan Head Screw	P334200013	M4X10(Spring/Polished Round)	JIS	1	

Unit No. 74
Electric EU(3)

Index	Code	Parts Name	Drawing No.	Type	Maker	Q'ty	Note
20	10300211	Aluminum Capacitor	P840108041	50V10000Micro Farad	HWAKAI	1	C0
21	10300212	Resistor	P841128056	RS2W(5.1 kOhm)	YCX	1	R0
22	10589250	Sems Pan Head Screw	P334200010	M3X10(Spring/Polished Round)	JIS	2	
23	10300834	Ground Bar	RB00783--A			1	
24	10380683	Sems Pan Head Screw	P334200034	M4X16(Spring/Polished Round)	JIS	2	
25	10380682	Sems Pan Head Screw	P334200032	M4X6(Spring/Polished Round)	JIS	20	
26	10300835	Ground Bar	RB00784--A			1	PE
27	10380683	Sems Pan Head Screw	P334200034	M4X16(Spring/Polished Round)	JIS	2	
28	10380682	Sems Pan Head Screw	P334200032	M4X6(Spring/Polished Round)	JIS	9	
29	10300140	Sems Pan Head Screw	P334200084	M6X8(Spring/Polished Round)	JIS	2	
30	10300180	Transformer	P772008054	JBK5-400	JUCHE	1	TC1
31	10380975	Sems Pan Head Screw	P334200047	M5X12(Spring/Polished Round)	JIS	4	
32	10589483	Control Relay	P800002075	G2R-1-SND-DC24V	OMRON	10	KA5A,KA5-13
33	10300218	Terminal Base	P864038172	FH-1007(L=360)	FEHUA	1	
34	10589252	Sems Pan Head Screw	P334200013	M4X10(Spring/Polished Round)	JIS	6	
35	10428836	Programmable Controller	P767406003	FX1N-60MR-ES/UL	mitsubishi	1	PC
36	10582249	Accessory (Program Controller)	P767486019	FX1N-EEPROM-8L	mitsubishi	1	
37	10300836	PLC Ladder	RB00785--A	HA252V12.2		1	
38	10300196	Low Voltage Breaker	P812128227	CP31FS/2D	FUJI Electric	1	QF2

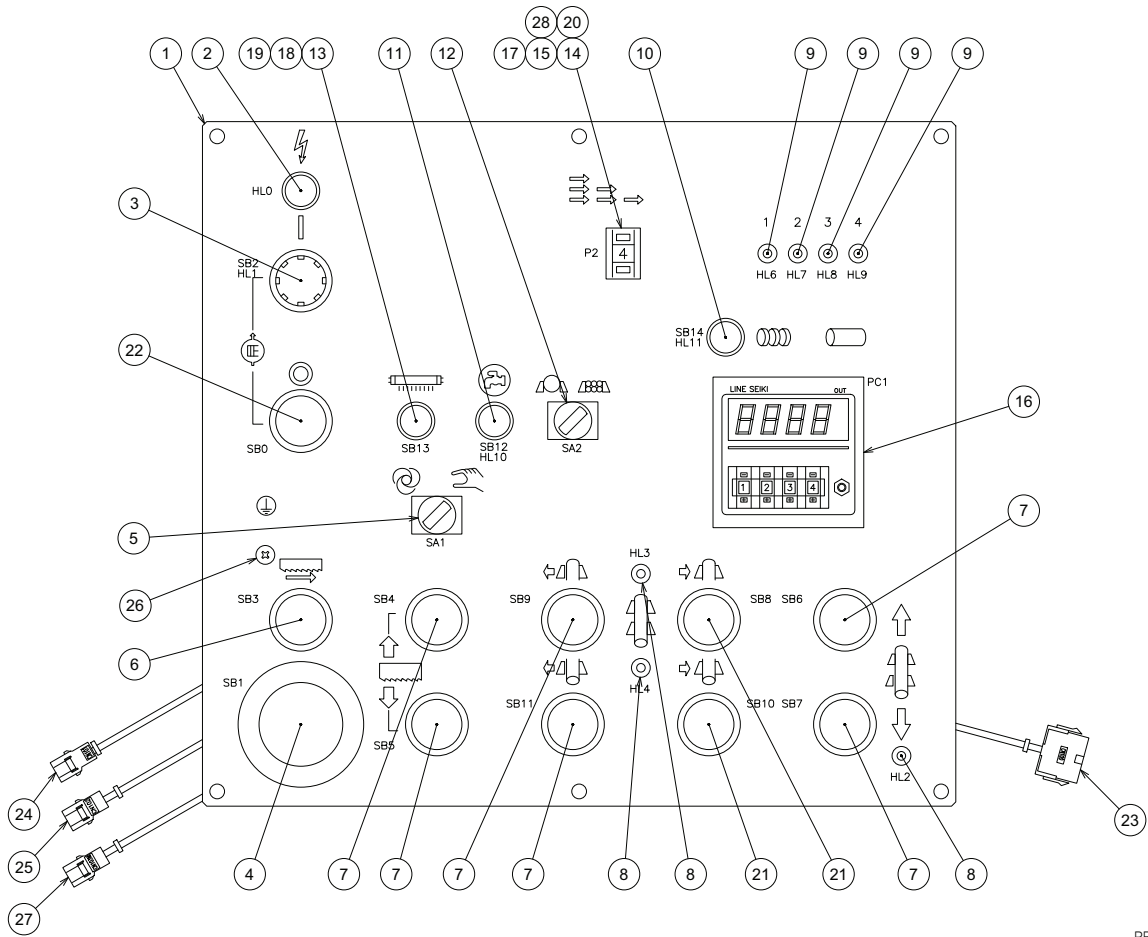
Unit No. 74
Electric EU(3)

Index	Code	Parts Name	Drawing No.	Type	Maker	Q'ty	Note
39	10300197	Low Voltage Breaker	P812128280	CP31FS/15D	FUJI Electric	1	QF3
40	10485349	Control Relay	P800002125	G7S-4A2B-E	OMRON	2	K701-703
41	10485350	Control Relay	P800002126	G7S-3A3B-E	OMRON	1	K701-703
42	10300225	Duct for Wiring	P869509274	GW-48100(L=460)	OLEANDER	1	
43	10589252	Sems Pan Head Screw	P334200013	M4X10(Spring/Polished Round)	JIS	3	
44	10300224	Duct for Wiring	P869509272	GW-33100(L=275)	GIANTLOK	3	
45	10589252	Sems Pan Head Screw	P334200013	M4X10(Spring/Polished Round)	JIS	9	
46	10301123	Charging Mark	RB0160010-	20MM		1	
47	10301128	Terminal Block ASSY	RB0251501B			1	
48	10380683	Sems Pan Head Screw	P334200034	M4X16(Spring/Polished Round)	JIS	4	
49	10300192	Low Voltage Breaker	P812048093	GV2-ME076	Schneider Electric	1	QF4
50	10300193	Accessory (Low Voltage Breaker)	P812098040	GV2-AF02	Schneider Electric	1	
51	10589252	Sems Pan Head Screw	P334200013	M4X10(Spring/Polished Round)	JIS	2	
52	10589484	Accessory for Control Relay	P800082015	P2RF-05-E	OMRON	10	
53	10301117	Tilting Attachment	RB0160003-	(Conform to) BP23-2S		2	
54	10583723	Accessory (Program Controller)	P767486037	FX2N-8EYR-ES/UL	MITSUBISHI	1	
55	10485351	Accessory for Control Relay	P800082063	P7S-14F-END	OMRON	3	
56	10337281	Terminal Parts	P864052008	BNL6	IDEC	6	
57	10301076	Cable CN100F	RB0154801A			1	CN100

Unit No. 74
Electric EU(3)

Index	Code	Parts Name	Drawing No.	Type	Maker	Q'ty	Note
58	10301077	Cable CN101F	RB0154802A			1	CN101
59	10301078	Cable CN102F	RB0154803A			1	CN102
60	10300216	Terminal Base	P864038169	FH-1003(L=250)	FEHUA	1	
61	10300214	Plug Type Terminal	P862148060	PC-2005F	NICHIFU	1	25
62	10301112	RC Cable	RB0155301-			1	
63	10579228	Accessory (Low Voltage Breaker)	P812098024	GV-AN11	Schneider Electric	3	
64	10301079	Name Plate	RB0154804A			1	List Only
65	10301080	Cable CN103F	RB0154805-			1	CN103
66	10589507	Accessory (Low Voltage Breaker)	P812194011	CP-T4 (Terminal Cover)	FUJI Electric	4	

Unit No. 75
 Electric EU(4) <Control Panel>



RB00778--C

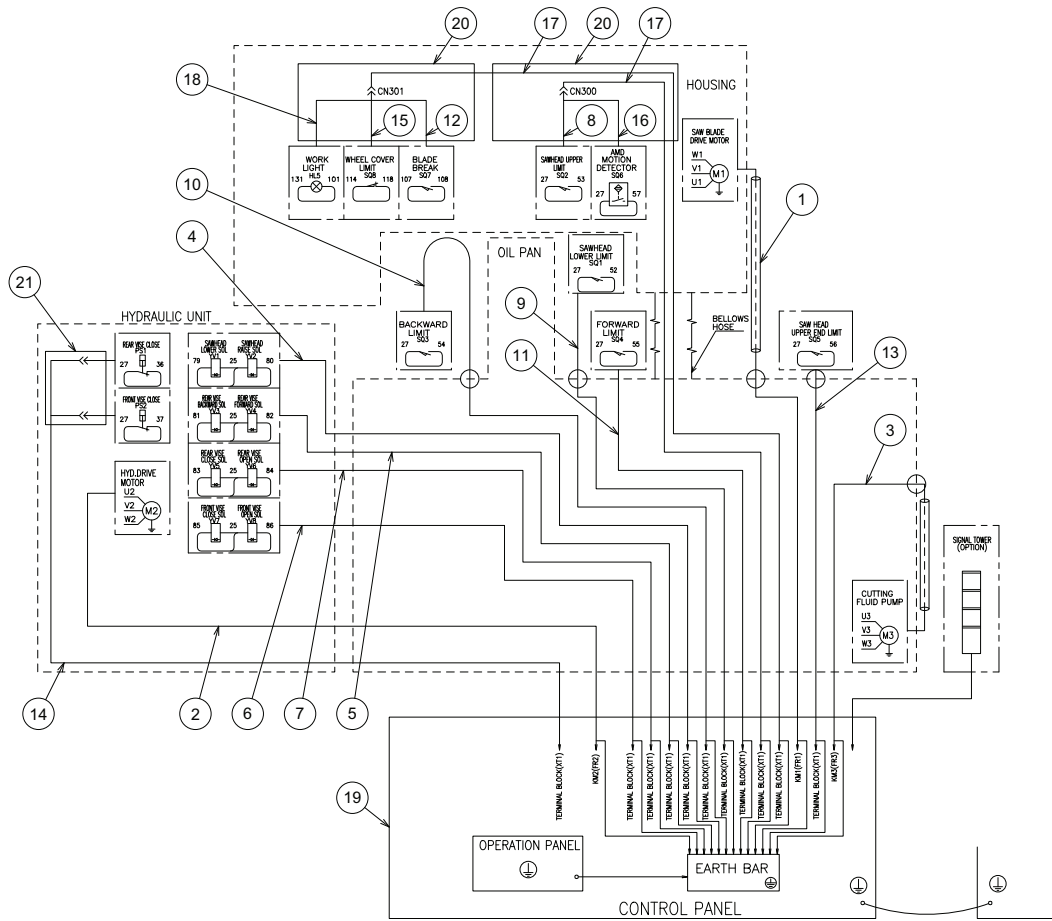
Unit No. 75
Electric EU(4)

Index	Code	Parts Name	Drawing No.	Type	Maker	Q'ty	Note
1	10300837	Name Plate	RB00786--C			1	
2	10300213	Indicator Apparatus	P843024023	AH165-ZWH3	FUJI Electric	1	HL0
3	10579339	Illuminated Pushbutton	P822084031	AR22F0L-10H3W	FUJI Electric	1	SB2,HL1
4	10300199	Push Button Switch	P821084115	AR22V0R-01R	FUJI Electric	1	SB1
5	10337159	Key Select Switch	P820004027	AH165-P2B11	FUJI Electric	1	SA1
6	10579341	Push Button Switch	P821084154	AR22G2R-20W	FUJI Electric	1	SB3
7	10589510	Push Button Switch	P821084080	AR22F0R-10W	FUJI Electric	6	SB4-SB7,SB9,SB11
8	10583452	Indicator Apparatus	P843188016	DB24-89WUS	MARUYASU DENGYO	3	HL2,HL3,HL4
9	10583452	Indicator Apparatus	P843188016	DB24-89WUS	MARUYASU DENGYO	4	HL6-HL9
10	10300204	Illuminated Pushbutton	P822064076	AH165-L5W11E3	FUJI Electric	1	SB14,HL11
11	10300205	Illuminated Pushbutton	P822064077	AH165-L5W11H3	FUJI Electric	1	SB12,HL10
12	10337159	Key Select Switch	P820004027	AH165-P2B11	FUJI Electric	1	SA2
13	10337521	Push Button Switch	P821064009	AH165-E5W22	FUJI Electric	1	SB13
14	10380727	Key Select Switch	P820022002	A7BS-206-S-1	OMRON	1	P2
15	10380728	Accessory for Rotary Switch	P820082002	A7B-C(Connector)	OMRON	1	
16	10300103	Electronic Counter	7720235---	MD-144M-509	LINE SEIKI	1	PC1
17	10380870	Accessory for Rotary Switch	P820082001	A7B-M-1(Setting Plate)	OMRON	1	
18	10300208	Varistor	P840078053	TUR20D271K	JOCOL	1	
19	10301116	Spark Killer	RB0160002-	(Conform to) SKVB104120		1	

Unit No. 75
Electric EU(4)

Index	Code	Parts Name	Drawing No.	Type	Maker	Q'ty	Note
20	10300838	Counter Cover	RB00787---			1	
21	10300200	Push Button Switch	P821084195	AR22G2R-10W	FUJI Electric	2	SB8,SB10
22	10300198	Push Button Switch	P821084081	AR22F0R-01B	FUJI Electric	1	SB0
23	10300826	Cable CN100M	RB0077801A			1	CN100
24	10300827	Cable CN101M	RB0077802A			1	
25	10300828	Cable CN102M	RB0077803A			1	
26	10589252	Sems Pan Head Screw	P334200013	M4X10(Spring/Polished Round)	JIS	1	
27	10300829	Cable CN103M	RB0077804-			1	
28	10300150	Cable Band	P381058169	AB100	Tyton	2	

Unit No. 76
 Electric AS(1) <Cable>



RB01509---

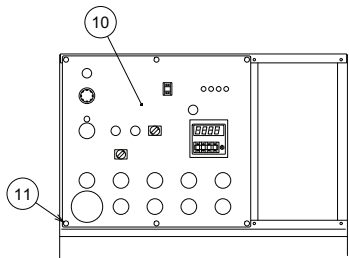
Unit No. 76
Electric AS(1)

Index	Code	Parts Name	Drawing No.	Type	Maker	Q'ty	Note
1	10301074	Saw Blade Motor Cable	RB0154201A			1	
2	10301072	Hydraulic Motor Cable	RB0152302A	1		1	
3	10301073	Cutting Fluid Pump Motor Cable	RB0152303A			1	
4	10301092	Rase/Lower SOL Cable	RB0155106B			1	
5	10301093	Forward/Backward SOL Cable	RB0155107B			1	
6	10301094	Front Vise SOL Cable	RB0155108B			1	
7	10301095	Rear Vise SOL Cable	RB0155109B			1	
8	10301096	Sawhead Upper Limit LS Cable	RB0155111C			1	
9	10301097	Lower Limit LS Cable	RB0155112C			1	
10	10301098	Backward Limit LS Cable	RB0155113C			1	
11	10301099	Forward Limit LS Cable	RB0155114C			1	
12	10301100	Blade Break LS Cable	RB0155115C			1	
13	10301101	Sawhead Upper End Limit LS Cable	RB0155116C			1	
14	10301102	Front/Rear Vise Close LS Cable	RB0155117C			1	
15	10300816	Cover Open Limit Switch Cable	RB0077118C			1	
16	10301104	AMD Motion Detector Cable	RB0155120B			1	
17	10300817	Housing Junction Cable	RB0077121C			1	
18	10301106	Working Light Cable	RB0155123C			1	
19		Control Panel	RB0151226A			1	

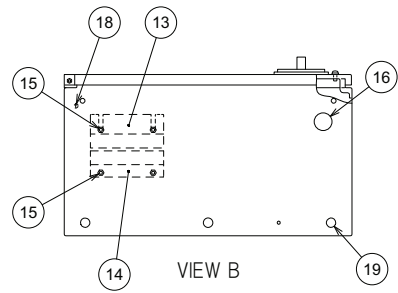
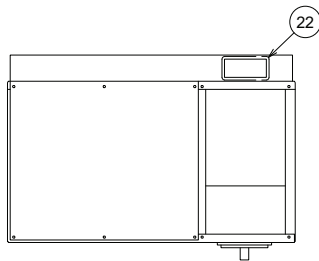
Unit No. 76
Electric AS(1)

Index	Code	Parts Name	Drawing No.	Type	Maker	Q'ty	Note
20	10301118	Vinyl Tube	RB0160005-	D50XL400(T=0.5)		2	
21	10301124	Vinyl Tube	RB0160011-	D50XL200(T=0.5)		2	

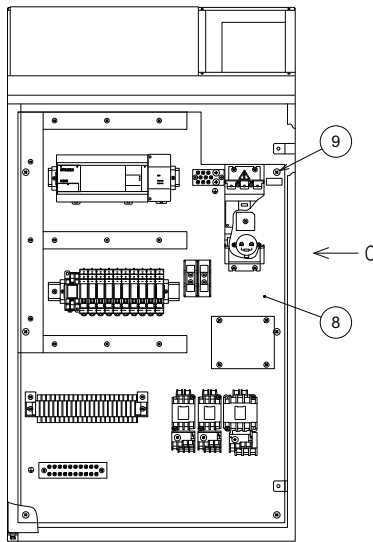
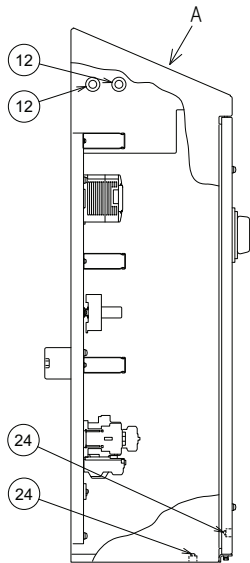
Unit No. 77
 Electric AS(2)-1/2 <Electrical Enclosure>



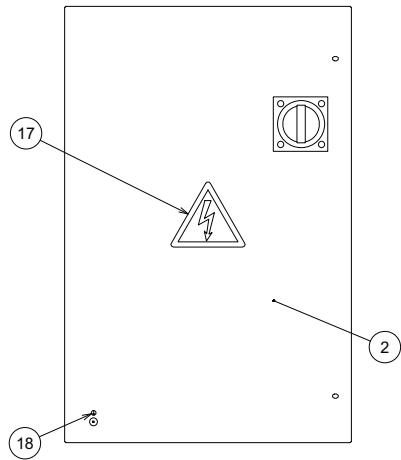
VIEW A



VIEW B

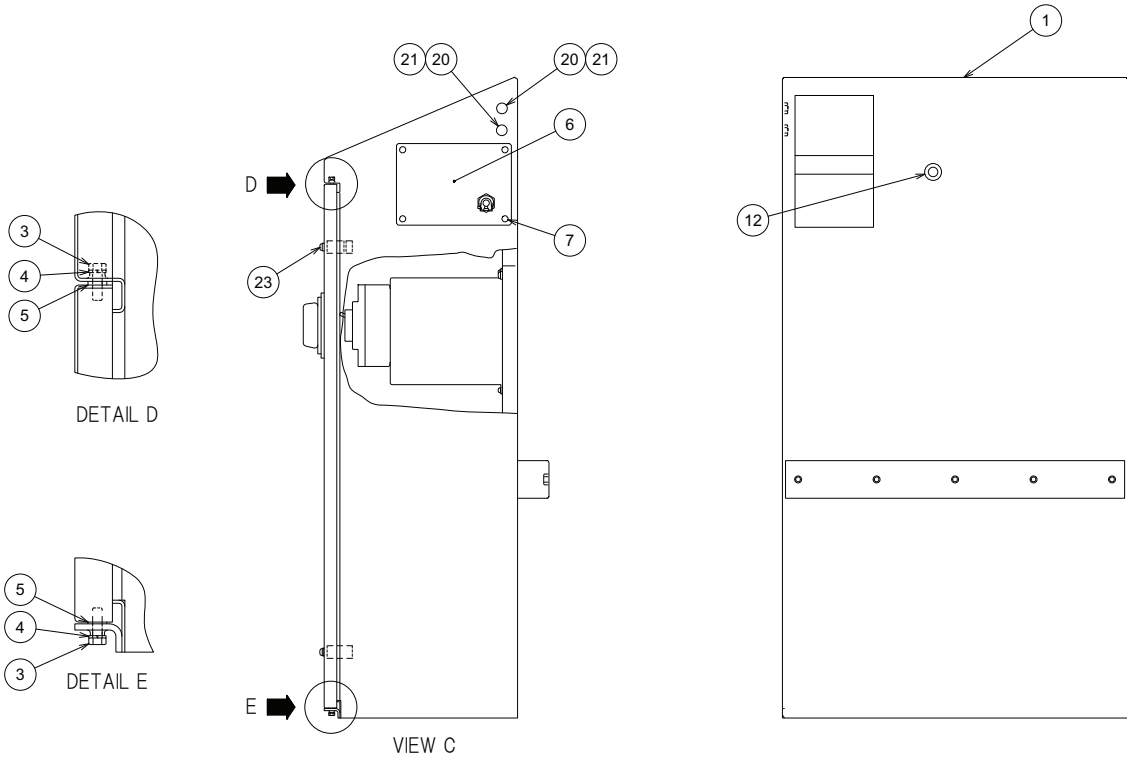


B



RB01511--D

Unit No. 77
Electric AS(2)-2/2 <Electrical Enclosure>



RB01511--D

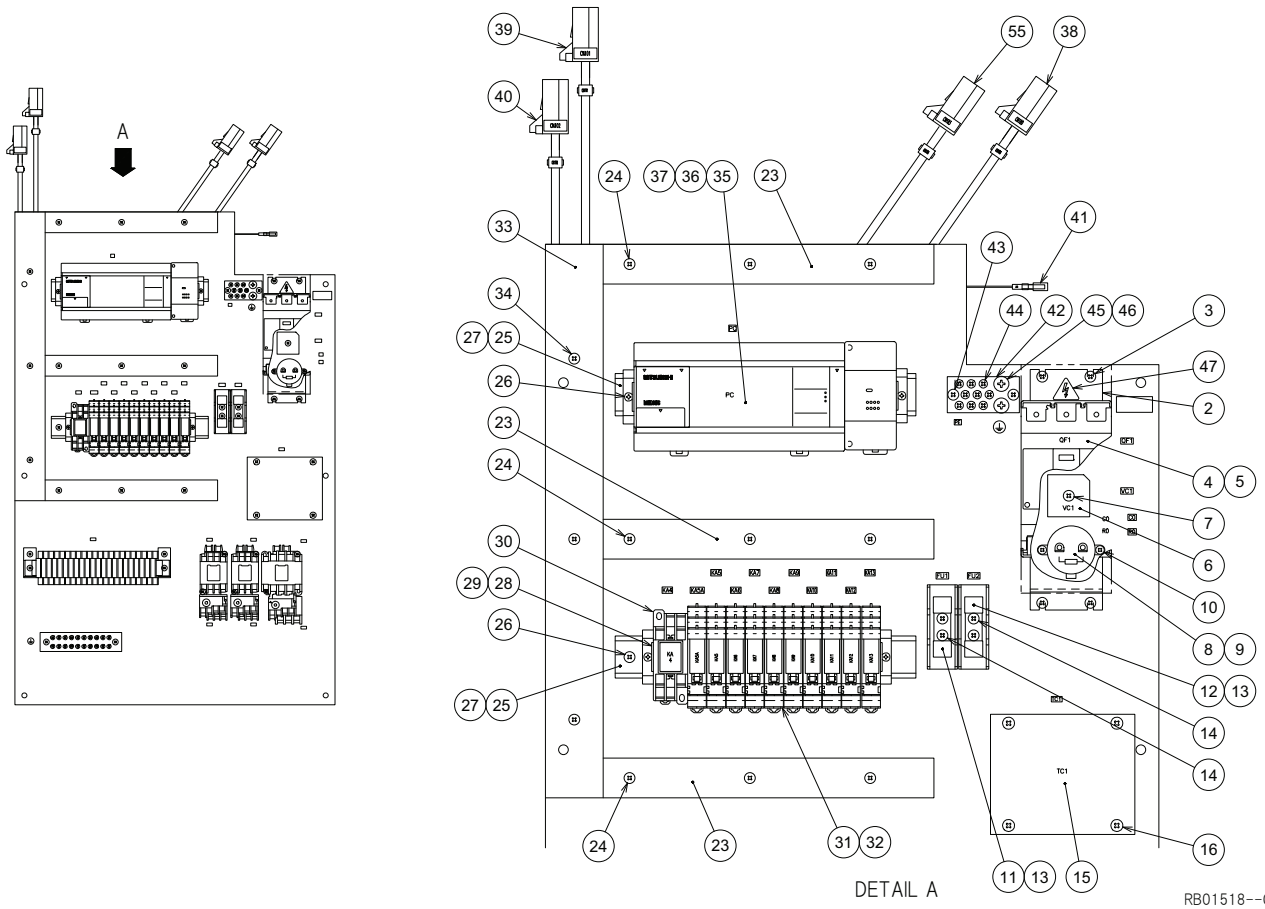
Unit No. 77
Electric AS(2)

Index	Code	Parts Name	Drawing No.	Type	Maker	Q'ty	Note
1	10300821	Control Box	RB00774--C			1	
2	10300822	Control Box Cover	RB00775--B			1	
3	10325830	Bolt	P330010005	M5X16	JIS	2	
4	10322215	Spring Washer	P336050004	5	JIS	2	
5	10323127	Washer	P336000059	5(Polished Round)	JIS	2	
6	10300824	Cover	RB00776--B			1	
7	10322224	Pan Head Screw	P334100039	M5X10	JIS	4	
8	10301070	Panel Arrangement	RB01518--C			1	
9	10325313	Pan Head Screw	P334100058	M6X16	JIS	6	
10	10300825	Control Panel	RB00778--C			1	
11	10372307	Truss Head Screw	P334130009	M5X12	JIS	6	
12	10301115	Bush for Cable	RB0160001-	D22		3	
13	10300830	Cable Retainer A	RB00779--B			1	
14	10300831	Cable Retainer B	RB00780--B			1	
15	10380944	Sems Pan Head Screw	P334200063	M6X16(Spring/Polished Round)	JIS	4	
16	10301119	CAPCON	RB0160006-	D34		1	
17	10301069	Charging Mark D	RB01517---	125MM		1	
18	10301068	Sticker (Ground)	RB01516---			1	
19	10301120	Grommet	RB0160007-	D18		1	

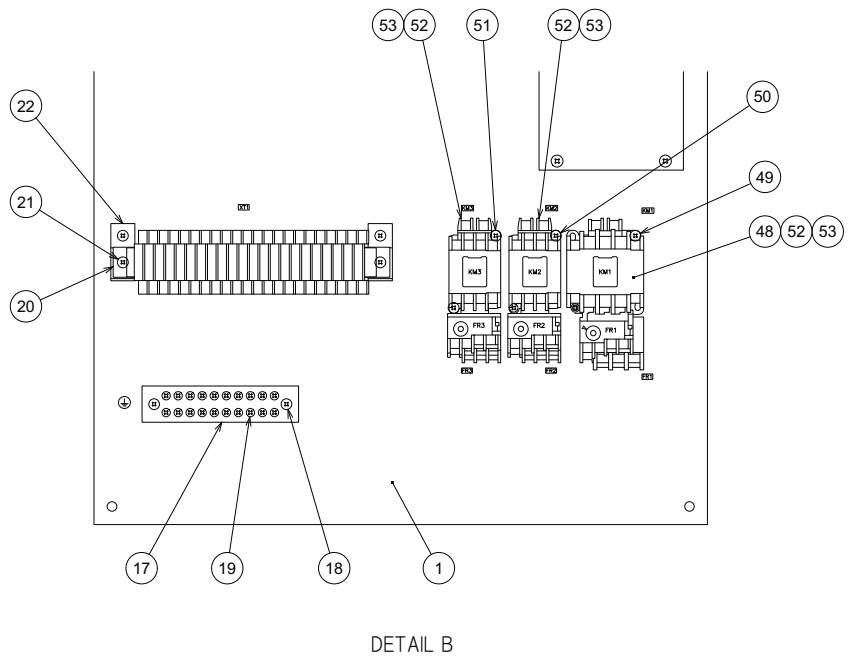
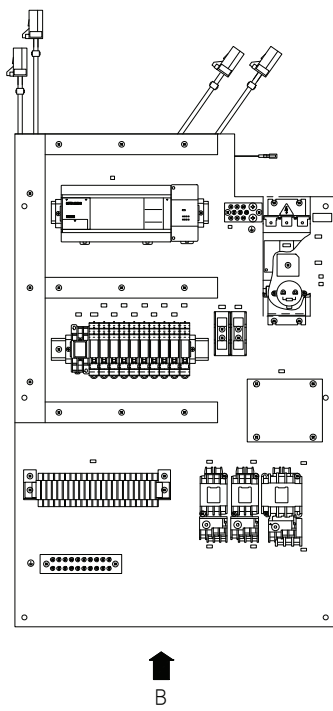
Unit No. 77
Electric AS(2)

Index	Code	Parts Name	Drawing No.	Type	Maker	Q'ty	Note
20	10321923	Washer	P336000006	8(Normal)	JIS	2	
21	10342325	Hex Socket Cap Screw	P330230004	M8X15		2	
22	10301121	Grommet	RB0160008-	W4XL250		1	
23	10322133	Truss Head Screw	P334130014	M6X20	JIS	2	
24	10589252	Sems Pan Head Screw	P334200013	M4X10(Spring/Polished Round)	JIS	2	

Unit No. 78
 Electric AS(3)-1/2 <Panel Arrangement>



Unit No. 78
 Electric AS(3)-2/2 <Panel Arrangement>



Unit No. 78
Electric AS(3)

Index	Code	Parts Name	Drawing No.	Type	Maker	Q'ty	Note
1	10300832	Control Panel	RB00781--C			1	
2	10300833	Breaker Bracket	RB00782--C			1	
3	10589252	Sems Pan Head Screw	P334200013	M4X10(Spring/Polished Round)	JIS	4	
4	10300194	Accessory (Low Voltage Breaker)	P812098064	F-05SV	MITSUBISHI	1	
5	10300195	Accessory (Low Voltage Breaker)	P812098065	TCL-05SV3	MITSUBISHI	1	
6	10300207	Rectifier	P840068014	KBPC35-10	SUMGLE	1	VC1
7	10589252	Sems Pan Head Screw	P334200013	M4X10(Spring/Polished Round)	JIS	1	
8	10300211	Aluminum Capacitor	P840108041	50V10000Micro Farad	HWAKAI	1	C0
9	10300212	Resistor	P841128056	RS2W(5.1 kOhm)	YCX	1	R0
10	10589250	Sems Pan Head Screw	P334200010	M3X10(Spring/Polished Round)	JIS	2	
11	10364540	Fuse	P842064018	FCF2-3	FUJI Electric	1	FU1
12	10380702	Fuse	P842064020	FCF2-10	FUJI Electric	1	FU2
13	10382471	Fuse Holder	P842202004	F-7140	SATO PARTS	2	
14	10380683	Sems Pan Head Screw	P334200034	M4X16(Spring/Polished Round)	JIS	4	
15	10300180	Transformer	P772008054	JBK5-400	JUCHE	1	TC1
16	10380975	Sems Pan Head Screw	P334200047	M5X12(Spring/Polished Round)	JIS	4	
17	10300834	Ground Bar	RB00783--A			1	
18	10380683	Sems Pan Head Screw	P334200034	M4X16(Spring/Polished Round)	JIS	2	
19	10380682	Sems Pan Head Screw	P334200032	M4X6(Spring/Polished Round)	JIS	20	

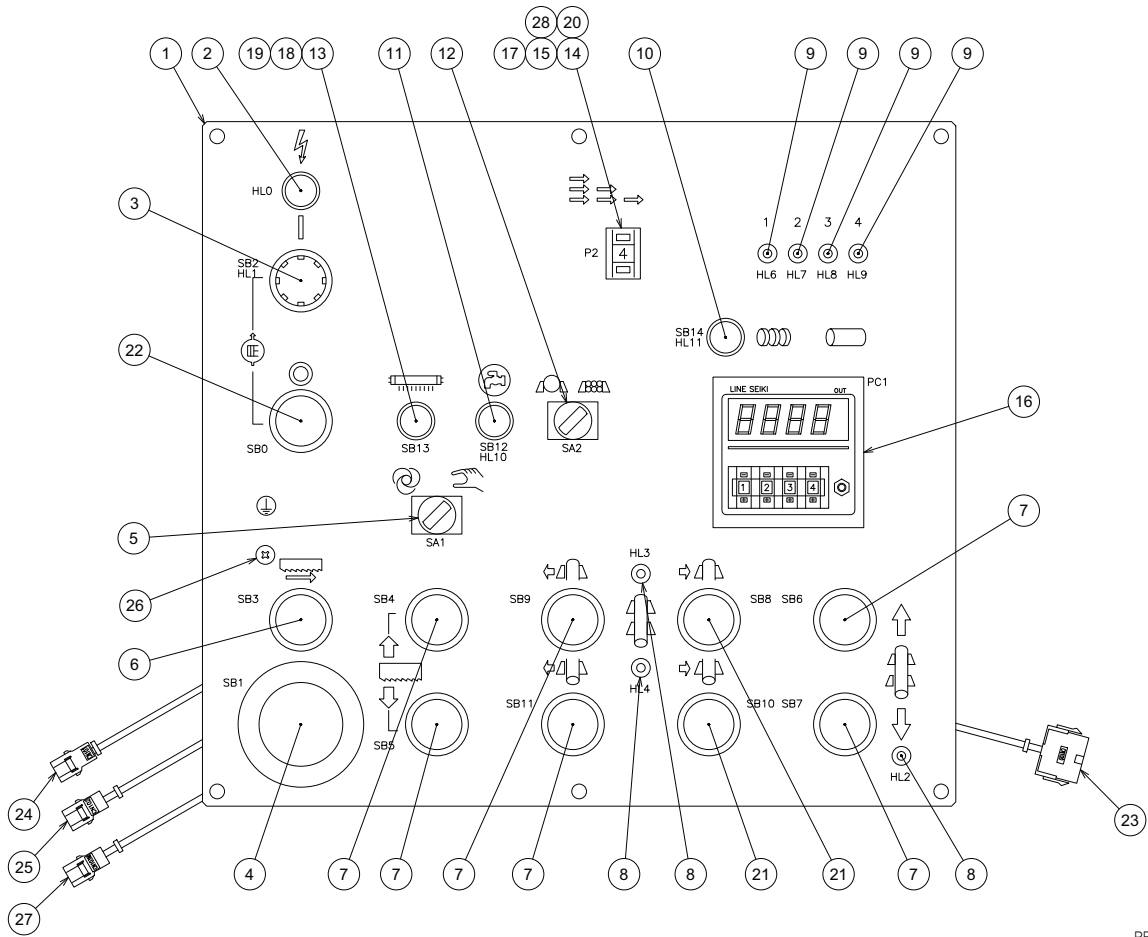
Unit No. 78
Electric AS(3)

Index	Code	Parts Name	Drawing No.	Type	Maker	Q'ty	Note
20	10301128	Terminal Block ASSY	RB0251501B			1	XT1
21	10380683	Sems Pan Head Screw	P334200034	M4X16(Spring/Polished Round)	JIS	4	
22	10301117	Tilting Attachment	RB0160003-	(Conform to) BP23-2S		2	
23	10300224	Duct for Wiring	P869509272	GW-33100(L=275)	GIANTLOK	3	
24	10589252	Sems Pan Head Screw	P334200013	M4X10(Spring/Polished Round)	JIS	9	
25	10300217	Terminal Base	P864038171	FH-1007(L=250)	FEHUA	2	
26	10589252	Sems Pan Head Screw	P334200013	M4X10(Spring/Polished Round)	JIS	6	
27	10337281	Terminal Parts	P864052008	BNL6	IDEC	4	
28	10300181	Control Relay	P800002091	MY2N-CR-AC100V	OMRON	1	KA4
29	10300215	Accessory for Connector	P862188020	PYF08A	OMRON	1	
30	10349515	Accessory for Connector	P862188011	PYC-A1	OMRON	1	
31	10589483	Control Relay	P800002075	G2R-1-SND-DC24V	OMRON	10	KA5A,KA5-13
32	10589484	Accessory for Control Relay	P800082015	P2RF-05-E	OMRON	10	
33	10300225	Duct for Wiring	P869509274	GW-48100(L=460)	OLEANDER	1	
34	10589252	Sems Pan Head Screw	P334200013	M4X10(Spring/Polished Round)	JIS	3	
35	10428836	Programmable Controller	P767406003	FX1N-60MR-ES/UL	MITSUBISHI	1	PC
36	10582249	Accessory (Program Controller)	P767486019	FX1N-EEPROM-8L	MITSUBISHI	1	
37	10300836	PLC Ladder	RB00785--A	HA252V12.2		1	
38	10301076	Cable CN100F	RB0154801A			1	CN100

Unit No. 78
Electric AS(3)

Index	Code	Parts Name	Drawing No.	Type	Maker	Q'ty	Note
39	10301077	Cable CN101F	RB0154802A			1	CN101
40	10301078	Cable CN102F	RB0154803A			1	CN102
41	10300214	Plug Type Terminal	P862148060	PC-2005F	NICHIFU	1	25
42	10300835	Ground Bar	RB00784--A			1	PE
43	10380683	Sems Pan Head Screw	P334200034	M4X16(Spring/Polished Round)	JIS	2	
44	10380682	Sems Pan Head Screw	P334200032	M4X6(Spring/Polished Round)	JIS	9	
45	10300140	Sems Pan Head Screw	P334200084	M6X8(Spring/Polished Round)	JIS	2	
46	10300143	Washer	P336000074	6(Polished Round)T=1.0	JIS	2	
47	10301123	Charging Mark	RB0160010-	20MM		1	
48	10385440	Accessory (Magnet Switch)	P810184018	SZ-A31	FUJI Electric	1	KM1,FR1
49	10380683	Sems Pan Head Screw	P334200034	M4X16(Spring/Polished Round)	JIS	2	
50	10380683	Sems Pan Head Screw	P334200034	M4X16(Spring/Polished Round)	JIS	2	
51	10380683	Sems Pan Head Screw	P334200034	M4X16(Spring/Polished Round)	JIS	2	
52	10301116	Spark Killer	RB0160002-	(Conform to) SKVB104120		3	
53	10300210	Varistor	P840078056	TUR20D112K	JOCOL	9	
54	10301079	Name Plate	RB0154804A			1	List Only/US(AC230V)/AS(AC460V)
55	10301080	Cable CN103F	RB0154805-			1	CN103

Unit No. 79
 Electric AS(4) <Control Panel>



RB00778--C

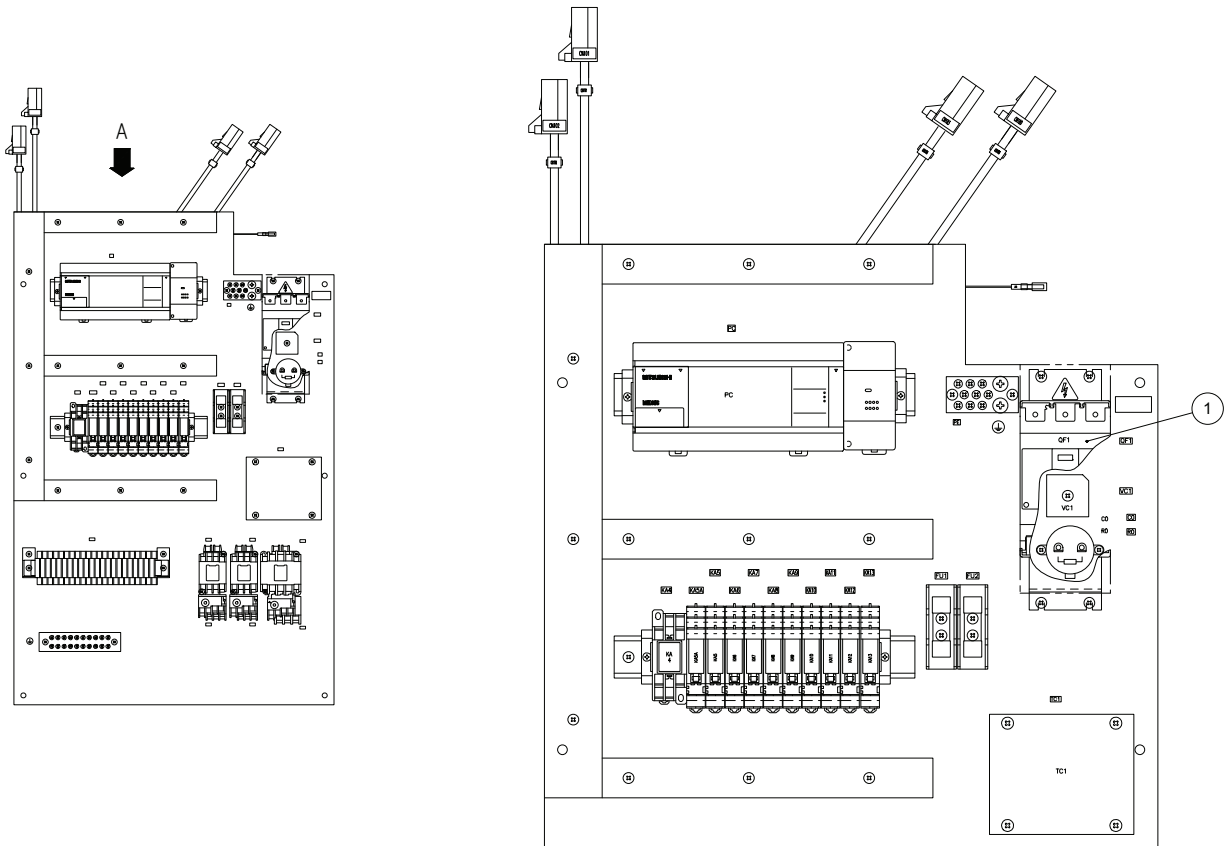
Unit No. 79
Electric AS(4)

Index	Code	Parts Name	Drawing No.	Type	Maker	Q'ty	Note
1	10300837	Name Plate	RB00786--C			1	
2	10300213	Indicator Apparatus	P843024023	AH165-ZWH3	FUJI Electric	1	HL0
3	10579339	Illuminated Pushbutton	P822084031	AR22F0L-10H3W	FUJI Electric	1	SB2,HL1
4	10300199	Push Button Switch	P821084115	AR22V0R-01R	FUJI Electric	1	SB1
5	10337159	Key Select Switch	P820004027	AH165-P2B11	FUJI Electric	1	SA1
6	10579341	Push Button Switch	P821084154	AR22G2R-20W	FUJI Electric	1	SB3
7	10589510	Push Button Switch	P821084080	AR22F0R-10W	FUJI Electric	6	SB4-SB7,SB9,SB11
8	10583452	Indicator Apparatus	P843188016	DB24-89WUS	MARUYASU DENGYO	3	HL2,HL3,HL4
9	10583452	Indicator Apparatus	P843188016	DB24-89WUS	MARUYASU DENGYO	4	HL6-HL9
10	10300204	Illuminated Pushbutton	P822064076	AH165-L5W11E3	FUJI Electric	1	SB14,HL11
11	10300205	Illuminated Pushbutton	P822064077	AH165-L5W11H3	FUJI Electric	1	SB12,HL10
12	10337159	Key Select Switch	P820004027	AH165-P2B11	FUJI Electric	1	SA2
13	10337521	Push Button Switch	P821064009	AH165-E5W22	FUJI Electric	1	SB13
14	10380727	Key Select Switch	P820022002	A7BS-206-S-1	OMRON	1	P2
15	10380728	Accessory for Rotary Switch	P820082002	A7B-C(Connector)	OMRON	1	
16	10300103	Electronic Counter	7720235---	MD-144M-509	LINE SEIKI	1	PC1
17	10380870	Accessory for Rotary Switch	P820082001	A7B-M-1(Setting Plate)	OMRON	1	
18	10300208	Varistor	P840078053	TUR20D271K	JOCOL	1	
19	10301116	Spark Killer	RB0160002-	(Conform to) SKVB104120		1	

Unit No. 79
Electric AS(4)

Index	Code	Parts Name	Drawing No.	Type	Maker	Q'ty	Note
20	10300838	Counter Cover	RB00787---			1	
21	10300200	Push Button Switch	P821084195	AR22G2R-10W	FUJI Electric	2	SB8,SB10
22	10300198	Push Button Switch	P821084081	AR22F0R-01B	FUJI Electric	1	SB0
23	10300826	Cable CN100M	RB0077801A			1	CN100
24	10300827	Cable CN101M	RB0077802A			1	
25	10300828	Cable CN102M	RB0077803A			1	
26	10589252	Sems Pan Head Screw	P334200013	M4X10(Spring/Polished Round)	JIS	1	
27	10300829	Cable CN103M	RB0077804-			1	
28	10300150	Cable Band	P381058169	AB100	Tyton	2	

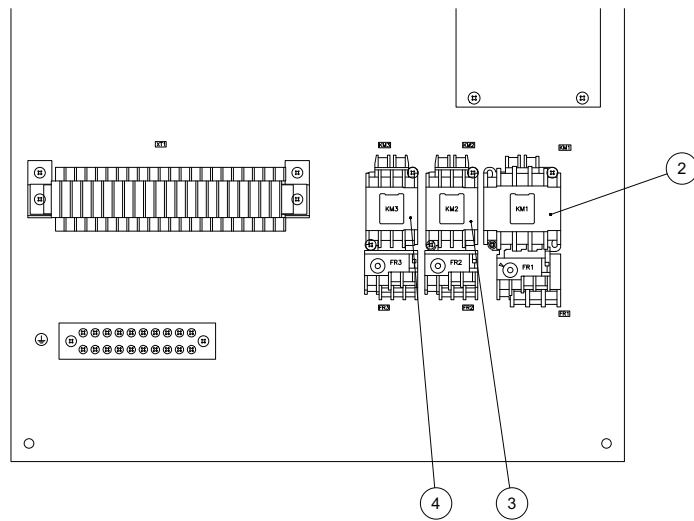
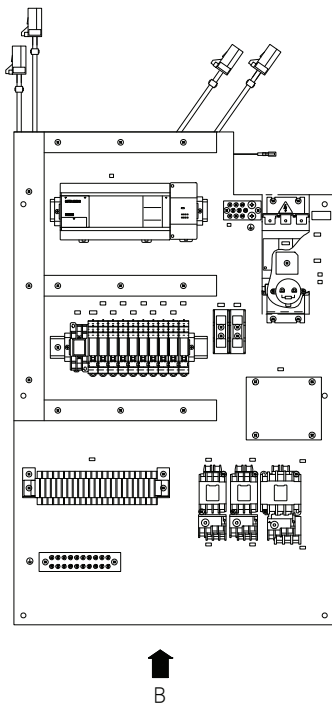
Unit No. 80
 Electric AS(5)-1/2 <AS Specification Component>



DETAIL A

RB01514---
 (RB01518--C)

Unit No. 80
 Electric AS(5)-2/2 <AS Specification Component>



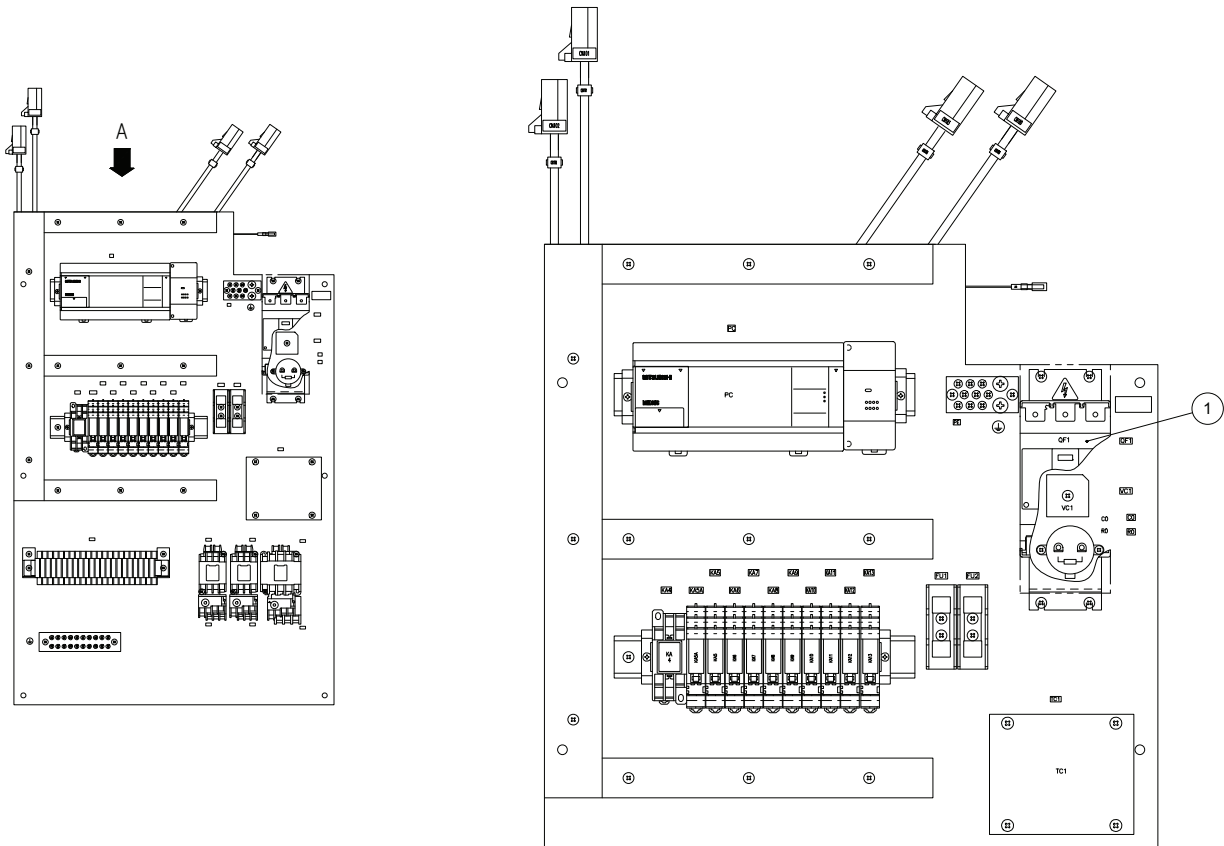
DETAIL B

RB01514---
 (RB01518--C)

Unit No. 80
Electric AS(5)

Index	Code	Parts Name	Drawing No.	Type	Maker	Q'ty	Note
1	10300190	Low Voltage Breaker	P812008033	NF32-SV-3P-15A	MITSUBISHI	1	QF1
2	10579539	Magnet Switch	P810044153	SW-5-1/3H(4A)AC100V	FUJI Electric	1	KM1,FR1
3	10579527	Magnet Switch	P810044140	SW-05/3H(1.4A)AC100V-2A	FUJI Electric	1	KM2,FR2
4	10300186	Magnet Switch	P810044298	SW-0/3H(0.3A)AC100V	FUJI Electric	1	KM3,FR3

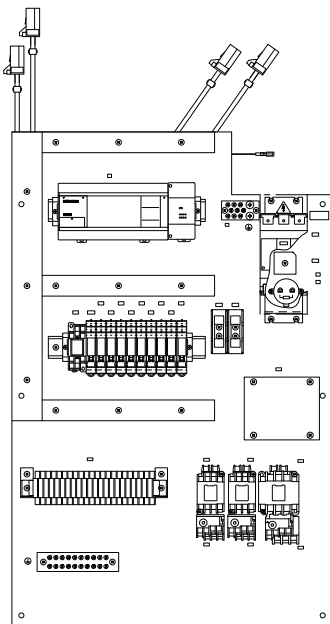
Unit No. 81
 Electric AS(6)-1/2 <AS Specification Component(HA250W)>



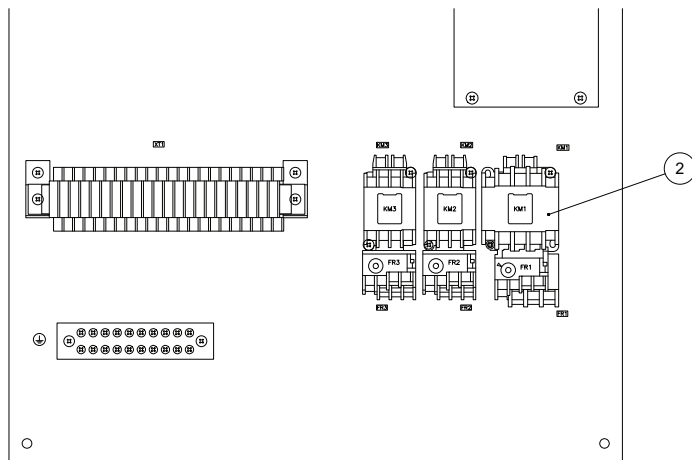
DETAIL A

RB01583---
 (RB01518--C)

Unit No. 81
 Electric AS(6)-2/2 <AS Specification Component(HA250W)>



↑
B



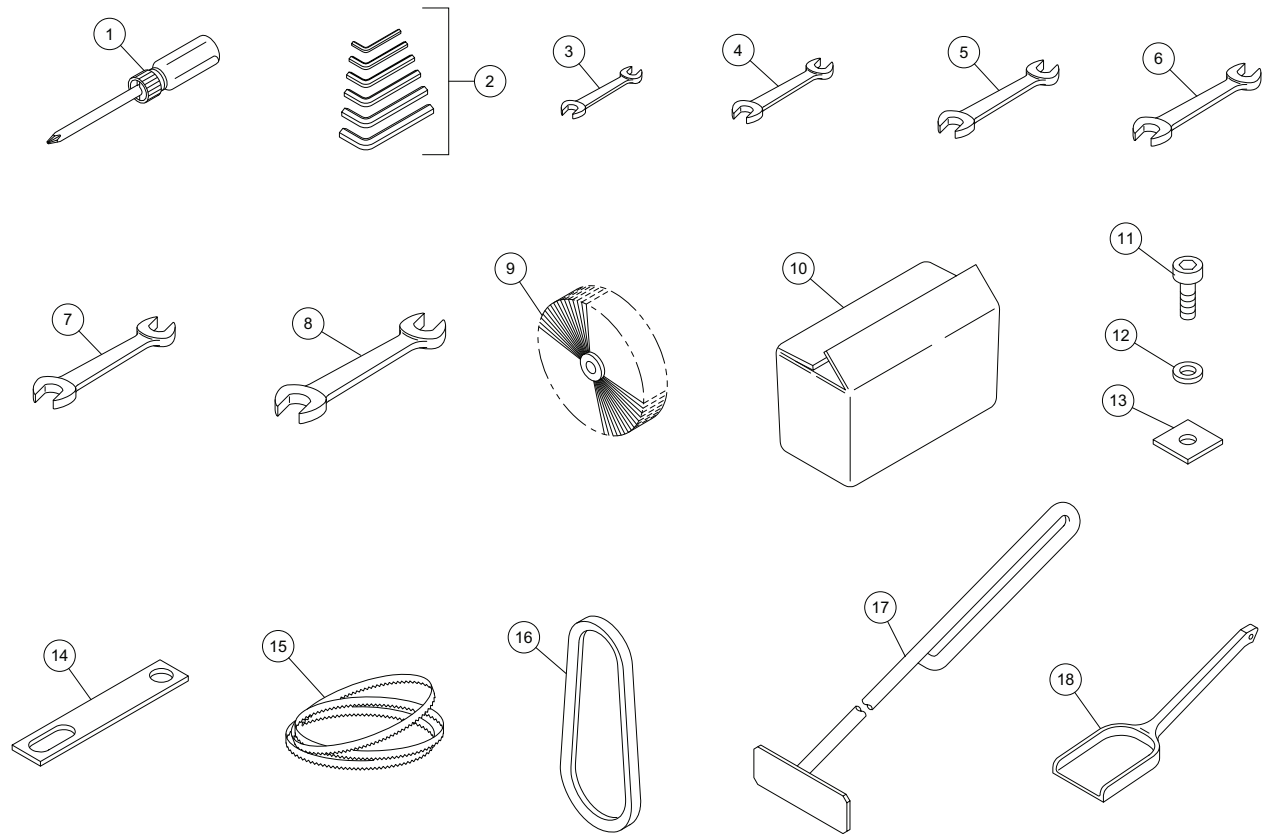
DETAIL B

RB01583---
 (RB01518--C)

Unit No. 81
Electric AS(6)

Index	Code	Parts Name	Drawing No.	Type	Maker	Q'ty	Note
1	10300189	Low Voltage Breaker	P812008030	NF32-SV-3P-20A	MITSUBISHI	1	QF1
2	10579538	Magnet Switch	P810044152	SW-5-1/3H(7A)AC100V	FUJI Electric	1	KM1,FR1
3	10579527	Magnet Switch	P810044140	SW-05/3H(1.4A)AC100V-2A	FUJI Electric	1	List Only
4	10300186	Magnet Switch	P810044298	SW-0/3H(0.3A)AC100V	FUJI Electric	1	List Only

Unit No. 82
Standard Accessory(1) <DOM>



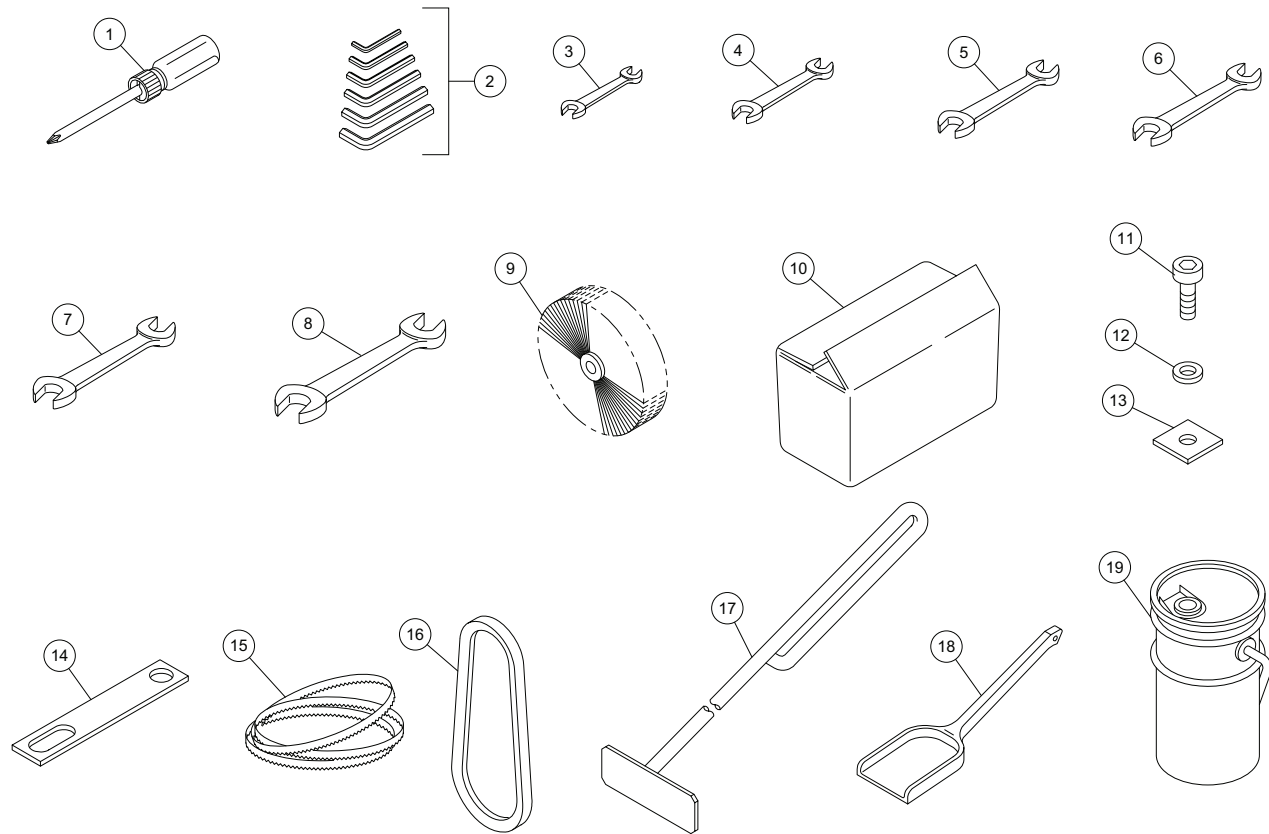
RB00827---

Unit No. 82

Standard Accessory(1)

Index	Code	Parts Name	Drawing No.	Type	Maker	Q'ty	Note
1	10485310	Screwdriver	P353000004	H2(Normal)	JIS	1	
2	10382540	Bar Wrench Set	P351040001	2.5-3-4-5-6-8		1	
3	10300145	Wrench	P351010017	10X12		1	
4	10300147	Wrench	P351010036	13X16		1	
5	10300146	Wrench	P351010035	14X17		1	
6	10366511	Wrench	P351010011	17X19		1	
7	10300148	Wrench	P351010037	18X21		1	
8	10366512	Wrench	P351010012	22X24		1	
9	10300687	Wire Brush	RB00609---			2	
10	10383300	Corrugated Cardboard Box	P370600003	305X210X615		1	
11	10329416	Hex Socket Cap Screw	P330250003	M12X20		2	
12	10322907	Washer	P336000008	12(Normal)	JIS	2	
13	10301127	Fiber	RB02202---	(32X32XT1,KPT603)		2	
14	10300839	Shipping Bracket	RB00823---			1	
15	10300179	Band Saw Blade	P632204056	SGLB-27-0.9-3505-3/4P	AMADA	1	
16	10314205	V-belt	P223000011	M37		1	
17	10300840	Chip Remover	RB00824---			1	
18	10300841	Chip Shovel	RB00825---			1	

Unit No. 83
Standard Accessory(2) <US,EU,AS>



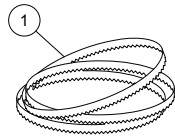
RB00828---

Unit No. 83

Standard Accessory(2)

Index	Code	Parts Name	Drawing No.	Type	Maker	Q'ty	Note
1	10485310	Screwdriver	P353000004	H2(Normal)	JIS	1	
2	10382540	Bar Wrench Set	P351040001	2.5-3-4-5-6-8		1	
3	10300145	Wrench	P351010017	10X12		1	
4	10300147	Wrench	P351010036	13X16		1	
5	10300146	Wrench	P351010035	14X17		1	
6	10366511	Wrench	P351010011	17X19		1	
7	10300148	Wrench	P351010037	18X21		1	
8	10366512	Wrench	P351010012	22X24		1	
9	10300687	Wire Brush	RB00609---			2	
10	10383300	Corrugated Cardboard Box	P370600003	305X210X615		1	
11	10301127	Fiber	RB02202---	(32X32XT1,KPT603)		2	
12	10329416	Hex Socket Cap Screw	P330250003	M12X20		2	
13	10322907	Washer	P336000008	12(Normal)	JIS	2	
14	10300839	Shipping Bracket	RB00823---			1	
15	10300179	Band Saw Blade	P632204056	SGLB-27-0.9-3505-3/4P	AMADA	1	
16	10314205	V-belt	P223000011	M37		1	
17	10300840	Chip Remover	RB00824---			1	
18	10300841	Chip Shovel	RB00825---			1	
19	10419380	Hydraulic Oil	P238000010	ISO-VG32-40L	AMADA	1	

Unit No. 84
Standard Accessory(3) <HA250W>



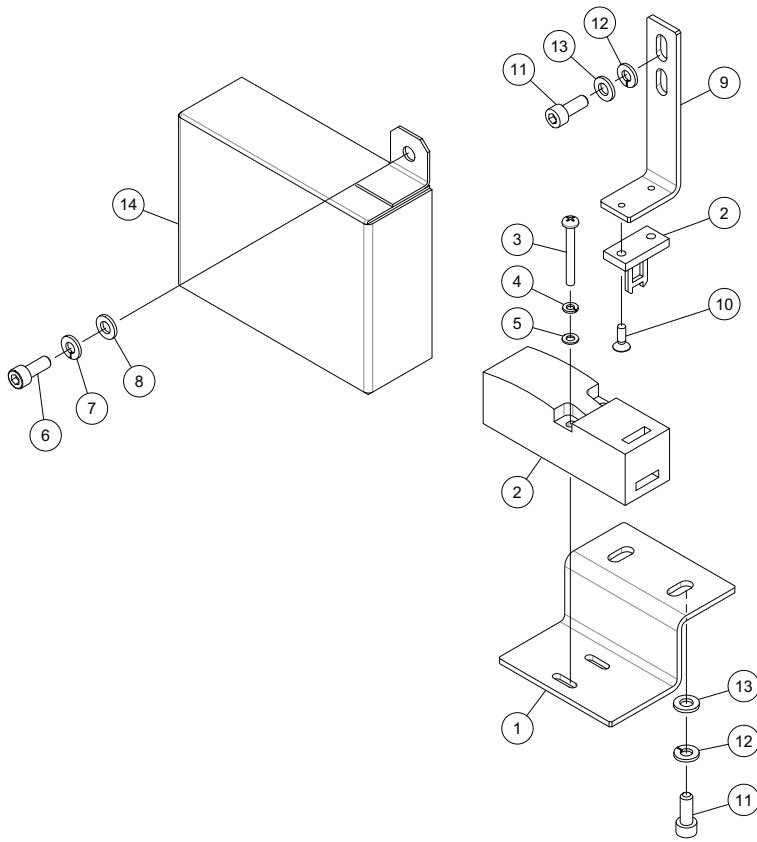
P632204055

Unit No. 84

Standard Accessory(3)

Index	Code	Parts Name	Drawing No.	Type	Maker	Q'ty	Note
1	10300178	Band Saw Blade	P632204055	SGLB-34-1.1-3505-3/4P	AMADA	1	

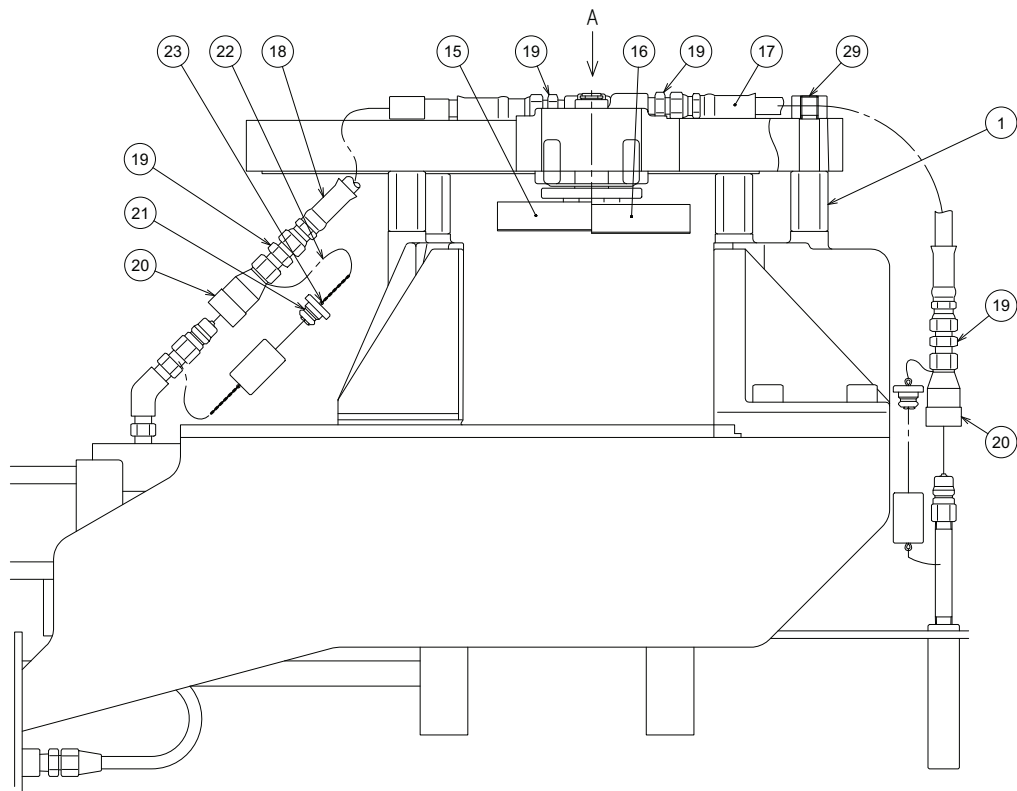
Unit No. 85
Cover Open LS



Unit No. 85
Cover Open LS

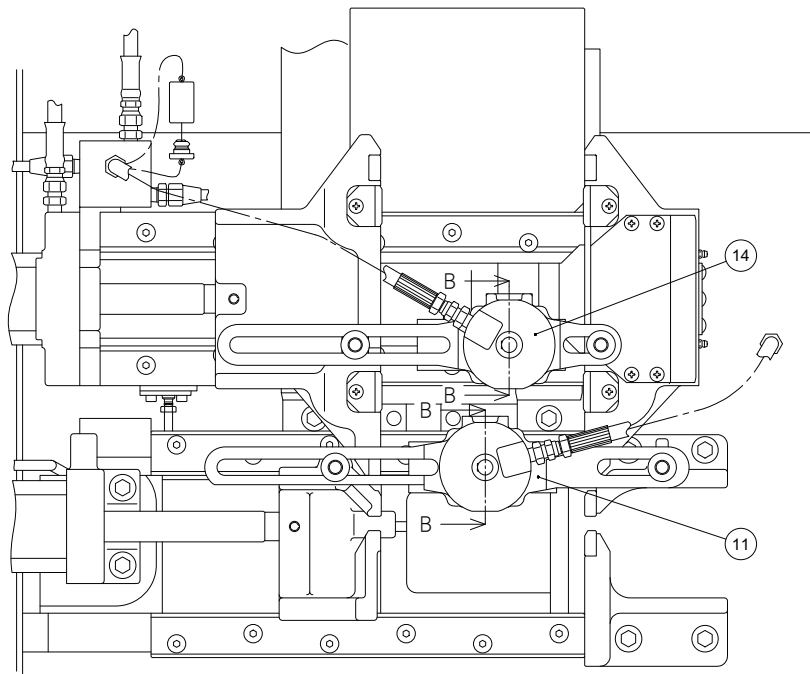
Index	Code	Parts Name	Drawing No.	Type	Maker	Q'ty	Note
1	10300907	Bracket 1	RB00941---			1	
2	10300206	Limit Switch	P828008008	LS-11-ZB	MURA Electric	1	
3	10328314	Pan Head Screw	P334100027	M4X35	JIS	2	
4	10318527	Spring Washer	P336050003	4	JIS	2	
5	10337110	Washer	P336000003	4(Small Round)	JIS	2	
6	10323204	Hex Socket Cap Screw	P330220007	M6X16	JIS	2	
7	10310351	Spring Washer	P336050005	6	JIS	2	
8	10321922	Washer	P336000005	6(Normal)	JIS	2	
9	10300908	Bracket 2	RB00942---			1	
10	10300139	Flat Head Screw	P334110009	M4X12	JIS	2	
11	10323204	Hex Socket Cap Screw	P330220007	M6X16	JIS	4	
12	10310351	Spring Washer	P336050005	6	JIS	4	
13	10321922	Washer	P336000005	6(Normal)	JIS	4	
14	10300909	LS Cover	RB00943---			1	

Unit No. 86
Multi-vise-1/2

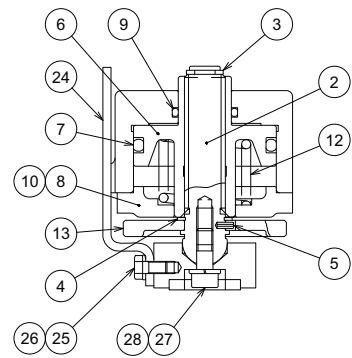


RB00900--A

Unit No. 86
Multi-vise-2/2



VIEW A



SECTION B-B

Unit No. 86

Multi-vise

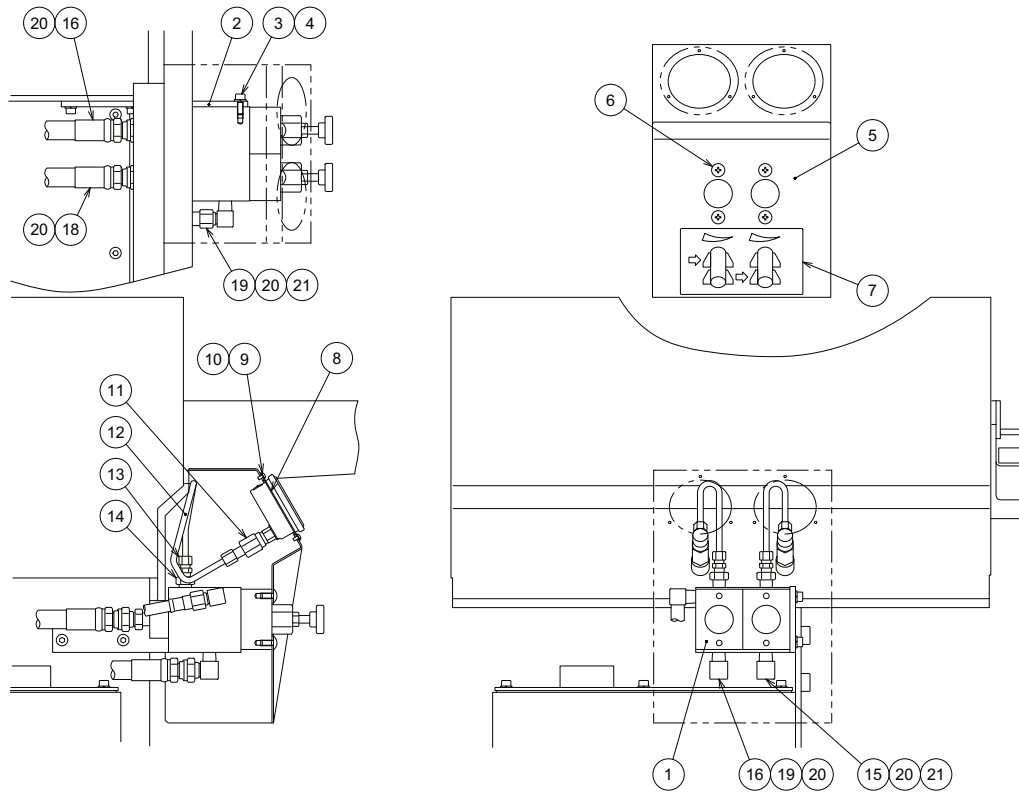
Index	Code	Parts Name	Drawing No.	Type	Maker	Q'ty	Note
1	10300884	Stand	RB00901---			4	
2	10300885	Screw Rod	RB00902---			1	
3	10382616	Locating Snap Ring	P406100007	E-9	JIS	2	
4	10001102	Locating Snap Ring	P406108043	STW-20	OCHIAI	2	
5	10361502	Spring Pin	P337030010	3X8AW	JIS	2	
6	10300886	Piston	RB00903--A			2	
7	10001120	O Ring	P590000056	P60		2	
8	10300887	Cylinder Cap	RB00904---			2	
9	10001121	O Ring	P590000026	P26		2	
10	10323201	Hex Socket Cap Screw	P330220004	M6X12	JIS	8	
11	10300888	Body Front	RB00905---			1	
12	10300889	Spring	RB00906---			2	
13	10300890	Handle	RB00907---			2	
14	10300891	Body Rear	RB00908---			1	
15	10300892	Clamper Front	RB00909---			1	
16	10300893	Clamper Rear	RB00910---			1	
17	10300582	Hydraulic Hose	RB00530---	L=450(1/4)		1	
18	10300894	Hydraulic Hose	RB00911---	L=730(1/4)		1	
19	10300596	Male-Male Adapter	RB0054011A	PT1/4-PF1/4		4	

Unit No. 86

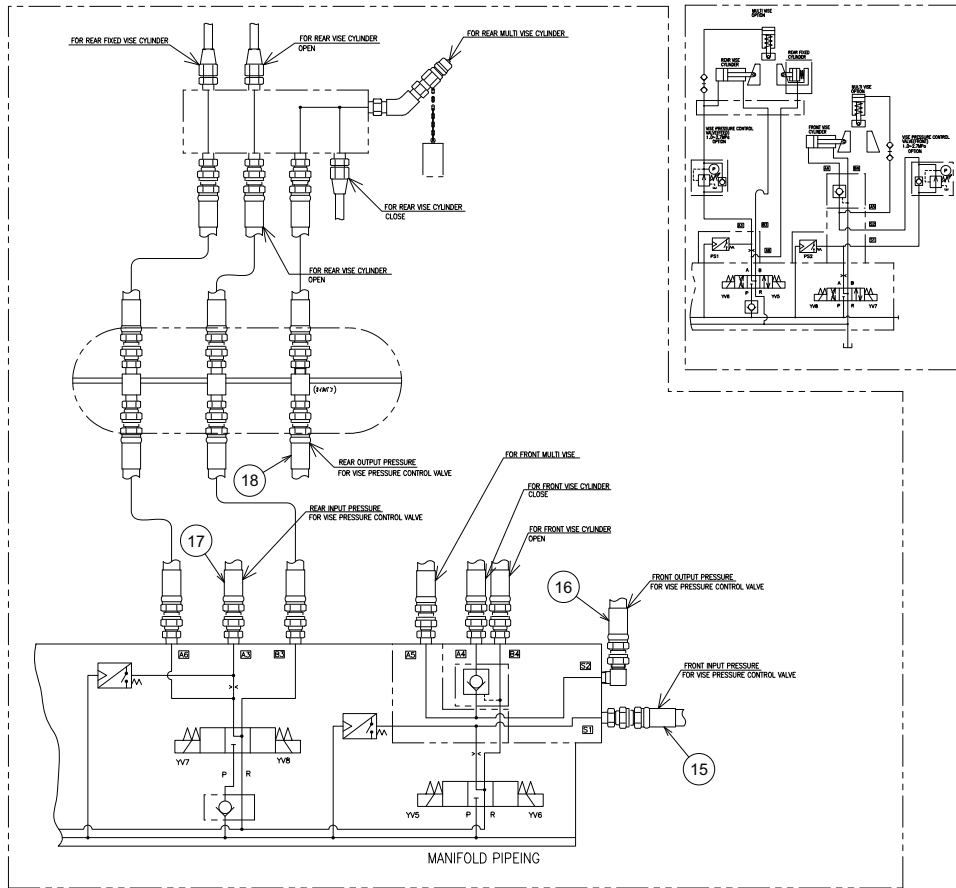
Multi-vise

Index	Code	Parts Name	Drawing No.	Type	Maker	Q'ty	Note
20	10589430	Quick Connect Joint	P589026081	2S-BSBM	NITTO KOHKI	2	
21	10300895	Rubber Plug	RB00912---			2	
22	10300613	Chain	RB0054035-	L=150		2	
23	10329430	Split Pin	P337000034	3.2X22(Mild Steel)	JIS	2	
24	10300896	Guide	RB00913---			2	
25	10325407	Bolt	P330020003	M6X12	JIS	4	
26	10310351	Spring Washer	P336050005	6	JIS	4	
27	10300897	Bolt	RB00914---			2	
28	10001521	Spring Washer	P336050006	8	JIS	2	
29	10300898	Domed Cap Nut	RB00915---			4	

Unit No. 87
 Vise Pressure Control Valve(1)-1/2



Unit No. 87
 Vise Pressure Control Valve(1)-2/2



RB00950---

Unit No. 87

Vise Pressure Control Valve(1)

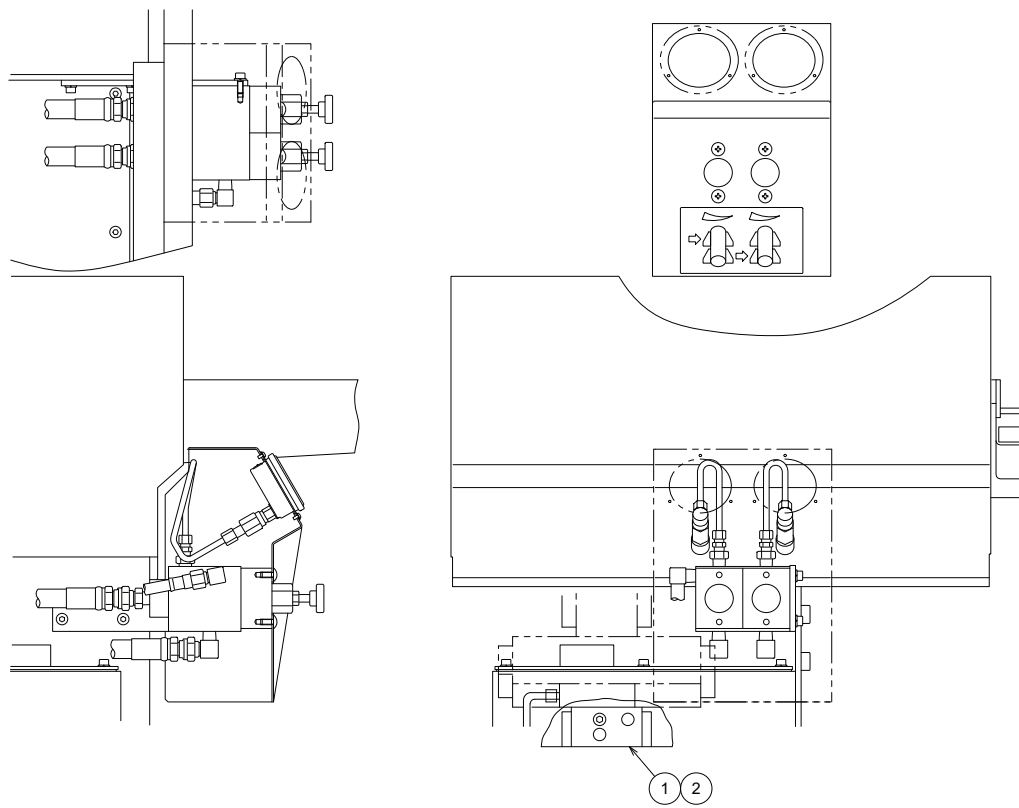
Index	Code	Parts Name	Drawing No.	Type	Maker	Q'ty	Note
1	10300911	Vise Pressure Control Valve	RB00951---			1	
2	10300912	Vise Pressure Control Valve Bracket	RB00952---			1	
3	10323204	Hex Socket Cap Screw	P330220007	M6X16	JIS	4	
4	10310351	Spring Washer	P336050005	6	JIS	4	
5	10300913	Vise Pressure Control Valve Cover	RB00953---			1	
6	10340019	Truss Head Screw	P334130012	M6X12	JIS	4	
7	10300914	Name Plate	RB00954---			1	
8	10300915	Pressure Gauge	RB00955---	M14X1.5-60X6MPA		2	
9	10328312	Pan Head Screw	P334100003	M3X6	JIS	6	
10	10338205	Spring Washer	P336050002	3	JIS	6	
11	10583471	Bite Type Pipe Fitting	P585042016	KGA06-020E	IHARA Science	2	
12	10382602	Copper Pipe	P120000067	6X1X150		2	
13	10300172	Bite Type Pipe Fitting	P585032067	KCT06-010E	IHARA Science	4	
14	10382604	Socket for Piping	P580000019	1/4X1/8	JIS	4	
15	10300917	Hydraulic Hose	RB00959---	L=900		1	Primary Pressure (Machine Body)
16	10300918	Hydraulic Hose	RB00960---	L=1100		1	Secondary Pressure (Machine Body)
17	10300919	Hydraulic Hose	RB00961---	L=580		1	Primary Pressure (Feed)
18	10300920	Hydraulic Hose	RB00962---	L=700		1	Secondary Pressure (Feed)
19	10300917	Hydraulic Hose	RB00959---	L=900		1	

Unit No. 87

Vise Pressure Control Valve(1)

Index	Code	Parts Name	Drawing No.	Type	Maker	Q'ty	Note
20	10300596	Male-Male Adapter	RB0054011A	PT1/4-PF1/4		6	
21	10300603	Elbow	RB0054021A	PT1/4-PF1/4		4	

Unit No. 88
Vise Pressure Control Valve(2) <Hydraulic Unit>

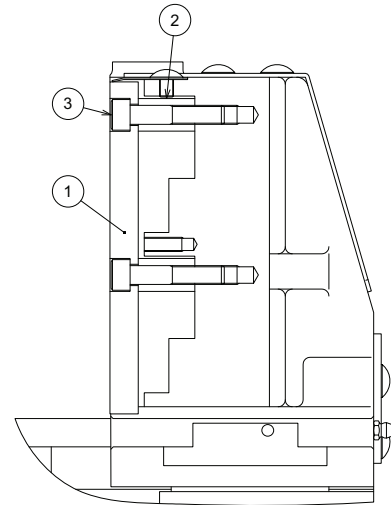
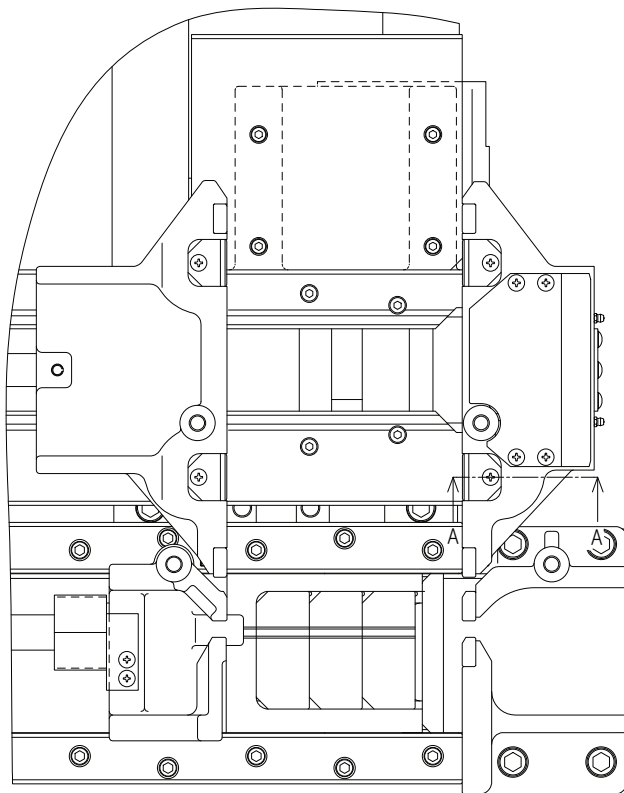


Unit No. 88

Vise Pressure Control Valve(2)

Index	Code	Parts Name	Drawing No.	Type	Maker	Q'ty	Note
1	10300916	Vise Pressure Control Valve Sub Plate	RB00958--A			1	
2	10372068	Hex Socket Cap Screw	P330210021	M5X130	MOURI	4	

Unit No. 89
Vise Pressure Control Valve(3) <Plugging Plate>



SECTION A-A

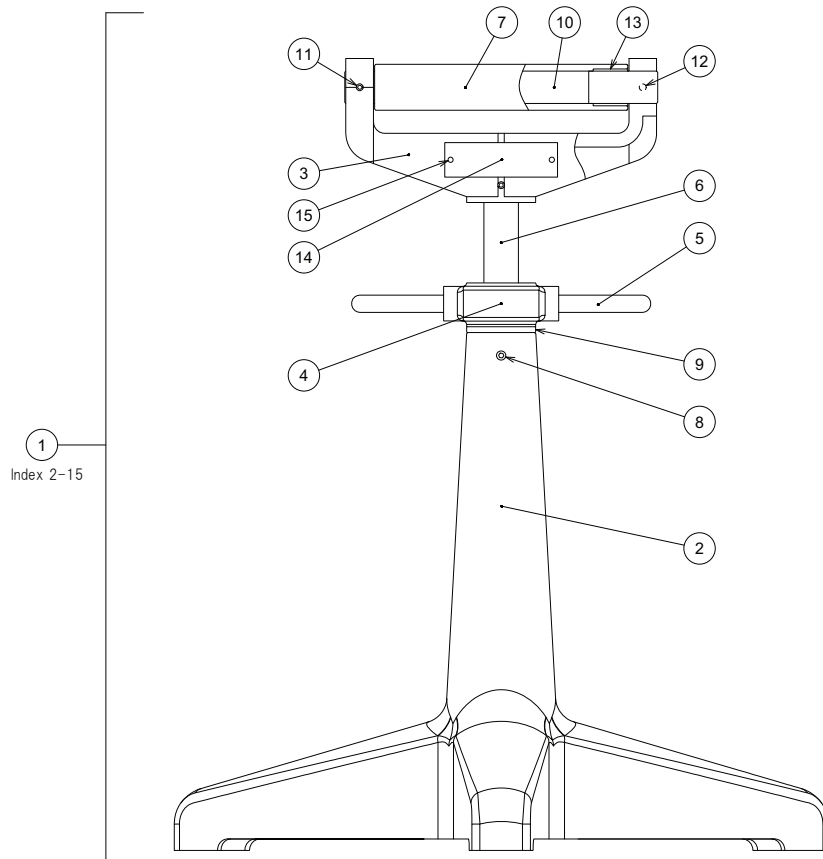
RB00970---

Unit No. 89

Vise Pressure Control Valve(3)

Index	Code	Parts Name	Drawing No.	Type	Maker	Q'ty	Note
1	10300923	Plate	RB00971--A			4	
2	10300924	Collar	RB00972---			8	
3	10323207	Hex Socket Cap Screw	P330230010	M8X40		8	

Unit No. 90
Roller Stand

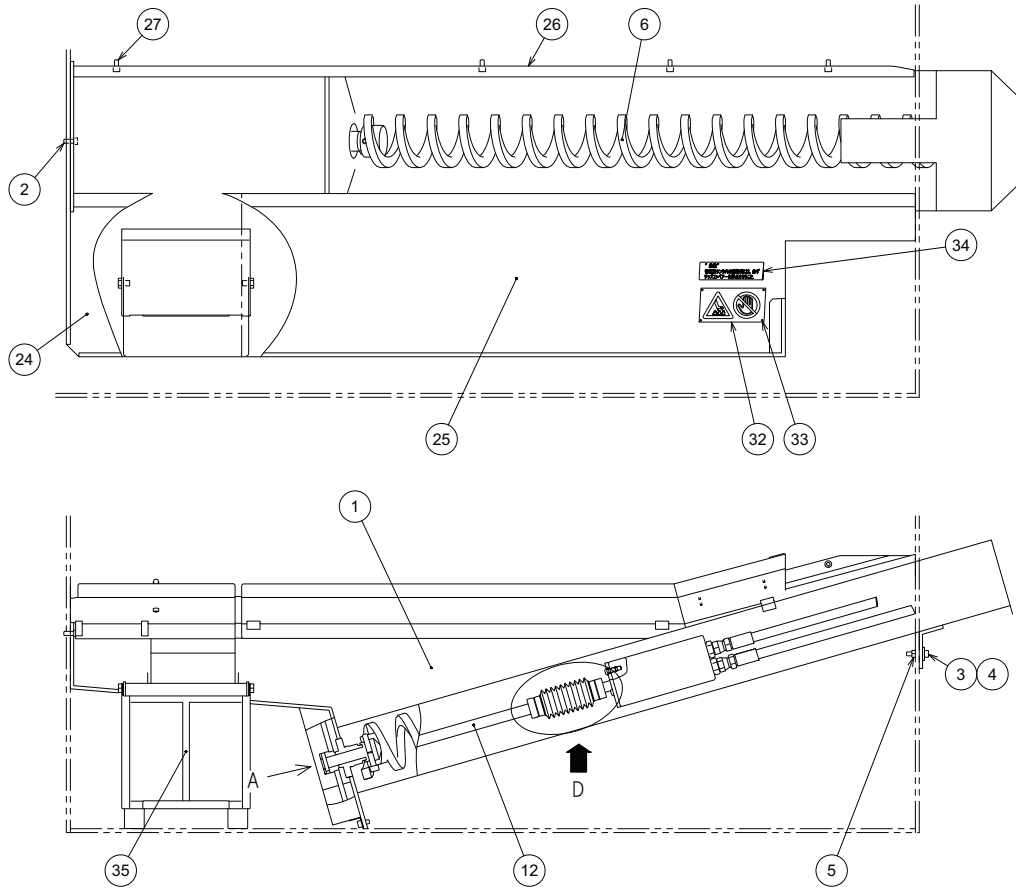


RB00840--A

Unit No. 90
Roller Stand

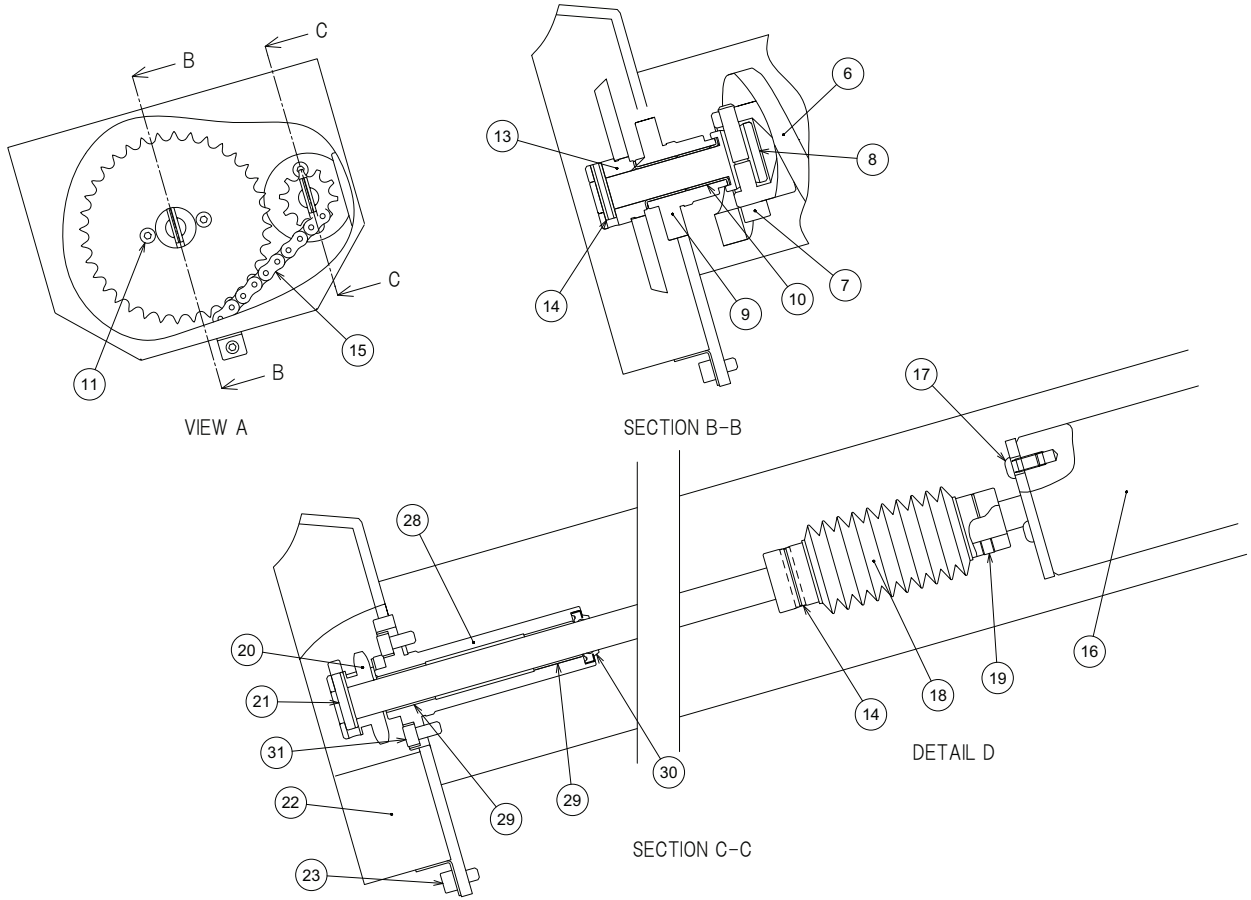
Index	Code	Parts Name	Drawing No.	Type	Maker	Q'ty	Note
1	10302090	Roller Stand ASSY	SBS0123---	RB00841---, RB00842---, RB00844--- others		1	with Index 2-15
2	10300849	Stand	RB00841---			1	
3	10300850	Fork	RB00842---			1	
4	10300851	Lifting Nut	RB00843--A			1	
5	10300852	Bar Handle	RB00844---			2	
6	10300853	Lifting Screw	RB00845---			1	
7	10300854	Roller	RB00846---			1	
8	10383374	Socket Set Screw	P330570026	M8X20(Dog-end)	JIS	1	
9	10300855	Collar	RB00847---			1	
10	10300856	Shaft	RB00848---			1	
11	10338126	Spring Pin	P337030069	6X50AW	JIS	1	
12	10334628	Spring Pin	P337030071	6X60AW	JIS	1	
13	10300162	Plain Bearing	P407003174	DUB2830	DAIDO METAL	2	
14	10300857	Caution Plate	RB00849---			1	
15	10375027	Drive Screw	P339100002	NO.2X4.8	Tokyo Byora	2	

Unit No. 91
Chip Conveyor(1)-1/2



RB00850--C

Unit No. 91
Chip Conveyor(1)-2/2



RB00850--C

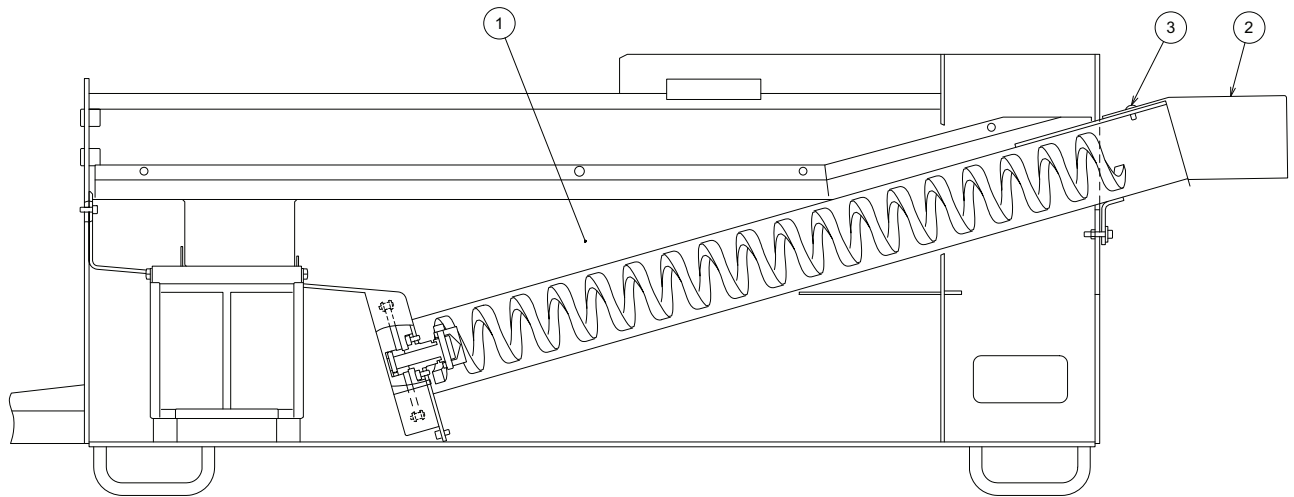
Unit No. 91
Chip Conveyor(1)

Index	Code	Parts Name	Drawing No.	Type	Maker	Q'ty	Note
1	10300859	Spiral Case	RB00851---			1	
2	10380788	Hex Socket Cap Screw	P330220027	M6X16-A2-70-SUS304	MOURI	1	
3	10300860	Washer	RB00852---			2	
4	10325418	Hex Socket Cap Screw	P330220012	M6X30		2	
5	10589225	Nut	P332000004	M6	JIS	2	
6	10300861	Spiral Shaft	RB00853--A			1	
7	10384140	Hex Socket Cap Screw	P330230037	M8X50-A2-70-SUS304	MOURI	1	
8	10300862	Shaft A	RB00854---			1	
9	10300863	Shaft Support A	RB00855---			1	
10	10580633	Bushing	P407013048	DUF1620-24	DAIDO METAL	2	
11	10375811	Hex Socket Cap Screw	P330220028	M6X12-A2-70-SUS304	MOURI	2	
12	10300864	Shaft B	RB00856---			1	
13	10300865	Sprocket A	RB00857--A			1	
14	10328305	Spring Pin	P337030062	6X28AW	JIS	2	
15	10331135	Chain	P410122052	RS40SL-42L(JL)	TSUBAKIMOTO CHAIN	1	
16	10331059	Hydraulic Motor	P541008001	OMM32-151G0003	DANFOSS	1	
17	10328359	Button Head Screw	P334500014	M6X12	JIS	3	
18	10300866	Universal Joint D16 L	RB00858--A	WL16-B		1	
19	10322120	Socket Set Screw	P330590018	M6X8(Dimple Type)	JIS	1	

Unit No. 91
Chip Conveyor(1)

Index	Code	Parts Name	Drawing No.	Type	Maker	Q'ty	Note
20	10300867	Sprocket B	RB00859---			1	
21	10328305	Spring Pin	P337030062	6X28AW	JIS	1	
22	10300868	Chain Cover	RB00860---			1	
23	10375811	Hex Socket Cap Screw	P330220028	M6X12-A2-70-SUS304	MOURI	1	
24	10300869	Chute 1	RB00861---			1	
25	10300870	Chute 2	RB00862--A			1	
26	10300871	Chute 3	RB00863---			1	
27	10323201	Hex Socket Cap Screw	P330220004	M6X12	JIS	4	
28	10300872	Shaft Support B	RB00864--A			1	
29	10580636	Bushing	P407003161	DUB1625	DAIDO METAL	2	
30	10331236	Wiper Ring	P590313002	SCB-16	SAKAGAMI	1	
31	10375811	Hex Socket Cap Screw	P330220028	M6X12-A2-70-SUS304	MOURI	2	
32	10301134	Warning Plate	RB0376641-			1	
33	10345260	Blind Rivet	P339208002	NSA3-2	LOBTEX	4	
34	10300875	Sticker	RB00869--A			1	
35	10300879	Chip Box ASSY	RB00880---			1	

Unit No. 92
Chip Conveyor(2) <EU Specification Machine>

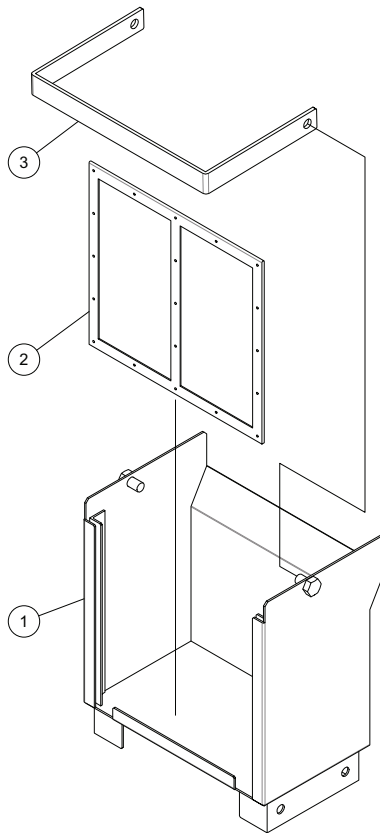


RB01270---

Unit No. 92
Chip Conveyor(2)

Index	Code	Parts Name	Drawing No.	Type	Maker	Q'ty	Note
1	10301050	Spiral Case Cover	RB01271--A			1	
2	10301051	Cover	RB01272--A			1	
3	10330104	Truss Head Screw	P334130013	M6X15	SANKO Industry	2	

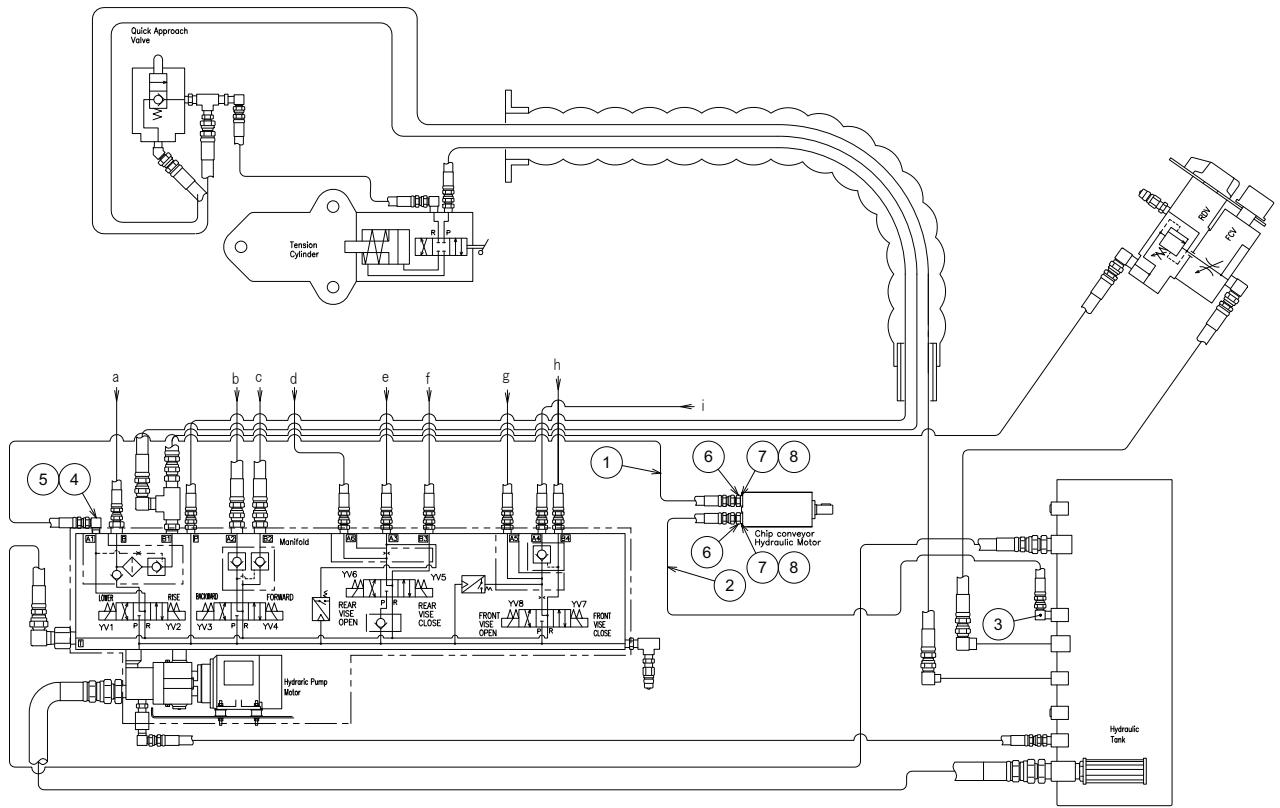
Unit No. 93
Chip Conveyor(3) <Chip Box>



Unit No. 93
Chip Conveyor(3)

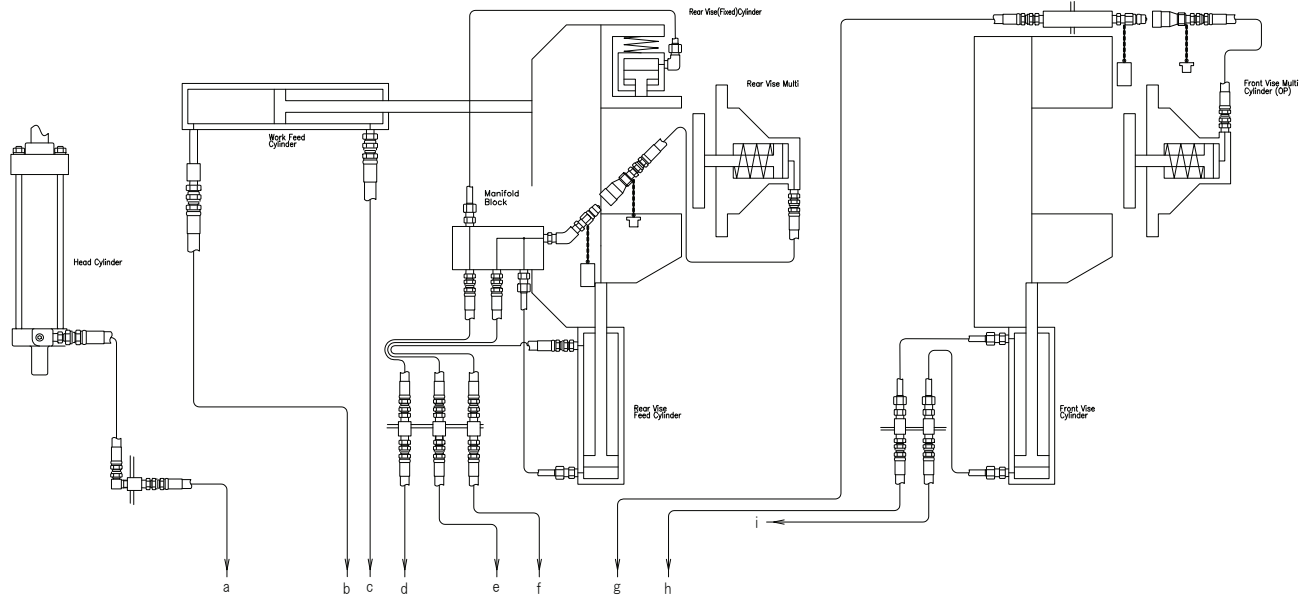
Index	Code	Parts Name	Drawing No.	Type	Maker	Q'ty	Note
1	10300880	Chip Box	RB00881---			1	
2	10300881	Screen	RB00882---			1	
3	10300882	Grip	RB00883--A			1	

Unit No. 94
 Chip Conveyor(4)-1/2 <Piping>



RB00870--A
 (RB00520--E)

Unit No. 94
Chip Conveyor(4)-2/2 <Piping>

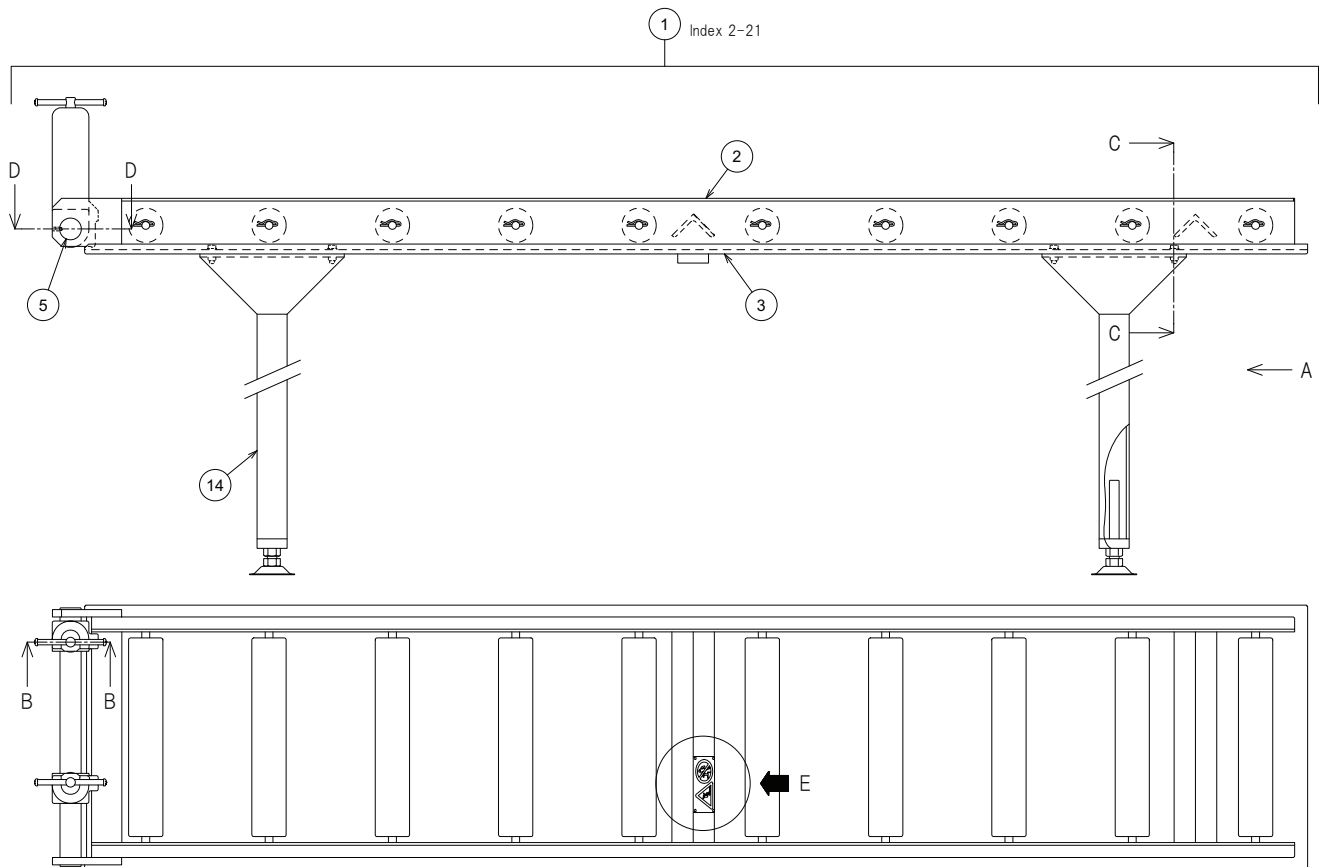


RB00870--A
(RB00520--E)

Unit No. 94
 Chip Conveyor(4)

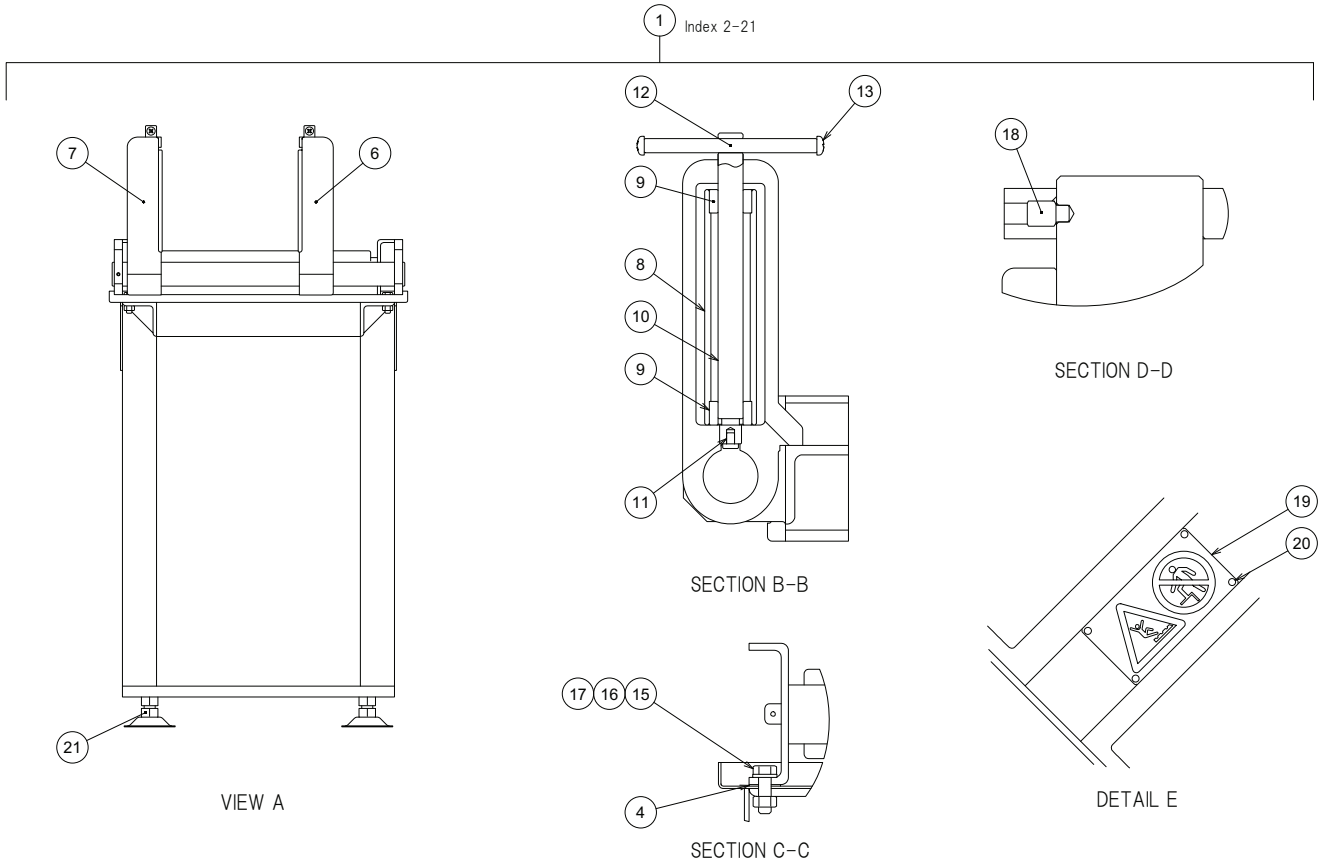
Index	Code	Parts Name	Drawing No.	Type	Maker	Q'ty	Note
1	10300873	Hydraulic Hose	RB00866--A	L=2400(1/4)		1	
2	10300874	Hydraulic Hose	RB00867--A	L=2500(1/4)		1	
3	10300603	Elbow	RB0054021A	PT1/4-PF1/4		1	
4	10300604	Elbow	RB0054022A	PT1/4-PF1/4		1	
5	10300609	Bolt for Adapter	RB0054031-			1	
6	10300610	Coupling	RB0054032A	G3/8-G1/4		2	
7	10300611	Copper Washer	RB0054033-			2	
8	10300615	O Ring	RB0054038-	14X1.8		2	

Unit No. 95
Roller Table-1/2



RB00930--C

Unit No. 95
Roller Table-2/2



RB00930--C

Unit No. 95

Roller Table

Index	Code	Parts Name	Drawing No.	Type	Maker	Q'ty	Note
1	10302091	Roller Conveyor ASSY	SBS0124---	RB00931--A, RB00932---, RB00680--- others		1	with Index 2-21
2	10300901	Roller Table	RB00931--A			1	
3	10300902	Oil Pan	RB00932---			1	
4	10300903	Gasket	RB00933---			4	
5	10300904	Guide Bar	RB00934---			1	
6	10300743	Roller Bracket L	RB00678---			1	
7	10300744	Roller Bracket R	RB00679---			1	
8	10300745	Roller	RB00680---		STKM	2	
9	10300746	Shaft Support	RB00681---			4	
10	10300747	Vertical Roller Set Bar	RB00682---			2	
11	10300369	Lock Piece	RB00266---			2	
12	10300748	Handle	RB00684---			2	
13	10322226	Pan Head Screw	P334100055	M6X12	JIS	4	
14	10300905	Roller Table Foot	RB00935---			2	
15	10001512	Bolt	P330030007	M8X25		8	
16	10589226	Nut	P332000005	M8	JIS	8	
17	10001521	Spring Washer	P336050006	8	JIS	8	
18	10326108	Socket Set Screw	P330570016	M6X10(Dog-end)	JIS	1	
19	10301136	Warning Plate	RB0376651-			1	

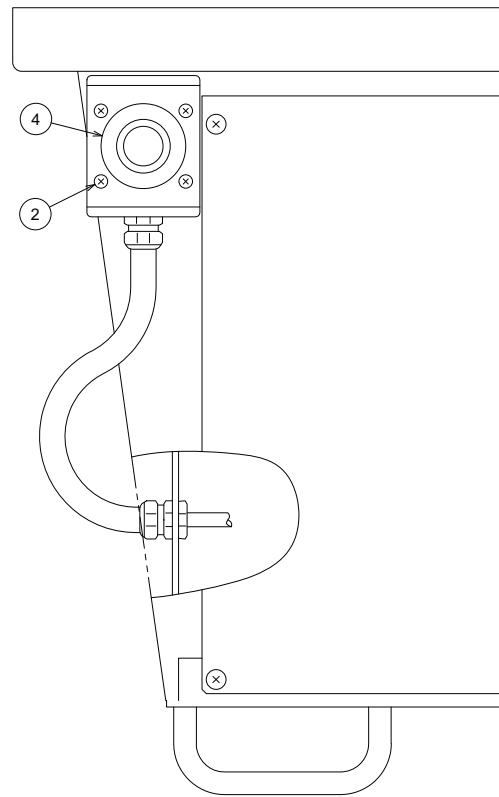
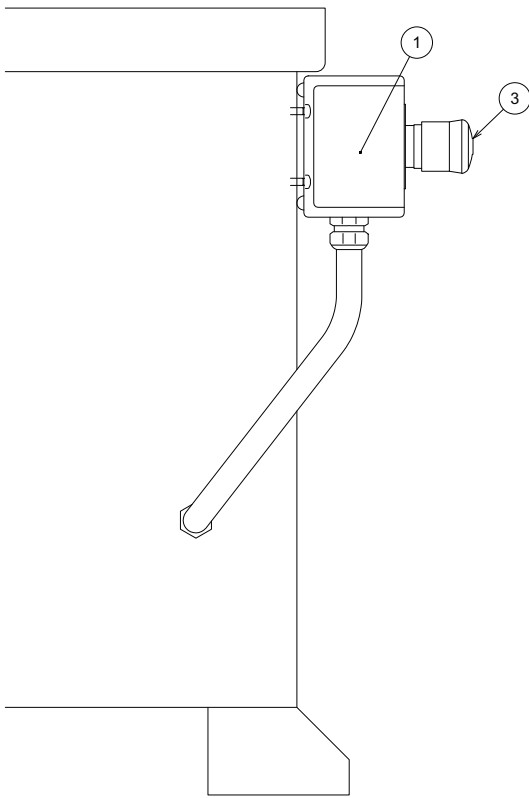
Unit No. 95
Roller Table

Index	Code	Parts Name	Drawing No.	Type	Maker	Q'ty	Note
20	10375027	Drive Screw	P339100002	NO.2X4.8	Tokyo Byora	4	
21	10300144	Adjust Bolt	P338228045	D-C16X130	DAIWARASHI	4	

Unit No. 96
5mm-wide Cutting

Index	Code	Parts Name	Drawing No.	Type	Maker	Q'ty	Note
1	10300991	Work Receiver	RB01091---			1	
2	10300992	Vise Plate F	RB01092---			1	

Unit No. 97
Emergency Stop Button

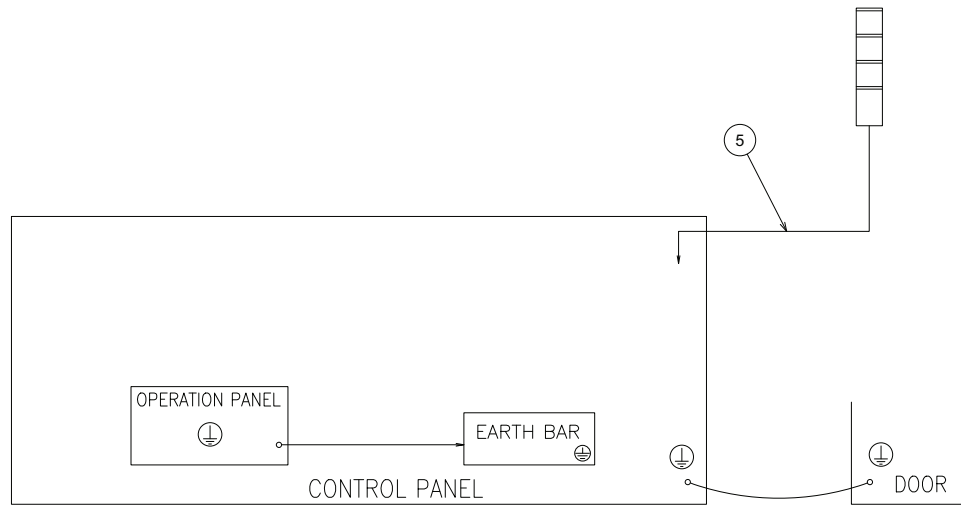


Unit No. 97

Emergency Stop Button

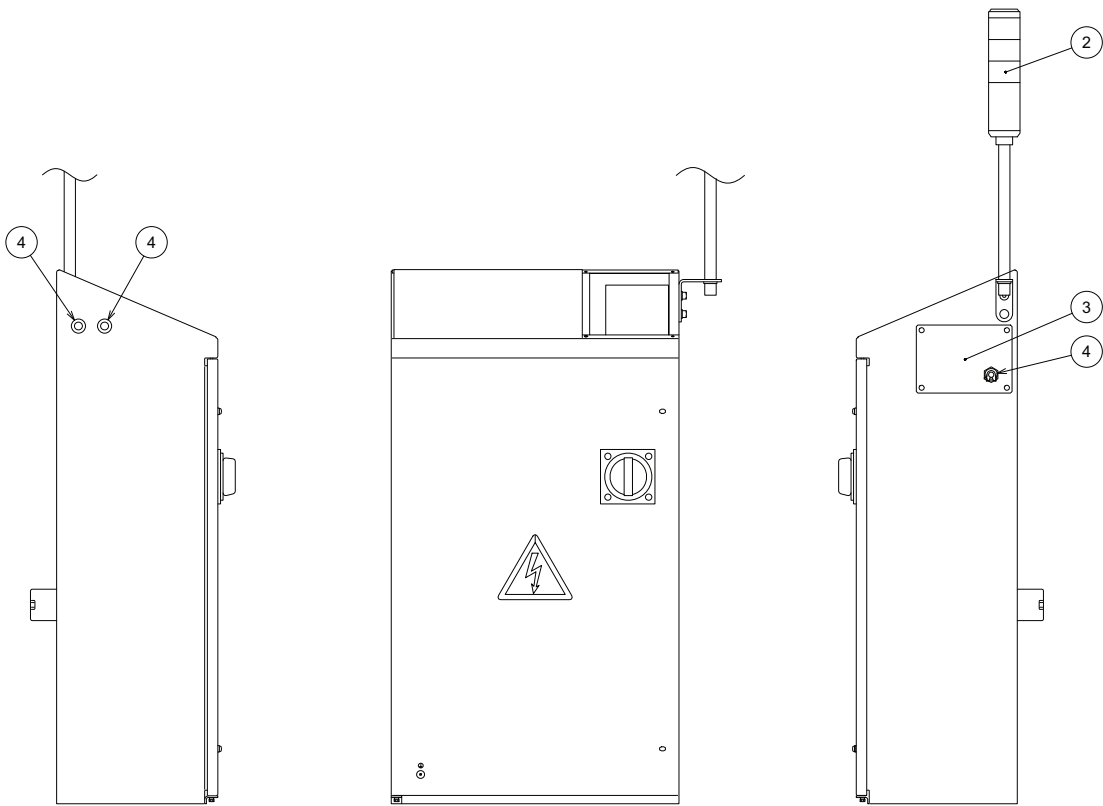
Index	Code	Parts Name	Drawing No.	Type	Maker	Q'ty	Note
1	10300202	Accessory for Switch	P821806017	KGNW111Y	IDEC	1	
2	10322224	Pan Head Screw	P334100039	M5X10	JIS	4	
3	10300201	Push Button Switch	P821088012	M22-PV/K01	MURA Electric	1	
4	10300203	Accessory for Switch	P821807007	M22-XBK	MURA Electric	1	

Unit No. 98
Signal Tower-1/3



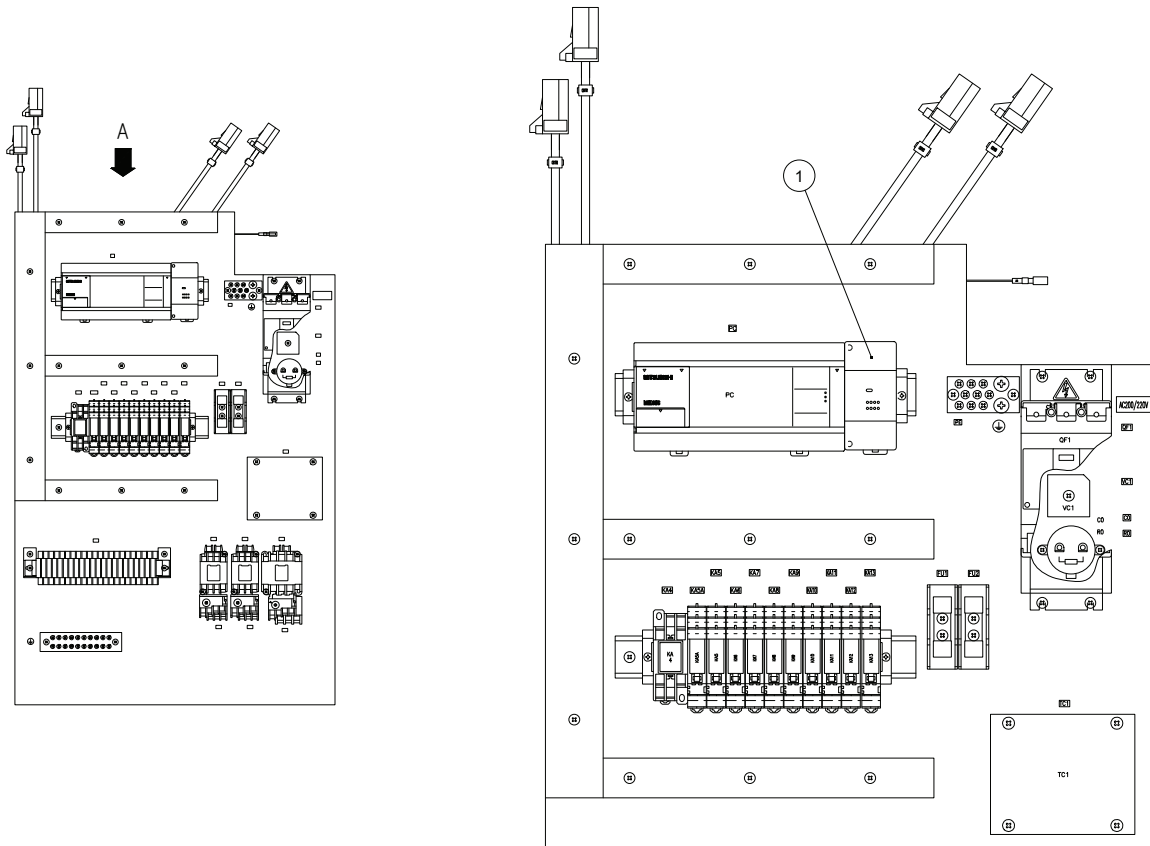
RB01035---
(RB00771--C)

Unit No. 98
Signal Tower-2/3



RB01035---
(RB00772--C)

Unit No. 98
Signal Tower-3/3



DETAIL A

RB01035---
(RB01548--B)

Unit No. 98
Signal Tower

Index	Code	Parts Name	Drawing No.	Type	Maker	Q'ty	Note
1	10583723	Accessory (Program Controller)	P767486037	FX2N-8EYR-ES/UL	MITSUBISHI	1	
2	10579579	Signal Light Unit	P642112013	LME-302L-RYG	PATLITE	1	
3	10300823	Cover Add Works	RB0077501B			1	
4	10301122	CAPCON	RB0160009-	OA-1		2	
5	10301109	Signal Light Cable Add Works	RB0155131-			1	