

NOV.1995

# HORIZONTAL BANDSAW

## **HFA-500S**<sub>(EXP)</sub><ACT>

# PARTS LIST

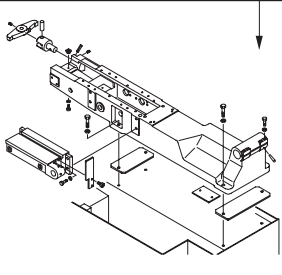
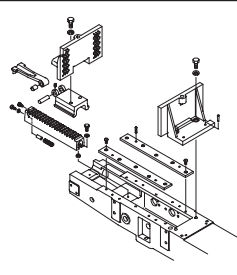


## GENERAL INFORMATION

- \* Specifications subject to change without notice.
- \* This parts list shows all of the parts used in your machine.  
Please file this parts list for reference and refer to it when you order parts or maintain the machine.
- \* This edition has been divided into sections.  
Please refer to MACHINE COMPONENT.
- \* The scale used on each page of drawings is different.  
Please be aware that parts may seem to be different sizes on different pages.

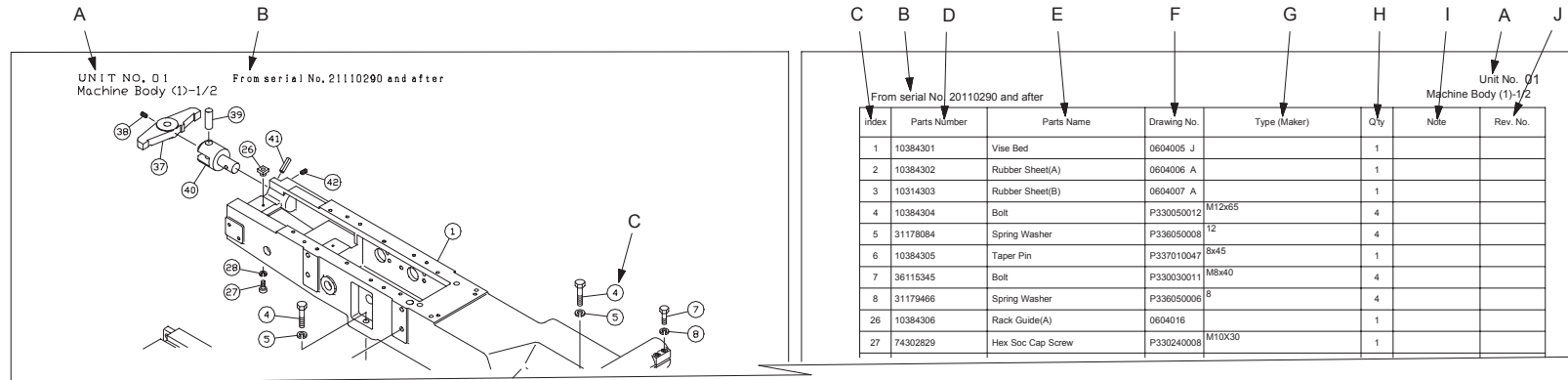
## INTRODUCTION

### 1. TABLE OF CONTENTS

a	b	c
01	Machine Body(1)-1/2	02
		

- a Unit No.
- b Unit Name
- c Assembly drawings shown in the main text.

## 2. MAIN TEXT



### A Unit No. and Name

The Unit No. and Name are shown on relevant pages.

### B Machine Serial No.

The Serial Nos. of machines corresponding to the information shown.

### C Index No.

The index No. for each part in a drawing is shown and corresponds to the list of parts for that drawing.

### D Parts No.

The individual Code No. for each part on the models is shown.  
Nos. in parentheses represent interchangeable with other machines.

### E Parts Name

The name (description) of each part.

### F Drawing No.

The numbers of drawings relevant to the part are given.

### G Type (Maker)

The type description and manufacturer of each marketed item are shown.

### H Quantity

The quantity of each part used on the models is shown.

### I Notes

Cautions and notes necessary to the ordering each part.

### J Rev. No.

The number to administrate history of revision.

## ORDER INSTRUCTIONS

1. Confirm whether the model name and No. on the serial plate of the machine correspond to the numbers of the machines for which the parts list is effective.
2. Use the drawings in the Table of Contents to find the unit on which the part in question is shown in greater detail.
3. Spread out the referred pages.
4. Use the drawings and corresponding lists to confirm the specs,etc. of the part in question.
5. When ordering, please supply the following information:
  - (1) Machine Model
  - (2) Serial No.
  - (3) Parts No.
  - (4) Quantity

## UNIT LIST

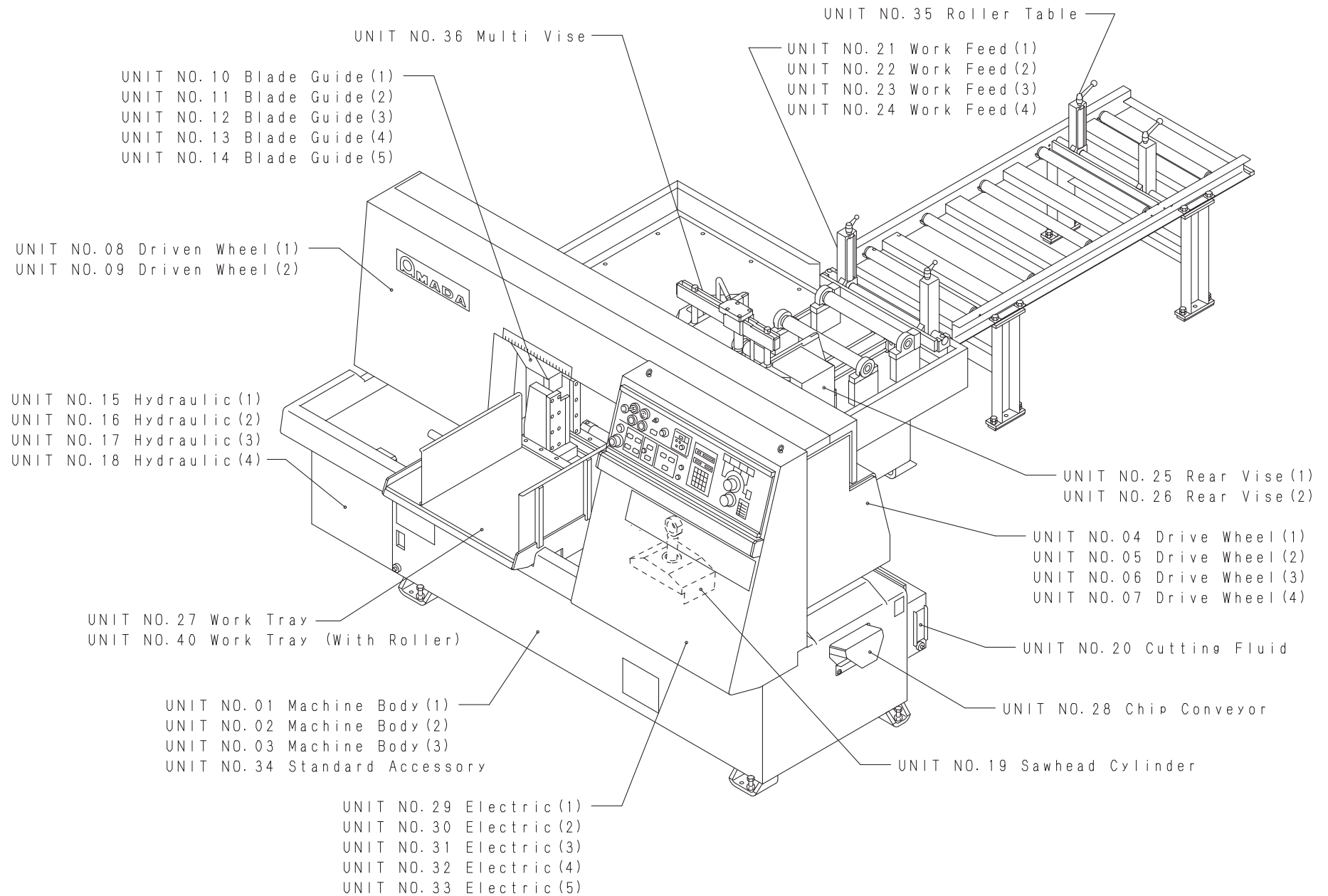
Machine Body  
Drive Wheel  
Driven Wheel  
Blade Guide  
Hydraulic  
Sawhead Cylinder  
Cutting Fluid  
Work Feed  
Rear Vise  
Work Tray  
Chip Conveyor  
Electric  
Standard Accessory  
Roller Table  
Multi Vise  
Auto Following Wire Brush  
Work Tray(With Roller)

---

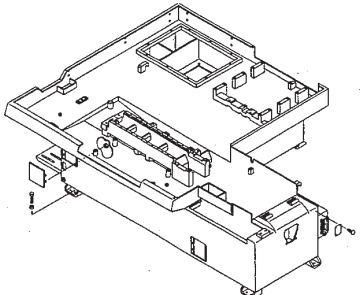
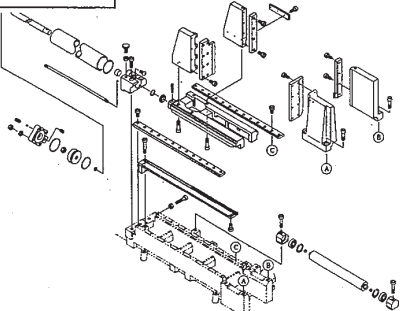
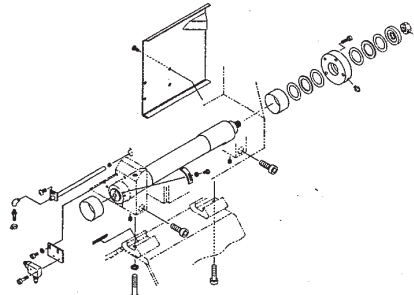
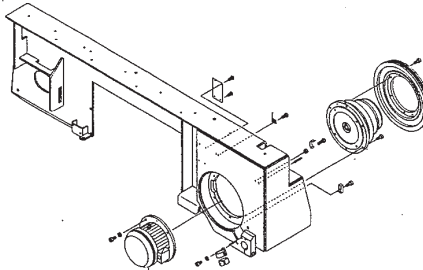
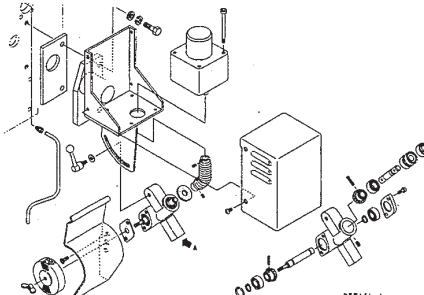
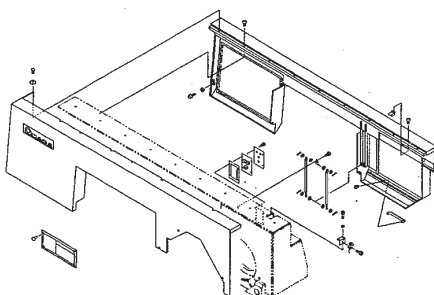
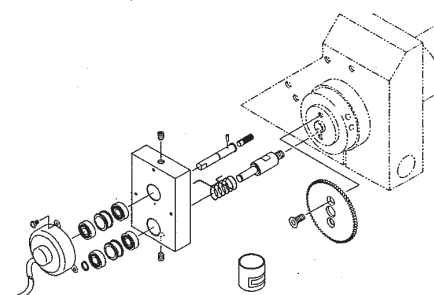
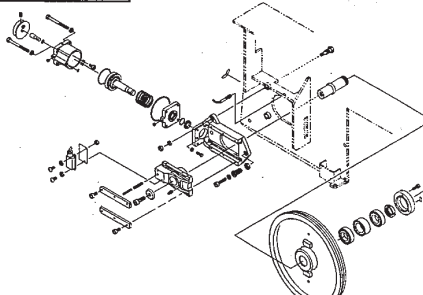
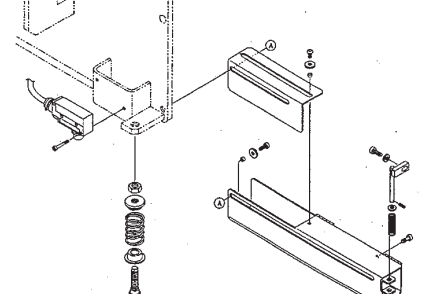
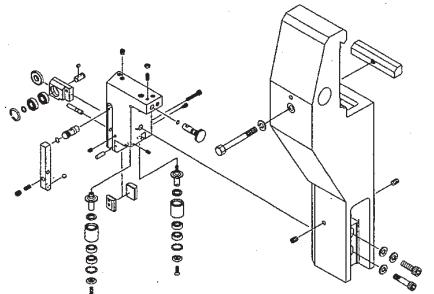
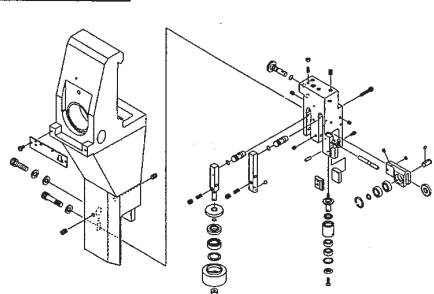
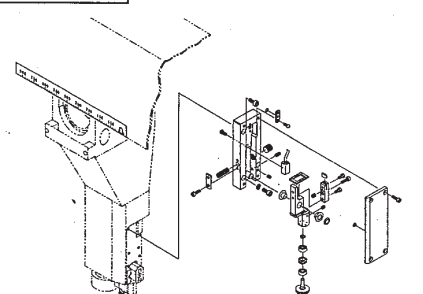
© 2001 AMADA Co.,LTD.

All rights reserved. Printed in Japan.

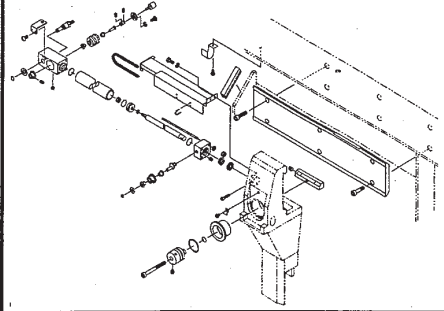
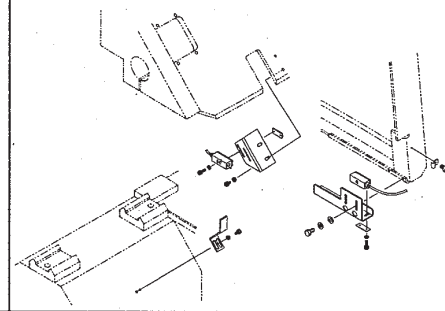
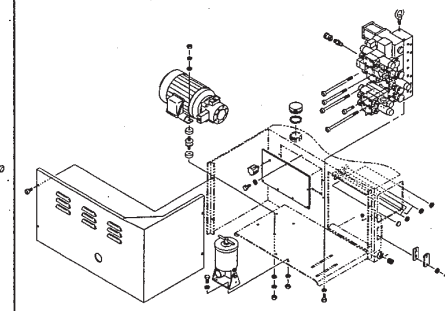
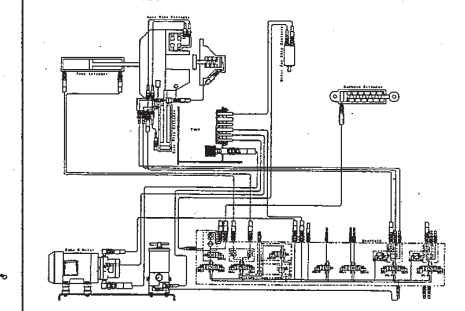
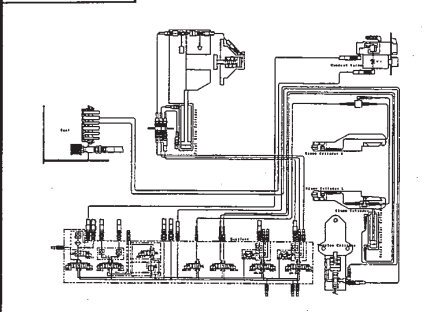
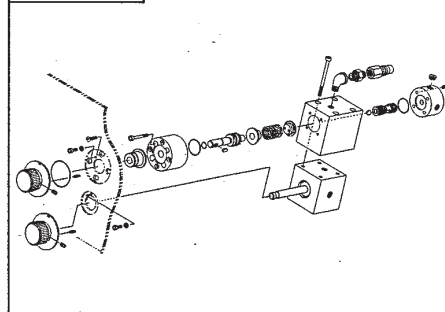
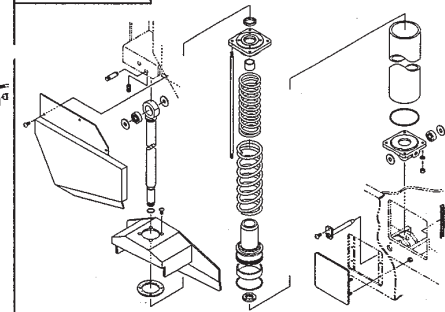
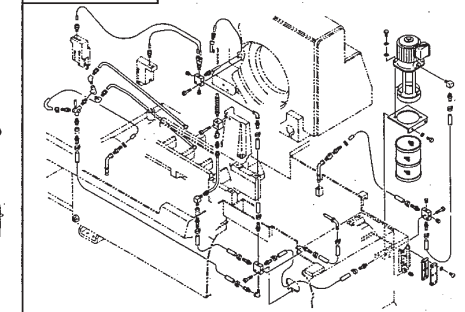
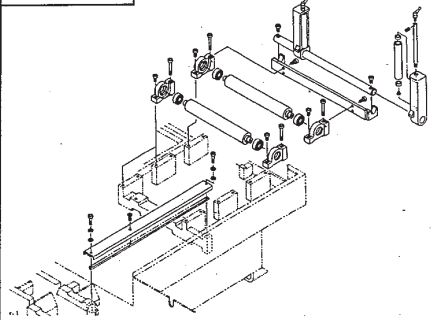
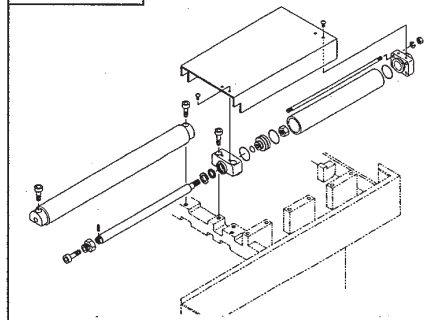
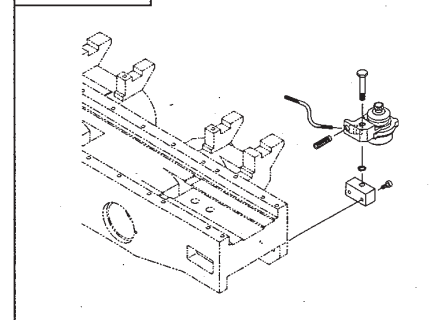
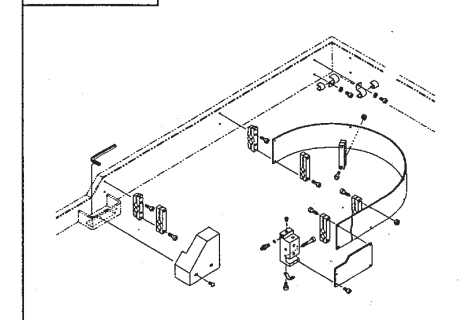
# MACHINE COMPONENT



# CONTENTS(1)

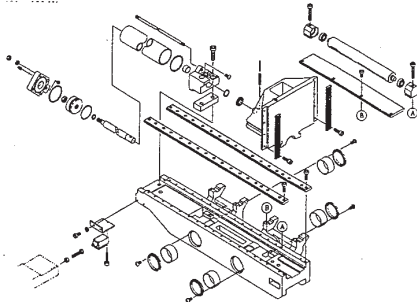
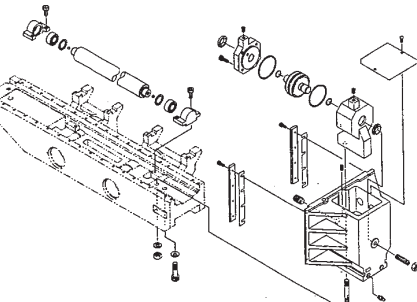
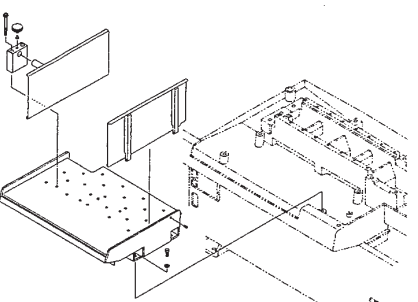
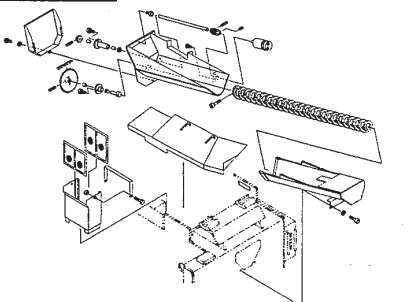
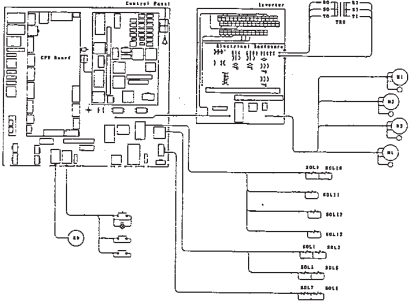
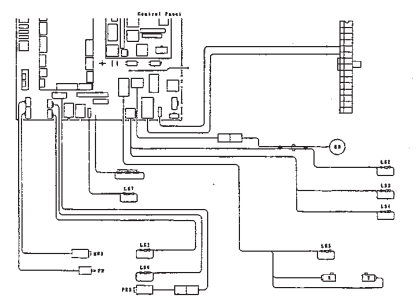
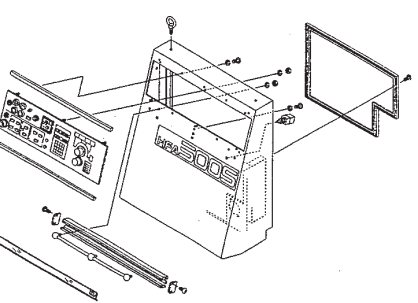
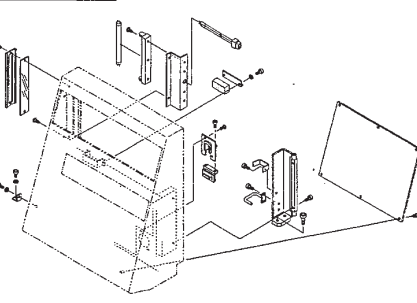
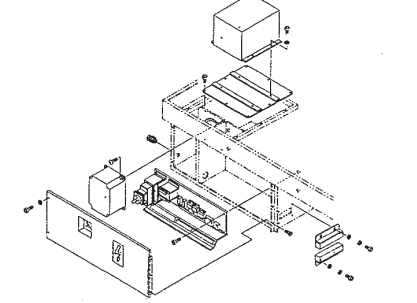
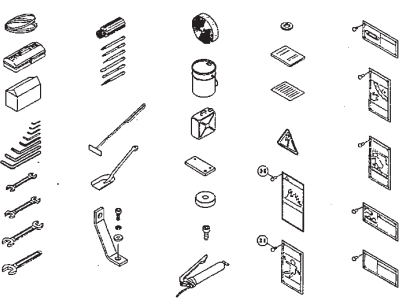
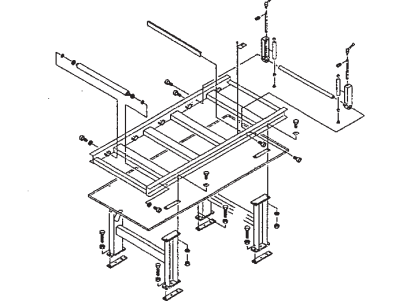
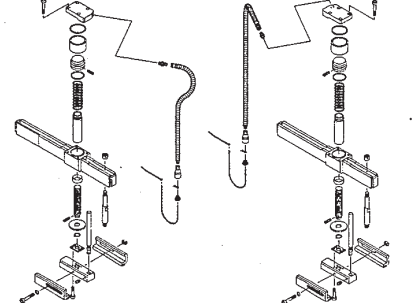
<p><b>01 Machine Body(1)</b></p> <p>01-1~01-2</p> 	<p><b>02 Machine Body(2)</b></p> <p>02-1~02-5</p> 	<p><b>03 Machine Body(3)</b></p> <p>03-1~03-3</p> 	<p><b>04 Drive Wheel(1)</b></p> <p>04-1~04-3</p> 
<p><b>05 Drive Wheel(2)</b></p> <p>05-1~05-4</p> 	<p><b>06 Drive Wheel(3)</b></p> <p>06-1~06-3</p> 	<p><b>07 Drive Wheel(4)</b></p> <p>07-1~07-2</p> 	<p><b>08 Driven Wheel(1)</b></p> <p>08-1~08-5</p> 
<p><b>09 Driven Wheel(2)</b></p> <p>09-1~09-3</p> 	<p><b>10 Blade Guide(1)</b></p> <p>10-1~10-4</p> 	<p><b>11 Blade Guide(2)</b></p> <p>11-1~11-5</p> 	<p><b>12 Blade Guide(3)</b></p> <p>12-1~12-3</p> 

# CONTENTS(2)

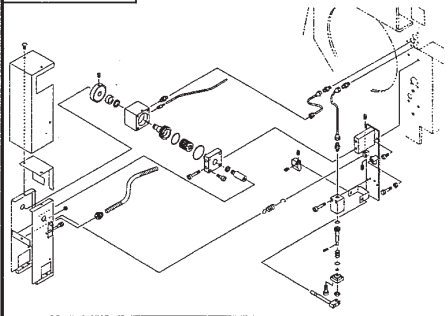
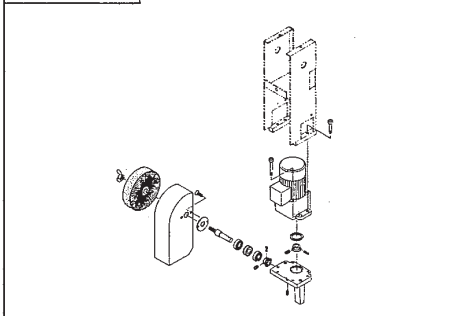
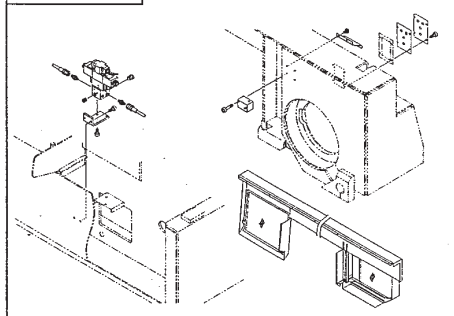
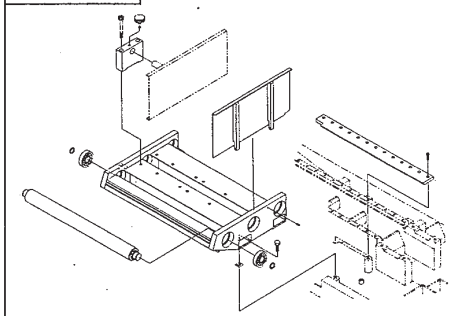
13   Blade Guide(4)	14   Blade Guide(5)	15   Hydraulic(1)	16   Hydraulic(2)
13-1~13-5	14-1~14-3	15-1~15-5	16-1~16-4
			
17   Hydraulic(3)	18   Hydraulic(4)	19   Sawhead Cylinder	20   Cutting Fluid
17-1~17-3	18-1~18-3	19-1~19-3	20-1~20-4
			
21   Work Feed(1)	22   Work Feed(2)	23   Work Feed(3)	24   Work Feed(4)
21-1~21-3	22-1~22-3	23-1~23-2	24-1~24-3
			



# CONTENTS(3)

<p><b>25 Rear Vise(1)</b></p> <p>25-1~25-4</p> 	<p><b>26 Rear Vise(2)</b></p> <p>26-1~26-3</p> 	<p><b>27 Work Tray</b></p> <p>27-1~27-2</p> 	<p><b>28 Chip Conveyor</b></p> <p>28-1~28-4</p> 
<p><b>29 Electric(1)</b></p> <p>29-1~29-3</p> 	<p><b>30 Electric(2)</b></p> <p>30-1~30-3</p> 	<p><b>31 Electric(3)</b></p> <p>31-1~31-3</p> 	<p><b>32 Electric(4)</b></p> <p>32-1~32-3</p> 
<p><b>33 Electric(5)</b></p> <p>33-1~33-3</p> 	<p><b>34 Standard Accessory</b></p> <p>34-1~34-4</p> 	<p><b>35 Roller Table</b></p> <p>35-1~35-3</p> 	<p><b>36 Multi Vise</b></p> <p>36-1~36-4</p> 

# CONTENTS(4)

37 Auto Following Wire Brush(1)	38 Auto Following Wire Brush(2)	39 Auto Following Wire Brush(3)	40 Work Tray (With Roller)
<p>37-1~37-4</p> 	<p>38-1~38-3</p> 	<p>39-1~39-2</p> 	<p>40-1~40-2</p> 

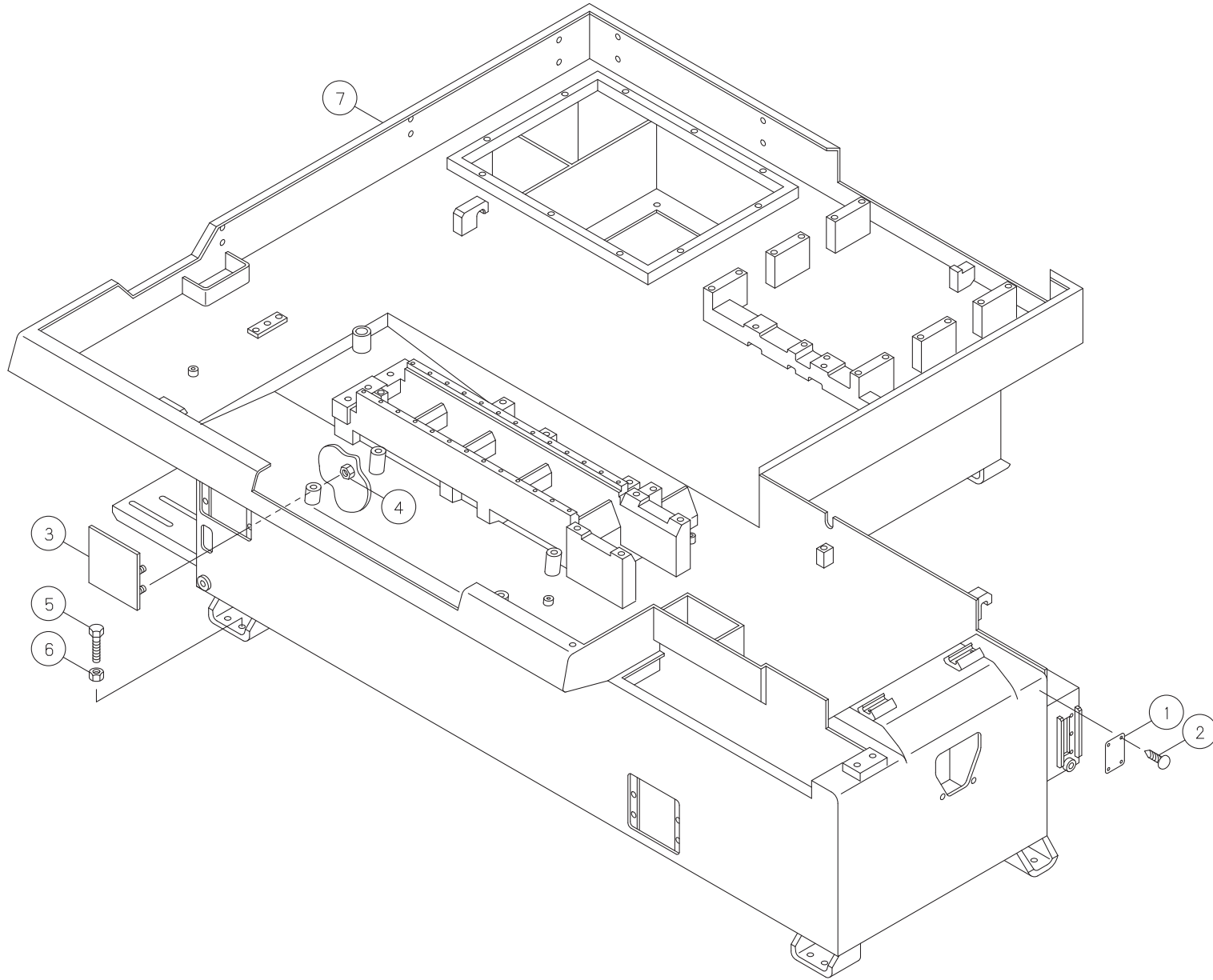
01

From Serial No.50330004 and after

## Machine Body (1)

UNIT NO. 01  
Machine Body (1)

From serial No. 50330004 and after



From Serial No.50330004 and after

Index	Parts Number	Parts Name	Drawing No.	Type(Maker)	Q'ty	Note	Rev.No.
1	10379402	Serial Plate	1283203		1		
2	10555748	Drive Screw Rivet		D2.5X6	4		1893
3	10555452	Lower Cover	1233336 B		1		2149
4	10555222	Nut		M6 TYPE-1	4		2149
5	10343764	Bolt		M12X60 ALL THREAD	6		2149
6	10340009	Nut		M12 TYPE-3	6		1750
7	10379401	Oil Pan	1233032 G		1		2707



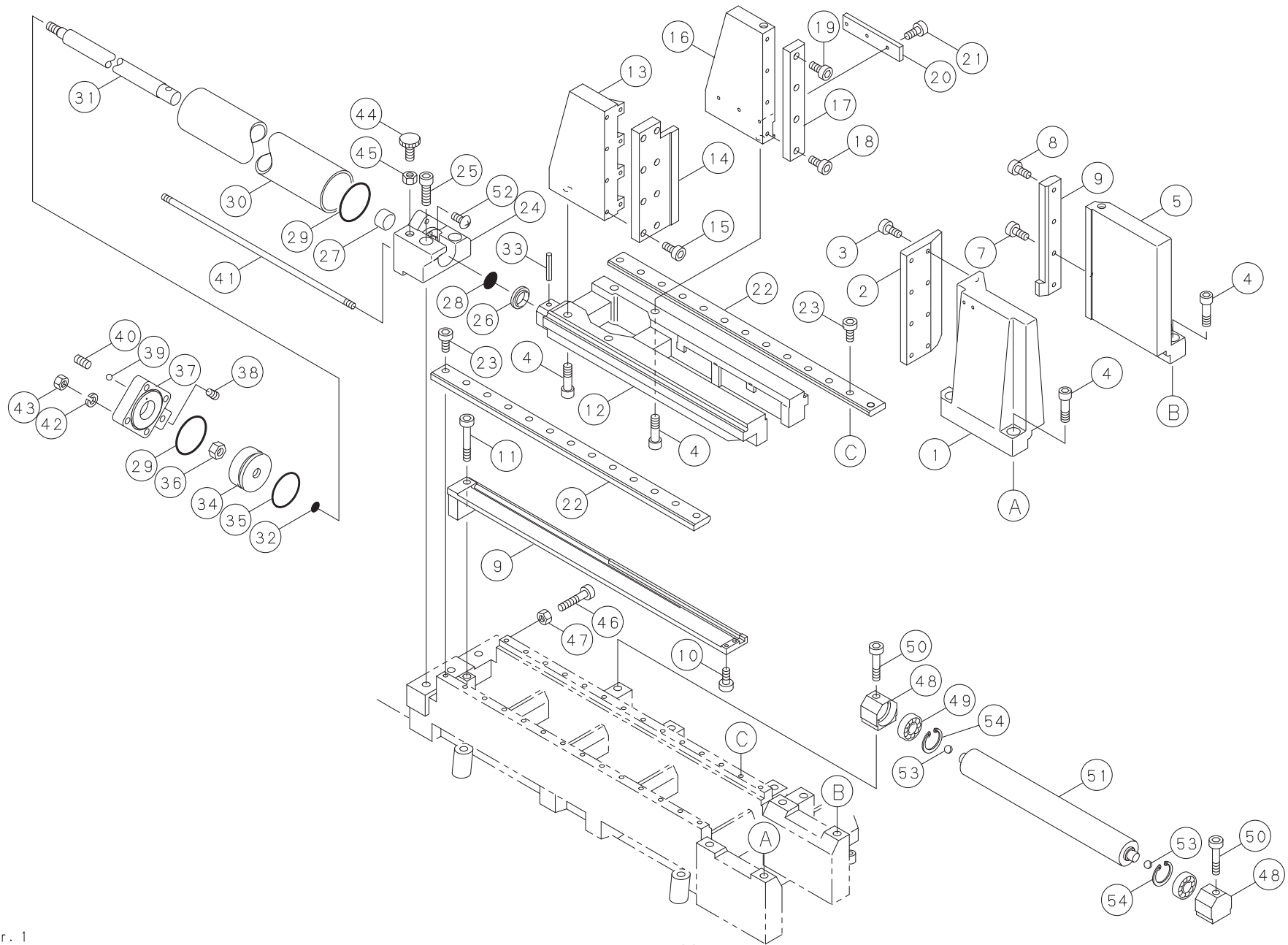
02

From Serial No.50330004 and after

## Machine Body (2)

UNIT NO. 02  
Machine Body (2)

From serial No. 50330004 and after





From Serial No.50330004 and after

Index	Parts Number	Parts Name	Drawing No.	Type(Maker)	Q'ty	Note	Rev.No.
1	10555340	Fixed Vise Jaw (F)	1233004 D		1		1971
2	10555348	Fixed Side Vise Plate (F)	1233005 B		1		1971
3	10569012	Hex Soc Cap Screw		M8X25	8		
4	10555404	Reamer Bolt	1230007 A		8		
5	10555341	Fixed Vise Jaw (R)	1233006 D		1		1917
6	10555349	Vise Plate (R)	1233007 C		1		2203
7	10569012	Hex Soc Cap Screw		M8X25	3		
8	10555628	Hex Soc Cap Screw		M8X20	1		
9	10379403	Work Receiver	1233067 E		1		02849
10	10555628	Hex Soc Cap Screw		M8X20	2		
11	10555629	Hex Soc Cap Screw		M8X75	1		
12	10555534	Slide Piece	1233068 D		1		2011
13	10555342	Movable Vise Jaw (F)	1233010 A		1		1791
14	10555358	Vise Plate (F)	1233069 C		1		2203
15	10569012	Hex Soc Cap Screw		M8X25	8		
16	10555343	Movable Vise Jaw (R)	1233012 E		1		2203
17	10555350	Vise Plate (R)	1233013 D		1		2203
18	10569012	Hex Soc Cap Screw		M8X25	3		

From Serial No.50330004 and after

Index	Parts Number	Parts Name	Drawing No.	Type(Maker)	Q'ty	Note	Rev.No.
19	10555628	Hex Soc Cap Screw		M8X20	1		
20	10555352	Plate	1233019 A		1		1792
21	10555626	Hex Soc Cap Screw		M6X12	3		1893
22	10379404	Slide Plate	1233070 C		2		2707
23	10555628	Hex Soc Cap Screw		M8X20	26		1977
24	10376203	Cylinder Cap (F)	1233015 B		1		2952
25	10558428	Hex Soc Cap Screw		M16X50	2		2361
26	10555753	Dust Seal		SCB30 (SAKAGAMI)	1		
27	10555708	Oilless Metal Bushing		MB3020DU (DAIDO)	1		
28	10564114	O Ring		1AP-30	1		
29	10556103	O Ring		1AG-80	2		
30	10555450	Cylinder	1233071		1		
31	10555531	Piston Rod	1233072 A		1		2101
32	10556111	O Ring		1AP-20	1		
33	10555713	Spring Pin		D10X60	1		
34	10555522	Piston	1280024		1		
35	10556109	O Ring		1AP-70	1		
36	10566021	U-Nut		M16	1		

From Serial No.50330004 and after

Index	Parts Number	Parts Name	Drawing No.	Type(Maker)	Q'ty	Note	Rev.No.
37	10555518	Cylinder Cap (R)	1280026 A		1		1873
38	10561510	Plug		1/4\$	1		
39	10561616	Steel Ball		3/16	1		1873
40	10356511	Socket Set Screw		M6X12 DOG END	1		1873
41	10555530	Tie Rod	1233073		4		
42	10557018	Spring Washer		M12	4		
43	10555324	Nut		M12	4		
44	10555406	Touch Bolt	1230486 B		1		
45	10567522	Nut		M16	1		
46	10566101	Bolt		M8X40	1		
47	10555323	Nut		M8	1		
48	10379405	Roller Bracket	1233074 C		2		2707
49	10555910	Needle Bearing		RNA4905UU (IKO)	2		
50	36334825	Hex Soc Cap Screw		M8X75	2		2707
51	10555132	Roller	1233075 C		1		1911
52	10332124	Truss Head Screw		M6X8	1		2952
53	10556031	Steel Ball		3/8\$	2		
54	10557107	Snap Ring		RTW-42 (OCHIAI)	2		



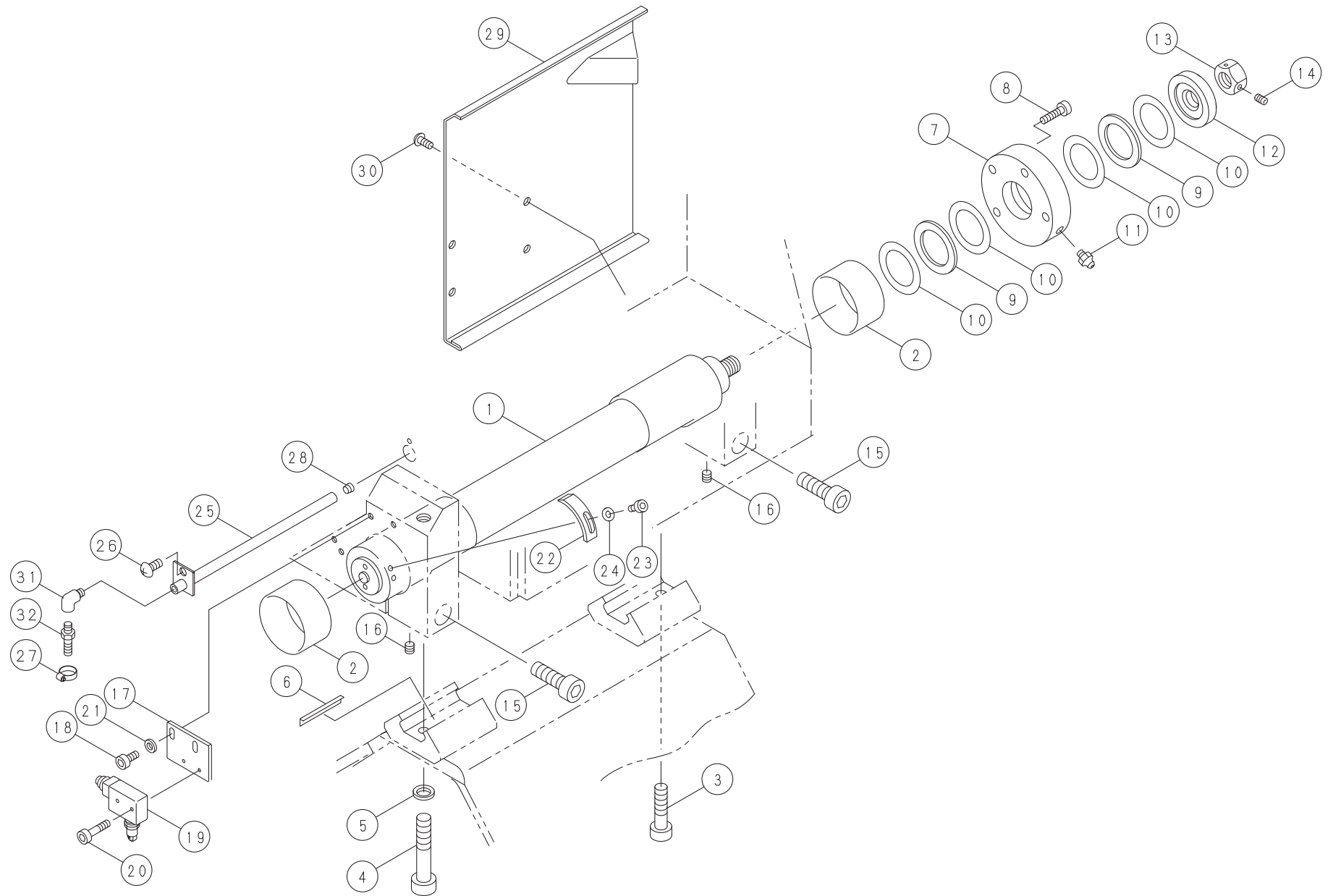
03

From Serial No.50330004 and after

## Machine Body (3)

UNIT NO. 03  
Machine Body (3)

From serial No. 50330004 and after



From Serial No.50330004 and after

Index	Parts Number	Parts Name	Drawing No.	Type(Maker)	Q'ty	Note	Rev.No.
1	10376205	Hinge Pin	1233036 B		1		2707
2	10556917	Oilless Metal Bushing		MB7040DU (DAIDO)	2		
3	10322210	Hex Soc Cap Screw		M14X55	1		
4	10555405	Reamer Bolt (L)	1230017 B		1		
5	10555814	Coned Spring Washer		CDW-16H	1		
6	10555260	Hinge Shim	1230038		1		
7	10376206	Bearing Support	1233037 B		1		2707
8	36113117	Hex Soc Cap Screw		M10X45	4		2707
9	10555908	Thrust Needle Bearing		FNTA 4565 (NSK)	2		
10	10555912	Thrust Washer		FTRA 4565 (NSK)	4		1485
11	10555811	Grease Nipple		B-M6X1	1		
12	10555331	Bearing Cap	1230019		1		
13	10555245	Nut	0603150		1		
14	10555822	Socket Set Screw		M6X8 CUP END	1		
15	10558428	Hex Soc Cap Screw		M16X50	2		
16	10354917	Socket Set Screw		M8X8 CUP END	2		
17	10375010	LS Bracket	1233048		1		02346
18	10555626	Hex Soc Cap Screw		M6X12	2		02346

From Serial No.50330004 and after

Index	Parts Number	Parts Name	Drawing No.	Type(Maker)	Q'ty	Note	Rev.No.
19	10556131	Limit Switch		ZC-N2255 (OMURON)	1		
20	10558426	Hex Soc Cap Screw		M5X20	2		
21	10557011	Washer		M6	2		02346
22	10376207	Dog	1233039 A		1		02346
23	10334117	Hex Soc Cap Screw		M5X12	2		
24	10557010	Washer		M5	2		
25	10376208	Shower Nozzle	1233040 D		1		2707
26	10340019	Truss Head Screw		M6X12	1		
27	10555767	Band For Hose		FOR D16	1		
28	10555763	Plug		PT1/8 TYPE-1	1		2001
29	10555235	Hinge Chip Receiver	1233044 A		1		1979
30	10340019	Truss Head Screw		M6X12	4		1786
31	10378706	Hose Connector		NH-61 (KOYO)	1		2707
32	10378707	Male Female Elbow		PT1/8	1		2707



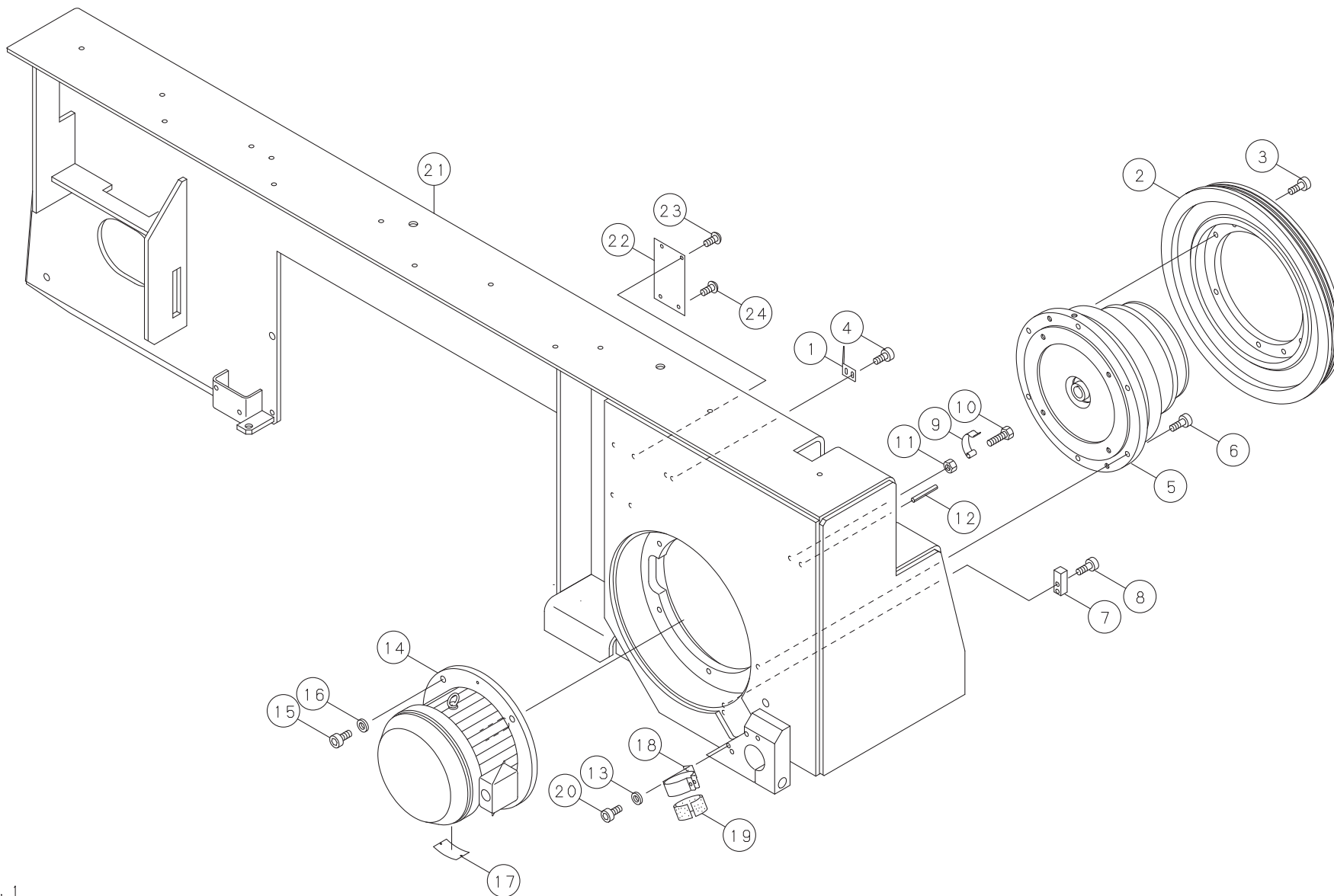
04

From Serial No.50330004 and after

Drive Wheel (1)

UNIT NO. 04  
Drive Wheel (1)

From serial No. 50330004 and after



From Serial No.50330004 and after

Index	Parts Number	Parts Name	Drawing No.	Type(Maker)	Q'ty	Note	Rev.No.
1	10556733	Blade Scraper	1233122		1		2003
2	10556652	Drive Wheel	1233095 A		1		2288
3	10565913	Hex Soc Cap Screw		M12X30	6		
4	10558429	Hex Soc Cap Screw		M6X14	2		2002
5	10556818	Transmission	7922586 A		1		02241
6	10559921	Hex Soc Cap Screw		M12X40	6		
7	10556734	Blade Holder	1233117		1		1844
8	10556908	Hex Soc Cap Screw		M6X20	2		1844
9	10556662	Spring Holder	0604077 A		1		
10	10556913	Bolt		M8X55 ALL THREAD	1		1620
11	10555323	Nut		M8	3		1620
12	10557113	Spring Pin		D6X60	1		
13	10557011	Washer		M6	2		2002
14	10556633	Motor	7920876 B		1		02320
15	10565914	Hex Soc Cap Screw		M12X35	4		
16	10557012	Washer		M12	4		
17	10556667	Legend Plate (Motor)	792087601		1		02320
18	10556660	Hose Holder	1233041		1		1770

From Serial No.50330004 and after

Index	Parts Number	Parts Name	Drawing No.	Type(Maker)	Q'ty	Note	Rev.No.
19	10557003	Oilproof Rubber		60WX5TX300L	1		1770
20	10558429	Hex Soc Cap Screw		M6X14	2		1770
21	10379406	Housing Yoke	1233094 K		1		2907
22	10376210	Cover	1233140		1		2684
23	10372302	Truss Head Screw		M6X12	2		2684
24	74315324	Truss Head Screw		M8X12	2		2684

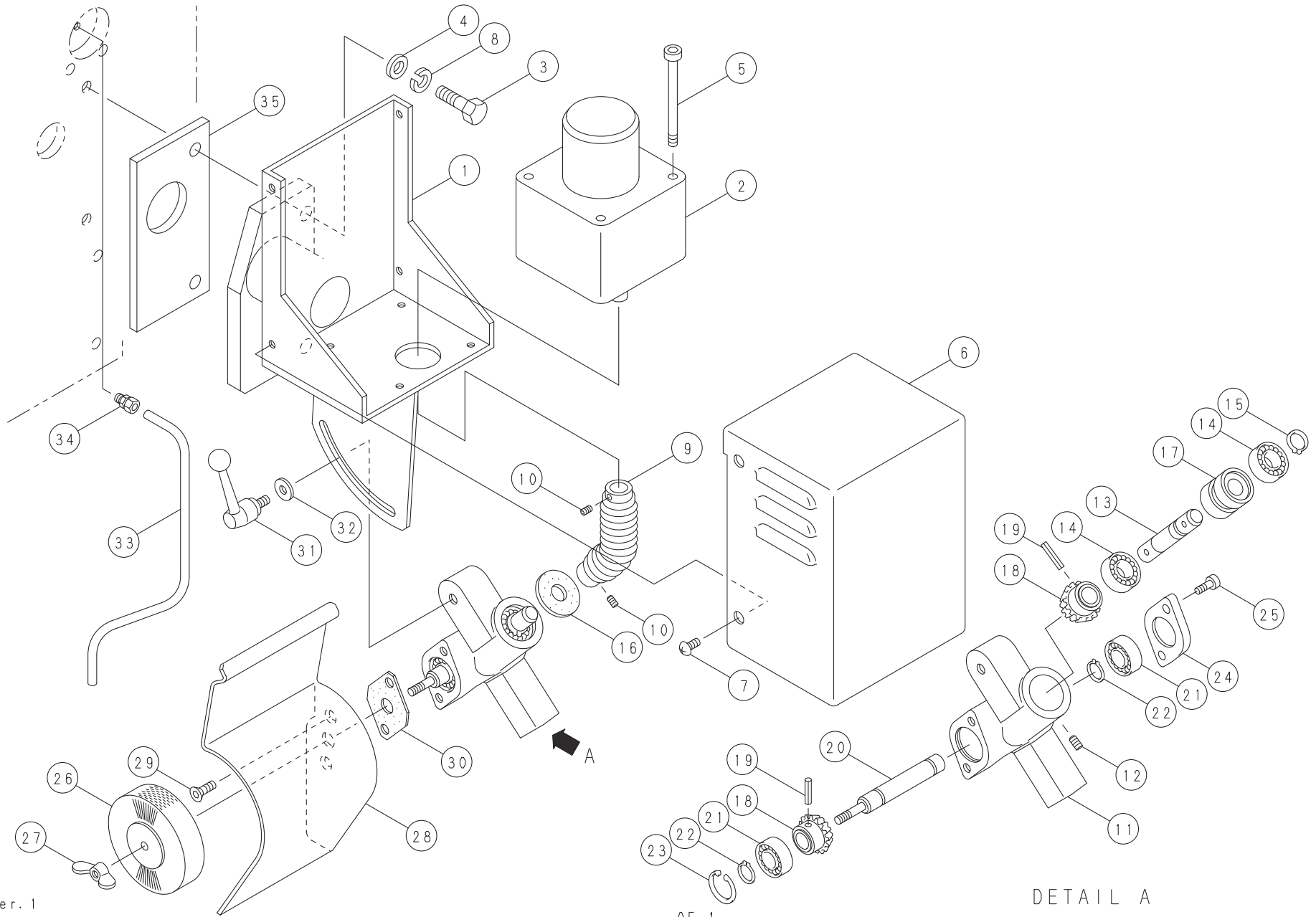
05

From Serial No.50330004 and after

Drive Wheel (2)

UNIT NO. 05  
Drive Wheel (2)

From serial No. 50330004 and after



From Serial No.50330004 and after

Index	Parts Number	Parts Name	Drawing No.	Type(Maker)	Q'ty	Note	Rev.No.
1	10556724	Motor Bracket	1233131 D		1		2123
2	10556756	Motor	7920878		1		1663
3	10564001	Bolt		M10X30	2		
4	10555902	Washer		M10	2		
5	10556909	Hex Soc Cap Screw		M6X80	4		
6	10556606	Motor Cover	1233132		1		
7	10340019	Truss Head Screw		M6X12	4		1663
8	10558513	Spring Washer		M10	2		
9	10557157	Universal Joint		ND-12-01C (KYOWA)	1		
10	10560025	Socket Set Screw		M5X6 CUP END	1		1816
11	10556644	Gear Case (B)	1232336 C		1		2123
12	10556922	Socket Set Screw		M6X10 CUP END	1		1663
13	10556743	Gear Shaft (B)	1233133		1		
14	10564006	Ball Bearing		6001DDU (NSK)	2		1664
15	10557105	Snap Ring		STW-12 (OCHIAI)	1		
16	10556631	Rubber Sheet	1232333 B		1		1664
17	10556711	Collar	1232338 A		1		1664
18	10556752	Miter Gear	1240276		2		

From Serial No.50330004 and after

Index	Parts Number	Parts Name	Drawing No.	Type(Maker)	Q'ty	Note	Rev.No.
19	10552421	Spring Pin		D4.5X20	2		
20	10556744	Brush Shaft	1233134		1		
21	10564006	Ball Bearing		6001DDU (NSK)	2		1664
22	10557105	Snap Ring		STW-12 (OCHIAI)	2		
23	10557108	Snap Ring		RTW-28 (OCHIAI)	1		
24	10556635	Cap	1232335 B		1		2123
25	10558429	Hex Soc Cap Screw		M6X14	2		
26	10556627	Wire Brush	1200396 A		1		
27	10557133	Wing Nut		M6 TYPE-1	1		
28	10556607	Brush Cover	1233135 E		1		2123
29	10328361	Flat Head Bolt		M6X12	2		
30	10556657	Packing	1233142 A		1		2123
31	10571201	Clamp Lever		KR8X30 (IMAO)	1		1816
32	10555901	Washer		M8	1		
33	10556748	Nozzle	1233137 A		1		2123
34	10557153	Connector		S-8X1/4 (BAN)	1		2123
35	10376211	Wire Brush Plate	1233127		1		2684



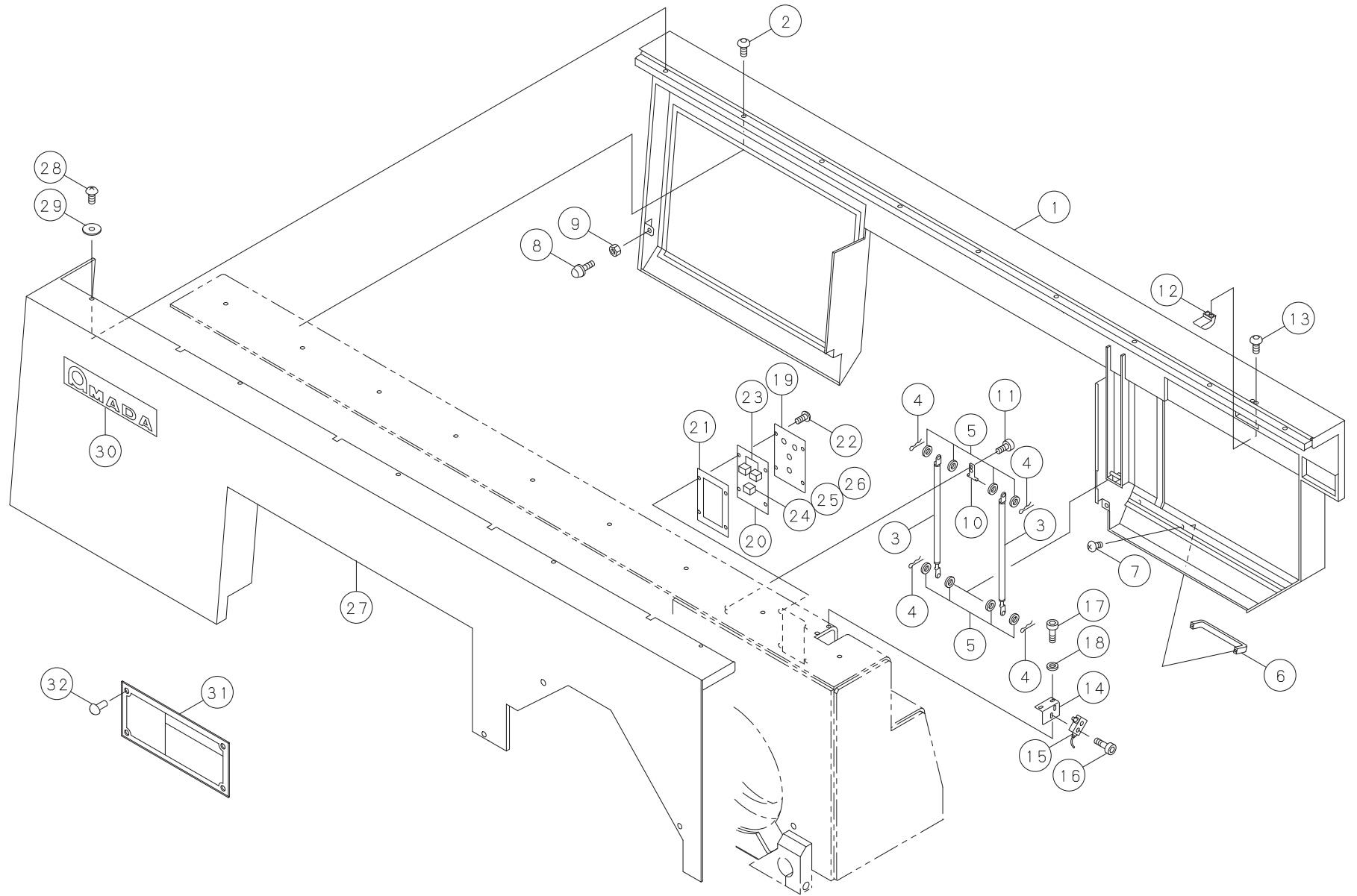
06

From Serial No.50330004 and after

## Drive Wheel (3)

UNIT NO. 06  
Drive Wheel (3)

From serial No. 50330004 and after



From Serial No.50330004 and after

Index	Parts Number	Parts Name	Drawing No.	Type(Maker)	Q'ty	Note	Rev.No.
1	10379408	Wheel Cover	1233106 D		1		2944
2	10556932	Button Head Screw		M6X30	9		
3		Gas Spring		0820 (TAKACHIHO)	2		2979
4	10557207	Snap Pin		8	4		
5	10555901	Washer		M8	8		
6	10557148	Pull		A42-A-3 (TAKIGEN)	1		2103
7	10557119	Truss Head Screw		M8X10	2		
8	10557140	Stopper		EH1001 (BSIE)	3		2103
9	10557216	Nut		M6 TYPE-3	3		
10	10556623	Spring Support	1232072 A		1		
11	10556908	Hex Soc Cap Screw		M6X20	2		
12	10556653	LS Dog	1233103		1		1787
13	10564119	Button Head Screw		M6X14	2		2003
14	10556806	LS Bracket	1233111 A		1		1787
15	10556131	Limit Switch		ZC-N2255 (OMRON)	1		1564
16	10567321	Hex Soc Cap Screw		M4X30	2		1787
17	10556908	Hex Soc Cap Screw		M6X20	2		1564
18	10557011	Washer		M6	2		1564

From Serial No.50330004 and after

Index	Parts Number	Parts Name	Drawing No.	Type(Maker)	Q'ty	Note	Rev.No.
19	10556664	Sticker (Guide Bracket)	1233107		1		
20	10556735	Switch Setting Plate	1233108		1		
21	10556656	Packing	1233109		1		
22	10340019	Truss Head Screw		M6X12	4		
23	10557028	Push Button Switch		AH165-TFW11 (FUJI)	2		1624
24	10557029	Push Button Switch		AH165-TLG11AA3 (GREEN) (FUJI)	1		1624
25	10557152	Connector		NC-1 (NIKKO)	1		
26	10557161	Vinyl Cable		VCT 0.75MM2X4CX4M	1		
27	10379407	Front Cover	1233105 B		1		2849
28	10340019	Truss Head Screw		M6X12	4		
29	10556812	Washer	1260097		4		
30	10556666	Seal Mark	1280163 B		1		
31	10379409	Legend Plate	1234877		1		
32	10322102	Drive Rivet		D2.5X5	4		

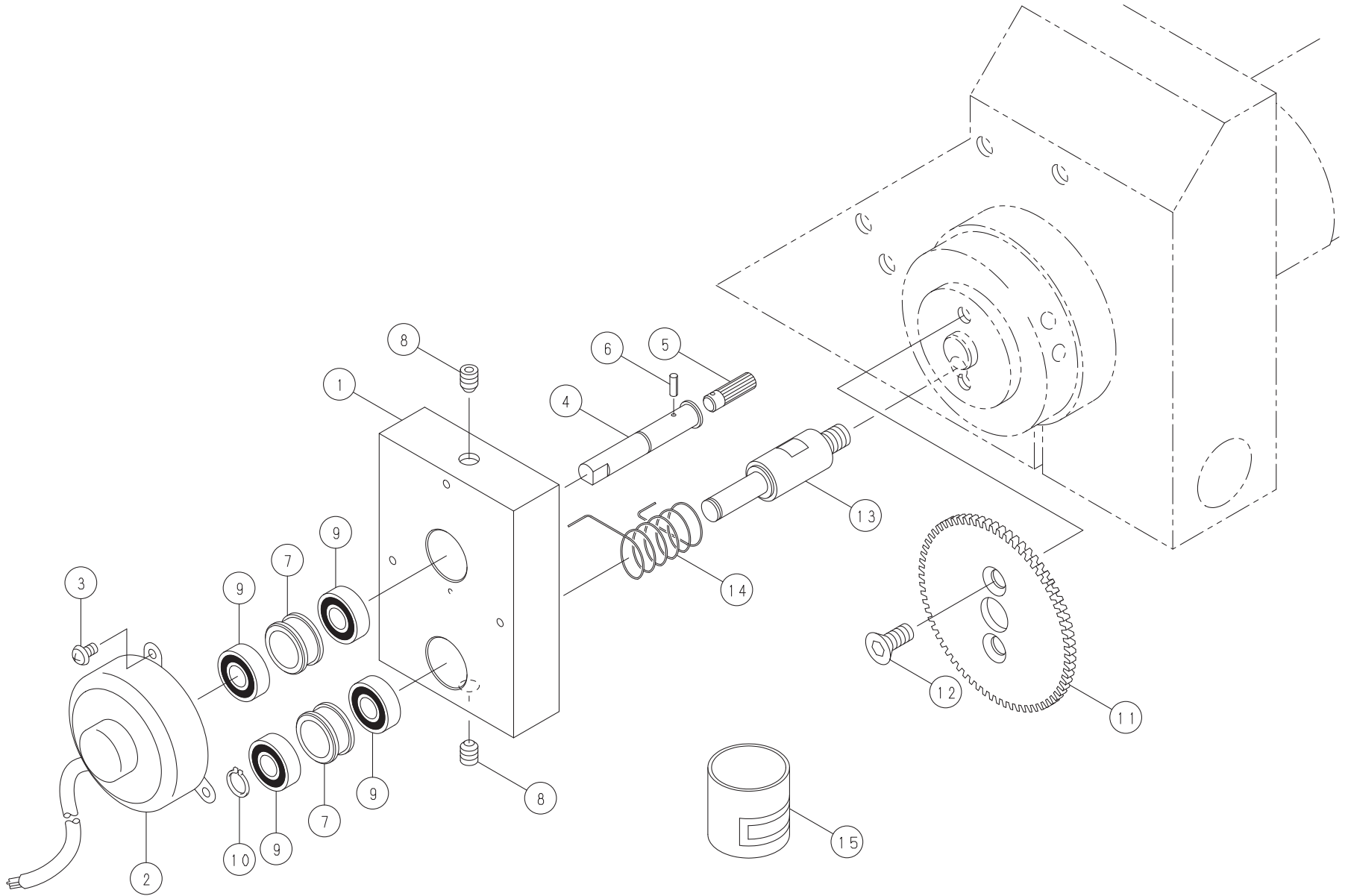
07

From Serial No.50330004 and after

## Drive Wheel (4)

UNIT NO. 07  
Drive Wheel (4)

From serial No. 50330004 and after



From Serial No.50330004 and after

Index	Parts Number	Parts Name	Drawing No.	Type(Maker)	Q'ty	Note	Rev.No.
1	10556846	Encoder Holder	1107026		1		
2	10376214	Encoder	7920786		1		2489
3	10371849	Pan Head Screw		M3X5	3		
4	10556849	Shaft	1107027		1		
5	10556842	Gear (Small)	1107024 B		1		2861
6	10375162	Spring Pin		2X6	1		
7	10556839	Collar	1107023 A		2		
8	10372208	Socket Set Screw		M6X6	2		
9	10557104	Bearing		698ZZ	4		
10	10363167	Stop Ring (for Shaft)		STW-8	2		
11	10556843	Gear (Large)	1107025 D		1		
12	44553526	Countersink Head Socket Screw		M6X10	2		
13	10556835	Hinge Shaft	1107021 A		1		
14	10556836	Torsion Spring	1107022 A		1		
15		Amada Gear Oil		EP-220 2L (AMADA)	1	OPTION	





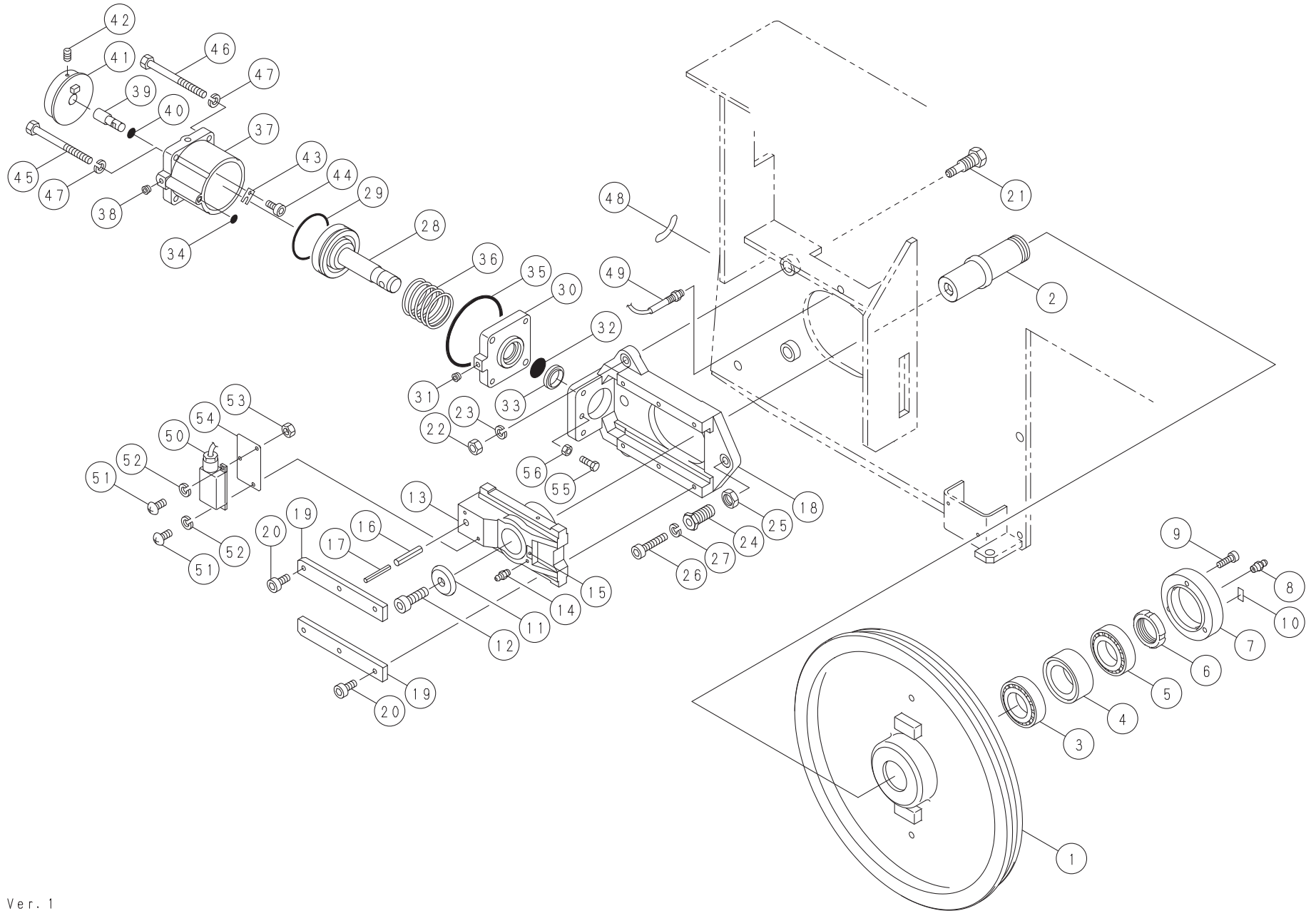
08

From Serial No.50330004 and after

## Driven Wheel (1)

UNIT NO. 08  
Driven Wheel (1)

From serial No. 50330004 and after



From Serial No.50330004 and after

Index	Parts Number	Parts Name	Drawing No.	Type(Maker)	Q'ty	Note	Rev.No.
1	10379410	Idle Wheel	1233153 D		1		2288
2	10558045	Third Shaft	1233154 A		1		
3	10558406	Taper Roller Bearing		30210	1		
4	10558009	Bearing Collar	1233155		1		
5	10558407	Taper Roller Bearing		32210	1		
6	10558417	Fine U-nut		AN10	1		
7	10558015	Bearing Cap	1260155 B		1		1801
8	10558721	Grease Nipple		A-M6X1 (KURITA)	1		
9	10569012	Hex Soc Cap Screw		M8X25	4		
10	10558341	Sticker (Grease)	0852250		1		
11	10558039	Washer	0601903 A		1		
12	10558428	Hex Soc Cap Screw		M16X50	1		
13	10558303	Slide Piece	1230182 A		1		1561
14	10558721	Grease Nipple		A-M6X1 (KURITA)	1		
15	10558341	Sticker (Grease)	0852250		1		
16	10558527	Spring Pin		D12X60	1		
17	10326004	Spring Pin		D8X60	1		
18	10557935	Tension Body	1230183 E		1		1561

From Serial No.50330004 and after

Index	Parts Number	Parts Name	Drawing No.	Type(Maker)	Q'ty	Note	Rev.No.
19	10558231	Guide Plate	1230204 B		2		1052
20	10559920	Hex Soc Cap Screw		M8X30	6		
21	10558203	Reamer Bolt	1230184 B		2		
22	10570307	Nut		M14	2		
23	10570314	Spring Washer		M14	2		
24	10558122	Adjusting Bolt	0601892 A		1		
25	10558116	Adjustable Nut	0800113		1		
26	10565916	Hex Soc Cap Screw		M12X70	1		1870
27	10557018	Spring Washer		M12	1		
28	10558315	Piston	1231736		1		
29	10567707	O Ring		P-85	1		
30	10557944	Cylinder Cap	1231735		1		
31	10558626	Plug (for Hydraulic)		PT1/8	1		
32	10558609	O Ring		P-32	1		
33	10558402	Dust Seal		FD1870AO(DKI32,44,7,10) (NOK)	1		
34	10560007	O Ring		P-9	1		
35	10556104	O Ring		G-90	1		
36	10557936	Tension Cylinder Spring	1230191		1		

From Serial No.50330004 and after

Index	Parts Number	Parts Name	Drawing No.	Type(Maker)	Q'ty	Note	Rev.No.
37	10557955	Cylinder	1231737		1		
38	10558626	Plug (for Hydraulic)		PT1/8\$	1		
39	10558061	Rotary Valve	1230188 B		1		1995
40	10558608	O Ring		P-11	1		
41	10558048	Valve Lever	1233157		1		
42	10561621	Socket Set Screw		M6X10 DOG END	1		
43	10558068	Stopper Plate	1230190		1		
44	10558429	Hex Soc Cap Screw		M6X14	1		
45	10325832	Bolt		M10X110	2		
46	10325833	Bolt		M10X130	2		
47	10558513	Spring Washer		M10	4		
48	10557941	Sticker (Tension)	1230192 B		1		2004
49	10558622	Proximity Switch		TL-XP2 (OMRON)	1		
50	10558621	Limit Switch		ZL-15GL (OMRON)	1		
51	10322226	Pan Head Screw		M6X12	3		1563
52	10558512	Spring Washer		M6	3		1563
53	10555322	Nut		M6	1		1563
54	10558344	LS Setting Plate	1280168 A		1		1562

From Serial No.50330004 and after

Index	Parts Number	Parts Name	Drawing No.	Type(Maker)	Q'ty	Note	Rev.No.
55	10325724	Bolt		M10X30 ALL THREAD	1		1562
56	10558420	Nut		M10	1		1562

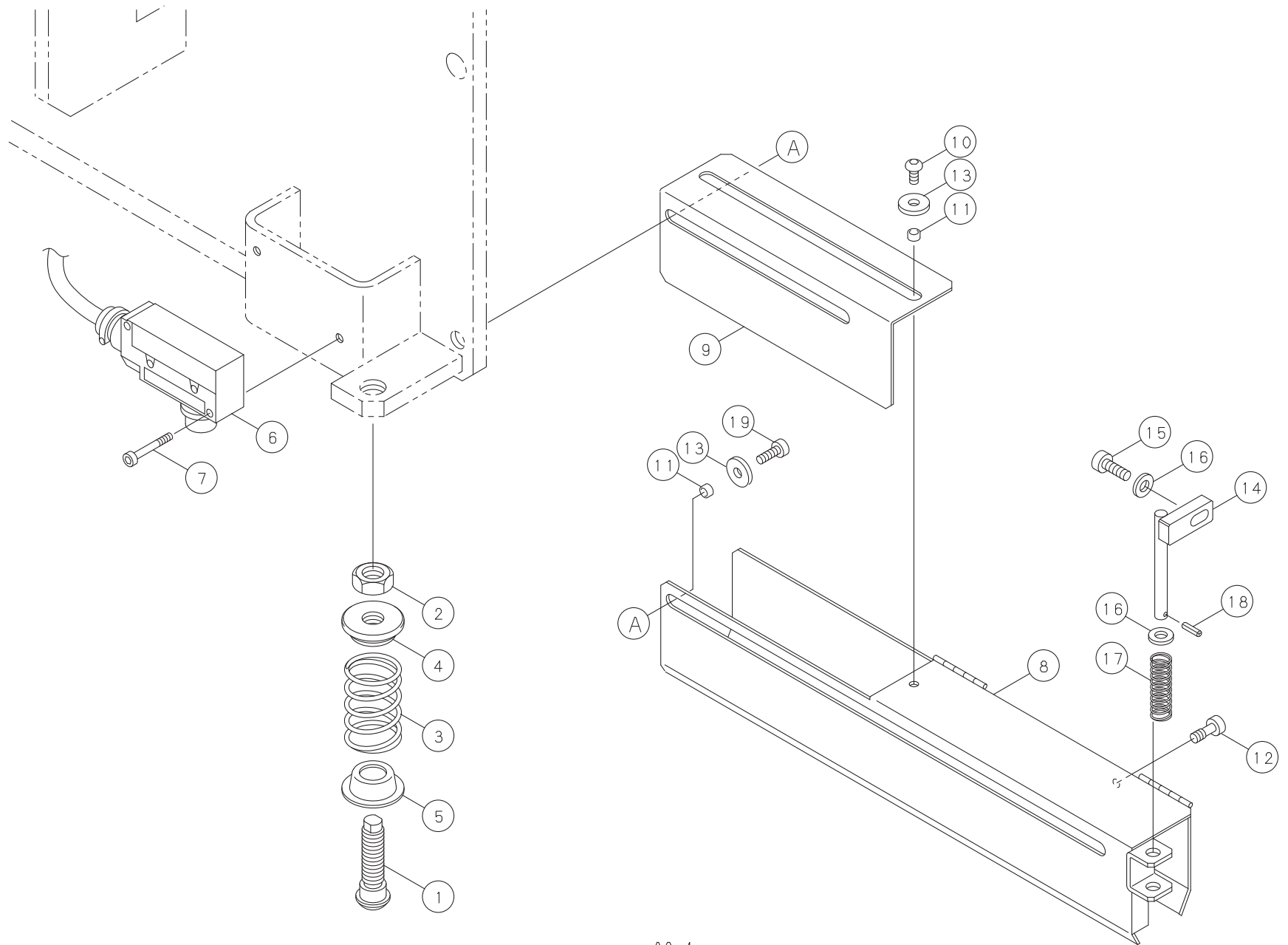
09

From Serial No.50330004 and after

## Driven Wheel (2)

UNIT NO. 09  
Driven Wheel (2)

From serial No. 50330004 and after





From Serial No.50330004 and after

Index	Parts Number	Parts Name	Drawing No.	Type(Maker)	Q'ty	Note	Rev.No.
1	10558119	Stopper Bolt	7023479 B		1		
2	10323102	Nut		M14 TYPE-3	1		
3	10558103	Spring	7023480		1		
4	10558118	Stopper Nut	7023481		1		
5	10558106	Spring Support	7023482		1		
6	10558623	Limit Switch		ZV2-N-2 (OMRON)	1		
7	10359528	Hex Soc Cap Screw		M5X35	2		
8	10379411	Blade Guard	1233159 B		1		2099
9		Upper Shield	1233169		1		
10	10328359	Button Head Screw		M6X12	1		
11	10558338	Collar	1233165 B		2		
12	10558123	Hex Soc Cap Screw	1200256 A		1		
13	10558038	Washer	1233546 A		2		
14	10558335	Spring Guide	1233164 A		1		
15	10555628	Hex Soc Cap Screw		M8X20	1		
16	10555901	Washer		M8	1		
17	10558104	Feedback Spring	0654330 A		1		
18	10331237	Spring Pin		D3X14	1		

From Serial No.50330004 and after

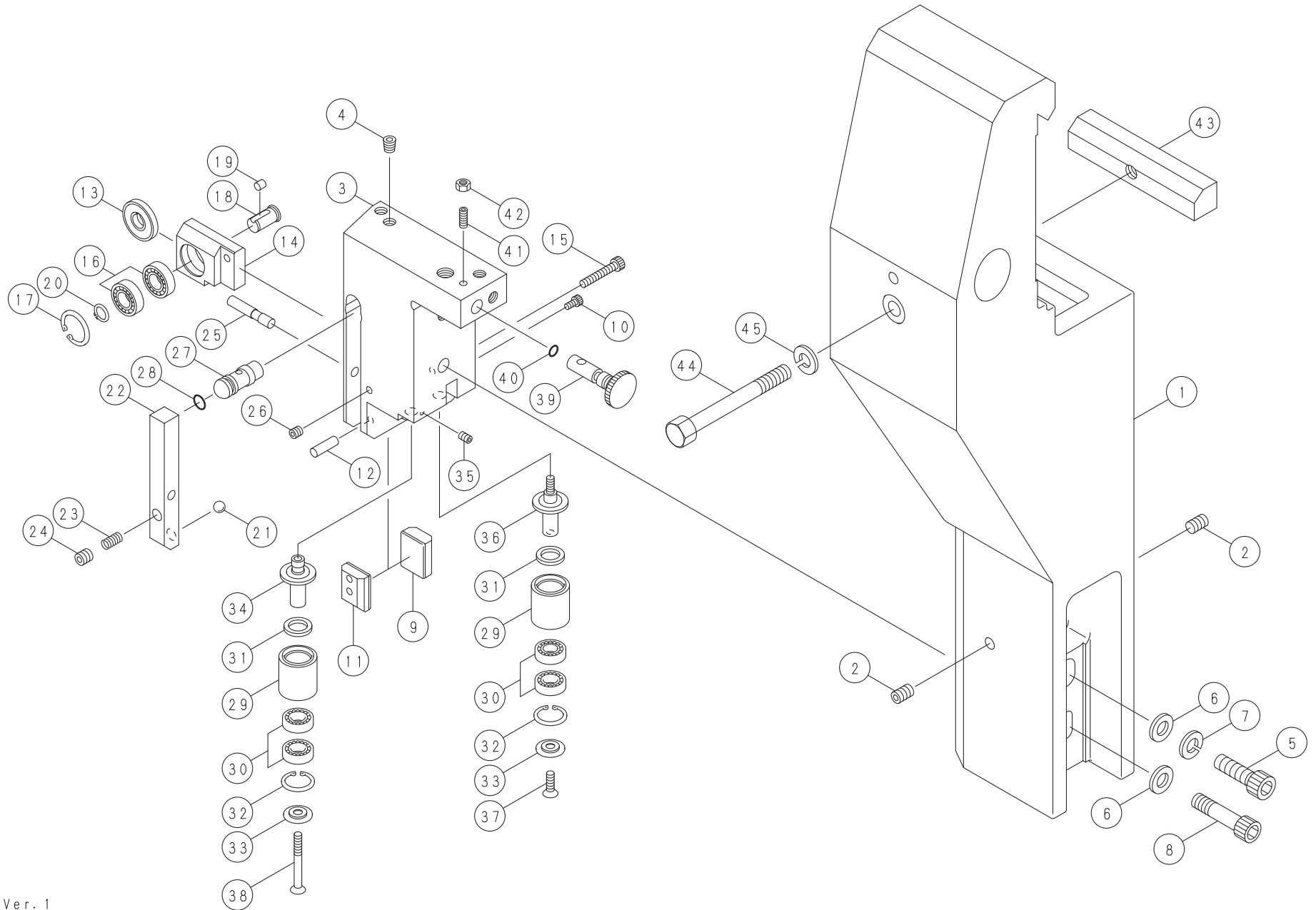
Index	Parts Number	Parts Name	Drawing No.	Type(Maker)	Q'ty	Note	Rev.No.
19	10556908	Hex Soc Cap Screw		M6X20	1		

From Serial No.50330004 and after

## Blade Guide (1)

UNIT NO. 10  
Blade Guide (1)

From serial No.50330004 and after



From Serial No.50330004 and after

Index	Parts Number	Parts Name	Drawing No.	Type(Maker)	Q'ty	Note	Rev.No.
1	10559028	Guide Bracket (R)	1233181 G		1		2303
2	10328211	Socket Set Screw		M10X15 FLAT END	2		
3	10559128	Insert Holder (R) 500	1233187 F		1		2101
4	10558626	Plug		1/8\$	4		1949
5	10559924	Hex Soc Cap Screw		M12X50	1		
6	10557012	Washer		M12	2		
7	10557018	Spring Washer		M12	1		
8	10558202	Reamer Bolt	1230243 A		1		
9	10559329	Fixed Insert (500)	1233188 A		2		
10	10343101	Hex Soc Cap Screw		M5X14	4		
11	10559330	Movable Insert (500)	1233189 B		2		
12	10559727	Clamp Pin	1233170 B		4		1970
13	10559211	Backup Roller	1233190 B		2		02564
14	10559043	Back-up Holder (R)	1233191 D		1		1943
15	10569011	Hex Soc Cap Screw		M6X40	1		
16	10564006	Ball Bearing		6001DDU (NSK)	2		
17	10557108	Snap Ring		RTW-28 (OCHIAI)	2		
18	10376219	Backup Roller Shaft	1233232 C		2		02564

From Serial No.50330004 and after

Index	Parts Number	Parts Name	Drawing No.	Type(Maker)	Q'ty	Note	Rev.No.
19	10559227	Key	1233943		2		02564
20	10557105	Snap Ring		STW-12 (OCHIAI)	2		1949
21	10560219	Steel Ball		13/32	2		
22	10559427	Seesaw Lever	1233233 C		2		1902
23	10559057	Lever Return Spring	1233234 B		3		1695
24	10328210	Socket Set Screw		M10X10 FLAT END	3		
25	10559729	Lever (R)	1233235		1		
26	10561623	Socket Set Screw		M6X6 CUP END	1		
27	10559763	Piston	1233236		3		
28	10560009	O Ring		P-12	3		
29	10375302	Bearing Collar	1233920 B		3		02490
30	10375307	Ball Bearing		NAG4901UU (IKO)	6		02490
31	10375308	Needle Bearing Seal		DS15223 (IKO)	3		02490
32	44611107	Snap Ring		RTW-24	3		02490
33	10375305	Bearing Cap	1233923 B		3		02490
34	10375304	Roller Shaft	1233922 C		1		02490
35	10565923	Socket Set Screw		M4X6 CUP END	1		
36	10375303	Bearing Shaft	1233921 C		2		02490

From Serial No.50330004 and after

Index	Parts Number	Parts Name	Drawing No.	Type(Maker)	Q'ty	Note	Rev.No.
37	10376215	Countersink Head Socket Screw		M6X16	2		02490
38	10376218	Bolt	1233924 C		1		02490
39	10376216	Coolant Cock	1233241 E		2		2707
40	10560007	O Ring		P-9	2		
41	10326109	Socket Set Screw		M6X16 DOG END	2		
42	10555322	Nut		M6	2		
43	10376217	Slide Chip(R)	1233641		1		2707
44	10369313	Bolt		M12X110	1		1452
45	10557018	Spring Washer		M12	1		1859



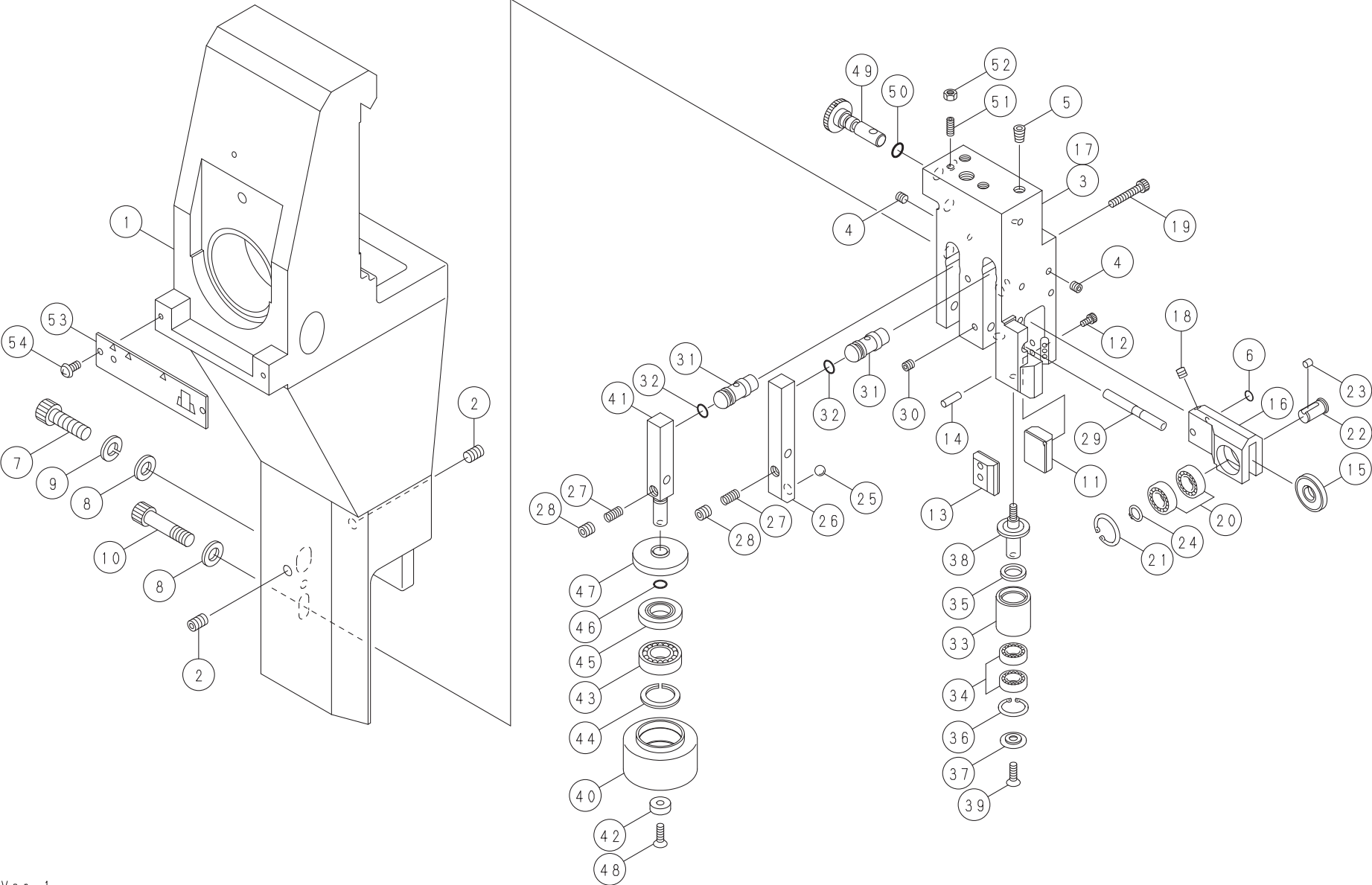


From Serial No.50330004 and after

## Blade Guide (2)

UNIT NO. 11  
Blade Guide (2)

From serial No. 50330004 and after



From Serial No.50330004 and after

Index	Parts Number	Parts Name	Drawing No.	Type(Maker)	Q'ty	Note	Rev.No.
1	10379412	Guide Bracket (L)	1233201 I		1		2707
2	10328211	Socket Set Screw		M10X15 FLAT END	2		
3	10559127	Insert Holder (L) 500	1233203 G		1		2220
4	10322119	Socket Set Screw		M6X6 FLAT END	6		
5	10558626	Plug		PT1/8\$	5		
6	10560007	O Ring		P-9	1		
7	10559921	Hex Soc Cap Screw		M12X40	1		
8	10557012	Washer		M12	2		
9	10557018	Spring Washer		M12	1		
10	10558202	Reamer Bolt	1230243 A		1		
11	10559329	Fixed Insert (500)	1233188 A		2		
12	10343101	Hex Soc Cap Screw		M5X14	4		
13	10559330	Movable Insert (500)	1233189 B		2		
14	10559727	Clamp Pin	1233170 B		4		1970
15	10559211	Backup Roller	1233190 B		2		02564
16	10559047	Back-up Holder (L)	1233242 F		1		1970
17	10560007	O Ring		P-9	1		
18	10322119	Socket Set Screw		M6X6 FLAT END	1		

From Serial No.50330004 and after

Index	Parts Number	Parts Name	Drawing No.	Type(Maker)	Q'ty	Note	Rev.No.
19	10561523	Hex Soc Cap Screw		M6X35	1		
20	10564006	Ball Bearing		6001DDU (NSK)	2		
21	10557108	Snap Ring		RTW-28 (OCHIAI)	2		
22	10376219	Backup Roller Shaft	1233232 C		2		02564
23	10559227	Key	1233943		2		02564
24	10557105	Snap Ring		STW-12 (OCHIAI)	2		1949
25	10560219	Steel Ball		13/32	2		
26	10559427	Seesaw Lever	1233233 C		2		1902
27	10559057	Lever Return Spring	1233234 B		3		1695
28	10328210	Socket Set Screw		M10X10 FLAT END	3		
29	10559728	Lever Pin (L)	1233204		1		
30	10561623	Socket Set Screw		M6X6 CUP END	1		
31	10559763	Piston	1233236		3		
32	10560009	O Ring		P-12	3		
33	10375302	Bearing Collar	1233920 B		3		02490
34	10375307	Ball Bearing		NAG4901UU (IKO)	6		02490
35	10375308	Needle Bearing Seal		DS15223 (IKO)	3		02490
36	44611107	Snap Ring		RTW-24	3		02490

From Serial No.50330004 and after

Index	Parts Number	Parts Name	Drawing No.	Type(Maker)	Q'ty	Note	Rev.No.
37	10375305	Bearing Cap	1233923 B		3		02490
38	10375303	Bearing Shaft	1233921 C		2		02490
39	10376215	Countersink Head Socket Screw		M6X16	2		02490
40	10379413	Roller (500)	1233929 C		1		2707
41	10375310	Roller Shaft	1233925 B		1		1696
42	10375313	Stopper Plate	1233930 B		1		02490
43	10560128	Ball Bearing		1301	1		
44	10348108	Locating Snap Ring		BR-37 (NTN)	1		02490
45	52314015	Oil Seal		AE0838EO (NOK)	1		02490
46	10560007	O Ring		P9 (NOK)	1		
47	10376221	Bearing Retainer	1233926 B		1		2707
48	44553525	Bolt		M6X16	1		02490
49	10376216	Coolant Cock	1233241 E		2		2707
50	10560007	O Ring		P-9	2		
51	10326109	Socket Set Screw		M6X16 DOG END	2		
52	10555322	Nut		M6	2		
53	10379414	Pointer (500)	1243054		1		
54	10560120	Pan Head Screw		M6X10	2		2707

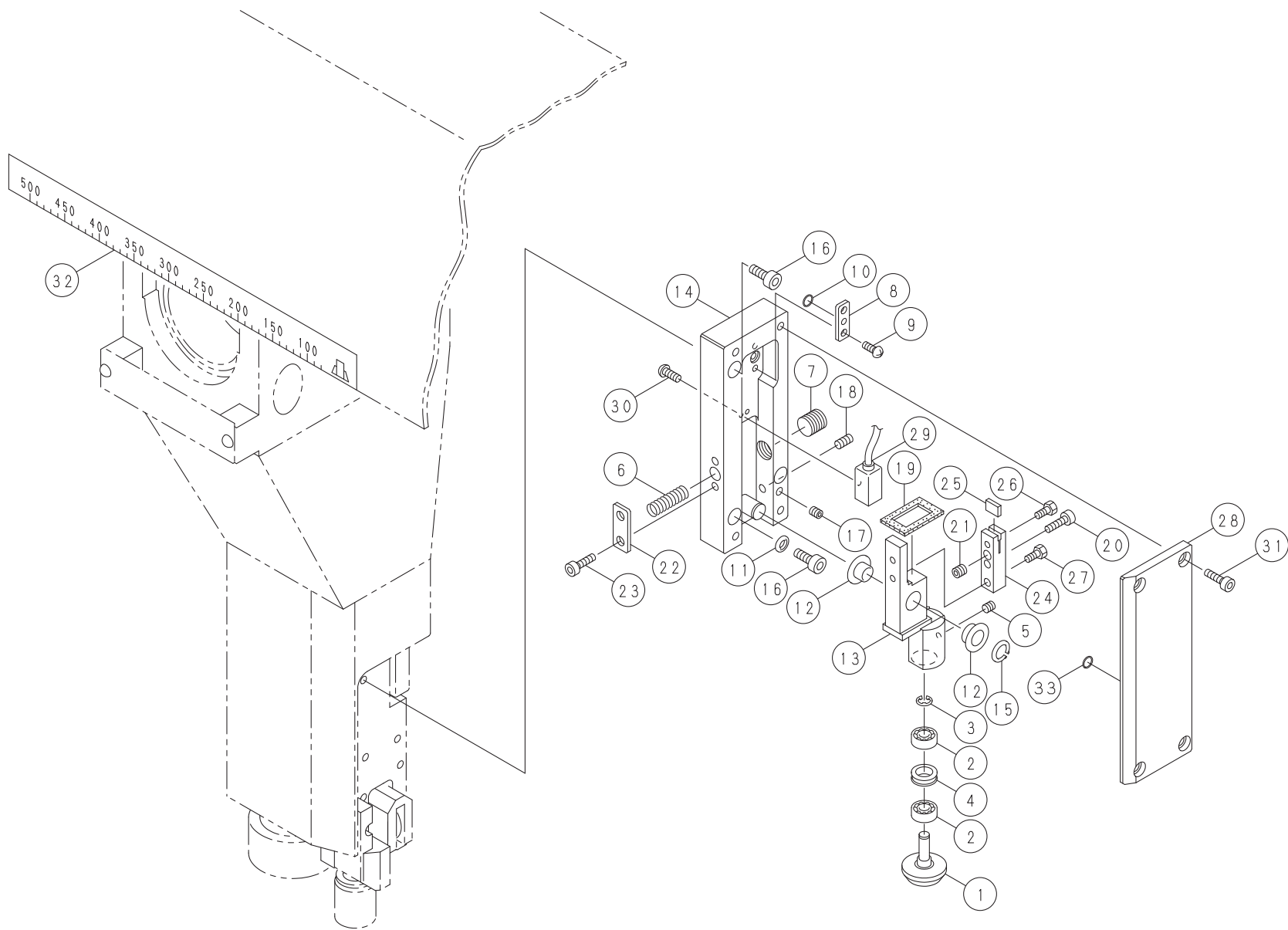


From Serial No.50330004 and after

## Blade Guide (3)

UNIT NO. 12  
Blade Guide (3)

From serial No. 50330004 and after





From Serial No.50330004 and after

Index	Parts Number	Parts Name	Drawing No.	Type(Maker)	Q'ty	Note	Rev.No.
1	10559210	Roller	1233173		1		
2	10560130	Ball Bearing		6962RD (KOYO)	2		
3	10560212	E-ring		ETWJ-4	1		
4	10559052	Shaft Support Fixed Ring	1233192		1		
5	10560034	Socket Set Screw		M4X4 CUP	1		
6	10559056	Spring	1233193		1		
7	10338107	Socket Set Screw		M12X12 FLAT END	1		1970
8	10559061	Seal Plate	1233194 A		1		1668
9	10560119	Pan Head Screw		M4X8	2		1668
10	10560016	O Ring		P-4	1		1668
11	10560531	Seal Washer		WF5 (NOK)	2		1970
12	10560458	Oilless Metal Bushing		MB1006-18FDU	2		1693
13	10559735	Detector Body	1233195 C		1		1970
14	10559044	Detector Holder	1233196 F		1		2220
15	10560216	Snap Ring		STW-10	1		1693
16	10343101	Hex Soc Cap Screw		M5X14	3		1949
17	10557819	Socket Set Screw		M5X6 FLAT END	1		1693
18	10356512	Socket Set Screw		M5X10 DOG END	1		1694

From Serial No.50330004 and after

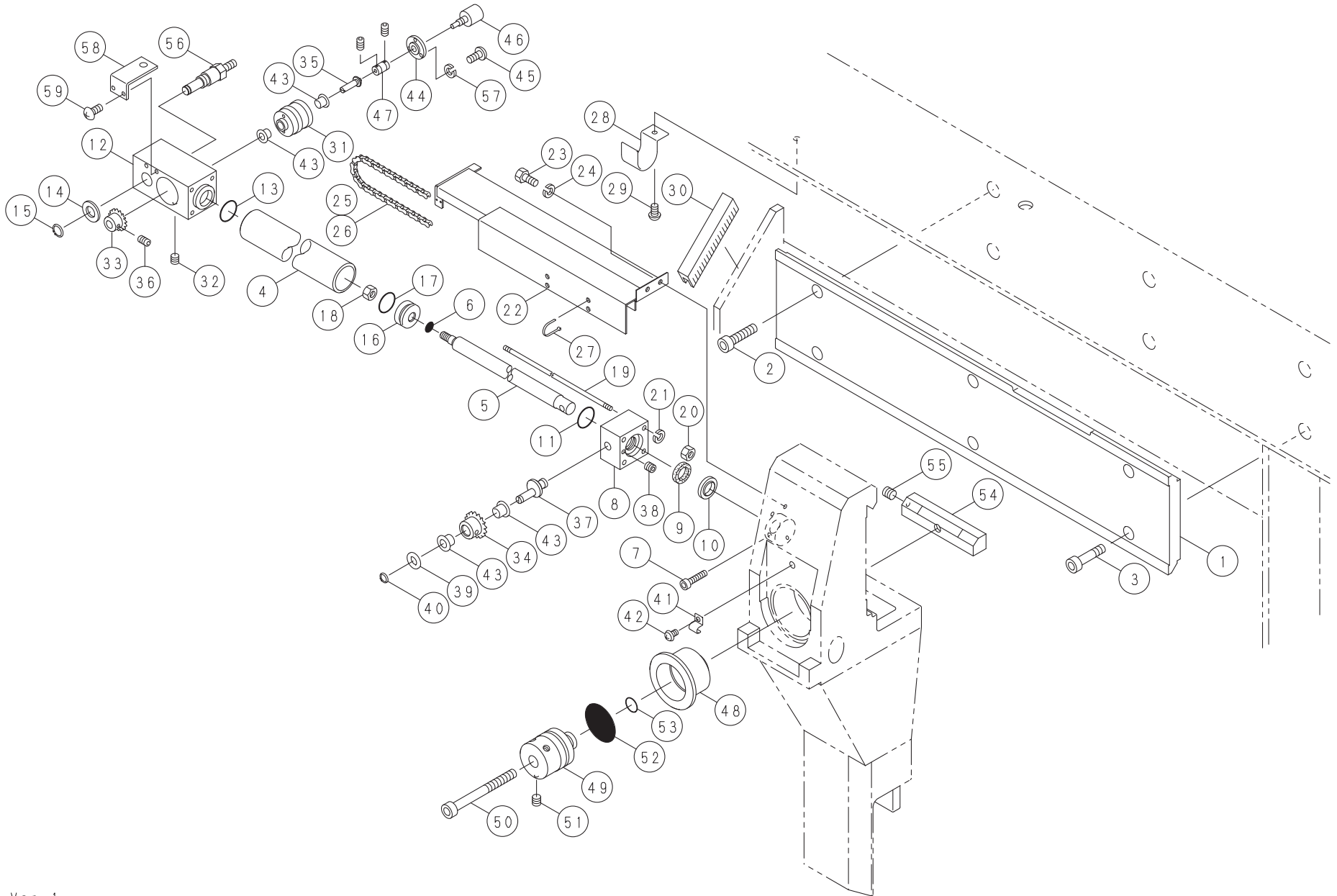
Index	Parts Number	Parts Name	Drawing No.	Type(Maker)	Q'ty	Note	Rev.No.
19	10559739	Seal Rubber	1233197 A		1		1668
20	10559925	Hex Soc Cap Screw		M4X15	1		1668
21	10561623	Socket Set Screw		M6X6 CUP END	1		1668
22	10559039	Spring Retainer	1233179		1		1949
23	10343101	Hex Soc Cap Screw		M5X14	2		1949
24	10559045	Magnet Holder	1233198 B		1		1970
25	10560312	Magnet		PG9010 (SONY)	1		
26	10560229	Bolt		M4X8	1		1669
27	10560231	Bolt		M4X15	1		1669
28	10559702	Holder Cover	1233199 D		1		1949
29	10560430	Detector Head		PH-11 (SONY)	1		
30	10560122	Pan Head Screw		M2.6X0.45PX8L	2		1694
31	10343101	Hex Soc Cap Screw		M5X14	4		1694
32	10379415	Scale (500)	1243051		1		
33	10560016	O Ring		P4	1		1694

From Serial No.50330004 and after

## Blade Guide (4)

UNIT NO. 13  
Blade Guide (4)

From serial No. 50330004 and after



From Serial No.50330004 and after

Index	Parts Number	Parts Name	Drawing No.	Type(Maker)	Q'ty	Note	Rev.No.
1	10559007	Guide Bar 500	1233213 A		1		
2	44028616	Hex Soc Cap Screw		M12X30	4		2907
3	10558202	Reamer Bolt	1230243 A		2		
4	10559725	Cylinder (500)	1233216		1		
5	10559815	Cylinder Rod (500)	1233219 A		1		
6	10560007	O Ring		P-9 (NOK)	1		
7	10335502	Hex Soc Cap Screw		M8X35	1		
8	10559704	Rod Cover	1233261 A		1		1681
9	10560439	U-Packing		SKY-20 (SAKAGAMI)	1		
10	10560443	Dust Seal		DKI20 (NOK)	1		
11	10560018	O Ring		G-30	1		
12	10559705	Head Cover	1233262 A		1		1681
13	10560018	O Ring		G-30	1		
14	10560501	Washer		M16	1		1681
15	10555721	Snap Ring		STW-16	1		1681
16	10559765	Piston	1233263		1		
17	10560015	O Ring		P-29	1		
18	10331251	U-Nut		M10	1		1859

From Serial No.50330004 and after

Index	Parts Number	Parts Name	Drawing No.	Type(Maker)	Q'ty	Note	Rev.No.
19	10559620	Tie Bolt (500)	1233222		4		
20	10555322	Nut		M6	4		
21	10558512	Spring Washer		M6	4		
22	10559445	Cylinder Cover (500)	1233225 B		1		
23	10325406	Bolt		M6X10	2		
24	10558512	Spring Washer		M6	2		
25	10560322	Chain		RS25 169LINKS (TUBAKIMOTO)	1		
26	10560462	Coupling Link		RS25 (TUBAKIMOTO)	2		
27	10560435	Band		CV-100	2		
28	10560112	Saddle		CH-31 (DAIWA)	4		
29	10560116	Truss Head Screw		M6X8	4		
30	10560456	Universal Bushing		125L KG-132 (KITAGAWA)	1		2039
31	10559046	Potentiometer Holder	1233227 B		1		1828
32	10561623	Socket Set Screw		M6X6 CUP END	1		
33	10560407	Sprocket		RS-25 12Z-TYPE1 (TUBAKIMOTO)	1		
34	10560408	Sprocket		RS-25 12Z-TYPE2 (TUBAKIMOTO)	1		
35	10559903	Shaft (1)	1260259 A		1		1673
36	10560034	Socket Set Screw		M4X4 CUP END	1		

From Serial No.50330004 and after

Index	Parts Number	Parts Name	Drawing No.	Type(Maker)	Q'ty	Note	Rev.No.
37	10559759	Shaft (2)	1233229 C		1		1833
38	10561623	Socket Set Screw		M6X6 CUP END	1		
39	10555901	Washer		M8	1		1674
40	10560217	Snap Ring		STW-6	1		1833
41	10560113	Saddle		CH-6 (DAIWA)	1		1675
42	10555917	Pan Head Screw		M5X8	1		1675
43	10560457	Oilless Metal Bushing		MB-0806-15FDU	4		1675
44	10559556	Flange	1260257		1		1675
45	10560119	Pan Head Screw		M4X8	3		1676
46	10560402	Potentiometer		10KOHM MF220 (NIHON SERV)	1		1859
47	10560520	Coupling		D5-D6 (LINE SEIKI)	1		1676
48	10559807	Cylinder	1233245		1		
49	10559764	Piston	1233246		1		
50	10310370	Hex Soc Cap Screw		M12X120	1		
51	10561623	Socket Set Screw		M6X6 CUP END	1		
52	10560017	O Ring		P-49	1		
53	10560010	O Ring		P-21	1		
54	10559164	Slide Chip	1233247		1		2707

From Serial No.50330004 and after

Index	Parts Number	Parts Name	Drawing No.	Type(Maker)	Q'ty	Note	Rev.No.
55	10561623	Socket Set Screw		M6X6 CUP END	1		
56	10379416	Cylinder Foot	1235315		1		2907
57	10560425	Spring Washer		M4	3		1676
58	10559248	Connector (L)	1233260 A		1		1681
59	10569006	Truss Head Screw		M6X10	2		

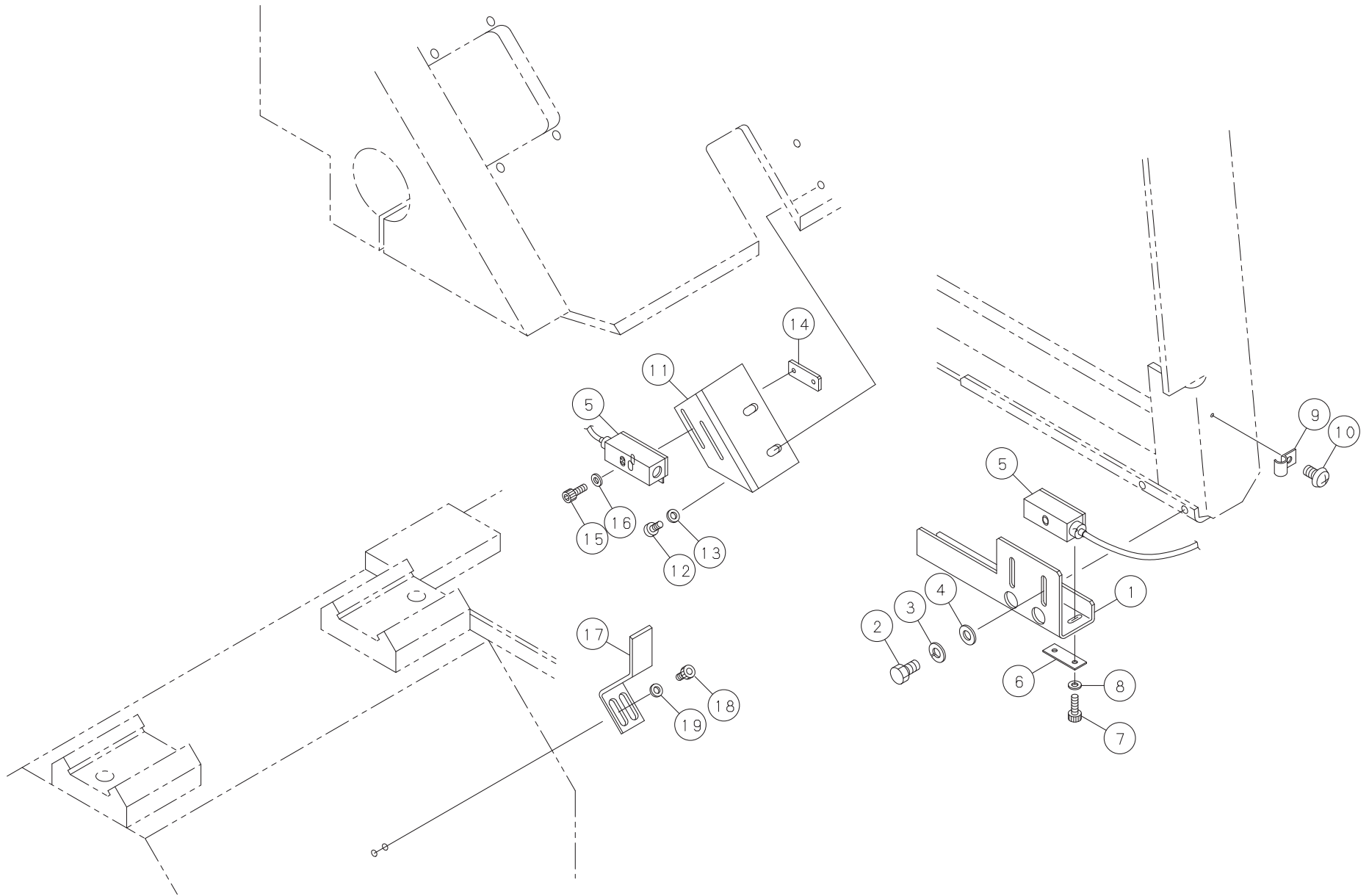


From Serial No.50330004 and after

## Blade Guide (5)

UNIT NO. 14  
Blade Guide (5)

From serial No. 50330004 and after



From Serial No.50330004 and after

Index	Parts Number	Parts Name	Drawing No.	Type(Maker)	Q'ty	Note	Rev.No.
1	10379417	Bracket	1235296 A		1		
2	10325407	Bolt		M6X12	2		
3	10558512	Spring Washer		M6	2		
4	10557011	Washer		M6	2		
5	10375343	Photo Switch	7920720		1		
6	10375340	Plate Washer	1235307		1		
7	74159710	Hex Soc Cap Screw		M4X12	2		
8	74300510	Washer		M4	2		
9	10562039	Saddle		PZ0104 (DAIWA)	1		
10	10325312	Pan Head Screw		M6X10	1		
11	10375338	Bracket	1235298		1		
12	10555626	Hex Soc Cap Screw		M6X12	2		
13	10557011	Washer		M6	2		
14	10375341	Plate Nut	1235308		1		
15	74374410	Hex Soc Cap Screw		M4X12	2		
16	74300510	Washer		M4	2		
17	10375339	Bracket	1235299		1		
18	10555626	Hex Soc Cap Screw		M6X12	2		

From Serial No.50330004 and after

Index	Parts Number	Parts Name	Drawing No.	Type(Maker)	Q'ty	Note	Rev.No.
19	10557011	Washer		M6	2		

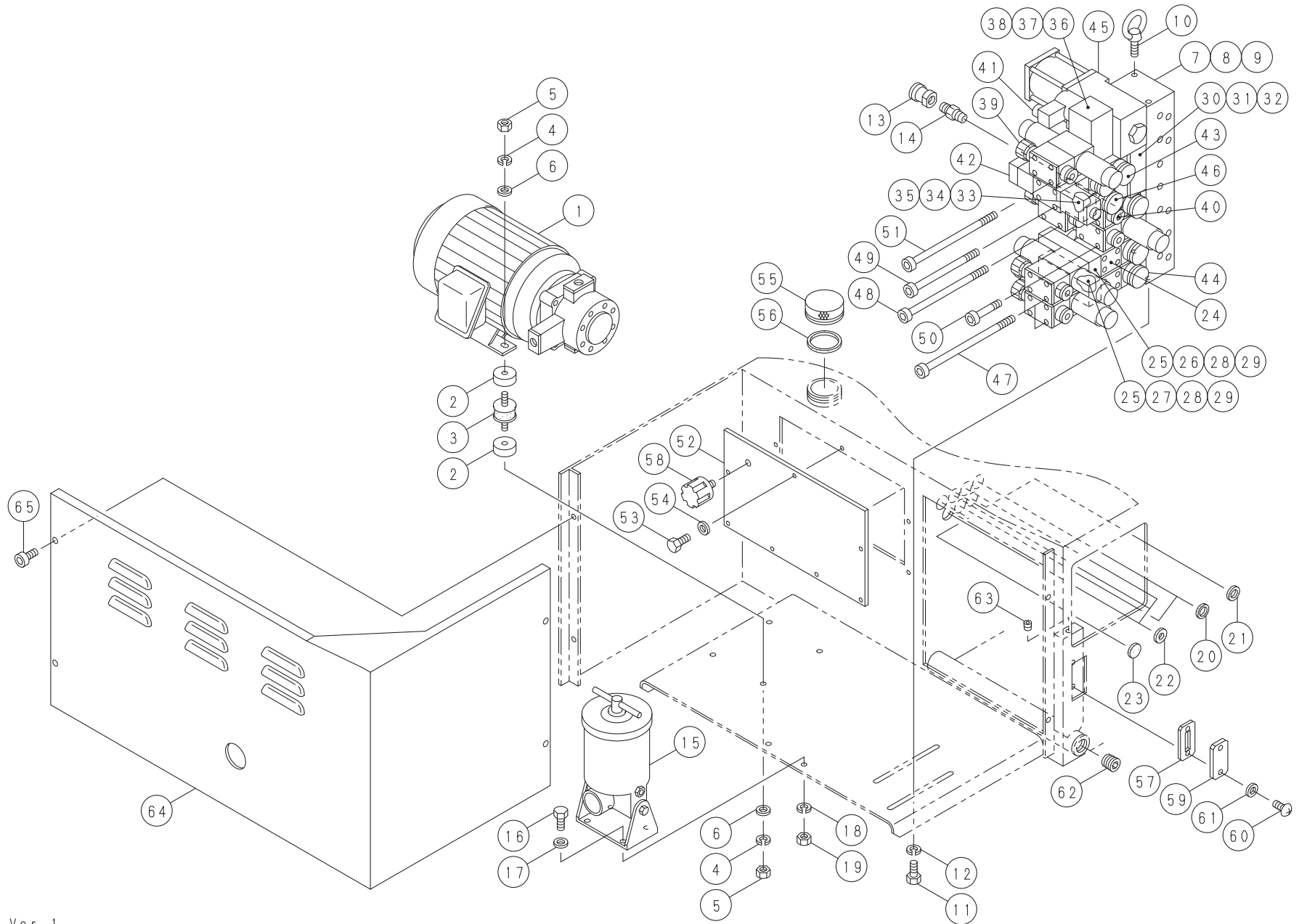
15

From Serial No.50330004 and after

Hydraulic (1)

UNIT NO. 15  
Hydraulic (1)

From serial No. 50330004 and after



From Serial No.50330004 and after

Index	Parts Number	Parts Name	Drawing No.	Type(Maker)	Q'ty	Note	Rev.No.
1	10561266	Hydraulic Pump & Motor	7921583 A		1		2326
2	10561248	Spacer	1233289		8		1894
3	10561730	Rubber Mount		KA-40-A (KURASHIKI)	4		
4	10557824	Spring Washer		M8	8		
5	10555323	Nut		M8	8		
6	10555901	Washer		M8	8		
7	10376226	Manifold	1233291 E		1		2684
8	10561510	Plug		1/4\$ FOR HYDRAULIC	25		
9	10561508	Plug		1/2\$	2		
10	10562206	Eye Bolt		M8	2		
11	10555801	Bolt		M8X20	2		1909
12	10557824	Spring Washer		M8	2		1909
13	10561917	Plug		2P (NITTO)	1		1894
14	10555810	Nipple		PT1/4	1		1894
15	10376233	Oil Cleaner	7921612		1		
16	10555801	Bolt		M8X20	2		
17	10555901	Washer		M8	2		
18	10001521	Spring Washer		M8	2		

From Serial No.50330004 and after

Index	Parts Number	Parts Name	Drawing No.	Type(Maker)	Q'ty	Note	Rev.No.
19	10371804	Nut		M8	2		
20	10376229	Bushing	1280331		2		02837
21	10376230	Bushing	1280332		1		02837
22	10376231	Bushing	1280333		3		02837
23	10376232	Bushing	1280334		1	BLIND	02837
24	10376234	Pressure Switch	7921613		2		2538
25	10561120	Sub Plate (With Orifice)	1233278 B		2		2286
26	10561210	Orifice 3.2	1233279		1		
27	10561211	Orifice 2.3	1233280		1		
28	10561344	Socket Set Screw	1233281		4		
29	10560007	O Ring		1AP-9	8		
30	10561130	Sub Plate (1)	1233282 A		1		1910
31	10558626	Plug		PT1/8	3		
32	10560007	O Ring		1AP-9	8		
33	10561131	Sub Plate (2)	1233283 A		1		1619
34	10558626	Plug		PT1/8	2		
35	10560007	O Ring		1AP-9	4		
36	10561116	Setting Plate	1233284 B		1		2102



From Serial No.50330004 and after

Index	Parts Number	Parts Name	Drawing No.	Type(Maker)	Q'ty	Note	Rev.No.
37	10558626	Plug		PT1/8	4		1619
38	10560007	O Ring		1AP-9	4		
39	10561816	Solenoid Valve		SWG-O2N-3G-RZ-D2-11 (YUATU SEIK)	4		
40	10561815	Solenoid Valve		SWG-O2N-2AX-RZ-D2-11 (YUATU SEIK)	2		
41	10561814	Solenoid Valve		SC-T01-AR-D2-10 (FUJIKOSHI)	1		
42	10561115	Solenoid Valve	792104609		1		
43	10561444	Pilot Check Valve		CPM-02-W2-20 (YUATU SEIK)	1		
44	10561443	Pilot Check Valve		CPM-02-A2-20 (YUATU SEIK)	2		
45	10375445	Filter	7921582 C		1		2538
46	10561752	Reducing Valve		RDM-02-P35-20 (YUATU SEIK)	1		
47	10561526	Hex Soc Cap Screw		M5X180	8		1910
48	10561524	Hex Soc Cap Screw		M5X160	4		
49	10372068	Hex Soc Cap Screw		M5X130	4		
50	10372009	Hex Soc Cap Screw		M5X50	8		
51	10561525	Hex Soc Cap Screw		M5X170	4		1910
52	10376225	Oil Tank Cover	1233285 B		1		2538
53	10567601	Bolt		M6X20	7		2538
54	10561740	Seal Washer		WF6-13-1.2 (NOK)	7		2149

From Serial No.50330004 and after

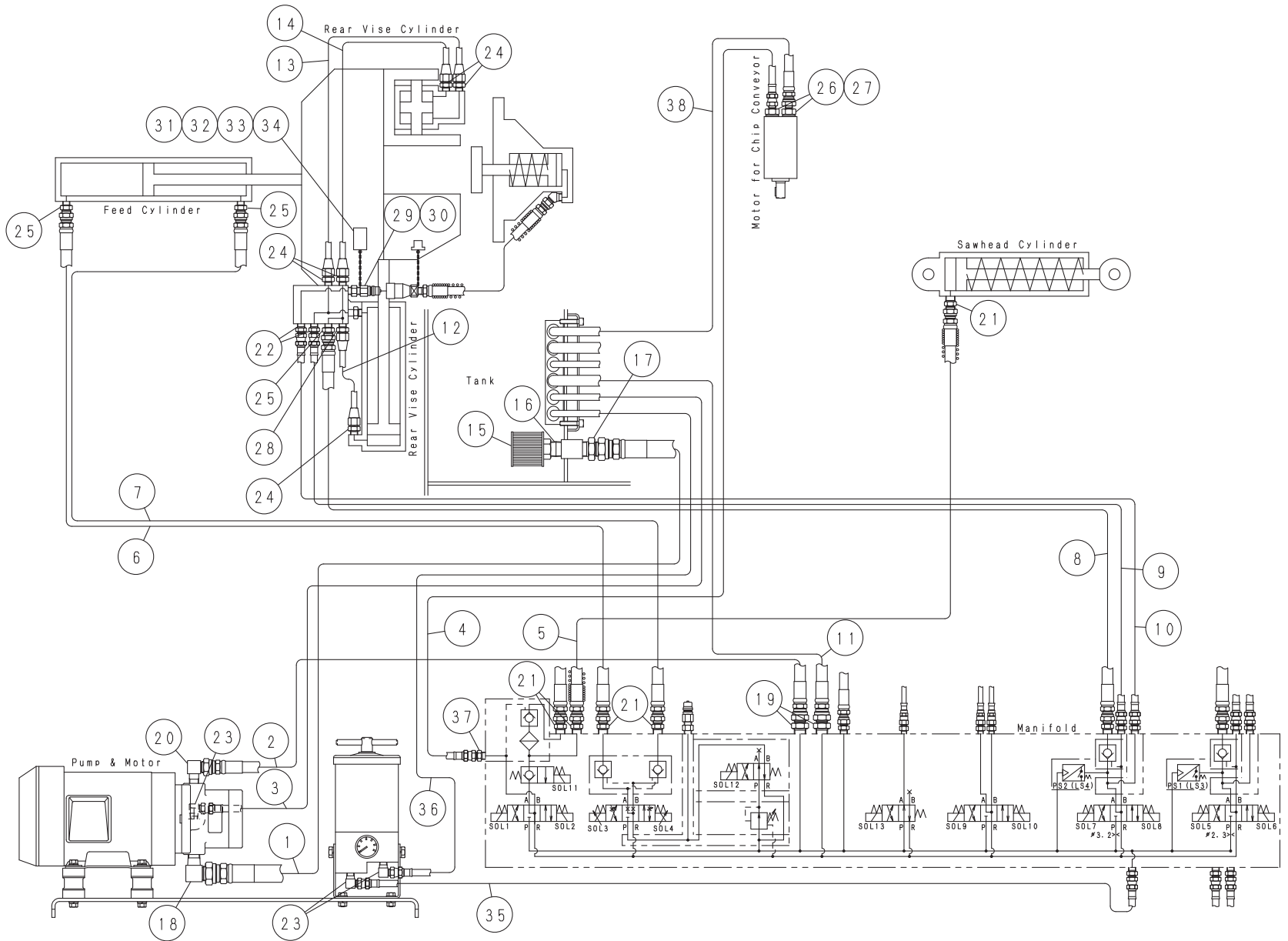
Index	Parts Number	Parts Name	Drawing No.	Type(Maker)	Q'ty	Note	Rev.No.
55	10561744	Cap	1233753		1		2538
56	10376228	Seal Rubber	1233754		1		2538
57	10561348	Level Gauge	1105018		1		1455
58	10376224	Air Breather		UC-SAB-1563-40 (UCC)	1		2538
59	10561339	Rubber Sheet	1105019		1		1455
60	10567506	Truss Head Screw		M6X20	2		1455
61	10561739	Vinyl Washer		D6XD12XT1 (HASHIMOTO)	2		1455
62	10561509	Plug		PT3/4	1		1455
63	10561510	Plug		PT1/4	1		
64	10376227	Hydraulic Unit Cover	1233329 B		1		2538
65	74302815	Hex Soc Cap Screw		M6X20	4		2538

From Serial No.50330004 and after

## Hydraulic (2)

Unit No. 16  
Hydraulic (2)

From serial No. 50330004 and after



From Serial No.50330004 and after

Index	Parts Number	Parts Name	Drawing No.	Type(Maker)	Q'ty	Note	Rev.No.
1	10561843	Hydraulic Hose	1233301 C		1		1809
2	10561059	Hydraulic Hose	1233302 B		1		1894
3	10561844	Hydraulic Hose	1233303 B		1		2293
4	10376277	Hydraulic Hose	1233304 C		1		2293
5	10561063	Hydraulic Hose	1233308 B		1		2139
6	10561066	Hydraulic Hose	1233311 A		1		
7	10561067	Hydraulic Hose	1233312 A		1		1808
8	10561161	Hydraulic Hose	1233319 A		1		1808
9	10561845	Hydraulic Hose	1233320 B		1		2293
10	10561846	Hydraulic Hose	1233321 B		1		2293
11	10561167	Hydraulic Hose	1233325 A		1		
12	10561866	Flare Pipe	1233807 B		1		2361
13	10561867	Flare Pipe	1233808 A		1		1815
14	10561868	Flare Pipe	1233809 A		1		1815
15	10379485	Suction Filter		SFT-06-150W 150MESH (TAISEI)	1		2538
16	10561426	Barrel Nipple		PT3/4	1		
17	10561439	Male-male Adapter		3001F12 (BSIE)	1		
18	10561448	90 Degrees Elbow		3021 PF3/4XPT1/2 (BSIE)	1		1894

From Serial No.50330004 and after

Index	Parts Number	Parts Name	Drawing No.	Type(Maker)	Q'ty	Note	Rev.No.
19	10561438	Male-male Adapter		3001F08 (BSIE)	2		1895
20	10561447	90 Degrees Elbow		3021 PF1/2XPT3/8 (BSIE)	1		1895
21	10561437	Male-male Adapter		3001F06 (BSIE)	7		1745
22	10561436	Male-male Adapter		3001F04 (90 Degrees Sheet) (BSIE)	10		2538
23	10563020	90 Degrees Elbow		3021-04 (90 Degrees Sheet) (BSIE)	4		2538
24	10561001	L-Nipple	1074496		11		
25	10561002	Hose Nipple	1230356		4		
26	10375468	Adapter	1233292		2		2293
27	10561361	Copper Washer	1280322		2		
28	10561003	Orifice Nipple Assy	1280325		1		
29	10561917	Plug		2P (NITTO)	2		1895
30	10555810	Nipple		PT1/4	2		1895
31	10555467	Rubber Cap	0636993		2		
32	10561550	Chain		#80X150L	2		
33	10329431	Split Pin		D4X40	2		
34	10561756	Wire		SWM-B D1X70	2		
35	10376236	Hydraulic Hose	1233760		1		2538
36	10376237	Hydraulic Hose	1233761		1		2538

From Serial No.50330004 and after

Index	Parts Number	Parts Name	Drawing No.	Type(Maker)	Q'ty	Note	Rev.No.
37	10375469	Orifice Nipple	1233293		2		2293
38	10561848	Hydraulic Hose	1233305 B		1		2293



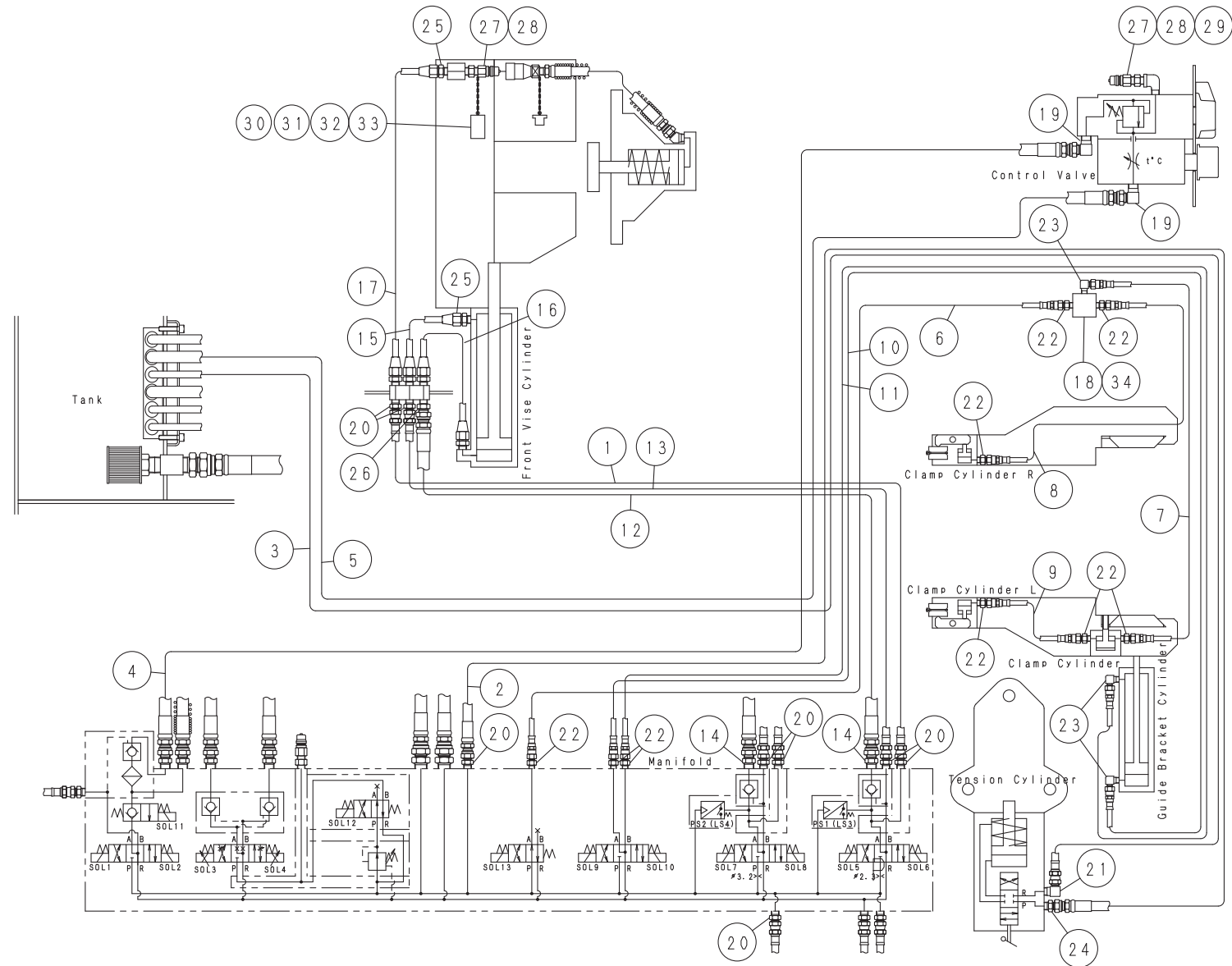


From Serial No.50330004 and after

## Hydraulic (3)

Unit No. 17  
Hydraulic (3)

From serial No. 50330004 and after



From Serial No.50330004 and after

Index	Parts Number	Parts Name	Drawing No.	Type(Maker)	Q'ty	Note	Rev.No.
1	10561166	Hydraulic Hose	1233324 B		1		2293
2	10561851	Hydraulic Hose	1233786 B		1		2293
3	10561852	Hydraulic Hose	1233787 B		1		2293
4	10561064	Hydraulic Hose	1233309 A		1		
5	10561065	Hydraulic Hose	1233310 B		1		1809
6	10561068	Hydraulic Hose	1233313 A		1		1808
7	10561158	Hydraulic Hose	1233314 A		1		1808
8	10561159	Hydraulic Hose	1233315 A		1		
9	10561160	Hydraulic Hose	1233316 A		1		
10	10561853	Hydraulic Hose	1233797 A		1		1810
11	10561854	Hydraulic Hose	1233798 A		1		1810
12	10561164	Hydraulic Hose	1233322 A		1		
13	10561165	Hydraulic Hose	1233323 B		1		2293
14	10561437	Male-male Adapter		3001F06 (BSIE)	7		1745
15	10561863	Flare Pipe	1233804 A		1		1815
16	10561864	Flare Pipe	1233805 A		1		1815
17	10561865	Flare Pipe	1233806 A		1		1815
18	10561310	Manifold	1233288 A		1		1749

From Serial No.50330004 and after

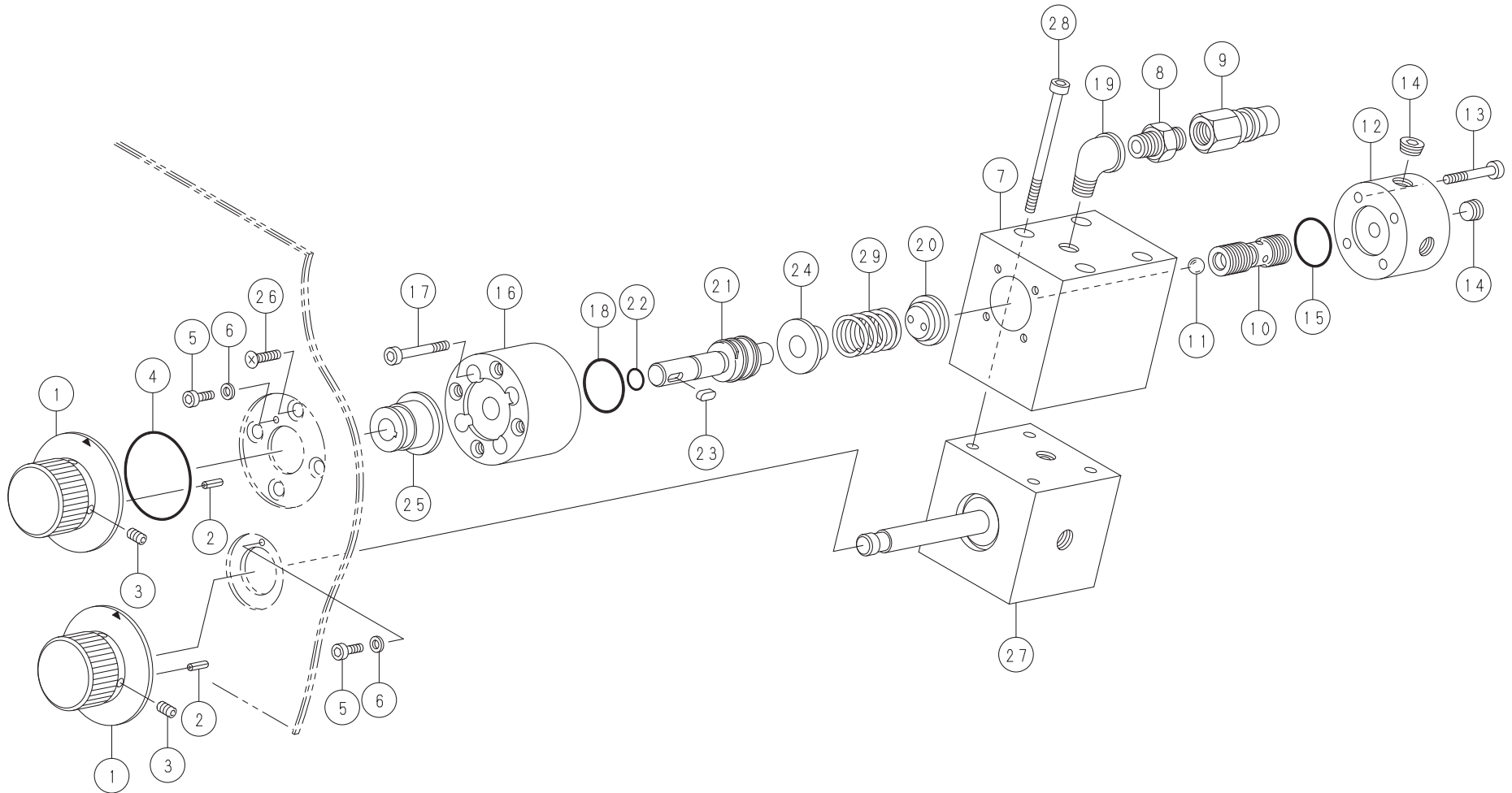
Index	Parts Number	Parts Name	Drawing No.	Type(Maker)	Q'ty	Note	Rev.No.
19	10561449	90 Degrees Elbow		3021-06 (BSIE)	2		1745
20	10561436	Male-male Adapter		3001F04 (90 Degrees Sheet) (BSIE)	10		2538
21	10563020	90 Degrees Elbow		3021-04 (90 Degrees Sheet) (BSIE)	4		2538
22	10561419	Male-male Adapter		3001F02 (BSIE)	9		1746
23	10561010	90 Degrees Elbow		3021-02 (BSIE)	3		
24	10375469	Orifice Nipple	1233293		2		2293
25	10561001	L-Nipple	1074496		11		
26	10561002	Hose Nipple	1230356		4		
27	10561917	Plug		2P (NITTO)	2		1895
28	10555810	Nipple		PT1/4	2		1895
29	10561450	Male-female 90° Elbow		PT1/4	1		1895
30	10555467	Rubber Cap	0636993		2		
31	10561550	Chain		#80X150L	2		
32	10329431	Split Pin		D4X40	2		
33	10561756	Wire		SWM-B D1X70	2		
34	10559923	Hex Soc Cap Screw		M6X50	2		1624

From Serial No.50330004 and after

## Hydraulic (4)

UNIT NO. 18  
Hydraulic (4)

From serial No. 50330004 and after



From Serial No.50330004 and after

Index	Parts Number	Parts Name	Drawing No.	Type(Maker)	Q'ty	Note	Rev.No.
1	10561244	Dial	1233287 A		2		02141
2	10329646	Spring Pin		D3X12	2		
3	10555822	Socket Set Screw		M6X8 CUP END	4		
4	10562416	O Ring		1AP-45	1		02141
5	10372064	Hex Soc Cap Screw		M3X5	2		02141
6	10561602	Washer		M3	2		02141
7	10561236	Body	1233847		1		02141
8	10555810	Nipple		1/4\$	1		
9	10561917	Plug		2P PT1/4\$ (NITTO)	1		
10	10561256	Spool	7023272		1		
11	10561618	Steel Ball		D5/16	1		
12	10561222	Head Cap	7023273		1		
13	10359528	Hex Soc Cap Screw		M5X35	4		
14	10561510	Plug		PT1/4\$	2		02141
15	10562417	O Ring		P-22	1		
16	10561227	End Cap	1230344		1		
17	10359529	Hex Soc Cap Screw		M5X40	4		
18	10558607	O Ring		G-25	1		

From Serial No.50330004 and after

Index	Parts Number	Parts Name	Drawing No.	Type(Maker)	Q'ty	Note	Rev.No.
19	10561451	Male-female Elbow		PT1/4	1		02141
20	10561118	Spring Plate	1230352		1		
21	10561343	Adjusting Screw	1230345		1		
22	10560007	O Ring		P-9	1		
23	10561735	Key		4X4X10L TYPE-2 DUUBLE ROUND	1		
24	10561215	Spring Support	1230346 A		1		
25	10561356	Collar	1230348 A		1		
26	10558441	Flat Head Screw		M6X12	4		
27	10561207	Flow Control Valve	792158601		1		
28	10561528	Hex Soc Cap Screw		M6X70	4		
29	10561124	Spring	1233846		1		

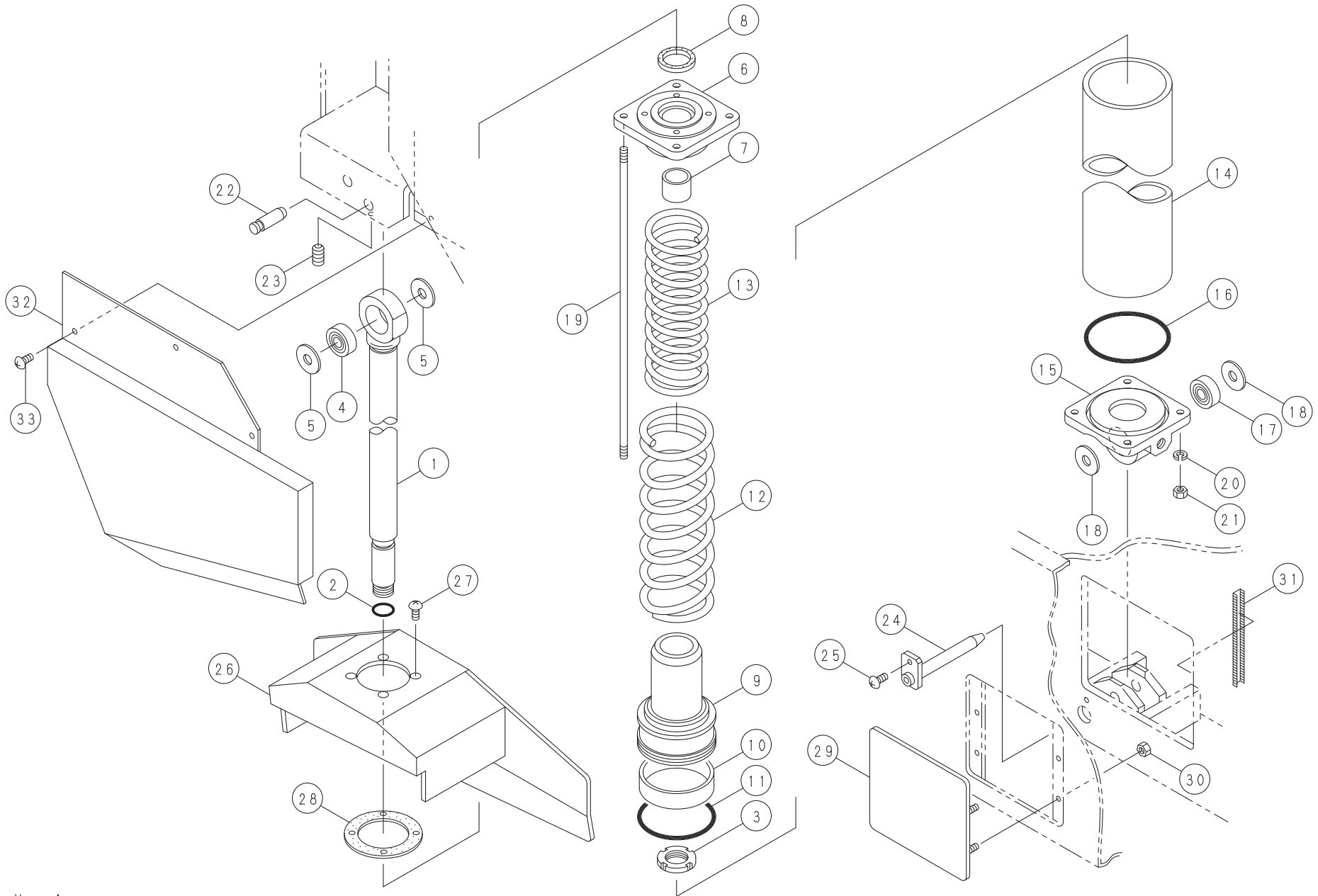


From Serial No.50330004 and after

# Sawhead Cylinder

UNIT NO. 19  
Sawhead Cylinder

From serial No. 50330004 and after



From Serial No.50330004 and after

Index	Parts Number	Parts Name	Drawing No.	Type(Maker)	Q'ty	Note	Rev.No.
1	10562814	Piston Rod	1233332 A		1		1709
2	10558612	O Ring		1AP-26	1		
3	10563329	Fine U-nut		AN06 (FUJI SEIMI)	1		
4	10563109	Ball Bearing		2303 (NSK)	1		
5	10563045	Bearing Retainer	0604338		2		
6	10562955	Upper Cylinder Cap	1230422 C		1		
7	10563315	Oilless Metal Bushing		MB4030DU (DAIDO)	1		
8	10563325	Dust Seal		SCB-40 (SAKAGAMI)	1		
9	10376289	Piston	1280392 B		1		
10	10563310	Wear Ring		SW-115 (SAKAGAMI)	1		
11	10563115	O Ring		1AP-105 (NOK)	1		
12	10562860	Swing Cylinder Spring (1)	1230433		1		1846
13	10562861	Swing Cylinder Spring (2)	1230434		1		1846
14	10562958	Cylinder	1233331		1		
15	10562956	Lower Cylinder Cap	1230426 F		1		
16	10563116	O Ring		1AG-115 (NOK)	1		
17	10563109	Ball Bearing		2303 (NSK)	1		
18	10563045	Bearing Retainer	0604338		2		

From Serial No.50330004 and after

Index	Parts Number	Parts Name	Drawing No.	Type(Maker)	Q'ty	Note	Rev.No.
19	10562964	Tie Rod	1233333		4		
20	10557018	Spring Washer		M12	4		
21	10555324	Nut		M12	4		
22	10562835	Hinge Shaft	1230437 A		1		
23	10555822	Socket Set Screw		M6X8 CUP END	1		
24	10562961	Flange Pin	1233335		1		
25	10340019	Truss Head Screw		M6X12	1		
26	10376240	Upper Cover	1233648		1		2707
27	10340019	Truss Head Screw		M6X12	4		
28	10562844	Packing	1233340		1		
29	10555452	Lower Cover	1233336 B		1		2149
30	10555222	Nut		M6 TYPE-1	4		
31	10563316	Universal Bushing		230L KG-132 (KITAGAWA)	4		2149
32	10562850	Apron	1233342 A		1		1846
33	10340019	Truss Head Screw		M6X12	3		

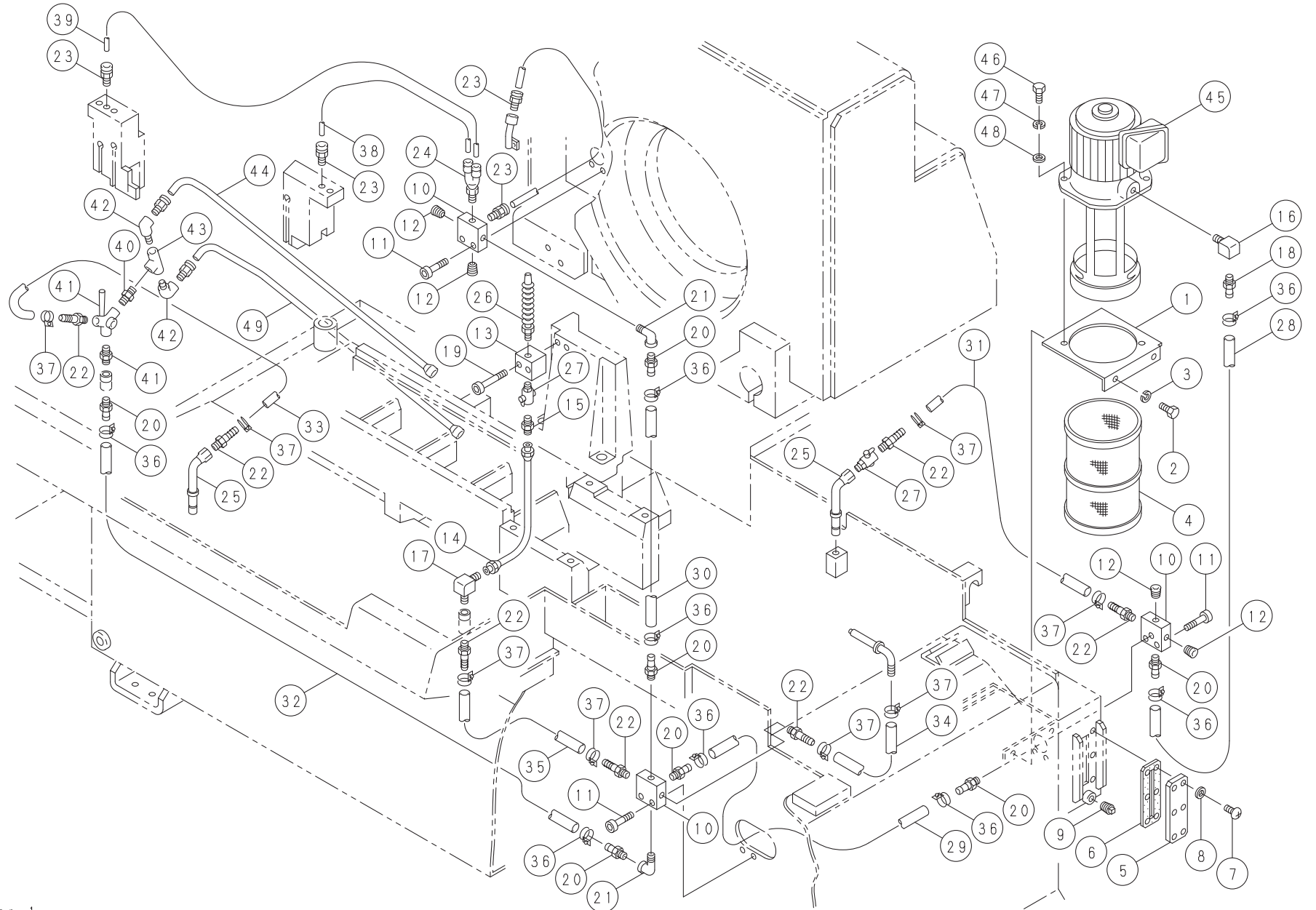
20

From Serial No.50330004 and after

## Cutting Fluid

UNIT NO. 20  
Cutting Fluid

From serial No. 50330004 and after



From Serial No.50330004 and after

Index	Parts Number	Parts Name	Drawing No.	Type(Maker)	Q'ty	Note	Rev.No.
1	10564561	Motor Base	1233362 D		1		1995
2	10372053	Bolt		M8X14	2		1879
3	10557824	Spring Washer		M8	2		1879
4	10564541	Bucket	1295265 B		1		
5	10564555	Level Gauge (Coolant)	1105020		1		2149
6	10564558	Rubber Sheet	1105021		1		2149
7	10567506	Truss Head Screw		M6X20	6		2149
8	10561739	Vinyl Washer		D6XD12XT1	6		2149
9	10564656	Plug		PT1/2	1		
10	10564518	Manifold	1233364		3		
11	10555637	Hex Soc Cap Screw		M6X30	6		
12	10564657	Plug		PT1/4 TYPE-1	4		1805
13	10564564	Nozzle Bracket	1233366 A		1		1803
14	10564567	Flare Pipe	1233367		1		1751
15	10561001	L-Nipple	1074496		1		1751
16	10564717	Male-female Elbow		LC3-3/8X1/2 (BAN)	1		
17	10561006	Elbow (L)	1105432		1		1751
18	10564537	Vinyl Hose Fitting	1106758		1		

From Serial No.50330004 and after

Index	Parts Number	Parts Name	Drawing No.	Type(Maker)	Q'ty	Note	Rev.No.
19	10310362	Hex Soc Cap Screw		M6X45	2		1911
20	10564536	Vinyl Hose Fitting	7023306		7		1803
21	10561451	Male-female Elbow		PT1/4	2		1804
22	10564535	3/8" Vinyl Hose Connector	0800087 A		7		
23	10564817	Connector		EC10-PT1/4 (NITTA)	3		1803
24	10564644	Y-joint		EY10-PT1/4 (NITTA)	1		1803
25	10564525	Nozzle	1280461 B		2		1914
26	10564516	Coolant Nozzle	7922584 A		1		1803
27	10559438	P-cock	1230258 A		2		1940
28	10564667	Tetron Braid Vinyl Hose		D22XD15X470L (HATSUKO)	1		1804
29	10564668	Tetron Braid Vinyl Hose		D22XD15X850L (HATSUKO)	1		1804
30	10564665	Tetron Braid Vinyl Hose		D22XD15X1300L (HATSUKO)	1		1804
31	10564663	Tetron Braid Vinyl Hose		D16XD10X2500L (HATSUKO)	1		1804
32	10564666	Tetron Braid Vinyl Hose		D22XD15X2700L (HATSUKO)	1		1804
33	10564662	Tetron Braid Vinyl Hose		D16XD10X2000L (HATSUKO)	1		1805
34	10564664	Tetron Braid Vinyl Hose		D16XD10X650L (HATSUKO)	1		1805
35	10564661	Tetron Braid Vinyl Hose		D16XD10X1050L (HATSUKO)	1		
36	10564652	Band For Hose		FOR D22	8		1805



From Serial No.50330004 and after

Index	Parts Number	Parts Name	Drawing No.	Type(Maker)	Q'ty	Note	Rev.No.
37	10555767	Band For Hose		FOR D16	7		1805
38	10564637	Nylon Flexible Tube		N5-4X10X7.5X1000L (NITTA)	1		1806
39	10564639	Nylon Flexible Tube		N5-4X10X7.5X3300L (NITTA)	1		
40	10555810	Nipple		PT1/4	2		2029
41	10564546	3-way Cock	0602267 B		1		
42	10564709	Elbow Nipple		KLN10-020N (IHARA)	2		2029
43	10561506	Tee		PT1/4	1		2029
44	10564551	Oil Pan Shower	1233378		1		2029
45	10564531	Coolant Pump	7920877 B		1		1947
46	10567601	Bolt		M6X20	2		1874
47	10558512	Spring Washer		M6	2		1879
48	10555901	Washer		M8	2		1879
49	10564553	Oil Pan Shower	1233371 A		1		2030

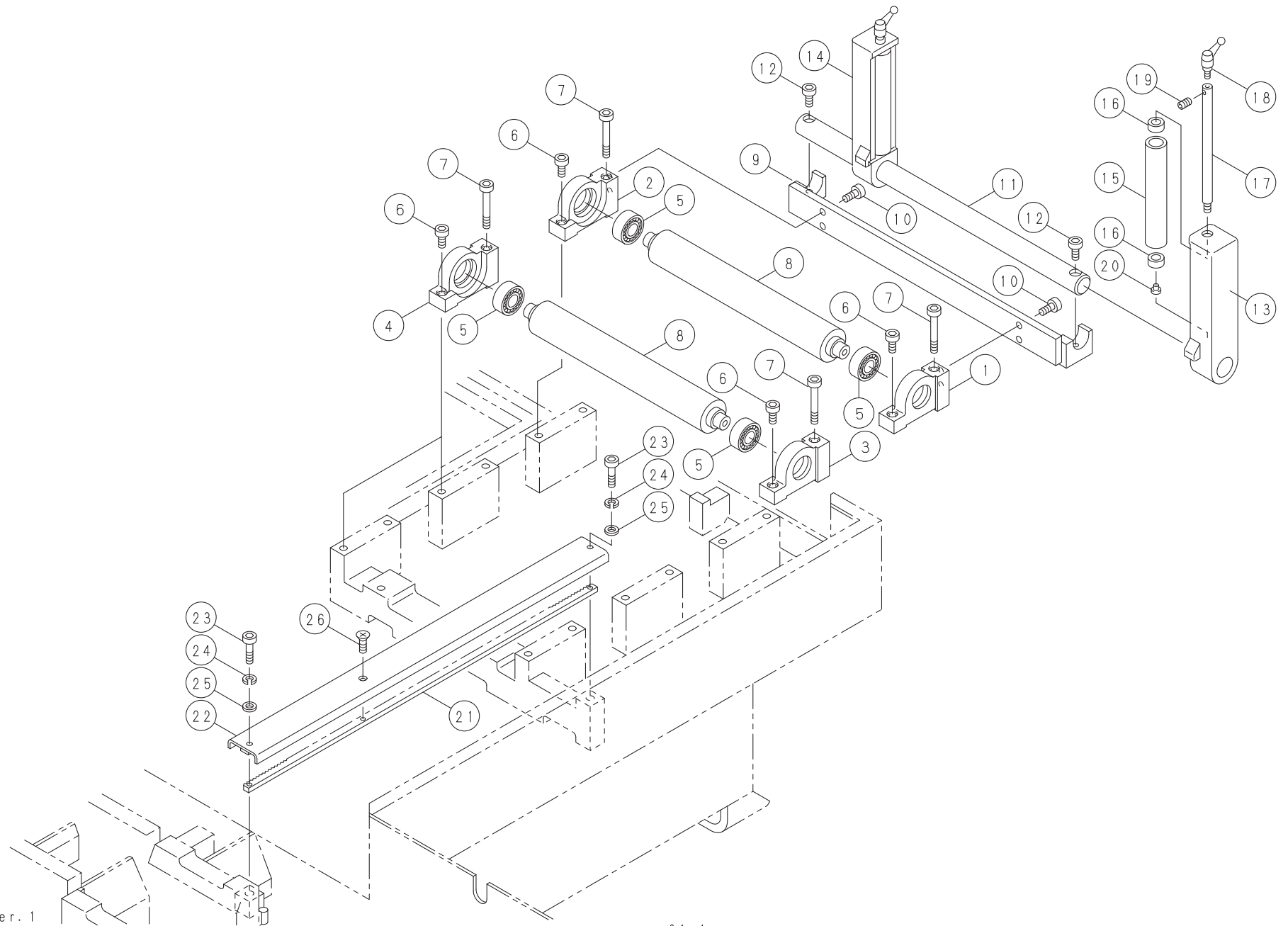


From Serial No.50330004 and after

## Work Feed (1)

UNIT NO. 21  
Work Feed (1)

From serial No. 50330004 and after



From Serial No.50330004 and after

Index	Parts Number	Parts Name	Drawing No.	Type(Maker)	Q'ty	Note	Rev.No.
1	10565665	Roller Bracket (R) Front	1233419		1		
2	10565666	Roller Bracket (L) Front	1233420		1		
3	10565667	Roller Bracket (R)	1233421		2		2149
4	10565668	Roller Bracket (L)	1233422		2		2149
5	10565723	Bearing		6306ZZ (NSK)	6		2149
6	74304917	Hex Soc Cap Screw		M12X40	6		2149
7	52108725	Hex Soc Cap Screw		M12X100	6		2149
8	10565658	Roller	1233075 C		3		1994
9	10565334	Support Bracket	1233423 B		1		2149
10	10565909	Hex Soc Cap Screw		M10X20	4		
11	10379418	Guide Bar	1233424 B		1		2149
12	10565913	Hex Soc Cap Screw		M12X30	2		1974
13	10565307	Roller Bracket (R)	1201409		1		
14	10565309	Roller Bracket (L)	1201410		1		
15	10565318	Roller	1201412		2		
16	10570214	Oilless Metal Bushing		MB1615DU	4		
17	10565410	Setting Bar	1201411 A		2		1658
18	10565829	Clamp Lever		KR8-15 (IMAO)	2		1656

From Serial No.50330004 and after

Index	Parts Number	Parts Name	Drawing No.	Type(Maker)	Q'ty	Note	Rev.No.
19	10565923	Socket Set Screw		M4X6 CUP END	2		
20	10565651	Lock Piece	0603312		2		
21	10565231	CP-Rack	1233396		1		
22	10565627	Rack Cover	1233397 A		1		1657
23	10555637	Hex Soc Cap Screw		M6X30	2		
24	10558512	Spring Washer		M6	2		
25	10557011	Washer		M6	2		
26	10334613	Flat Head Screw		M5X14	1		

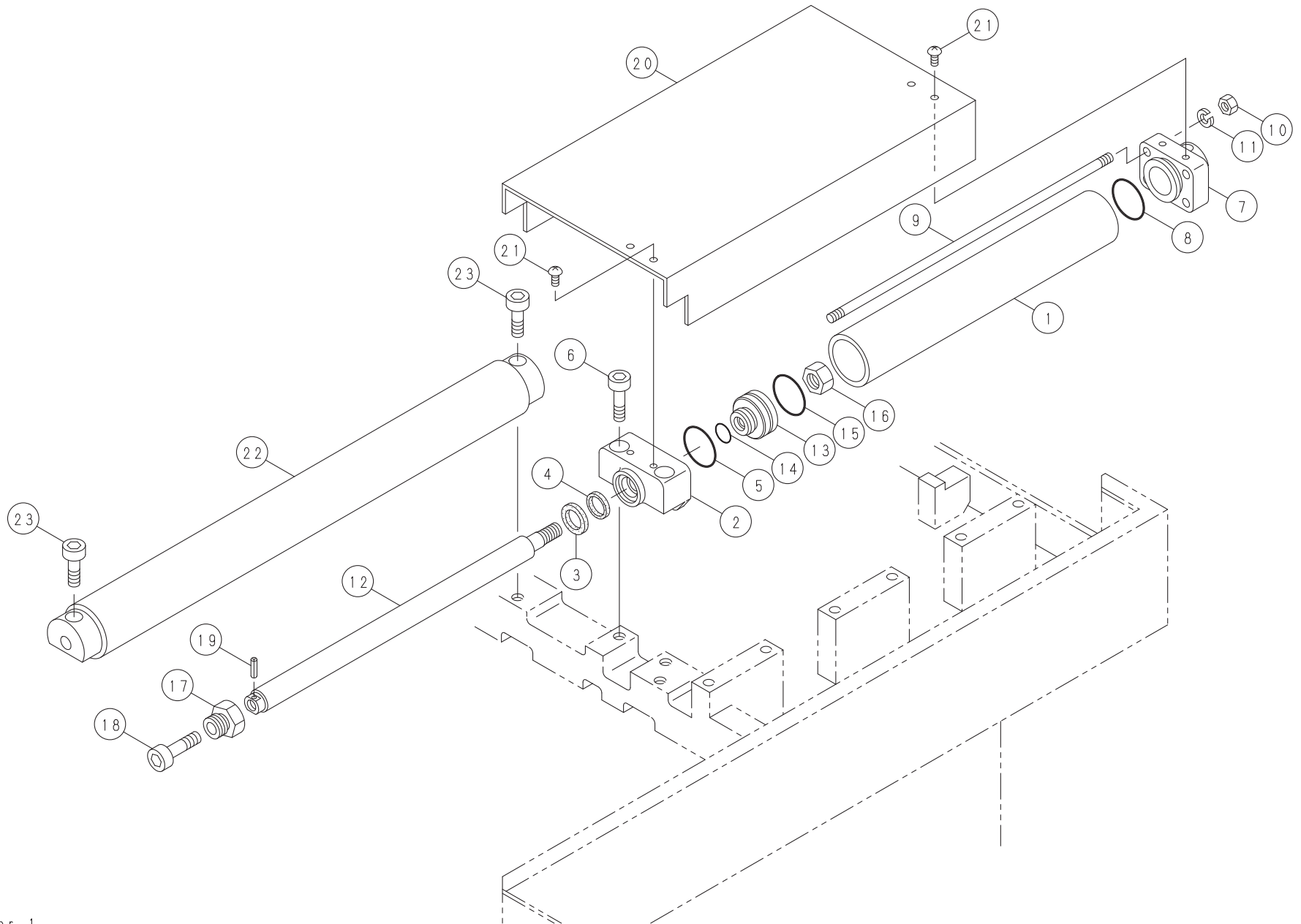
22

From Serial No.50330004 and after

Work Feed (2)

UNIT NO. 22  
Work Feed (2)

From serial No. 50330004 and after





From Serial No.50330004 and after

Index	Parts Number	Parts Name	Drawing No.	Type(Maker)	Q'ty	Note	Rev.No.
1	10565462	Cylinder	13002A		1		
2	10565467	Cylinder Cap (F)	1233403		1		1656
3	10565739	Dust Seal		FD1536AO (NOK)	1		
4	10565844	Sky Packing		SKY-28 (SAKAGAMI)	1		
5	10565836	O Ring		G-55	1		
6	10555404	Reamer Bolt	1230007 A		2		
7	10376242	Cylinder Cap (R)	1233404 A		1		1656
8	10565836	O Ring		G-55	1		
9	10565568	Tie Rod	1233400		4		
10	10555324	Nut		M12 TYPE-1	4		
11	10557018	Spring Washer		M12	4		
12	10565617	Piston Rod	1233401 A		1		1657
13	10565624	Piston	1280586 A		1		
14		O Ring		P-20	1		
15	10560014	O Ring		P-50A	1		
16	10566021	U-Nut		M16	1		
17	10565429	Bushing Nut	1280587 A		1		1798
18	10558428	Hex Soc Cap Screw		M16X50	1		1657

From Serial No.50330004 and after

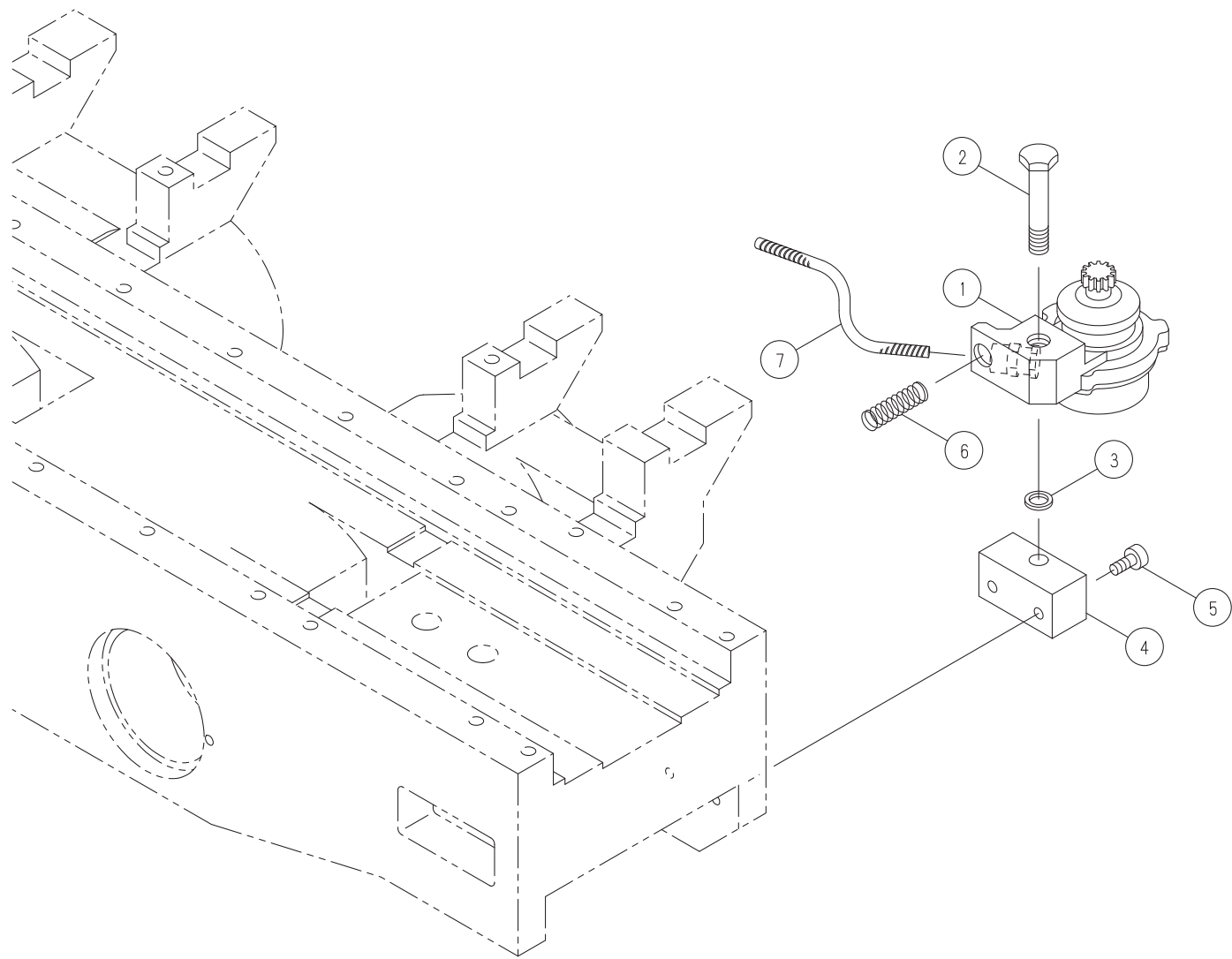
Index	Parts Number	Parts Name	Drawing No.	Type(Maker)	Q'ty	Note	Rev.No.
19	10564016	Spring Pin		D4X20	1		1657
20	10565457	Cylinder Cover	1233402 A		1		1657
21	10340019	Truss Head Screw		M6X12	4		
22	10376241	Guide Shaft	1233395 B		2		2945
23	10555404	Reamer Bolt	1230007 A		4		

From Serial No.50330004 and after

## Work Feed (3)

UNIT NO. 23  
Work Feed (3)

From serial No. 50330004 and after



From Serial No.50330004 and after

Index	Parts Number	Parts Name	Drawing No.	Type(Maker)	Q'ty	Note	Rev.No.
1	10376243	Encoder	7922647		1		2585
2	10565420	Hinge Bolt	1280506		1		
3	10565643	Washer	1280512		1		
4	10565205	Encoder Bracket	1280505 B		1		02842
5	10558429	Hex Soc Cap Screw		M6X14	2		02842
6	10337831	Spring	1280507 A		1		02842
7	10379419	Spiral Tube		SPN-04X500L (KITAGAWA)	1		02842

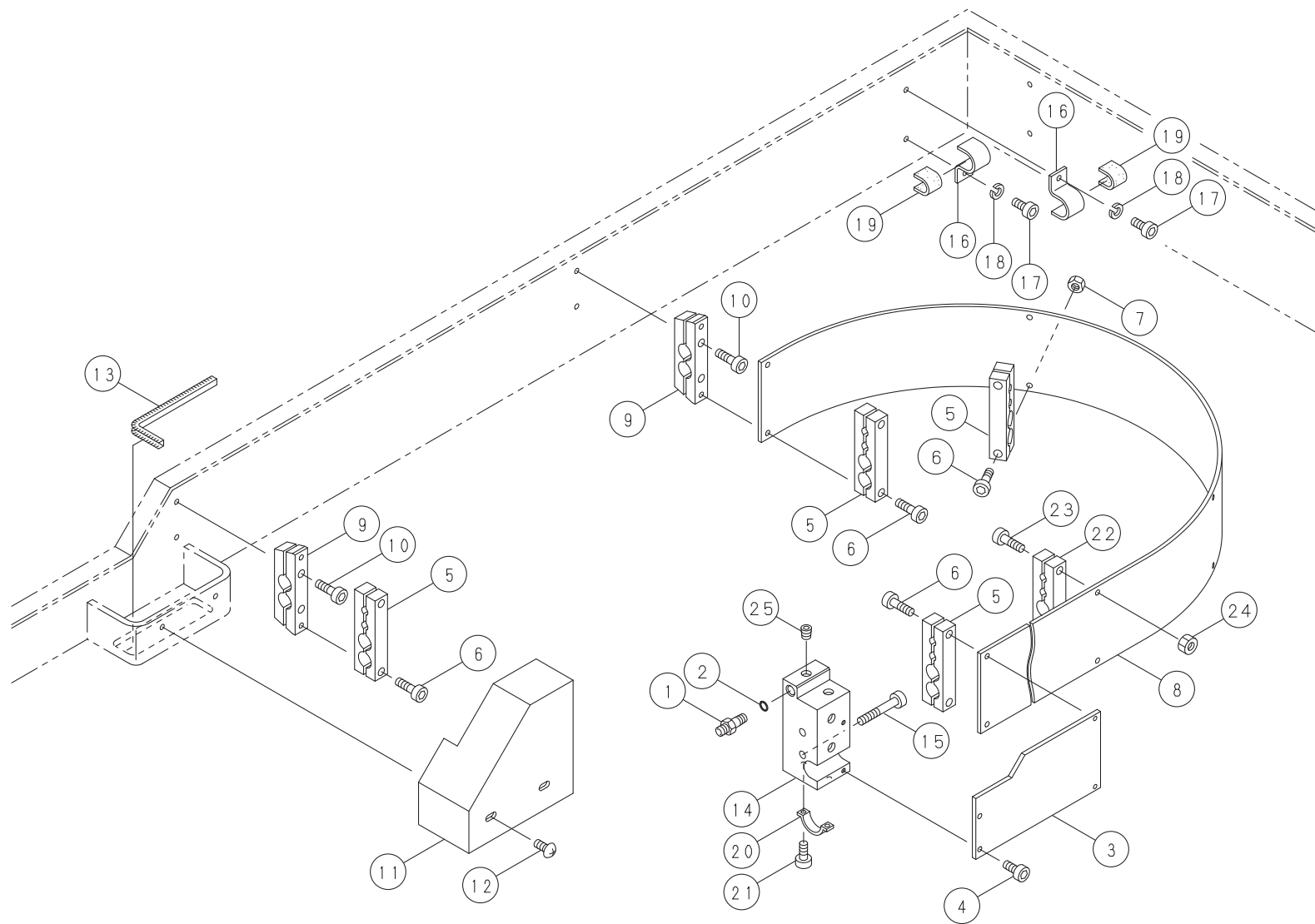


From Serial No.50330004 and after

## Work Feed (4)

UNIT NO. 24  
Work Feed (4)

From serial No. 50330004 and after





From Serial No.50330004 and after

Index	Parts Number	Parts Name	Drawing No.	Type(Maker)	Q'ty	Note	Rev.No.
1	10565245	Coupling	1233406		1		
2	10560007	O Ring		P-9	1		
3	10376246	Hose Bracket	1233642		1		2707
4	10555627	Hex Soc Cap Screw		M6X15	2		
5	10565249	Hose Clamp (4)	1233408 B		5		1797
6	10555637	Hex Soc Cap Screw		M6X30	10		1853
7	10555322	Nut		M6	4		1854
8	10379421	Hose Guide	1233425 B		1		1974
9	10565250	Hose Clamp (2)	1233410		2		
10	10555637	Hex Soc Cap Screw		M6X30	4		
11	10565416	Cover	1233411 B		1		1852
12	10340019	Truss Head Screw		M6X12	2		
13	10565759	Universal Bushing		KG-045 320L (KITAGAWA)	2		
14	10379420	Manifold	1233412		1		2707
15	10571228	Hex Soc Cap Screw		M8X65	2		
16	10565840	Saddle		CH1615 D6.2 (DAIWA)	6		1798
17	10555625	Hex Soc Cap Screw		M6X10	6		1798
18	10558512	Spring Washer		M6	6		

From Serial No.50330004 and after

Index	Parts Number	Parts Name	Drawing No.	Type(Maker)	Q'ty	Note	Rev.No.
19	10565848	Neoprene Sponge		W30XD2XL75	6		1798
20	10376244	Saddle		FCD-15 (DAIWA)	1		2707
21	10454929	Hex Soc Cap Screw		M5X10	2		2707
22	10565249	Hose Clamp (4)	1233408 B		1		1974
23	10555637	Hex Soc Cap Screw		M6X30	2		1974
24	10555322	Nut		M6	2		1973
25	10561510	Plug		PT1/4\$	1		2361

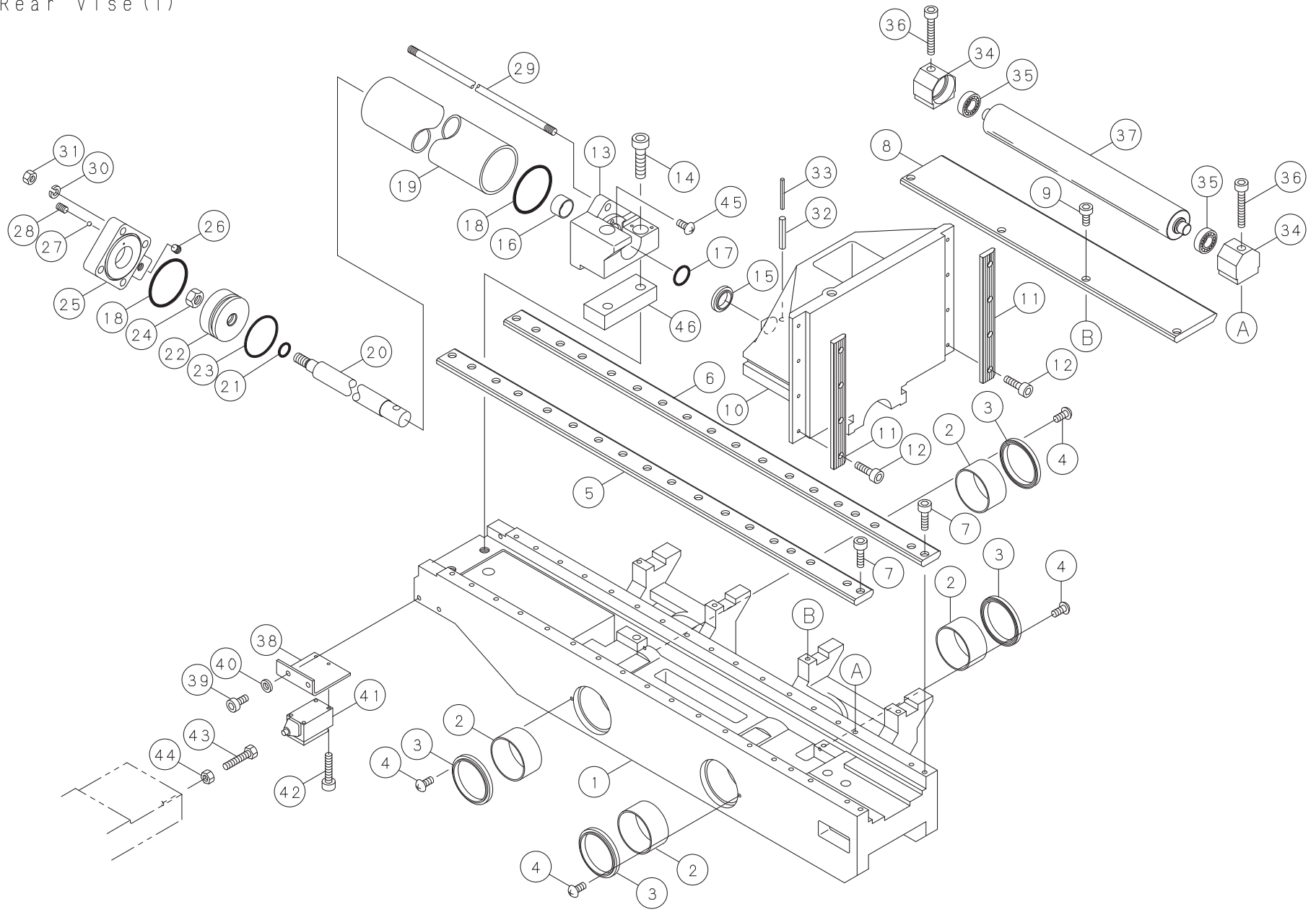
25

From Serial No.50330004 and after

Rear Vise (1)

UNIT NO. 25  
Rear Vise (1)

From serial No. 50330004 and after



From Serial No.50330004 and after

Index	Parts Number	Parts Name	Drawing No.	Type(Maker)	Q'ty	Note	Rev.No.
1	10379422	Rear Vise Bed	1233471 E		1		2361
2	10567327	Oilless Metal Bushing		MB7540DU (DAIDO)	4		
3	10375805	Scraper		SCB-75 (SAKAGAMI)	4		02568
4	10340019	Truss Head Screw		M6X12	4		1794
5	10379423	Slide Plate (F)	1233472 B		1		2707
6	10379424	Slide Plate (R)	1233473 B		1		2707
7	10555628	Hex Soc Cap Screw		M8X20	36		
8	10379425	Auxiliary Plate	1233474 B		1		2707
9	10555628	Hex Soc Cap Screw		M8X20	4		
10	10379427	Rear Vise Jaw(Movable)	1233478 B		1		2861
11	10566705	Vise Plate	1233476 E		4		1975
12	10555627	Hex Soc Cap Screw		M6X15	16		
13	10376203	Cylinder Cap (F)	1233015 B		1		2952
14	10568324	Hex Soc Cap Screw		M16X80	2		2361
15	10555753	Dust Seal		SCB30 (SAKAGAMI)	1		
16	10555708	Oilless Metal Bushing		MB3020DU (DAIDO)	1		
17	10564114	O Ring		1AP-30	1		
18	10556103	O Ring		1AG-80	2		

From Serial No.50330004 and after

Index	Parts Number	Parts Name	Drawing No.	Type(Maker)	Q'ty	Note	Rev.No.
19	10566942	Cylinder	1233071		1		
20	10566950	Piston Rod	1233072 A		1		2101
21	10556111	O Ring		1AP-20	1		
22	10555522	Piston	1280024		1		
23	10556109	O Ring		1AP-70	1		
24	10566021	U-Nut		M16	1		
25	10555518	Cylinder Cap (R)	1280026 A		1		1873
26	10561510	Plug		1/4\$	1		
27	10561616	Steel Ball		3/16	1		1873
28	10356511	Socket Set Screw		M6X12 DOG END	1		1873
29	10566962	Tie Rod	1233073		4		
30	10557018	Spring Washer		M12	4		
31	10555324	Nut		M12	4		
32	10555713	Spring Pin		D10X60	1		
33	10557113	Spring Pin		D6X60	1		2340
34	10379426	Roller Bracket	1233475 B		2		2707
35	10567417	Scraper		SCB-75 (SAKAGAMI)	2		
36	74300701	Truss Head Screw		M6X12	2		2707

From Serial No.50330004 and after

Index	Parts Number	Parts Name	Drawing No.	Type(Maker)	Q'ty	Note	Rev.No.
37	10566804	Roller	1233075 C		1		2001
38	10567112	LS Bracket	1233456 B		1		2340
39	10555628	Hex Soc Cap Screw		M8X20	2		
40	10555901	Washer		M8	2		
41	10567628	Limit Switch		WLD (OMRON)	1		2340
42	10359528	Hex Soc Cap Screw		M5X35	4		2340
43	10566101	Bolt		M8X40	1		
44	10555323	Nut		M8	1		
45	10332124	Truss Head Screw		M6X8	1		2952
46	10566960	Spacer	1234666		1		2361





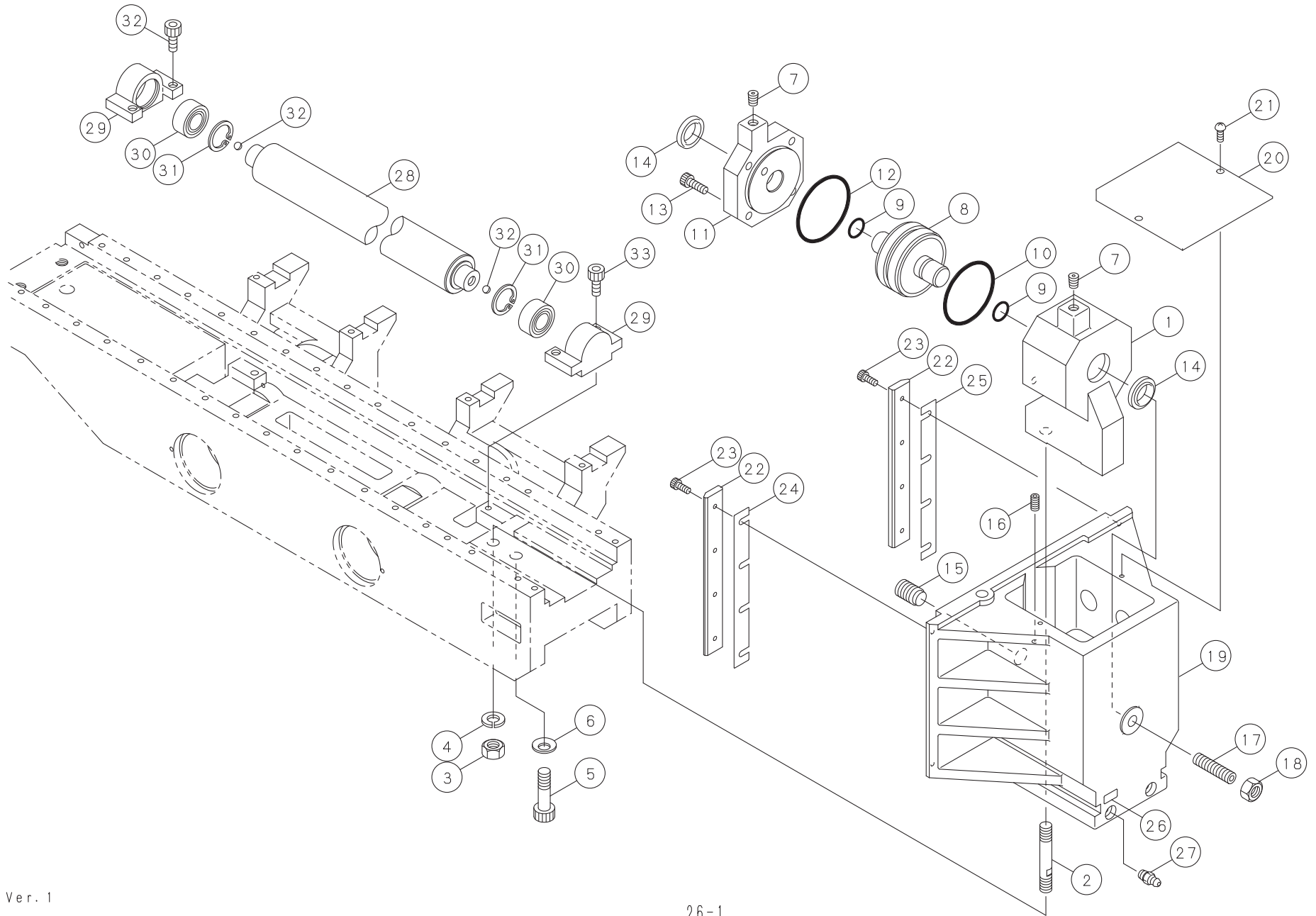
26

From Serial No.50330004 and after

Rear Vise (2)

UNIT NO. 26  
Rear Vise (2)

From serial No. 50330004 and after



From Serial No.50330004 and after

Index	Parts Number	Parts Name	Drawing No.	Type(Maker)	Q'ty	Note	Rev.No.
1	10566944	Cylinder	1233462		1		
2	10567102	Reamer Bolt	1230676		1		
3	10567522	Nut		M16	1		
4	10567517	Spring Washer		M16	1		
5	10555634	Hex Soc Cap Screw		M16X60	1		
6	10555814	Coned Spring Washer		CDW-16H (HEIWA)	1		
7	10561510	Plug		PT1/4\$	2		
8	10566931	Piston	1233464 B		1		2099
9	10567711	O Ring		P-24	2		
10	10567707	O Ring		P-85	1		
11	10566954	Cylinder Cap	1233463		1		
12	10556104	O Ring		G-90	1		
13	10556905	Hex Soc Cap Screw		M10X30	4		
14	10567425	SCB Scraper		SCB-30 (SAKAGAMI)	2		
15	10567020	Pushing Screw	1230669 A		1		
16	10567606	Socket Set Screw		M8X15 CUP END	1		
17	10567608	Socket Set Screw		M16X65 FLAT END	1		
18	10567522	Nut		M16	1		

From Serial No.50330004 and after

Index	Parts Number	Parts Name	Drawing No.	Type(Maker)	Q'ty	Note	Rev.No.
19	10376251	Rear Vise Jaw(Fixed)	1233461 E		1		2861
20	10566862	Cover	1233465 A		1		1660
21	10340019	Truss Head Screw		M6X12	2		
22	10566705	Vise Plate	1233476 E		4		1975
23	10555627	Hex Soc Cap Screw		M6X15	16		
24	10567005	Shim	1233466		1		1660
25	10567006	Shim (2)	1233467		1		1975
26	10558341	Sticker (Grease)	0852250		2		
27	10558721	Grease Nipple		A-M6X1 (KURITA)	2		
28	10379428	Roller	1233485		1		2361
29	10566810	Roller Bracket	1233486		2		2361
30	10555910	Hex Soc Cap Screw		M8X20	2		2361
31	10557107	Snap Ring		RTW42 (OCHIAI)	2		2361
32	10556031	Steel Ball		3/8\$	2		2361
33	10555628	Hex Soc Cap Screw		M8X20	4		2361

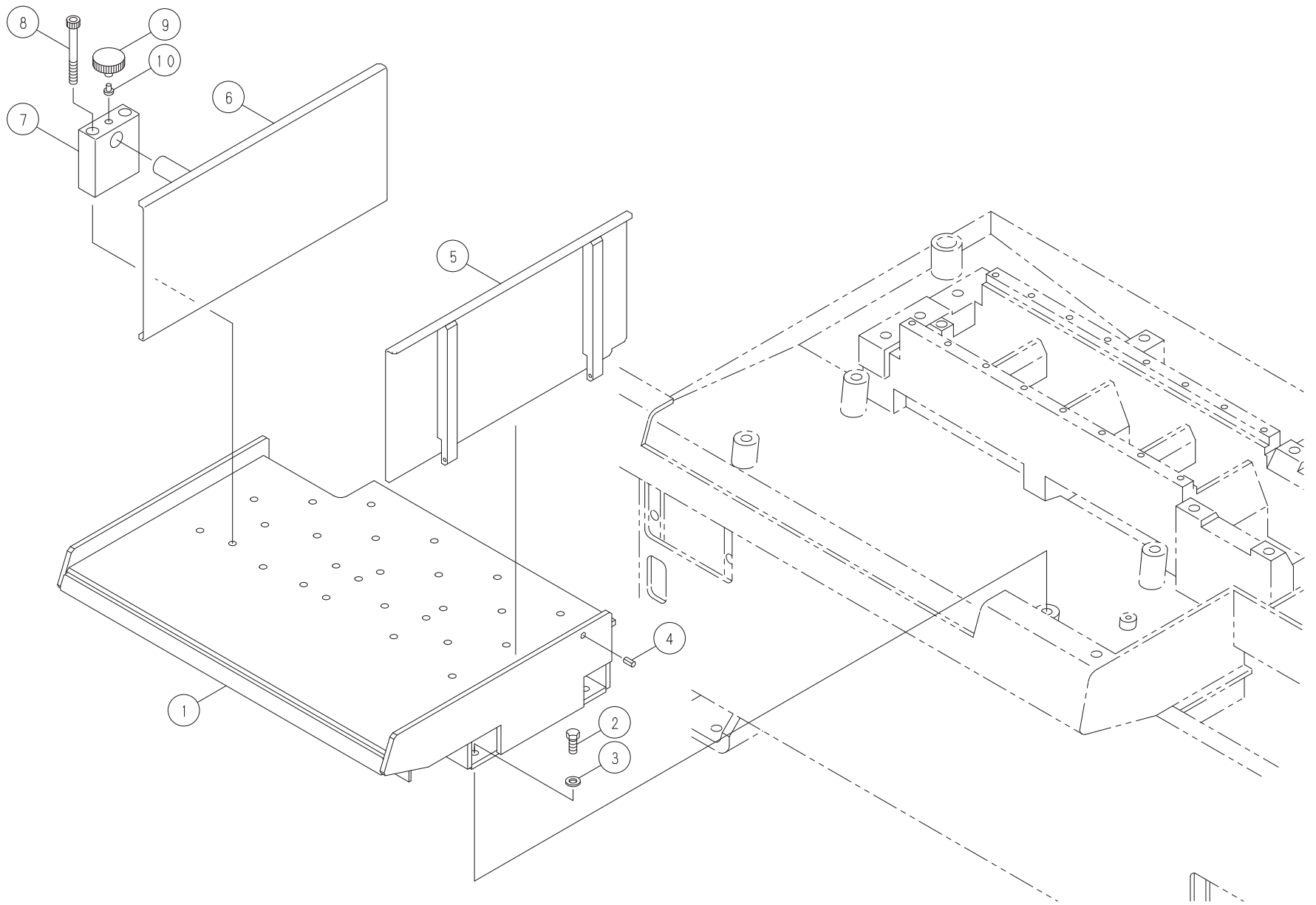
27

From Serial No.50330004 and after

## Work Tray

UNIT NO. 27  
Work Tray

From serial No. 50330004 and after



From Serial No.50330004 and after

Index	Parts Number	Parts Name	Drawing No.	Type(Maker)	Q'ty	Note	Rev.No.
1	10376252	Work Tray	1233511 D		1		2707
2		Bolt		M12X30(11.9)	4		1686
3	10568415	Coned Disk Spring		12(H)	4		
4	10558519	Spring Pin		D5X10	1		
5	10568336	Fence (R)	1233512 A		1		1686
6	10376253	Fence (L)	1233513 A		1		2707
7	10568345	Bracket	1233514 A		1		1799
8	10568402	Hex Soc Cap Screw		M12X110	2		
9	10568349	Lock Handle	1280595		1		
10	10565651	Lock Piece	0603312		1		





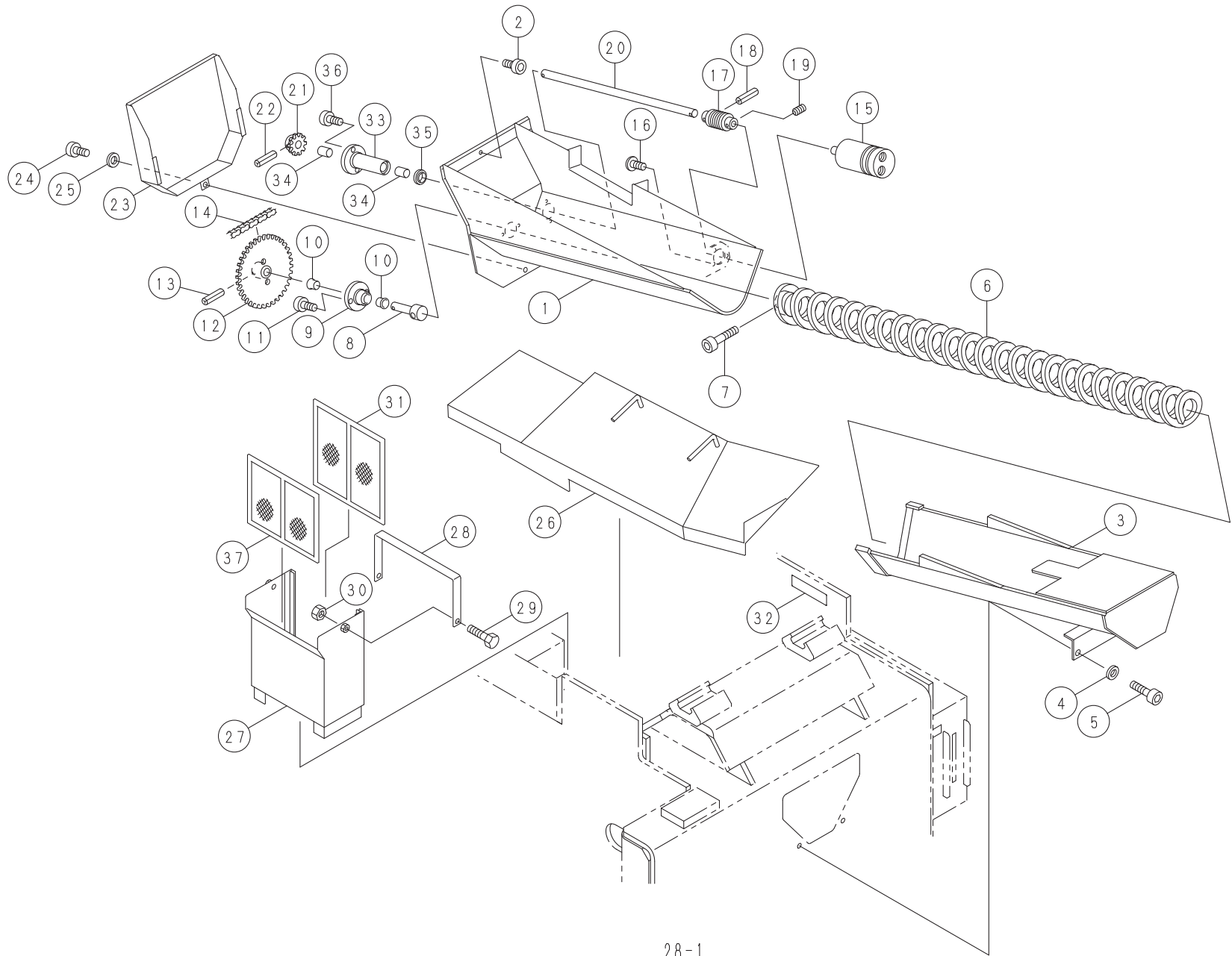
28

From Serial No.50330004 and after

## Chip Conveyor

UNIT NO. 28  
Chip Conveyor

From serial No. 50330004 and after



From Serial No.50330004 and after

Index	Parts Number	Parts Name	Drawing No.	Type(Maker)	Q'ty	Note	Rev.No.
1	10568746	Spiral Case	1233541 C		1		02304
2	10371404	Hex Soc Cap Screw		M6X16 SUS	1		
3	10379429	Spiral Pipe	1233557 B		1		02304
4	10558038	Washer	1233546 A		2		1818
5	10555637	Hex Soc Cap Screw		M6X30	2		
6	10568740	Spiral Shaft	7922589		1		2005
7	10371406	Hex Soc Cap Screw		M8X50 SUS	1		
8	10568725	Shaft A	1280685 B		1		
9	10568748	Shaft Support (A)	1280686 B		1		
10	10568931	Oilless Metal Bushing		MB1620-24FDU (DAIDO)	2		
11	10371403	Hex Soc Cap Screw		M6X12 SUS	2		
12	10568752	Sprocket A	1280687 C		1		
13	10372119	Spring Pin		D6X28	1		
14	10569025	Oilless Chain		RS40SL 42LINKS (TUBAKIMOTO)	1		
15	10569003	Hydraulic Motor		OMM32-151G0003 (YUKEN)	1		
16	10555626	Button Head Screw		M6X12	3		
17	10568902	Universal Joint		ND-16-01-C (KYOWA)	1		
18	10372119	Spring Pin		D6X28	1		

From Serial No.50330004 and after

Index	Parts Number	Parts Name	Drawing No.	Type(Maker)	Q'ty	Note	Rev.No.
19	10555822	Socket Set Screw		M6X8 CUP END	1		
20	10568724	Shaft B	1233544		1		
21	10568753	Sprocket B	1280690 B		1		
22	10372119	Spring Pin		D6X28	1		
23	10568734	Chain Cover	1233567		1		02304
24	10371403	Hex Soc Cap Screw		M6X12 SUS	1		
25	10557011	Washer		M6	1		
26	10379430	Chute	1233559 C		1		02304
27	10568827	Chip Box	1233568		1		02304
28	10568832	Pull	1280695 A		1		
29	10555801	Bolt		M8X20	2		
30	10555323	Nut		M8	2		
31	10568763	Screen	1280696 A		1		
32	10568829	Sticker	1280694		1		
33	10568749	Support (B)	1280689 C		1		1570
34	10555707	Oilless Metal Bushing		MB1625DU (DAIDO)	2		1570
35	10569029	Dust Seal		SCB-16 (SAKAGAMI)	1		1570
36	10371403	Hex Soc Cap Screw		M6X12 SUS	2		1570

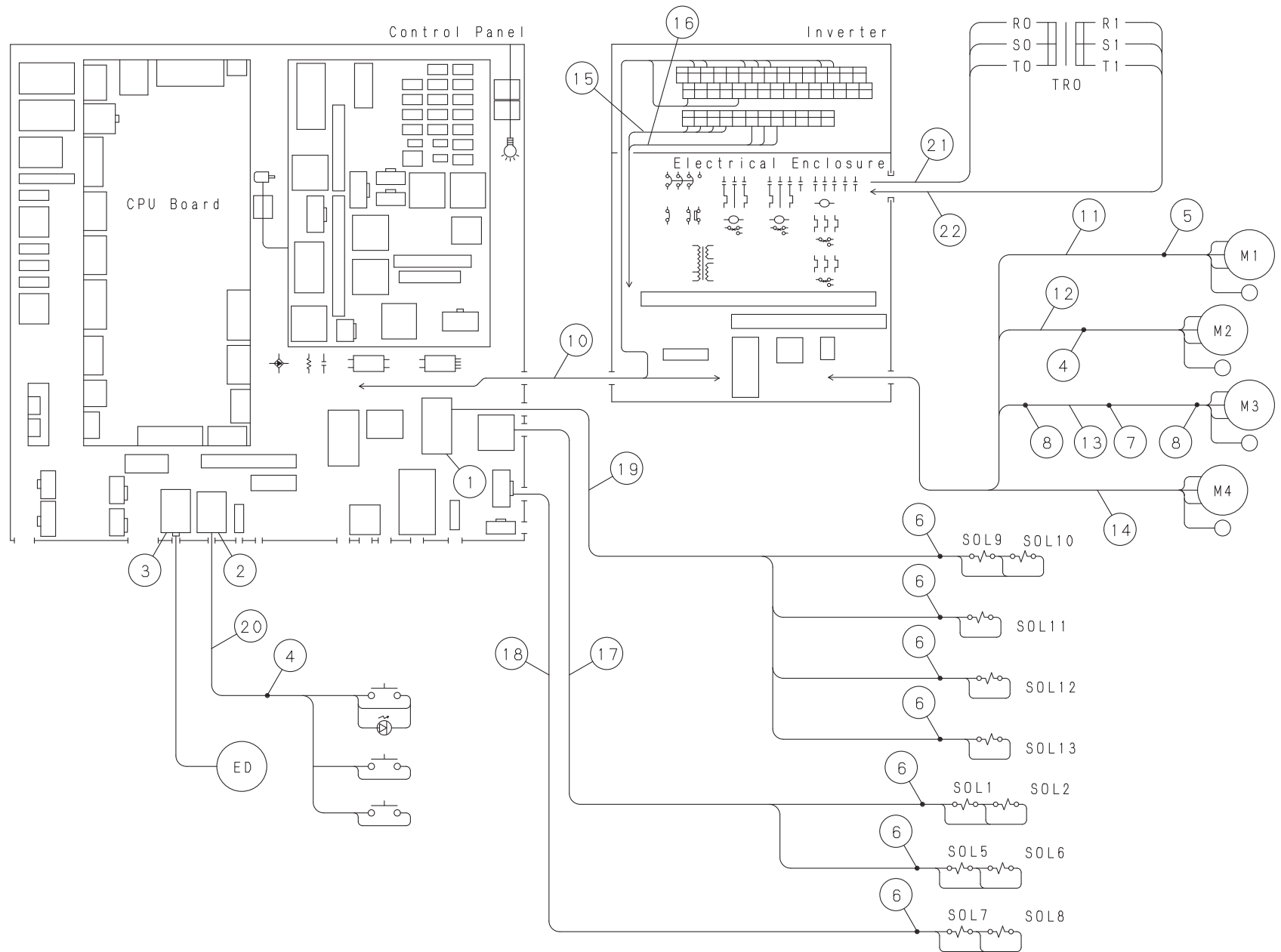
From Serial No.50330004 and after

Index	Parts Number	Parts Name	Drawing No.	Type(Maker)	Q'ty	Note	Rev.No.
37	10568762	Screen(A)	1233569		1		02304



From Serial No.50330004 and after

## Electric (1)





From Serial No.50330004 and after

Index	Parts Number	Parts Name	Drawing No.	Type(Maker)	Q'ty	Note	Rev.No.
1		Plug(12P)		1-480708-0	2		2489
2	10379431	Plug(9P)		1-480706-0	1		2489
3	10379432	Receptacle		5557-06R (MOLEX)	1		2489
4	10569923	Cord Lock		NC-1 (NIKKOU)	6		
5	10569666	Connector		YS16 (DAIWA)	1		
6	10569650	Connector		AC4-2 (ACE SERVIC)	8		
7	10569658	Connector Collar		GCC-15 (DAIWA)	1		
8	10569655	Connector Collar		CC-13 (DAIWA)	2		
9	10569906	Cable		VSF 1.25MM2X1M BLUE	1		
10	10379444	Interface Cable Assy	7920634		1		
11	10379433	Cable	123358501		1		2949
12	10379434	Cable	123358502		1		2949
13	10379435	Cable	123358503		1		2949
14	10379436	Cable	123358504		1		2949
15	10379437	Cable	123358505		1		2949
16	10379438	Cable	123358506		1		2949
17	10379439	Cable	123358509		1		2949
18	10379440	Cable	123358510		1		2949

From Serial No.50330004 and after

Index	Parts Number	Parts Name	Drawing No.	Type(Maker)	Q'ty	Note	Rev.No.
19	10379441	Cable	123358511		1		2949
20	10379442	Cable	123358512		1		2949
21	10376255	Cable	1283199 A		1		
22	10379443	Cable	1283200 B		1		

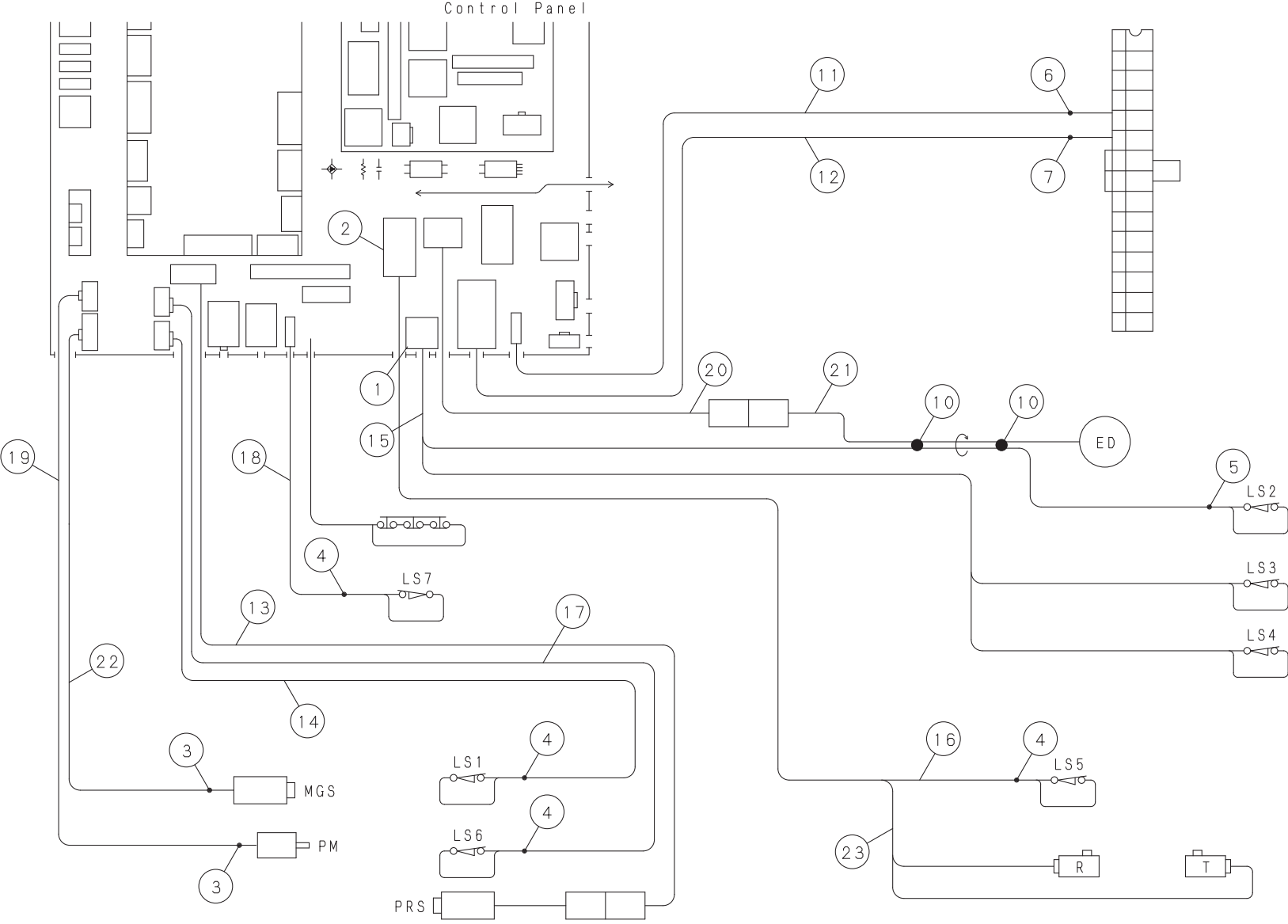
30

From Serial No.50330004 and after

Electric (2)

UNIT NO. 30  
Electric (2)

From serial No. 50330004 and after



From Serial No.50330004 and after

Index	Parts Number	Parts Name	Drawing No.	Type(Maker)	Q'ty	Note	Rev.No.
1	10379445	Plug(6P)		1-480704-0	1		2489
2		Plug(12P)		1-480708-0	2		2489
3	10569664	Connector		CSG-9 (DAIWA)	2		
4	10569923	Cord Lock		NC-1 (NIKKOU)	6		
5	10379446	Connector		AC4-1T (ACE SERVIC)	1		
6	10569650	Connector		AC4-2 (ACE SERVIC)	8		
7	10569651	Connector		AC4-3 (ACE SERVIS)	1		
8	10569659	Connector Collar		GCC-9 (DAIWA)	3		1408
9	10569657	Connector Collar		CC-9 (DAIWA)	3		
10	10569656	Connector Collar		CC-15 (DAIWA)	4		1721
11	10379447	Cable	123358507		1		2949
12	10379448	Cable	123358508		1		2949
13	10379449	Cable	123358513		1		2949
14	10379450	Cable	123358514		1		2949
15	10379451	Cable	123358515		1		2949
16	10379452	Cable	123358516		1		2949
17	10379453	Cable	123358517		1		2949
18	10379454	Cable	123358518		1		2949

From Serial No.50330004 and after

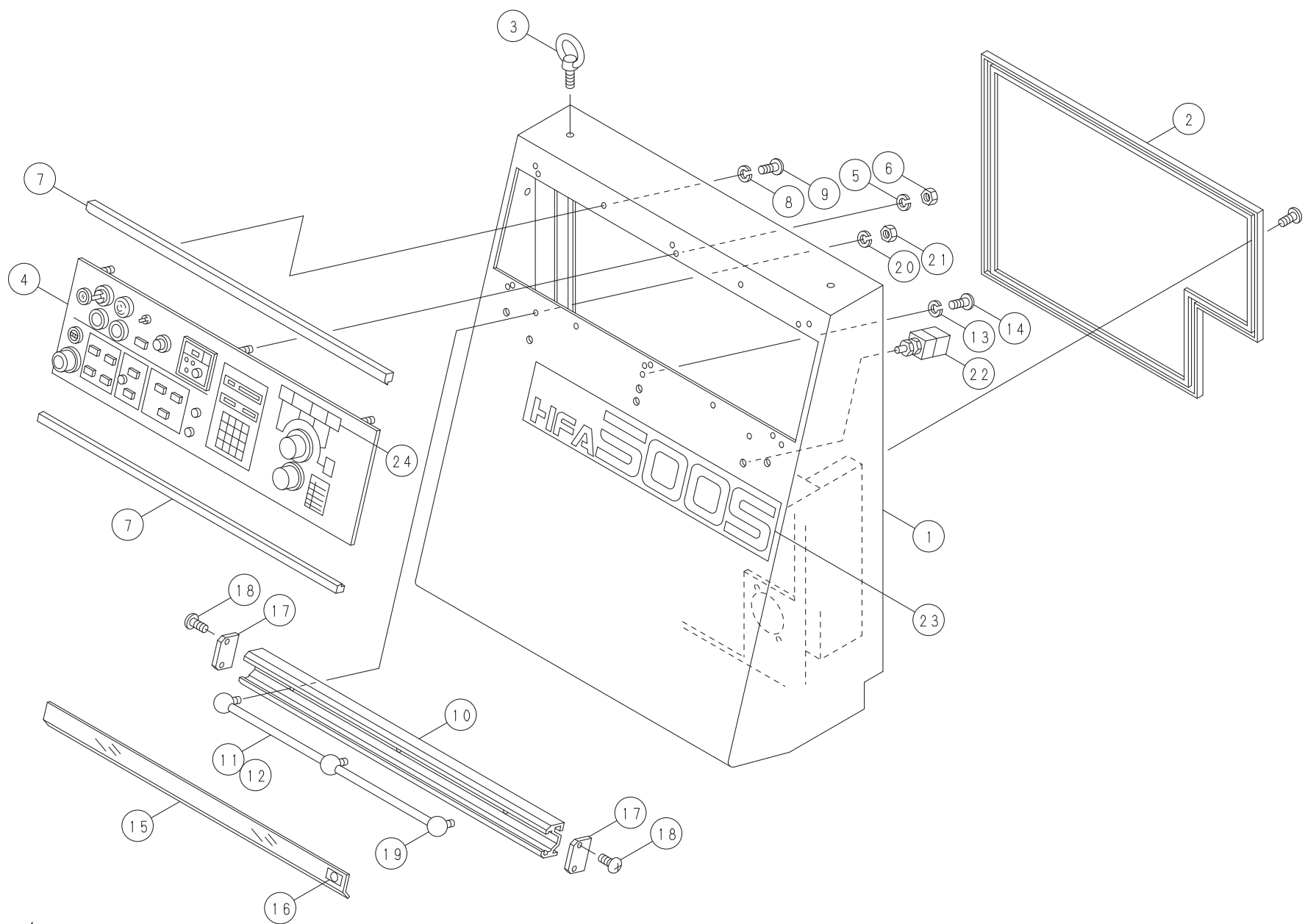
Index	Parts Number	Parts Name	Drawing No.	Type(Maker)	Q'ty	Note	Rev.No.
19	10379455	Cable	123358519		1		2949
20	10379456	Cable	123358520		1		2949
21	10379457	Cable	123358521		1		2949
22	10379458	Cable	123358522		1		2949
23	10379459	Cable	123358523		1		2949

From Serial No.50330004 and after

## Electric (3)

UNIT NO. 31  
Electric (3)

From serial No. 50330004 and after





From Serial No.50330004 and after

Index	Parts Number	Parts Name	Drawing No.	Type(Maker)	Q'ty	Note	Rev.No.
1	10569212	Control Box	1233591 B		1		1935
2	10569317	Rear Cover	123359101A		1		01900
3	10562206	Eye Bolt		M8	2		
4	10376258	Control Panel Ass	7920630 B		1		2489
5	10558512	Spring Washer		M6	6		
6	10555322	Nut		M6	6		
7	10569244	Panel Stay	1233592 B		2		1935
8	10560425	Spring Washer		M4	8		
9	10328311	Pan Head Screw		M4X6	8		
10	10569321	Aluminium Sash	1233593		1		
11	10569943	Fluorescent Tube		FELE8-350	2		
12	10569566	Silicone		100ML	1		
13	10560425	Spring Washer		M4	3		
14	10364024	Pan Head Screw		M4X14	3		
15	10569308	Stop Bar Cover	1233594		1		
16	10569312	Stop Mark	1260699		1		
17	10569316	Cover	1260700		2		
18	10569603	Tapping Screw		D3X20	4		

From Serial No.50330004 and after

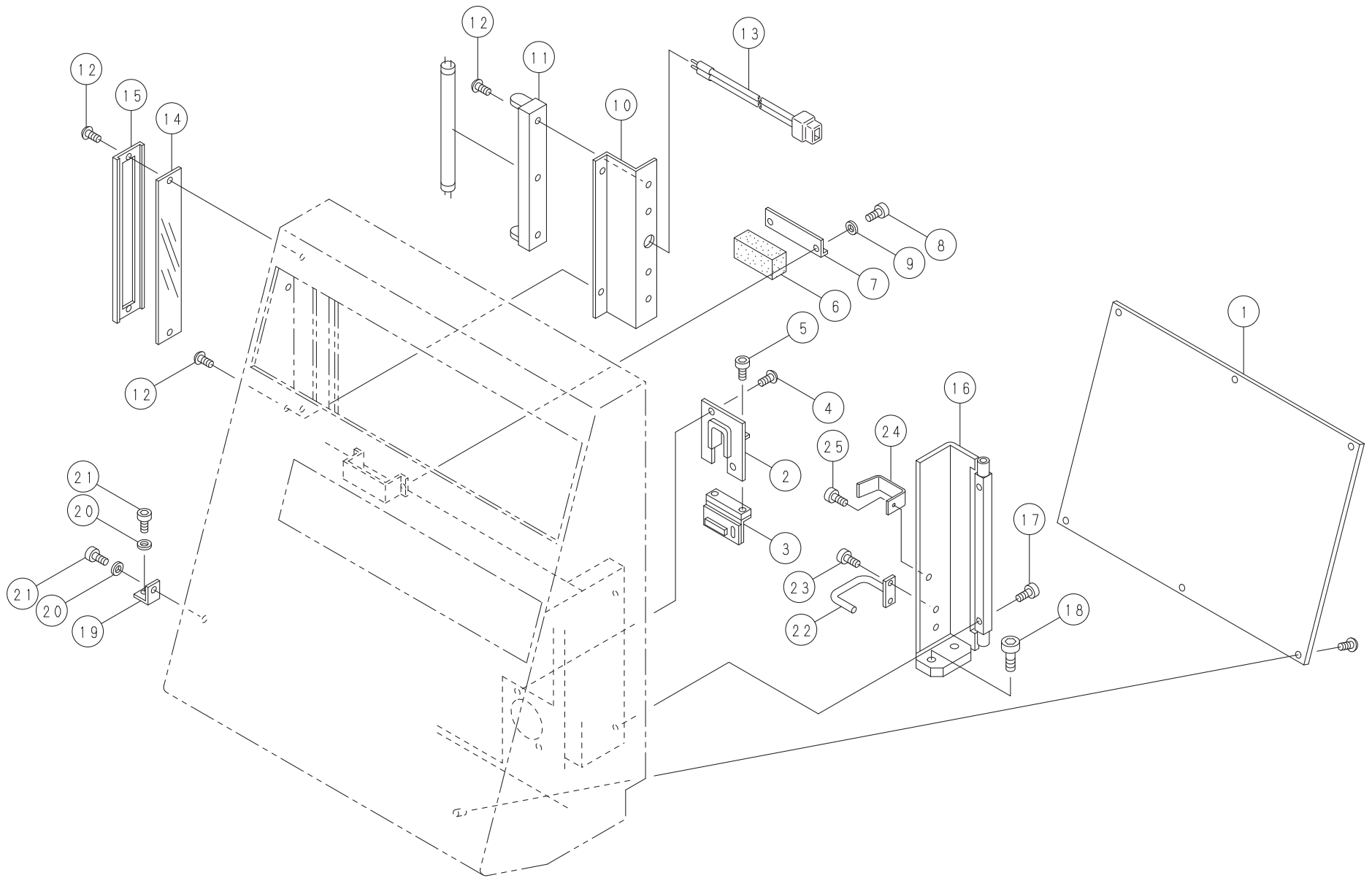
Index	Parts Number	Parts Name	Drawing No.	Type(Maker)	Q'ty	Note	Rev.No.
19	10569939	Fluorescent Tube Power Source		CX-1301	1		
20	10558512	Spring Washer		M6	3		
21	10555322	Nut		M6	3		
22	10569457	Limit Switch		Z-15GQA55-B5V (OMRON)	2		2706
23	10569228	Model Plate	1233611		1		
24	10376257	Material Plate	1243089		1		

From Serial No.50330004 and after

## Electric (4)

UNIT NO. 32  
Electric (4)

From serial No. 50330004 and after



From Serial No.50330004 and after

Index	Parts Number	Parts Name	Drawing No.	Type(Maker)	Q'ty	Note	Rev.No.
1	10376263	Control Box Assy	7920635 A		1		2489
2	10569267	Cable Retainer	1233596 B		1		1935
3	10569202	Set Plate	1233597 A		1		01900
4	10340019	Truss Head Screw		M6X12	2		1935
5	10561523	Hex Soc Cap Screw		M6X35	2		01900
6	10569366	Neoprene Sponge		20X30X110L	2		1914
7	10569203	Clamp Plate	1233613 A		1		1434
8	10558429	Hex Soc Cap Screw		M6X14	2		1434
9	10557011	Washer		M6	2		1434
10	10569330	Bracket	1280831 D		1		1433
11	10569956	Fluorescent Lamp		M-1110U1 10W (NEC)	1		1433
12	10340019	Truss Head Screw		M6X12	2		
13	10376262	Wire Harness	1280712 A		1		2911
14	10569318	Acrylic Cover	1280832		1		
15	10569310	Acrylic Cover Holder	1280834		1		
16	10376260	Hinge	1233598 B		1		2707
17	10555628	Hex Soc Cap Screw		M8X20	2		
18	10559921	Hex Soc Cap Screw		M12X40	2		

From Serial No.50330004 and after

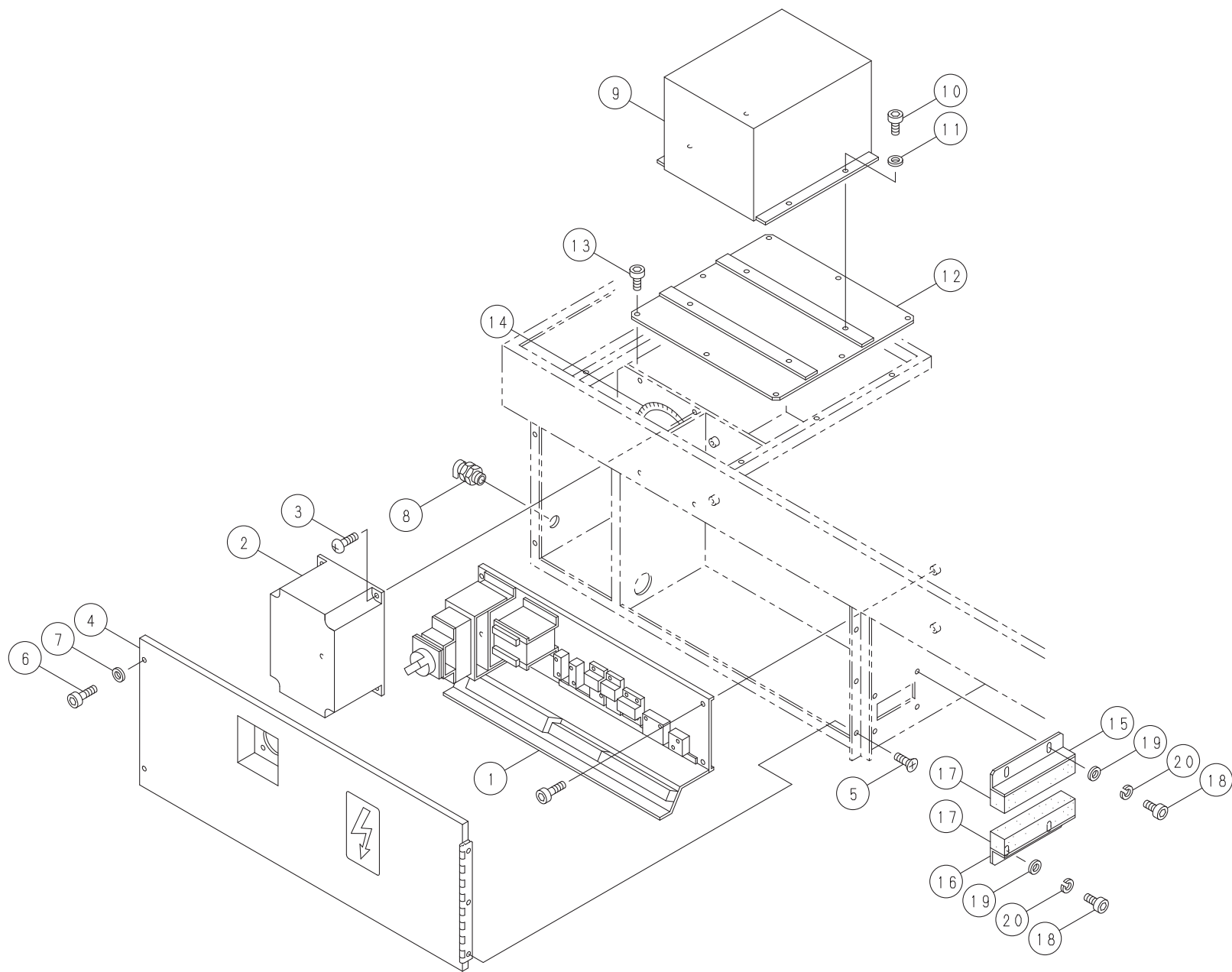
Index	Parts Number	Parts Name	Drawing No.	Type(Maker)	Q'ty	Note	Rev.No.
19	10569327	Bracket	1233599		1		1435
20	10558038	Washer	1233546 A		2		1818
21	10558429	Hex Soc Cap Screw		M6X14	2		1435
22	10376259	Hose Guide	1233326		1		2373
23	10555626	Hex Soc Cap Screw		M6X12	2		
24	10376261	Cable Bracket	1233644		1		2707
25	10555626	Hex Soc Cap Screw		M6X12	1		2707

From Serial No.50330004 and after

## Electric (5)

UNIT NO. 33  
Electric (5)

From serial No. 50330004 and after





From Serial No.50330004 and after

Index	Parts Number	Parts Name	Drawing No.	Type(Maker)	Q'ty	Note	Rev.No.
1	10379461	Electrical Enclosure Box Assy	7920636 A		1		2489
2	10569952	Inverter		FR-A220E-5.5K (MITSUBISHI)	1		03176
3	74307624	Pan Head Screw		M5X12	4		03176
4	10376267	Electrical Enclosure Bax Cover	1233601 D		1		02580
5	10334112	Flat Head Screw		M6X10	3		1904
6	10556903	Hex Soc Cap Screw		M6X25	2		
7	10557011	Washer		M6	2		
8	10569924	Cord Lock		NC2	1		
9	10379462	Transformer	7920998		1		
10	44028704	Hex Soc Cap Screw		M10X20	4		
11	44028618	Washer		M12	4		
12	10379460	Transformer Setting Plate	1283202		1		
13	10555627	Hex Soc Cap Screw		M6X15	8		
14	10376265	Universal Bushing		KG-045 188L (KITAGAWA)	1		
15	10573141	Cable Clamp 1	1234891 A		1		
16	10573142	Cable Clamp 2	1234892 A		1		
17	10573137	Sponge	1234872		2		
18	10558429	Hex Soc Cap Screw		M6X14	4		

From Serial No.50330004 and after

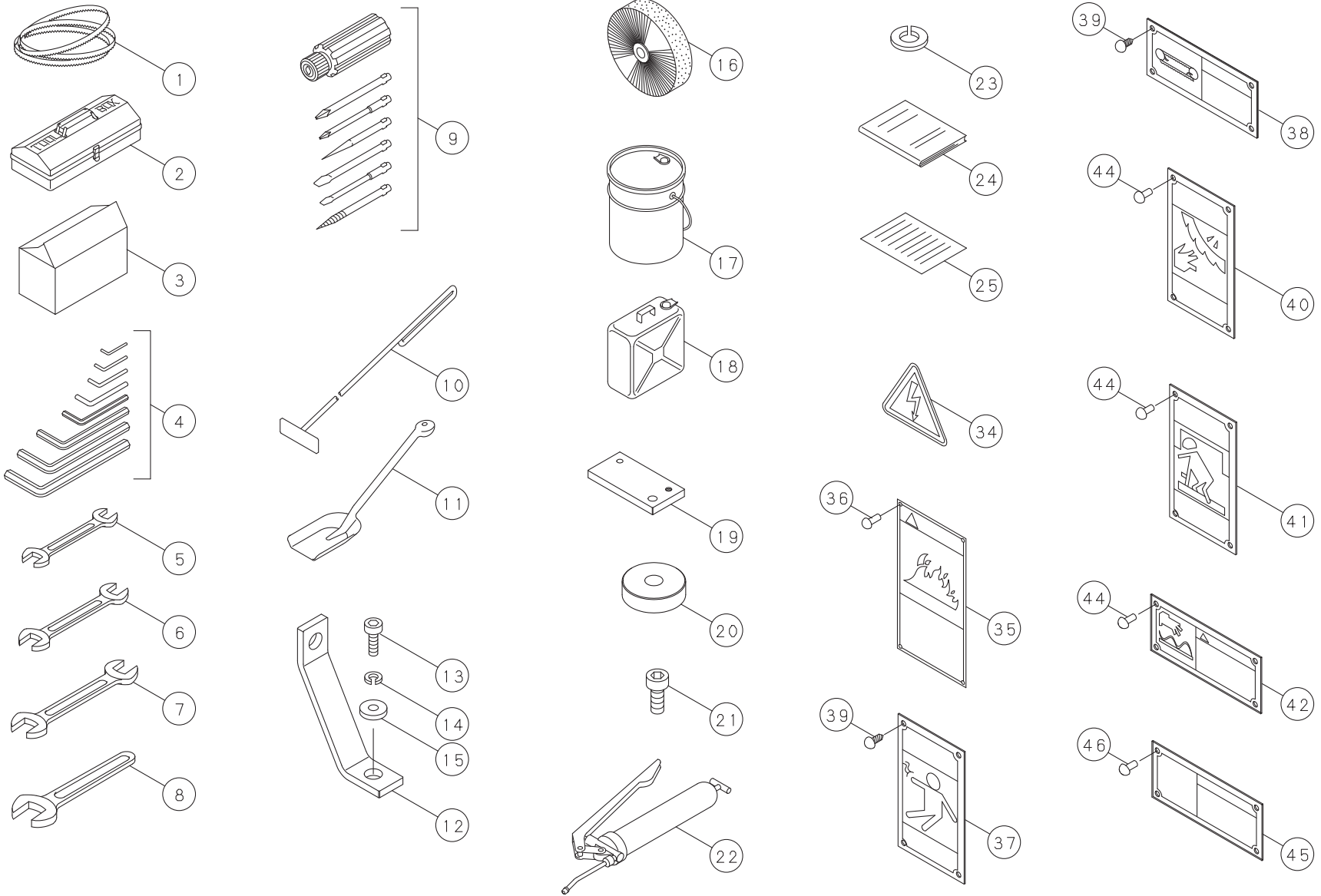
Index	Parts Number	Parts Name	Drawing No.	Type(Maker)	Q'ty	Note	Rev.No.
19	10557011	Washer		M6	4		
20	10558512	Spring Washer		M6	4		

From Serial No.50330004 and after

## Standard Accessory

UNIT NO. 34  
Standard Accessory

From serial No. 50330004 and after



From Serial No.50330004 and after

Index	Parts Number	Parts Name	Drawing No.	Type(Maker)	Q'ty	Note	Rev.No.
1		Saw Blade		2.3P 1.3X54X5820	1		2104
2	10345242	Tool Box		TM-2	1		
3		Corrugated Cardboard Box			1		
4	10571610	Allen Wrench Set		2.5,3,4,5,6,8,10,14	1		
5	10571601	Double End Wrench		10X13	1		
6	10571603	Double End Wrench		17X19	1		
7	10571604	Double End Wrench		22X24	1		
8	10571602	Single Ended Spanner		14	1		
9	10571611	Screw Driver Set		6SET	1		
10	10571556	Chip Remover	0605565		1		
11	10571555	Chip Shovel	0602631		1		
12	10571540	Shipping Bracket	1233630		1		1870
13	10556905	Hex Soc Cap Screw		M10X30	2		1870
14	10558513	Spring Washer		M10	2		1899
15	10569241	Washer	1260183		2		1899
16	10335202	Wire Brush	1200396 A		1		
17		Hydraulic Oil		A-32 40L	1		
18		Cutting Fluid		AMADA CUTTING OIL HD 4L	1		

From Serial No.50330004 and after

Index	Parts Number	Parts Name	Drawing No.	Type(Maker)	Q'ty	Note	Rev.No.
19	10571545	Anchor Plate	1233631		4		2006
20	10571550	Table Support	1233632		2		2006
21	10571630	Bolt		M14X35	4		
22	10571616	Grease Gun		KH-35 300CC (YAMADA)	1		
23	10570314	Spring Washer		M14	4		
24		Service Manual			1		
25		Guarantee			1		
26	10571534	Sticker		AS-K1006	2		
27	10571527	Sticker		AS-K1000	1		
28	10571528	Sticker		AS-K1001	1		
29	10571531	Sticker		AS-K1002	1		
30	10571532	Sticker		AS-K1003	1		
31	10571533	Sticker		AS-K1005-A	1		
32	10571529	Sticker		AS-K1001-H	1		
33	10571530	Sticker		AS-K1001-I	1		
34	10376278	Sticker		125MM	1		
35	10376279	Warning Plate(Fire)	1280740		1		
36	10322102	Drive Rivet		D2.5X5L	4		

From Serial No.50330004 and after

Index	Parts Number	Parts Name	Drawing No.	Type(Maker)	Q'ty	Note	Rev.No.
37	10379465	Warning Plate (Electric Shock)	1106874		1		
38	10379466	Warning Plate (Cover Open)	1106876		1		
39	10379464	Blind Rivet		NSA3-2	8		2534
40	10379469	Warning Plate (Blade Finger)	7025527		1		
41	10379470	Warning Plate	7025528		1		
42	10379467	Warning Plate (Chip Conveyor)	1106877		1		
43	10379470	Warning Plate	7025528		2		
44	10322102	Drive Rivet		D2.5X5	20		2291
45	10379468	Warning Plate (Laser)	1233639		1		
46	10322102	Drive Rivet		D2.5X5	4		





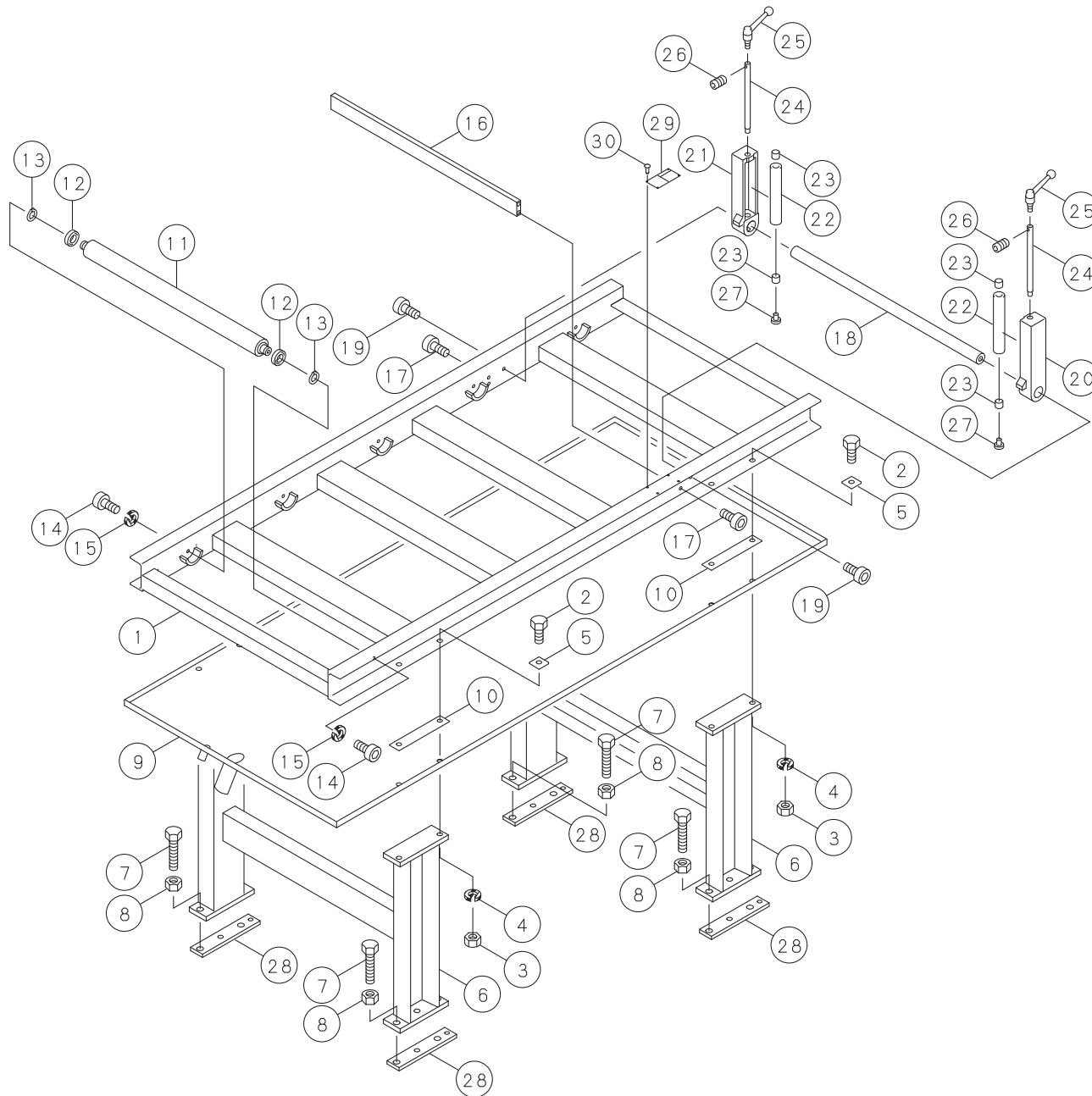
35

From Serial No.50330004 and after

## Roller Table

UNIT NO. 35  
Roller Table

From serial No. 50330004 and after



From Serial No.50330004 and after

Index	Parts Number	Parts Name	Drawing No.	Type(Maker)	Q'ty	Note	Rev.No.
1	10570027	Roller Support	1200651 B		1		
2	10322260	Bolt		M14X45	8		
3	10570307	Nut		M14	8		
4	10570314	Spring Washer		M14	8		
5	10570219	Taper Washer		14X5 Degrees Square	8		
6	10570046	Stand	1233676		2		
7	10365802	Bolt		M16X60 ALL THREAD	12		
8	10567522	Nut		M16	12		
9	10570110	Oil Pan	1233677		1		
10	10570040	Packing	1200654		4		1995
11	10570021	Roller	1200657		5		
12		Ball Bearing		6207DDU	10		
13	10570327	Snap Ring		STW-35	10		
14	10555628	Hex Soc Cap Screw		M8X20	10		
15	10557824	Spring Washer		M8	10		
16	10570052	Stopper Plate	1200656 A		1		
17	10565909	Hex Soc Cap Screw		M10X20	4		
18	10379471	Guide Bar	1200655 B		1		

From Serial No.50330004 and after

Index	Parts Number	Parts Name	Drawing No.	Type(Maker)	Q'ty	Note	Rev.No.
19	10556906	Hex Soc Cap Screw		M12X25	2		
20	10565307	Roller Bracket (R)	1201409		1		
21	10565309	Roller Bracket (L)	1201410		1		
22	10565318	Roller	1201412		2		
23	10570214	Oilless Metal Bushing		MB1615DU (DAIDO)	4		
24	10379472	Setting Bar	1201411 A		2		
25	10565829	Clamp Lever		KR8-15 (IMAO)	2		
26	10565923	Socket Set Screw		M4X6 CUP END	4		
27	10565651	Lock Piece	0603312		2		
28	10570050	Anchor Plate	1233671		4		
29	10570036	Warning Plate (Roller Table)	1280867		1		2090
30	10322102	Drive Rivet		D2.5X5	4		2090

36

From Serial No.50330004 and after

Multi Vise



From Serial No.50330004 and after

Index	Parts Number	Parts Name	Drawing No.	Type(Maker)	Q'ty	Note	Rev.No.
1	10570812	Cylinder Body (500)	1233683 A		1		2099
2	10571205	Oilless Metal Bushing		MB4012DU	2		
3	10570813	Cylinder Body F (500)	1233694		1		2099
4	10570818	Clamper (500)	1233688		2		
5	10555822	Socket Set Screw		M6X8 CUP END	2		
6	10570824	Polyurethane Clamper (500)	1233690		4		
7	10570831	Stand (500)	1233693 A		4		2099
8	10570911	Hydraulic Hose (F)	1233704 A		1		2099
9	10570912	Hydraulic Hose	1233705 A		1		2099
10	10570927	Cylinder	1233684		2		
11	10571006	Piston Rod	1230874 A		2		
12	10571020	Clamper Screw	1230875		2		
13	10570828	Guide Bar	1233691		2		
14	10570910	Nut	1233695		4		2099
15	10571015	Cylinder Cap(F)	1233696		1		
16	10571222	O Ring		S-67	2		
17	10571228	Hex Soc Cap Screw		M8X65	8		
18	10561420	Male-male Adapter		3001F04 (BSIE)	2		2099

From Serial No.50330004 and after

Index	Parts Number	Parts Name	Drawing No.	Type(Maker)	Q'ty	Note	Rev.No.
19	10571016	Cylinder Cap(R)	1233697		1		2099
20	10571002	Piston	1230873		2		
21	10571223	O Ring		P-53	2		
22	10571213	Spring Pin		D3X15	2		
23	10571025	Handle	1230876		2		
24	10571213	Spring Pin		D3X15	2		
25	10571217	Snap Ring		STW-24	2		
26	10571030	Set Plate	1230878		4		
27	10571227	Hex Soc Cap Screw		M5X30	8		
28	10570909	Square Nut	1230880		2		
29	10571228	Hex Soc Cap Screw		M8X65	2		
30	10571209	Coned Spring Washer		CDW-H8 (HEIWA)	2		
31	10571011	Spring	1230881 A		2		
32	10570931	Sticker (Multi Vise)	1230888		1		
33	10570921	Rubber Plug	0636994		2		
34	10563206	Plug		2S (NITTOU)	2		
35	10561550	Chain		#80X150L	2		
36	10329431	Split Pin		D4X40	2		



From Serial No.50330004 and after

Index	Parts Number	Parts Name	Drawing No.	Type(Maker)	Q'ty	Note	Rev.No.
37	10571115	SK Binder		SKB-2M (KITAGAWA)	2		



37

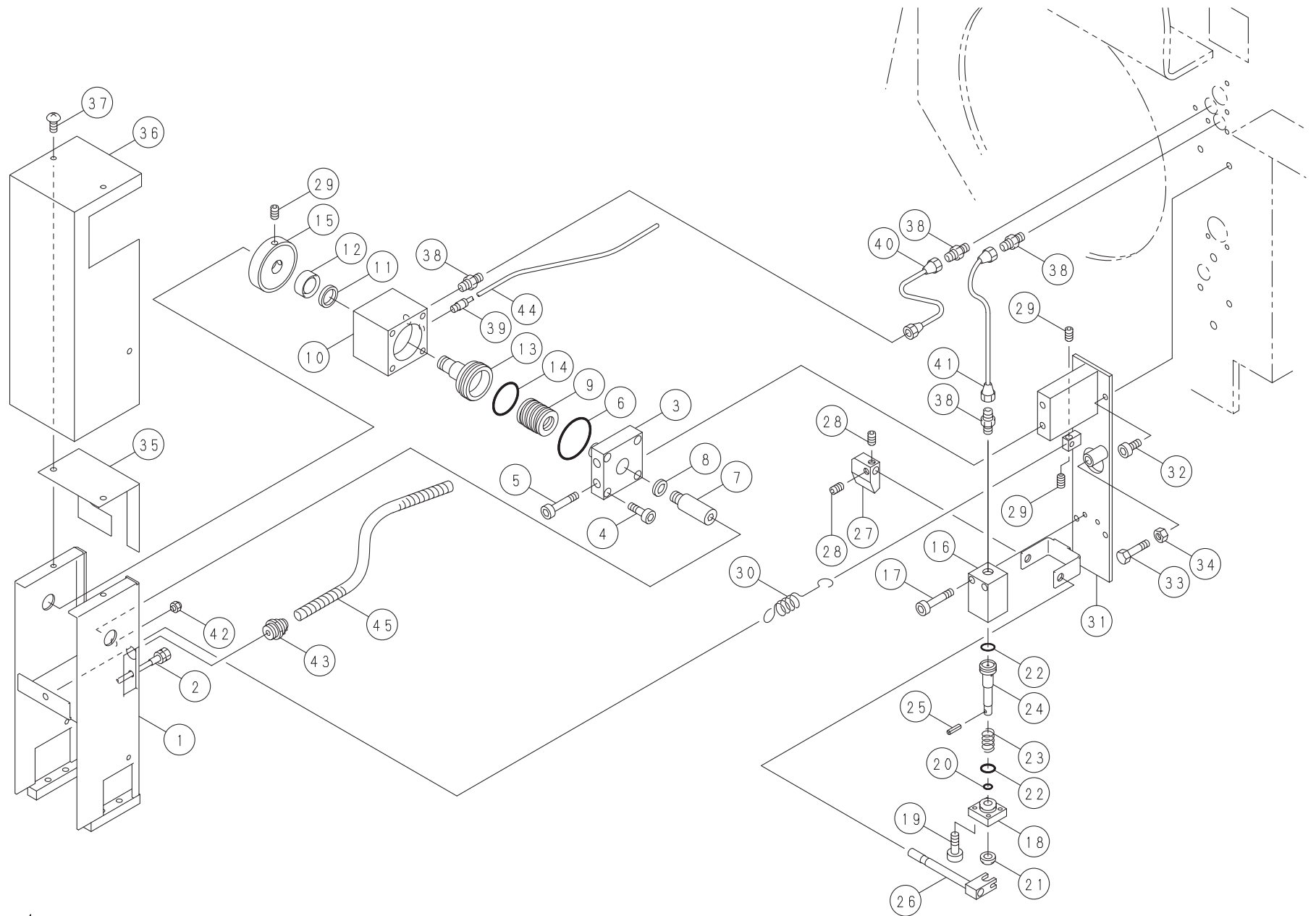
From Serial No.50330004 and after

## Auto Following Wire Brush (1)

UNIT NO. 37

From serial No.50330004 and after

Auto Following Wire Brush (1)



From Serial No.50330004 and after

Index	Parts Number	Parts Name	Drawing No.	Type(Maker)	Q'ty	Note	Rev.No.
1	10375118	Saddle	1233517 B		1		2674
2	10375111	Proximity Switch		EV-108MC(5M) (KIENSU)	1		3171
3	10375119	Flange	1233518 B		1		2674
4	10559920	Hex Soc Cap Screw		M8X30	4		
5	74304911	Hex Soc Cap Screw		M8X60	2		
6	10375138	O Ring		G65 (NOK)	1		
7	10375120	Hinge	1233519 A		1		
8	10332905	Coned Disc Spring		CDW-16 (HEIWA)	1		
9	10375116	Spring		SWF40-50 (MISUMI)	1		
10	10375121	Cylinder	1233520 B		1		2674
11	11135029	Packing		SKY-25 (SAKAGAMI)	1		
12	10375139	Dust Seal		SCB-25 (SAKAGAMI)	1		
13	10375122	Piston	1233521 A		1		
14	10454903	O Ring		P-50 (NOK)	1		
15	10375123	Brake Plate	1233522 B		1		1202
16	10375124	Cylinder	1233523 B		1		2674
17	10569011	Hex Soc Cap Screw		M6X40	2		
18	10375125	Flange	1233524 A		1		2674

From Serial No.50330004 and after

Index	Parts Number	Parts Name	Drawing No.	Type(Maker)	Q'ty	Note	Rev.No.
19	10376269	Dust Seal		SCB-25 (SAKAGAMI)	4		
20	10375309	Bolt		M6X30	1		2674
21	10375115	Nut		M6	1		
22	10375710	O Ring		P20	2		
23	10375110	O Ring		P-50 (NOK)	1		2674
24	10375126	Piston	1233525 B		1		2674
25	10356502	Spring Pin		D5X20	1		
26	10379475	Hinge Stopper	1233996		1		
27	10375128	Stopper	1233527 A		1		
28	10372228	Socket Set Screw		M8X8 COP END	2		
29	10372228	Socket Set Screw		M8X12 CUP END	2		
30	10375129	Spring	1233533 B		1		2674
31	10379474	Base	1233944		1		
32	44235241	Hex Soc Cap Screw		M8X20	4		
33	10325411	Bolt		M10X45	1		
34	10371807	Nut		M10	1		
35	10375131	Cover	1233536 A		1		2674
36	10375132	Cover	1233537 B		1		2674

From Serial No.50330004 and after

Index	Parts Number	Parts Name	Drawing No.	Type(Maker)	Q'ty	Note	Rev.No.
37	10372302	Truss Head Screw		M6X12	4		
38	10328904	S Nipple	1074497		4		2674
39	10375112	Bushing		KQS06-01S	1		3084
40	10375133	Flare Pipe	1233715 B		1		2832
41	10375134	Flare Pipe	1233716 A		1		2684
42	10375113	Cord Lock		OA-W0-4 (OHM)	1		2674
43	15128006	Cord Lock		OA-1 (OHM)	2		2674
44	10379473	Urethane Tube		UH30-06 (L=4000) (JUNRON)	1		
45	10375114	Spiral Tube		SA-11X250L (MORIMIYA)	1		



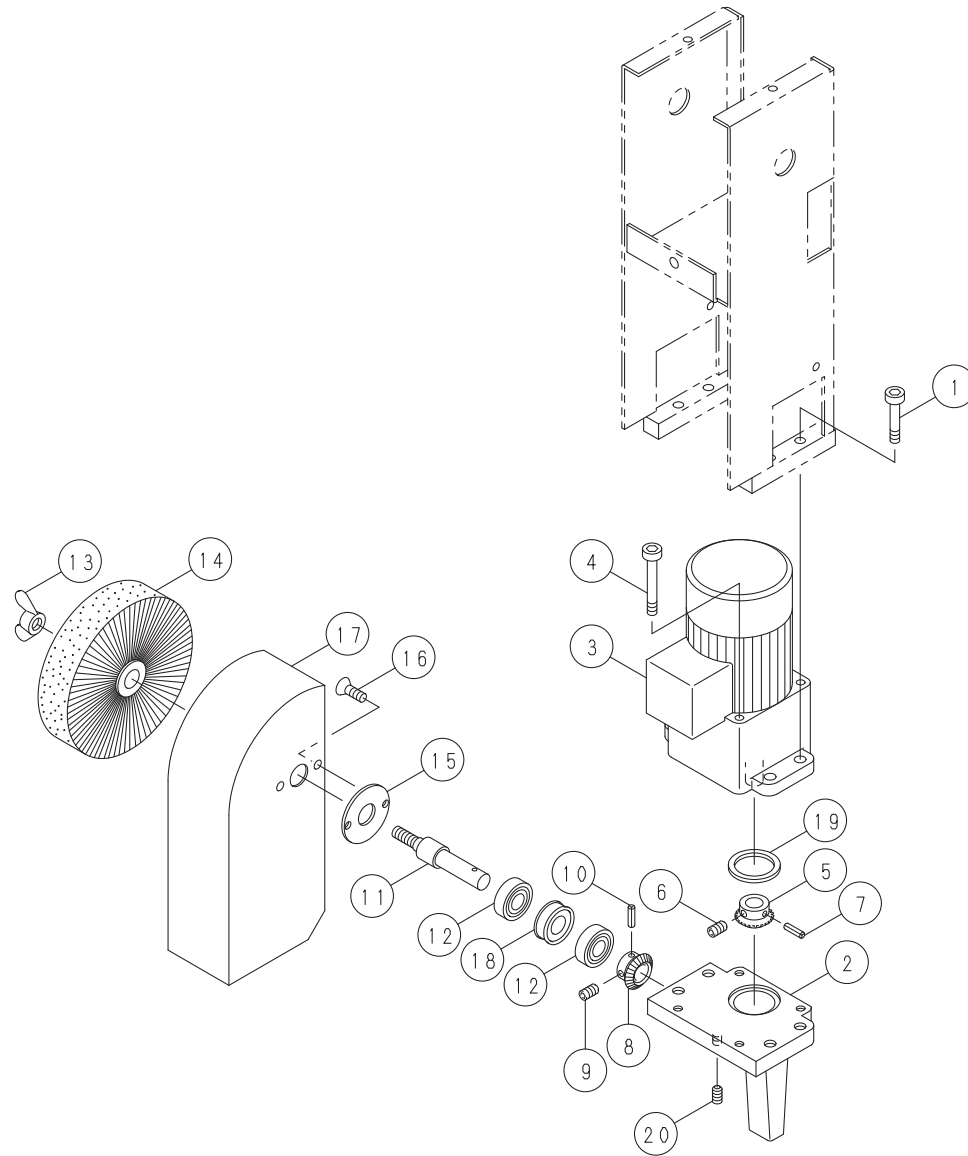


38

From Serial No.50330004 and after

## Auto Following Wire Brush (2)

UNIT NO. 38                      From serial No. 50330004 and after  
Auto Following Wire Brush (2)



From Serial No.50330004 and after

Index	Parts Number	Parts Name	Drawing No.	Type(Maker)	Q'ty	Note	Rev.No.
1	74304909	Hex Soc Cap Screw		M8X40	4		
2	10375146	Casing	1233528 A		1		
3	10375153	Geared Motor	7920894		1		
4	10556909	Hex Soc Cap Screw		M6X80	4		
5	10375147	Gear	1233529 A		1		2674
6	10335405	Socket Set Screw		M5X6 CUP END	1		
7	10375142	Spring Pin		D5X25	1		
8	10375148	Gear	1233530 A		1		2674
9	10335405	Socket Set Screw		M5X6 CUP END	1		
10	10375142	Spring Pin		D5X25	1		
11	10375149	Shaft	1233531 B		1		2674
12	31107003	Ball Bearing		6202ZZ (NTN)	2		
13	10375143	Wing Nut		M10	1		
14	10375144	Wire Brush		WH1503 D150 (ADACHI)	2		2832
15	10375150	Packing	1233532		1		
16	10372337	Screw		M6X12	2		
17	10375151	Cover	1233535 A		1		
18	10375152	Collar	1233539		1		

From Serial No.50330004 and after

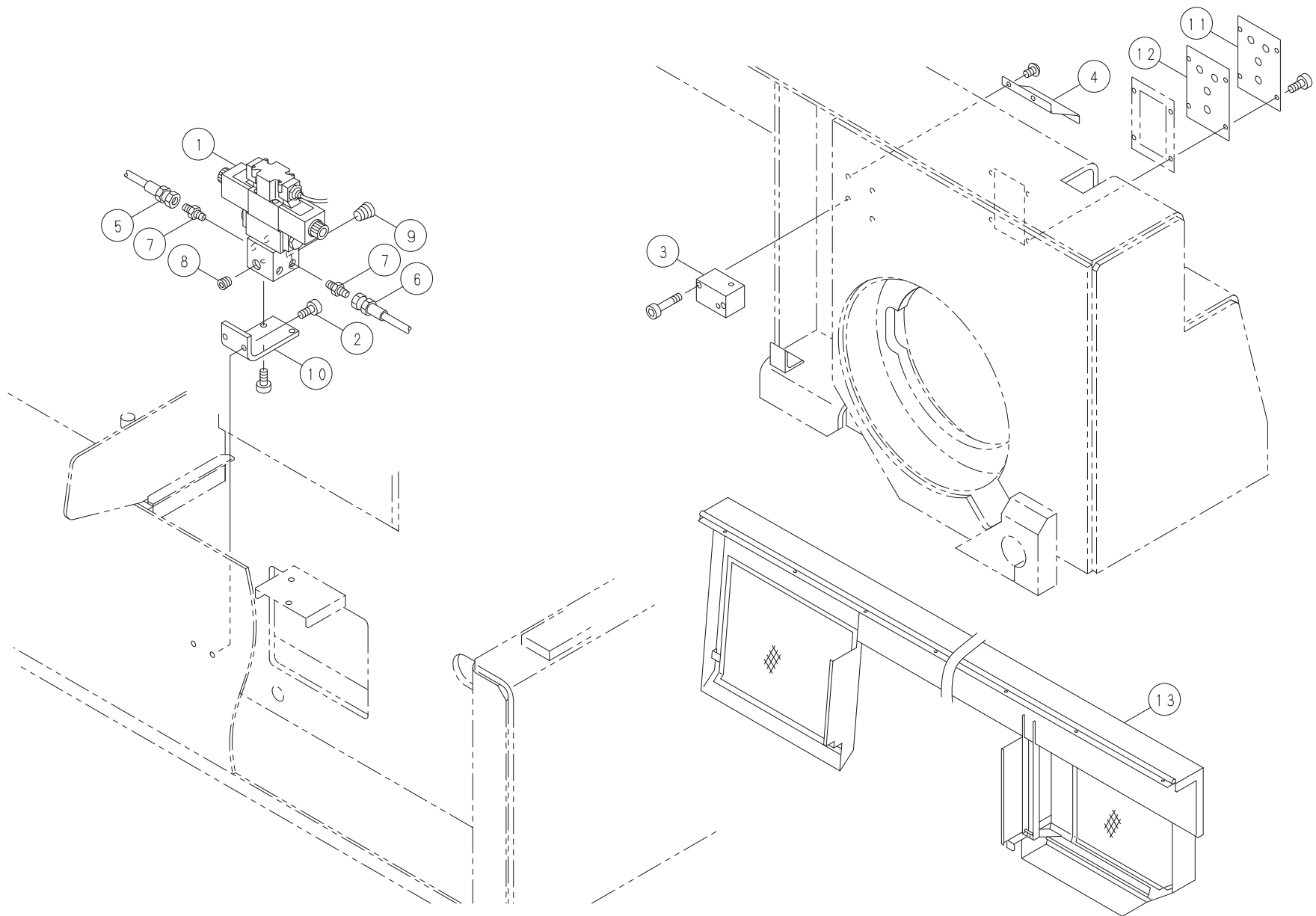
Auto Following Wire Brush (2)

Index	Parts Number	Parts Name	Drawing No.	Type(Maker)	Q'ty	Note	Rev.No.
19	10375145	Collar	1233515		1		
20	10372228	Socket Set Screw		M8X12 CUP END	2		

From Serial No.50330004 and after

## Auto Following Wire Brush (3)

UNIT NO. 39                      From serial No. 50330004 and after  
Auto Following Wire Brush (3)



From Serial No.50330004 and after

Index	Parts Number	Parts Name	Drawing No.	Type(Maker)	Q'ty	Note	Rev.No.
1	10375447	UI1 Manifold Assy	7921618		1		
2	74302815	Hex Soc Cap Screw		M6X20	2		
3	10375441	Manifold	1233792		1		
4	10375442	Cover	1233793 B		1		2684
5	10375443	Hydraulic Hose	1233794 B		2		3084
6	10376273	Hydraulic Hose	1233795		2		
7	10375436	Hose Adapter		8001RG (BSIE)	8		2674
8		Plug		PT1/4	2		
9	10378967	Plug		PT1/8	1		
10	10376272	Bracket	1233789		1		
11	10376274	Legend Plate For Guide Bracket	1237922		1		2674
12	10376275	Switch Setting Plate	1237923		1		2674
13	10379476	Wheel Cover	1233139 A		1		2944
14	10379477	Relay Terminal Assy	7920806		1		





40

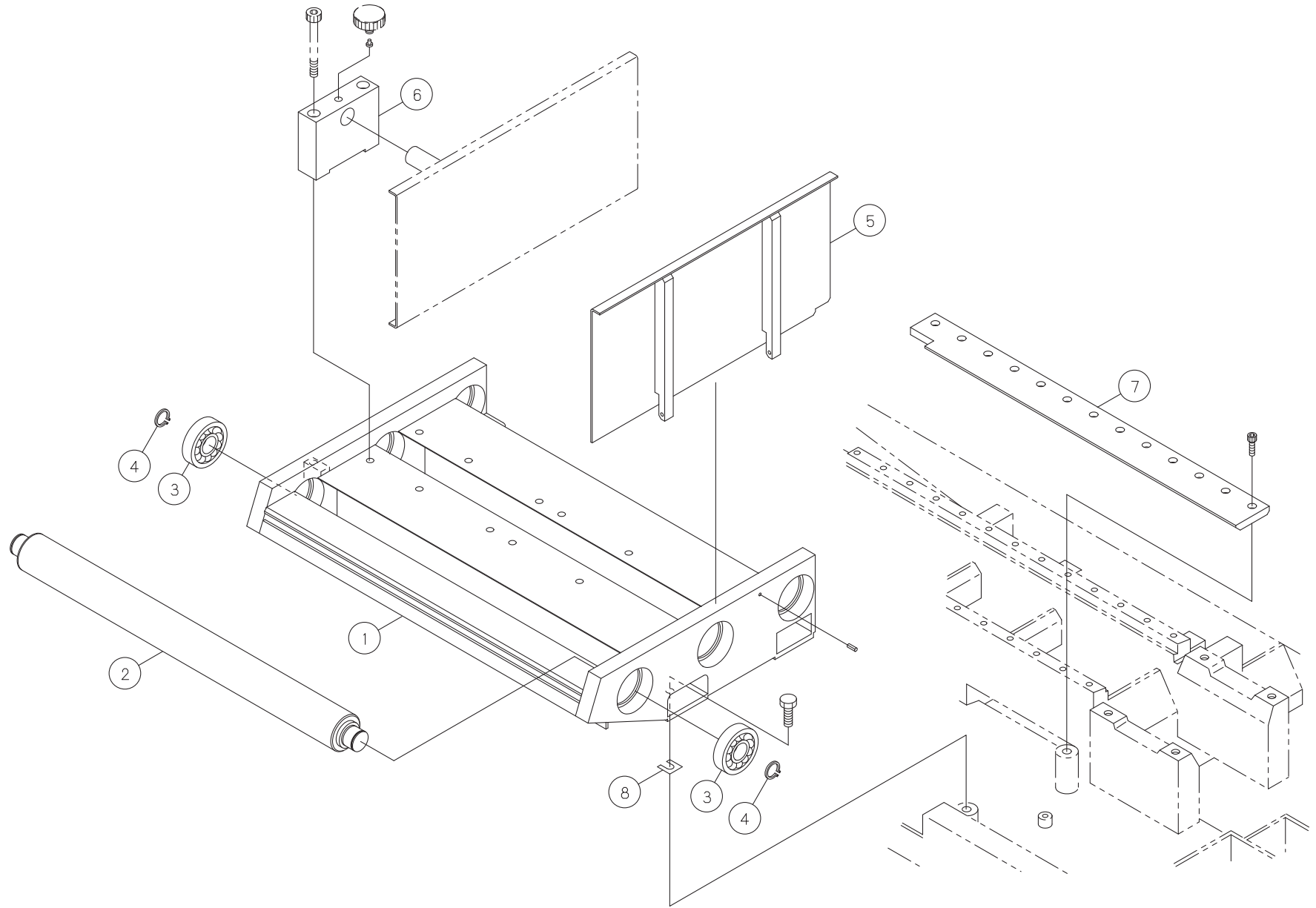
From Serial No.50330004 and after

## Work Tray(With Roller)

UNIT NO. 40

From serial No. 50330004 and after

Work Tray (With Roller)



From Serial No.50330004 and after

Index	Parts Number	Parts Name	Drawing No.	Type(Maker)	Q'ty	Note	Rev.No.
1	10572001	Work Tray With Roller	1233814 A		1		
2	10572005	Roller	1233815		3		
3	10572035	Ball Bearing		#6307DDU	6		
4	10570327	Snap Ring		STW35	6		
5	10572010	Fence (R)	1233816		1		
6	10572015	Bracket	1233817		1		
7	10572020	Slide Plate	1233818		1		
8	10572050	Shim	1233819		4		



This PARTS LIST is printed on recycled paper.

