



DIVERSITECH
Air Pollution Solutions

Operation & Maintenance Manual

FRED JR



TOOLING & MACHINERY

COMPLETE METALWORKING SOLUTIONS

(800) 991-4225

www.ahbinc.com

ISO Certified

customerservice@ahbinc.com



READ AND SAVE THESE INSTRUCTIONS

Visit our Website for more information on this product

www.diversitech.ca

1200 55th Avenue, Montreal, Quebec H8T 3J8

Tel: 1.800.361.3733 | Fax: 1.514.631.9480 | info@diversitech.ca

Table of Contents

SECTION 1 – SAFETY PRECAUTIONS OF FUME & DUST EXTRACTION/COLLECTION	3
1.1 Symbols	3
1.2 User Responsibility	3
1.3 Fume Extraction Hazards	3
1.4 Dust Collection Hazards	3
1.5 Safety Stickers	4
SECTION 2 – SPECIFICATIONS	4
2.1 Diagram & Description	4
2.2 Product Specifications	5
2.3 Dimension	5
2.4 Filter Specifications	5
SECTION 3 – SETUP / INSTALLATION	6
3.1 To Setup or Install Safely	6
3.2 Un-Packaging	6
3.3 Tools Required	6
3.4 Mounting Options	6
3.5 Electrical Options	6
SECTION 4 – OPERATION	7
4.1 To Operate Safely	7
4.2 Controls	7
4.3 Pre-Use Checklist	7
4.4 Principles of Operation	8
4.5 Failure Event	8
SECTION 5 – MAINTENANCE & TROUBLESHOOTING	9
5.1 To Maintain this Product Safely	9
5.2 Tools Required	9
5.3 Routine Maintenance Schedule	10
5.4 Servicing Filter	10
5.5 Troubleshooting Procedure	11
SECTION 6 – DECOMMISSIONING	12
6.1 To Decommission this Product Safely	12
6.2 Tools Required	12
6.3 Conformity with Recycling Regulations	12
APPENDIX 1A – ELECTRICAL DIAGRAM MANUAL [120 VAC] Single Phase Power	13
APPENDIX 1B – ELECTRICAL DIAGRAM MANUAL [230/460/575v] 3-Phase Power	14
APPENDIX 2 – MAINTENANCE RECORD	15
APPENDIX 3 – ARM-TO-BLOWER DIRECT INSTALLATION	16,17
APPENDIX 4 – FILTER INSTALLATION	18,19,20
APPENDIX 5 – REPLACEMENT PARTS.....	21
APPENDIX 6 – SAMPLES SAFETY STICKERS	22
NOTES.....	23
Limited Equipment Warranty	Back Cover
Freight Claims	Back Cover
Return Material Policy	Back Cover

SECTION 1 - SAFETY PRECAUTIONS OF FUME & DUST EXTRACTION/COLLECTION



READ
BEFORE
USE

This manual contains specific cautionary statements related to worker safety. To protect yourself and others, read this manual thoroughly and follow as directed before use. Not all hazards of fume & dust control are listed in this manual, and no hazards related to welding, cutting, grinding, painting, deburring or other applications are listed. Consult a qualified safety professional.



DO
NOT
USE

Do not use this equipment:

- To extract combustible dusts, liquid vapors, aggressive fumes such as acids.
- To extract smoke or fumes above 180°F / 82°C.
- If the power cord has been damaged or ground (third prong) removed.
- Without a filter.

1.1 Symbols

This manual uses several symbols to highlight specific hazards. Be familiar with these symbols and when you see them in this manual, read adjoining warning text to avoid the hazard.



WARNING!
DANGER!



ELECTRIC
SHOCK



MOVING
PARTS



HOT
PARTS

1.2 Users Responsibility

- Improper use can be hazardous.
- All users must carefully read and understand this instruction manual prior to use
- No objects, such as tools, should be placed on the machine.
- When moving machine, care should be taken to ensure the users feet remain clear of the wheels.
- Machine weights 474 lbs without a capture arm, proper care should be taken when moving.
- Motor should not contact any objects, and all motor repairs should be performed while the power switch is off and the power source is disconnected. Operator should not touch motor during use.
- Blower assembly should not contact any objects, and all blower repairs should be performed while the power switch is off and the power source is disconnected. Operator should not touch blower during use.
- For maintenance of any and all components, power switch must be off and the power source disconnected
- It is your responsibility to follow all applicable ANSI, OSHA, UL, CSA, National & Local Fire Codes, and other regulatory guidelines covering the safe use of equipment that extracts fumes, collects dusts, and exhausts filtered air either indoors or outdoors.
- Before use, inspect the unit for damage and verify it is working properly.
- Only qualified persons should install, operate, maintain, or repair this unit.
- Do not modify or repair the unit with parts or accessories not supplied by the manufacturer.
- Consult filter manufacturer's instructions for filter use and reuse, including instructions for cleaning.

1.3 Fume Extraction Hazards

- Breathing smoke, fumes, or dusts produced in applications such as welding, cutting, grinding, painting, deburring are hazardous to user's health. Proper ventilation or use of well maintained fume extraction and/or dust collection equipment helps the user avoid these hazards.
- Breathable contaminants may not be visible or have an odor.
- Stop operation and leave the area immediately if 1) breathing becomes difficult, 2) experience dizziness, impaired vision, 4) or eye/nose/mouth irritation.

1.4 Dust Collection Hazards

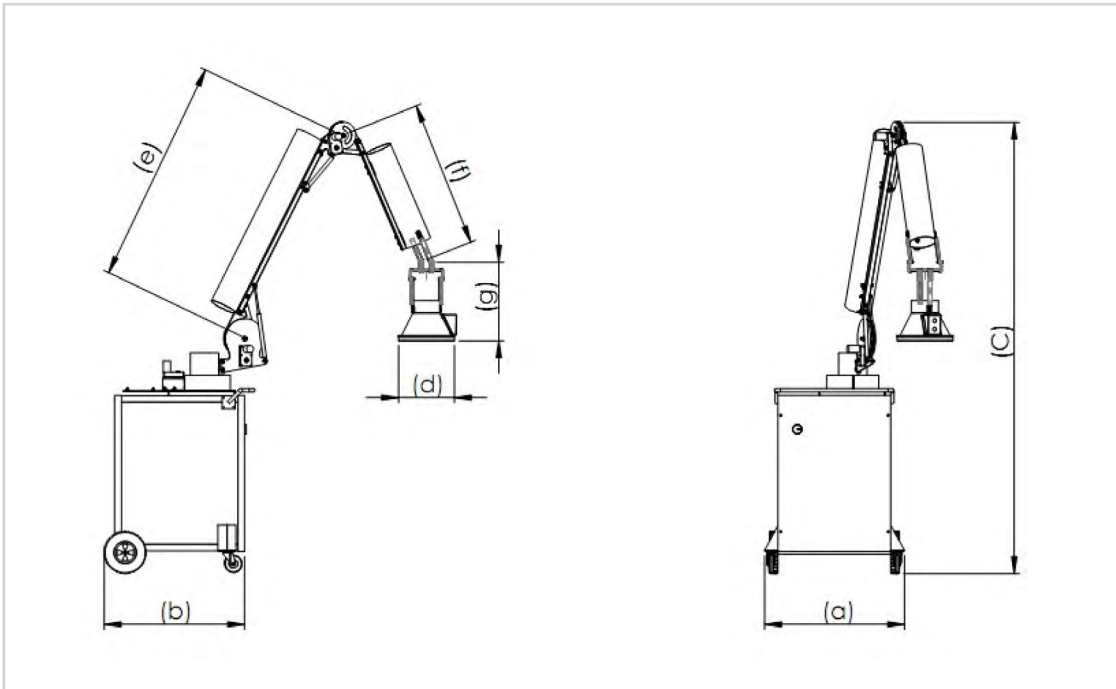
- Dusts from many metalwork, welding, cutting, grinding, painting, or deburring applications can be combustible.
- Do not use or install equipment where any potential for combustible fumes or dusts are present, until a qualified person has indicated it is safe to do so.
- Never use or install equipment where the potential for combustible fumes or dusts are present without a fire/explosion protection system.
- If you are unsure if the product you purchased is correct for your application, call Diversitech at 1-800-361-3733.

1.5 Safety Stickers

- This machine is equipped with safety stickers to remind operators of the inherent dangers during use and maintenance.
- The stickers are only reminders, and all safety precautions contained in this manual must be well understood and adhered to by all users.
- See **APPENDIX 6: Sample Safety Stickers** for example of stickers applied to machine.

SECTION 2 - SPECIFICATIONS

2.1 Diagram & Description



2.2 Product Specifications

Model	Nominal Airflow (CFM)	Motor (H.P)	Power					Cord Length (ft.)	Arm Length (ft.)
			Phase (hz)	@120V (amps)	@230V (amps)	@440V (amps)	@575V (amps)		
FRED-JR with externally articulated manual capture arm									
FRED-JR	1200	1.5	1P/60Hz	13.2	---	---	---	15	10/13
	1800	3.0	3P/60Hz	---	7.1	3.7	3.2	---	10/13
FRED-JR with Fume Tracker™ hands-free capture arm									
FRED-JR-T	1200	1.5	1P/60Hz	13.2	---	---	---	15	10/13
	1800	3.0	3P/60Hz	---	7.1	3.7	3.2	---	10/13

2.3 Dimensions

Model	Arm Length (ft.)	Arm Diameter (ft.)	Footprint (in.)						
			Width [a]	Height [C]	Length [b]	[d]	[e]	[f]	[g]
FRED-JR with externally articulated manual capture arm									
FRED-JR	10	6	32.5	115	33	13	60	34	18.5
	13	6	32.5	128	33	13	60	60	18.5
FRED-JR with Fume Tracker™ hands-free capture arm									
FRED-JR-T	10	6	32.5	115	33	13	60	34	18.5
	13	6	32.5	128	33	13	75	34	18.5

2.4 Filter Specifications

Description	Stage	Part #	Filter Area (sq. ft.)	Filter Efficiency	Reusable
Nanofiber Filter	Primary	S-JR-26NF	320	MERV 15	Yes
Spunbond Poly Filter	Primary	S-JR-26PT	169	MERV 11	Yes
HEPA Filter	After-Filter	S-JR-1009	---	MERV 17	No

For information on inspecting and cleaning filter, or purchasing replacement filters, contact Diversitech at 1-800-361-3733.

SECTION 3 - PRE-INSTALLATION

3.1 To Setup or Install Safely



- Do not place unit near flammables or combustible surface.
- Refer to **SECTION 2: Specifications**, to know the electrical requirements of the unit you are installing and ensure adequate input power that is properly sized, rated, and protected.
- This unit must be grounded for safe operation.

3.2 Un-Packaging

1. Immediately upon receiving the unit, carefully examine the carton for damage during transit.
2. Use lift forks or truck to move
3. Remove packing material.
4. Avoid tipping or inverting during handling.
5. The item serial number, model, and electrical ratings are listed on the nameplate. Record this information in the Maintenance Record provided in **APPENDIX 2: Maintenance Record**, or your own preventative maintenance system.

3.3 Tools Required

1. 7/16 Socket or Wrench
2. 9/16 Socket or Wrench
3. Torque Wrench

The tools above are required for unit assembly.

3.4 Mounting Options

- Arm-To-Blower Direct Installation: Follow guidelines in **APPENDIX 3: Arm-to-Blower Direct Installation**.

3.5 Electrical Options

- Single-Phase Unit: See **APPENDIX 1A: Electrical Diagram [120 VAC] Single-Phase Power** for wiring instructions. Have a certified electrician install unit according to local regulations.
- 3-Phase Unit: See **APPENDIX 1B: Electrical Diagram [230/460/575 VAC] 3-Phase Power** for wiring instructions. Have a certified electrician install unit according to local regulations.

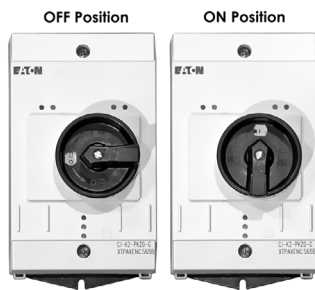
SECTION 4 - OPERATION

4.1 To Operate Safely



- Read and understand **SECTION 1: Safety Precautions** and **SECTION 4: Operation before use**
- Read and understand all Material Safety Data Sheets and Manufacturer's instructions of all process materials, consumables, and equipment used in conjunction with this equipment.
- Keep away from all mechanical moving parts including motor, gears, and other pinch points.
- Do not use product without first confirming if a Spark Arrestor is required and installed for the type of dust, or fumes you are extracting and/or collection. If you are unsure, call a Diversitech representative at 1-800-361-3733.

4.2 Controls



- The machine controls are basic, and consist solely of a power switch with ON and OFF positions.



- If the machine is equipped with a Minihelic differential pressure gauge, the Minihelic should read between .8 and 4.2 inches W.C. during normal operation.
- For a reading of more than 4 inches W.C, consult **SECTION 5: Maintenance and Troubleshooting** as filter servicing may be required.

4.3 Pre-Use Checklist

- Read and understand **SECTION 1: Safety Precautions** and ensure **SECTION 3: Pre-Installation** has been followed.
- Before plugging unit in to an input power source, look at the manufacturer's label located on the exterior of the unit and ensure the source is correctly sized in terms of Voltage and Amperes.
- Prior to use in your application, turn the unit ON, and perform a function test. To do so:
 1. LOOK: Have the front and back doors been closed properly.
 2. Turn switch to ON position.
 3. LOOK: Is the unit level, stable, and that nothing is obstructing the extraction path.
 4. LISTEN: Does the motor and suction sound smooth and within expected volumes.
 5. FEEL: Place your hand on top of the unit and sense for unexpected vibration. Place your hand in front of the intake hood/surface and sense for expected level(s) of suction.
- Inform all potential users of this equipment where they may find and review this manual.

4.4 Principles of Operation

This product is designed to capture and clean smoke and dust from medium & heavy duty welding, soldering, and grinding applications. When operating, air is drawn in to the nozzle, passes through the 6" diameter hose, then through the air cleaner's filtration system, and is exhausted through the rear discharge.

This product consists of four basic components:

1. Capture Arm(s)
2. A blower
3. Cartridge Filter
4. Motor & Electrical assemblies

- The operator is to position the machine within operating distance, and activate the caster wheel brakes.
- The operator can then position the capture arm close enough to the worksite to capture all dust and fumes that will be produced.
- Ensuring that all safety procedures have been followed, the operator can turn on the machine and begin working.
- When not in use, the machine should be turned off.

4.5 Failure Event

If, for some reason, during operation there is an accident, a blockage occurs, the Minihelic displays abnormal pressure differences, or the machine begins to act abnormally, the operator should immediately shut off the machine. This is considered a machine failure and the following steps should be taken:

1. Turn the power switch to the OFF position.
3. Seek medical attention if an accident occurred.
4. Follow the guidelines in **SECTION 5: Maintenance and Troubleshooting**.

Remember, under no circumstance should the machine be turned back on while performing maintenance.

SECTION 5 - MAINTENANCE & TROUBLESHOOTING

5.1 To Maintain this Product Safely



- Read and understand SECTION 1: **Safety Precautions** and SECTION 4: **Operation before maintenance**.
- Do not breathe the dust collected from product while changing/cleaning filters or performing maintenance on this product.



- Disconnect power before performing any maintenance on unit, including filter inspection. The input power to this unit is high voltage, and touching any live electrical parts can cause fatal shocks or severe burns. Do not touch live electrical parts.



- Keep away from all mechanical moving parts including motor, gears, and other pinch points while operating.



- Operating this unit causes some parts to heat to a point that will burn bare hands. Before maintenance allow parts to cool, or use proper tools and personal protection equipment during maintenance.

5.2 Tools Required



EYE
PROTECTION



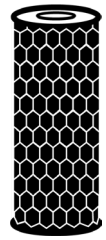
RESPIRATOR



GLOVES




WASTE
CONTAINER



REPLACEMENT
FILTER
(if required)

5.3 Routine Maintenance Schedule

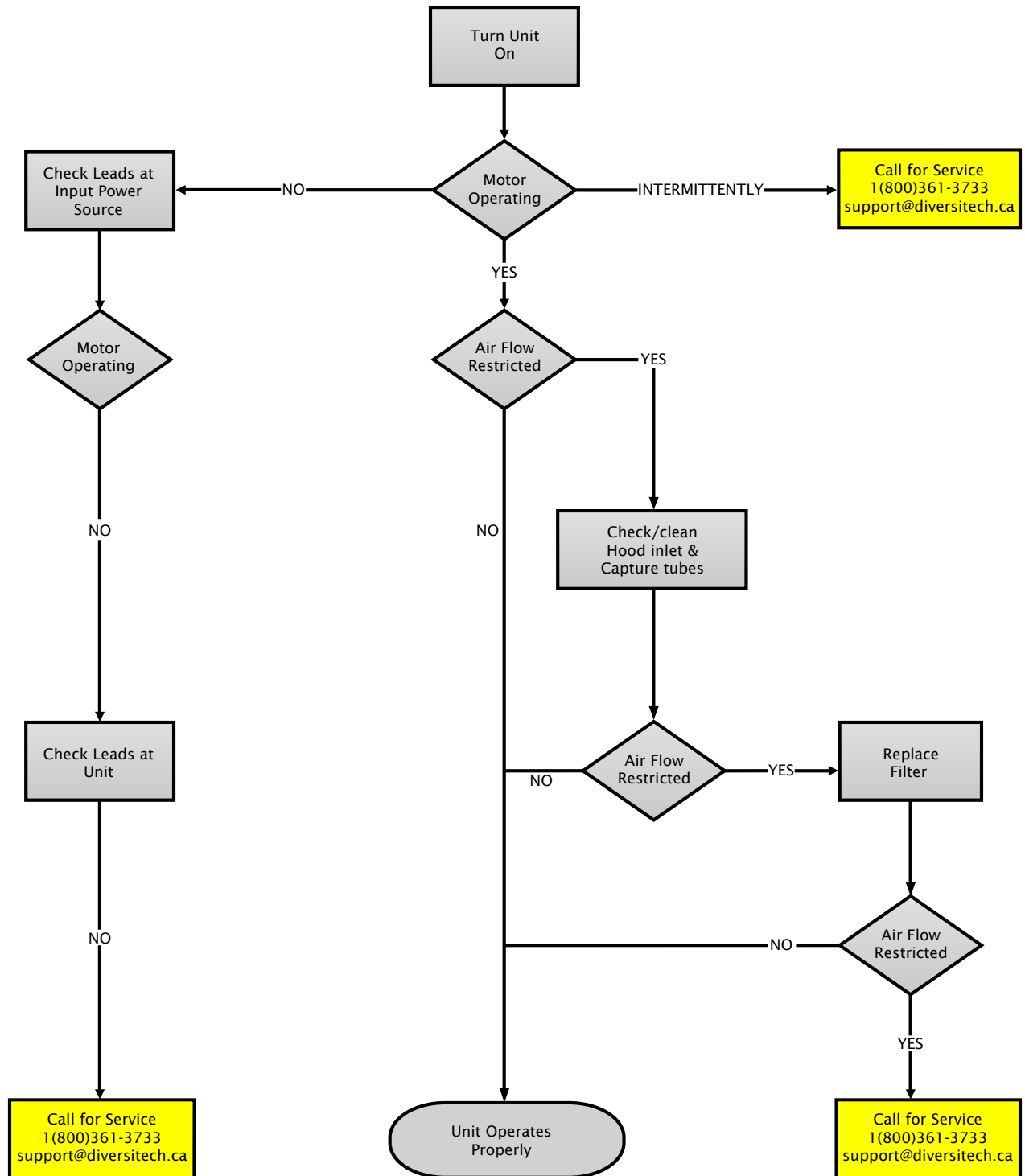
The manufacturer recommends the following routine maintenance based on light-duty use in normal operating conditions. Service more frequently if the unit is used in severe conditions.

Frequency	Manual Reference
Pre-Use	
<ul style="list-style-type: none"> Perform pre-use checklist to ensure operating correctly. 	4.3
Clean Filter	
<ol style="list-style-type: none"> Place filter in garbage bag with the open end facing down Blow off the filter cartridge using dry shop air Material will collect in the bag for easy disposal 	
As Required – Replace Filter	
<ol style="list-style-type: none"> Replace Filter 	
Every (12) months Inspect Basic Components	
<ol style="list-style-type: none"> Clean unreadable labels and exterior surfaces Capture Arm: Check for tears in flex hoses and fitting of hose clamps Cabinet: Look for loose wiring. 	

5.4 Servicing Filter

- Review Section 5.1: To Maintain this product Safely
- Consult **APPENDIX 4: Filter Installation.**
- Turn off power and disconnect input power cord.
- Detach Rear Panel by first unclasping twist-lock latches located on rear of the main body.
- Push the Retention Rod Handle to the forward most position
- Slide and lock the Locking Bolt in the left most position
- Pull the Retention Rod Handle to lower the filter
- Remove filter by gently sliding out of enclosure so as to minimize agitating dirt and dust, and place it in a bag/container.
- Clean filter:
 - Use clean/dry air only at a pressure not more than 80 psi at 12" from media.
 - Direct the compressed air through the filter from the clean side, running the nozzle up and down the filter pleats.
 - Do not bring either nozzle in contact with the filter media as damage is likely to occur.
- Inspect filter for any damage and replace if necessary.
- Clean cabinet interior of dirt and debris.
- Reassemble:
 - Pull Retention Rod Handle to lowest position to allow space for filter.
 - Slide in clean filter.
 - Push Retention Rod Handle to forward most position.
 - Slide and lock the Locking Bolt in the right most position, ensuring it locks the Retention Rod Handle.

5.5 Troubleshooting Procedure



SECTION 6 - DECOMMISSIONING

6.1 To Decommission this Product Safely



- Read and understand SECTION 1: **Safety Precautions** and **SECTION 4: Operation** before maintenance.
- Do not breathe the dust collected from product while changing/cleaning filters or performing maintenance on this product.



- Disconnect power before performing any maintenance on unit, including filter inspection. The input power to this unit is high voltage, and touching any live electrical parts can cause fatal shocks or severe burns. Do not touch live electrical parts.



- Keep away from all mechanical moving parts including motor, gears, and other pinch points while operating.



- Operating this unit causes some parts to heat to a point that will burn bare hands. Before maintenance allow parts to cool, or use proper tools and personal protection equipment during maintenance.

6.2 Tools Required

1. 7/16 Socket or Wrench
2. 9/16 Socket or Wrench

The tools above are required for unit dismantling. Follow Section 3.5, and Appendix 3, 4 for instructions.

6.3 Conformity with Recycling Regulations

- All dismantling procedures should be made in compliance with appropriate laws governing the recycling and disposal of materials.
- This machine may contain, but is not limited to:
 1. Steel
 2. Plastic
 3. Rubber
 4. Electrical Conductors
 5. Aluminum
 6. Paint
 7. Magnetic Material
 8. Nano-Fiber Filter
 9. Dust and Debris from use

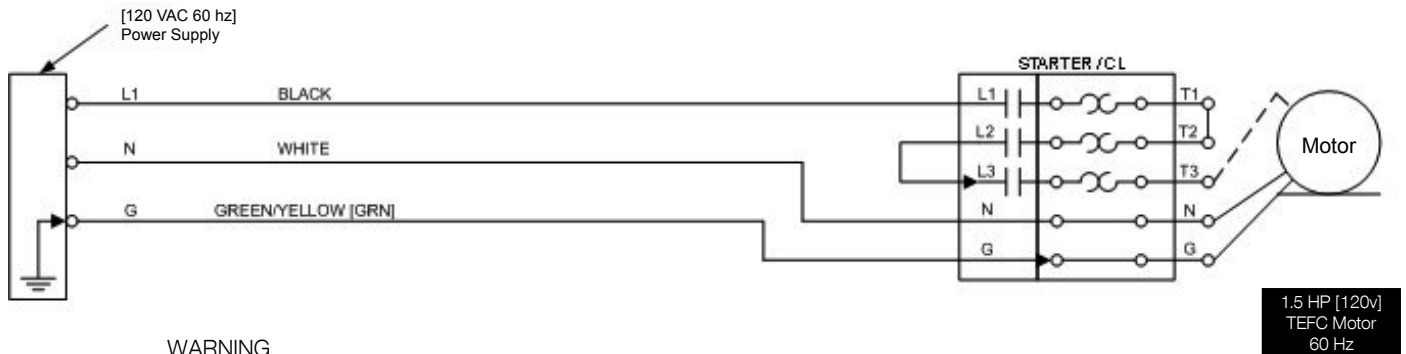
APPENDIX 1A - ELECTRICAL DIAGRAM MANUAL

[120 VAC] Single-Phase Power



**ELECTRIC
SHOCK
HAZARD**

Disconnect power before performing any maintenance on unit, including filter inspection. The input power to this unit is high voltage, and touching any live electrical parts can cause fatal shocks or severe burns. Do not touch live electrical parts.



WARNING

Do not route auxiliary contact cable in the same conduit as motor cable

NOTE

Specific transformer wiring may differ depending on voltage configuration.

Units in brackets [] refer to imperial system values

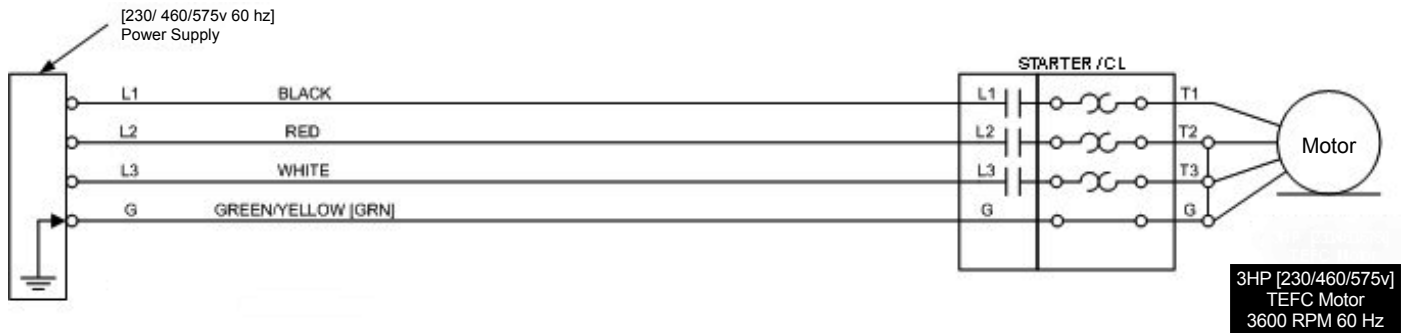
APPENDIX 1B - ELECTRICAL DIAGRAM MANUAL

[230/460/575V] 3-Phase Power



**ELECTRIC
SHOCK
HAZARD**

Disconnect power before performing any maintenance on unit, including filter inspection. The input power to this unit is high voltage, and touching any live electrical parts can cause fatal shocks or severe burns. Do not touch live electrical parts.



WARNING

Do not route auxiliary contact cable in the same conduit as motor cable

NOTE

Specific transformer wiring may differ depending on voltage configuration.

Units in brackets [] refer to imperial system values

APPENDIX 2 - MAINTENANCE RECORD

Diversitech Inc. authorizes this page to be photocopied or otherwise reproduced as needed for management of maintenance records.

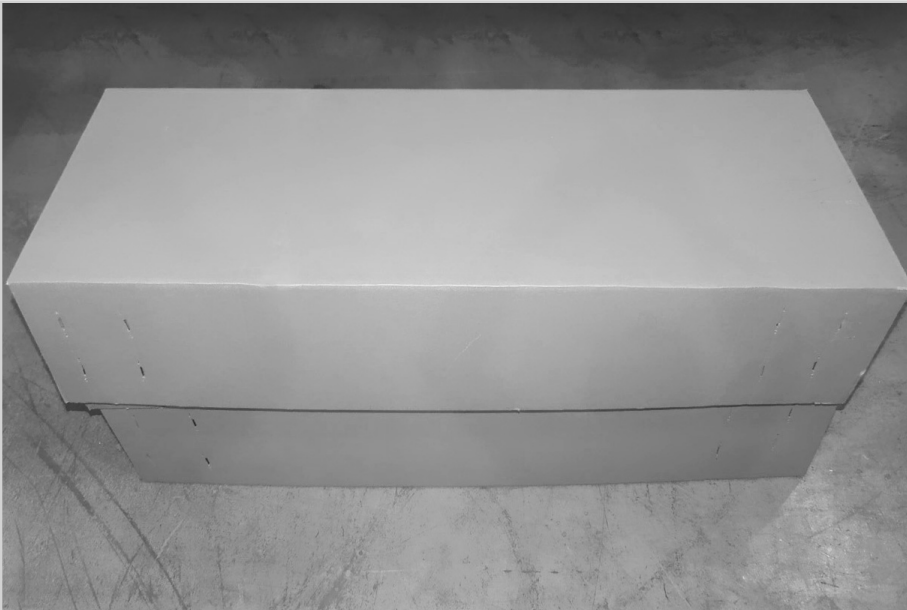
MANUFACTURER:	DIVERSITECH INC.	MODEL N°	FRED-JR	SERIAL N°	
SERVICE LOCATION:				CONTROL N°	

Date	Description of Service	Serviced By	Location	Comments

Only use manufacturer approved replacement parts on this unit.

APPENDIX 3 - ARM-TO-BLOWER DIRECT INSTALLATION

3.1 Unpack capture arm, hood, and base



STEP 1. Unpack capture arm, hood, and base.



Capture Arm

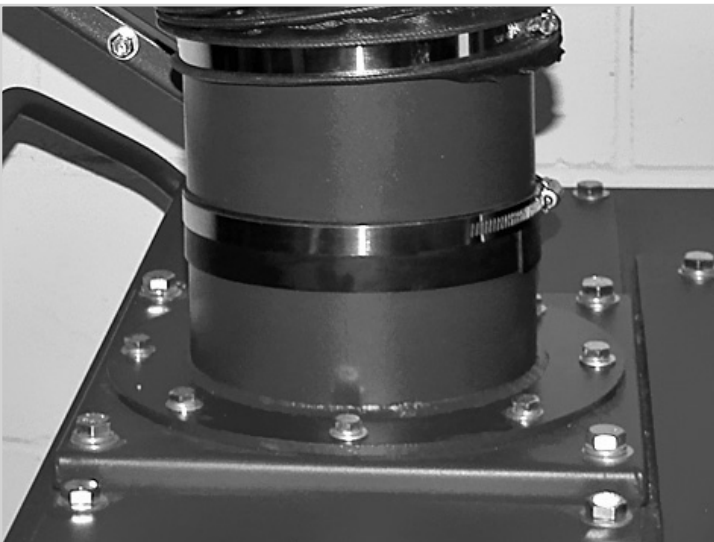


Swivel Base



Vent Hood

3.2 Attach swivel base to mounting plate

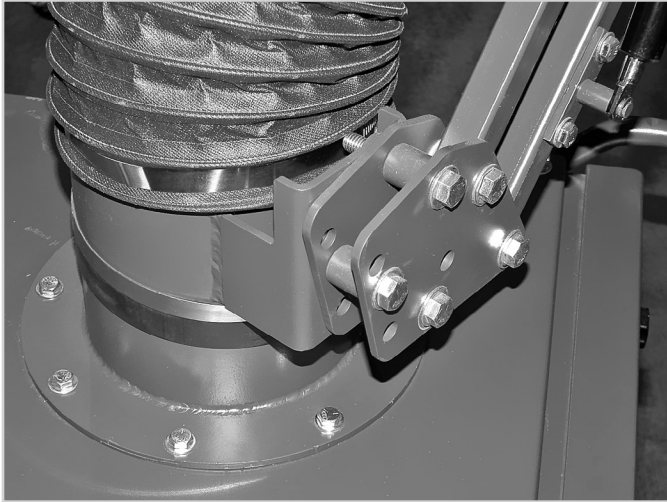


STEP 2. Attach swivel base to mounting plate.

- Mount Swivel Base to Mount Plate.
- Tighten all Bolts (8) with Washers (8)
- Torque each bolt to 23 N m

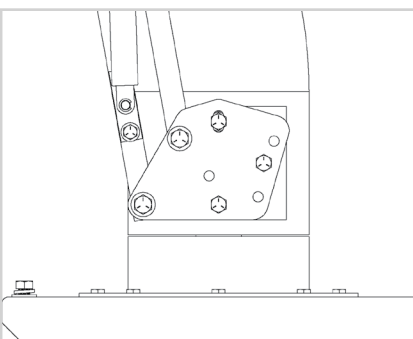
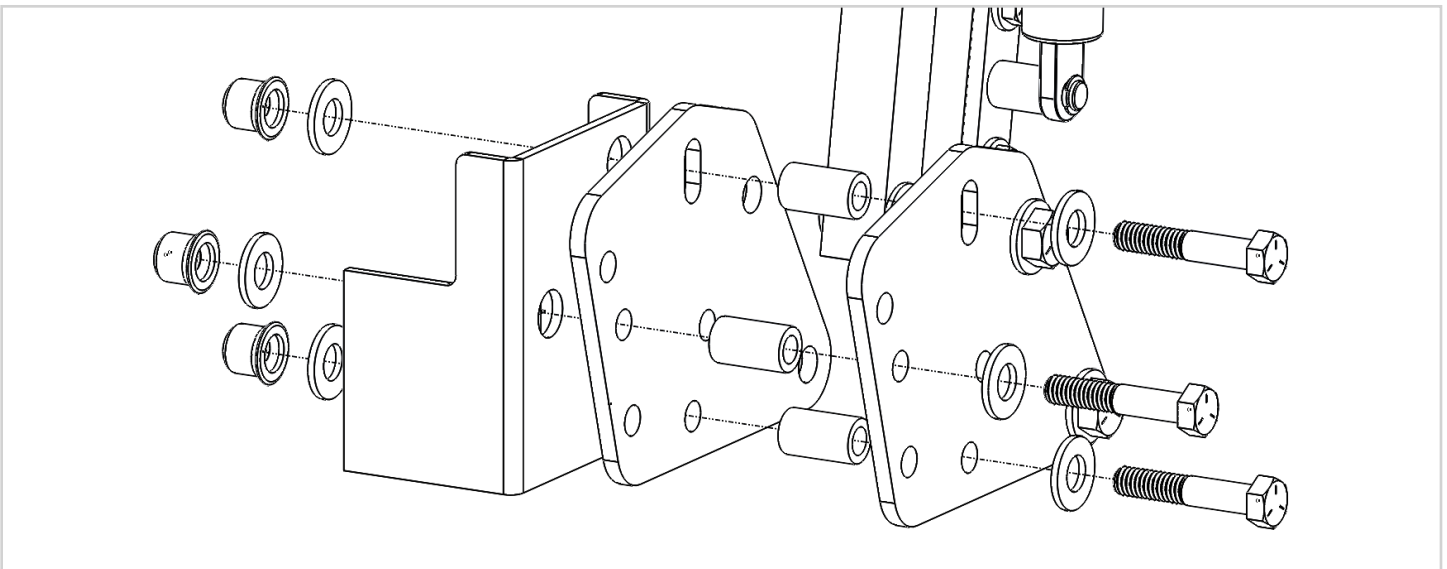
Quantity	Hardware
1	Mounting Plate
1	Swivel Base
8	1/4" Bolt, Socket Cap
8	1/4" Washer

3.3 Attach capture arm to swivel base



STEP 3. Attach capture arm to swivel base.

Quantity	Hardware
1	Swivel Base
1	Capture Arm Assembly
3	1/4" Bolt, Socket Cap
6	1/4" Washer
3	1/4" Locking Nut
3	1/4" Spacer



- Insert Spacers (3) between Capture Arm Mounting Bracket.
- Thread Bolts (3) with Washers (3) through Mounting Bracket and Spacers.
- Mount Capture Arm Assembly to Swivel Base.
- Thread Washers (3) and Locking Nuts (3) to Bolts (3)
- Tighten all Bolts (3) to Locking Nuts (3)
- Torque each bolt to 40 N m

3.4 Install flex hose



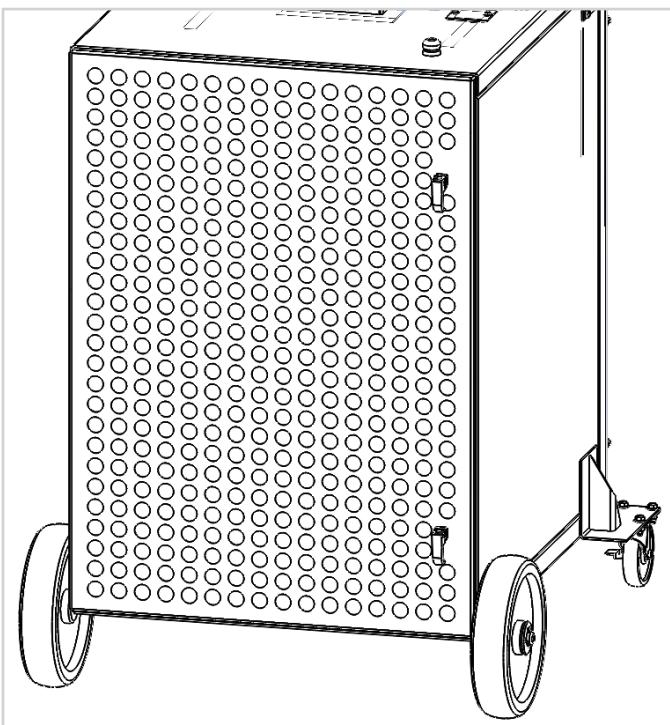
STEP 4. Install flex hose.

- Mount Flex Hose to Swivel Base and Capture Arm.
- Tighten Both Hose Clamps.

Quantity	Hardware
1	Fred-JR Assembly
2	Hose Clamps
1	Flex Hose

APPENDIX 4 - FILTER INSTALLATION

4.1 Opening rear panel for filter access

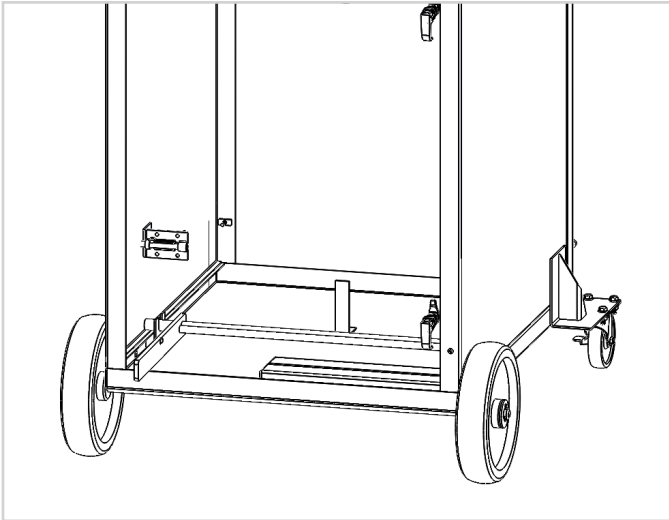


STEP 1. Opening rear panel.

- Twist and release Twist Lock Latches.
- Open Rear Panel.

Quantity	Hardware
1	Fred-JR Assembly
1	Rear Panel
2	Twist Lock Latches

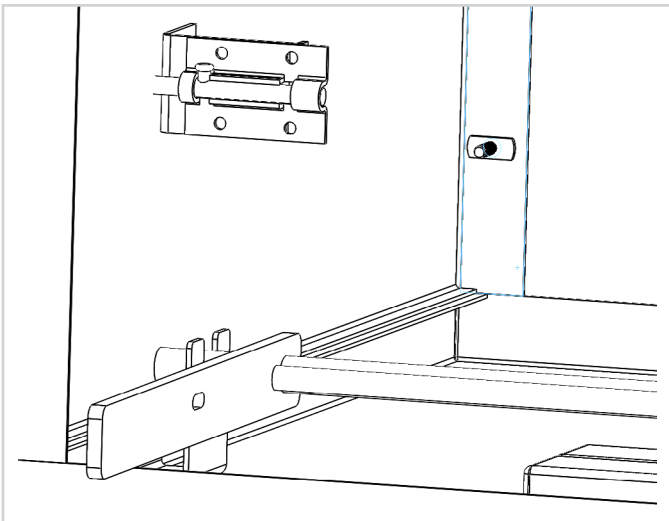
4.2 Preparing for filter



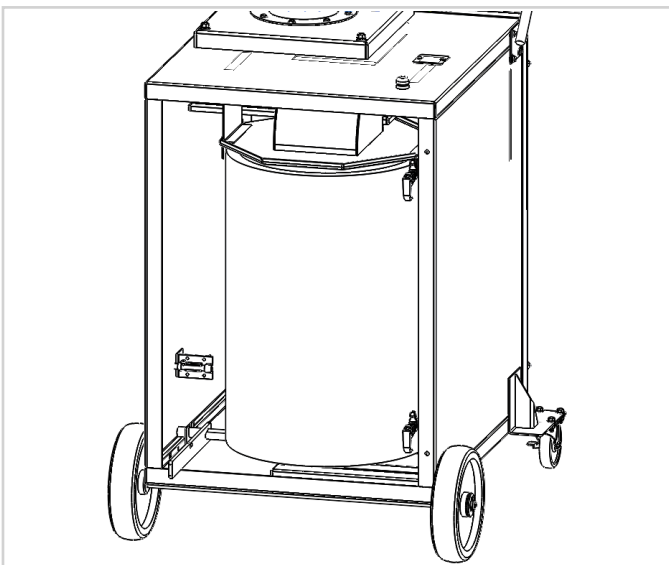
STEP 2. Preparing for filter.

- Slide and lock the Locking Bolt in the left most position.
- Pull Retention Rod Handle to allow space for filter.

Quantity	Hardware
1	Fred-JR Assembly
1	Locking Bolt
1	Retention Rod Handle



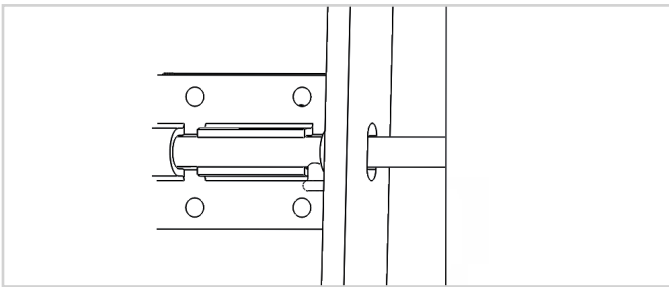
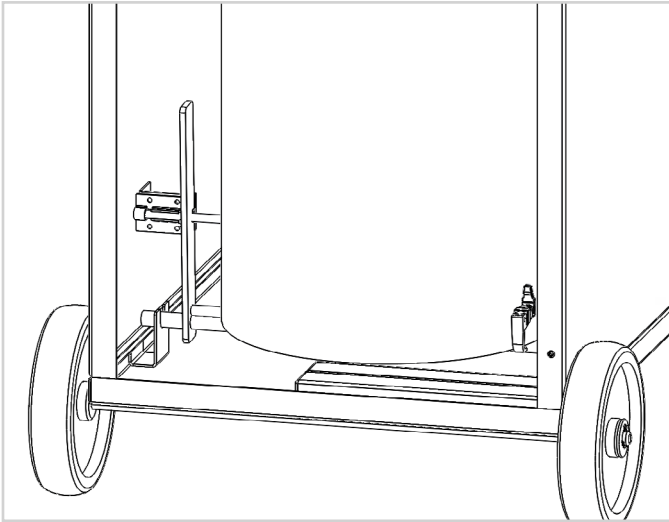
4.3 Inserting filter



STEP 3. Insert clean filter.

Quantity	Hardware
1	Fred-JR Assembly
1	Locking Bolt
1	Retention Rod Handle
1	Filter

4.4 Locking filter

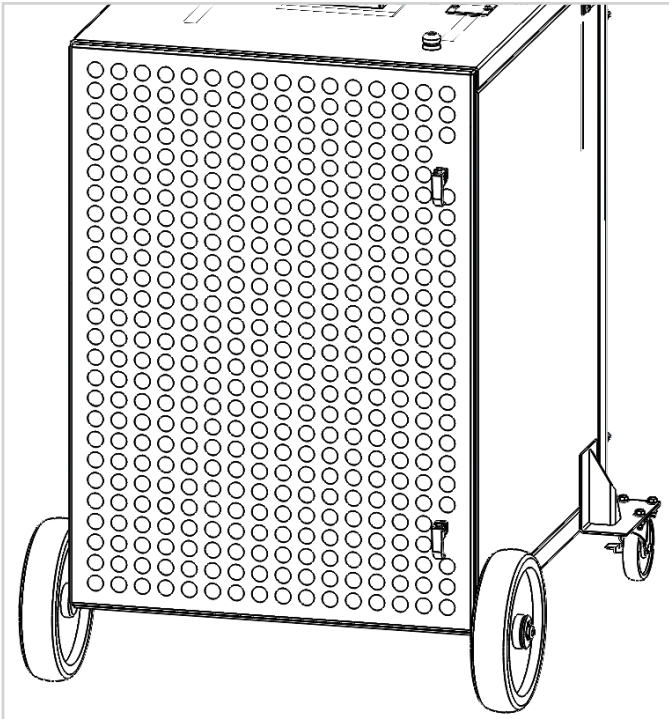


STEP 4. Locking filter.

- Push Retention Rod to forward most position
- Slide and Lock the Locking Bolt to the right most position and lock.

Quantity	Hardware
1	Fred-JR Assembly
1	Locking Bolt
1	Retention Rod Handle
1	Filter

4.3 Closing rear panel for filter access

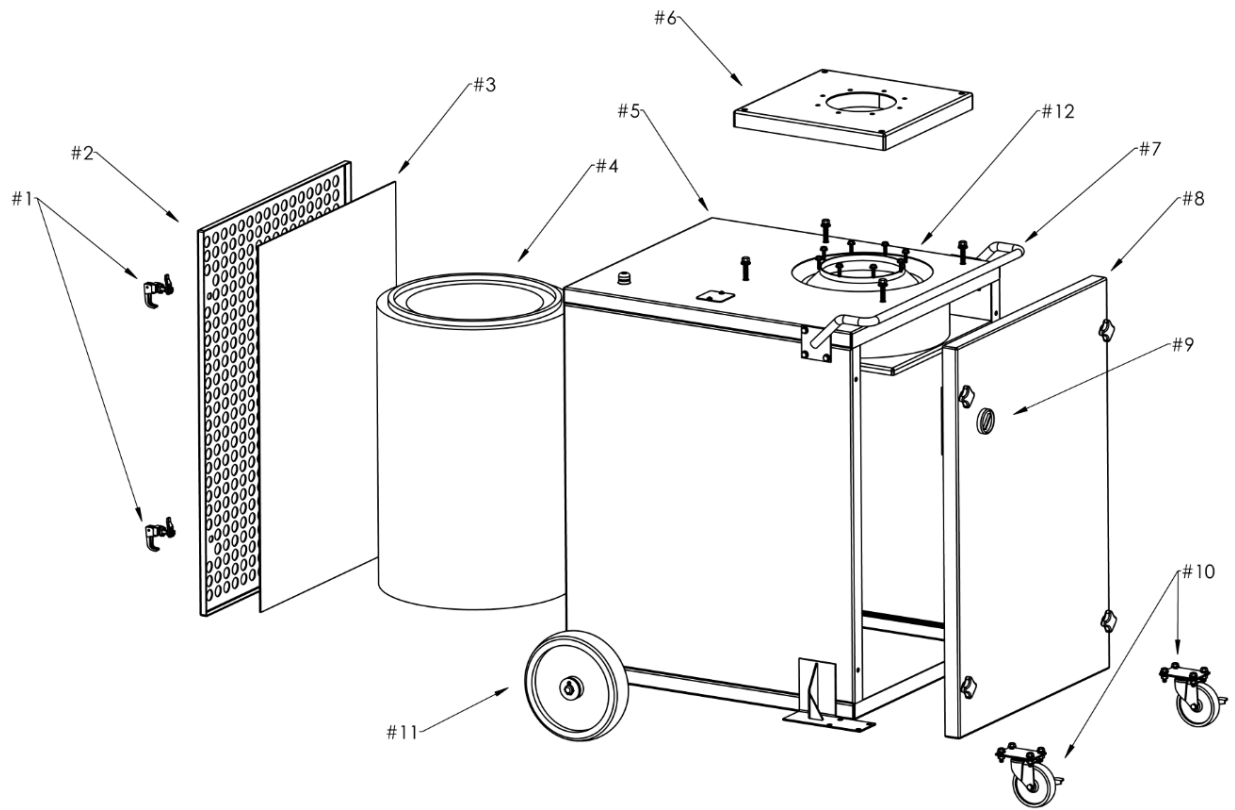


STEP 5. Closing rear panel.

- Close Rear Panel.
- Twist and release Twist Lock Latches.

Quantity	Hardware
1	Fred-JR Assembly
1	Rear Panel
2	Twist Lock Latches




APPENDIX 5 - REPLACEMENT PARTS








	ITEM NUMBER	DESCRIPTION	QUANTITY
1	S-JR-0020	Pull & Turn Door Latch - Set of 2	1
2	S-JR-0026	Filter Access Door	1
3	S-JR-0007	Filter, Carbon Activated Panel	1
4	S-JR-26NF	26" Nanotech XV Cartridge Filter, 320 sqft, MERV 15, FRED JR	standard
5	INV-CAB-FRED-JR	Cabinet	1
6	S-JR-0017	Arm Mounting Plate	1
7	-	Handle	1
8	S-JR-0025	Front Door	1
9	S-JR-1050	Manual Starter Enclosure w/ Control Switch (1.5HP Model)	1
10	S-JR-1052	4" Swivel Caster w/ Brake	2
11	S-JR-1053	10" Rubber Wheel	2
12	S-JR-015T1	Motor (1.5HP Model)	1
	S-JR-1004	Blower Wheel Assembly (1.5HP Model)	1

APPENDIX 6 - SAMPLE SAFETY STICKERS

The machine is marked with a wet filtration safety sticker to remind the operator of safe working practices:

WARNING	AVERTISSEMENT	ADVERTENCIA	WET FILTRATION
DO NOT USE this equipment:	NE PAS UTILISER cet équipement :	NO USAR este equipo:	
 <ul style="list-style-type: none"> To collect smoke, fumes, liquid vapors, or aggressive fumes such as acids 	<ul style="list-style-type: none"> Pour l'extraction de fumées ou d'émanations de plus de 82 °C / 180 °F. 	<ul style="list-style-type: none"> Para extraer humo o gases superiores a 180°F / 82°C. 	
 <ul style="list-style-type: none"> If the power cord has been damaged or ground (third prong) removed. 	<ul style="list-style-type: none"> Si le cordon d'alimentation est endommagé ou si la mise à la terre (troisième broche) a été retirée. 	<ul style="list-style-type: none"> Si el cable está dañado o se le ha quitado el tierra (tercera punta). 	
 <ul style="list-style-type: none"> Without the proper water level in basin 	<ul style="list-style-type: none"> Si le niveau d'eau dans le bassin n'est pas adéquat. 	<ul style="list-style-type: none"> Sin el nivel de agua adecuado en el depósito. 	

The machine is marked with safety stickers in appropriate places to remind the operator of safe working practices.

STICKERS APPLIED TO MACHINE				
Figure 1	Figure 2	Figure 3	Figure 4	Figure 5
Foot Trap Hazard	Falling Objects Hazard	Moving Parts Hazard	Electric Shock Hazard	Loud Noise Hazard
 <p>CAUTION</p> <p>FOOT TRAP HAZARD PROPER FOOTWEAR REQUIRED</p>	 <p>CAUTION</p> <p>FALLING OBJECTS HAZARD DO NOT PLACE OBJECTS ON MACHINE</p>	 <p>CAUTION</p> <p>MOVING PARTS HAZARD DO NOT TOUCH - DISCONNECT POWER BEFORE OPENING</p>	 <p>CAUTION</p> <p>ELECTRIC SHOCK HAZARD SERVICE BY TRAINED PERSONNEL ONLY</p>	 <p>CAUTION</p> <p>LOUD NOISE HAZARD WEAR EAR PROTECTION DURING OPERATION</p>

LIMITED EQUIPMENT WARRANTY

For a period of 2 years from the date of purchase, all Diversitech products are warranted to be free from defects in material, workmanship, and construction, when used in accordance with installation, maintenance instructions, and expressly stated proper use application(s). Diversitech Inc. will repair or replace, at our option, any defective parts which fail during the warranty period. This warranty is limited to replacement parts ONLY, and does not cover personal liability, property loss, normal wear; and does not cover losses resulting from (or due to) improper installation, inadequate maintenance, misapplication, misuse, or use above rated capacities.

FREIGHT CLAIMS

Shipments must be inspected upon arrival. All Diversitech units are sold ex-plant. Therefore, it is the receiver's responsibility to file any freight claims with the carrier for obvious or concealed damages. Damaged shipments must be refused at time of receipt, by consignee.

RETURN MATERIAL POLICY

Prior to the return of material, for whatever reason, a return manufacturing authorization number (RMA#) is required from the Diversitech customer service department. This procedure is necessary for proper control and handling of returned materials. Call 1-800-361-3733 or email support@diversitech.ca to obtain an RMA.

All material must be returned prepaid. Credit will be given for returns for warranty repair or replacement. Freight collect shipments, or freight without an RMA, will not be accepted. It is the shipper's responsibility to ensure that material being returned to Diversitech is adequately packaged for shipment to preclude damages.



Visit our Website for more
information on this product
www.diversitech.ca

1200 55th Avenue
Montreal, Quebec H8T 3J8
Email: info@diversitech.ca