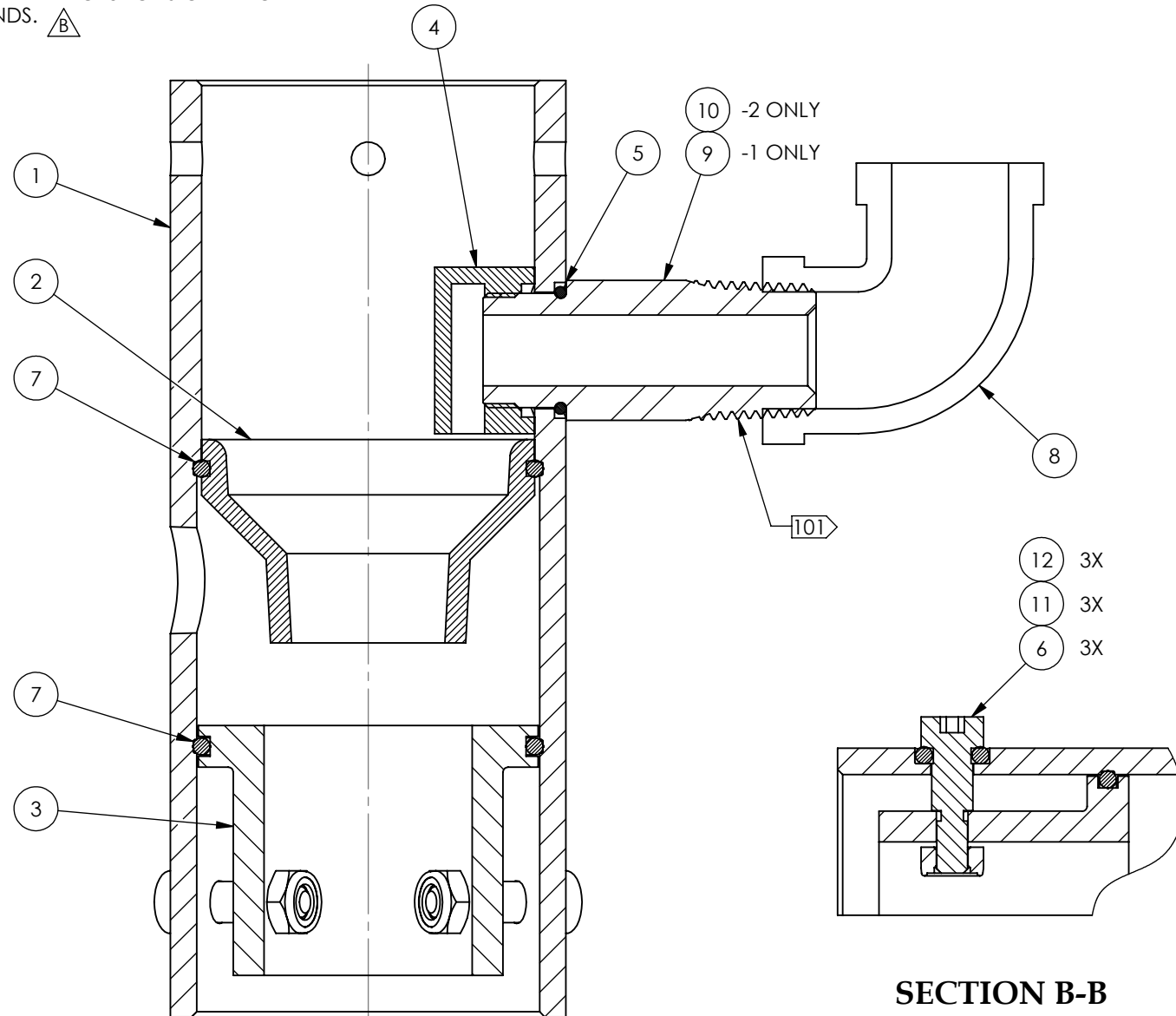


NOTES:

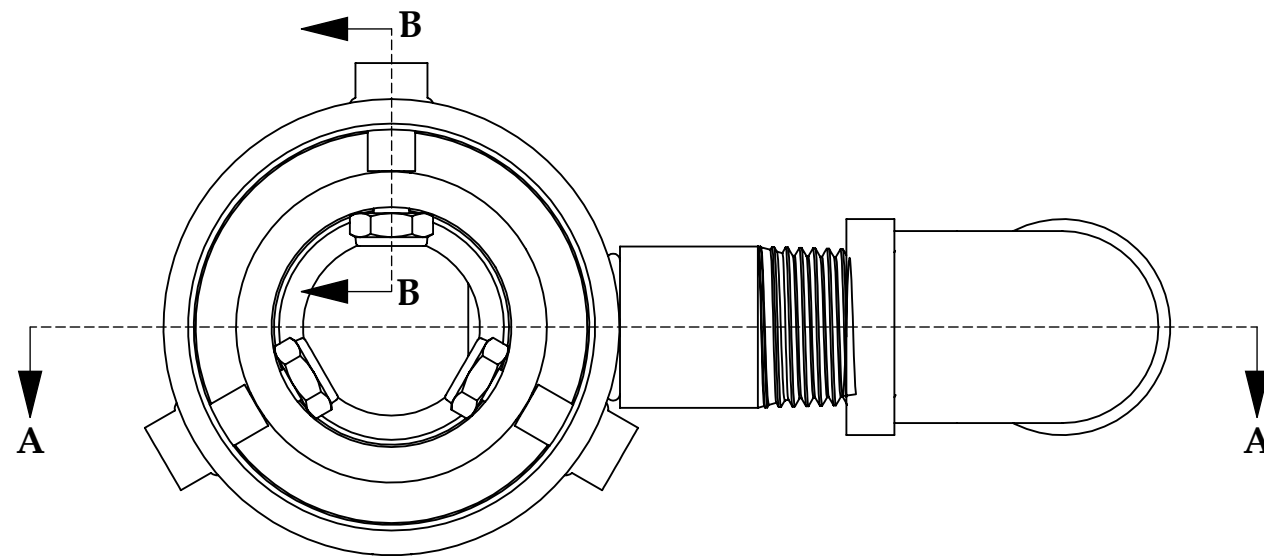
101 APPLY 1 1/2 - 2 REVOLUTIONS OF TEFLON TAPE TO BOTH ENDS. $\triangle B$



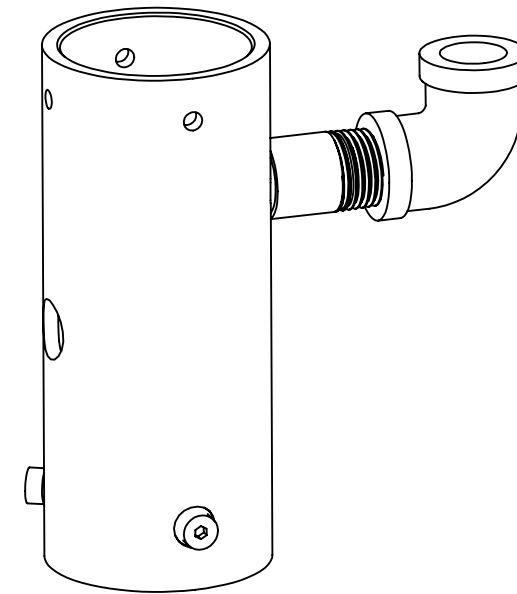
SECTION A-A

SECTION B-B

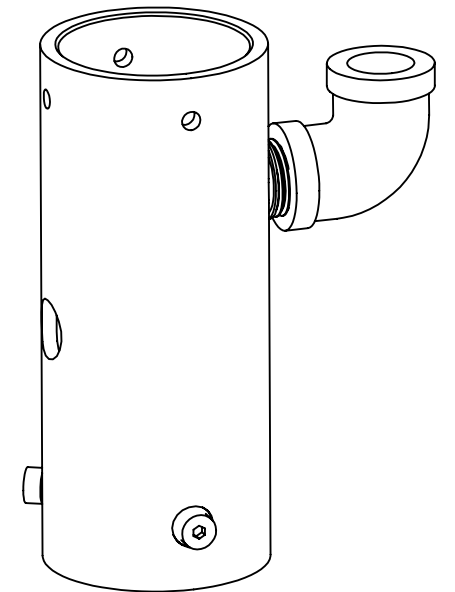
TYP. -1 AND -2 ASSEMBLIES



ITEM	-2	-1	U/M	PART NUMBER	DESCRIPTION
1	1	1	EA	057205-1	CYLINDER;MINI HOPPER;PASER
2	1	1	EA	052998-2	BAFFLE;ABR;HOPPER;METERING VLV;PASER
3	1	1	EA	044784-1	SHELF;MINI HOPPER;PASER ECL
4	1	1	EA	057204-1	ADAPTER;ABRASIVE INLET;METERING VALVE
$\triangle B$ 5	1	1	EA	A-0275-015	O-RING;BUNA-N;70 DUR;NO. 2-015
6	3	3	EA	A-0275-108	O-RING;BUNA-N;70 DUR;NO. 2-108
7	2	2	EA	A-0275-130	O-RING;BUNA-N;70 DUR;NO. 2-130
8	1	1	EA	A-0192-4	ELBOW;90 DEG;1/2"
$\triangle C$ 9	-	1	EA	058268-1	NIPPLE;MODIFIED;PIPE
$\triangle C$ 10	1	-	EA	058268-2	NIPPLE;MODIFIED;PIPE
11	3	3	EA	A-0143-6	SCREW;SHLDR;SKT HD;SST;3/8"
12	3	3	EA	A-23706-1	NUT;JAM;NYLOC;SST;10-24



057203-1 CONFIGURATION



057203-2 CONFIGURATION

THIRD ANGLE PROJECTION		THIS DRAWING IS THE PROPERTY OF FLOW INTERNATIONAL CORPORATION AND IS NOT TO BE COPIED OR REPRODUCED WITHOUT THE WRITTEN CONSENT OF FLOW INTERNATIONAL CORPORATION.	
		MATERIAL	SEE BOM
REVISION C	MODELED IN SOLIDWORKS	TITLE	HOPPER ASSY;MINI; ABRASIVE METERING
DRAWN BY K. CLAEYS	STARTED 12/19/13	BASE PART NUMBER	057203
ENG E. ROMANOFF	SCALE 1:1		1 OF 1