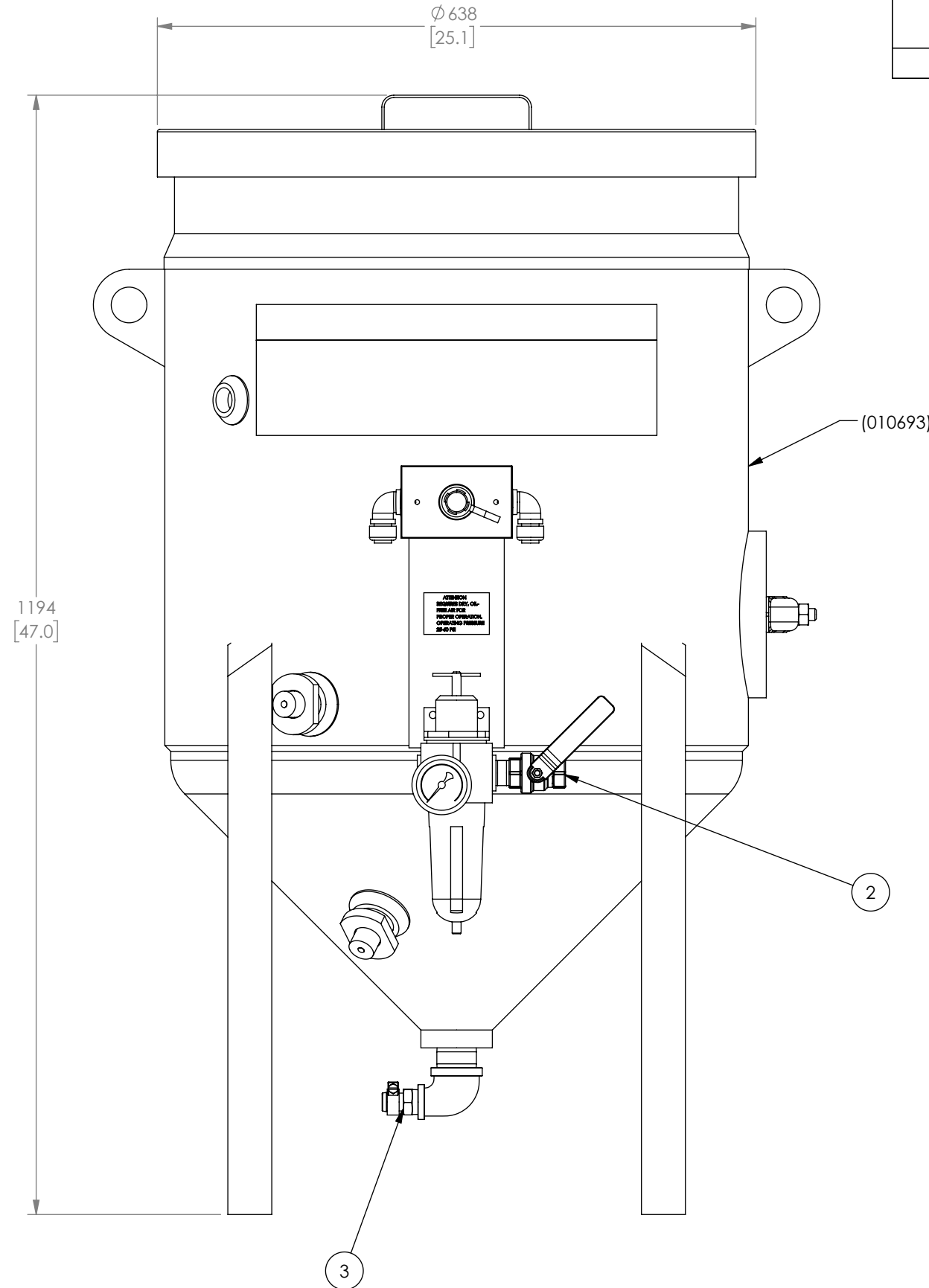


NOTES:

- 101. APPROXIMATE EMPTY WEIGHT 227 KG (500 LB).
- 102. DIMENSIONS ARE IN MILLIMETERS, DIMENSION IN BRACKETS ARE IN INCHES.



FACILITY REQUIREMENTS			
ITEM NO.	TYPE	CAPACITY	INTERFACE TYPE
2	AIR	<ul style="list-style-type: none"> •56.6 L/MIN @ 6.2 BAR (2 SCFM @ 90 PSI) •283.2 L/MIN @ 6.2 BAR (10 SCFM @ 90 PSI) INITIAL FILL •AIR MUST BE DRY AND FILTERED TO 10 MICRONS 	3/4" NPT
3	OUTLET	ABRASIVE FEED	-

THIRD ANGLE PROJECTION		THIS DRAWING IS THE PROPERTY OF FLOW INTERNATIONAL CORPORATION AND IS NOT TO BE COPIED OR REPRODUCED WITHOUT THE WRITTEN CONSENT OF FLOW INTERNATIONAL CORPORATION.		
	MATERIAL			
DRAWN BY M. DURAND	STARTED 10/26/2011	ENG S. VAUGHAN	EST WEIGHT N/A	MODELED IN SOLIDWORKS
TITLE		PRE-INSTALLATION;500 LB ABT		
REVISION B	SCALE 1:6	BASE PART NUMBER	051728	1 OF 1