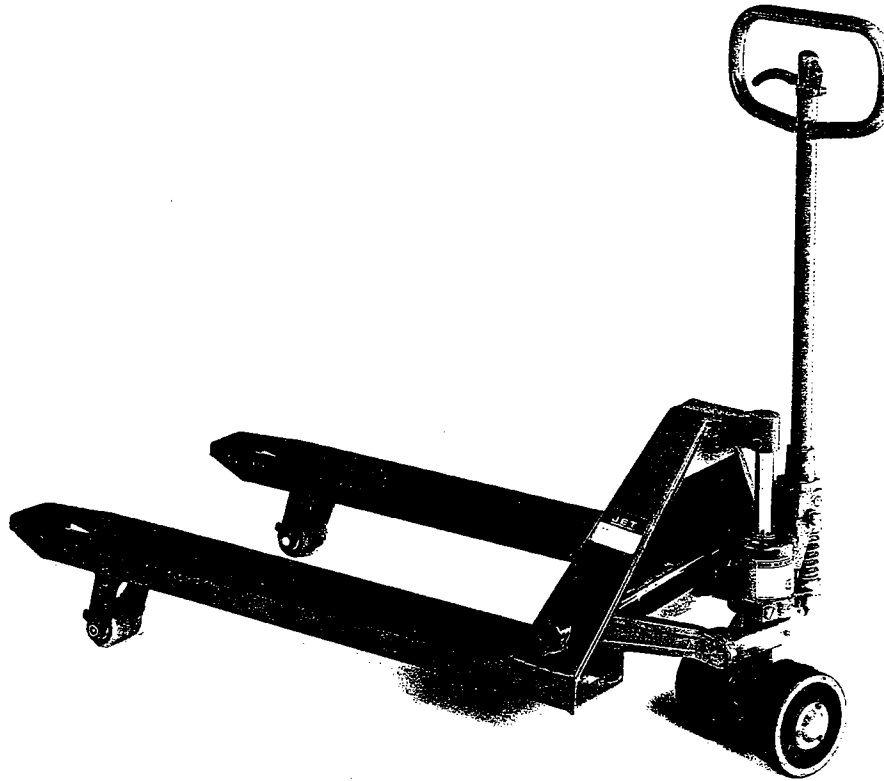


# **J E T**

**EQUIPMENT & TOOLS**

## **A and L Model Pallet Trucks**

**PT-2036, PT-2042, PT-2048, PT-2736, PT-2048, PT-2748**



**JET EQUIPMENT AND TOOLS**  
A WMH - WALTER MEIER HOLDING COMPANY

P.O. BOX 1349  
AUBURN, WA 98071-1349

(253) 351-6000  
FAX (253) 939-8001

**JET EQUIPMENT & TOOLS, INC.**  
A WMH - Walter Meier Holding Company

Stock No. M-140065 1/95

## Lubrication

When changing or adding oil, fill tank to 80% capacity (see Figure 4) with hydraulic oil such as:

Shell Tellus Oil.....No.22 or 27  
 Turbine Oil.....No. 22  
 Texaco Regal.....No. 32

Check oil level annually.

Grease table, lifting yoke, front and rear wheels annually.

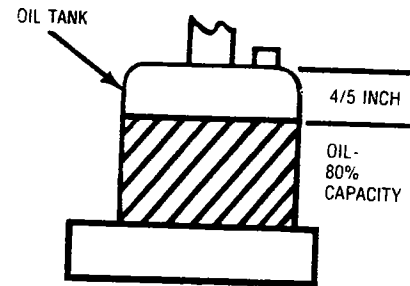


FIGURE 4

## Troubleshooting

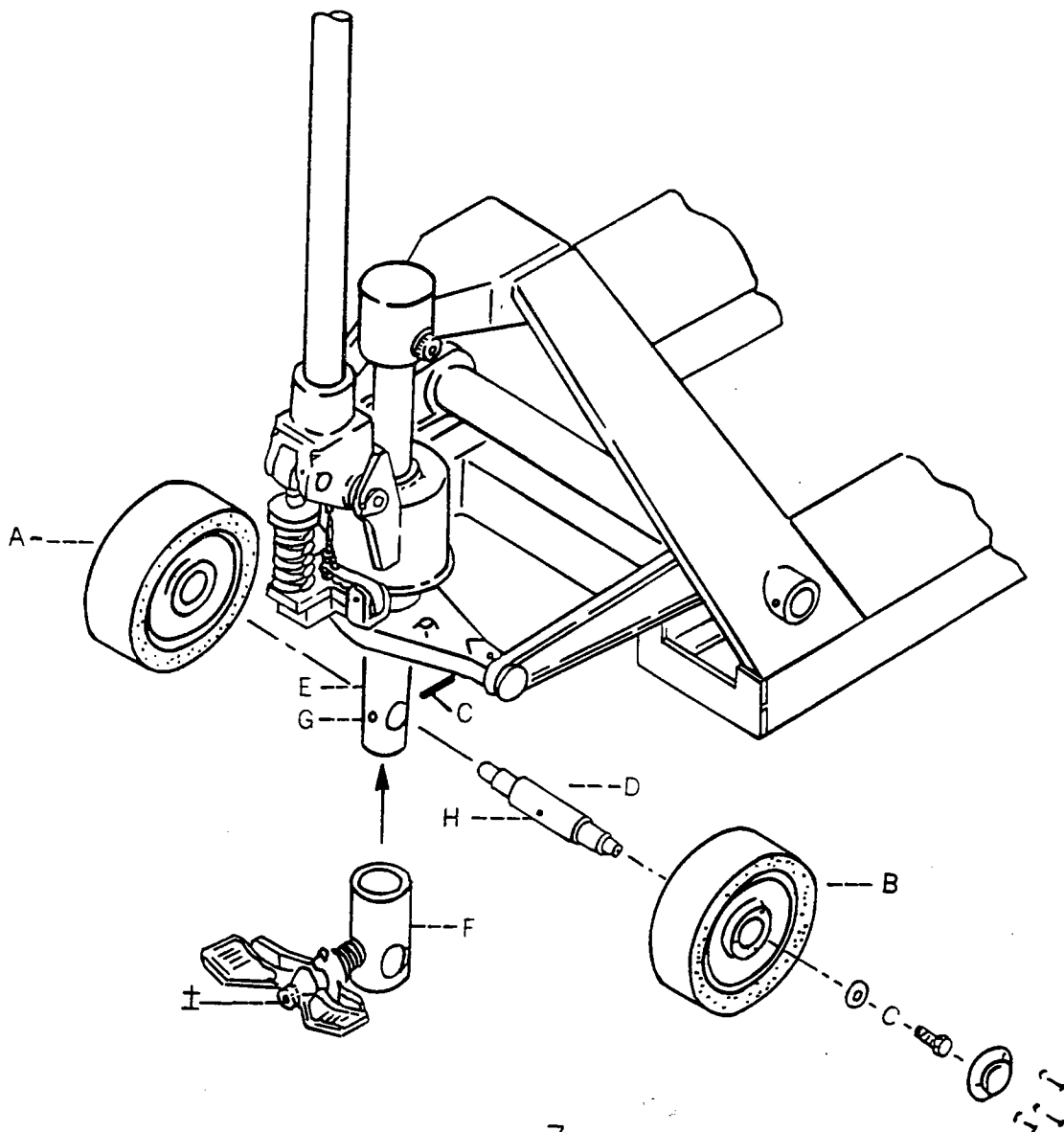
Possible problems could arise in the operation of your hydraulic pallet truck. Their probable cause(s) and corrective action follow:

Condition	Probable Cause	Corrective Action
Hydraulic unit does not lift.	Oil low in tank	Make sure no oil is leaking from the valves, and add hydraulic oil.
	Steel ball not seated in hydraulic unit	See "Cleaning Release Valve", page 2.
	Worn o-ring in ram cylinder	Contact authorized repair station.
	Steel ball not seated in hydraulic unit	See "Cleaning Release Valve", page 2.
	Release valve not seating properly	See "Cleaning Release Valve", page 2.
	Release valve not adjusted properly	Reload truck within load capacity and adjust valve by pressure adjustment screw (# 27).
	Worn o-ring in ram cylinder	Contact authorized repair station.
Forks do not lower.	Oil leakage from valve(s)	Tighten valve plug(s) (# 26 & # 36).
	Cam broken	Replace cam or cam chain.
	Up-down cam nut out of adjustment	See "Adjusting Up-Down Cam", page 2.
Lever does not set at the NEUTRAL position	Broken fork rods and linkage	Replace broken parts.
	Up-down cam nut out of adjustment	See "Adjusting Up-Down Cam", page 2.

## PARKING BRAKE ASSEMBLY

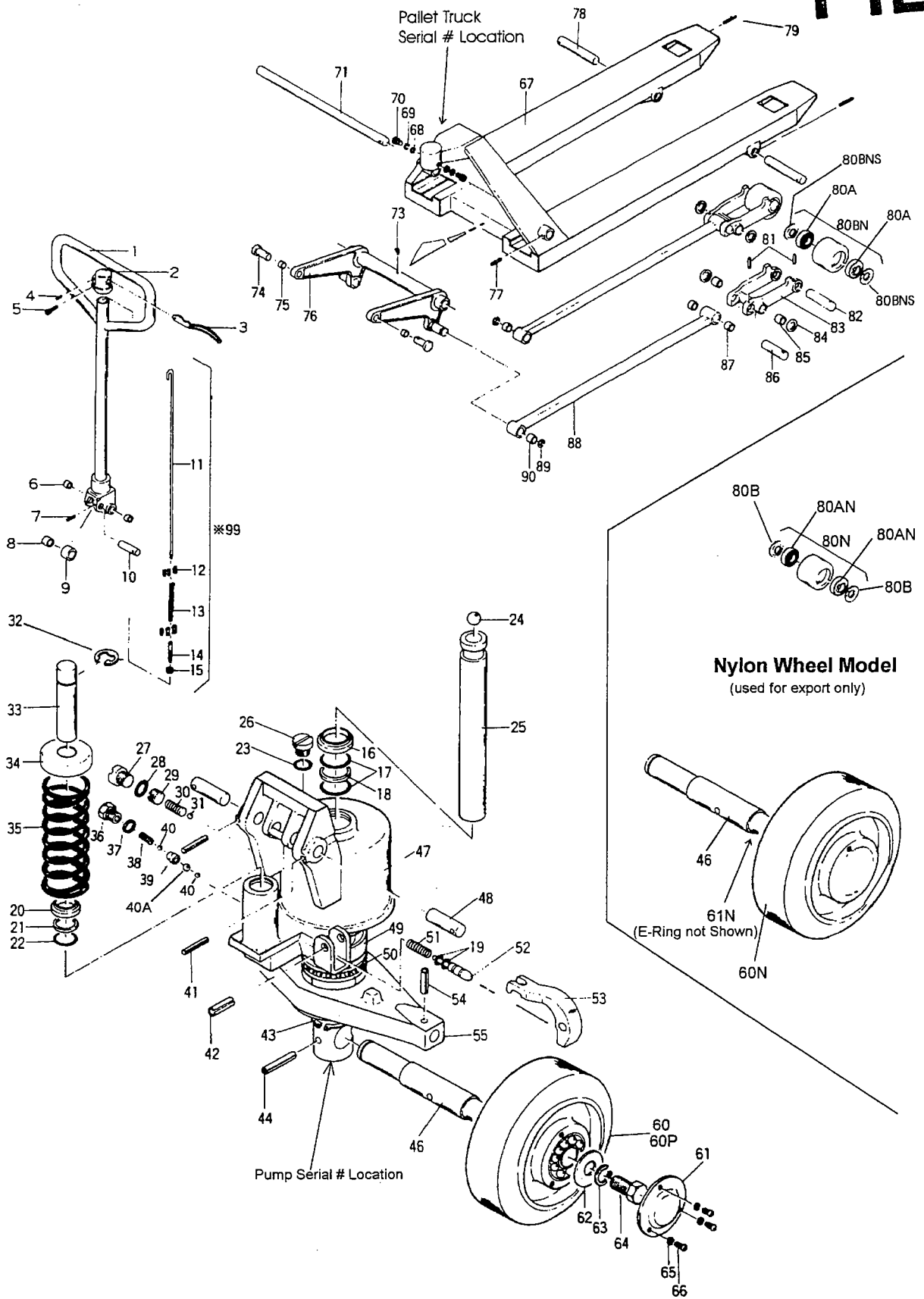
Note: Parking brake (PB IPT. stock no 140050) is an optional accessory available from your local JET distributor.

1. Remove steering wheels (A and B).
2. Tap out spring pin (C).
3. Remove axle shaft(D).
4. Slide brake body (F) onto cylinder shaft (E) and insert axle shaft(D).
5. Line up holes (G cylinder shaft and H axle shaft) and insert pin (C).
6. Install wheels (A and B).
7. Adjust parking brake tension by turning nut(I).



# L Series

# FILE



## Parts List for the PT2748L Pallet Truck

Index No.	Part No.	Description	Size	Qty.
1	PT2748A-001	Handle		1
2	PT2748A-002	Handle Cap		1
3	PT2748A-003	Lever		1
4	PT2748A-004	Spring Pin		1
5	PT2748A-005	Bolt		1
6	PT2748A-006	Bushing		2
7	PT2748A-007	Spring Pin		1
8	PT2748A-008	Bushing		1
9	PT2748A-009	Roller		1
10	PT2748A-010	Roller Pin		1
11	PT2748A-011	Release Rod		1
12	PT2748A-012	Chain Joint		1
13	PT2748A-013	Chain		1
14	PT2748A-014	Anchor Bolt		1
15	PT2748A-015	V-Nut		1
16	PT2748A-101	Dust Seal *		1
17	PT2748A-101	O-Ring *		2
18	PT2748A-101	Back-Up Ring *		1
19	PT2748A-101	O-Ring *		2
20	PT2748A-101	Dust Seal *		1
21	PT2748A-101	Back-Up Ring *		1
22	PT2748A-101	O-Ring *		1
23	PT2748A-101	O-Ring *		1
24	SB-9/16	Steel Ball		1
25	PT2748A-025	Ram Piston (before serial # 704AXXX – located on pump)		1
	PT2748A-025A	Ram Piston (after serial # 704AXXX – located on pump)		1
26	PT2748A-026	Oil Plug		1
27	PT2748A-027	Pressure Adjust Screw		1
28	PT2748A-101	O-Ring *		1
29	PT2748A-029	Release Screw		1
30	PT2748A-030	Spring		1
31	SB-1/4	Steel Ball		1
32	PT2748A-032	E-Ring		1
33	PT2748L-033	Plunger Piston		1
34	PT2748A-034	Spring Cap		1
35	PT2748A-035	Spring		1
36	PT2748A-036	Release Plug		1
37	PT2748A-037	Washer		1
38	PT2748A-038	Spring		1
	PT2748A-038A	Spring (not shown)		1
39	PT2748A-039	Valve Housing		1
40	PT2748A-040	Steel Ball	6mm	2
40A	PT2748A-040A	Steel Ball	9mm	1
41	PT2748A-041	Spring Pin		1
42	PT2748A-042	Spring Pin		1
43	PT2748A-043	Snap Ring		1
44	PT2748A-044	Spring Pin		1
46	PT2748A-046	Wheel Shaft		1
47	PT2748A-047	Pump Housing (re: PT2748A-109)		1

# FILE

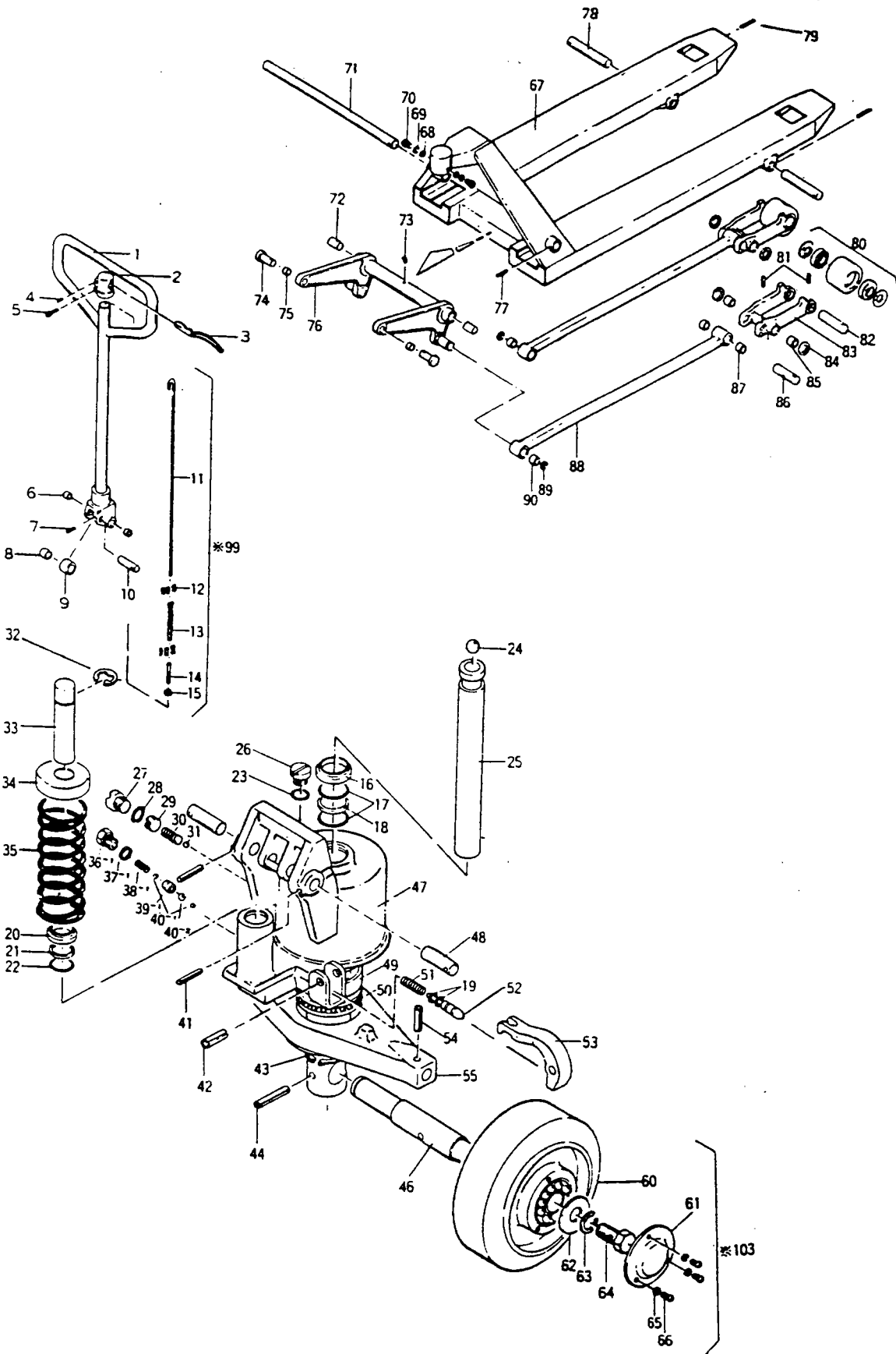
48	PT2748A-048	Handle Pin	1
49	PT2748A-049	Bearing Base	1
50	BB-51109	Ball Bearing	1
51	PT2748A-051	Spring	1
52	PT2748A-052	Release Nozzle	1
53	PT2748A-053	Cam	1
54	PT2748A-054	Spring Roll Pin	1
55	PT2748A-055	Table	1
	PT2748A-055B	Grease Fitting (not shown)	1
60	PT2748L-060	Standard Poly/Steel Steer Wheel (w/ ball bearings)	2
	BB-6205VV	Steer Wheel Ball Bearing (inside - not shown)	2
	BB-6304VV	Steer Wheel Ball Bearing (outside - not shown)	2
60N	PT2748L-060N	Nylon Steer Wheel (w/ ball bearings – export only)	2
	BB-6205	Nylon Steer Wheel Bearing (inside - not shown – export only)	2
	BB-6304	Nylon Steer Wheel Bearing (outside - not shown – export only)	2
61	PT2748A-061	Cap	2
61N	PT2748L-061N	E-Ring (not shown – export only)	4
62	PT2748A-062	Washer	2
63	PT2748A-063	Lock Washer	2
64	PT2748A-064	Bolt	2
65	PT2748A-065	Lock Washer	6
66	PT2748A-066	Screw	6
67		Fork Frame (N.A.)	1
68	PT2748A-068	Washer	2
69	PT2748A-069	Lock Washer	2
70	PT2748A-070	Bolt	2
71	PT2748A-071	Crank Shaft	1
	PT2048A-071	Crank Shaft	1
73	PT2748A-073	Grease Fitting	1
74	PT2748A-074	Table Pin	2
75	PT2748A-075	Bushing	2
76	PT2748A-076	Lifting Yoke	1
	PT2048A-076	Lifting Yoke	1
77	PT2748A-077	Spring Pin	2
78	PT2748L-078	Arm Pin	2
79	PT2748A-079	Spring Pin	2
80A	BB-6004VV	Bearing	4
80B	PT2748L-80B	White Seal (export only)	8
80N	PT2748L-080N	Nylon Load Wheel with Bearings (export only)	2
80AN	BB-6004VV	Nylon Load Wheel Bearing (export only)	4
80BN	PT2748L-080BN	Black Nylon Load Wheel	2
80BNS	PT2748L-080BNS	Black Nylon Seal	2
81	PT2748A-081	Spring Pin	4
82	PT2748A-082	Shaft w/ Zerk Fitting (before serial # 704XXX)	2
	PT2748A-082A	Shaft (after serial #704XXX)	2
	PT2748A-082B	Grease Fitting (not shown – before serial # 704XXX)	2
83	PT2748L-083	Arm	2
84	PT2748L-084	Collar	4
85	PT2748L-085	Bushing	4
86	PT2748L-086	Rod Pin	2
87	PT2748L-087	Bushing	4
88	PT2736L-088	Rod	2
	PT2742L-088	Rod	2
	PT2748L-088	Rod	2

89	PT2748A-089	E-Ring	2
90	PT2748A-090	Bushing	2
99	PT2748A-099	Release Rod Assembly	1
	PT2748A-101	Repair Kit (pumps before serial # 704AXXX)	1
	PT2748A-101A	Repair Kit (pumps after serial # 704AXXX)	1
	PT2748A-109	Pump Assembly (not shown)	1
	PT2748L-110	Pump, Handle, Steel/Poly Wheel Assy. (not shown)	1
	PT2748L-110N	Pump, Handle, Nylon Wheel Assy. (not shown)	1
	MP-012	Touch-Up Paint (not shown)	1

\* Available only in the repair kit – PT2748A-101 (before serial # 704AXXX) or PT-2748A-101A (after serial # 704AXXX)

**Note:** use the serial number located on the bottom of the pump (**not** the serial number on the pallet jack frame) for the repair kit.

# Exploded View of JET Pallet Truck





# PARTS LIST FOR THE PT-2748A/L PALLET TRUCK

PLEASE ORDER BY PART NUMBER ONLY

INDEX NO.	PART NO.	DESCRIPTION	SIZE	QTY.
1	PT2748A 001	HANDLE		1
2	PT2748A 002	HANDLE CAP		1
3	PT2748A 003	LEVER		1
4	PT2748A 004	SPRING PIN		1
5	PT2748A 005	BOLT		1
6	PT2748A 006	BUSHING		2
7	PT2748A 007	SPRING PIN		1
8	PT2748A 008	BUSHING		1
9	PT2748A 009	ROLLER		1
10	PT2748A 010	ROLLER PIN		1
11	PT2748A 011	RELEASE ROD		1
12	PT2748A 012	CHAIN JOINT		1
13	PT2748A 013	CHAIN		1
14	PT2748A 014	ANCHOR BOLT		1
15	PT2748A 015	V NUT		1
16	PT2748A 016	DUST SEAL (RE:PT2748A 101)		1
17	PT2748A 017	O RING (RE:PT2748A 101)		2
18	PT2748A 018	BACK UP RING (RE:PT2748A 101)		1
19	PT2748A 019	O RING (RE:PT2748A 101)		2
20	PT2748A 020	DUST SEAL (RE:PT2748A 101)		1
21	PT2748A 021	BACK UP RING (RE:PT2748A 101)		1
22	PT2748A 022	O RING (RE:PT2748A 101)		1
23	PT2748A 023	O RING (RE:PT2748A 101)		1
24	SB 9 16	STEEL BALL		1
25	PT2748A 025	RAM PISTON		1
26	PT2748A 026	OIL PLUG		1
27	PT2748A 027	PRESSURE ADJUST SCREW		1
28	PT2748A 028	O RING		1
29	PT2748A 029	RELEASE SCREW		1
30	PT2748A 030	SPRING		1
31	SB 1/4	STEEL BALL		1
32	PT2748A 032	E RING		1
33	PT2748A 033	PLUNGER PISTON		1
	PT2748L 033	PLUNGER PISTON		1
34	PT2748A 034	SPRING CAP		1
35	PT2748A 035	SPRING		1
36	PT2748A 036	RELEASE PLUG		1
37	PT2748A 037	WASHER		1
38	PT2748A 038	SPRING		1
	PT2748A 038A	SPRING (NOT SHOWN)		1
39	PT2748A 039	VALVE HOUSING		1
40	PT2748A 040	STEEL BALL	6MM	2
	PT2748A 040A	STEEL BALL (NOT SHOWN)	9MM	1
41	PT2748A 041	SPRING PIN		1

42	PT2748A-042	SPRING PIN	1
43	PT2748A-043	SNAP RING	1
44	PT2748A-044	SPRING PIN	1
46	PT2748A-046	WHEEL SHAFT	1
47	PT2748A-047	PUMP HOUSING (RE: PT2748A-109)	1
48	PT2748A-048	HANDLE PIN	1
49	PT2748A-049	BEARING BASE	1
50	BB-51109	BALL BEARING	1
51	PT2748A-051	SPRING	1
52	PT2748A-052	RELEASE NOZZLE	1
53	PT2748A-053	CAM	1
54	PT2748A-054	SPRING ROLL PIN	1
55	PT2748A-055	TABLE	1
	PT2748A-055B	GREASE FITTING (NOT SHOWN)	1
60	PT2748A-060	STEER WHEEL (RE:PT2748A-103)	1
	PT2748L-060	STEER WHEEL (RE:PT2748L-103)	1
	BB-6025	BALL BEARING (NOT SHOWN)	2
	BB-6304	BALL BEARING (NOT SHOWN)	2
61	PT2748A-061	CAP	2
62	PT2748A-062	WASHER	2
63	PT2748A-063	LOCK WASHER	2
64	PT2748A-064	BOLT	2
65	PT2748A-065	LOCK WASHER	6
66	PT2748A-066	SCREW	6
67		FORK FRAME N/A	1
68	PT2748A-068	WASHER	2
69	PT2748A-069	LOCK WASHER	2
70	PT2748A-070	BOLT	2
71	PT2748A-071	CRANK SHAFT	1
	PT2048A-071	CRANK SHAFT	1
	PT2042A-071	CRANK SHAFT (RE:PT2048A-071)	1
	PT2036A-071	CRANK SHAFT (RE:PT2048A-071)	1
73	PT2748A-073	GREASE FITTING	1
74	PT2748A-074	TABLE PIN	2
75	PT2748A-075	BUSHING	2
76	PT2748A-076	LIFTING YOKE	1
	PT2048A-076	LIFTING YOKE	1
	PT2042A-076	LIFTING YOKE (RE:PT2048A-076)	1
	PT2036A-076	LIFTING YOKE (RE:PT2048A-076)	1
77	PT2748A-077	SPRING PIN	2
78	PT2748A-078	ARM PIN	2
	PT2748L-078	ARM PIN	2
79	PT2748A-079	SPRING PIN	2
80	PT2748A-080	LOAD WHEEL	2
	PT2748L-080	LOAD WHEEL	2
	BB-6204	BEARING (PT-2748A-NOT SHOWN)	4
	BB-6004	BEARING (PT-2748L-NOT SHOWN)	4
	PT2748A-080B	WASHER (2748A-NOT SHOWN)	4
	PT2748L-080B	WASHER (2748L-NOT SHOWN)	4
81	PT2748A-081	SPRING PIN	4
82	PT2748A-082	SHAFT W/ZERK FITTING	2
	PT2748A-082B	GREASE FITTING (NOT SHOWN)	2
83	PT2748A-083	ARM	2
	PT2748L-083	ARM	2

84	PT2748A-084	COLLAR	4
	PT2748L-084	COLLAR	4
85	PT2748A-085	BUSHING	4
	PT2748L-085	BUSHING	4
86	PT2748A-086	ROD PIN	4
	PT2748L-086	ROD PIN	2
87	PT2748A-087	BUSHING	2
	PT2748L-087	BUSHING	4
88	PT2736A-088	ROD	4
	PT2736L-088	ROD	2
	PT2742A-088	ROD	2
	PT2742L-088	ROD	2
	PT2746L-088	ROD	2
	PT2748A-088	ROD	2
	PT2748L-088	ROD	2
	PT2036A-088	ROD (RE:PT2736A-088)	2
	PT2036L-088	ROD (RE:PT2736L-088)	2
	PT2042A-088	ROD (RE:PT2742A-088)	2
	PT2042L-088	ROD (RE:PT2742L-088)	2
	PT2048A-088	ROD (RE:PT2748A-088)	2
	PT2048L-088	ROD RE:PT2748L-088)	2
89	PT2748A-089	E-RING	2
90	PT2748A-090	BUSHING	2
99	PT2748A-099	RELEASE ROD ASSEMBLY	2
	PT2748A-101A	REPAIR KIT (PT2748A-016 TO-023)	1
103	PT2748A-103	STEER WHEEL ASSYW/BEARINGS	1
	PT2748L-103	STEER WHEEL ASSYW/BEARINGS	1
	PT2748A-109	PUMP ASSEMBLY (NOT SHOWN)	1
	PT2748A-110	PUMP ASSY, HANDLE, WHEELS (NOT SHOWN)	1
	MP-012	TOUCH-UP PAINT (ACCESSORY-NOT SHOWN)	1