



## STREAMLINE HIGH PRESSURE WATERJET PUMP



### OPERATION and SERVICE MANUAL

#### SL-IV PLUS 30 HP

Manual No. 80070881 Rev. 0

Original: October 2002

49838980

## **NOTICE**

This document contains subject matter in which KMT Waterjet Systems has proprietary rights. Recipients of this document shall not duplicate, use, or disclose information contained herein, in whole or in part, for other than the purpose for which this manual was provided.

KMT Waterjet Systems believes the information described in this manual to be accurate and reliable. Much care has been taken in its preparation, however, the Company cannot accept any responsibility, financial or otherwise, for any consequences arising out of the use of this material. The information contained herein is subject to change, and revisions may be issued to advise of such changes and/or additions.

## **KMT WATERJET SYSTEMS**



KMT Waterjet Systems  
635 West 12<sup>th</sup> Street, P.O. Box 231  
Baxter Springs, Kansas 66713

Tel. (800) 826-9274  
Fax (620) 856-5050

## **TABLE of CONTENTS**

### **SECTION 1 INTRODUCTION**

1	SL-IV Waterjet Pump General Information	1-1
1.1	Physical Description	1-1
1.1.1	Standard Equipment	1-2
1.2	Functional Description	1-3
1.2.1	Functional Features	1-3
1.3	Worldwide Product Support	1-4
1.3.1	Service Department	1-4
1.3.2	Spare Parts	1-4
1.3.3	Questionnaire	1-5
1.4	Safety	1-7
1.4.1	Labels and Abbreviations	1-7
1.4.2	Safety Procedures	1-9
1.4.3	High Pressure (HP) Piping Safety	1-11
1.4.4	Emergency Medical Treatment	1-12

### **SECTION 2 INSTALLATION**

2	Installation	2-1
2.1	Installation Overview	2-1
2.2	Buyer Obligations	2-1
2.3	Seller Obligations	2-1
2.4	Installation Requirements (Utilities)	2-2
2.5	Equipment Location/ Environment	2-2
2.6	Service Connections	2-3
2.7	High Pressure Plumbing Installation	2-5

### **SECTION 3 OPERATION**

3	Operation	3-1
	Main Menu	3-5
	Run Screen	3-5
	Run Screen 2	3-7
	Run Screen 3 Redundant	3-7
	Hours	3-8
	Alarm History Screen	3-9
	Pressure Control Screen	3-10
	Stroke Rate Screen	3-11
	Set Up Screen (2)	3-12
	Maintenance Screen	3-13
	Alarm Screen	3-14
	No Pressure Screen	3-15
	Language	3-16
	(Example)	3-17

### **SECTION 4 MAINTENANCE**

4	Maintenance	4-1
4.1	Scheduled Maintenance	4-3
4.2	General Maintenance	4-3

## **SECTION 5 TROUBLESHOOTING**

5	Troubleshooting	
5.1	Troubleshooting - Electrical	5-1
5.1.1	Pump Will Not Start	5-1
5.1.2	Console Display And Lights Fail To Illuminate	5-1
5.1.3	Pump Quit Running	5-1
5.1.4	No Control Power (24vdc)	5-2
5.1.5	Red Light, Message On Operator's Console	5-2
5.2	Troubleshooting – Hp Water	5-3
5.2.1	Hp Water Signal Abnormal Fluctuation	5-3
5.2.2	Hot Surfaces On Hp Cylinder Components	5-3
5.2.3	Oil Or Water Leaks From HP Cylinder Weep Holes	5-3
5.2.4	Hp Check Valve Leak	5-4
5.2.5	Normal Temperature, But Check Valve Problem	5-4
5.2.6	Hp Cutting Water Too Low	5-4
5.3	Troubleshooting – Lp Water	5-5
5.3.1	Low Booster Pump Pressure	5-5
5.4	Troubleshooting – Hydraulic	5-5
5.4.1	Hot Hydraulic Oil	5-5
5.4.2	Hydraulic Pressure But No High Pressure Water Pressure	5-5
5.5	Special Procedure—Hp Water Check Valve	5-7
5.5.1	Hp Check Valve Troubleshooting	5-7

## **SECTION 6 LOW PRESSURE WATER SYSTEM**

6	Low Pressure Water System	6-1
6.1	Oil Cooling Water Supply	6-1
6.2	Cutting Water Supply	6-1
6.2.1	Normal Operating Condition	6-2
6.2.2	Operation	6-2
6.2.3	Boost Pump Pressure Adjustment	6-6
6.2.4	Low Pressure System Protection	6-6
6.3	Maintenance Overview	6-7
6.3.1	Water Filter Service	6-7
6.3.2	Boost Pump	6-8

## **SECTION 7 HIGH PRESSURE WATER SYSTEM**

7	High Pressure (HP) Water	7-1
7.1	Components	7-1
7.2	Intensifier Disassembly and Reassembly	7-2
7.2.1	HP & LP Water Piping	7-3
7.2.2	HP Cylinder “Jug” (HP Cyl., Sealing Head, Flanges, & Studs	7-4
7.2.3	Stud Nuts and End Flange, Sealing Head	7-5
7.2.4	HP Plunger Seal Service-- Disassembly / Re-assembly	7-6
7.2.5	Plunger and Hydraulic Cartridge Removal and Installation	7-10
7.2.6	Hydraulic Cylinder Head & Hydraulic Piston	7-11
7.3	Intensifier Subassemblies Inspection & Repair	7-13
7.3.1	Discharge HP Check Valve	7-14
7.3.2	Inlet Check Valve	7-16
7.3.3	Sealing Head	7-18
7.3.4	HP Cylinder	7-19

7.3.5	Plunger	7-20
7.3.6	Hydraulic Seal Cartridge	7-21
7.3.7	Hydraulic Piston	7-23
7.3.8	Hydraulic Cylinder	7-27
7.4	HP Dump Valve	7-28
7.5	HP Attenuators	7-28
<b>SECTION 8 ELECTRICAL SYSTEM</b>		
8	Electrical System	8-1
8.1	Electrical Overview	8-1
8.1.1	Motor Starter Circuit	8-3
8.1.2	Control Circuits and Logic	8-4
8.1.3	Operation	8-6
8.1.4	Control Power Circuits	8-8
8.1.5	(Optional) Proportional Pressure Control	8-8
8.1.6	(Optional) Modem	8-8
8.2	Maintenance Overview	8-10
8.2.1	Proximity Switch Service	8-10
8.2.2	Optical Relay Switch Service	8-11
<b>SECTION 9 HYDRAULIC SYSTEM</b>		
9	Features	9-1
9.1	Components	9-1
9.2	Operation	9-3
9.2.1	Hydraulic Pressure Adjustment	9-3
9.2.2	Hydraulic System Pressure Protection	9-4
9.3	Motor/ Hydraulic Service Maintenance	9-5
9.3.1	Motor Service	9-6
9.3.2	Manifold Service	9-6
9.3.3	Motor/Pump Coupling-Spline Lubrication	9-6
<b>SECTION 10 RECIRCULATION SYSTEM</b>		
10	Recirculation System	10-1
10.1	Components	10-1
10.2	Operation	10-1
10.3	System Pressure Protection	10-2
10.4	Maintenance Overview	10-3
<b>SECTION 11 SPECIFICATIONS</b>		
11	Specifications	11-1
11.1	Equipment Specifications	11-3
11.2	Torque Specifications	11-4
11.3	Cutting Water Specifications	11-5
11.4	Cooling Water Specifications	11-5
11.5	Orifice Support Capacity	11-5
<b>SECTION 12 PARTS LISTS</b>		
12	Parts Lists and Drawings	
	Electrical Schematic Diagram	
	Hydraulic Schematic Diagram	
<b>ACCESSORIES</b>		

**Section 1 INTRODUCTION**

**1 Introduction**

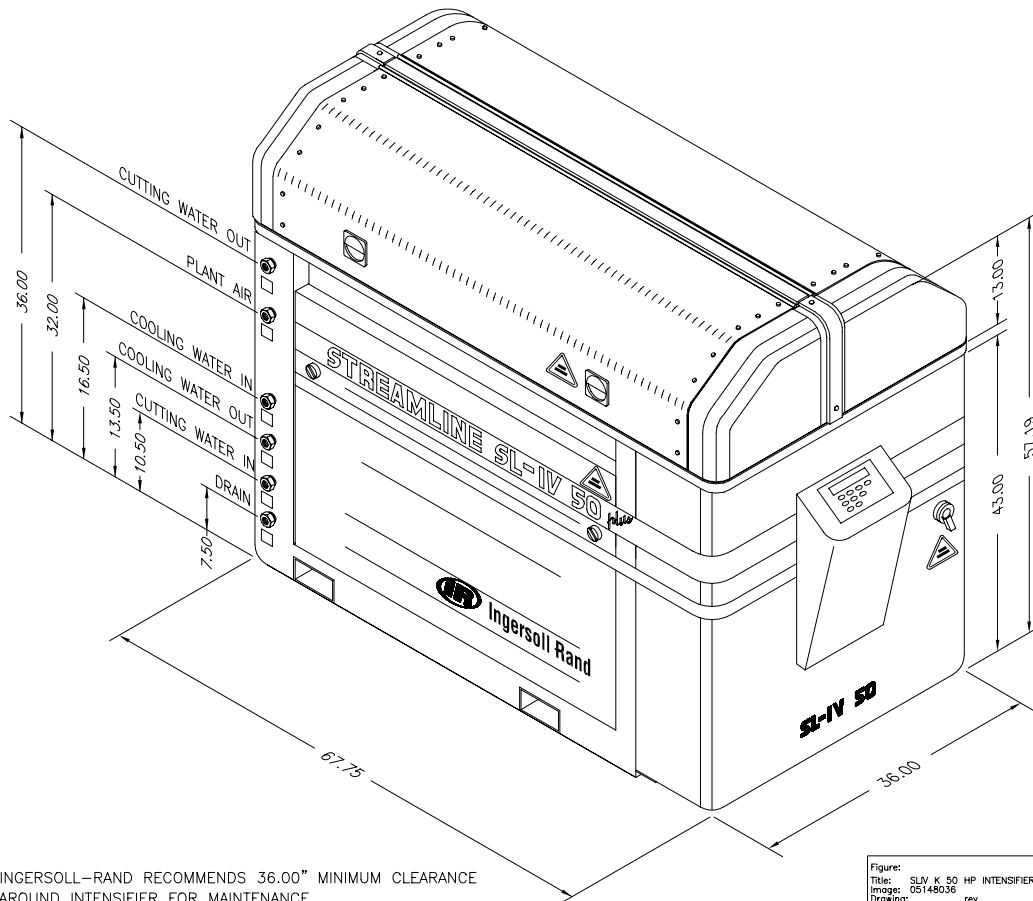
The Streamline™ IV PLUS (SL-IV+) waterjet pump maintains the level of component reliability and the ease of installation and maintenance that has made the KMT Waterjet Streamline waterjet pumps the standard of the industry for both water and Hydroabrasive™ applications.

The SL-IV+ waterjet pump provides output water pressures up to 4,100 bar (60,000 psi) for ultrahigh-pressure waterjet cutting, hydroabrasive cutting, cleaning, surface preparation, etc.

This manual provides information for installation, operation, and maintenance of the SL-IV+ waterjet pump.

**1.1 Description**

The SL-IV+ waterjet pump is a self-contained functional unit. The major assemblies within the SL-IV+ intensifier are single (or optional redundant) high-pressure intensification assemblies, single or dual high-pressure attenuator(s), a motor and hydraulic pump assembly, an oil cooling/filtration system, a low pressure water booster pump with low pressure water filtration, a fail-safe high-pressure venting valve, and an integrated NEMA 12 electrical control enclosure.



1. INGERSOLL-RAND RECOMMENDS 36.00" MINIMUM CLEARANCE AROUND INTENSIFIER FOR MAINTENANCE.

Figure:  
Title: SLV K 50 HP INTENSIFIER  
Image: 05148036  
Drawing: rev

The SL-IV+ waterjet pump is enclosed in a frame 67.75" (172 cm) long, 36.0" (91 cm) wide and 58.19" (145 cm) tall. The high-pressure intensification assembly is mounted on a drip pan on the frame top at a convenient height for performing routine maintenance. All components requiring routine maintenance are easily accessible through self-levitating hinged transparent covers or removable protective panels covering the sides of the lower frame. The high-pressure intensification assembly can be easily and quickly removed from the intensifier base if deemed desirable or necessary for maintenance.

### **1.1.1 Features**

- Variable displacement, pressure compensated axial piston hydraulic pump.
- Inlet water pressure booster pump and filtration system with 10-micron high capacity filter.
- High efficiency oil-to-water heat exchanger and cartridge oil filter in an oil circulation pump circuit separate from the main hydraulic pump circuit.
- Thermostatically controlled water-cooling system for optimum hydraulic oil temperature stability.
- High-pressure safety dump valve.
- Dual pressure compensators on the main hydraulic pump allow manual or program controlled selection of two different output pressures.
- Optional electronically controlled continuously variable hydraulic pressure control may be integrated into the host CNC unit for real-time pressure control.
- PED approved high-pressure attenuator for smooth high-pressure water delivery.
- Pre-set hydraulic relief valve eliminates the need for rupture disc overpressure protection.
- Microprocessor control with diagnostic capability and multi-language touch screen operator interface.
- Cutting water solenoid-operated shutoff valve.
- Inlet water pressure and booster pressure switches insure that there is adequate supply water pressure to the SL-IV+ high-pressure intensification assembly to prevent water starvation damage.
- Remote control electrical interface connector port.
- Remote diagnostic communication option.

## **1.2 Functional Description**

The HP intensification assembly uses a hydraulically driven piston operating in electrically reversed reciprocating mode, coupled at both ends to high-pressure intensification cylinders. The HP intensification cylinders extrude high-pressure water alternately, while the HP attenuator minimizes fluctuations in the output water signal. The intensification ratio is 20:1 with maximum hydraulic pressure set at 3,100 psi.

### **1.2.1 Functional Features**

- 4,150 bar (60,000 psi) operating pressure
- Electronic reversing
- 24vdc control logic
- Built-in high-pressure water leak detection diagnostics
- Standard dual pressure control facilitates hole piercing and kiss cut applications
- Exclusive long, slow plunger stroke
- Cartridge type hydraulic seals
- Low pressure water booster pump and filtration
- Reduced cooling water requirements
- Choice of English, German, Spanish, Swedish and Italian readouts as standard
- Meets CE requirements



### 1.3 Worldwide Product Support

The KMT Waterjet Customer Service group provides parts and service support.

#### **On-Site Service Support**

Equipment installation and start-up supervision.

Equipment relocation supervision.

Equipment performance assessment.

Remedial maintenance supervision.

Preventive maintenance supervision.

Maintenance training.

#### **Phone Service Support**

Service personnel available for technical phone assistance during and after work hours.

#### **Scheduled Maintenance training**

Periodic training sessions are conducted at KMT Waterjet designated training locations and in the Baxter Springs, KS Waterjet Manufacturing Facility. Call the Waterjet Service Manager for schedule information.

#### **Parts Support**

KMT Waterjet maintains a comprehensive parts department staffed by trained, expert personnel. Same-day shipment is routine, and emergency shipment is available upon request.

To contact the Customer Service Department:

#### **USA:**

KMT Waterjet Systems  
635 West 12<sup>th</sup> Street  
Baxter Springs, KS 66713  
USA

Phone: (620) 856-2151

Fax: (620) 856-5050

#### **Europe:**

KMT Waterjet Systems GmbH  
Wasserstrahl-Schneidetechnik  
Auf der Laukert 11  
D-61231 Bad Nauheim  
Germany

Phone: +49-(0)6032-997-117

Fax: +49-(0)6032-997-270

### 1.4 Questionnaire

The following equipment and service manual questionnaire will provide information to allow us to serve you better. Please complete them at your convenience and return to the applicable Service Department as shown above.

**EQUIPMENT AND SERVICE MANUAL QUESTIONNAIRE**

A new SL-IV+ waterjet pump has been installed at your location. We are interested in your initial impressions of the unit and its installation. Please take a few moments and answer the following questions.

## General Appearance

Was unit received in good condition?

 Yes  No

Comments: \_\_\_\_\_

Is the unit a convenient size?

 Yes  No

## 1. Controls

a. Are the controls user friendly?

 Yes  No

b. Is the unit easy to operate?

 Yes  No

Comments: \_\_\_\_\_

## 2. Performance

a. Does the unit perform smoothly and meet your expectations?

 Yes  No

b. Does the unit run quietly?

 Yes  No

Comments: \_\_\_\_\_

3. Did installation and start-up go smoothly?

 Yes  No

Comments: \_\_\_\_\_

4. What feature(s) do you consider the most significant with this unit?

Quiet Operation \_\_\_\_\_

Appearance \_\_\_\_\_

Performance (Operation) \_\_\_\_\_

Repair/Maintenance \_\_\_\_\_

Other \_\_\_\_\_

5. What areas need improvement?

Appearance \_\_\_\_\_

Servicability \_\_\_\_\_

Performance \_\_\_\_\_

Other \_\_\_\_\_

**Manual Organization**

1. Does the table of contents help you find topics easily?  Yes  No

Comments: \_\_\_\_\_

2. Is the information well organized?  Yes  No

Comments: \_\_\_\_\_

3. Is the page layout suitable for the material being presented?  Yes  No

Comments: \_\_\_\_\_

**Graphics**

1. How do you rate the quality and quantity of the photos/illustrations?  Yes  No

Comments: \_\_\_\_\_

**Text**

1. Does the information in the manual adequately explain how to operate and service the equipment?  Yes  No

Comments: \_\_\_\_\_

2. Are there paragraphs or procedures you feel need clarification? Please identify them by page number and add your comments.  Yes  No

Comments: \_\_\_\_\_

3. Is there anything you would add or delete from the manual to make it more useful?  Yes  No

Comments: \_\_\_\_\_

4. Is there any information that should receive more emphasis?  Yes  No

Comments: \_\_\_\_\_

Name: \_\_\_\_\_ Title: \_\_\_\_\_

Company \_\_\_\_\_








Address: \_\_\_\_\_

**1.5 Safety**

Safety procedures and safe practices must be followed during installation, operation, and maintenance of the waterjet pump. In this section we have provided label and sign descriptions used in this manual, as well as recommended safety procedures.

**1.5.1 Labels and Abbreviations**

The following describes hazard classifications of the waterjet pump.

 <b>CAUTION</b>	Indicates the presence of a hazard that can cause personal injury, or property damage if the caution instruction is ignored.
 <b>WARNING</b>	Indicates the presence of a hazard that can cause severe personal injury, death, or substantial property damage if the warning instruction is ignored.
	High pressure waterjet can cause eye injury. Wear eye protection when operating or working near machine.
	Hazardous noise can cause hearing loss. Wear ear protection when operating or working near machine.
	Hazardous voltage within can cause injury or death. Disconnect and lockout main power before opening cabinet.
	Start/Control Power On
	Stop

**Rear of Waterjet Pump**

- HP Water "OUT"
- Plant Air "IN"
- Cooling Water "IN"
- Cooling Water "OUT"
- Cutting Water "IN"
- Drain

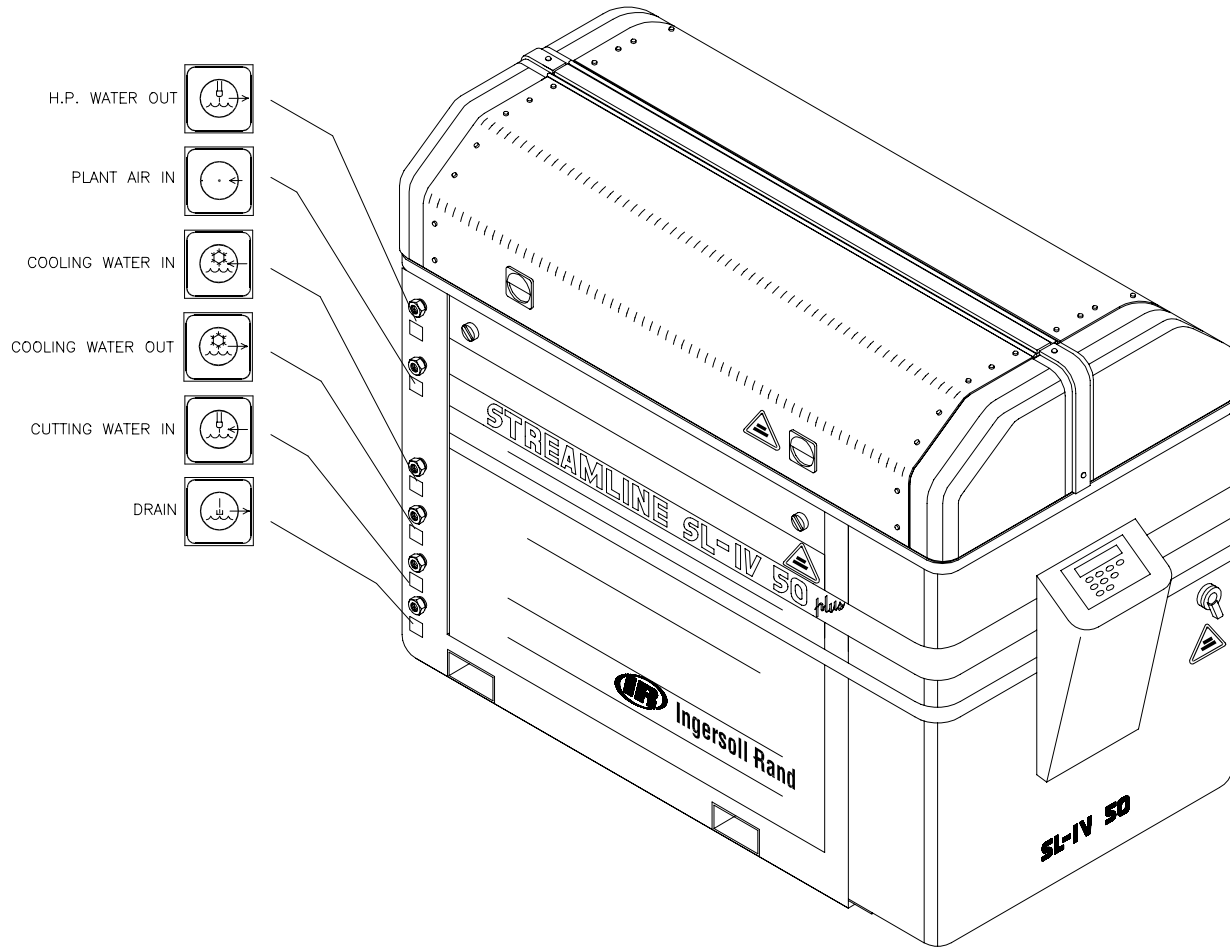
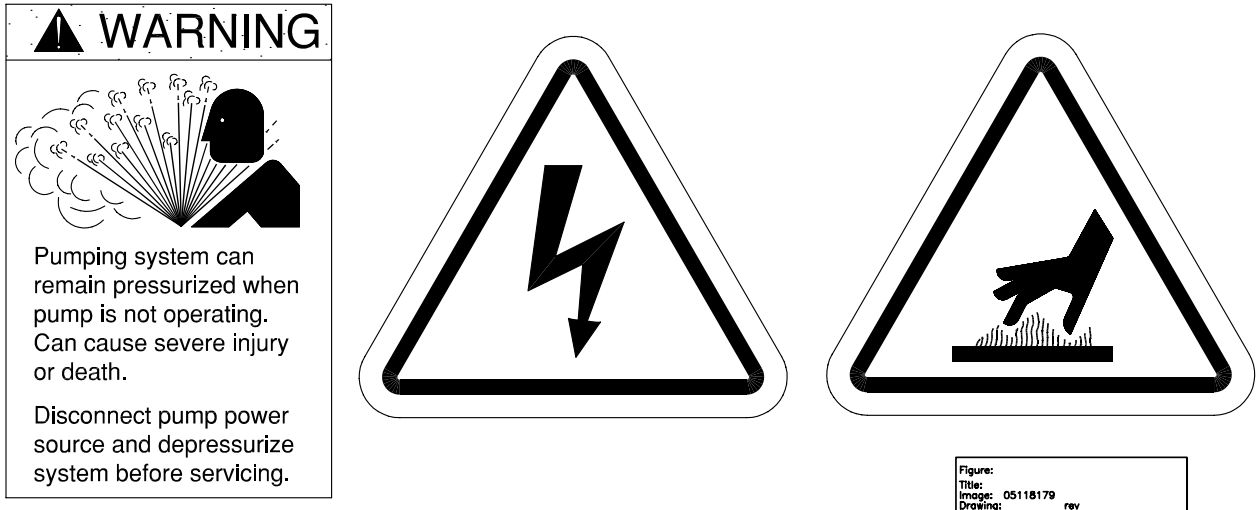


Figure: SERVICE CONNECTIONS  
 Title: 05148044  
 Image: rev  
 Drawing:

Figure 1-1 shows other safety labels or icons used on the SL-IV+ waterjet pump. Pressure warning (Figure 1-1(a)) warns against the hazard of trapped HP water or hydraulic pressure after the pump has been shut off. All high-pressure can be safely bled off if the operator will leave the HP cutting water valve open for a few seconds after shutting off the pump.

Figure 1-1(b) warns of electrical shock hazard when in the vicinity of the electrical enclosure or motor junction box. Figure 1-1(c) warns of hot surfaces on the HP water and hydraulic components while the pump is in normal operation.



**Figure 1-1. Other Safety Labels & Icons Used on the SL-IV Waterjet Pump**  
 (a) Trapped HP Water or (b) Electrical Shock Hazard (c) Hot Surface Warning Hydraulic Oil

**1.5.2 Safety Procedures**

Safety procedures must be observed while working on the pump, or any high-pressure component. **Service should only be performed by trained, qualified personnel.**

- The high-pressure water, 4,100 bar (60,000 psi) resident in a waterjet cutting system is an extremely high-energy medium. Persons working in the vicinity of high-pressure must exercise due respect for this pressure and always observe proper SAFETY PROCEDURES and SAFE WORK HABITS.
- Everyone associated with the waterjet cutting system must realize that the force of the waterjet cutting stream can penetrate many dense and strong materials.
- Keep all untrained people away from the waterjet cutting area. Use barriers or partitions if needed.
- Safety glasses must be worn at all times in the waterjet cutting area.
- All **EMERGENCY STOP** buttons must be checked periodically. The normal operating position is pulled out.
- To check: turn on power and activate the **EMERGENCY STOP** buttons one-at-a-time by pushing them in to insure that each button will shut the system down. Reset the pushbutton by pulling it out until it clicks. Each device should be checked on a specified schedule. Each time the device is checked, it must function or be replaced before operating the system.
- Apply High Purity Goop (P/N 10084440) to all threaded high-pressure connections. All tubing, fittings and bolted connections should be torqued to recommended values. Do NOT attempt to tighten or loosen a HP water fitting when the circuit is pressurized, see High Pressure (HP) Piping Safety.
- All high-pressure leaks must be repaired immediately.
- Inspect all equipment on a scheduled basis.

- Before performing any maintenance on the unit, **MECHANICALLY LOCK THE MAIN CONTROL POWER OFF**, and assure that all high pressure has been bled off.



Never do any work on the unit without making sure the electrical panel disconnect is locked out with a padlock in the OFF position, and that the proper tagout procedure has been implemented.



Never work on any high-pressure component, or loosen any high-pressure fitting without first bleeding the system and assuring there is no high-pressure water present.



Make sure the safety devices are operational. To panic stop the pump and bleed the high-pressure, an **EMERGENCY STOP** button must be pushed in while the system is active. The intensifier high-pressure dump valve will automatically open to bleed off the stored pressure..



Do not attempt to touch the waterjet stream, or contact the high-pressure water. The high-pressure water will penetrate all parts of human body without exception.



The liquid stream or material ejected by these extreme pressures can injure or kill.

### 1.5.3 High Pressure (HP) Piping Safety

High pressure piping must be installed without torsional or bending stresses. Proper supports and guides must be provided. 9/16" outside diameter HP tubing and fittings are recommended between the pump and the cutting station. This large tubing size will reduce vibration, strain and motion between the pump piping and the cutting area. The large piping diameter also reduces dynamic pressure drop and pressure pulsation.



Do not try to repair a leak in a HP water fitting when it is pressurized. Always shut off the power and bleed the HP water before doing maintenance on HP components. Weep holes are provided to release HP water if leakage occurs at a sealing surface. If a fitting is loosened with HP water present, a jet of HP water will exit the nearest weep hole with **possible hazardous results**.



Use extreme caution when handling high-pressure equipment. Possible failure from fatigue cracking or over-pressurization can result in a hazardous high pressure leak, or component failure.



A flexible 1/4" HP tube (whip) is frequently used on the cutting system to allow cutting nozzle movement. Supports and guides for the whip must be used, anti-vibration fittings and proper support must be provided to prevent failures from external loads (non-water related stresses). The whip will only flex in a single plane without being subjected to torsional stress. Torsional flexing will precipitate tubing failure. To prevent torsional stress, the use of high-pressure swivels is strongly recommended. To prolong swivel life the whip must pass through rigid support bearing blocks to prevent side-loading of the swivel spindle.



When tightening or loosening HP connections, always use a supporting wrench to avoid bending forces or stress on the connection. Do not exceed recommended torque values



High-pressure piping and fittings designed to 4,100 bar (60,000 psi) must always be used. Failure to do so may lead to catastrophic component failure, which can cause equipment damage, injury or even death.



**1.5.4 Emergency Medical Treatment**

An information card to aid treating a waterjet injury is included in the binder of each manual. The card is shown below. Contact the address shown for additional cards.

(Front Side)

<p style="text-align: center;"><b>Medical Alert</b></p> <p style="text-align: center;">This card is to be carried by personnel working with high pressure waterjet equipment. Obtain medical treatment immediately for ANY high pressure waterjet injuries.</p> <p style="text-align: center;"><b>KMT</b> Waterjet Systems</p> <p style="text-align: center;"><b>635 West. 12<sup>th</sup> Street</b> <b>Baxter Springs, KS. 66713</b> <b>(620) 856-2151</b></p>
--

(Back Side)

<p style="text-align: center;">This person has been working with water jetting at pressures to 55,000 psi (374MPa, 3740 bar, 3867 Kg/cm<sup>2</sup>) with a jet velocity of 3,000 fps (914 mps). Foreign material (sand) may have been injected with water. Unusual infections with microaerophilic organisms occurring at lower temperatures have been reported, such as gram negative pathogens as are found in sewage. Bacterial swabs and blood cultures may therefore be helpful. This injury must be treated as an acute surgical emergency and be evaluated by a qualified surgeon. Circulation may be compromised, therefore, DO NOT APPLY HEAT TO INJURED PART. For first aid: (1) Elevate injured part (2) Antibiotics (3) Keep injured person NPO.</p>
---

**Section 2 INSTALLATION****2 Installation**

The installation, start-up, operation, and maintenance of the SL-IV+ waterjet pump requires complete reading and study of this manual to understand the system in detail.

**2.1 Installation Overview**

Read the manual and become familiar with the operation of each component and its nomenclature.

Understand the complete system and its function before operating it.

Safety procedures and safe practices must be followed during installation, operation, and maintenance of the SL-IV+ waterjet pump.

**2.1.1 Buyer Obligations**

Equipment installation requires cooperation between the user and Ingersoll-Rand Waterjet. If on-site support is requested, the KMT Waterjet Systems Service Department will require the following tasks be accomplished before arrival at the customer site:

- The waterjet cutting equipment should be uncrated, positioned and leveled, with electrical and fluid services brought to the unit.
- Provide and install power drops with fused disconnects sized to the equipment power requirements.
- Provide and install pneumatic drops with manual shutoff valves.
- Provide all mounting and support brackets and hardware for high pressure tubing runs.
- Provide and install water conditioning equipment necessary to meet water purity requirements. Provide and install manual shutoff valves.
- Provide and install necessary cooling water inlet/outlet, and drain water connections to the intensifier pump, and/or cutting equipment and manual shut-off valves.
- Provide suitably located and sized drains and proper disposal of waste water.
- Provide, install and connect wiring between the intensifier pump(s), and the cutting station control system.
- KMT Waterjet supplies a pre-filled hydraulic system. If fluid is low or empty due to leakage during transit, the system must be filled per specifications.

**2.1.2 Seller Obligations**

If KMT Waterjet Service is requested, the following tasks will be the responsibility of the KMT Waterjet technician at installation.

- Insure site preparation is satisfactory.
- Remove internal strapping and blocking material.

- Insure that power is connected prior to equipment turn on.
- Insure that connections have been made for water and pneumatic service.
- Test motor rotation direction and correct if necessary.
- Check and test electrical signal connections between intensifier pump and cutting area.
- Power up and check out pump (and cutting station, if supplied by KMT Waterjet) for proper operation.
- Set booster pump discharge pressure.
- Install and test high pressure plumbing.
- Follow the standard test procedure to insure satisfactory performance.
- Train maintenance personnel in the performance of maintenance and repair procedures.
- Sign off the installation and testing on KMT Waterjet Systems standard acceptance document.

## **2.2 Installation Requirements (Utilities)**

### **Environment:**

The SL-IV+ waterjet pump must be installed indoors. Ambient conditions must not exceed maximum specifications.

### **Moving:**

The SL-IV+ waterjet pump has provisions to be moved with a forklift. Check weight specifications.



The waterjet pump is top heavy. Avoid situations that could result in the equipment tipping or overturning.



Electrical connections must be made by qualified personnel, and must meet national and local electrical codes.

### **2.2.1 Equipment Location/Environment**

#### **Space Requirements:**

There should be a minimum of 900mm (36 inches) clearance on all sides of the pump to facilitate service.

#### **Electrical Wiring:**

Power supplied to the pump must be in accordance with national and local electrical codes. See specifications or requirements.

Insure that the service voltage and ampacity are proper for this SL-IV+ pump. Voltage fluctuations in excess of +/- ten percent of nominal voltage may damage the SL-IV+ Pump and will void the warranty. Refer to Section 11, "**Specifications**".

**Control Wiring:**

Wiring for remote control of the pump must be in accordance with national and local electrical codes. The SL-IV+ Waterjet Pump has a 24vdc electrical control system and has a connector port for remote operation wiring on the pump control enclosure.

**2.2.2 Service Connections****Cooling Water IN/OUT:**

Supply plumbing must be properly sized to handle the necessary flow and pressure. Piping must meet national and local piping codes.

If municipal or well water is used for cooling, insure that the supply will flow a minimum of 3 gallons per minute at a minimum of 30 PSIG under maximum usage conditions.

If a facility-wide chilled water (active or evaporative tower) system is used for cooling, insure that there is a minimum of 30 PSIG pressure differential between the facility supply and the return (discharge) plumbing. Installation of an in-line pressure boosting pump may be necessary to provide adequate cooling flow.

**Cutting Water IN:**

Supply piping must be properly sized to handle the necessary flow and pressure, and must be capable of providing a minimum of 30 psi at maximum flow demand to insure adequate supply to the intensifier. Piping must meet national and local piping codes.

Prior to operation, insure that the cutting water meets minimum standards listed in Section 11 “**Specifications**”. Operation without proper water quality will shorten the life of certain intensifier parts and void their warranty.

Use only plastic or copper plumbing from the cutting water source to the SL-IV PLUS pump cutting water supply filter.

Thoroughly purge the cutting water supply plumbing prior to connecting to the SL-IV+ pump to avoid construction residue contaminating the pump.

**HP Water OUT:**

Properly rated, sized, and supported high pressure (HP) piping must be used to transport the high-pressure water from the SL-IV+ pump to the point of use.

If new HP discharge piping is installed, all burrs that might come loose under high pressure must be carefully removed, and the tubing sections purged with compressed air prior to assembly. Further, it is strongly recommended that the HP piping be purged under high pressure operating conditions, using a large, cheap orifice. Contamination from the HP piping will be released when the tubing expands under pressure. If the HP piping is not purged, expect to have early HP valve and orifice failures.

All stainless steel parts should have High Purity Goop (P/N 10084440) applied to the threads and contact surfaces prior to assembly. Do NOT USE ANY OTHER ANTI-SEIZE COMPOUND. Failure to use High Purity Goop will result

in galling of the parts, and will generally render them unusable. Do not use High Purity Goop on ANYTHING but stainless steel!

**Drain:**

Cutting water released in the activation of EMERGENCY STOP will be discharged from the intensifier drain port and must be piped to an appropriate location (i.e. sewer line). The volume of water released will be minimal, and will not require high-pressure plumbing. Piping must meet national and local piping codes.

**Compressed Air:**

The facility air connection to the SL-IV Pump should provide clean, dry air at 85 PSIG. Air usage is minimal and less than 1 SCFM.

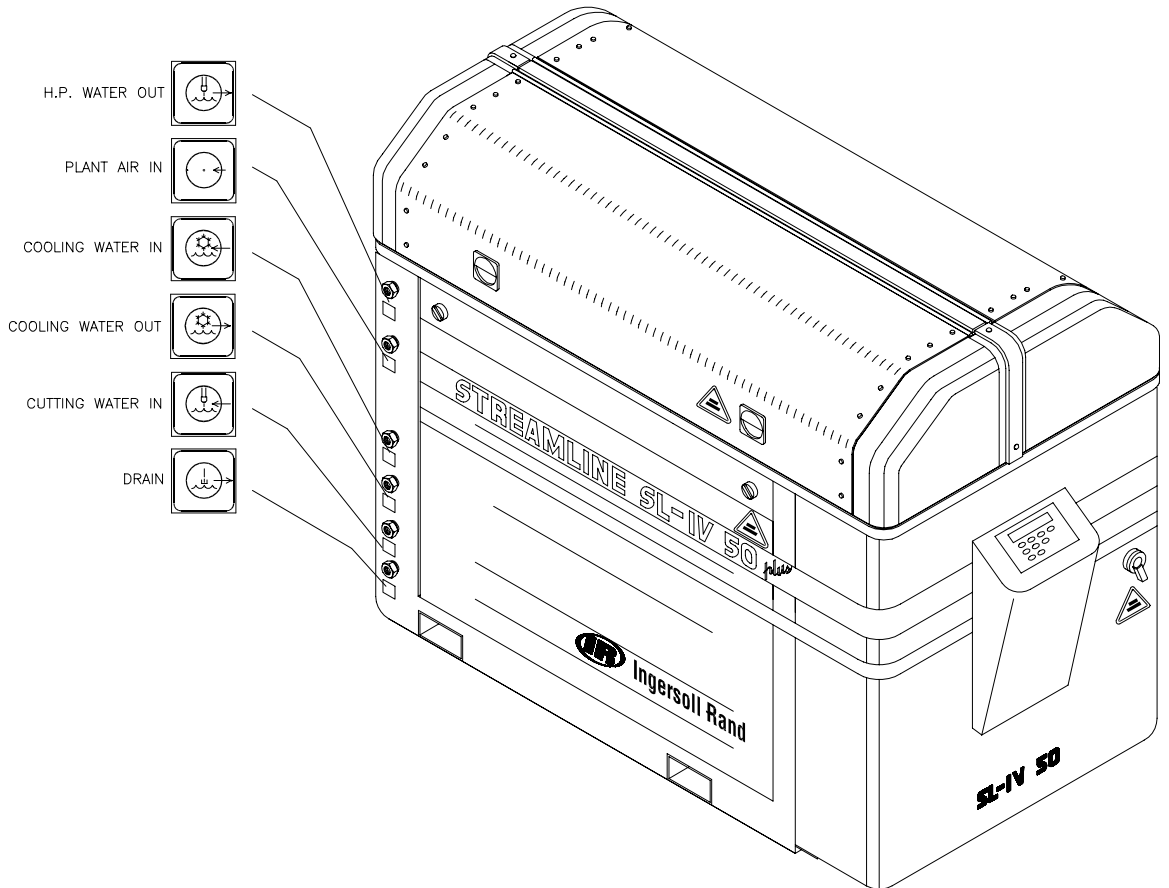


Figure:  
Title: SERVICE CONNECTIONS  
Image: 05148044  
Drawing: rev

**2.2.3 Tools and Equipment**

**HP Tube Coning and Threading Procedures**

Determine Tube Length - Measure the distance (L) between the fittings, then add two times the tube engagement length in the following table. Cut tubing to length and deburr.



High-pressure piping and fittings rated for 4,138 bar (60,000 psi) must be used. Failure to do so may result in component failure causing equipment damage, personal injury, or death.

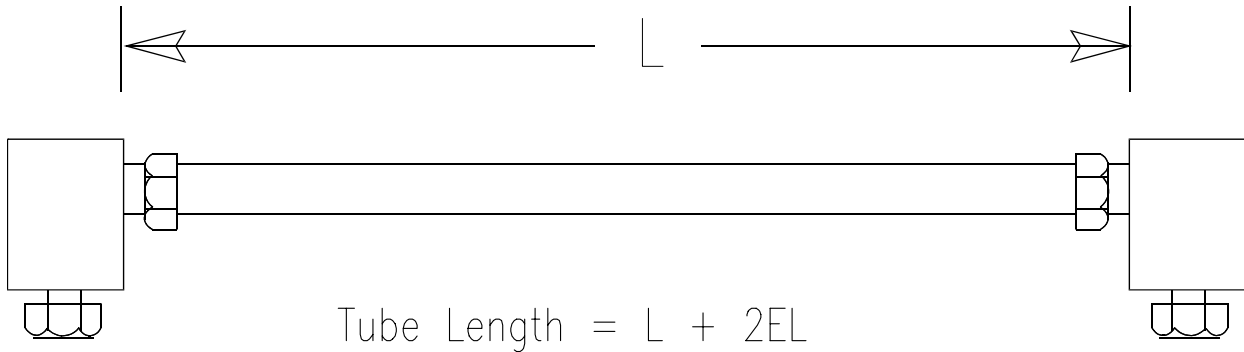


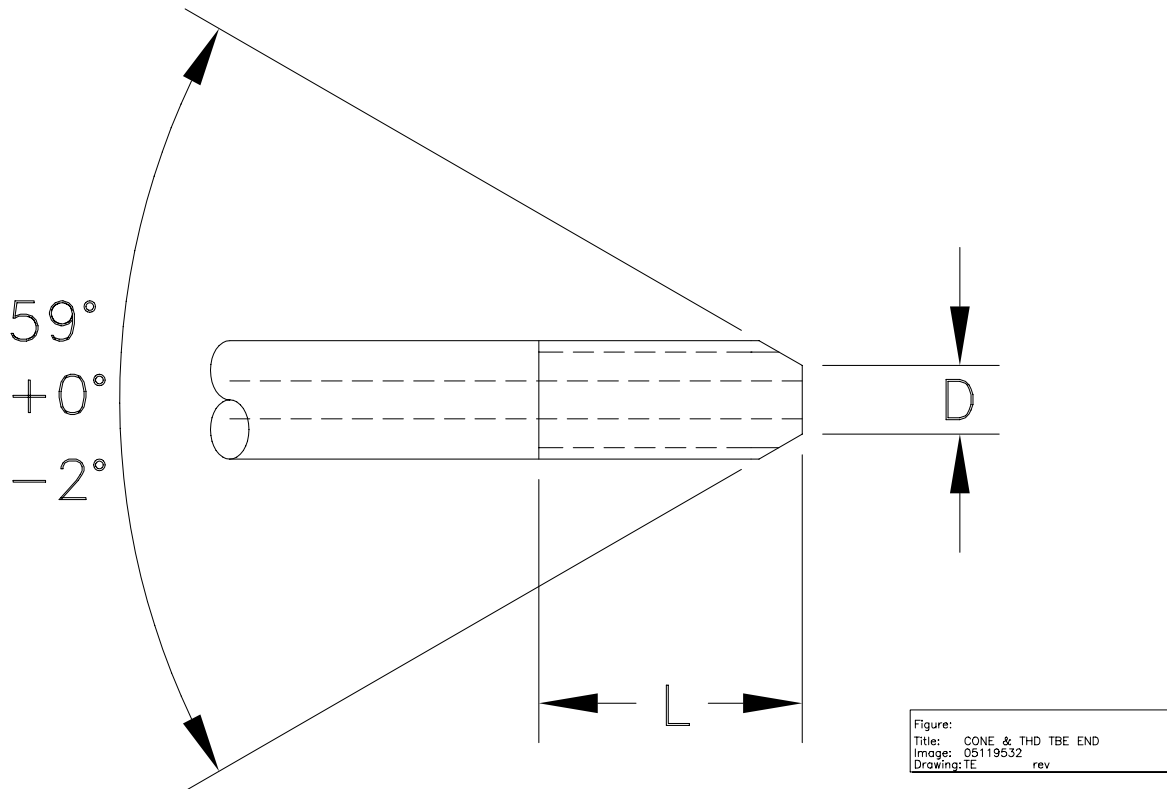
Image: 05119524  
Drawing: HP TUBING rev --

**Tube Engagement Length**

<b>HP Tube Diameter (inch)</b>	<b>Engagement Length (EL) mm (inch)</b>
1/4"	12.7 (0.50)
3/8"	17.5 (0.69)
9/16"	21.3 (0.84)

**Cone and Thread Tube**

Cone and thread both ends of the tube per following diagram and procedure.

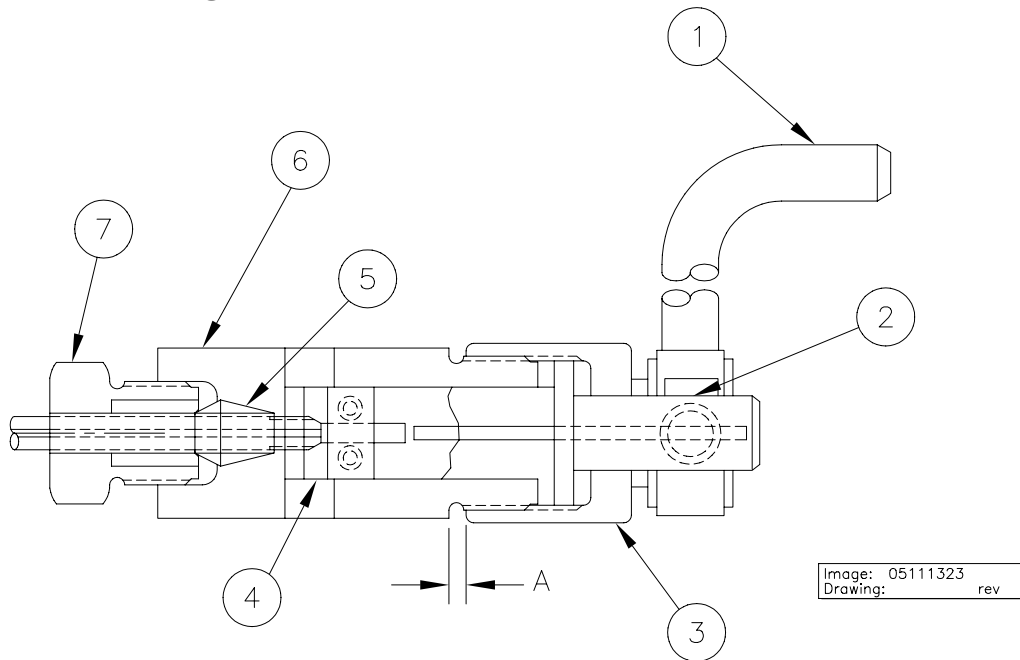


**Cone and Thread Dimensions**

<b>O.D. Size mm (inch)</b>	<b>I.D. size mm (inch)</b>	<b>D (max) mm (inch)</b>	<b>L (max) mm (inch)</b>	<b>Thread NF-LH</b>
6.35 (1/4")	2.11 (0.083)	3.58 (0.141)	14.3 (0.562)	(1/4"- 28)
9.52 (3/8")	3.18 (0.125)	5.56 (0.219)	19.1 (0.750)	(3/8"- 24)
14.27 (9/16")	4.78 (0.188)	7.14 (0.281)	23.8 (0.938)	(9/16"- 18)

To cone the tubing, use the following figure as reference.

**Cone and Threading Tool**



**Item Description**

- (1) Cutter Handle    (2) Cutter Support    (3) Feed Nut  
 (4) Cutting Blades    (5) Collet    (6) Housing    (7) Gland Nut

<b>Tube Size (inch)</b>	<b>1/4"</b>	<b>3/8"</b>	<b>9/16"</b>
<b>A mm (inch)</b>	3.30 (0.13)	4.07 (0.16)	7.11 (0.28)
Coning Tool (IR Part)	10079556	10097418	10079663
Threading Tool (IR Part)	10079697	10097434	10097442



**Coning**

- Place the appropriate size coning tool in a vise so that lubricant can flow to cutting blades (4).
- Set feed nut (3) location as shown in dimension A.
- Slide tubing through collet (5) until end contacts cutting blades (4) and tighten gland nut (7) just enough to firmly grip tubing.
- Turn feed nut (3) counterclockwise to back cutters away from tubing, and tighten gland nut (7) with wrench.
- Apply cutting oil through the opening in the coning tool. A medium weight cutting oil having high sulfur content is recommended. Use cutting oil freely throughout the cutting operation to prevent dulling the coning blade.
- Turn the feed nut (3) clockwise until cutting blades (4) contact end of tubing.
- Rotate the cutter handle (1) in a clockwise direction while simultaneously turning the feed nut (3) in a clockwise direction at a rate to assure that the cutting blades (4) are taking a light cut at all times.
- Continue rotating cutter handle until feed nut bottoms on housing (6), then rotate cutter handle several more revolutions to face-off the end of the cone.
- Unscrew the feed nut (3), and remove the blade spindle (2) from the coning tool. Loosen the collet, slide the tubing (8) into the housing (6) until it extends approximately 100mm (4 inches) and then retighten the collet.

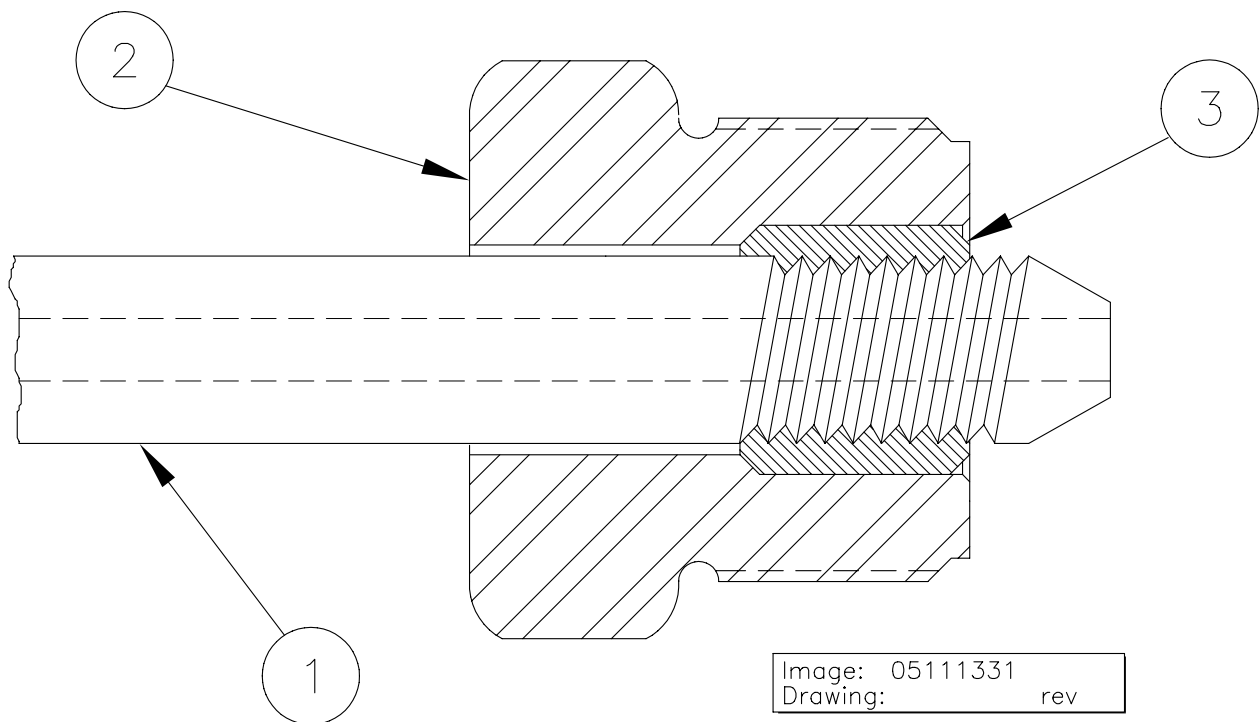
**Threading**

Place the appropriate sized threading tool on the coned end of the tubing, large end forward. Apply pressure to start the cutting action and rotate the die holder counterclockwise until the threads are cut per the cone and thread dimension table.

**HP Tube End Connection - Regular**

The following type of connection is for general applications, where the only load on tubing is due to internal pressure.

1. Slip the gland nut (2) on the tubing (1) as shown and lubricate the threads with a light coat of High Purity Goop. Thread the collar (3) on the tubing until one to two threads are exposed between the collar (3) and the tube cone.
2. Lubricate the male threads of the gland nut with High Purity Goop. Insert the tubing assembly into the fitting, engage the gland nut and tighten finger-tight.
3. Tighten the gland nut to the specified torque given in the torque table.



**HP Tube End Connection - Antivibration**

The following type of connection must be used when tubing will be subjected to vibration, rotation, movement, and side loads (i.e. whip tubing). Lubricate threads as above.

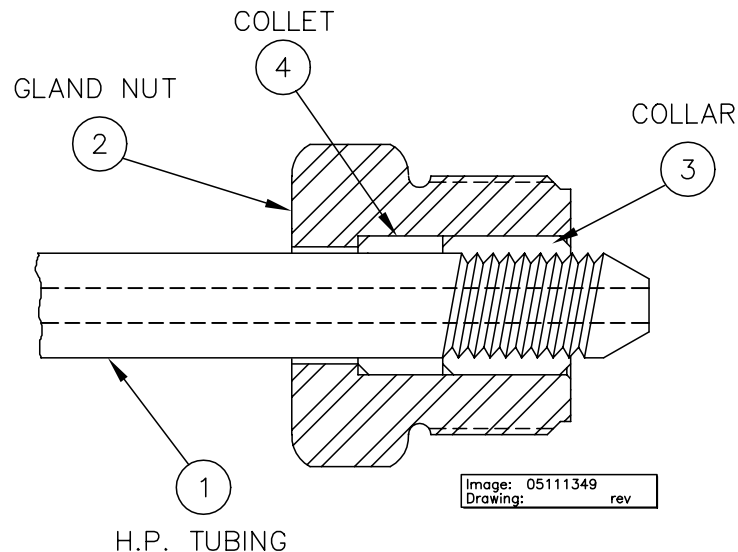
**WARNING**

Do not depend on end connection to take the tubing load alone. Proper piping support and guide must be provided.

**WARNING**

Do not subject the tubing to torsional (rotational) stress. To do so will cause premature failure.

1. Slip the gland nut (2) and the anti-vibration collet (4) on the tubing (1). Thread the collar (3) on the tube until one to two threads are exposed between the collar and the tube cone.
2. Lubricate the male threads of the gland nut with High Purity Goop. Insert the tubing assembly into the fitting, engage the gland nut and finger tighten.
3. Tighten the gland nut to the specified torque according to the table of Recommended Torque Values in this section.



---

**Section 3 OPERATION****3 SL-IV PUMP OPERATION-**

Note: all operational control functions for this KMT Waterjet SL-IV pump are provided by the motion / cutting table / box OEM. For a description of the KMT Waterjet model SL-IV pump sensors and solenoids, see Section 8: 'Electrical Systems'.

This section is devoted to an explanation of the SL-IV+ control logic and operators interaction with it. The SL-IV+ has comprehensive fault detection and troubleshooting logic in the control, and allows operator control of the sensitivity of the overstroke detection in order to optimize the logic for specific operating conditions. The operator functions and warnings programmed in the control of this intensifier offers an unprecedented and comprehensive view of the operating parameters, impending faults, shutdown faults, and suggested remedies. The operator's interface is through a touch sensitive control display on the control console where several menu screens can be selected for various purposes. The screens and their use are explained in this section. The pages following will explain the functions available in the control and how to select and use them.

Following is an explanation of the functions of the control logic, including the start-up sequence.

- The intensifier is equipped with a booster pump output pressure switch. Seven seconds after the intensifier is started, the switch is monitored. If the switch opens, a warning is issued (message and flashing red light). If the condition persists for 30 consecutive seconds, the intensifier is shut down.
- The intensifier is equipped with an inlet cutting water pressure switch. If the switch is not closed, the intensifier will not start and a warning is issued (message and red flashing light). After the intensifier is started, if the switch opens, the same warning is issued. If the condition persists for 20 consecutive seconds, the intensifier is shut down.
- The intensifier is equipped with separate total hour and maintenance hour meters for intensifier one and intensifier two. The operator can reset both maintenance meters. Both total meters can be set to any value via a password protected configuration screen. Without access to this screen, the hour meters can not be reset or changed.
- The Intensifier is equipped with a maintenance function to allow the user to set the plunger in either the left or right position for ease of maintenance.

- Overstroke (**no longer called Leak**) shutdown level is adjustable between 30% and 120% of full capacity. The overstroke warning level is automatically set 10% below the shutdown level set by the operator. Overstroke warnings, pending shutdowns and shutdowns are issued in three types, left, right and intensifier. An intensifier warning or shutdown indicates that the intensifier is shifting too fast in both directions and would point more towards a problem with the orifice or plumbing rather than check valves or seals. If a left or right shutdown occurs, the display tells the operator which parts are suspect. Sometimes, especially if the intensifier is running near full capacity an intensifier shutdown can be displayed when it is actually caused by a left or right fault. This can be diagnosed further by turning the operating pressure down and watching the **Alarms** screen, which displays all alarm occurrences.
  - Real-time running capacity and stroke rate are shown on the display.
  - A resettable stroke counter for both intensifier one and intensifier two are provided on the display.
  - The part numbers for both the PLC and display logic along with the software revision number running on the machine are shown on the Maintenance Screen.
  - The PLC monitors the motor overload relay and displays a message when the overloads trip. The overloads will now be set on automatic reset rather than manual so the enclosure does not have to be opened to reset them.
  - The display will give a message (**motor feedback failure**) if the start relay does not close at start-up or opens due to fault.
  - The start-up sequence will depend on the circumstances.
- (1) **Standard machine-start up after machine has been E-stopped:** Safety dump valve will be open. It will close 3 seconds after the intensifier begins stroking. The pump will be held in low pressure for 20 seconds after motor is started after which pressure will go to high if high is selected, otherwise will stay in low.

The purpose for this is to allow entrapped air to be bled from any HP cylinder that has been maintained to avoid hot air burning the plunger seals.

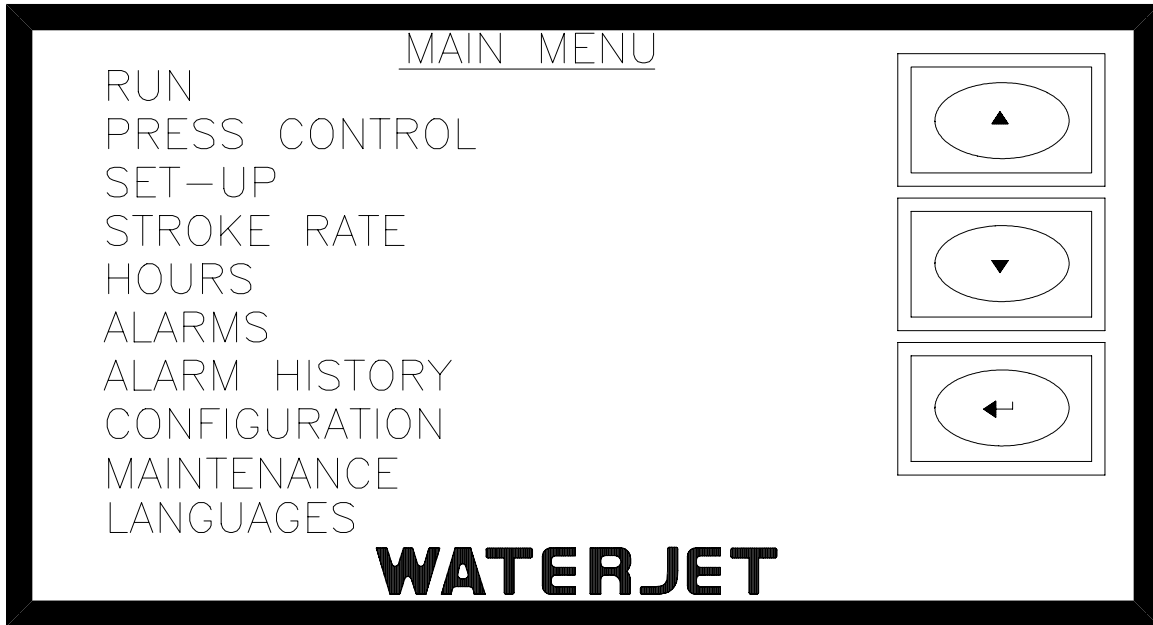
- (2) **Standard machine-start up after normal stop:** Safety dump valve will be closed, pump will be held in low pressure for 20 seconds after motor is started, after which the pressure will go to high if high is selected, otherwise will stay in low. The purpose for this is to allow entrapped air to be bled from any HP cylinder that has been maintained to avoid hot air burning the plunger seals.

**(3) Machine equipped with HP transducer-start up after E-stop:**  
same as (1) above.

**(4) Machine equipped with HP transducer-start up after normal stop:** If pressure is allowed to bleed through orifice to below 1,000 psi, dump valve will open and start up will be like (1) above, if pressure is not allowed to bleed, start up will be as (2) above.

- The display screen will always default to the **Run** screen after being on any other screen more than 5 minutes.
- If the intensifier is equipped with a HP transducer, the displayed pressure can be shown in psi or Bar. Recalibration of the transducer is automatic and does not require operator input.
- If the intensifier is equipped with an hp transducer, another level of overstroke protection is obtained by shutting down at the warning level if the pressure is less than 3,000 psi.
- The display saves the last 100 alarm shutdown messages, which can be viewed with times, dates and message contents.

**MAIN MENU** Scroll up and down to page through the various screens and press **ENTER** to select desired screen



**Run** Screens -(4) Start, stop, recirc, recirc time, select high or low pressure, select intensifier if redundant. Run Screens appear according to options.

**Pressure Control** Screens - (2) Increment or decrement pressure setting. Display machine pressure. These screens will appear only on machines equipped with analog pressure control.

**Set-up** Screens -(2) Water reset function, idle shutdown time. Transducer and Proportional Pressure Select, Redundant select. Screen configures display for a particular machine. Analog Also contains PSI/BAR select button .

**Stroke Rate** Screens (2) - Set and observe machine stroke rate, stroke count.

**Hours** Screen- (2)Displays total operating hours and re-settable maintenance hours.

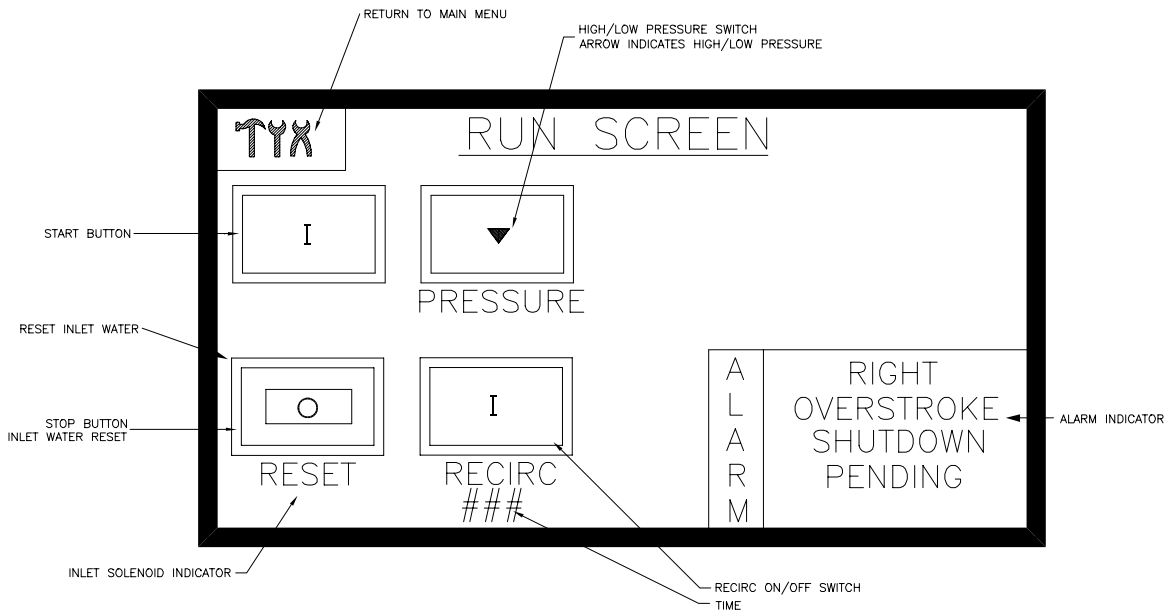
**Alarm** Screen - Displays all alarm conditions.

**Alarm History** Screen - Displays time and date of shutdown alarms and keeps history up to 100 past alarms.

**Configuration** Screen - Secure screen used by manufacturer to change certain display settings.

**Maintenance** Screen - Stop, start recirc, jog left, jog right for maintenance.

**Language** Screen - Select five languages



**RUN SCREEN**

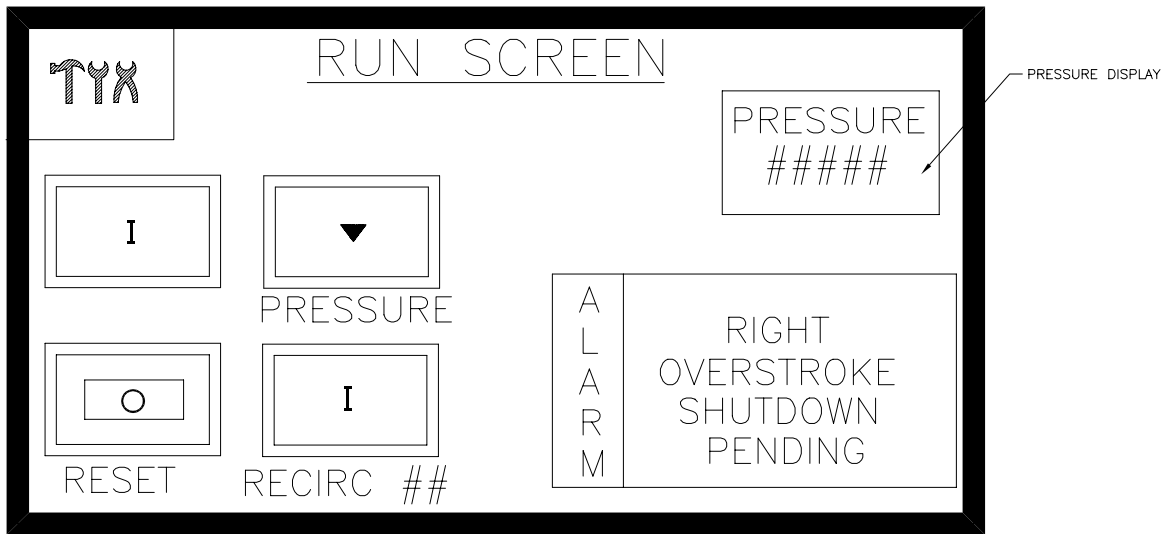
**THIS IS THE ONLY SCREEN WITH A MACHINE START FUNCTION**

- I**            **START**    On all screens this indicates **start** or **on**.
- O**            **STOP**     On all screens this indicates stop or off.
- Pressure**    When equipped with pressure transducer (Run Screen 2).
- ALARM**      In alarm state, the **last** alarm sensed by machine will be displayed. Multiple alarms can be displayed on the alarm screen.  
Select intensifier 1 or 2 if equipped.  
On power-up display will default to this screen.  
After 5 minutes on any screen, display will return to Run Screen.
- Recirc**      Select this to toggle the recirculation mode on or off. The recirc mode runs the machine without generating high pressure, and is used to circulate the hydraulic oil through the heat exchanger to cool the oil following a high temperature shutdown.
  - (I)**            Indicates recirc on
  - (O)**            Indicates recirc is off.
- Stop**        Stop Recirc with this button.
- High-Low Pressure Switch**    Select high or low water pressure. (Machine always starts in low pressure.) Arrow indicates selected pressure following machine startup delay expiration.
- RESET**      Indicates inlet water function must be reset. Reset by pressing **STOP** button.

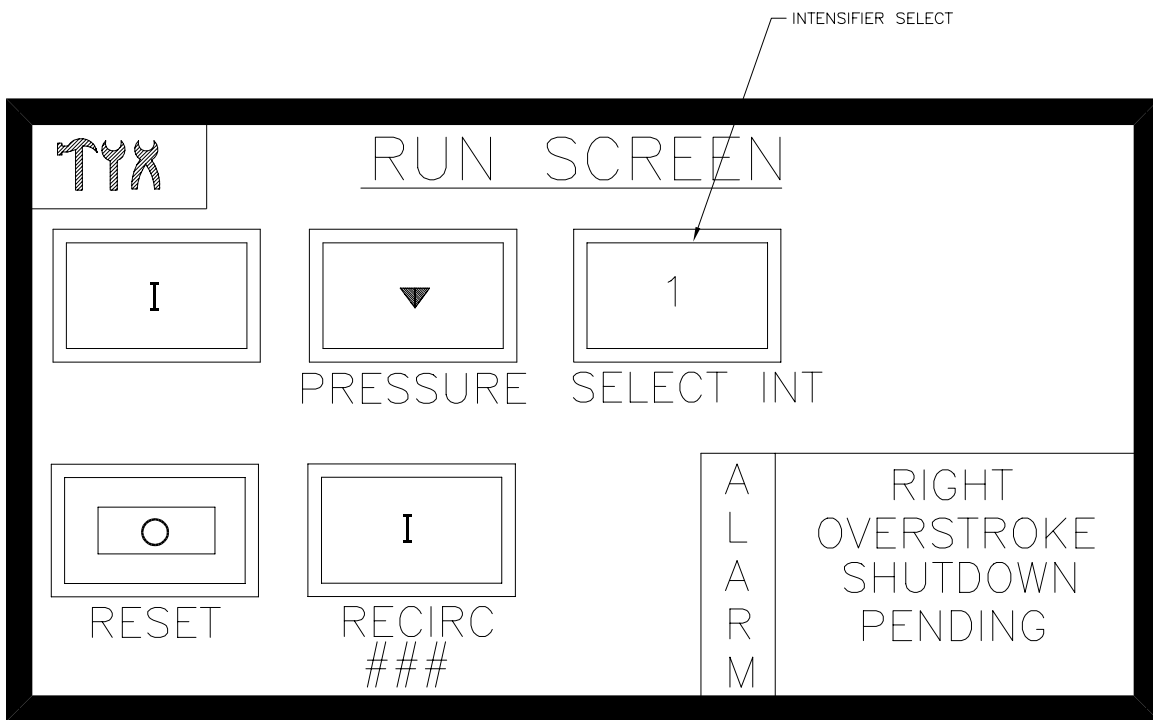


**Run Screen ALARMS**

1. **High Oil temperature** – Indicates high hydraulic oil temperature-150° F.
2. **High Pressure Warning** – Indicates that output pressure is above 64,000 psi or 4,413 BAR.
3. **Booster Temperature High** – Indicates booster pump water temperature is high and machine shutdown is pending-128° F.
4. **Low Booster Pressure** – Indicates that booster pump output pressure is inadequate for proper machine operation and shutdown is pending, less than 60psi.
5. **Low Inlet Water Pressure** – indicates that cutting supply water pressure is inadequate to permit proper machine operation and shutdown is pending, less than 30psi.
6. **Bleed High Pressure Lines** – Indicates that the intensifier is shut down and that high pressure is present in the discharge plumbing of the intensifier that should be bled off to avoid the possibility of injury.
7. **Left/Right/Intensifier Overstroke Warning and Shutdown Pending** – Indicates an abnormally high stroke rate caused by an external or internal leak. If the condition persists, the machine will be shut down with an Overstroke Shutdown alarm.
8. **Reset Inlet Water** - Indicates inlet water must be reset. RESET will flash and can be reset by pressing stop button

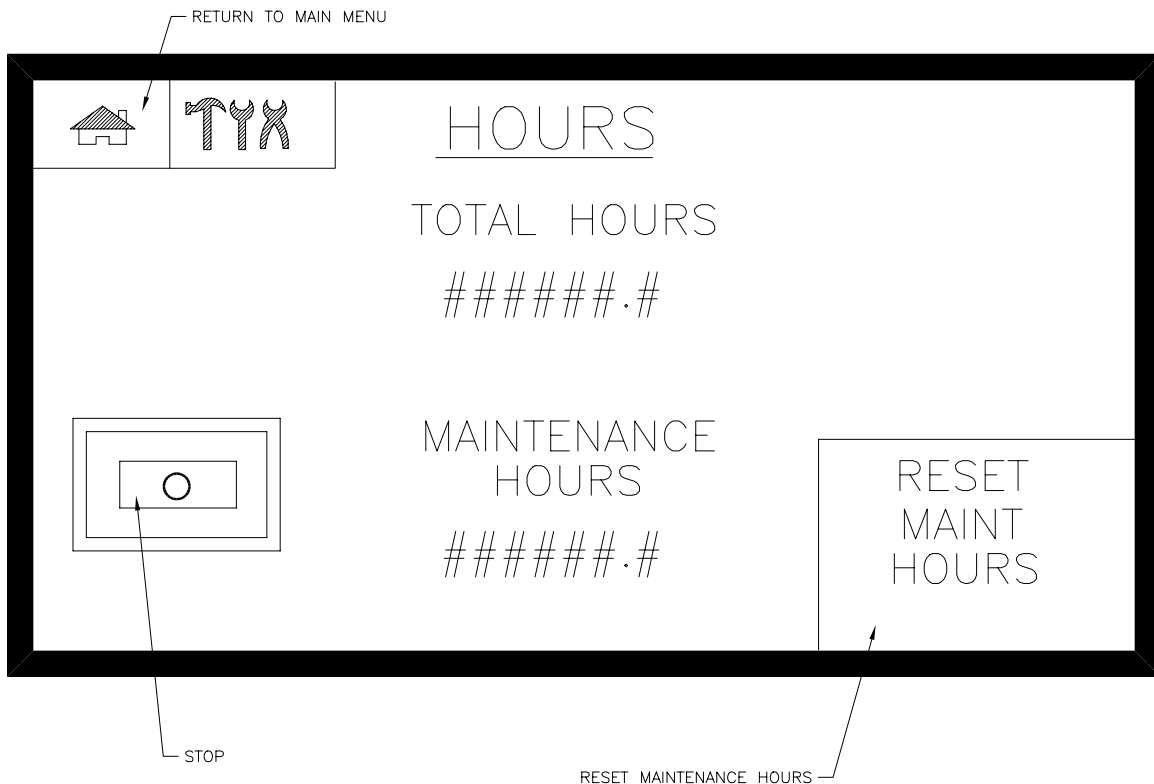


**RUN SCREEN 2**



**RUN SCREEN 3 (REDUNDANT)**

This screen will be displayed if **REDUNDANT** button on the **SETUP** screen is **ON**. **SELECT INT** button is used to select intensifier one or two



### **HOURS**

Machine can be Stopped from this screen.

**HOURS** This screen displays total machine hours and resettable maintenance hours to 9,999,999 for intensifiers 1 and 2.

**TOTAL HOURS** cannot be reset.

**MAINTENANCE HOURS** on intensifiers 1 and 2 can be reset by pressing the RESET MAINT HOURS display button.



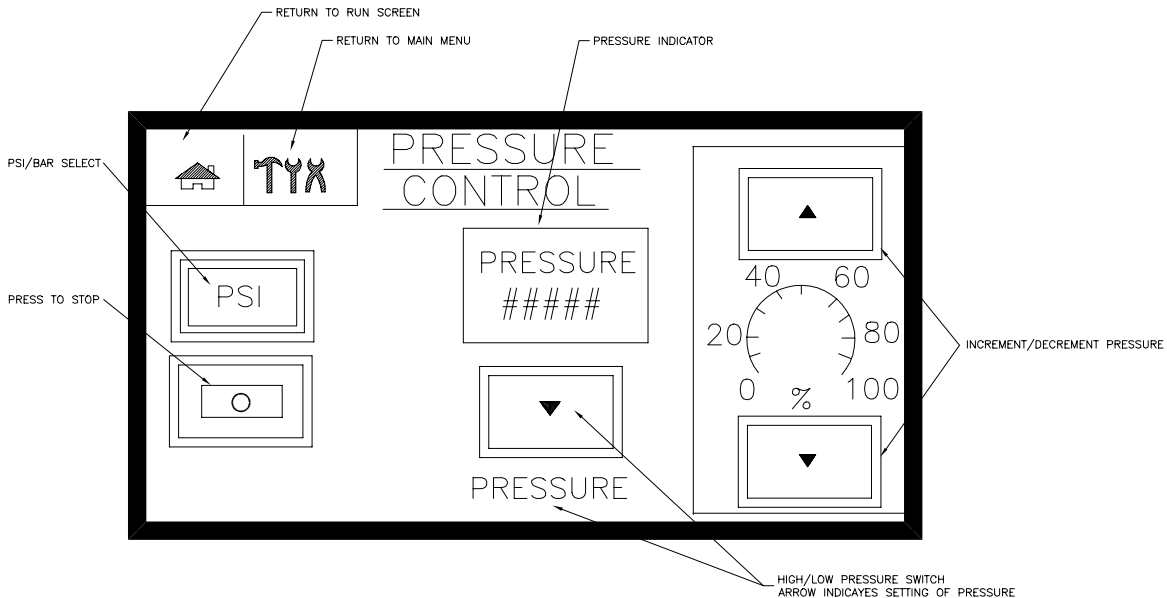
(EXAMPLE)

### **ALARM HISTORY SCREEN**

The alarm list stores the last 100 triggered alarms indicating date, time and type of alarm.

Scroll up and down to see alarm history.

The Alarm History Screen does not have an intensifier **STOP** function.



**PRESSURE CONTROL SCREEN**

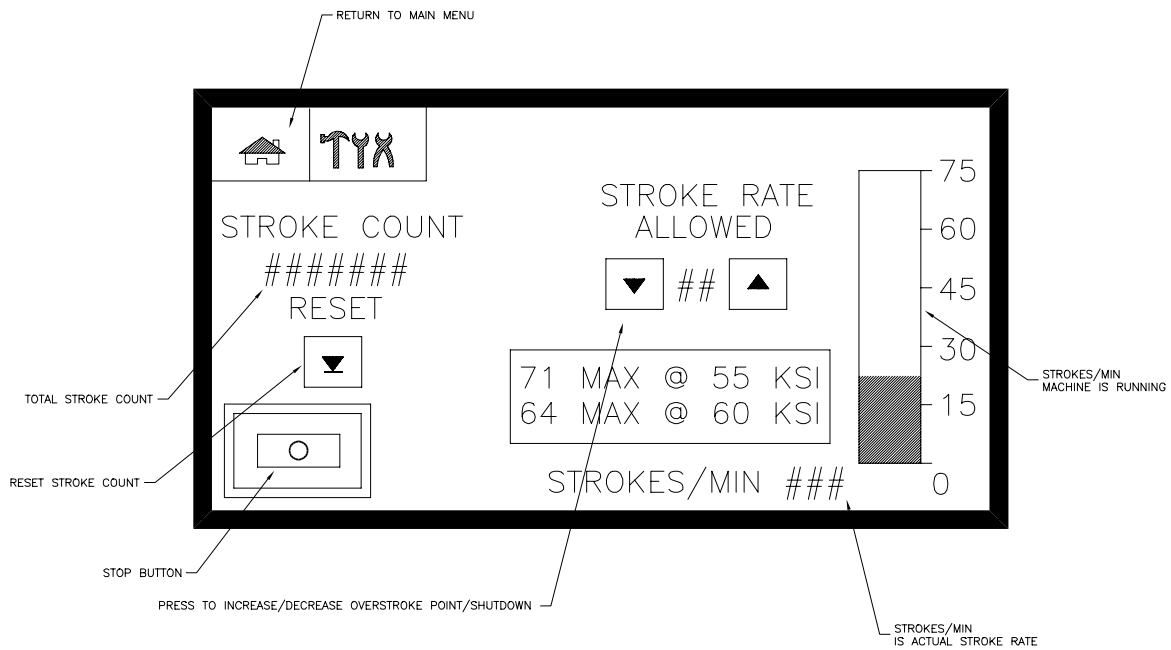
**SET PRESSURE** Set pressure to desired setting from 0 to 100 % in 1 % increments. UP arrow to increase pressure, DOWN arrow to decrease pressure.

**PRESSURE CONTROL SCREENS** will not appear if analog module (pressure transducer and/or proportional valve) is not installed on the machine. If pressure control on main menu is selected and a proportional valve is not installed, a screen will appear indicating **“THIS UNIT IS NOT EQUIPPED WITH PROPORTIONAL CONTROL”**.

The **PRESSURE CONTROL SCREEN** that is required can be selected on the **SET-UP SCREEN** for the appropriate pressure control, used if a proportional valve, a pressure transducer, or both are used on machine. These are the **TRANSDUCER SELECT** and **PROPORTIONAL SELECT** buttons on the **SET-UP SCREEN**.

**HIGH/LOW** pressure switch and **UP/DOWN** arrow indicating high or low pressure also on this screen. The same function is on the **RUN** screen.

Machine **PRESSURE** is also indicated on this screen in either PSI or BAR. Can be changed on **PSI/BAR SELECT** button. This function is only found on machines with a transducer installed.



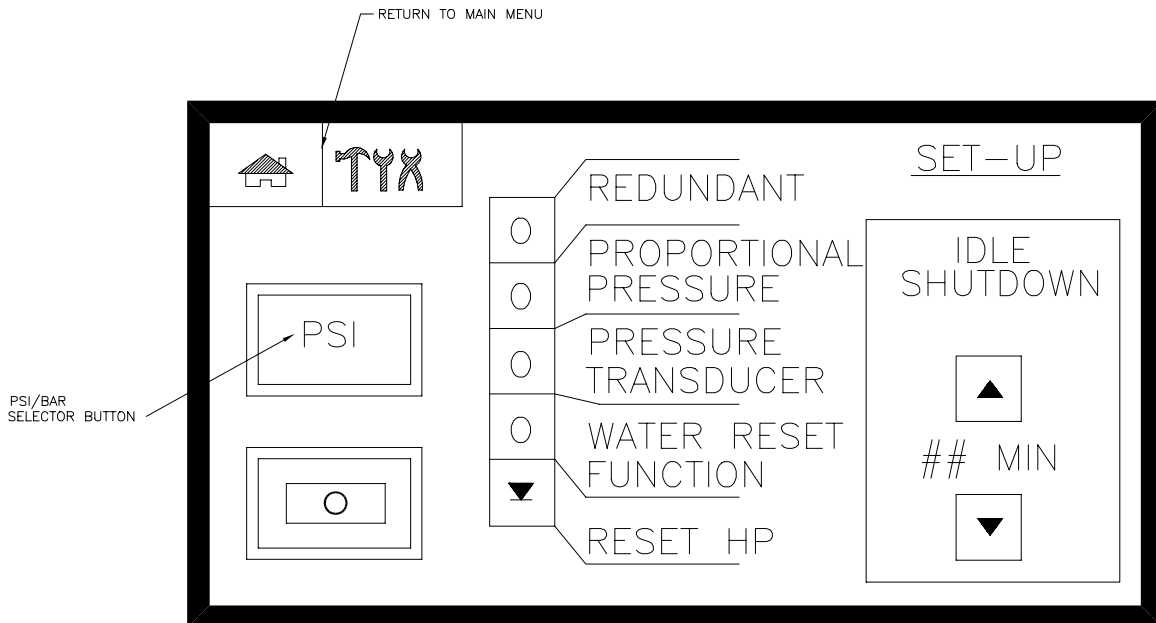
**STROKE RATE SCREEN**

Set STROKE RATE 2 to 4 strokes above normal running rate to shutdown machine in case of overstroke condition.

**RESET** Press to reset intensifier stroke count.

**STROKES/MIN** is actual stroke rate.

The **bar graph** illustrates strokes/minute.



**SET-UP SCREEN (2)**

This screen will be displayed if analog control present.  
 Select if Proportional Pressure, Pressure Transducer, or both are in unit.  
**PSI/BAR** selector button changes pressure display on **RUN** screen and **PRESSURE CONTROL** screen

There are two **SET-UP SCREENS** – If analog pressure control is not installed on the machine, a screen will appear that does not include the **TRANSDUCER** and **PROPORTIONAL SELECT** buttons. These buttons are used only if a pressure transducer and/or a proportional valve are installed on the machine

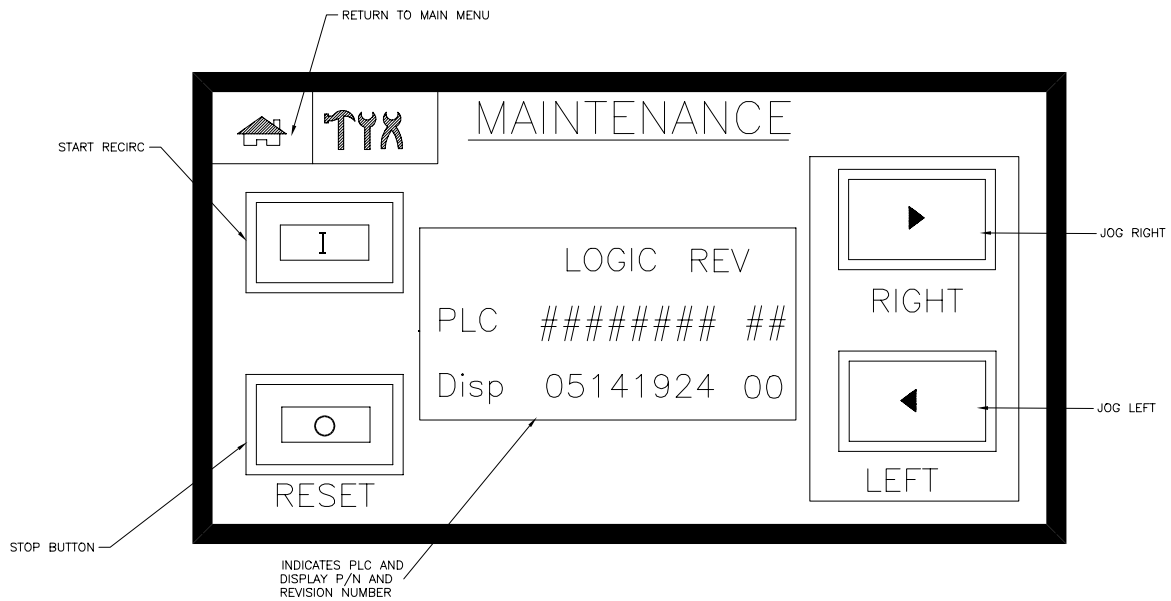
**WATER RESET FUNCTION**

Press on **(I)** to shut water off five (5) minutes after machine shuts down. Selecting this function will insure that the inlet cutting water is shut off following a shutdown fault. This can prevent water from leaking past a damaged water seal following an overstroke shutdown caused by a seal failure.

**IDLE SHUTDOWN TIMER**

To set idle shutdown time press up/down arrows from 5-30 minute increments. This feature saves energy by automatically shutting down the intensifier if it is not being used.

Redundant-press on **(I)** if two topworks are present. This function changes screens to indicate two topworks are present.



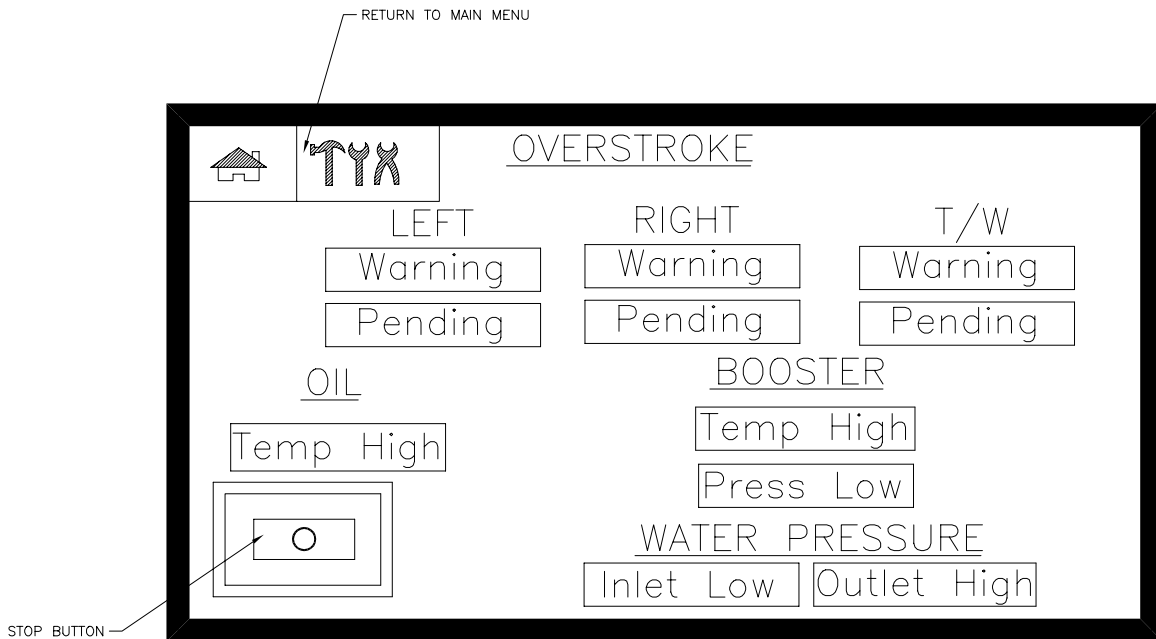
**MAINTENANCE SCREEN**

Start button will start unit in RECIRC mode and will open dump valve. STOP button will stop unit. Jog right will extend piston to the right giving full exposure to the right plunger once the unit is disassembled. Jog left will do the same to the left plunger.

**CAUTION: Unit must be completely assembled to use Jog functions.**

PLC and display part and revision numbers are displayed on this screen to indicate programs installed.





**ALARM SCREEN**

In **ALARM** condition, Message/Alarm, will flash. Messages are not visible if an alarm condition does not exist. All alarm conditions are visible on this screen and on **START** screen.

**OIL** Indicates high oil temperature. High oil temperature will shut the machine off 60 seconds after detection of this alarm condition.

Low oil level (not on this screen) will immediately shut the machine off. This alarm will appear on the **ALARM BANNER**.

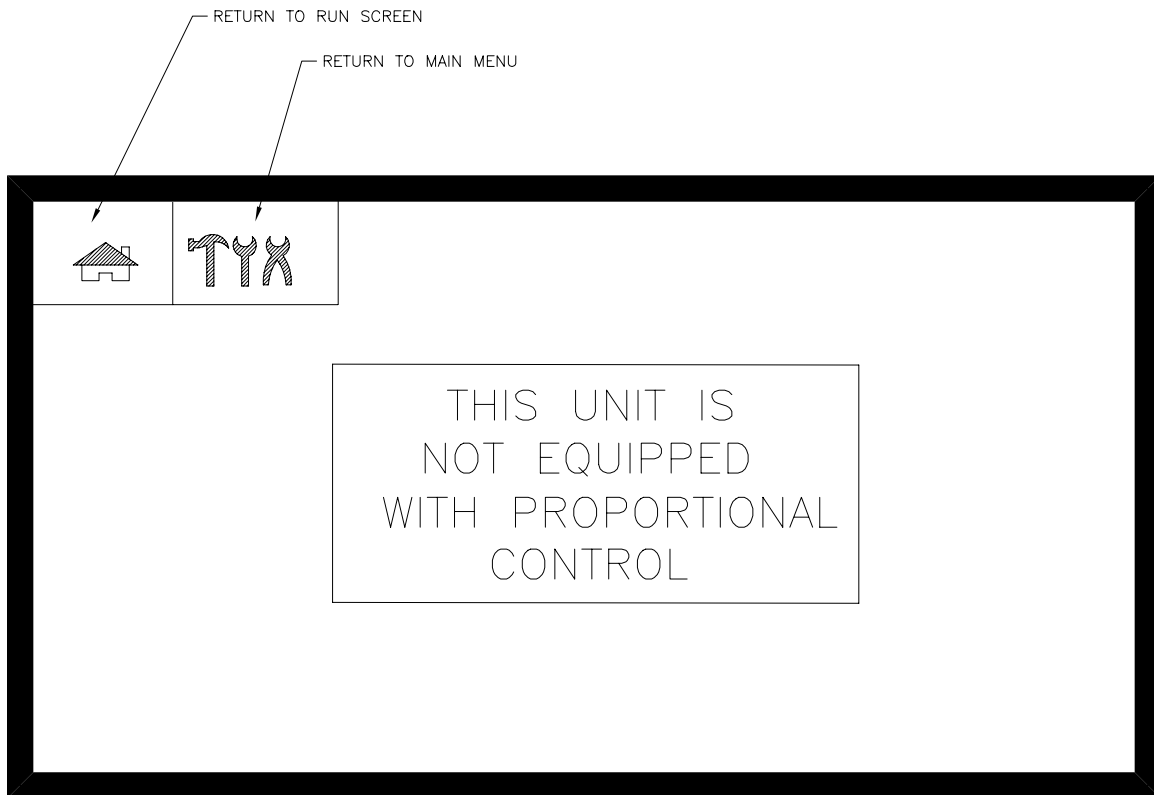
**BOOSTER PRESS LOW** Alarm indicates low booster pump output pressure. Low booster pressure will shut down the machine 40 seconds after alarm condition is detected.

**HIGH BOOSTER TEMPERATURE** Alarm indicates high booster pump temperature. The machine will shut down 30 seconds after this alarm condition is detected.

**PRESSURE INLET LOW** alarm indicates low booster outlet water pressure. The machine will be shut off if the condition persists for 30 seconds.

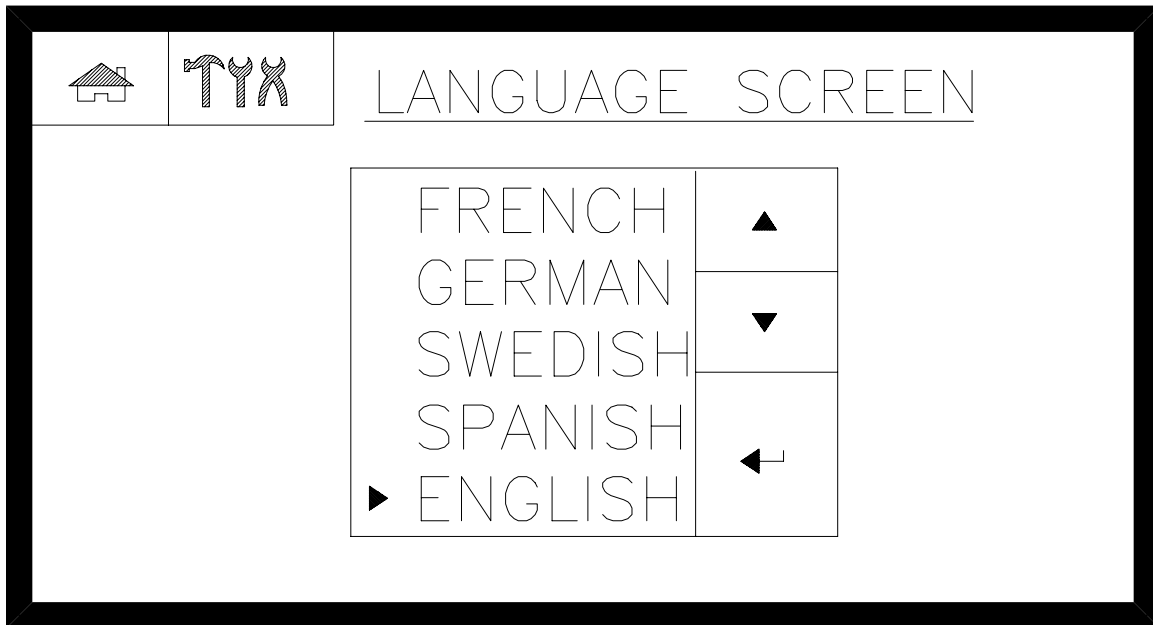
**OUTLET HIGH** alarm indicates excessively high discharge water pressure. This alarm is available only if a pressure transducer is installed on the machine.

**OVERSTROKE** Alarms indicate overstroke conditions. First a **WARNING**, then a **PENDING SHUTDOWN** alarm will occur. If condition persists the machine will SHUTDOWN due to overstroke. This shutdown condition is indicated on the **ALARM BANNER**.



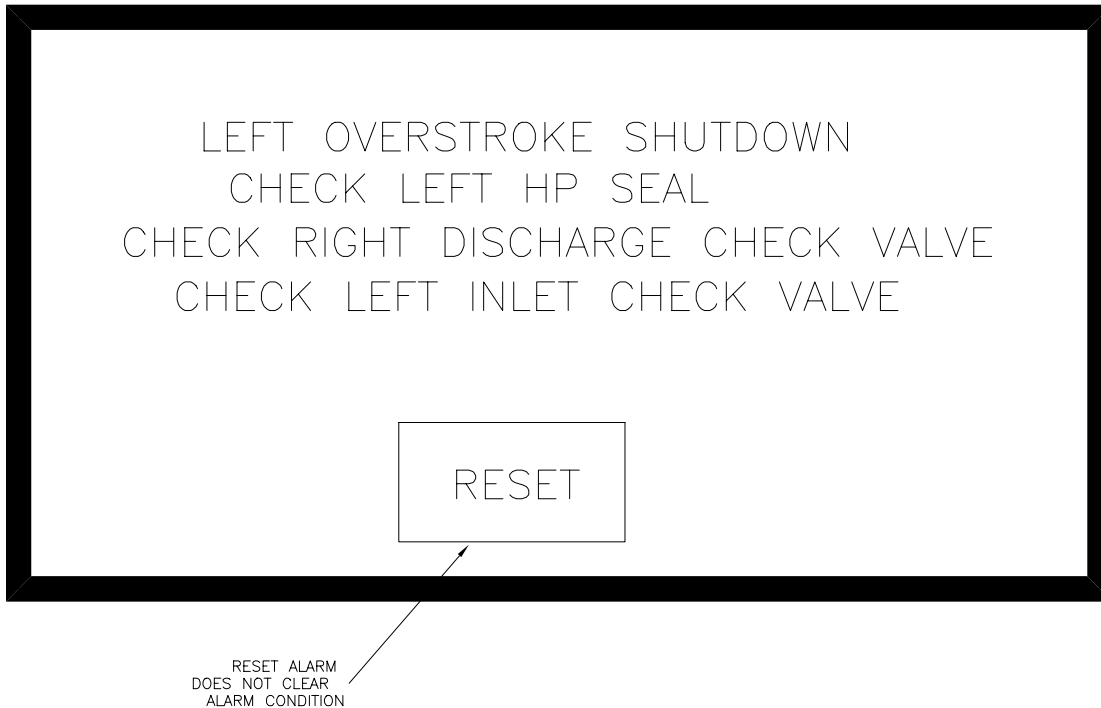
**NO PRESSURE CONTROL**

This screen will appear if the pressure control on main menu is selected and machine does not have PROPORTIONAL control.  
The machine cannot be stopped from this screen.



**LANGUAGE**

Scroll up and down for desired language and press **ENTER** to select FRENCH, GERMAN, ITALIAN, SWEDISH, or ENGLISH.



### **ALARM BANNER (EXAMPLE)**

When a shut-down condition occurs, an ALARM BANNER will appear hiding the current screen. The ALARM BANNER will display the type of shutdown and remedy to clear the alarm.

Pressing the reset button will clear the ALARM BANNER but does not clear the alarm. The banner will continue to appear until the alarm condition is cleared. Shutdowns will appear on ALARM HISTORY SCREEN.

The ALARM BANNER shutdowns are:

Motor Overload – check incoming voltage, check overload relay setting.

Motor Feedback Failure – Check motor starter relay.

Oil Level Low – Check the oil level gauge on the reservoir, check for leaks.

Oil Temp High – Check cooling water flow with a flow meter.

Low Booster Pressure – Check the booster pressure adjustment and check booster condition

Low Inlet Water Pressure - Check water supply pressure at maximum flow rate.

Long Idle Time Shutdown – May be selected for energy saving.

Overstroke Shutdown – Check plumbing for leaks, check HP orifice, check for leaking HP check valves.

Booster Temp High – Check incoming water temperature, check for long idle time.

Left Overstroke Shutdown - Check left high-pressure seal, check right discharge check valve and check left inlet check valve.

Right Overstroke Shutdown - Check right high-pressure seal, check left discharge check valve and check right inlet check valve.

T/W Overstroke Shutdown – Check plumbing for leaks, check for long idle time.

**Section 4 MAINTENANCE****4 Maintenance**

This section provides an overview of scheduled and preventive maintenance. In addition, maintenance of the five systems shown below is described in the respective sections following. Refer to the following sections for detailed information on the operator console and systems maintenance:

- Operator Console, Section 3
- Low Pressure Water, Section 6
- High Pressure Water, Section 7
- Electrical System, Section 8
- Hydraulic System, Section 9
- Recirculation System, Section 10

The following is an overview of the primary components and their location.

- **Hydraulic Pump System** – including electric motor, pump and hydraulic valve manifold block. The pump is a variable displacement, axial piston, pressure compensated type.
- **Oil Recirculation System** – including a fixed displacement gear pump, oil-to-water heat exchanger, hydraulic cartridge type oil filter, and related hydraulic hoses and fittings. The gear pump mounts to the back of the main hydraulic pump. This system is separate from the main hydraulic circuit and cleans and cools the hydraulic fluid whenever the main pump is running.
- **Booster Pump System** – includes a stainless steel positive displacement vane pump with pressure adjustment and high temperature switch, low pressure water filter, bypass relief valve, and associated water tubing and fittings. The booster pump is mounted to the back of the oil recirculation gear pump.
- **Intensifier System** – includes one or two high-pressure (HP) attenuators, one or two hydraulic intensifier assemblies, a HP dump valve and associated HP piping and fittings.

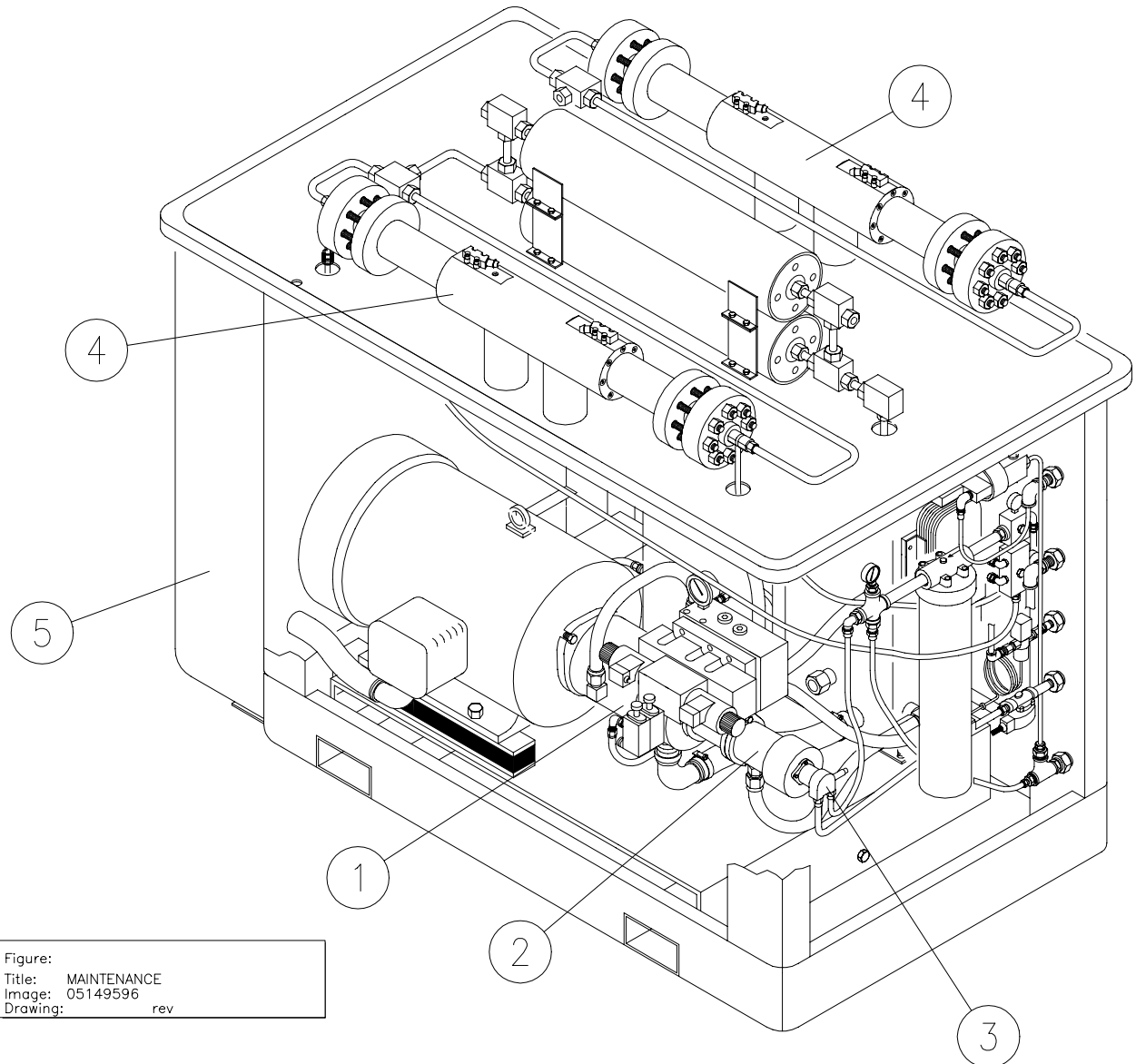


Figure:  
Title: MAINTENANCE  
Image: 05149596  
Drawing: rev

**Item Description**

- (1) Hydraulic Pump      (2) Recirculation Pump    (3) Booster Pump  
(4) Intensifier Assembly    (5) Control Panel

**Scheduled Maintenance**

Check Description	Item to be Checked	Major Component	As	Req'd	Per	Shift	Weekly	Monthl	3-	Month	6-	Month	Yearly <sup>1</sup>	Other
								y	Month	Month	Yearly <sup>1</sup>			
Fluid Level & Leak Checks	Oil Level	Hydraulic Oil Tank			<b>X</b>								<b>R</b>	
	Oil Sample	Hydraulic System					<b>F</b>							
	Hydraulic Cartridge Seals	Hydraulic Cylinder	<b>X</b>	<b>X</b>										
	Plunger Seals	HP Cylinder	<b>X</b>	<b>X</b>										
	Sealing Head	HP Cylinder	<b>X</b>	<b>X</b>										
Pressure & Flow Checks	Water Supply Pressure	Low Pressure Filter Assembly	<b>X</b>	<b>X</b>										
	Intensifier Discharge Pressure	HP Piping	<b>X</b>											
	Hydraulic Pump Pressure	Hydraulic Pump		<b>X</b>										
Temperature Checks	Plunger Seal	HP Cylinder	<b>X</b>	<b>X</b>										
	HP Check Valve	Port Sealing Head	<b>X</b>	<b>X</b>										
	Cooling Water Inlet/Outlet	Oil/Water Heat Exchanger	<b>X</b>				<b>F</b>							
Lubrication & Filter Checks	Motor Bearings Lube	Hydraulic Power Unit	<b>X</b>								<b>R</b>			
	Hydraulic Filter	Hydraulic Oil Tank	<b>X</b>	<b>X</b>							<b>R</b>			
Vibrations-Rotating Equip.	Electric Motor						<b>F</b>						<b>L</b>	
	Hydraulic Pump						<b>F</b>							
Splined Shaft Service	Motor/Pump Connection	Motor-Female Spline Piston Pump-Male Spline											<b>L<sub>2</sub></b>	
System Cleaning & Inspections	Hydraulic Pump						<b>F</b>							
	HP Tubing, Valves, & Fittings						<b>F</b>							
	Hydraulic Manifolds	Hydraulic Intensifier					<b>F</b>							
	Control Panel	Electrical Enclosure					<b>F</b>							
	Gage Calibration	Hydraulic Pump & HP Piping					<b>F</b>							
Control Lights			<b>X</b>											
Hydraulic Piston	Seal & Wear Rings	Intensifier Hydraulic Cylinder												<b>R<sub>3</sub></b>

**Key:**

- F:** Information
- X:** To be observed
- R:** To be replaced
- L:** To be lubricated

<sup>1</sup>Yearly or 4,000 hours, whichever comes first.

<sup>2</sup>See Section 9.3.3 concerning spline lubrication recommendations.

<sup>3</sup>Recommended Overhaul Interval: 10,000 hours

## 4.2 General Maintenance

Proper maintenance is important for reliable and consistent performance. Preventive maintenance reduces unscheduled downtime, and extends component life.



High-pressure water will cut almost anything it contacts. Any leaks must be repaired immediately to prevent damage or serious personal injury.

### Maintenance Guidelines

- Regular inspection of equipment is recommended.
- Keep equipment and surrounding areas clean.
- Check pressures, temperatures, and look for leaks.
- Make repairs immediately.
- Keep a repair log of all maintenance performed.

### Work Area

- Maintain a clean work area for repair and maintenance of the waterjet pump.
- Use a clean work bench in a dust and dirt free work area.
- Use lint-free material for wipe cloths.
- When blowing off parts with compressed air, use only clean, dry air. When flushing parts with a solvent, use only clean, filtered fluid.
- Always use original KMT Waterjet replacement parts, for consistent performance, reliability, safety, and to protect equipment warranty.

### Safety Recommendations

- Carefully read the Safety Guidelines in Section 1, of this manual.
- Perform all lockout and tagout procedures prior to working on the intensifier.
- Close all incoming supply valves and open all drain valves.
- Close the nozzle valves and manifold valves. When the power is shut off, the safety dump valve will open and bleed off high pressure water stored in the discharge piping.
- Provide suitable receptacles, pans, trays, etc. to catch and retain fluids to avoid a hazardous work area.
- DOUBLE CHECK to insure that all pressure is relieved from the system before proceeding.



**Binding and Interference**

When assembling close tolerance machine parts, use extreme care in aligning them for assembly. Do not force the parts together. If parts bind during assembly, separate them and try again until they are successfully mated.

**NOTE**

It should never be necessary to force an assembly together.

Plunger material is strong, but brittle. Avoid dropping, sharp blows, or heavy bending loads when working with these expensive parts.

Make sure all parts are clean, free of burrs, metal particles, dirt, dust, etc. Use High Purity Goop (I-R Part 10084440), when assembling any high pressure fitting.

After servicing any high-pressure components, flush the high pressure water system by operating the waterjet pump for a short period with the nozzle valve open and no orifice in place. Next, shut down the waterjet pump, install an orifice, and slowly increase the discharge water pressure in stages. Check all high pressure connections for leaks.

Unusual requirements should be referred to the Technical Services group at KMT Waterjet.

To contact the KMT Waterjet Spare Parts Department:

**USA:** KMT Waterjet Systems  
635 West 12<sup>th</sup> Street  
Baxter Springs, KS 66713 USA  
Phone: (620)856-2151  
Fax: (620)856-5050

**Europe:** KMT Waterjet Systems GmbH  
Wasserstrahl-Schneidetechnik  
Auf der Laukert 11  
D-61231 Bad Nauheim Germany  
Phone: 49-(0)6032-997-115  
Fax: 49-(0)6032-997-271

**Section 5 TROUBLESHOOTING****5.1 TROUBLESHOOTING - ELECTRICAL****5.1.1 Pump Will Not Start**

E-STOP Button Depressed	Pull out E-STOP button. Check all remote E-STOP pushbuttons. Push CONTROL POWER ON button – white light on CONTROL POWER ON button should illuminate.
Power Disconnected	Check that main power is present. Check that main power disconnect is ON.
Control Power Interrupted	Check power supply circuit protection (tripped breaker). Check power supply (24vdc) input and output.
Protection Fault Activated	Check <b>LOW OIL LEVEL</b> , <b>HIGH OIL TEMPERATURE</b> , <b>OVERSTROKE CONDITION</b> , or <b>HIGH TEMPERATURE BOOSTER PUMP</b> (bold letters indicate display messages)
Motor Overload Relay Tripped	Find reason for overload. Reset overload relay.
Inlet Water Valve Turned Off	Reset water valve by pressing <b>RESET</b> on Run menu.

**5.1.2 Console Display and Lights Fail to Illuminate**

E-STOP Button Depressed	Pull out E-STOP button. Check all remote E-STOP pushbuttons. Push CONTROL POWER ON button - white light on CONTROL POWER ON button should illuminate.
Main Power Disconnected	Check main power.
Door Unlatched (locked out)	Check that the door disconnect switch is properly engaged.
Control Power Not Available	Check power supply circuit protection (tripped breaker). Check power supply (24vdc) input and output.

**5.1.3 Pump Quit Running**

Unsafe Operation Detected	Check fault indication on operator's console and correct: <b>LOW OIL LEVEL</b> , <b>HIGH OIL TEMPERATURE</b> , <b>OVERSTROKE CONDITION</b> , or <b>HIGH TEMPERATURE BOOSTER PUMP</b> .
Electrical Power Interruption	Check power supply circuit protection (tripped breaker). Check power supply (24vdc) input and output. Check that main power is available.
Motor Overload Relay Tripped	Find reason for overload. Reset overload relay.

**5.1.4 No Control Power (24vdc)**

Circuit Breaker Tripped	Check input circuit breaker of power supply. Check output circuit breaker (24vdc) of power supply.
Power Supply Fault	Check power supply input and output voltages.
E-stop Button Depressed	Pull out E-stop button. Check all remote E-stop pushbuttons
Control Power On Button	Check for voltage through switch when button is pushed.
MCR Relay Not Energized	Check to see if coil is pulling in on the master control relay (MCR)
MCR Contact Set Failure	Check to see if contact sets on MCR are changing state when MCR is energized.

**5.1.5 Red Light, Message On Operator's Console**

Left Overstroke	Check left HP seal Check right discharge check valve Check left inlet check valve
Right Overstroke	Check right HP seal Check left discharge check valve Check right inlet check valve
T/W Overstroke	Check plumbing for leaks Check HP orifice Check HP dump valve
Booster Pump Pressure	Check booster adjustment Check booster condition
Inlet Water Pressure	Check water supply Check water filter
Oil Temp	Verify hydraulic oil tank temperature is above 62°C (144°F). Check output pressure of oil recirculation pump. Check cooling water flow to heat exchanger. Adjust water modulating valve.
Oil Level	Check hydraulic oil level on the reservoir sight glass. Check for and correct hydraulic oil leak, add oil to tank. If reservoir is full, check oil level switch.
Booster Pump Hot	Check if booster pump temperature is above 53°C (128°F). Check cutting water flow to/from booster pump. Check water bypass orifice. Check excessive time in deadheaded condition. Check booster pump temperature switch.

**5.2 TROUBLESHOOTING – HP WATER****5.2.1 HP Water Signal Abnormal Fluctuation**

Orifice Large/ Worn/ Damaged	Check that orifices in use do not exceed capacity of pump.  Check that orifices are in good working order. Verify that a jewel is not missing from the orifice mount.
Check Piping Leaks	Check system components for leaks including dump valve condition.
Check Valve Leakage	Inspect pump discharge HP check valves.  Inspect pump inlet low-pressure (LP) check valves.
Check Seal Leakage	Inspect plunger seals and sealing heads.
Hydraulic Control Malfunction	Check hydraulic valve operation.  Verify proper shifting of 4-way directional control valve.  Verify proper proximity switch operation.

**5.2.2 Hot Surfaces On HP Cylinder Components**

HP Discharge Check Leaking	Inspect check valve seat, poppet, spring, and spring guide condition and sealing head.
LP Inlet Check Valve Leaking	Inspect check valve poppet, spring, o-ring, poppet retaining screw, and sealing head.
Sealing Head or Plunger	Check plunger and sealing head for erosion scratches or mechanical damage and replace if necessary.
Damaged HP Cylinder	Check cylinder bore for damage. Polish if required.

**5.2.3 Oil or Water Leaks from HP Cylinder Weep Holes**

Oil Leak HP Intensifier	Check hydraulic cylinder O-ring and back-up ring for leakage.  Check proximity switch and spacer O-ring area for oil leakage.  Replace hydraulic seal (cartridge) and clean holes in hydraulic seal retaining flange.
-------------------------	---

Water Leak at HP Plunger Seal	<p>Replace seal assembly if leak exceeds one drop in 10 strokes.</p> <p>Check plunger surface and cylinder bore for build-up of seal material and polish off with 600 emery cloth, polishing the cylinder circumferential and plunger any direction</p> <p>Check Plunger surface and cylinder bore for scratches circumferential and longitudinal, if any are found, contact IR for possible rework and polishing.</p> <p>Check plunger for dull finish, contact IR for polishing.</p>
Water Leak at Sealing Head	<p>Check torque of sealing head screws.</p> <p>Check for scratches on inside diameter of HP cylinder. Polish if required with 600 emery cloth.</p> <p>Check for scratches in area of sealing head seal. Polish if required with 600 emery cloth.</p>

#### **5.2.4 HP Check Valve Leak**

If there are no visible HP water leaks, but there are higher temperatures on HP cylinder or sealing head, this indicates a HP or LP check valve leak. Use corrective action listed in **5.5** for both discharge and inlet checks:

#### **5.2.5 Normal Temperature, but Check Valve Problem**

Follow the instructions for HP check valve leak described in **5.5**.

#### **5.2.6 HP Cutting Water Too Low**

Low Hydraulic Pressure Setting	If in LO, turn pressure switch to HI. Check hydraulic pump pressure setting.
HP Water Filter Clogged	Clean or replace filter.
Worn HP Orifice	Replace orifice.

### **5.3 TROUBLESHOOTING – LP WATER**

#### **5.3.1 Low Booster Pump Pressure**

Booster pump pressure below 60 psi	<p>If at anytime the pump is running and the booster pump pressure falls below 60 psi, adjust the relief valve clockwise to increase the pressure above 60 psi.</p> <p>If the booster pump pressure cannot be adjusted above 60 psi, replace the booster pump.</p>
------------------------------------	--

---

Booster pump pressure above 125 psi	If at anytime the pump is running and the booster pump pressure is above 125 psi, the relief valve is opening up and sending water to the drain.
-------------------------------------	--

#### **5.4 TROUBLESHOOTING – HYDRAULIC**

##### **5.4.1 Hot Hydraulic Oil**

Restricted or No Cooling Flow	Check cooling water flow to and from heat exchanger. The water pressure differential across the heat exchanger, 2.75 bar (40 psi) minimum required for flow through the exchanger. Check operation and setting of water modulating valve.
Water Modulating Valve Setting	Check and adjust setting of water modulating valve. Compressing spring (clockwise) slows water flow and increases temp; reducing spring tension (counterclockwise) increases water flow and lowers oil temp.
Heat Exchanger Clogged	Flush heat exchanger, improve flow of cooling water or replace heat exchanger.
Recirculation Pump Hydraulic Pressure below 20psi	Replace hydraulic oil filter. If filter is new, replace recirculation pump.

##### **5.4.2 Hydraulic Pressure but no High Pressure Water Pressure**

Proximity switch failure	Verify left hand and right hand LED lights on DC alternately illuminate ON/OFF. If so, both proximity switches are properly functioning. If both the green and red LED lights are on at the same time on one proximity switch, replace the proximity switch. Flag the proximity switches one at a time, checking to see if it is sending a signal to the PLC.
I/O relay failure	Check if PLC output is shifting the I/O output relays and allowing power to go to the coils on the directional valve.
Directional valve coil failure	Check coils on the directional valve with a volt meter to verify good or bad
PLC failure	If there are inputs from the proximity switches but no outputs, contact IR service for a logic review and verification of PLC failure.

**5.5 SPECIAL PROCEDURE—HP WATER CHECK VALVE TROUBLESHOOTING****5.5.1 HP Check Valve Troubleshooting**

A leaking HP check valve is suspected if either HP cylinder or sealing head is unusually hot. Compare temperatures of opposing sealing heads or HP cylinders to decide location of hot spot. Note any heat in LP water.

The display will tell you which direction is pumping faster. If the leak is bad enough, the intensifier will shut down and the display will tell you where to look for the problem. For instance, if the display indicates a Left Stroke Warning or Shutdown, the probable problem is either at Left Inlet Valve or Right Discharge Valve. You can usually confirm which it is by feeling heat on one side or another.

NOTE: The bolted flange / metal-to-metal seal arrangement of the SL-IV Plus sealing head make the INLET check valves much more difficult to access for maintenance than the HP OUTLET check valves. Therefore one should generally rule out problems with the OUTLET HP check valves prior to disassembling the INLET check valves.

---

**Section 6 LOW PRESSURE WATER SYSTEM****6 Low Pressure Water System**

The SL-IV Waterjet Pump is equipped with two low pressure circuits:

- Cutting water supply for HP intensifier assembly.
- Cooling water supply for the oil-to-water heat exchanger.

The low pressure water system supplies the pump with the following:

- Water of sufficient cleanliness and pressure to the inlets of the two (2) HP cylinders.
- Cooling water of sufficient flow rate and low temperature to the oil-to-water heat exchanger.

**6.1 Oil Cooling Water Supply**

The oil cooling water supply circuit includes the water modulating valve. Refer to Figure 6.1 for a schematic diagram of the oil cooling water circuit.

See **“Recirculation System”** Section 10.2 for details on adjustment of water modulating valve (2).

The maximum flow rate of the cooling water is specified in Section 11 **“Specifications”** under “Hydraulic Oil Cooling.” A minimum inlet pressure of 40 psig and 70° Fahrenheit maximum inlet temperature is required to maintain oil temperature under extreme operating conditions.

**6.2 Cutting Water Supply**

Refer to Figure 6.2 for a schematic diagram of the LP cutting The cutting water supply circuit. Refer to the Parts Lists (Section 12) for detailed component information on the LP cutting water circuit. The LP water supply includes the following:

- Low pressure water filter
- Inlet water shutoff valve (solenoid operated)
- Booster pump driven by main motor
- Several pressure gages and switches, and a temperature switch

Most components in the LP cutting water supply circuit are stainless steel or neoprene or other plastic. A stainless steel inlet solenoid shutoff valve (11) is available on request. Pressure and temperature switches are connected to a PLC located in the electrical enclosure. The PLC which monitors out-of-tolerance conditions, including the following:

- Low water pressure at the booster pump inlet (switch (17), T and Q series).
- Low water pressure at the intensifier inlet (switch (16), T and Q series).



- High temperature at the booster pump outlet (switch (2)).
- If the motor does not run for 2 minutes, the solenoid valve (11) will shut off. To re-open the valve, press F6.

Note that pressure gages for T series KMT Waterjet pumps are installed in a frame leg for easy access. Pressure gages provide a qualitative measure of LP water system performance, while pressure switches on the T&Q series pumps provide automatic shutdown protection against out of tolerance conditions.

### **6.2.1 Normal Operating Condition**

During normal operation, the low pressure water system maintains the following conditions:

- Filter pressure drop (gage reading 4 minus 6) not more than 1 bar (15 psi)
- Booster pump inlet pressure greater than 2 bar (30 psi), (T and Q series).
- Booster pump discharge pressure gage reading 8.0-8.3 bar (115-120 psi)
- Intensifier LP cutting water supply pressure greater than 4 bar (60 psi), (T and Q series).
- Water at booster pump outlet maintained at less than 128 deg-F.

#### **NOTE**

While the intensifier assembly reverses direction, the booster pressure will fluctuate slightly above and below the normal setting. Pressure fluctuation greater than 2 bar (30 psi) may indicate inadequate water supply to unit, or poor booster pump performance.

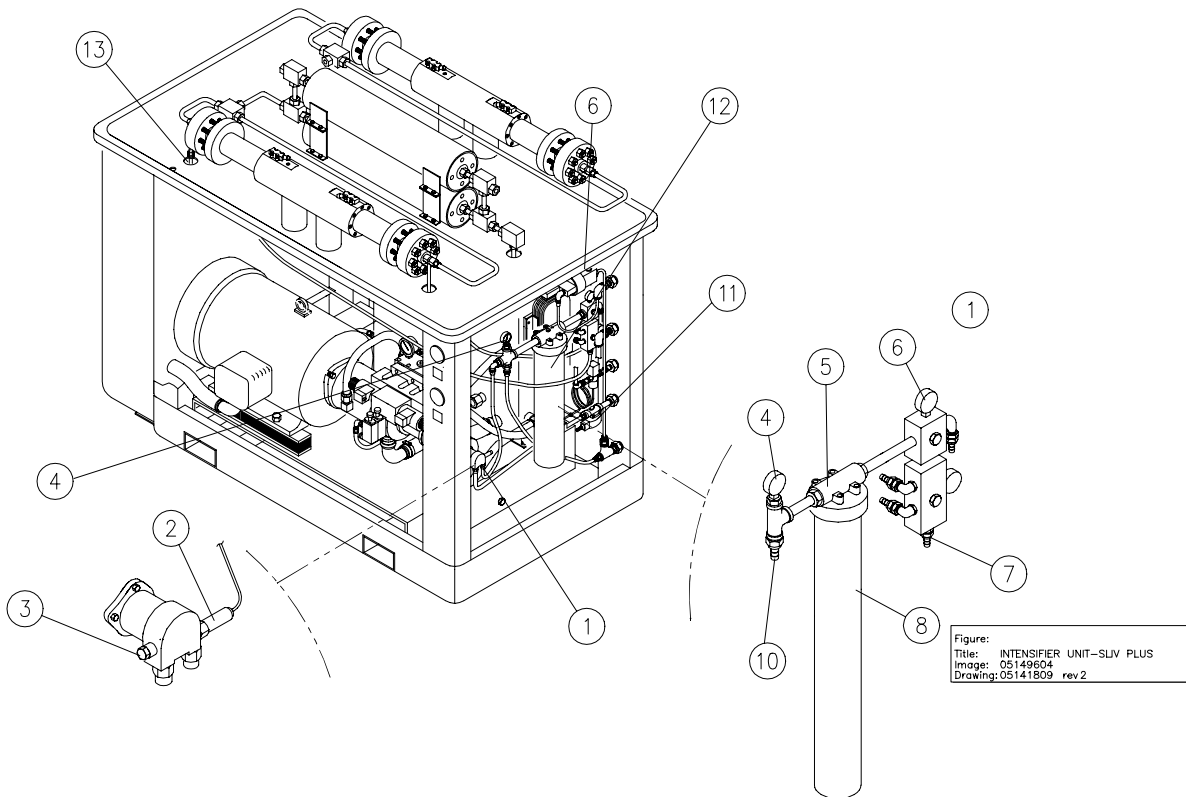
### **6.2.2 Operation**

The cutting water enters the pump through port "B". When the CONTROL POWER-- ON button on the operator control panel is activated, solenoid valve (11) opens allowing water to flow through filter assembly (5), then to the inlet of the booster pump (1). The booster pump increases cutting water supply pressure to 8 bar (120 psi) to assure proper supply to both intensifier inlet check valves (13). Pressurized water from the booster pump is supplied to manifold (18). From this manifold, cutting water is routed to the inlet check valves (13) of the intensifier. Note that if a redundant intensifier is installed, the inlet cutting water must be manually disconnected from the inactive intensifier, then connected to the inlet check valves of the inactive intensifier.

NOTE

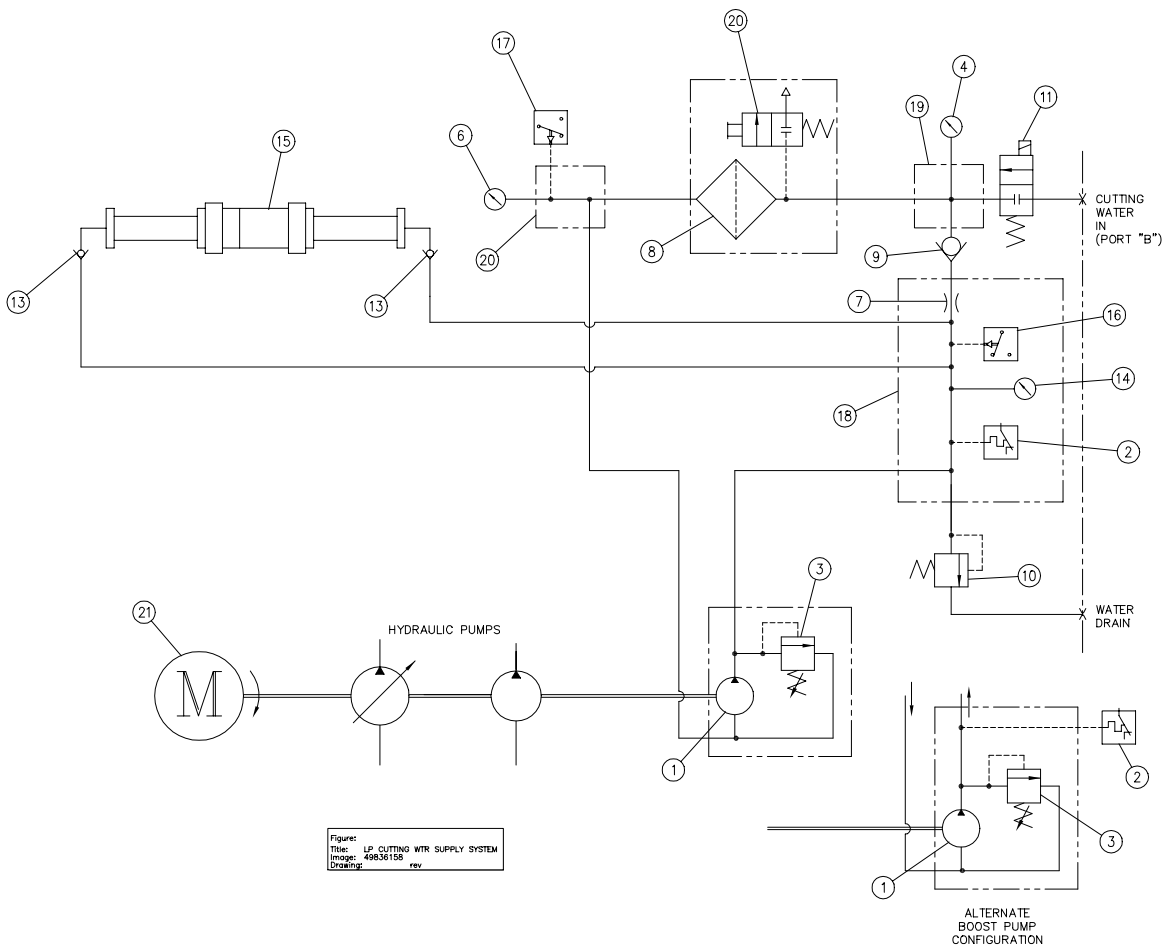
The booster pump (1) is factory set to deliver 8 bar (120 psi) with an inlet pressure at port “B” of 4 bar (58 psi). The pump may require adjustment if local inlet pressure is different, because discharge pressure depends on inlet pressure. Inlet pressure is affected by filter condition, as well as local water supply conditions.

The LP water filter (5) is located ahead of the booster pump to protect the pump as well as the intensifier and other HP components. The filter gages (4 and 6) indicate the condition of the filter. A difference of 1 bar (15 psi) indicates a dirty filter element that should be replaced.

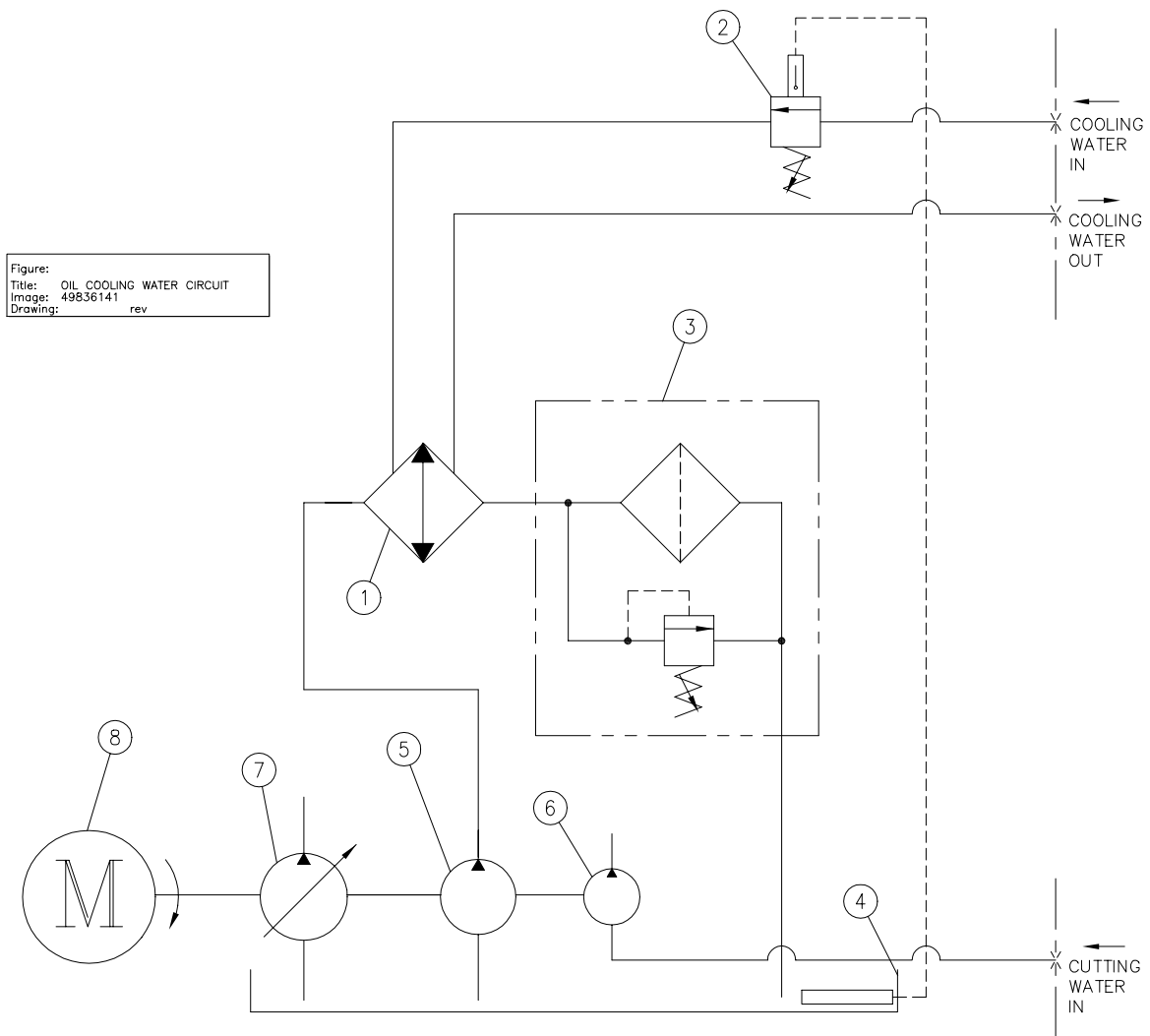


**Item Description**

1	Booster Pump	8	Filter Element	15	Intensifier
2	Temperature Sensor	9	Check Valve	19	Manifold
3	Pressure Control Valve	10	Relief Valve	20	Air Bleed Valve
4	Pressure Gage	11	Inlet Solenoid Valve	21	Electric Motor
5	Filter Head	12	Filter Housing		
6	Pressure Gage	13	Intens. Inlet check Valve (2 ea)		
7	Orifice	14	Pressure Gage		



**Figure 6.2 LP Cutting Water Supply Circuit**



**Figure 6.3 LP Water Cooling Circuit**

**Item Description**

- 1 Water/Oil Heat Exchanger
- 2 Water Modulating Valve
- 3 Hydraulic Filter
- 4 Hydraulic Reservoir
- 5 Recirculating Hydraulic Pump
- 6 Water Booster Pump
- 7 Main Hydraulic Pump
- 8 Electric Motor

**6.2.3 Booster Pump**

The LP cutting water circuit (refer to Figure 6.2) incorporates several features relating to the booster pump:

- a) Booster pump overpressure protection—relief valve (3) is built into the booster pump body and is intended to prevent excessive pump outlet pressure. This relief valve typically operates when the intensifier is dead-headed.
- b) If either check valve (13) leaks, the circuit and booster pump could be subjected to HP water from the intensifier. Inline relief valve (10)—provides circuit and booster pump protection in the event of a leaking check valve (13) at the intensifier.
- c) High cutting water supply pressure could result if circulation were blocked as with dead headed HP water flow. Orifice (7) and check valve (9) allow a minimal amount of LP water to circulate through the filter back to the pump inlet, thereby reducing the likelihood of overheating the cutting water.
- d) If temperature of cutting water at the booster pump outlet is too high, then temperature switch (2) activates an automatic shutdown circuit in the PLC that stops the main electric motor (pumps stop rotating). Note that temperature switch (2) is located on manifold (18) for Q and later T series KMT Waterjet pumps, but is located on the booster pump for earlier series pumps (see Detail A, Figure 6.2)
- e) If water pressure to the booster pump inlet is too low, then the pump might be starved, resulting in pump damage. Pressure switch (17) activates an automatic shutdown circuit in the PLC when pressure drops below the switch setting. Logic in the PLC ignores momentary low pressure signals that might result in erroneous shutdown commands. Typical conditions likely to cause low booster pump inlet pressure are clogged LP filter or problems with the customer-supplied cutting water pressure.

**6.2.4 Low Pressure System Protection**

The booster pump pressure relief valve (3) is adjusted by turning with a flat blade screwdriver. Turn clockwise to increase pressure or counterclockwise to decrease pressure. Some booster pumps have an exposed adjustment screw, while on others the adjustment screw is accessed by removing an acorn nut.

Control #	Pressure Adjustment		Pressure Settings Bar (psi)	
	Increase	Decrease	Maximum	Minimum
Booster Relief Valve (3)	Clockwise	Counter-clockwise	8.3 (120)	8.0 (115)
LP Manif. Relief Valve (10)	Fixed	Fixed	9.0 (130)	8.6 (125)

The cutting water supply circuit is automatically shut off after the motor has been off for 2 minutes. To reset the water supply valve, press F6. Automatic shutoff of the cutting water supply prevents unnecessary water spillage in the event of an external leak that triggers an automatic shutdown on an unattended KMT Waterjet pump.

**6.3 Maintenance Overview**

In order to maintain necessary fluid pressure for the pump and to keep the water clean for proper operation it is necessary to replace the water filter and/or adjust the booster pump. The guidelines for servicing these parts are described below.

**6.3.1 Water Filter Service**

Replace filter elements when there is a 1 bar (15 psi) pressure differential between gages (4) and (6):

**Components:** Bleed Valve  
Element  
Head  
Housing

**Recommended Tools:** Supplied filter thread/unthread tool  
(to turn housing)  
Container (to capture some water spill)  
Rags

**Parts:** Elements for water: 10 micron (quantity 2)  
Polymer mixture: 40 micron (quantity 2)

**Water Filter Element Replacement Procedure**

1. Turn off cutting water supply
2. Press bleed valve to relieve trapped pressure
3. Unscrew housing from head. Remove element.
4. Install new elements in housing. Screw housing into head.
5. Open cutting water supply.
6. Press bleed valve to remove trapped air.
7. Start waterjet pump. Verify satisfactory pressure readings.

**6.3.2 Booster Pump**

If booster pressure, as read on the booster pump discharge pressure gage (14) is less than 8.0-8.3 bar (115-120 psi), the booster pump needs to be adjusted.

**Components:** (1) Booster pump  
(3) Pressure control knob

**Recommended Tools:** Flat screwdriver (To turn pressure control knob)  
Container (To capture some water spill)  
Rags

**Parts:** None required

**Booster Pump Adjustment Procedure**

1. Turn on cutting water supply
2. Start waterjet pump and observe booster discharge pressure
3. Stop waterjet pump and press E-Stop button.
4. Remove acorn nut from the side of the booster pump and turn screw clockwise to increase pressure or counter-clockwise to decrease pressure.
5. Replace acorn nut, restart waterjet pump and observe booster discharge pressure.
6. Repeat steps 4 and 5 if necessary.

**Section 7 HIGH PRESSURE WATER**

**7 High Pressure Water**

The high pressure (HP) water system takes the relatively low pressure water inlet to up to maximum pressure in excess of 3,400 bar (50,000 psi) supplying orifice diameters appropriate to the waterjet pump's operating power (See Specifications, Section 11).

**7.1 Components**

The HP water components include the hydraulic intensifier, HP attenuator(s), HP dump valve, HP pressure indicator (optional), and HP piping. Maintenance on the intensifier is discussed in detail in this section. In addition to HP components and assemblies, the hydraulic cylinder features of the intensifier are discussed in this section.

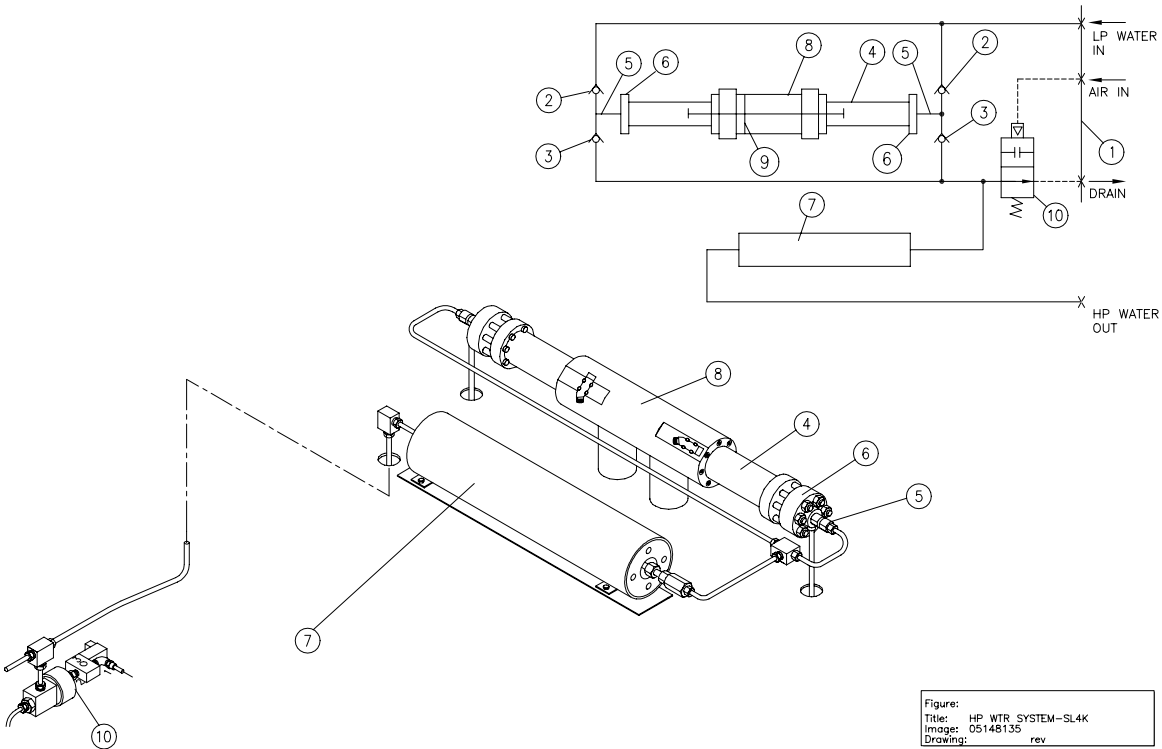


Figure: HP\_WTR\_SYSTEM-SL4K  
Title: 05148135  
Drawing: rev

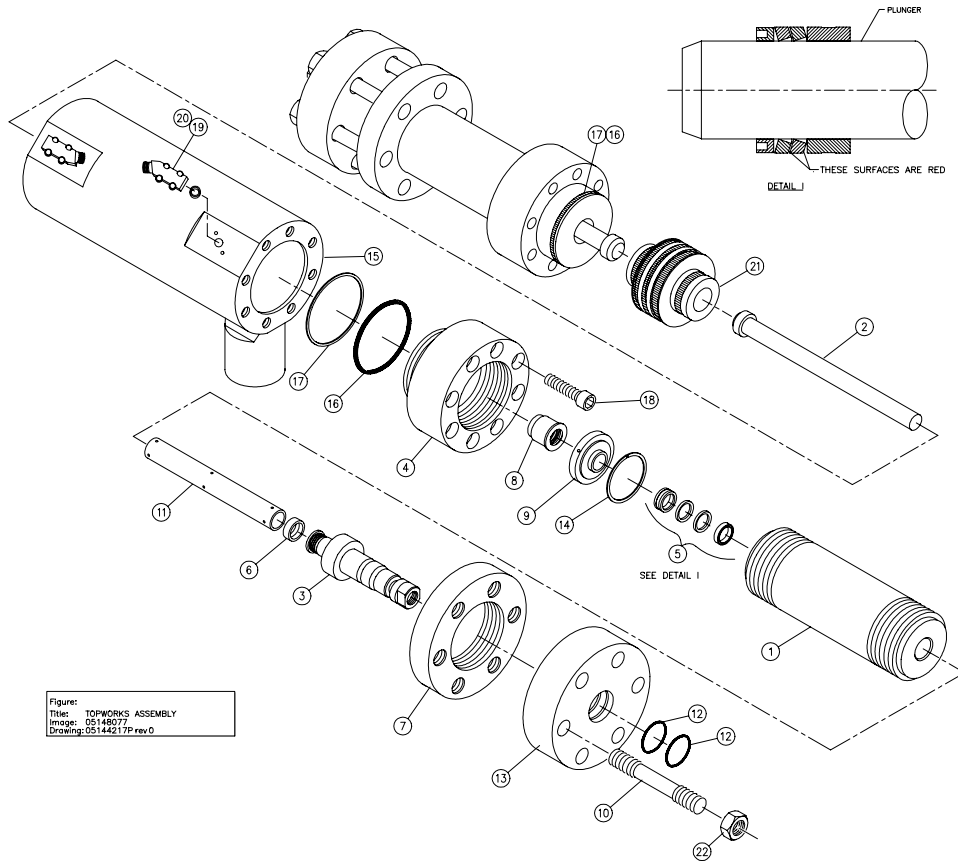
**Item Description**

- |                          |                     |                       |
|--------------------------|---------------------|-----------------------|
| 1. Bulkhead Fittings     | 4. HP Cylinder      | 8. Hydraulic Cylinder |
| 2. Inlet Check Valve     | 5. Sealing Head     | 9. Hydraulic Piston   |
| 3. Discharge Check Valve | 6. Sealing Head Nut | 10. HP Dump Valve     |
|                          | 7. HP Attenuator    |                       |



**7.2 Intensifier Disassembly and Reassembly**

Detailed instructions are provided on disassembly and reassembly of the hydraulic intensifier, including HP seal maintenance. A discussion of detailed inspection and repair for individual HP components and subassemblies is also provided. The HP attenuator is discussed but no disassembly procedures are included. Note that HP attenuators are not considered to be serviceable by the customer.



**Item Description**

(1) HP Cylinder	(2) Plunger	(3) Sealing Head
(4) Hydraulic Cylinder Head	(5) HP Seal	(6) Ring
(7) Ring Flange	(8) Hydr Seal Cartridge	(9) Retaining Flange
(10) Stud Bolt	(11) Cylinder Liner	(12) O-ring
(13) End Flange	(14) Retainer Ring	(15) Hydraulic Cylinder
(16) Back-up Ring	(17) O-ring	(18) Cap Screw
(19) Proximity Switch	(20) Cap Screw	(21) Piston Assembly
(22) Hex Nut		

Standard HP gland nut hex sizes for HP piping is as follows:

- 3/8" HP fittings: 13/16" (open end) wrench.
- 9/16" HP fittings: 30mm (1-3/13") wrench.
- Tie bolts nuts: 1-7/16" socket (7/8" and 1-1/8" plunger models)

**7.2.1 HP & LP Water Piping  
Disconnect from/Reconnect to Waterjet Pump****WARNING**

Before performing maintenance on the waterjet pump observe electrical LOCK OUT/TAG OUT procedures.

1. Loosen and remove HP Piping attached to the discharge HP check valve. Move tubing to clear work area.
2. For servicing the discharge HP check valve on the intensifier assembly, refer to section 7.3.1. "Discharge HP Check Valve". Note that the sealing head can be removed with the discharge HP check valve attached.
3. Disconnect LP water at end flange. Note that to service the sealing head, including the inlet HP check valve, the tie bolts must be loosened allowing removal of the end flange.
4. With the HP piping and the LP cutting water plumbing disconnected, the following operations can be performed:
  - HP cylinder can be removed from hydraulic cylinder head
  - HP plunger seal can be serviced

After the pump has been reassembled, then the HP water piping and LP water disconnect are reinstalled as follows:

5. Slide inlet water collar over sealing head until it rests against the head nut. Connect LP inlet water quick disconnect to collar.
6. Install the HP water piping to the intensifier. Check HP fittings for proper collar position (1 to 1-1/2 threads exposed) and for adequate thread lubricant (High Purity Goop). Turn on cutting water supply and check for low-pressure leaks.

**CAUTION**

Check that all proximity switches are properly installed and secured prior to starting the motor. Failure to tighten proximity switch hold down screws (2 each per proximity switch) will result in hydraulic oil spraying in general directions.

7. Start the waterjet pump. Operate at low pressure (without a cutting orifice) to flush the HP passages, then operate at high pressure with orifice installed to check for leaks.

**7.2.2 HP Cylinder “Jug” (HP Cyl., Sealing Head, Flanges, & Studs)—  
Disassembly / Re-assembly**

**NOTE**—KMT Waterjet recommends removing the HP cylinder/ sealing head/ flanges AS AN ASSEMBLY for servicing the plunger HP seals, plunger, hydraulic seals, etc. KMT Waterjet DOES NOT recommend loosening stud nuts except to service the sealing head inlet HP check valve, cone seat, etc. Refer to Table 7.1 for recommended disassembly / re-assembly practices.

Due to the weight (approx. 70 lbs) of the HP cylinder jug, adequate support should be provided to prevent damage to the plunger or seals during disassembly/ re-assembly. See Figure 7.2 for suggested special tools to support the HP cylinder jug for this procedure.

**HP Cylinder Jug Removal**

1. Prior to removing electrical power from the pump, extend plunger on end to be serviced. Remove connector from proximity switch on end of hydraulic cylinder closest to HP cylinder jug to be removed. Start the pump in LOW pressure mode, allow approximately 20 seconds for appropriate startup and cycling of intensifier to extend and stop toward the disconnected proximity switch. Shut off the pump, shut off LP water supply, observe LOCK-OUT/ TAG-OUT safety rules.



Before performing maintenance on the waterjet pump observe electrical LOCK OUT/TAG OUT procedures.

2. Disconnect HP and LP piping / hoses per paragraph 7.2.1 above.
3. With support cradle tool located under HP cylinder jug, unthread and remove jug from plunger and hydraulic cylinder head.

**NOTE:** several methods for rotating the HP cylinder jug are available. The cylinder wrench is available, or the jug can be rotated by hand with the help of the studs and stud nuts. A slight lift force applied to the HP gland nut of the outlet HP check valve can help ease the effort of rotating the HP cylinder jug.

**HP Cylinder Jug Re-Installation**

1. Verify that HP cylinder threads are adequately lubed with High Purity Goop and that the threads have been sanded/ dressed if galling was encountered during HP cylinder jug removal.
2. Verify that the HP plunger seals, packing follower, and plastic cylinder liner tube are correctly installed. Align HP cylinder jug with plunger using cradle tool to support weight and provide approximate alignment. Carefully push/ lift jug into place until threads are ready to engage.

3. While lifting upward on the outlet HP check valve gland nut, push upward on a stud nut, rotating the jug CW, while pushing inboard and upward until thread engagement is accomplished. Continue to thread HP cylinder into hydraulic cylinder head until hand tight.
4. Re-connect HP and LP piping / hoses per paragraph 7.2.1 above.

**CAUTION**

Check that all proximity switches are properly installed and secured prior to starting the motor. Failure to tighten proximity switch hold down screws (2 each per proximity switch) will result in hydraulic oil spraying in general directions.

5. Restart the pump, first operating in LOW pressure mode to flush out air in HP components and also to check for obvious leaks. Switch to HIGH pressure after 5-10 minutes of LOW pressure operation, watching for obvious leaks. Be ready to shut off the pump if leaks appear. Remedy leaks then repeat start procedure, moving from LOW pressure to HIGH pressure soon after intensifier starts pumping water (no further need to flush air from lines).

### **7.2.3 Stud Nuts and End Flange, Sealing Head—Disassembly / Re-assembly**

**NOTE**—KMT Waterjet recommends removing the HP cylinder/ sealing head/ flanges AS AN ASSEMBLY for servicing the plunger HP seals, plunger, hydraulic seals, etc. KMT Waterjet DOES NOT recommend loosening stud nuts except to service the sealing head inlet HP check valve, cone seat, etc. Refer to Table 7.1 for recommended disassembly / re-assembly practices.

#### **End Flange and Sealing Head Removal**

1. Prior to removing electrical power from the pump, extend plunger at intensifier end to be serviced. Remove connector from proximity switch on end of hydraulic cylinder closest to HP cylinder jug to be removed. Start the pump in LOW pressure mode, allow approximately 20 seconds for appropriate startup and cycling of intensifier to extend and stop toward the disconnected proximity switch. Shut off the pump, shut off LP water supply, observe LOCK-OUT/ TAG-OUT safety rules.

**CAUTION**

Before performing maintenance on the waterjet pump observe electrical LOCK OUT/TAG OUT procedures.

2. Disconnect HP and LP piping / hoses per paragraph 7.2.1 above.
3. Loosen stud nuts, then remove nuts.
4. Remove end flange. Note that sealing head may be removed with end flange.

5. Remove sealing head. Note that a white plastic ring used to position the sealing head relative to the HP cylinder bore may not have been removed with the sealing head. This ring should be removed prior to re-installing a sealing head to avoid pushing the ring further into the HP cylinder bore. Note that a fully- assembled spare sealing head greatly reduces pump downtime.

**Re-Assemble Sealing Head and End Flange to HP Cylinder**

1. Verify that sealing head cone surface is smooth. Perform any necessary maintenance on inlet check valve. (Refer to paragraph 7.3.2) Verify that a white plastic alignment ring is installed on the 'nose' of the sealing head. Verify O-rings (2 ea) properly installed in ID grooves of end flange. Check HP cylinder bore to verify presence of plastic tubular cylinder liner and to verify that no white plastic alignment ring remains in end of HP cylinder bore. Feel sealing edge of HP cylinder bore to verify that no unusual blemishes are present that might hinder proper cone ring seal.
2. Install sealing head into end flange. Install sealing head and end flange over stud bolts and into cylinder bore. Note that end flange should be oriented with the LP water fitting oriented near the 9 o'clock or 3 o'clock positions for ease of making the LP water connection.
3. Thread nuts onto studs to hand-tightness. Apply molygrease to stud threads (Table 7-2 item 3). Verify end flange and ring flange are parallel to within 0.070-inch.
4. Tighten stud nuts (using a torque wrench) in a crossing pattern in several stages to reach maximum torque. See Table 7.1 for suggested nut tightening sequence. Verify flange parallelism at completion of tightening sequence.
5. Re-connect HP and LP piping / hoses per paragraph 7.2.1 above.

**CAUTION**

Verify that proximity switches (2 ea) are properly installed. Failure to tighten proximity switch hold down screws will result in hydraulic oil spraying in general directions.

6. Restart the pump, first operating in LOW pressure mode to flush out air in HP components and also to check for obvious leaks. Switch to HIGH pressure after 5-10 minutes of LOW pressure operation, watching for obvious leaks. Be ready to shut off the pump if leaks appear. Remedy leaks then repeat start procedure, moving from LOW pressure to HIGH pressure soon after intensifier starts pumping water (no further need to flush air from lines).

**7.2.4 HP Plunger Seal Service-- Disassembly / Re-assembly**

1. Remove HP and LP piping/ hose, then remove HP cylinder jug following procedure 7.2.2, above.
2. Thread HP plug and gland fitting (items C1 & C2, Special Tools, Table 7.3) into HP check valve gland nut. Hand tight is sufficient.
3. Stand HP cylinder jug upright with stud nuts resting on platform of wood blocks or stand tool item (B), Table 7.3.

**DANGER:** HP cylinder jug is heavy and if it is stood on top pan of the pump, will present a falling object hazard. Take care to properly support jug so that it will not fall.

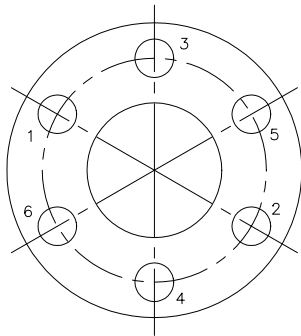
4. Fill HP cylinder bore with water, then fit a used plunger or seal removal tool (item (E), Table 7.3) into bronze packing follower. Note that wrapping a shop rag around the plunger at the packing follower avoids splash-back. Use a dead blow hammer to strike the button end of the plunger as though attempting to drive the plunger into the HP cylinder. This technique should 'hydraulic' the HP seal components upward onto the plunger/ tool shaft and out of the HP cylinder.
5. Slip plastic liner tube from bore of HP cylinder, inspect for possible heat or wear damage or for possible debris. Feel ID of HP cylinder for approximately 1-inch into bore. Sand any obvious ridges or grooves with 600-grit wet/dry sandpaper. Note that grooves or ridges are typically caused by seal debris buildup rather than by marks in ID wall of HP cylinder.
6. Inspect plunger surface for flaws. Rotate plunger 360- degrees by hand while viewing light reflection on plunger surface to note any dullness, streaks, pits or other defects. Run fingernail perpendicular to direction of suspected surface flaws to gage severity of defects. Depending on seal life achieved with removed HP plunger seal, make judgment regarding whether to replace plunger. Refer to Paragraph 7.2.6 for procedure regarding plunger removal/ installation.
7. Lightly coat seal components with FML grease refer to Table 7-2 item 1 prior to installing seal parts on plunger. Install new HP plunger seal assembly onto plunger, refer to Figure, Detail I, (paragraph 7.2) for proper seal component orientation. Note that steel spring inside U-cup (if so equipped) can be easily distorted. Verify that U-cup spring, lips and cavity appear uniform prior to installation.

**NOTE:** Bronze packing follower intended to fit tightly on plunger. If follower is too tight to slip onto plunger, try heating follower in hot water. Then attempt to slip follower over plunger.

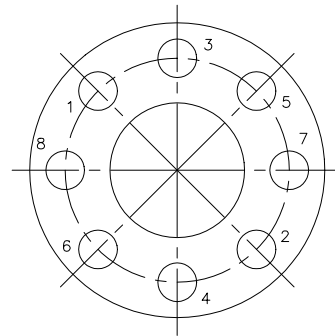
8. Slip plastic cylinder liner tube over plunger.
9. Install HP cylinder jug to hydraulic cylinder head per paragraph 7.2.2.

**TABLE 7.1 FLANGE NUT TORQUE SPECIFICATIONS**

Plunger Diameter	7/8" Diameter Plunger (SL-IV Plus)		1-1/8" Diameter Plunger (SL-IV 100S)	
No. of Studs, Tightening Sequence	6 each (Fig A)		8 each (Fig B)	
Units	N-m	Ft-Lb.	N-m	Ft-Lb.
1 <sup>st</sup> Stage	Hand Tight	Hand Tight	Hand Tight	Hand Tight
2 <sup>nd</sup> Stage	135	100	135	100
3 <sup>rd</sup> Stage	200	150	200	150
4 <sup>th</sup> Stage	257-285	190-210	257-285	190-210
Max Out-of Parallel	1.8mm	0.070"	1.8mm	0.070"
Socket Wrench Size	1-7/16"		1-7/16"	



6-BOLT CROSSING PATTERN  
FIG. A



8-BOLT CROSSING PATTERN  
FIG. B

**Table 7-2. Lube Specs KMT Intensifier Pumps**

Item No.	IR P/N	Description	Applications
1	10087385	FML Grease, White	Lube Parts, HP Cylinder
2	10084440	High Purity Goop-SS Thds	SS Threads
3	49832199	Moly Disulfide Grease	Non-SS Thds

**Table 7.2 HP INTENSIFIER SERVICE TEARDOWN SEQUENCE**

		Disassemble/Re-assemble						
Intensifier Component Maintenance	Related Component Assembly	HP Piping	LP Water Plumbing	HP Cylinder Sealing Head, Flanges & Studs [1]	Stud Nuts & End Flange	Retainer Flanges & Hydraulic Cartridge	Hydraulic Cylinder Head	
Ref Part No.→	--	7.2.1	7.2.1	7.2.2	7.2.3	7.2.5	7.2.6	
1	Outlet HP Check Valve	Yes	No	No	No	No	No	
2	Inlet HP Check Valve	Yes	Yes	No	Yes	No	No	
3	HP Plunger Seal	Yes	Yes	Yes	No	No	No	
4	Hydraulic Seal Cartridge-Plunger	Yes	Yes	Yes	No	Yes	No	
5	Sealing Head Cone Seal	Yes	Yes	No	Yes	No	No	
6	HP Cylinder	Yes	Yes	No	Yes	No	No	
7	Plunger	Yes	Yes	Yes	No	Yes	No	
8	Hydraulic Piston	Yes	Yes	Yes	No	No	Yes	

Note [1]:Remove/installed as a unit (HP Cylinder “Jug”)



**7.2.5 Plunger and Hydraulic Cartridge Removal and Installation**

1. Remove HP and LP piping/ hose, then remove HP cylinder jug following procedure 7.2.2 above.
2. Remove the proximity switch on the intensifier side nearest HP cylinder to be serviced. This procedure will allow hydraulic oil to drain to tank and will minimize oil spillage. Draining takes about 5 minutes. Remove cartridge retainer flange from hydraulic cylinder head by first removing retaining ring using a flat blade screwdriver. Wipe and clean surfaces, weep holes, and grooves in cartridge retainer flange. Check retainer flange for cracks.
3. Using cartridge/plunger removal tool threaded to the seal cartridge, pull the cartridge outward over the plunger. Seals in the hydraulic cartridge can be removed and replaced, or the entire cartridge can be replaced. It is recommended that at least one spare cartridge be kept on hand, ready to install. See Section 7.3.6 for servicing hydraulic seal cartridge.
4. With the cartridge removed, the plunger can be removed with the cylinder head in place. Slide the cartridge/plunger removal tool over the plunger, with the hex-shaped smaller end toward the plunger button. Note orientation of plunger button retainer pins (6 each), then align hex flats of tool with pins. Force tool by hand under pins, then rotate tool slightly to cause pins to retract enough to release plunger. Plunger can now be extracted from hydraulic piston. See Section 7.3.5 for servicing the plunger.
5. To install new plunger, slip cartridge/plunger removal tool over plunger, hex end toward plunger button, to help center plunger in cylinder head. Position plunger in mating pocket of piston, then force into place by hand. Using a flashlight, verify that all 6 pins are equally extended to grip plunger button.
6. Lubricate exposed surfaces of seals in hydraulic seal cartridge with food grade grease and slide cartridge over plunger into cylinder head cavity.
7. Thoroughly clean cartridge retainer flange, including cross-drilled weep holes. Install flange and internal retaining ring, making sure that the retaining ring seats fully inside its groove. Note that hydraulic cartridge O-rings may take up clearance. To install retaining ring, first tap lightly on retainer flange using plunger removal tool. This will compress cartridge O-rings enough to get retaining ring started in groove. Push on outer edge of retainer flange with a flat bladed screwdriver while working one end of retaining ring into groove. Retainer flange should tilt or tip enough to allow retaining ring to move into its groove. Continue working ring into groove while tilting flange until retaining ring is fully installed.
8. Install HP cylinder jug to hydraulic cylinder head per paragraph 7.2.2.

**7.2.6 Hydraulic Cylinder Head and Piston—Removal / Re-Installation**

1. Remove HP and LP piping/ hose, then remove HP cylinder jug following procedure 7.2.2 above.
2. Remove proximity switch (19) at cylinder end to be serviced. Loosen the remaining proximity switch to drain hydraulic oil in tank.
3. Remove hydraulic seal cartridge (8). Seal cartridge (8) removal is recommended to avoid sliding cylinder head (4) over plunger (2). The plunger need not be removed at this stage.
4. Loosen and remove 8 each socket head cap screws (18) retaining cylinder head (4) to hydraulic cylinder (15). The cylinder head and its O-ring (16) can be removed. The proximity switch mounting flats provide a small lip for loosening the cylinder head.
5. To remove the hydraulic piston (21) from the hydraulic cylinder (15), remove one cylinder head, remove the proximity switch toward that end. On the opposite end remove the HP cylinder and end cap, then remove the retainer flange and hydraulic cartridge. The piston must be driven from the cylinder bore due to the seal squeeze and friction. Use a plastic head hammer to avoid striking the assembly with a metal object. See Section 7.3.7 for servicing the hydraulic piston.
6. Reassemble the hydraulic cylinder by reversing the above steps.  
Tighten 12M socket head capscrews (8 per cylinder head) in a crossing pattern to 190-210 N-m (140- 155 ft-lbs).

**CAUTION**--Remember to install and tighten proximity switches. Failure to do so will result in considerable spraying of hydraulic oil.

7. Install HP cylinder jug to hydraulic cylinder head per paragraph 7.2.2.

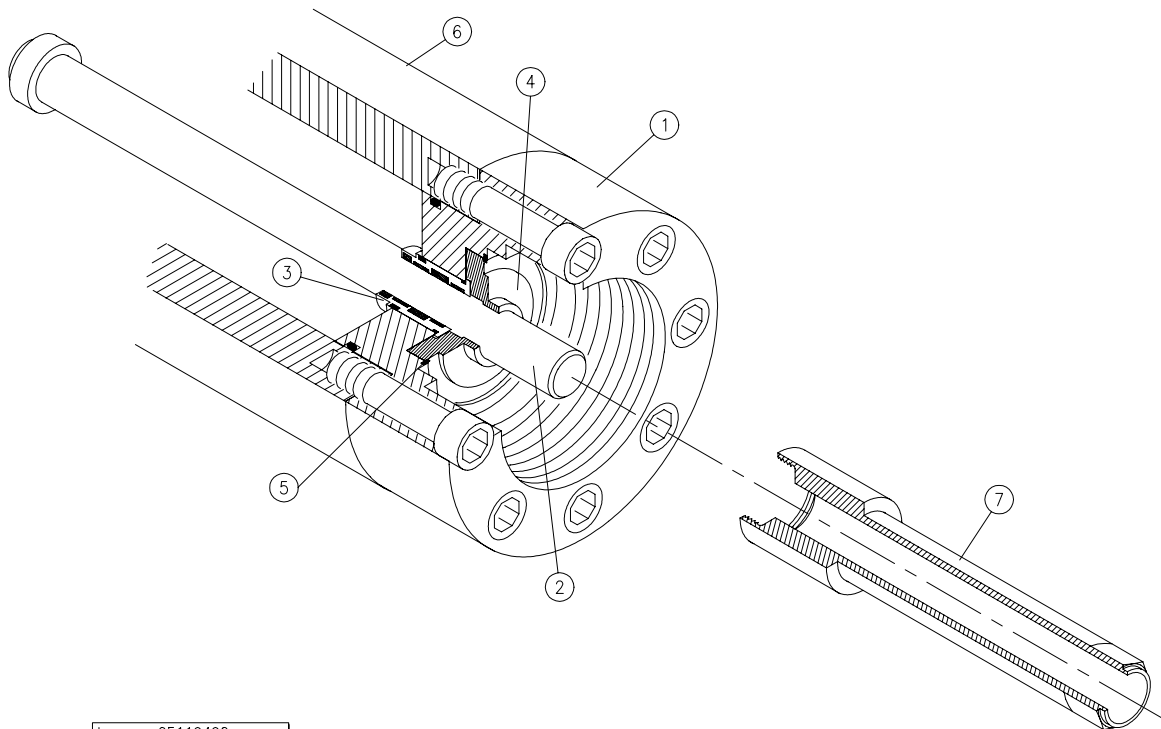


Image: 05119490  
Drawing: 05113030 rev

**Item Description**

- |                                      |                            |
|--------------------------------------|----------------------------|
| 1. Cylinder Head                     | 4. Bushing Retainer Flange |
| 2. Plunger                           | 5. Retaining Ring          |
| 3. Hydraulic Cartridge, Plunger Seal | 6. Hydraulic Cylinder      |
|                                      | 7. Plunger Removal Tool    |

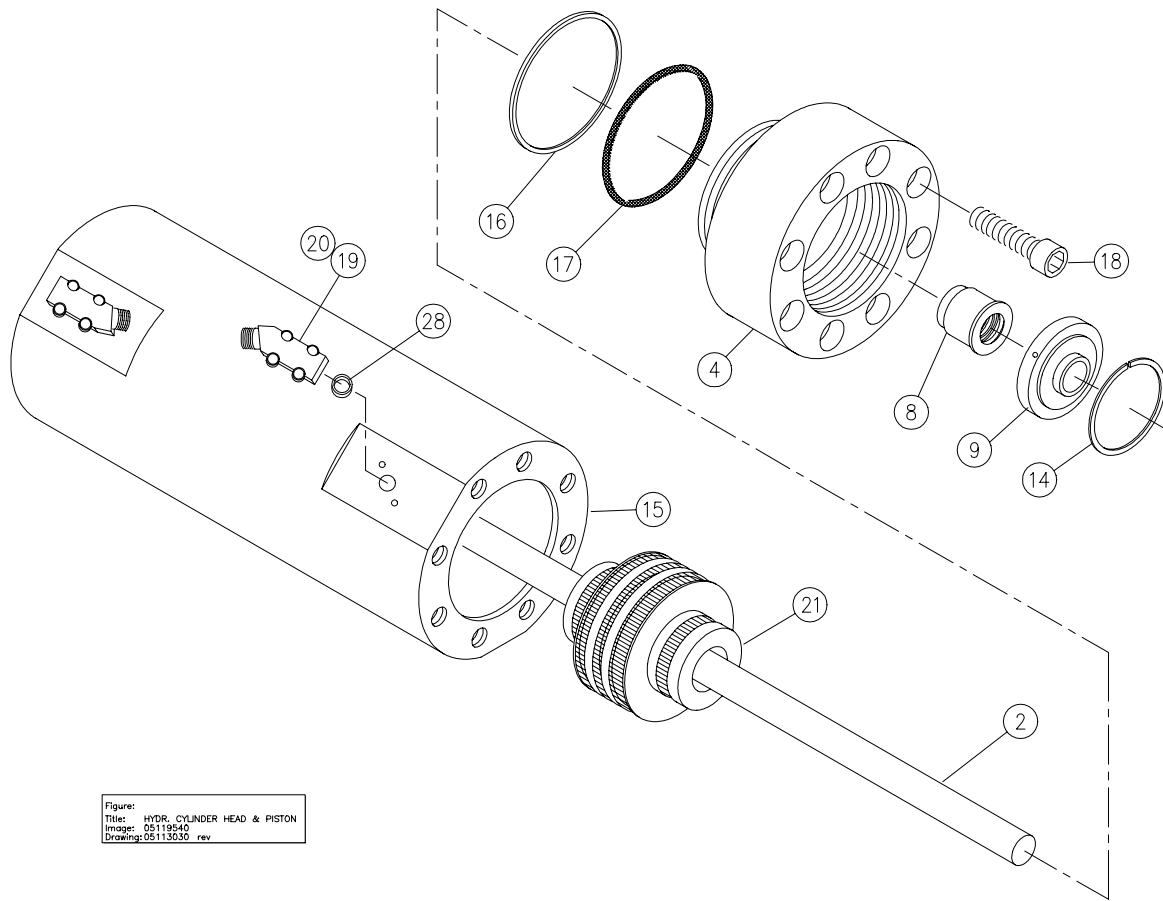


Figure:  
Title: HYDR. CYLINDER HEAD & PISTON  
Image: 05119540  
Drawing: 05113030\_rev

**Item Description**

2.	Plunger	9.	Bushing Retainer Flange	18.	Cap Screw
4.	Cylinder Head	15.	Hydraulic Cylinder	19.	Proximity Switch
8.	Hyd Cartridge, Plunger Seal Assy	16.	O-ring	20.	Cap Screw
		17.	Backup Ring	21.	Hyd Piston Assy
				28.	Spacer

**7.3 Intensifier Subassemblies Inspection and Repair**

The inspection and repair of the following subassemblies will be discussed:

- Discharge HP Check Valve, Section 7.3.1
- Inlet Check Valve, Section 7.3.2
- Sealing Head, Section 7.3.3
- HP Cylinder, Section 7.3.4
- Plunger, Section 7.3.5
- Hydraulic Seal Cartridge, Section 7.3.6
- Hydraulic Piston, Section 7.3.7
- Hydraulic Cylinder, Section 7.3.8

**7.3.1 Discharge HP Check Valve**

The HP discharge check valve can be serviced with the sealing head either installed in or removed from its intensifier HP cylinder.

1. Remove the gland nut from the sealing head using a pair of wrenches.
2. When the gland nut is removed, the spring guide and spring will normally stay in the gland nut. The seat is removed with a magnet. Inspect the seat for damage or cracking. A cracked seat should be replaced. The seat is symmetrical, and can be installed with either face toward the poppet. Note that a slight burr at the hole edge identifies the used side of the poppet seat. When reinstalling the seat, apply a thin film of High Purity Goop to both faces. Install the seat into the sealing head with the best surface facing the check poppet.

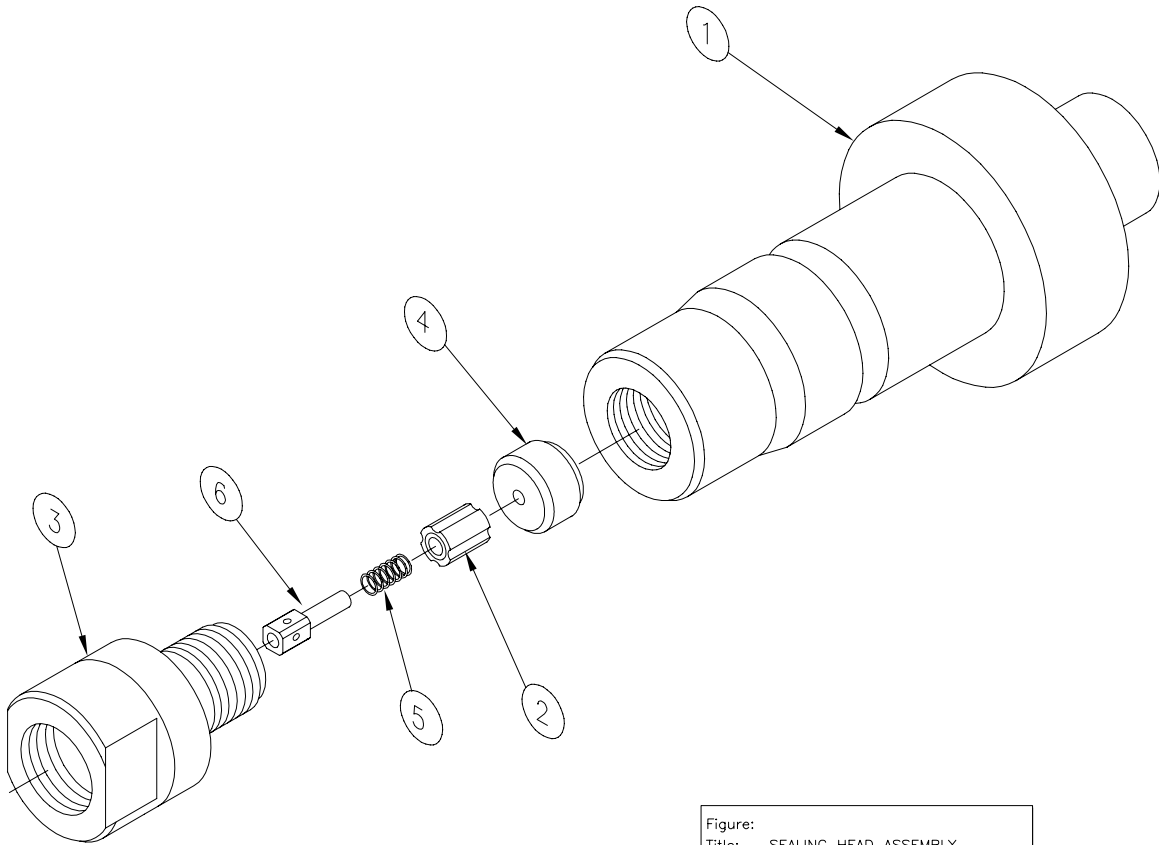


Figure:  
Title: SEALING HEAD ASSEMBLY  
Image: 05114798  
Drawing: 05116769P rev 4

**Item Description**

- |                  |            |               |
|------------------|------------|---------------|
| (1) Sealing Head | (2) Poppet | (3) Gland Nut |
| (4) Poppet Seat  | (5) Spring | (6) Guide Pin |

3. Inspect the poppet, spring, and guide for wear. Replace the spring and guide if worn.
4. Apply a thin film of High Purity Goop to the sealing face of the gland nut. Install the guide, spring, and poppet into the gland nut.
5. Apply High Purity Goop to the gland nut threads. Install the gland nut into the sealing head. The gland nut should be hand tightened until there is a gap of 5mm (0.20") between the gland nut and sealing head. No threads should show. If the gap exceeds 5mm (0.20"), then one of the parts has slipped out of place, and they must be removed, inspected and reassembled.
6. Using a crowfoot/torque wrench combination, torque the gland nut to 176 Nm (130 ft-lbs.).
7. Reconnect high pressure and low pressure piping, per Section 7.2.1. Operate waterjet pump to verify HP fittings do not leak, and that the HP water signal is normal (indicative of normal check valve operation).

**7.3.2 Inlet Check Valve**

1. Use a ½” flat bladed screwdriver to unscrew the poppet retainer from the sealing head. The inlet check valve is disassembled.
2. Inspect and refinish the sealing head face seal surface per instructions in Section 7.3.3.
3. Inspect both surfaces of the flat washer shaped poppet. If one surface is marred, and the opposite surface is not, the poppet may be reversed with the best surface facing the sealing head. If both sides are worn, replace poppet.
4. Assemble poppet (2) and spring (7) on poppet retainer (11). Apply small amount of Loctite 222 thread locker to thread of poppet retainer, taking care not to get Loctite on poppet or other inlet check valve sealing surfaces.
5. Tighten poppet retainer (11) using 1/2-in. flat blade screwdriver taking care not to twist off poppet retainer. If torque wrench tools are available, tighten to 25-30 in-lbs.
6. Inspect the assembled unit to insure the following:
  - The poppet moves freely.
  - The spring is fully guided on the poppet retainer.
  - The spring end is 90° from the retainer’s screwdriver slot.
  - The poppet retainer is shouldered against the sealing head.



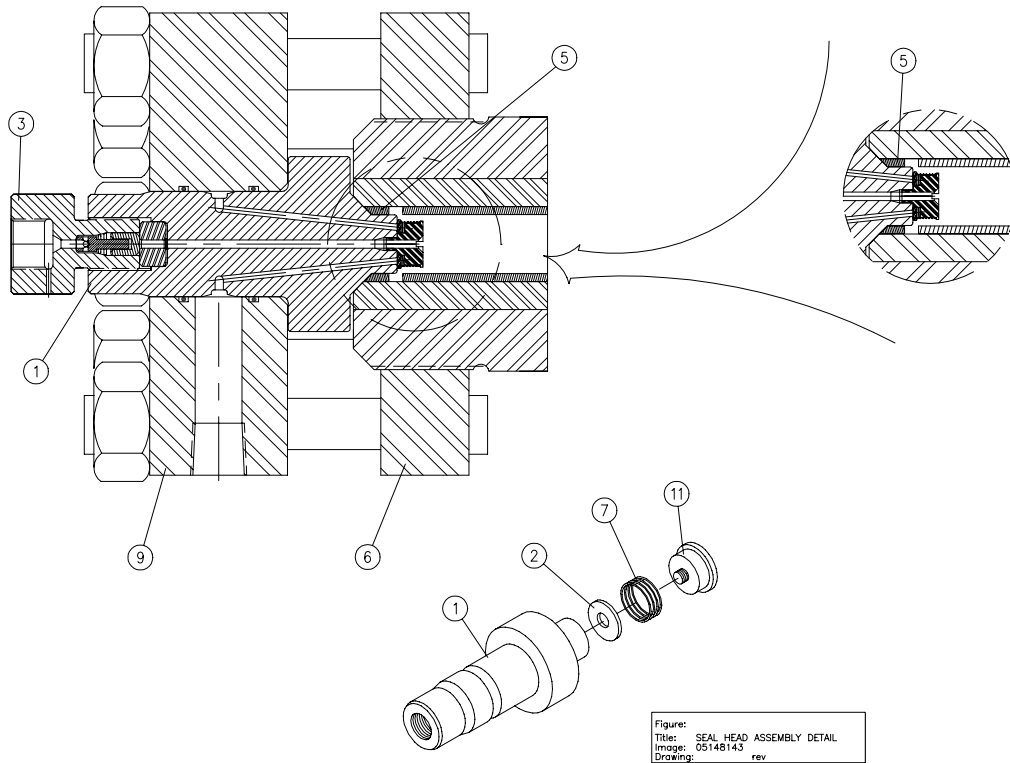


Figure:  
Title: SEAL HEAD ASSEMBLY DETAIL  
Image: CS148143  
Drawing: rev

**Item Description**

- |                      |                 |                    |
|----------------------|-----------------|--------------------|
| (1) Sealing Head     | (2) Poppet      | (3) Gland Nut      |
| (5) Seal Head Spacer | (6) Flange Ring | (7) Suction Spring |
| (9) End Flange       | (11) Retainer   |                    |

**7.3.3 Sealing Head**

The sealing head should be inspected for scratches and wear on two surfaces:

- HP cone ring seal contact surface
  - Inlet HP check valve poppet contact surface
1. Polish the cone ring 45 degree surface to achieve a smooth finish. Grooves or machine tool marks should be barely discernable by fingernail test.
  2. Inspect the inlet poppet sealing surface of the sealing head for pits, scratches, or jetting erosion. Refinishing the seal head inlet poppet face is mandatory when rebuilding the sealing head. Using a piece of plate glass (not window glass) on a sturdy table, place a piece of 400 grit wet/dry sandpaper atop the plate of glass which provides the absolutely flat surface necessary for the polishing process. Using even, deliberate strokes, polish the sealing head until smooth. Rotate the head about 10-15 degrees every stroke. Be careful not to tilt or tip the head while polishing it as to not scrape the part.
  3. When the sealing head is flat and smooth, perform a final polish with 600 grit wet/dry sandpaper. A mirror finish is required. Ingersoll-Rand offers a refinishing service.

**7.3.4 HP Cylinder**

1. At a workbench, use the seal removal tool to prevent scratching the cylinder bore sealing surface. Use a pulling action to remove the sealing head HP seal.
2. Remove the bore liner. Use a plastic-faced hammer and the seal removal tool to drive out the plunger HP seal and follower. Be careful not to scratch the bore of the cylinder or damage the cylinder threads.
3. Clean sealing areas of HP cylinder inside diameter and inspect cylinder for rings, scratches, pits, residue build-up and other potential leak paths. Seal material or residue can build up forming a ring, and running a fingernail across it, will cause it to appear as a surface flaw. It is usually necessary to clean the area before performing an inspection.
4. Use 600 grit wet/dry sandpaper to polish HP cylinder inside diameter where the seal will locate. Polish only in a circumferential motion. Do not polish or drag the sandpaper along the length of the cylinder. Hold the sandpaper on the end of your finger, and move in a cylindrical wiping motion in the bore of the HP cylinder. Wipe residue from cylinder inside diameter and re-inspect for surface defects.

**NOTE**

The HP cylinder ends often show a “step” between inner and outer sleeves where the inner sleeve extends beyond the outer by a small amount. This is normal and does not indicate a flaw in the cylinder.

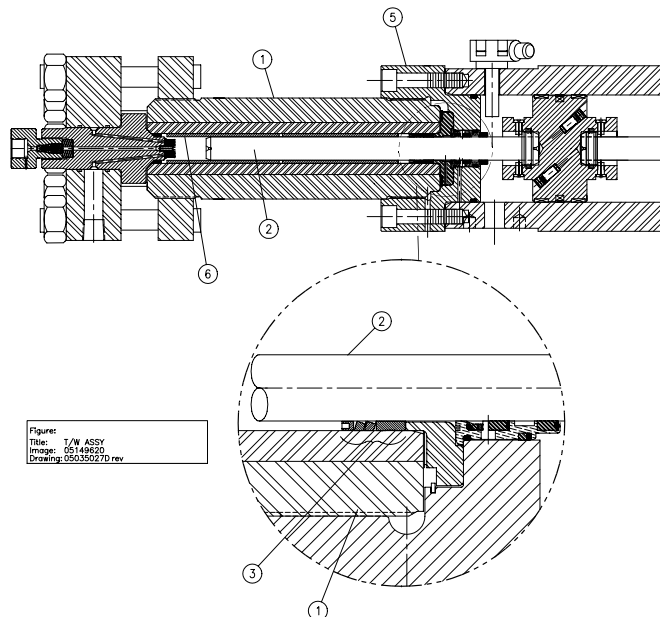


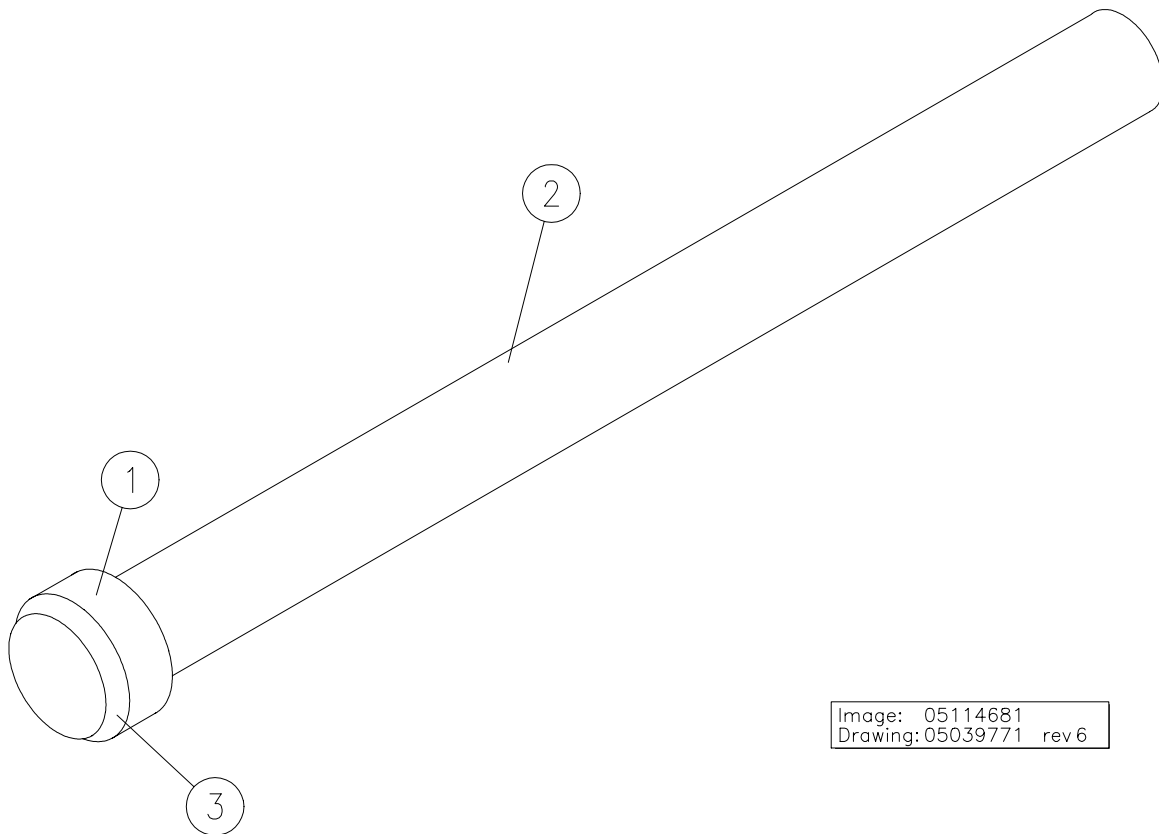
Figure:  
Title: T/W ASSY  
Image: 05148629  
Drawing: 0503027D rev

**Item Description**

- |                           |                   |
|---------------------------|-------------------|
| (1) Cylinder Body         | (5) Cylinder Head |
| (2) Plunger               | (6) Liner         |
| (3) Plunger Seal Follower |                   |

**7.3.5 Plunger**

Plunger surfaces can become streaked with longitudinal scratches or flaws, the surface can become discolored or dull in appearance, or the outboard end can become smeared with stainless steel due to contact with the bore liner. If any of these conditions become severe, the plunger HP seal and possibly the hydraulic seals will leak excessively. Repair of plunger surface flaws usually cannot be accomplished on site. KMT Waterjet offers a plunger reconditioning service.

**Item Description**

(1) Plunger Button                      (2) Plunger                      (3) Button Chamfer

**7.3.6 Hydraulic Seal Cartridge**

Carefully remove worn seals and O-rings from cartridge by pushing them with a dowel or similar object. Remove seals positioned close to the open ends first, working toward the interior. Examine seals for unusual wear, deformation or cuts. Note any unusual buildups of solid material or debris causing possible leak paths.

Examine the cartridge body (1) surfaces for scratches, signs of metal-to-metal contact, deformation or other unusual wear.

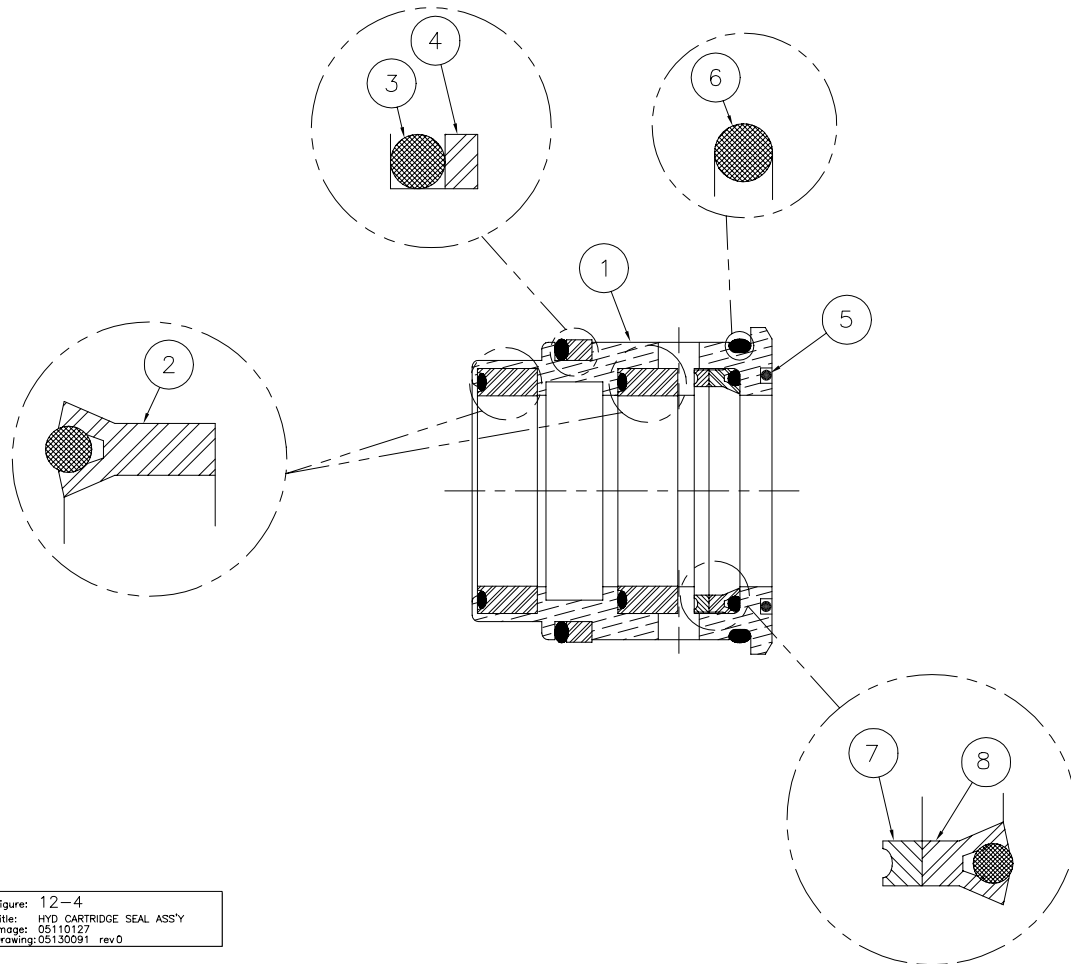


Figure: 12-4  
Title: HYD CARTRIDGE SEAL ASS'Y  
Image: 05110127  
Drawing: 05130091 rev 0

**Item Description**

- |                    |                |            |
|--------------------|----------------|------------|
| (1) Cartridge Body | (2) U-cup Seal | (3) O-Ring |
| (4) Back-Up Ring   | (5) O-ring     | (6) O-Ring |
| (7) Back-Up Ring   | (8) U-cup Seal |            |

**NOTE**

It is important to examine the inside diameter surfaces of cartridge seal grooves for scratches, especially any scratches in the axial direction that might offer a leak path. Use caution during seal removal and installation to avoid scratching these surfaces. Do not use metal screwdrivers, wires, etc. to remove inside diameter seals. Plastic or wood should be used for seal removal and installation.

1. During seal installation, orient U-cup packing seals (2) (8) so that they match figure above.
2. Apply food grade grease to seals and cartridge seal components to aid in installation and seal seating. Use installation tool, if available, for installation of U-cup seals (2) (8). Verify that U-cup O-rings are in place in their respective U-cup seals after installation.

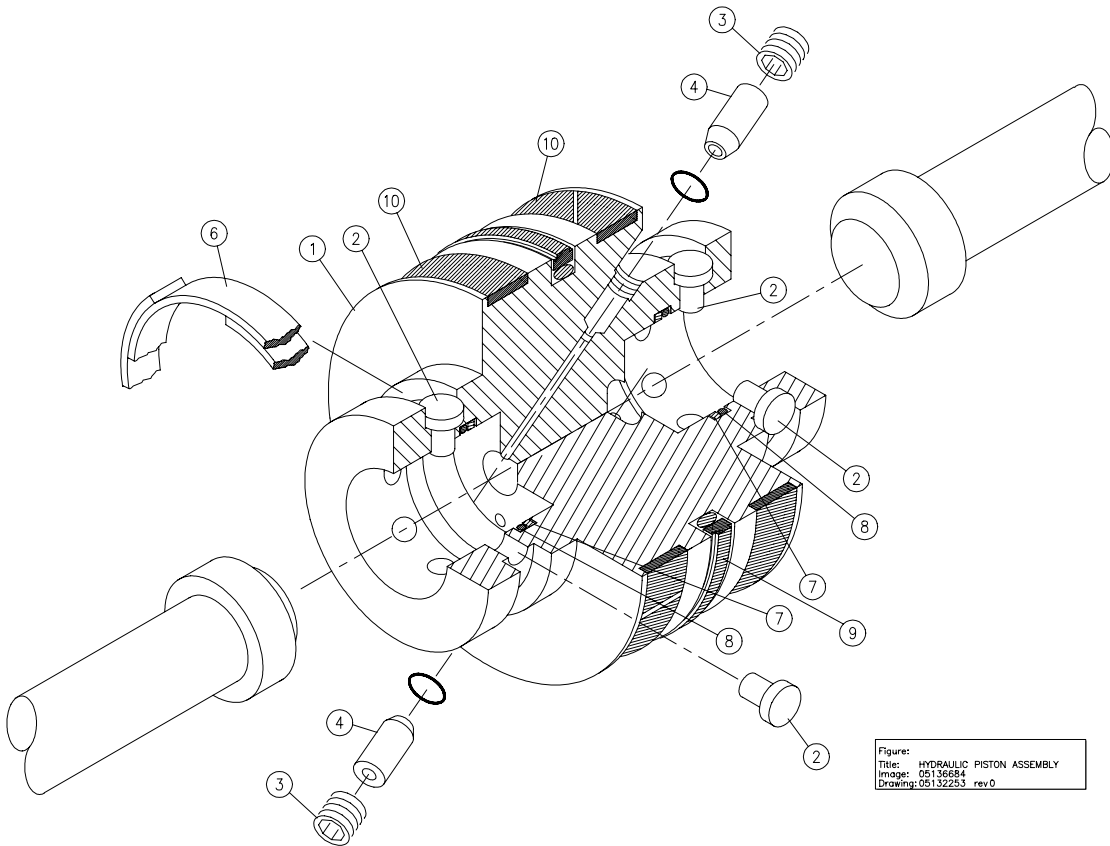
**7.3.7 Hydraulic Piston**

The hydraulic piston contains a seal assembly, bearing rings, pins and flat spring bands, and check valves. Bearing rings (10) provide wear contact between piston and cylinder ID. Plungers (12) are held in place by 6 each pins (2) per plunger. Pins (2) are maintained in place by flat steel band (6). Check valves (4) are mounted internal to the piston to vent unwanted hydraulic pressure to the piston opposite side. These check valves prevent hydraulic pressure from building behind the plunger button

**Replace Piston Seal**

1. Remove bearing rings (10) and worn seal ring assembly (9).  
Do not scratch bottom surface of piston seal groove. Scratches to the seal groove sides and/or bottom can result in a hydraulic leak.

**NOTE:** Use a smooth, dull-edged blade made from brass or similar soft (relative to steel) material to remove and install seal assemblies.



**Item Description**

1.	Piston	5.	Threadlocking Adhesive	7.	Backup Ring (2 ea.)
2.	Pin (12 Each)	6.	Flat Wire Snap Ring (2 ea.)	8.	O-ring
3.	Set Screw (2 ea.)			9.	Seal Assy
4.	Check Valve (2 ea.)			10.	Bearing Ring (2 ea.)

2. With seal and bearings removed, inspect seal groove bottom for marks or scratches and residue buildup. Clean and /or repair groove surfaces as required.
3. Install replacement bearing rings (10).
4. Install replacement piston seal assembly (9). First install inner ring, taking care that this ring is not twisted after installation. Slide outer seal ring over metal edges, easing seal into place over inner ring.

**NOTE:** Heating the piston seal ring in hot water (150 degree F for 3-5 minutes) increases seal flexibility.

#### **Service Piston Plunger Sockets (2 each)**

1. Remove flat spring bands (6) and remove plunger retainer pins (2). Inspect pins and spring band for deformation or unusual wear. Clean and inspect pin holes in piston for unusual wear or hole deformation/enlargement.
2. Remove plunger button O-ring (8) and backup ring (7) (2 places), taking care not to scratch or otherwise damage seal groove surfaces. Clean and inspect seal grooves for residue buildup or surface marks that might cause seal leaks.
3. Inspect plunger button sockets for unusual wear.

**NOTE:** Plungers may make an indentation in the bottom of the plunger socket. The bottom of this socket may show the impression of the plunger on it due to the high contact forces between piston and plunger. This compression mark is normal.

#### **Service Piston Internal Check Valves**

**NOTE:** Check valve (4) servicing is not necessary unless there is suspicion of a problem. If the check valves (2 each) or piston internal passages must be serviced, seal and pin servicing is also recommended.

1. Check valves (items (4), 2 each) or cross-drill plug (11) removal may be necessary. Re-install using thread locking compound applied sparingly on the plug threads.

Excess compound may clog a check valve or block a drilled passageway.

**NOTE:** To avoid excess compound, position the plug or retainer on its Allen wrench, apply thread locking compound, then hold the plug/retainer horizontal on a paper towel while rotating the plug/retainer to wipe off excess thread locking compound.

2. Install O-ring in check valve cavity, positioning in hole bottom with pencil-like blunt instrument. Install check valve with chamfered end toward O-ring. Coat retainer (3) with thread locking compound. Then thread retainer (3) over check valve cartridge (4). Allow 24 hours for thread locking compound to set.
3. Install plugs (11) in cross- drilled passages by applying thread locking compound to plug threads. Then thread plugs (2 each per hole), with the



second plug acting to lock in the first. Allow 24 hours for thread locking compound to set.

**Install Plunger Button Seals and Retainer Pins in Hydraulic Piston**

1. Install new backup ring (7) and O-ring (8) in each internal groove in each plunger pocket (2 places).

Failure to install backup ring can result in plunger being forced out of plunger pocket.

2. Reinstall pins in piston, verifying that each pin moves freely without excess side play in its cavity.
3. Reinstall band (6) over pins. Repeat this process for the opposite piston side. With piston on bench, install plunger in each end of piston, checking snap-in feature of plunger attachment. Use plunger removal tool to verify that pins retract (release plunger) and close (retain plunger) in a uniform manner.

**Install Hydraulic Piston Assy into Hydraulic Cylinder**

**NOTE:** Piston seal assembly must be compressed before the piston assembly will slide into the hydraulic cylinder. A ring compression tool such as shown in the figure below is recommended.

1. Check that hydraulic cylinder bore is free grit, or contamination, and that the proximity switches are removed to prevent interference. Lubricate piston bearing and seal surfaces with FML-2 grease. Lightly lubricate 2-3 inches of cylinder (15) bore with same grease.
2. Fit or drive piston assembly into ring compression tool (20). Position compression tool with piston assembly over end of hydraulic cylinder. Using a plastic-faced hammer so as not to damage piston surfaces, gently drive the piston assembly into the hydraulic cylinder.
3. Remove seal compression tool, continue driving piston assembly into hydraulic cylinder until it is between the proximity switch holes. Continue intensifier re-assembly by installing cylinder heads, plungers, hydraulic seal cartridges, and HP components.

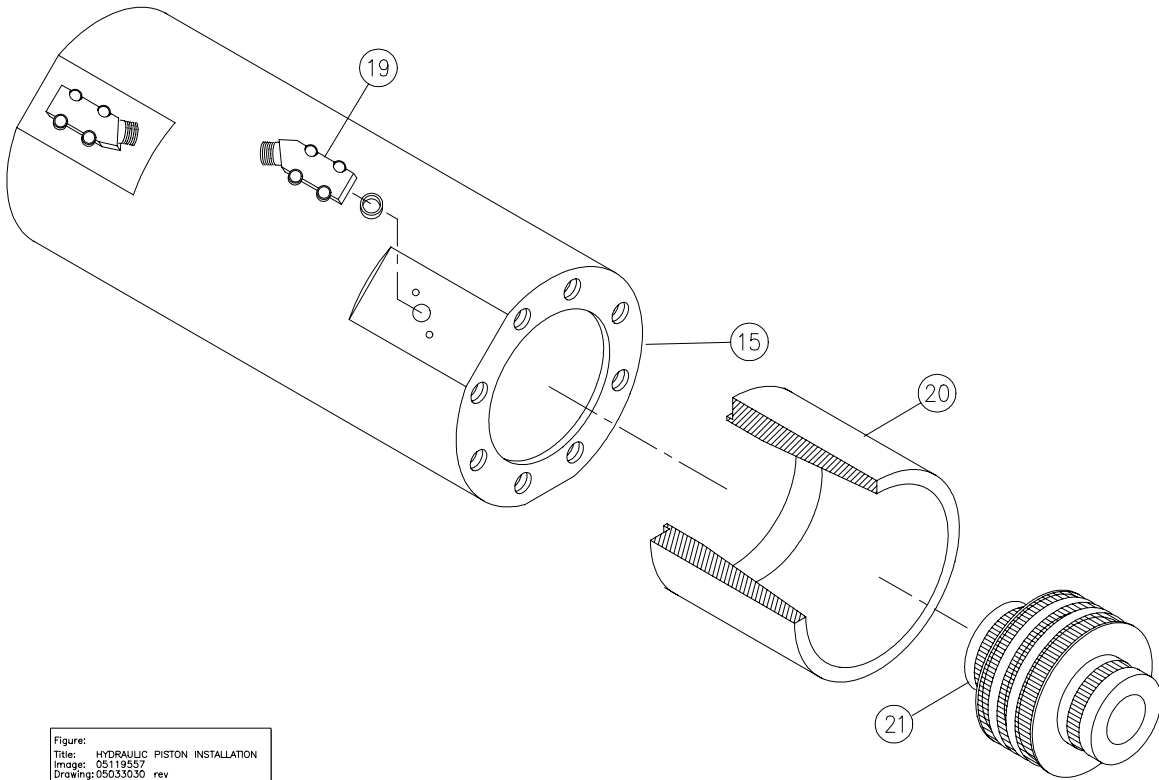


Figure:  
Title: HYDRAULIC PISTON INSTALLATION  
Image: 05119557  
Drawing: 05033030 rev

**Item Description**

- |                        |                                       |
|------------------------|---------------------------------------|
| 15. Hydraulic Cylinder | 20. Seal Ring Compression Tool (P460) |
| 19. Proximity Switch   | 21. Hydraulic Piston Assy             |

**7.3.8 Hydraulic Cylinder**

The inside diameter surface of the hydraulic cylinder should be inspected for wear grooves and surface finish whenever the hydraulic cylinder heads are removed. Excessive grooving on this bore is indicative of piston seal wear.

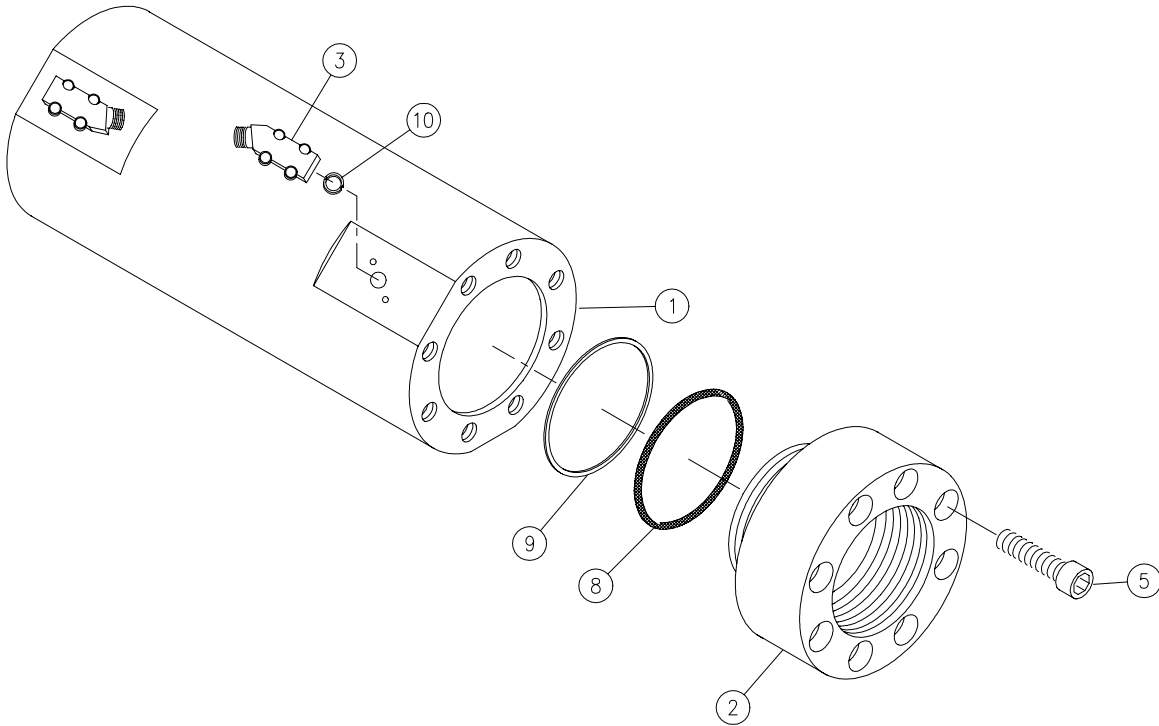


Image: 05114707  
Drawing: 05113030 rev

**Item Description**

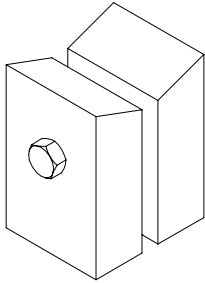
(1) Hydraulic Cylinder	(2) Cylinder Head	(3) Proximity Switch
(5) Cap Screw	(8) Back-up ring	(9) O-ring
(10) Spacer		

**7.4 HP Dump Valve**

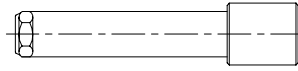
The dump valve assembly includes a normally open HP water valve, plus a solenoid operated air valve for the air actuator on the dump valve. Replacement parts for the HP valve are provided in the **Parts Lists** (Section 12, see Figure 12-7, “Bulkhead Piping Assy”).

**7.5 HP Attenuator**

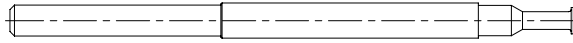
There is no servicing of the HP attenuator at the customer level. The seals in the HP attenuator are tested at Ingersoll-Rand to high pressure in excess of operating pressure making disassembly difficult. In the event of a HP water leak of a HP attenuator, the attenuator should be replaced. The defective attenuator should be returned to KMT Waterjet for replacement or servicing.



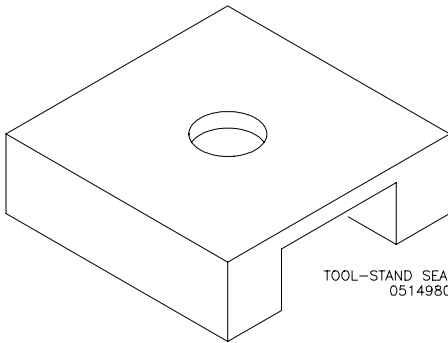
VEE BLOCK CRADLE  
05149877



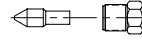
PLUNGER REMOVAL TOOL  
05004924



SEAL REMOVAL TOOL  
10148674



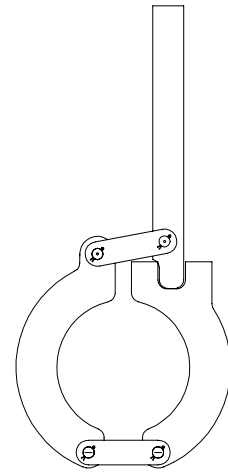
TOOL-STAND SEAL REMOVAL  
05149802



3/8" PLUG  
10079523



3/8" GLAND  
10078129



CYLINDER WRENCH  
05066139

Figure:  
Title: S4 INTENSIFIER HP CYL TOOLS  
Image: 49831951  
Created: rev

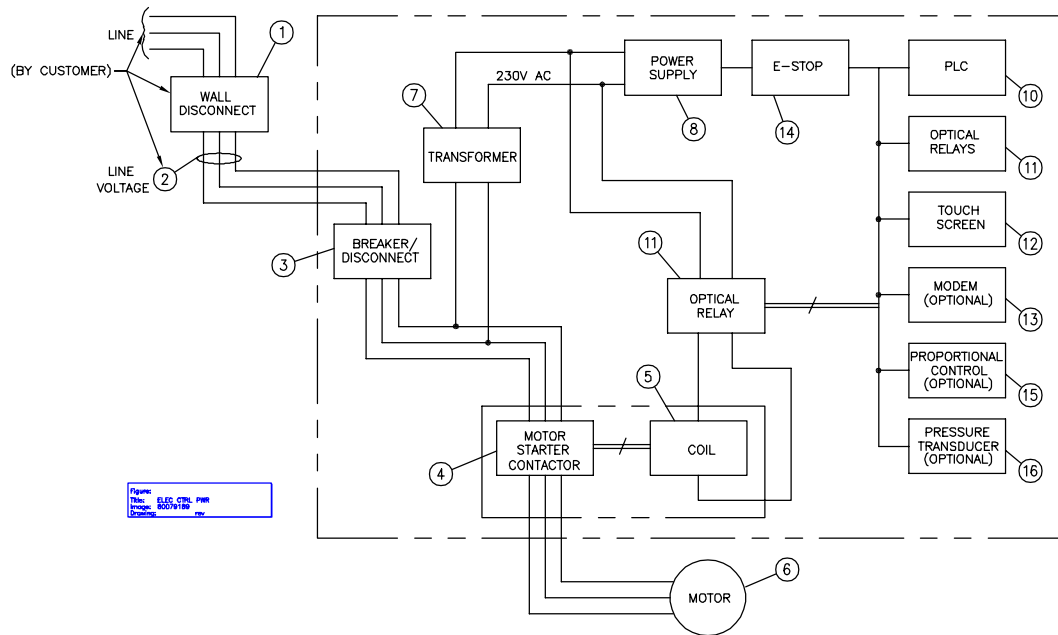
**Section 8 ELECTRICAL SYSTEM****8 Electrical System**

The electrical system contains all functions necessary for turnkey operation. This includes the control and starter panel, intensifier reversal circuit, diagnostics, malfunction warning and protection.

The electrical enclosure and the display, buttons, lights, and electrical harnesses into and out of this enclosure can be exposed to occasional water spray and dust per NEMA-12 standards.

**8.1 Electrical Overview**

There is only one electric motor on the SL-IV Waterjet Pump. The control voltage of 24vdc is furnished by the built-in power supply drawing its power from the motor's AC circuit.



**Figure 8-1 ELECTRICAL CONTROL POWER**

**Item Description**

1	Wall Disconnect-Main Power	10	Programmable Logic Controller
2	3-Phase Line (Service Drop) Power	11	Optical Relays
3	Enclosure Door Disconnect/Circuit Breaker	12	Touch Screen Interface Panel
4	Motor Starter Contactor(s)	13	Modem (Optional)
5	Contractor Coil(s) (230V)	14	Emergency Stop Button
6	Electric Motor	15	Proportional Control (Optional)
7	Transformer (230V AC Out)	16	Pressure Transducer (Optional)
8	Power Supply (24V DC Out)		

**8.1.1 Motor Starter Circuit**

All horsepower levels of SL-IV Waterjet Pumps are available with built-in starter/ control panels . Two starter circuits are typically used:

- ◆ Wye-Delta for reduced voltage starting: Required in Europe and standard on the SL-IV for motors of 75 hp or greater. Three each 3-phase contactors are used to accomplish Wye- Delta starting.
- ◆ Across- the- Line, or Full- Voltage starting: Commonly used in North America, only a single 3-phase contactor is required.

Electrical power from the utility grid enters the SL-IV Intensifier Pump at the combination circuit breaker/ disconnect (3). Note that whenever the door to the electrical enclosure is opened, all electrical power is automatically disconnected from the intensifier pump. Be aware that 3-phase, medium voltage power is still present at the input side of the main circuit breaker/ door disconnect. To make the SL-IV Intensifier Pump electrically safe, one should switch the wall disconnect (1) OFF and observe LOCK-OUT/ TAG-OUT safety practices. Note that the wall disconnect (1) should have circuit breakers or fuses, but that this over current protection may be oversized for the current draw of the particular SL-IV Intensifier Pump. The primary over-current protection for the SL-IV Intensifier Pump is the main breaker/ door disconnect (3) built into the electrical enclosure. On the output side of the main breaker/ door disconnect (3) main power leads connect to the motor starter contactor(s) (4), then to the electric motor (6). Secondary power leads connect to two phases of the main breaker/ door disconnect output side to supply the control circuit.

Other features included in the motor starter circuits include:

- Manual disconnect with door handle interlock
- Overcurrent protection
- Hydraulic unloading during startup, allowing the motor to reach full speed.
- 9-post motor terminal block for European models.



### 8.1.2 Control Circuits and Logic

The operator controls the waterjet pump primarily through the digital display panel. The digital interface (display) communicates with the PLC controller located inside the electrical enclosure.

In order to avoid costly damage to the pump, automatic shutdown logic and diagnostic messages are displayed to the operator as to the cause of the impending shutdown. The inputs that trigger automatic shutdown are:

- Motor Overload
- Motor Feedback Failure
- Oil Level Low
- Oil Temp High
- Low Booster Pressure
- Low Inlet Water Pressure
- Long Idle Time Shutdown
- Booster Temp High
- Left Overstroke Shutdown
- Right Overstroke Shutdown
- Topworks Overstroke Shutdown

For more information on these conditions and recovery procedures, refer to **Section 3, Operation**, of this manual.

The functions listed below are available by connecting to terminal blocks in the starter/control enclosure. An optional 37-pin circular connection mounted in the side of electrical enclosure is available.

- Start
- Stop
- Emergency Stop (E-Stop)
- Pump RUN indicator light
- Pump malfunction light
- Remote 2-pressure
- Proportional Pressure (optional)

**Table 8-2. SENSORS/SOLENOIDS - SLIV**

No.	FUNCTION	COMPONENT DESCRIPTION	LOCATION
1	Intensifier shift sensors	Proximity switches	Hydraulic cylinder, intensifier assy
2	Cutting water supply	Solenoid shutoff valve, water	Bulkhead plumbing assembly
3	HP water dump valve	HP shutoff valve, pneumatically-operated, solenoid valve (pneu)	HP discharge piping, betw. HP atten. and bulkhead piping.
4	Intensifier Shift, A/B Port Shifting	Solenoid- operated, directional control valve (DCV), hydraulic pilot- operated spool	Hydr manifold assy, motor/ pump group
5	HI/LO Pressure Select	Solenoid shutoff valve, hydr cartridge style	Hydr manifold assy, motor/ pump group
6	Low oil level/ temperature	Combination level/ temp switch, immersed in hyd fluid	Hydraulic reservoir
7	High Booster Pump Temp	Temperature sensor	LP water filter assy, manifold block
8	Low cutting water supply pressure	Pressure switch, 30 psig	LP water filter assy, manifold block
9	Low booster pump pressure	Pressure switch, 60 psig	LP water filter assy, manifold block

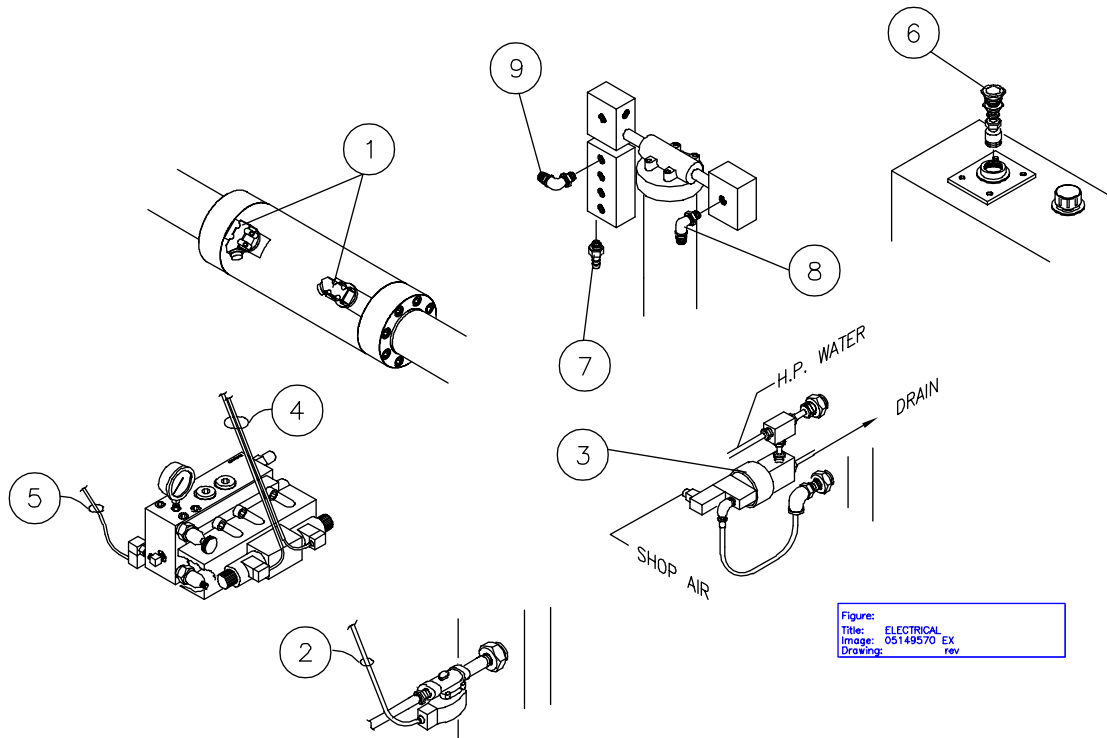


Figure:  
Title: ELECTRICAL  
Image: 05149570 EX  
Drawing: rev

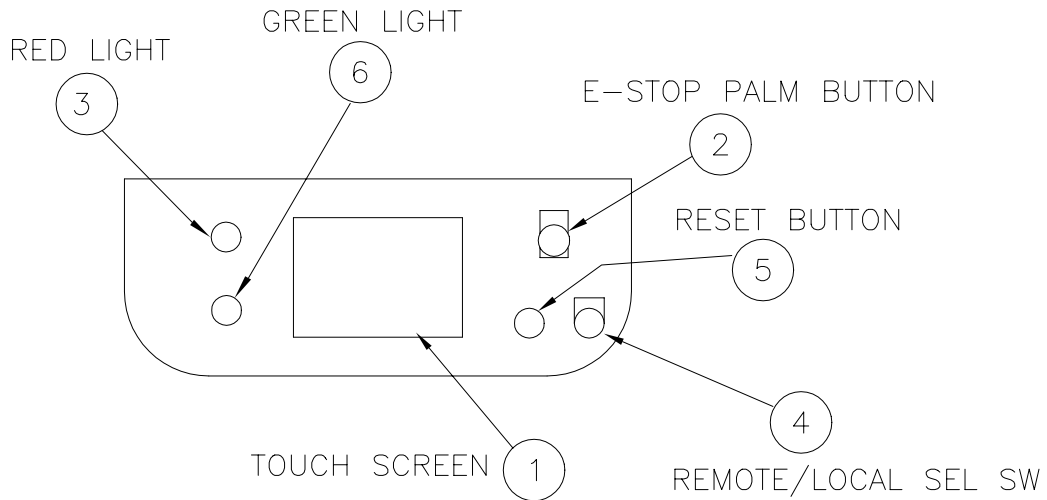


Figure:  
Title: CONTROLS  
Image: 05146337 EX  
Drawing: rev

**Figure 8-3 CONTROL PANEL/SCREEN, SLIV**

**8.1.3 Operation (See Figure 8-3)**

To energize the Control Panel, pull the **EMERGENCY STOP** button, then press the **RESET** button. The Control Panel will display the **RUN** screen. After a five second delay, if all run conditions are met (no alarm conditions, and inlet water pressure above 30 psi) the **RUN BAR** will flash, indicating machine is ready to start.

Before starting intensifier insure all parameters are set to users specifications.

On **RUN** screen press **PRESSURE** button to set final pressure. An up/down arrow below the **PRESSURE** switch indicates high or low pressure setting. The pump will be held in low pressure for 20 seconds after motor is started, after which pressure will go to high if high is selected, otherwise the pump will stay in low pressure. The final pressure may also be set on the **PRESSURE CONTROL** screen if analog control is present.

On the **STROKE RATE** screen set the **STROKE RATE ALLOWED**. Because overstroke protection is related to stroke speed under actual pressure setting, this allows you to control sensitivity of the overstroke protection software for your particular operating pressure.

Return to the **MAIN MENU**. Scroll to **SET-UP** screen. There are two **SET-UP SCREENS** – If analog pressure control is not installed on the machine, a screen will appear that does not include the **TRANSDUCER** and **PROPORTIONAL SELECT** buttons. These buttons are used only if a pressure transducer and/or a proportional valve are installed on the machine. Set water reset function and idle shutdown function on or off.

**WATER RESET FUNCTION**

Press on **(I)** to shut water off five (5) minutes after machine shuts down. Selecting this function will insure that the inlet cutting water is shut off following a shutdown fault. This can prevent water from leaking past a damaged water seal following an overstroke shutdown caused by a seal failure.

**IDLE SHUTDOWN FUNCTION**

Set timer to stop machine after 5-30 minutes of inactivity (machine not stroking). This feature saves energy by automatically shutting down the intensifier if it is not being used.

For more information, refer to Section 3, **Operation**, of this manual.

**(1) Standard machine, start-up after machine has been E-stopped:**

Safety dump valve will be open. It will close 3 seconds after the T/W begins stroking. The pump will be held in low pressure for 20 seconds after motor is started after which pressure will go to high if high is selected, otherwise will stay in low.

The purpose for this is to allow entrapped air to be bled from any HP cylinder that has been maintained to avoid hot air burning the plunger seals.

**(2) Standard machine, start up after normal stop:** Safety dump valve will be closed, pump will be held in low pressure for 20 seconds after motor is started, after which the pressure will go to high if high is selected, otherwise will stay in low.**(3) Machine equipped with hp transducer, start up after E-stop:** same as (1) above.**(4) Machine equipped with hp transducer, start up after normal stop:** If pressure is allowed to bleed through orifice to below 1000 psi, dump valve will open and start up will be like (1) above, if pressure is not allowed to bleed, start up will be as (2) above.

- The display screen will always default to the **Run** screen after being on any other screen more than 5 minutes.

**NOTE**

The high-pressure dump valve will not close if the air supply is OFF.

After pressing the Start button:

- The motor starter in the control panel is activated and the motor starts.
- The intensifier assembly starts operating. Reversal position is sensed by proximity switches, which send signals to the PLC inside the control panel. The PLC activates the opposite solenoid on the pump reversing valve.

**8.1.4 CONTROL POWER CIRCUITS** (see Figure 8-1)

A control power transformer (7) with multiple input taps and 230 VAC output taps provides all control power to the SL-IV Intensifier Pump. A pair of leads from the main breaker/ door disconnect (3) are routed to the transformer (7) input side. Note that transformer (7) input voltage should match voltage at the wall disconnect (1). Hence, the 2 leads to the transformer (7) input are correct when L1 is 0 volts and L2 matches the wall disconnect (1) voltage (e.g., 460, 415, 757, 400, 208 volts-AC, etc.).

Transformer (7) output power is always 230 volts-AC. Note that if the Pump has a 230 volt AC motor (6) and starter (4) setup, no transformer (7) is necessary. (IR Waterjet does NOT recommend that Pumps be operated at 230 volts-AC for reasons of operating cost and energy savings, though sometimes running the intensifier at this and other low voltages is necessary.)

Wiring from the control power transformer (7) output (secondary windings) is directed to two places: 1) motor contactor(s) (5) and 2) 24 volt-DC power supply (8). To minimize the load requirement on the 24 volt-DC power supply, motor contactor coil(s) (5) use 230 volt-AC coil(s), while the relay logic (11) controlling the motor contactor(s) (4) is powered by 24 volts-DC.

The 24 volt DC power supply (8) receives 230 volts-AC input power and regulates it to 24 volts DC, 5 amps maximum output power. 24 volt-DC power from the power supply (8) first passes through a circuit breaker and the EMERGENCY STOP (E-Stop) (14) logic, then to the PLC (10), the touch screen display (12), the optical relays (11), and to other control functions.

**8.1.5 (OPTIONAL) PROPORTIONAL PRESSURE CONTROL**

Proportional pressure control (optional) allows the operator to change cutting water pressure using the touch screen. An electronically-controlled hydraulic cartridge relief valve mounted on the hydraulic manifold accomplishes this proportional control. The proportional relief valve receives its commands from a section of the PLC. An analog output module attachment with the PLC is required to operate the proportional pressure control.

**8.1.6 (OPTIONAL) MODEM**

Modem option available for remote maintenance, trouble-shooting and software updating.

**8.2 Maintenance Overview**

Electrical components require minimum attention and service. The components that require service are the proximity switches on the intensifier assembly, and the optical relay switch in the control panel.

**8.2.1 Proximity Switch Service**

If the pump quits pumping water, the proximity switch may need to be replaced. Check the LED lights on the switch.

Symptoms of a failed proximity switch are (1) the LED lights do not change state (indicating not sensing the piston) or (2) the LED lights are continuously flashing. Replace the switch when failure occurs.

- Components:** (1) Intensifier Assembly  
(2) Piston  
(3) Proximity Switch  
(4) Hydraulic Cylinder
- Recommended Tools:** Allen (hex) Wrench, M5  
Torque Wrench  
Rags
- Parts:** Proximity Switch

**Replace Proximity Switch**

1. Turn off waterjet pump, disconnect and LOCKOUT electric power.
2. Disconnect cable.
3. Unscrew bolts, remove proximity switch.
4. Install new switch. Install bolts.
5. Torque bolts to 16-18 Nm (140-160 in-lbs.).

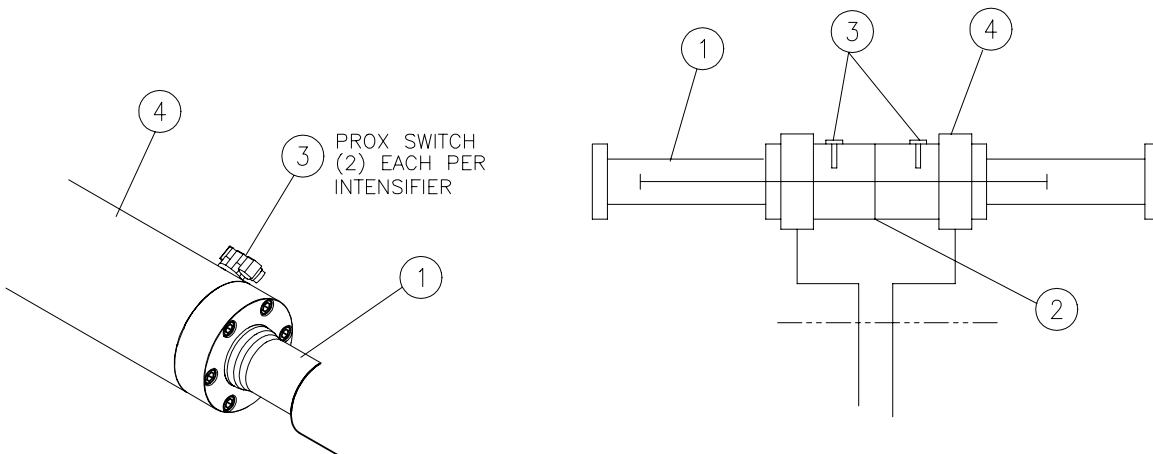


Figure: PROX SWITCHES  
Title: 80079197  
Image: rev

**8.2.2 Optical Relay Switch Service**

<b>Components:</b>	Optical Relay Switch
<b>Recommended Tools:</b>	Flat screwdriver, 3mm (1/8 inch)
<b>Parts:</b>	Optical Relay

**Replace Optical Relay Switch**

1. Turn off waterjet pump, disconnect and LOCKOUT electric power.
2. Open control panel.
3. Unscrew optical relay switch mounting bolts, remove and replace.

If the motor will not start and a “motor feedback” fault message appears, the optical relay which controls the motor starter may need replaced.

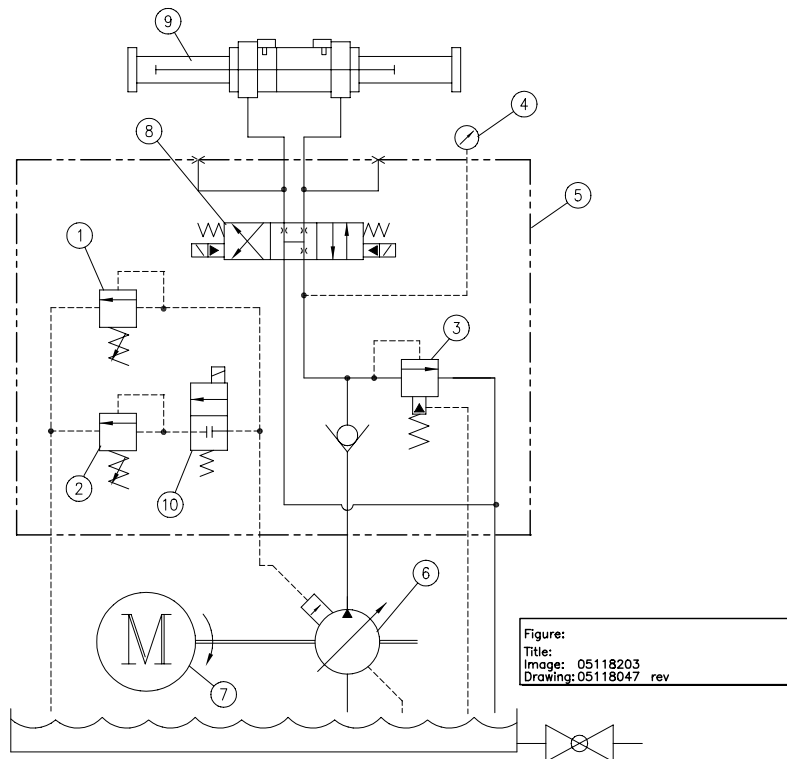


**9 Hydraulic System**

**9.1 Features**

In addition to “slow start”, other features of the hydraulic system are listed below:

- **Hydraulic 4-way valve** – directional control valve (DCV)–solenoid–operated. Used for HP cylinder shifting.
- **Close - coupled motor/hydraulic pump** – pump mounts directly to the motor, saving approximately 8-10 inches of length on the overall pump/motor assembly, reducing footprint of the waterjet pump package. The pump is directly coupled to the motor rather than a conventional standalone housing and shaft coupling assembly.
- **Reference hydraulic gage** – used for adjusting pressures in the HI/LO relief valves. Displays hydraulic pressure, as well as water pressure in multiple units directly at the pressure adjustment knob.
- **Built in hydraulic oil drip pan** – allows for the spills to be contained within the machine while addressing environmental issues of mixing water and oil.
- **Remote dual pressure control** – allows for flexibility at the cutting nozzle in pressure adjustments for certain pure water/abrasive applications.
- **Pressure adjustment control** – allows for infinite pressure settings though out the entire pressure range for flexibility.



**9.1.1 Components**

Following are the hydraulic system components:

**NOTE**

The main pump is direct-mounted to the motor. The main pump control includes hi and lo preset pressures. The operator is able to switch between pressures at the operator's console.

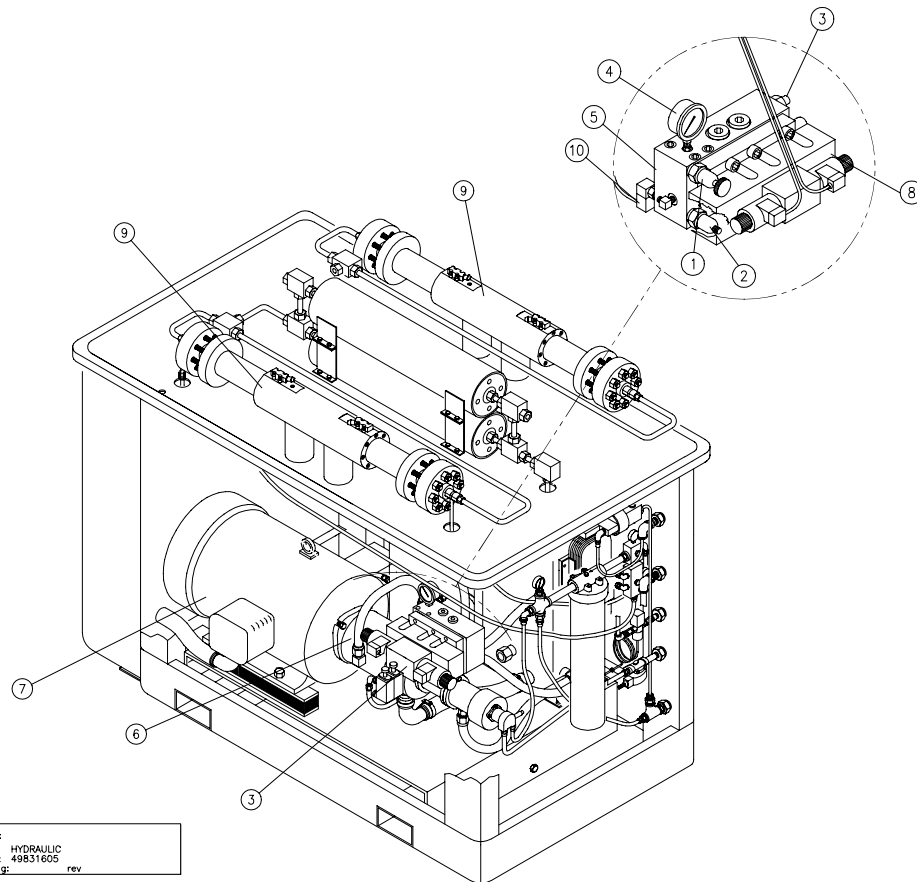


Figure:  
Title: HYDRAULIC  
Image: 49831605  
Drawing: rev

**Item Description**

- |                           |                               |                        |
|---------------------------|-------------------------------|------------------------|
| (1) HI pressure control   | (2) LO pressure control       | (3) Fixed relief valve |
| (4) Gage                  | (5) Manifold                  | (6) Pump               |
| (7) Motor                 | (8) Directional Control Valve | (9) Hydraulic Cylinder |
| (10) Hi-Lo Solenoid Valve |                               |                        |

## 9.2 Operation

The hydraulic system operates at HI or LO pressure settings up to the maximum flow capacity of the variable displacement piston pump. Upon selecting HI or LO, the operator is able to adjust the HI or LO pressure controls within the respective adjustment ranges.

The electric motor (7) drives the variable displacement, pressure compensated pump (6). The hydraulic manifold (5) is mounted on the pump discharge. The flow from the pump passes through check valve to the directional control valve (8), and the directional control valve sends the flow to the hydraulic cylinders (9) in one direction until the piston activates the proximity switch at the end of the stroke. The activated proximity switch sends an electrical signal to the programmable controller (PLC). This PLC in turn activates the directional control valve (8) to change flow and to reverse direction of movement of piston until activating the opposite end-of-stroke proximity switch.

Although one DCV supplies hydraulic power to two intensifier hydraulic cylinders arranged in parallel, these cylinders operate at approximately the same cycle rate due to logic built into the PLC (see Section 8, Electrical System).

### 9.2.1 Hydraulic Pressure Adjustment

A variable displacement pressure compensated feature maintains constant operating pressures even under variable flow demands. Dual pressure control is standard. Switching high to low pressure may be done at the control panel (or remotely) with the HI-LO switch that activates the solenoid valve (11). The HI pressure is set by adjusting the knob and the LO pressure is adjusted using a wrench on that relief cartridge (2). Turning the knob/adjusting the screw clockwise increases pressure.

**NOTE**

In order to remote select the pressure, the HI-LO switch should be set to the "HI" position.

**9.2.2 Hydraulic System Pressure Protection**

Besides the HI-LOW Pressure Control Valves, the hydraulic system pressure is limited by the main relief valve (3). The operating hydraulic pressure is indicated by hydraulic gage (4).

<b>Control</b>	<b>Valve</b>	<b>Pressure Adjustment</b>		<b>Hyd. Pressure Bar (psi)</b>	
		<b>Increase</b>	<b>Decrease</b>	<b>Maximum</b>	<b>Minimum</b>
High Pressure	1	Clockwise	Counterclockwise	207 (3,000)	1.7 (25)
Low Pressure	2	Clockwise	Counterclockwise	103 (1,500)	1.7 (25)
Main Relief	3	Fixed	Fixed	234 (3,400)	(Not applicable)

**NOTE**

Do not adjust the HI pressure control to pressures greater than 207 bar (3,000 psi). Doing so will cause the main relief to open limiting hydraulic pressure to 234 bar (3,400 psi). Also due to excessive opening of the main relief valve will result in significant wasted heating of the hydraulic oil, and the decrease of water flow performance.

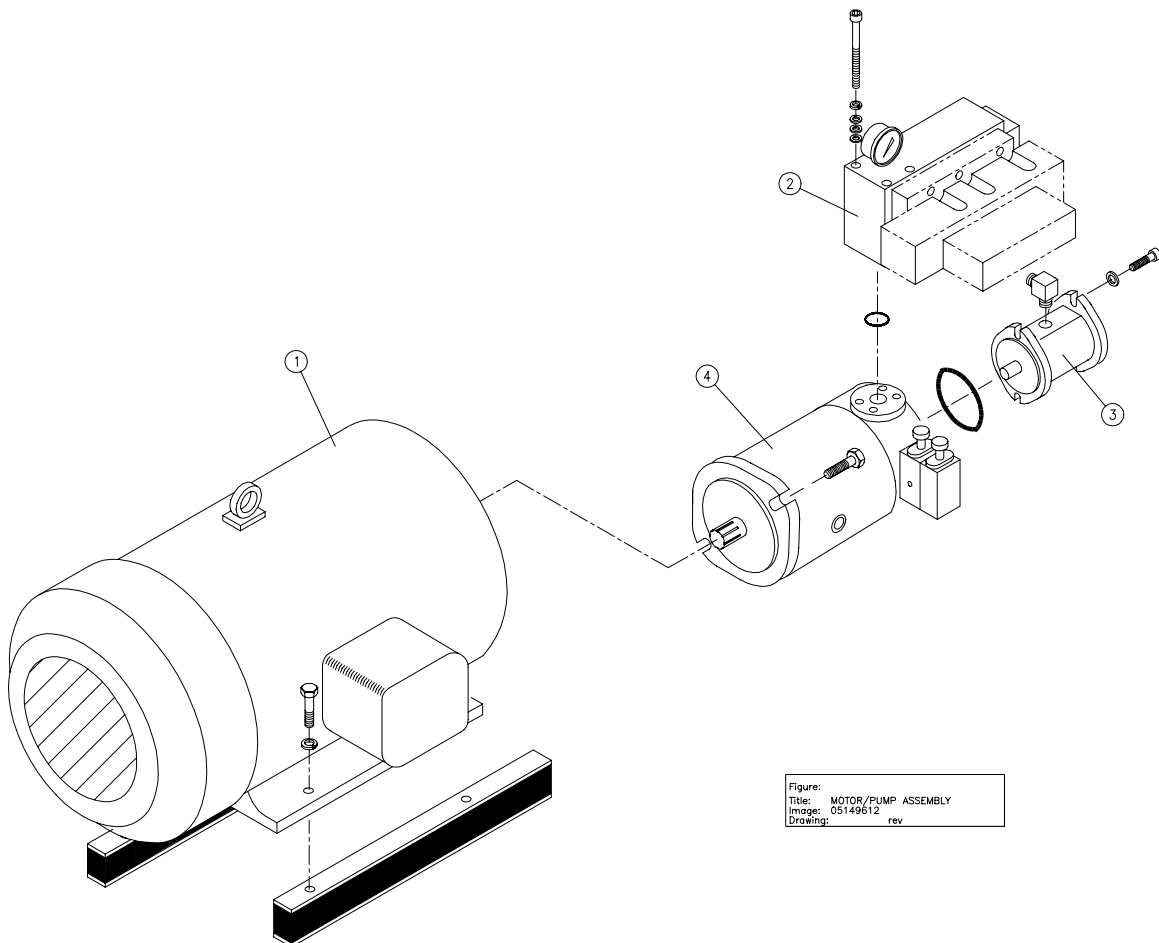
**9.3 Motor/Hydraulic Service Maintenance**

The hydraulic oil filter should be checked daily and replaced if the pressure gage reads over 40 psi. The hydraulic oil should be replaced every 2000 hours or yearly, whichever occurs first. For hydraulic oil and filter maintenance, see Section 10, **Recirculation System**.

The hydraulic system components that require periodic maintenance are the motor and the manifold. The motor needs to be serviced every 5000 hours of use. The operating pressure settings of the manifold needs to be checked daily and adjusted if necessary.

**Recommended Tools:** Manual Grease Gun  
Open End Wrench 14mm (9/16")  
Rags

**Parts:** Bearing Grease, SRI #2 or equivalent



**Item Description**

- |                    |              |                        |
|--------------------|--------------|------------------------|
| (1) Motor          | (2) Manifold | (3) Recirculation Pump |
| (4) Hydraulic Pump |              |                        |

**9.3.1 Motor Service**

1. Locate the two zerk fittings, they are located at each end of the motor, remove their plastic caps.
2. Apply one or two strokes of grease. Replace caps on zerk fittings.
3. Run motor a few minutes.

**9.3.2 Manifold Service**

1. Check operating pressure.
2. If pressure adjustment is necessary:
3. Adjust high pressure control valve. Turn locking nut counterclockwise, then turn the knob clockwise to increase pressure, counterclockwise to decrease.
4. Adjust low pressure control valve. Turn locking nut counterclockwise with open end wrench. Turn the hex clockwise to increase pressure, and counterclockwise to decrease. Lock in place with nut.

**9.3.3 Motor/ Pump Coupling – Spline Lubrication—**

(Recommended Annual Service Procedure)

Special Tools and Supplies:

- Optimal Spline Lubricant- (P/N 10184802)
- Cleaning Solvent
- Miscellaneous Wooden Blocks
- Shop Rags
- Spare Shaft Seal—(See Table Below)

<b>Shaft Seal Part No's -- Hydraulic Pumps</b>		
Model/ kW (hp)	Piston Pump Displacement (cc's/rev)	Shaft Seal – IRWJ Part No.
SL4/22 (30) & S30-OEM	45	05096011
SL4/37 (50)	71	05088083
SL4/75 (100)	140	49831159

- 1 Lock out electrical power to prevent inadvertent motor start
- 2 Unbolt motor vibration mounts from frame base plate (4 ea socket head cap screws).
- 3 Support hydraulic pump assembly while leaving all hose connections undisturbed. Use wooden blocks to support pump/ manifold assembly.
- 4 Remove bolts attaching piston main pump to electric motor.

- 5 Slide electric motor away from hydraulic pump package, revealing spline coupling.

Note: Additional clearance and access to the motor and pump splines can be had by pushing the pump assembly to the right. The main pump suction hose will limit movement to approximately 1-inch. It should not be necessary to disconnect any hydraulic hoses for this procedure.

Note: If additional clearance is required to separate motor and pump, unbolt electrical panel from KMT Waterjet pump frame (SL-IV/30/50/100hp). Remove 4 ea ½-in. nuts from studs holding electrical panel to end of frame. Move electrical panel 4-8 inches away from frame. Disconnecting of motor lead wires should not be necessary to perform this procedure. Note that wire ties holding the electrical control harness to the top pan should be removed to allow the electrical control panel.

- 6 Wipe residue from motor internal spline and from male pump splines. Avoid damage to shaft seal on hydraulic pump.
- 7 Inspect splines for unusual wear. Consult with KMT Waterjet Service if spline wear appears beyond limits.
- 8 Note presence of hydraulic oil or evidence of hydraulic leak in shaft cavity. If hydraulic leak is indicated, replace shaft seal.
- 9 Lubricate internal and male spline wear surfaces with Optimal grease. Cover mating spline surfaces sufficient to assure all metal- to-metal contact surfaces are lubricated.
- 10 Move motor and pump assembly together to re-engage splines. Install hex head cap screws through holes/slots in pump flange into motor face.
- 11 Reinstall motor mount socket head capscrews (4 ea).
- 12 Reinstall electrical panel to end of frame (if applicable).
- 13 Start motor, apply full HP water pressure, noting any unusual sounds from motor / pump assembly.
- 14 (Spline lube procedure complete)

**Section 10 RECIRCULATION SYSTEM****10 Recirculation System**

The recirculation system keeps the hydraulic oil at operating temperature while using the minimum amount of cooling water flow. The system also provides the necessary oil conditioning and filtration to maintain oil cleanliness. The conditioning of the hydraulic oil includes cooling it, cleaning it, and together with the hydraulic tank, removing air bubbles entrained in the oil due to agitation and turbulent flow in the main pump circuit.

**10.1 Components**

The cooling and filtration system (recirculation system) is equipped with the following:

- **Recirculation pump** (gear-type)–which receives oil from the oil tank
- **Heat exchanger** - cooling water is controlled by the water modulating valve
- **Oil filter assembly** - includes a gage to show the filter element condition. It also includes a bypass or relief valve, should the filter element be allowed to become entirely clogged with dirt/contaminants.

**10.2 Operation**

The recirculation pump (1) takes oil from the tank (6) and pumps it to the oil to water heat exchanger (3), then to the oil filter (5) and back to the tank.

Condition of the hydraulic filter is determined by analyzing gage pressure. It should be read when both the water jet pump is running and the oil temperature is approximately 115°F. Oil fill port must be used when pumping oil into tank to assure cleanliness. By filling at this point, the hydraulic oil must pass through the hydraulic filter to get to the hydraulic tank, guaranteeing that the oil into the tank gets at least one pass through a good filter.



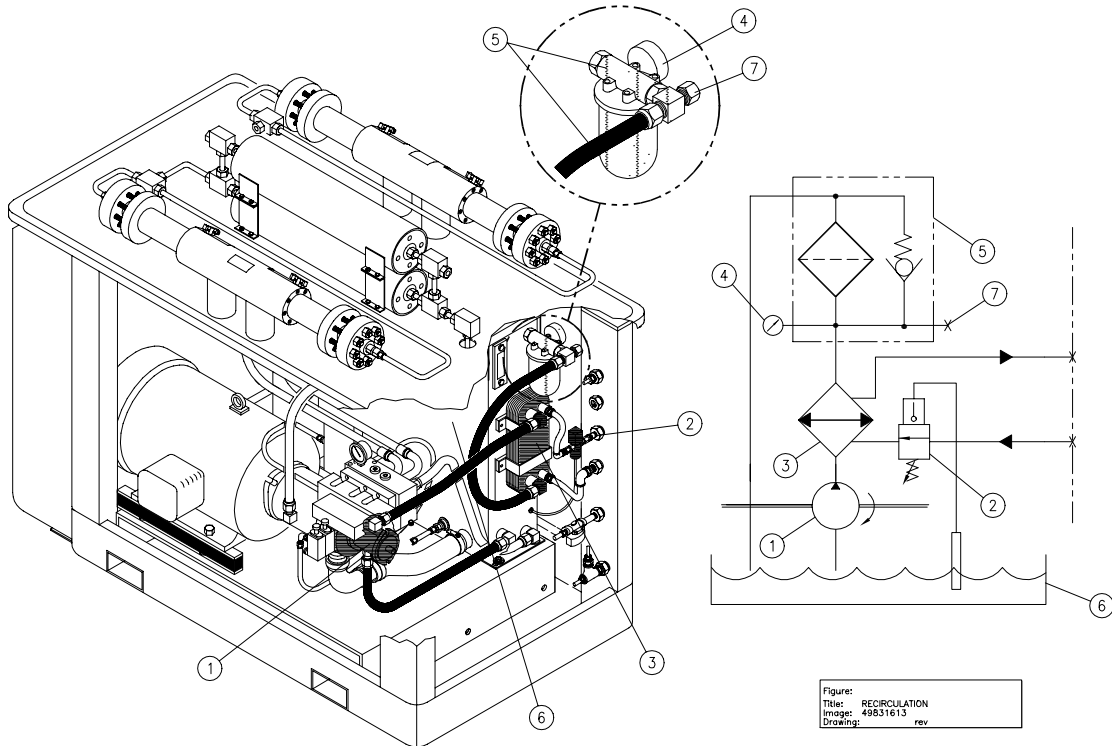


Figure: RECIRCULATION  
Title: 49831613  
Image: rev  
Drawing: rev

**Item Description**

- |                        |                            |                        |
|------------------------|----------------------------|------------------------|
| (1) Recirculation Pump | (2) Water Modulating Valve | (3) Heat Exchanger     |
| (4) Pressure Gage      | (5) Oil Filter             | (6) Hydraulic Oil Tank |
| (7) Oil Fill Cap       |                            |                        |

**Operating Temperature Adjustment**

The operating temperature is adjusted by turning the water modulating valve (2) adjusting knob with a flat blade screwdriver. Clockwise increases the oil temperature.

The water modulating valve regulates the cooling flow that enters at port “D” to the heat exchanger (3) and then discharges through port “C” to the drain.

The operating oil temperature is factory set at 46°C (115°F) based on the temperature and flow of cooling water at the factory. Field adjustment may be necessary.

**10.3 System Pressure Protection**

System pressurization over 4.2 bar (60 psi) is prevented by a relief valve located on filter head (5).

Control	Valve	Adjustment		Setting	
		Increase	Decrease	Maximum	Minimum
Oil Temperature	2	Clockwise	Counter-clockwise	52°C (125° F)	41°C (110°F)
Oil Pressure	8	Fixed	Fixed	4.2 bar (60 psi)	3.8 bar (55 psi)

**10.4 Maintenance Overview**

During normal operating condition, the oil will be maintained at the correct operating temperature.

In order to get the best value from the hydraulic system (including the recirculation system) one should change the filter element when it indicates that it is time. The hydraulic oil should be changed at intervals recommended in the scheduled maintenance table, section 4.1 or whenever a fluid sample indicates that it is contaminated and beyond being fixed by simply operating the filter.

**Parts:** Hydraulic Oil:  
 General service, use Mobil #DTE Heavy Medium, No. 021029 (Part 05022702)  
 Food service, use Conoco AA-20 (Part 49835762)  
 Oil with additives such as zinc diophosphate for antiwear are not recommended because of reaction with water.

**Tools:** Open End Wrench, 1-1/4"  
 Rags  
 Container to collect oil  
 Oil transfer pump with 3/4" hoses. Inlet hose with 1/2" male pipe connector, and pump discharge hose with 3/4" female JIC connector.

**Oil Filter**

Replace filter element when the pressure reading is 1.4 bar (20psi) above normal when at operating temperature. Maximum normal pressure is 1.7 bar (25psi).

**Components:** (1) Oil Filter Head  
(2) Element  
(3) Pressure Gage

**Parts:** Element

**Tools:** Filter Wrench  
Rags  
Container to collect oil spills

**Replace Oil Filter**

1. Unscrew element from filter head with the filter wrench.
2. Oil gasket of new element.
3. Screw new element on head.
4. Start pump and check for leaks.

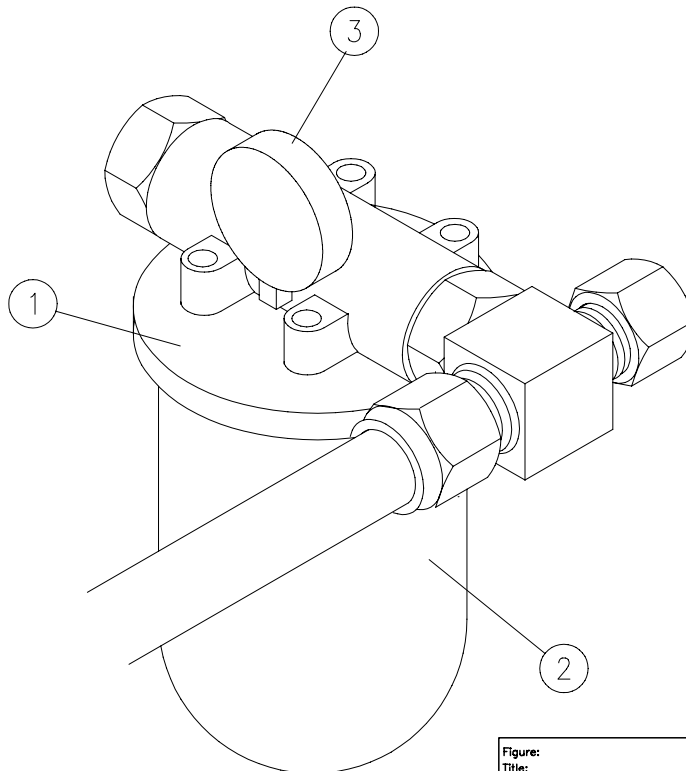


Figure:  
Title:  
Image: 05118229  
Drawing: 05110960 rev

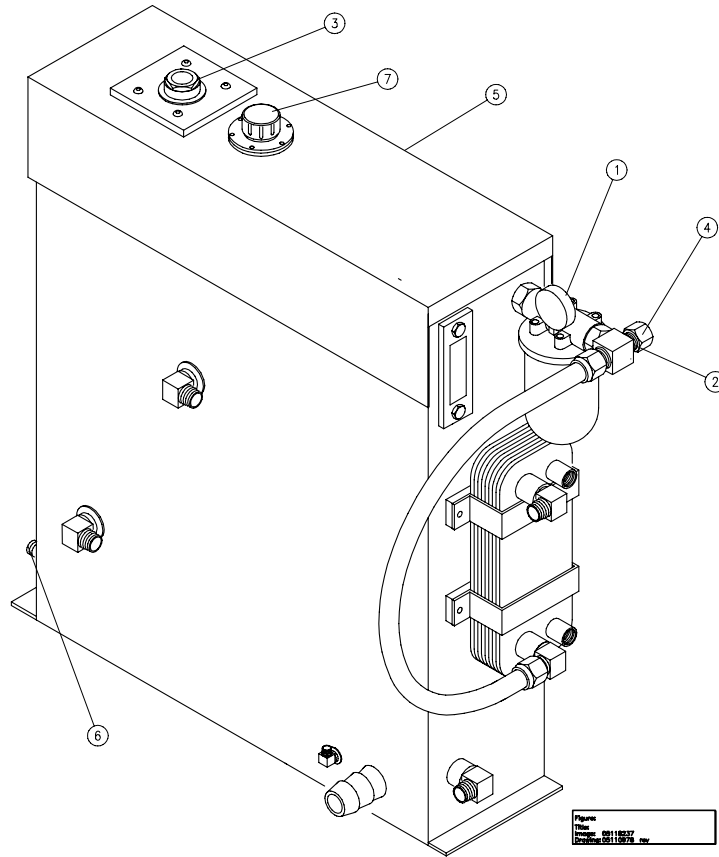
**Oil Tank**

The oil tank is equipped with the following:

- Visual temperature and level indicator
- Air breather and filter that prevents dirt from being sucked into the tank whenever the oil level drops, then allows air to escape when the level rises
- Drain valve, and
- Fill components.

The fill components consists of the Oil Filter Head, Fill Port, and the Fill Port Cap.

The breather is not a fill component, and must not be used as a fill point.



**Item Description**

- |                       |                    |                        |
|-----------------------|--------------------|------------------------|
| (1) Filter Assembly   | (2) Oil Fill Port  | (3) Temperature Sensor |
| (4) Oil Fill Port Cap | (5) Oil Tank Cover | (6) Shut-Off Valve     |
| (7) Breather          |                    |                        |

**Replace Hydraulic Oil**

1. Drain the tank, by connecting the inlet hose of the oil transfer pump to the drain valve. Open valve and pump oil to container.
2. Close hand valve, remove oil transfer pump inlet hose from hand valve.

**NOTE**

Never assume a new drum of oil is free of damaging contaminants. Typically, oil from a new drum does not meet the hydraulic system cleanliness requirements. For this reason it is important to use the oil transfer pump, which forces oil through the return filter into the tank.

3. Remove cap from fill port.
4. Connect oil transfer pump discharge to fill port. This will assure clean filtered oil is pumped into the tank.

**CAUTION**

Oil must be filtered through an equivalent filter such as a 10 micron filter element or see filter element in figure 12 in section 12. Failure to do so will cause damage to the primary hydraulic components, voiding the warranty.

5. Check oil sight gage to assure proper fill level. Remove hose, cap fill port.
6. Remove the plug of the main hydraulic pump case and make sure the case fills with oil. With the plug removed, head pressure from the tank (reservoir) will force oil into the pump case.
7. Run pump following initial start-up procedure. This will assure the system is filled.
8. Check oil sight gage. Add oil if necessary.
9. Disconnect oil transfer pump discharge hose, install fill port cap.

**CAUTION**

Failure to fill the pump case with oil will damage the pump due to air becoming trapped inside.

**SECTION 11 SPECIFICATIONS**

**11 Specifications**

Following are the specifications for the KMT Waterjet SLIV Plus Waterjet Pump. Included are the specifications for the equipment, torque, cutting water, cooling water, and the maximum quantity of orifices that can be supported. 30hp and 50hp power units are listed.

**11.1 Equipment Specifications**

<b>SL-IV Waterjet Pump Size</b>	22 (30)	37 (50)	kW (hp)
<b>Installation location</b>	Indoors	Indoors	
-Air borne dust/contaminants	Minimal	Minimal	
<b>Ambient temperature</b>			
-Minimum storage	2(36)	2(36)	°C(°F)
-Minimum operating	5(40)	5(40)	°C(°F)
-Maximum operating	40(104)	40(104)	°C(°F) (see note [1])
<b>Maximum Relative Humidity</b>			(see note [2])
-At Maximum Operating Temp.	95%	95%	
<b>Electrical</b>			(see note [3])
-Motor type	TEFC	TEFC	(see note [4])
<b>Voltage / Service Amps</b>	200/3/50	92	150
	208/3/60	88	144
	240/3/60	80	130
	400/3/50	46	75
	415/3/50	44	72
	480/3/60	40	65
	575/3/60	32	52
<b>Sound Level</b>	72.5	72.5	dB(A) (see note [5])
(Note: Specifications listed below apply equally to 30 hp and 50 hp models)			
<b>Controls</b>			
-Voltage	24		volts, DC
-Power Supply	10		amps, DC
-Safety shutdown switch settings			
High oil temperature	62 (144)		°C (°F)
Low inlet water pressure	2 (30)		bar (psi)
Low oil level	80 (21)		l (gal).
Booster pump overheat	53 (128)		°C (°F) (see note [5])
Low booster pressure	4 (60)		bar (psi)
<b>Hydraulic System</b>			
-Oil tank capacity	106 (28)		l (gal)
-Recommended oil type			
Regular applications	Mobil, DTE Heavy Medium, # 021029 (IR # 05022702)		
Food applications	Conoco AA-20 (IR # 49835762)		
-Hydraulic oil operation			
Minimum temperature	15(60)	15(60)	°C(°F)
Maximum temperature	65(150)	65(150)	°C(°F)

- Note** [1]: Based on motor nameplate data, oil temperature must be maintained within operating specifications.
- [2]: When relative humidity is above 50%, frequently check oil in tank for water content.
- [3]: Not all motor voltages are readily available, check with factory for availability.
- [4]: Totally enclosed fan cooled.
- [5]: Sound level per TUV report DE1-I-9047401.

<b>SL-IV Waterjet Pump Size</b>	22 (30)	37 (50)	kW (hp)
Optimum temperature	46(115)	46(115)	°C(°F)
Hot oil shutdown	62(144)	62(144)	°C(°F)
Fluid Filtration Rating	Beta 10 >/= 100		Note [6]
Fluid Cleanliness Level	17/14		Note [7]
<b>-Hydraulic Pump Type</b>	Piston		
Displacement	Variable		
Pressure	Compensated		
Flow rate	65(17)		l/min(gpm)
<b>-Hydraulic Hi-Lo Settings (factory)</b>			
Lo pressure	34 (500)		bar (psi)
Hi pressure	206 (3000)		bar (psi)
<b>-Hydraulic oil cooling</b>			
Total heat rejection	3.7 (5.0)	7.4 (10)	kW (hp)
Cooling fluid requirements at inlet fluid temperature	18 (65)		°C (°F)
Maximum cooling flow	3.8 (1.0)	7.57(2.0)	l/min (gpm)
Maximum inlet pressure	6.9(100)		bar (psi)
Pressure drop	2 (30)		bar (psi)
<b>Cutting Water "IN"</b>			
-Minimum inlet pressure	2.4 (35)		bar (psi)
-Maximum inlet pressure	7 (100)		bar (psi)
-Maximum outlet pressure	8.3(120)		bar (psi)
-Maximum inlet temperature	29(85)		°C (°F)
-Optimum inlet temperature	18(65)		°C (°F)
-Factory Booster Pump Settings			
Inlet Pressure	4 (58)		bar (psi)
Outlet Pressure Set at	8.3(120)		bar (psi) (see Note [8])
<b>Cutting Water Out</b>			
-Maximum flow rate	2.4 (0.63)	3.8 (1.0)	l/min(gpm) @ 55,000
	2.2 (0.58)	3.4(0.9)	l/min(gpm) @ 60,000
(Note: Specifications listed below apply equally to 30 hp and 50 hp models)			
-Minimum outlet pressure	345 (5,000)		bar (psi)
-Maximum cont. outlet pressure (Q-series)	3,800 (55,000)		bar (psi)
(T-series)	4,100 (60,000)		bar (psi)
<b>Compressed Air</b>			
-Flow rate maximum	0.028 (1.0)		m <sup>3</sup> /min(cfm)
-Inlet pressure range	75-85 (5-6)		bar (psi)
<b>Service Connections</b>			
-Cutting water in	1/2" NPT		60,000 psi HP fitting
-Cutting water out	9/16"		
-Cooling water in	1/2" NPT		
-Cooling water out	1/2" NPT		
-Plant air in	1/4" NPT		
-Cutting water drain	1/2" NPT		
-Oil tank drain valve	1/2" NPT		
-Oil tank fill port	3/4" male JIC		



Note [6]: Beta filtration rating—There are 100 particles per ml larger than 10 microns upstream of the filter for each particle (per ml) greater than 10 microns downstream of the filter.

Note [7]: ISO-4406 fluid cleanliness ratings—17 ~ < 1,300 particles per ml > 25 microns  
// 14 ~ < 160 particles per ml > 15 microns.

Note [8]: Booster pump discharge pressure is dependent on inlet pressure.

**11.2 Torque Specifications**

Recommended Torque Values–Hydraulic Intensifier and HP Connections



Do not exceed torque values, excess torque can cause component damage or failure with potential hazards to equipment and personnel.

<b>Item</b>	<b>Torque Nm (ft-Lb)</b>	<b>Wrench mm (inch)</b>
Hydraulic Intensifier		
Hydraulic Cylinder		
End bell bolt	200(145)	M12 hex
Proximity switch	17(13)	M5 hex
Flange Stud Nuts	271 (200)	(1-7/16) socket*
Seal Head		
Gland Nut	176(130)	30 (1-3/16) Crowfoot
HP Tubing Nut	67(50)	(13/16) Crowfoot
Pneumatic Valve		
3/8" Inlet	67(50)	(13/16) Crowfoot
1/4" Outlet	34(25)	(5/8) Crowfoot
H P Fitting Gland Nuts		
1/4" Nut	34(25)	(5/8) Crowfoot
3/8" Nut	67(50)	(13/16) Crowfoot
9/16" Nut	149(110)	(1-3/16) Crowfoot

\*See Section 7 for complete tightening procedure.

**NOTE**

Measurements are made with lubricated components and a calibrated torque wrench. Inconsistencies in wrench settings, lubrication, and technique, may not produce a leak tight seal. If leakage persists, increase the torque until the components seal, do not exceed a value 15% greater than shown. If leakage persists there is a component problem. **EXCESSIVE TORQUE MAY DAMAGE OR REDUCE THE LIFE OF COMPONENTS.**

Use of an antiseize thread lubricant, like High Purity Goop (KMT Waterjet P/N 10084440) is highly recommended for tightening of stainless steel HP water fittings.

A torque wrench kit is available from KMT Waterjet. (KMT Waterjet P/N 49895436).

### 11.3 Cutting Water Specifications

The cutting water supply to the waterjet pump must meet the following specifications. High concentration of dissolved solids, especially calcium, silica, and chlorides, will affect high pressure component life. A water analysis will indicate the type of water treatment necessary.

<b>Water Quality Parameters</b>	<b>Minimum Requirement</b>	<b>Better</b>	<b>Best</b>
Alkalinity (mg/l)	50	25	10
Calcium (mg/l)	25	5	0.5
Carbon Dioxide (mg/l)	0	0	0
Chloride as Cl (mg/l)	15	1	0.1
Free Chlorine (mg/l)	0.05	0.05	0.05
Iron as Fe (mg/l)	0.2	0.1	0.01
Magnesium as Mg (mg/l)	0.5	0.1	0.1
Manganese as Mn (mg/l)	0.1	0.1	0.1
Nitrate (mg/l)	25	25	10
Oxygen (mg/l)	2	1	0.1
pH Value	6.5 - 8.5	6.5 - 8.5	6.5 - 8.5
Silica (mg/l)	15	10	1
Sodium (mg/l)	50	10	1
Sulfate (mg/l)	25	25	1
Total Dissolved Solids (mg/l)	200	100	5*
Total Hardness as CaCO <sub>3</sub> (mg/l)	25	15	1
Turbidity (NTU)	5	5	1

\* Do not reduce beyond this amount or the water will become too aggressive.

### 11.4 Cooling Water Specifications

Depending on the type of cooling system (closed recirculation, once through, etc.), the following common problems can be experienced:

**Closed recirculation:**

- Corrosion
- Fouling

**Once through:**

- Corrosion
- Fouling
- Scale
- Microbiological

Scale control is the most common problem, and is the result of insoluble matter deposited on the heat transfer surface. Calcium carbonate is the primary cause of scale when calcium bicarbonate breaks down. As the temperature of the water increases it becomes less able to hold carbonates in suspension.

To predict the tendency of scale formation, the Langelier's saturation index can be used as a guide.

Saturation Index = pH-pH<sub>s</sub> where pH<sub>s</sub> is calculated at saturation with calcium carbonate.

A positive index indicates a tendency to deposit calcium carbonate, the higher the positive value, the higher the scale formation. A zero index corresponds to water that is in equilibrium with respect to calcium carbonate.

### 11.5 Orifice Support Capacity

The SL-IV Waterjet Pump supplies high pressure (HP) water up to 3,800 bar (55,000 psi). The following table shows size, ratings, and maximum quantity of orifices that can be supported.

Rated power kW(hp)	Pressure Bar (Psi)	Flow lpm (gpm)	Qty of Orifice by size [1]						
			14	13	11	10	9	7	5
22 (30)	3,800 (55,000)	2.4 (0.63)	-	-	1	-	-	2	4
22 (30)	4,100 (60,000)	2.2 (0.58)	-	-	-	1	-	2	4
37 (50)	3,800 (55,000)	3.8 (1.0)	1	-	-	2	-	4	7
37 (50)	4,100 (60,000)	3.4 (0.9)	-	1	1	1	2	3	6

Note [1]: Orifice sizes: See below

Nom. Orif Size	5	7	9	10	11	13	14
in.	.005	.007	.009	.010	.011	.013	.014
mm	.12	.17	.22	.25	.28	.33	.35

**PARTS LISTS**

**For:**

**SL-IV PLUS CONTROLS  
30 HP  
240V, 60 Hz  
High Pressure Waterjet Pump**

To contact the KMT Waterjet Spare Parts Department:

**USA** Parts Department  
KMT  
Waterjet Systems  
635 West 12<sup>th</sup> Street / POB 231  
Baxter Springs, KS 66713-0231  
USA  
Phone: (800) 826-9274  
Fax: (620) 856-5050

**Europe:** Spare Parts Manager  
KMT Waterjet Systems GmbH  
Wasserstrahl-Schneidetechnik  
Auf der Laukert 11  
D-61231 Bad Nauheim  
Germany  
Phone: 49-(0)6032-997-115  
Fax: 49-(0)6032-997-271

**SECTION 12 PARTS LISTS  
SL-IV plus**

**12.1 General**

This section contains parts lists for service procedures and part identification, along with electrical and plumbing schematics of the SL-IV plus Waterjet Pump. The reader can use these parts lists to identify the part on a drawing, then find the part number and part description corresponding to the drawing balloon number. Replacement parts can be ordered with this part number information.

**12.2 Part Nomenclature**

The following abbreviations and numerical sizes are used for part descriptions in these parts lists:

**Table 12-1 Part Description Abbreviations and Nominal Size Guide**

<b>Item</b>	<b>Description</b>	<b>Item</b>	<b>Description</b>
Assy	Assembly	mm sq.	Square millimeters
1/4, 9/16, 3/4	Nominal sizes in fractions of an inch, eg, 1/2 NPT ~ 0.50-inch national pipe thread, or 9/16 HP tube ~ 0.56-inch OD HP tubing or tube fitting	JIC	37-degree flared, threaded Hydraulic fitting, JIC standard, typically used on Hydraulic hose end connections.
Hydr	Hydraulic	Dia	Diameter
ID or OD	Inside diameter or outside diameter	Deg	Degree
psi or ksi	Pounds per square inch or thousands of pounds per square inch	-4,-8,-12	Hydraulic fitting nominal size, in 1/16 th's of an inch, eg, 1/2 OD tube ~ -8
HP and hp	HP: High Pressure, hp: horsepower	NO or NC	Normally open or normally closed
SAE O-ring	O-ring threaded port style, SAE standard		

<b>Fig #</b>	<b>Figure Title</b>	<b>Part Number</b>	<b>Page #</b>
12-1	Waterjet Pump	80070600	12-5
12-2	Intensifier Assembly	05119169	12-7
12-3	Seal Head Assembly	05116769	12-9
12-4	Hydraulic Piston	05132253	12-11
12-5	Hydraulic Cartridge	05130091	12-13
12-6	Hydraulic Plumbing Assembly	05100326	12-15
12-7	High Pressure Piping	80070279	12-17
12-8	Hydraulic Manifold Assembly	05071766	12-19
12-9	Bulkhead Piping	80070295	12-21
12-10	Pneumatic Valve Assembly	05069703	12-23
12-11	Low Pressure Filter Assembly	05140009	12-25
12-12	Hydraulic Power Unit	49834930	12-27
12-13	Motor/Pump Assembly	05086012	12-29
12-14	Reservoir Assembly	05041660	12-31
12-15	Top cover Assembly	05124920	12-33
12-16	Electrical Assembly	80070626	12-35
12-17	Control Panel Configuration	80070667	12-37
12-18	Controls Subassembly	49836620	12-39
	Electrical Schematic, Full Volume	80070642	
	Electrical Schematic, Y-Delta	49836604	
	Hydraulic Schematic	05071972	

**Figure 12-1. HP WATERJET PUMP 80070600**

<b>ITEM No.</b>	<b>QTY.</b>	<b>PART No.</b>	<b>DESCRIPTION</b>
1	1	80070626	Electrical Assembly
2	1	80070295	Bulkhead Pipe Assembly
3	1	05143714	Frame Assembly
4	1	05141660	Reservoir Assembly
5	1	80070279	HP Water Assembly
6	1	49834930	Hydraulic Power Package
7	1	05100326	Hydraulic Hose Connections
8	--	05022702	Hydraulic Fluid
9	1	49834864	Decal Kit
10	-	05072582	Striping
11	-	05072590	Striping
12	1	05124920	Cover Assembly
13	4	05059605	Spring
14	4	05090857	Spring Bracket
15	4	05072293	Spring Bracket
16	8	95099024	Button Head Screw, #10-24 x 3/8
17	8	95367728	Lock Washer, #10
18	8	95367207	Washer, #10
19	1	05128087	Start-Up Tag



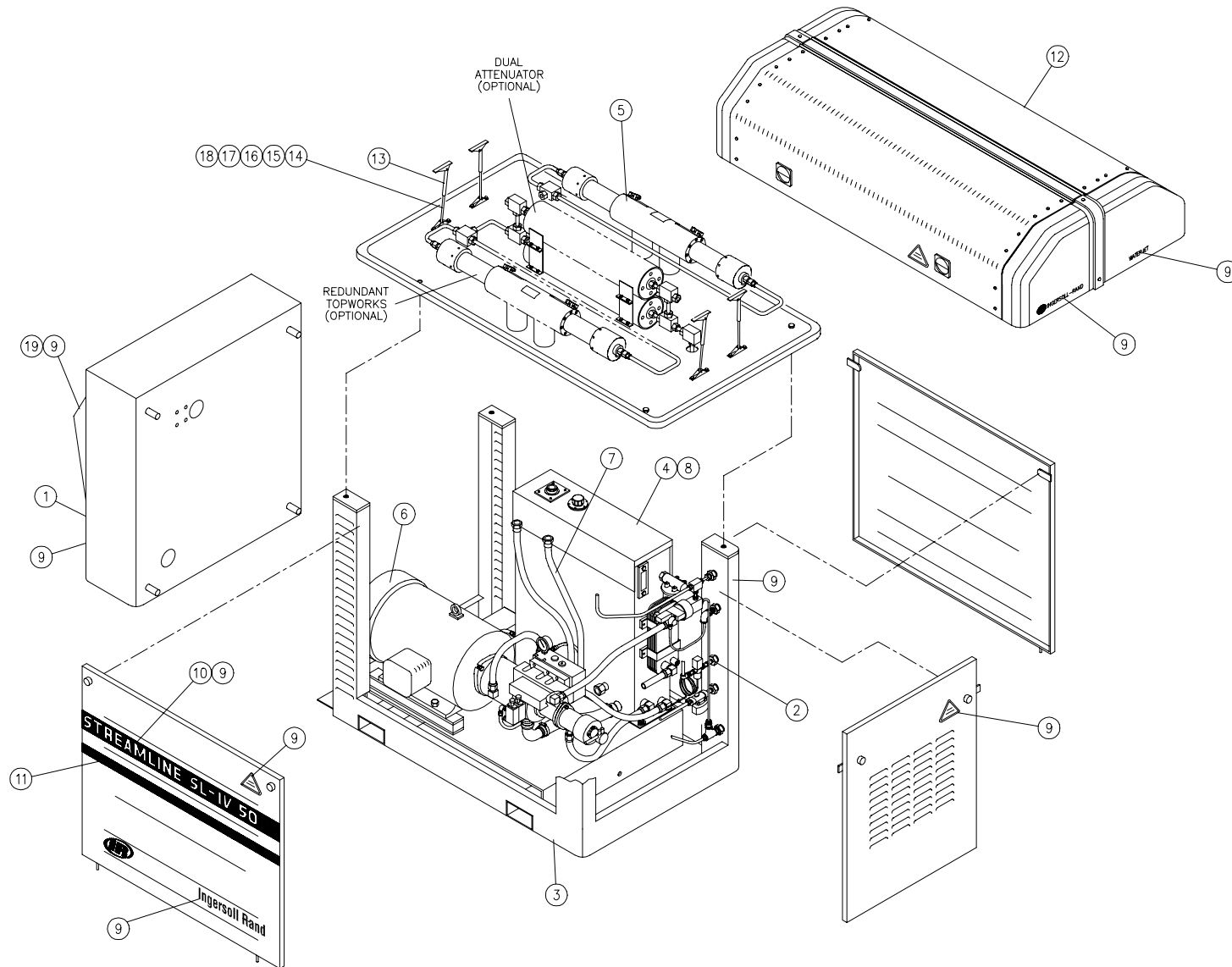


Figure:  
Title: SLIV K INTENSIFIER UNIT  
Image: 49838998  
Drawing: 80070600D rev

**Figure 12-2 HYDRAULIC INTENSIFIER ASSEMBLY 05119169**

<b>ITEM No.</b>	<b>QTY.</b>	<b>PART No.</b>	<b>DESCRIPTION</b>
1	2	05059712	Body, Cylinder, HP, 1.13-in. ID
2	2	05119151	Plunger, Ceramic, 1-Piece
3	2	05116769	Sealing Head Assembly
4	2	05034772	Head, Cylinder
5	2	05133145	Seal Assembly-J5
6	2	10110393	Seal Assy, Sealing Head
7	2	05059688	Nut, Retaining, Sealing Head
8	2	05130091	Seal Assembly, Plunger, Cartridge, Hydraulic
9	2	05007786	Flange, Retaining, Bushing
11	2	05132246	Liner, HP Cylinder, Acetal
12	4	10074904	O-ring
13	2	10110401	Collar, LP Water, Sealing Head
14	2	05034798	Ring, Retaining
15	1	05034764	Cylinder, Hydraulic
16	2	10075000	O-ring
17	2	05034855	Ring, Backup
18	16	05141106	Cap Screw, Socket Head, M14 x 60
19	2	05127584	Switch, Proximity, 20-250 VAC/VDC
20	4	10183572	Cap Screw, Socket Head, M6 x 1 x 30mm, 316/304 Stainless
21	1	05132253	Piston Assembly, Hydraulic
23	2	05049812	Stem, Mounting, Hydraulic Cylinder
25	8	05079652	Cap Screw, Socket head, M10 x 1.5 x 85mm, Grade 12.6
26	8	05061486	Washer, Lock, High Collar, M10, Stainless
27	2	10074409	O-ring
28	2	05065172	Spacer, Proximity Switch
29	2	05081872	Gasket, Drip Pan, Upper
30	*	10148674	Special Tool, HP Seal Removal (Not Shown)
31	*	05066139	Special Tool, Wrench, HP Cylinder (Not Shown)
32	*	05004924	Special Tool, Plunger Removal (Not Shown)

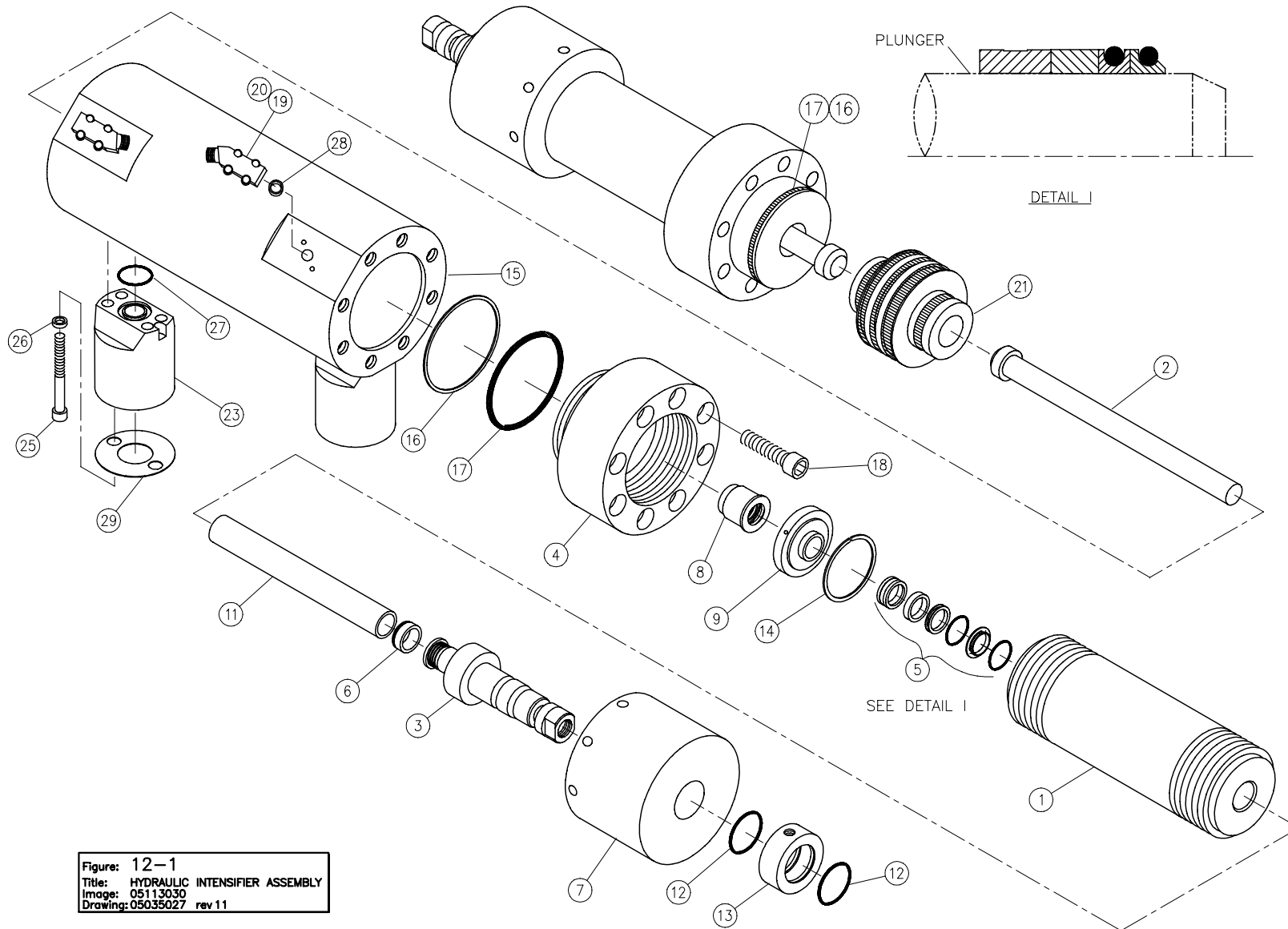


Figure: 12-1  
 Title: HYDRAULIC INTENSIFIER ASSEMBLY  
 Image: 05113030  
 Drawing: 05035027 rev 11

**Figure 12-3. SEALING HEAD ASSEMBLY 05116769**

<b>ITEM No.</b>	<b>QTY</b>	<b>PART No.</b>	<b>DESCRIPTION</b>
1	1	10106417	Body, Sealing Head
2	1	10107894	Poppet, Inlet, Cutting Water
3	1	05116777	Gland, HP, Sealing Head
4	1	05112768	Seat, HP, Sealing Head
5	1	49884562	Spring, Compression
6	1	05116561	Poppet, Valve, HP Check
7	1	05116751	Pin, Guide
8	1	10118552	Retainer, Poppet
9	1	AV500260	Spring, Compression
10	1	05049853	O-ring

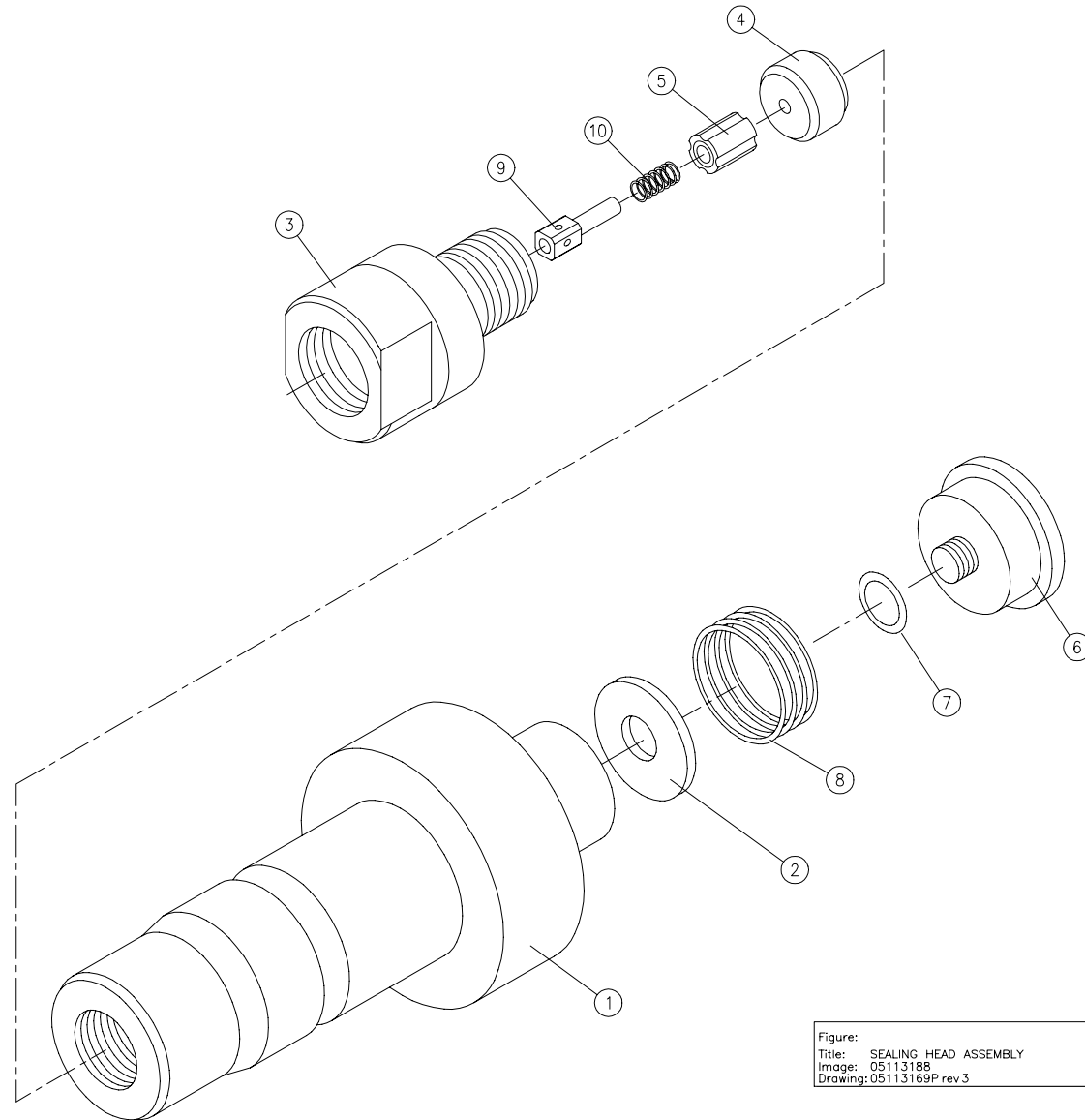
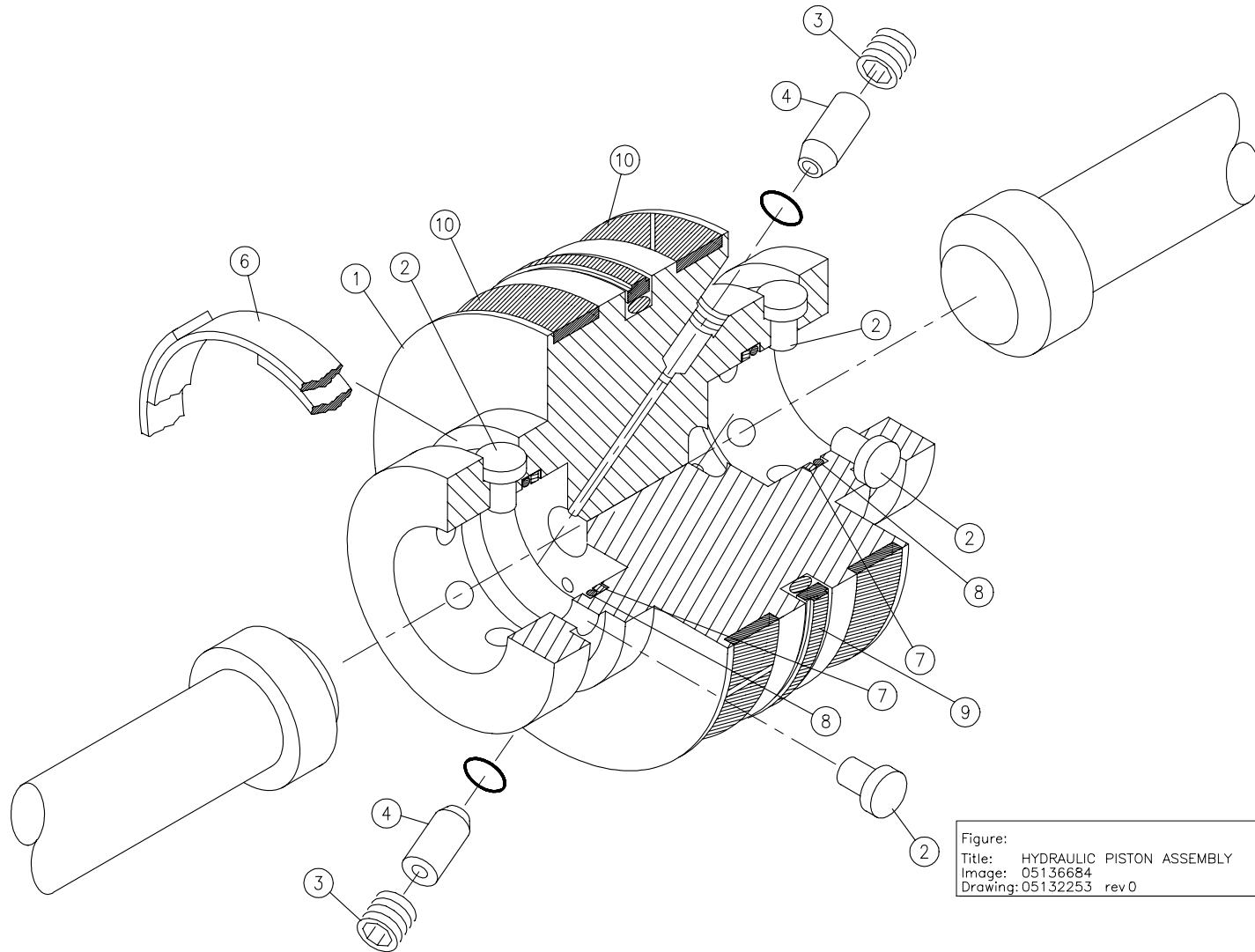


Figure:  
Title: SEALING HEAD ASSEMBLY  
Image: 05113188  
Drawing: 05113169P rev 3

**Figure 12-4 HYDRAULIC PISTON ASSEMBLY 05132253**

<b>ITEM No.</b>	<b>QTY</b>	<b>PART No.</b>	<b>DESCRIPTION</b>
1	1	05132261	Body, Hydraulic Piston
2	12	05074380	Pin, Clevis
3	2	05049887	Screw, Set, Socket, with Through Hole
4	2	10148757	Valve, Check, Cartridge, with O-ring
5	--	49877509	Adhesive, Thread Locker
6	2	05088364	Ring, Snap, Flat Wire
7	2	05049994	Ring, Backup
8	2	05087713	O-ring
9	1	05117965	Seal Assembly, Hydraulic Piston
10	2	05117940	Bearing, Hydraulic Piston



**Figure 12-5 HYDRAULIC CARTRIDGE SEAL ASSEMBLY 05130091**

<b>ITEM No.</b>	<b>QTY</b>	<b>PART No.</b>	<b>DESCRIPTION</b>
1	1	05130109	Body, Seal, Cartridge
2	2	05015060	Seal, U-Cup, with O-ring
3	1	10193522	O-ring
4	1	05050760	Ring, Backup
5	1	05129481	O-ring
6	1	05013024	O-ring
7	1	05129515	Back-up Ring
8	1	05027255	Seal, U-Cup
Ref 1	0	05015136	Tool, Seal Smoothing
Ref 2	0	05009048	Tool, Seal Installation



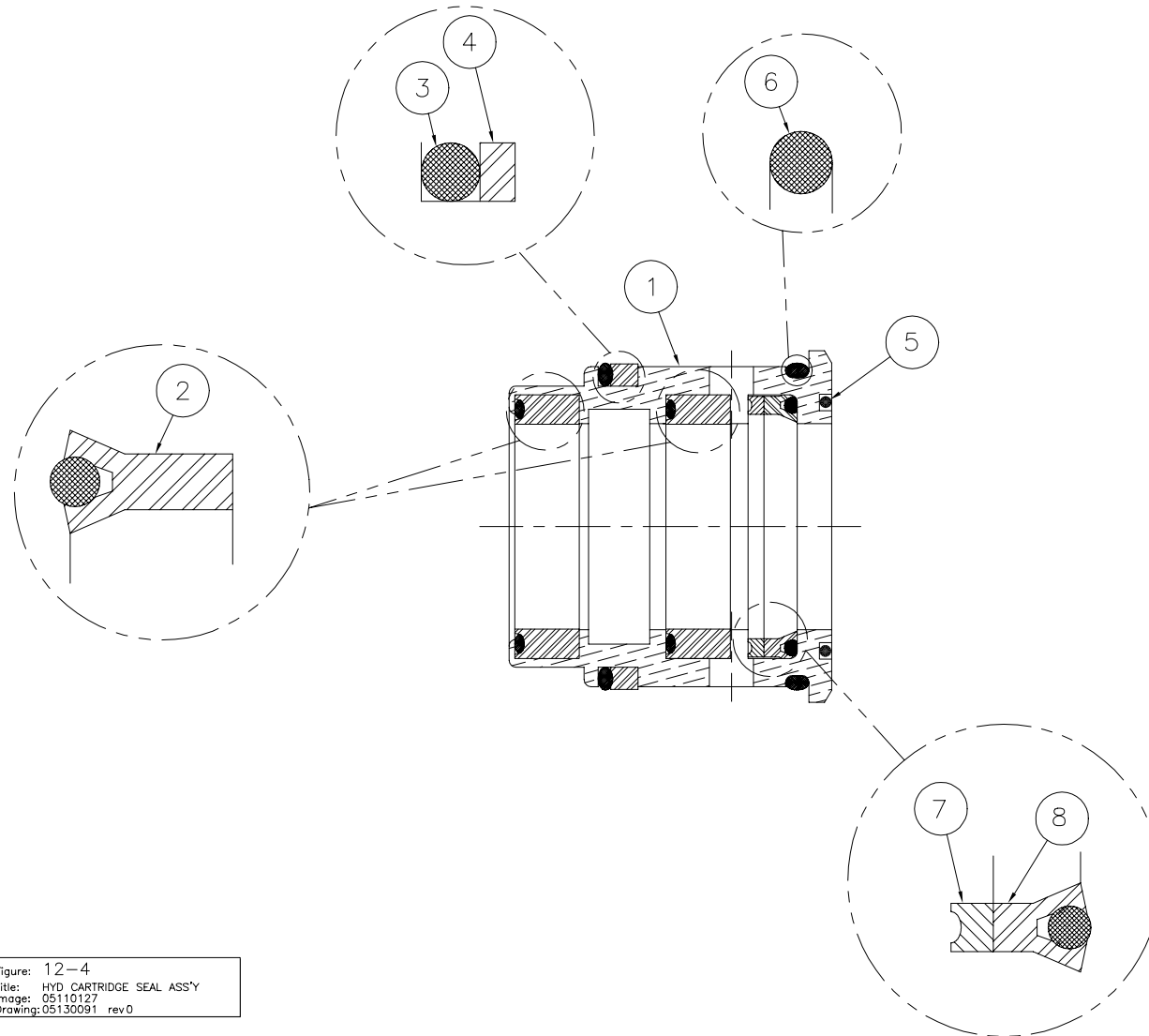
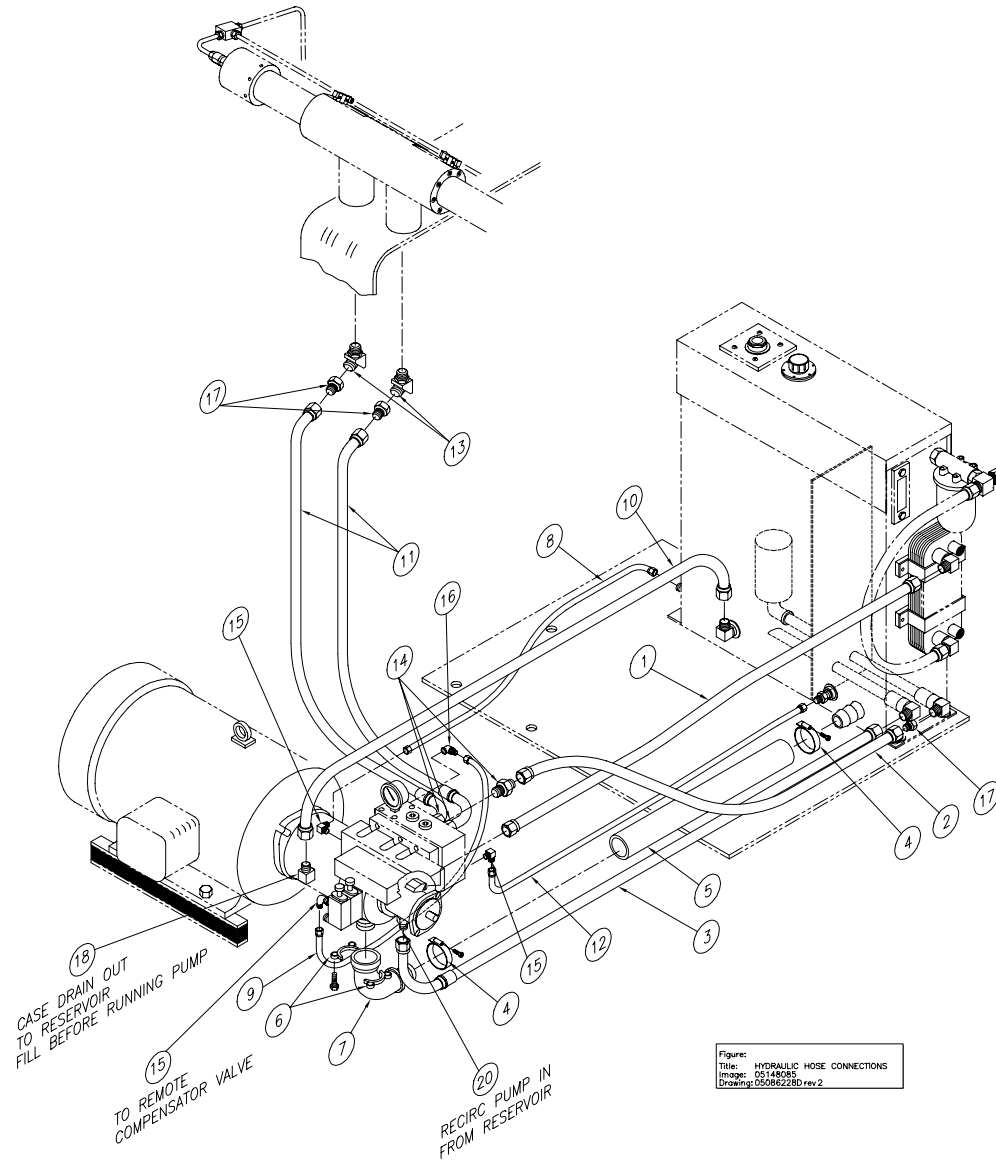


Figure: 12-4  
Title: HYD CARTRIDGE SEAL ASS'Y  
Image: 05110127  
Drawing: 05130091 rev 0

**FIGURE 12-6 HYDRAULIC PLUMBING 05100326**

<b>ITEM No</b>	<b>QTY</b>	<b>PART No.</b>	<b>DESCRIPTION</b>
1	1	05060744	Hose Assembly, Hydraulic, .75" ID, -12 JIC Swivel, Both Ends, 17.5"
2	1	05089883	Hose Assembly, Hydraulic, .50" ID, -12 JIC Swivel, Both Ends, 19"
3	1	05090931	Hose Assembly, Hydraulic, .75" ID, -12 JIC Swivel, Both Ends, 17"
4	2	10183517	Hose Clamp
5	6.3"	10179018	Radiator Hose, 2.00"
6	1	05086202	Split Flange Kit, 2.00"
7	1	05086210	Split Flange Elbow,
8	11	05051214	Hose Assembly, Hydraulic, .25" ID, -4 JIC Swivel, Both Ends, 39"
9	1	05060751	Hose Assembly, Hydraulic, .25" ID, -4 JIC Swivel, Both Ends, 32"
10	1	05049713	Hose Assembly, Hydraulic, .75" ID, -12 JIC Swivel, Both Ends, 27"
11	2	05100334	Hose Assembly, Hydraulic, .50" ID, -12 JIC 90-deg x -12 JIC Swivel
12	1	05071121	Hose Assembly, Hydraulic, .25" ID, -4 JIC Swivel, Both Ends, 18"
13	2	05052493	Elbow, 45 Degree, -12 JIC x -10 SAE O-ring, Steel
14	2	05089867	Adapter, Straight, -8 JIC x -12 SAE O-ring, Steel
15	3	10142644	Adapter, 90-deg, -4 JIC x -4 SAE O-ring, Steel
16	1	10144749	Adapter, 45-deg, -4 JIC x -4 SAE O-ring, Steel
17	1	05089891	Reducer, Tube End, 12-8
18	1	05050331	Elbow, 90 Degree, -12 JIC x -10 SAE O-ring, Steel
20	1	10142594	Adapter, Straight, -12 JIC x -16 SAE O-ring, Steel



**FIGURE 12-7. HIGH PRESSURE PIPING 80070279**

<b>ITEM No</b>	<b>QTY</b>	<b>PART No.</b>	<b>DESCRIPTION</b>
1	1	80070303	Tube, Bent, .38-in. HP, 60 ksi, Stainless
2	1	80070311	Tube, Bent, .38-in. HP, 60 ksi, Stainless
3	2	10078590	Tee, .38-in. HP Tube, 60 ksi, Stainless
4	1	10078772	Plug, HP, .56
5	1	05148846	Tube, .38-in. HP, Bent, 60 ksi, Stainless Steel
6	2	10078129	Gland, .38-in. HP Tube, 60 ksi, Stainless
7	2	10078715	Collar, .38-in. HP Tube, 60 ksi, Stainless
8	1	05119169	Intensifier Assembly, SL-IV, Ceramic
9	1	05040696	Accumulator, HP, .96 liter (56 cu. in.), 4,200 bar, TUV
11	1	49830599	Tee, .38 x .56
12	10	10083897	Ferrule, .25 Hose
13	4	95413696	Washer, Lock, ½-ID
14	4	05144837	Spacer
15	4	95383790	Cap Screw, Socket Head, ½ - 13 x 1-in., Stainless
16	2	05090717	Retaining Nut
17	74"	10186153	Conduit, Extra Flexible, .38-in. ID, Galvanized
18	1	49837362	Tube, .38-in. HP, Bent, 60 ksi, Stainless Steel
19	1	10105443	Tube, .38-in. HP x 4.00
20	1	10078780	Elbow-HP, .38
22	1	05069703	Pneumatic Valve Assembly
23	1	05080528	Tube, .25-in. HP x 25.50
24	1	10094704	Tube, .38-in. HP x 3.00
25	1	49830581	Bulkhead Coupling, .38
26	1	10090280	Tube, .38-in. HP x 5.00
27	1	10079523	Plug, HP, .38
28	1	49837354	Tube, .38-in. HP x 9.38

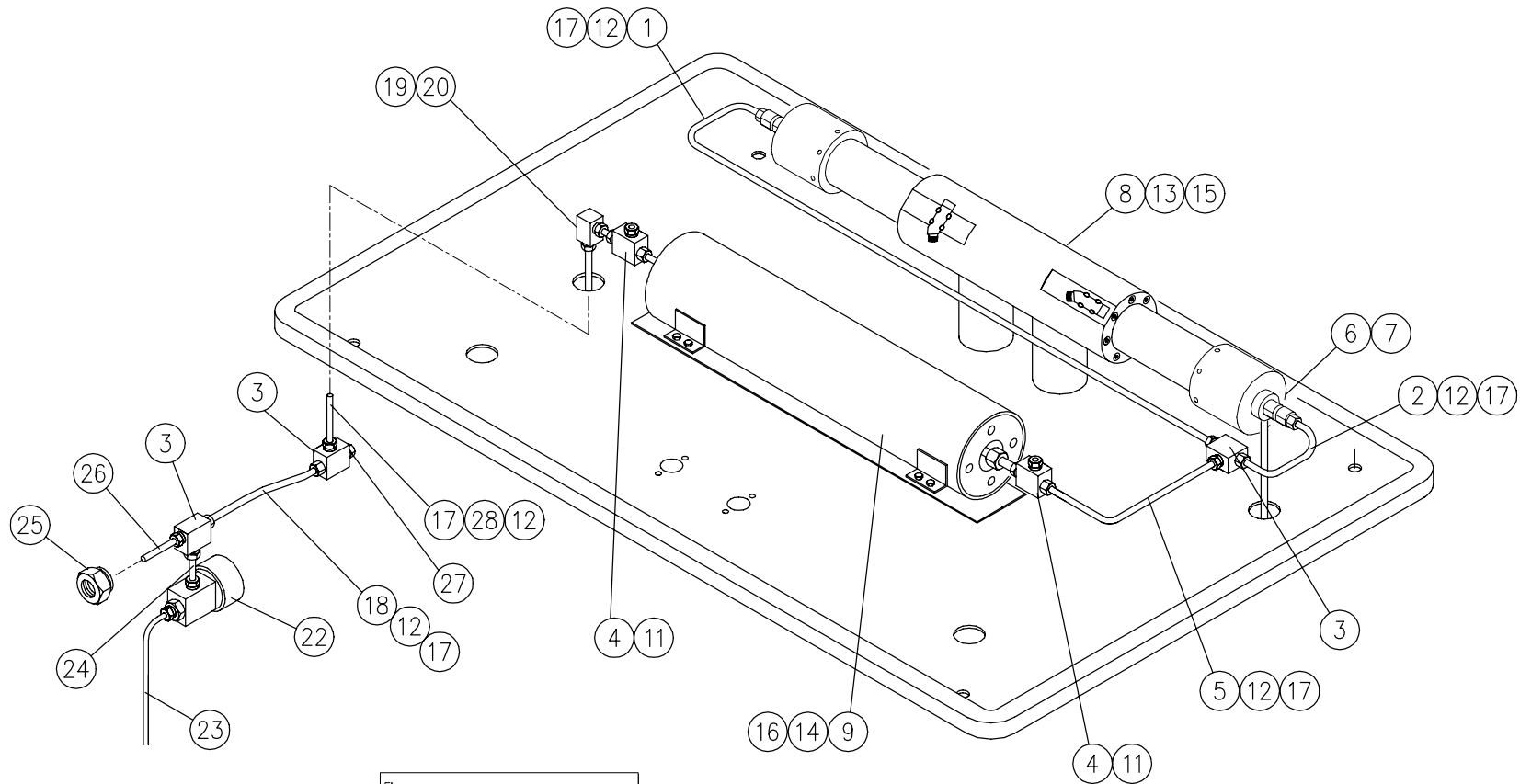


Figure:  
 Title: HP WATER ASSEMBLY  
 Image: 05136692D  
 Drawing: 80070279P rev 0

**Figure 12-8. HYDRAULIC MANIFOLD ASSEMBLY 05071766**

<b>ITEM No.</b>	<b>QTY.</b>	<b>PART No.</b>	<b>DESCRIPTION</b>
1	1	05044144	Block, Manifold, Hydraulic
2	4	05071055	Plug, -12 SAE O-ring, Hex Socket, Steel
3	1	05071717	Valve, Relief, Hydraulic, 234 bar (3,400 psi), Non-adjustable, TUV
4	2	05055017	Plug, -2 SAE O-ring, Hex Socket, Steel
5	1	10185585	Valve, Solenoid, Hydraulic, 24 – VDC, Normally – Closed, 2-Way/2-Position
6	1	05045497	Gage, Pressure, Hydraulic, 0 – 5,000 psig, -4 SAE O-ring, Bottom-Mount
7	1	10187052	Valve, Relief, Hydraulic, 100 – 3,000 psi Range, Knob-Adjustable
8	1	10187060	Valve, Relief, Hydraulic, 25 – 800 psi Range, Adjustable
9	1	10074953	O-ring
10	1	49889744	Retainer, Valve, Cartridge, 1-in.
11	1	49889736	Valve, Check, Hydraulic, Cartridge
12	1	10189595	Kit, O-ring, 4-way Valve (6 each O-ring)

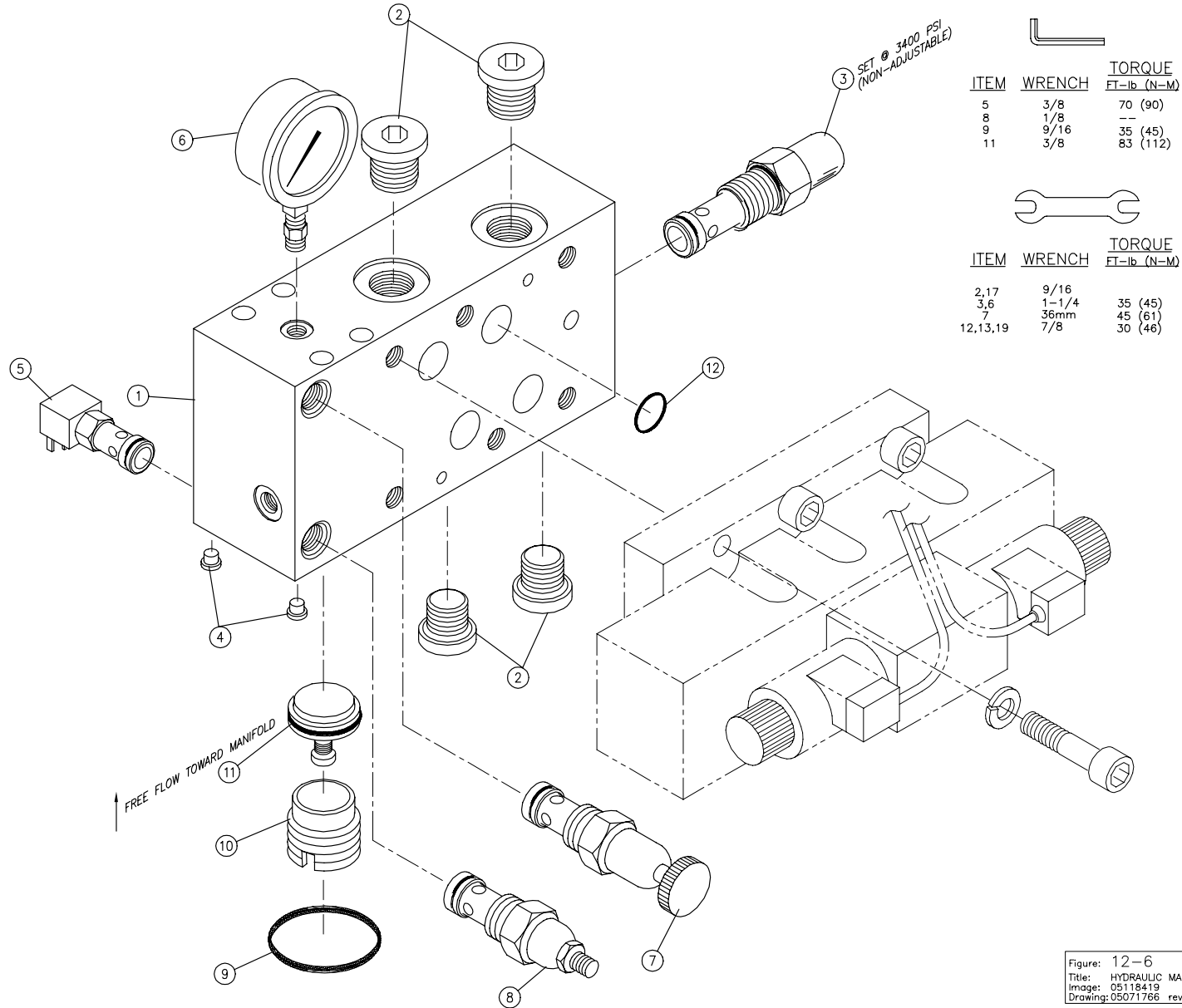
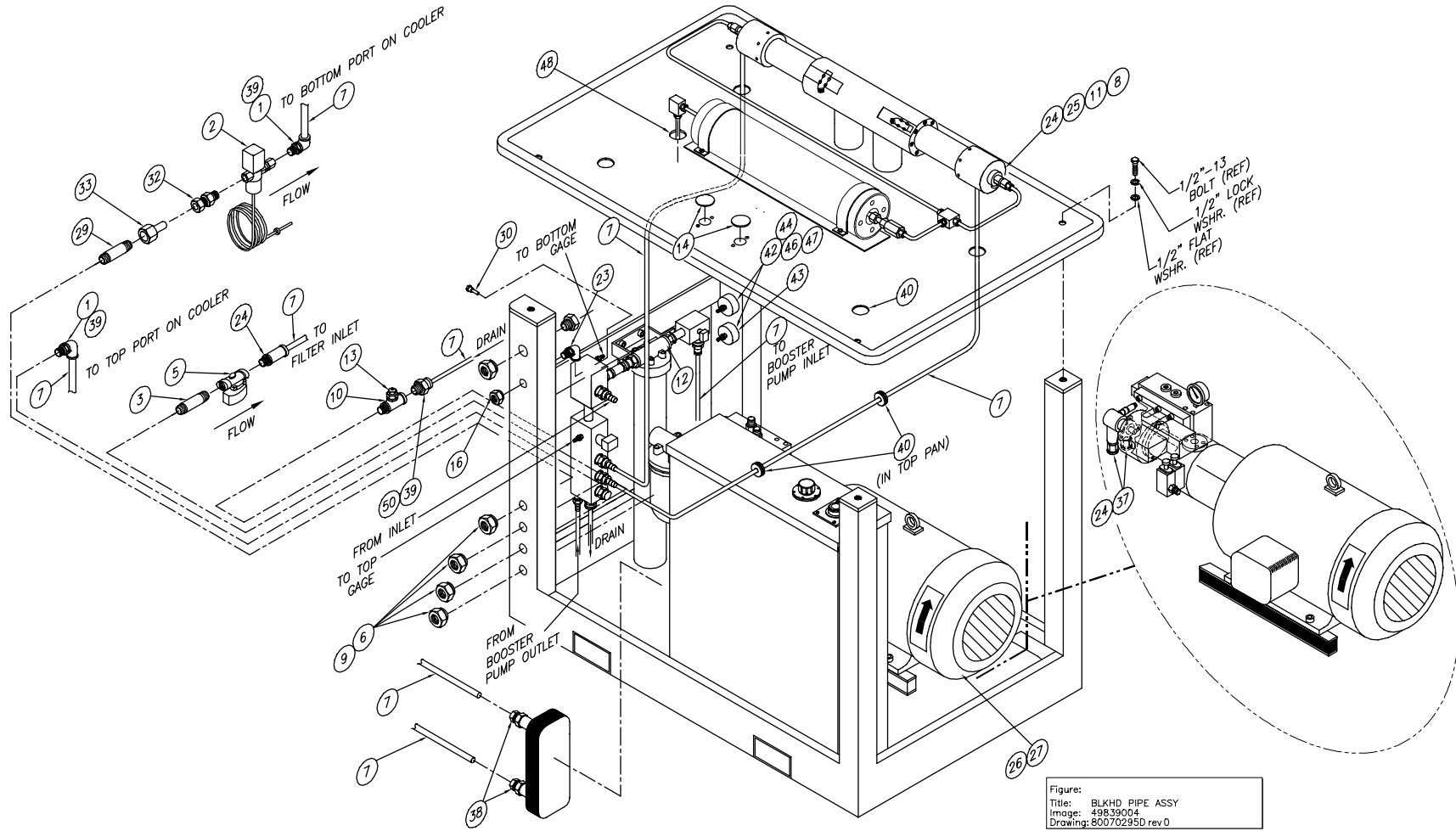


Figure: 12-6  
 Title: HYDRAULIC MANIFOLD ASS'Y  
 Image: 05118419  
 Drawing: 05071766 rev 8

**Figure 12-9. BULKHEAD PIPING ASSEMBLY 80070295**

ITEM No	QTY	PART No.	DESCRIPTION
1	2	10147460	Elbow, 90 Deg, ½ - NPT x -8
2	1	10091866	Water Modulating Valve
3	1	05060207	Nipple, ½ - NPT x 5-in
4	2	10192425	Insert, Barbed, .5-in. x ½ NPT
5	1	49890239	Solenoid Vlv, 24-VDC , ½ - NPT
6	4	49886922	Adapter, Bulkhead, ½ - NPT
7	-	10127348	Hose, Push-On, .50-in. ID
8	2	05111380	Quad Body
9	4	10070092	Nut, Jam, Hex, 1 -14 UNC
10	1	10073823	Tee, Male Run, ½-NPT
11	2	05111398	Quad Stem
12	1	05140009	Filter Assembly, LP
13	1	49834328	Adapter, .25 OD Tube x ½-NPT,
14	2	05061312	Seal, Hole, 2.20-in. Conduit
15	2	05111406	Adapter, .25 NPT x .50 JIC
16	1	10077055	Adapter, Bulkhead, 4-15, Brass
19	4	10069771	Washer, .63
23	1	10176766	Elbow, 90-deg., L P, ¼ - NPT
24	4	10189025	Adapter-Hose/JIC, -8 x -8
26	4	49832959	Screw-Hex Head, 5/8-11 x 1.75
27	4	49833072	Lock Washer, .63
29	1	10084523	Nipple, ½-in. NPT x4-in.,
30	24"	10079903	Tube, Polyethylene, .25-in.
32	1	49834310	Adapter-Tube/Pipe, .50
33	1	49834302	Adapter-Tube/Pipe, .50
36	2	49895303	Adapter-Pipe/JIC, Straight, -8
37	2	49886989	Adapter-Pipe/JIC, Str, -6 x-8
38	2	10079713	Barb, .50 ID Hose x ½-NPT,
39	2	10173805	Barb, .50 ID Hose x -8 JIC Swvl
40	4	05113964	Grommet
42	2	05139506	Pressure Gage
43	1	05091202	Elbow, 90-deg., Pipe, ¼ - NPT
44	72"	10084226	Hose, .25
46	2	49830722	Adapter-Pipe/Hose Barb, -4
47	4	95146429	Hex Nut, #8-32
48	1	49831480	Grommet
50	1	95157418	Adapter-Pipe/JIC, Straight, -8





**Figure 12-10. PNEUMATIC VALVE 05069703**

<b>ITEM No</b>	<b>QTY</b>	<b>PART No.</b>	<b>DESCRIPTION</b>
1	1	10184760	Pneumatic Control Valve, Less Nozzle Tube/Seat
2	1	49888035	Valve, Solenoid, 24 Volt
3	1	10102226	Nipple, Hex, 1/8 NPT
4	1	10077030	Elbow, 90-Deg, 1/4 x 1/8 NPT
5	1	10178697	Seat, Valve
6	1	10079580	Adapter, .56 x .25, HP Tube, 60 ksi
7	1	10078913	Gland, .38 HP Tube, Anti-Vibration
8	1	10078715	Collar, .38 HP Tube

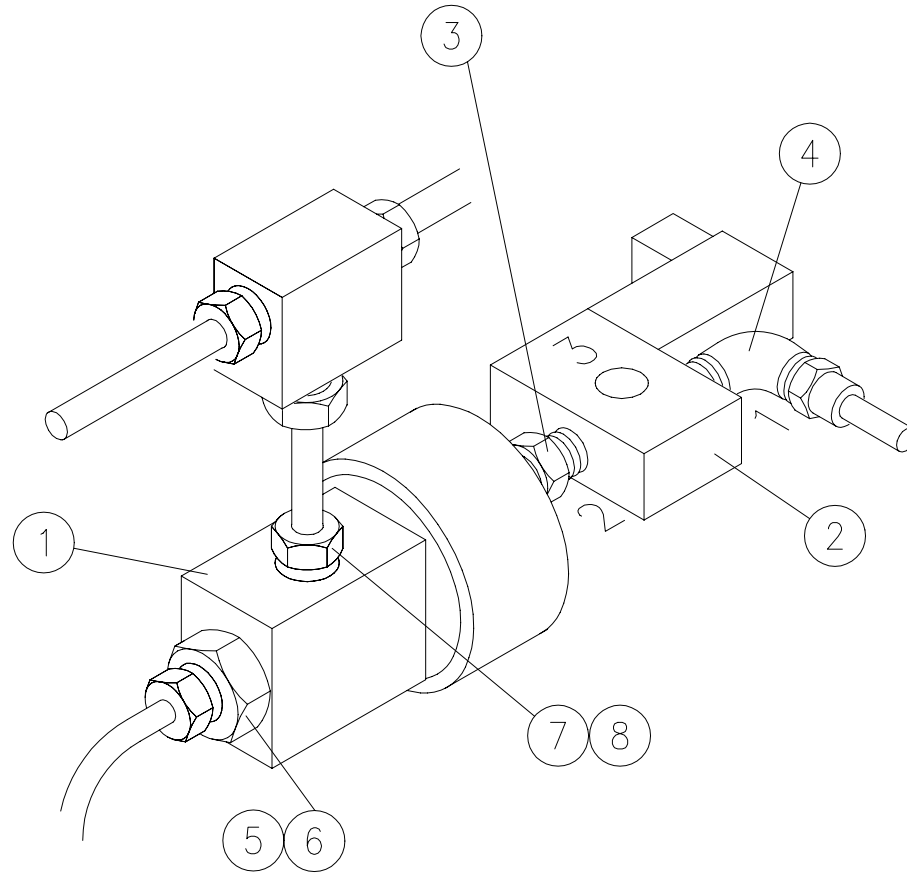
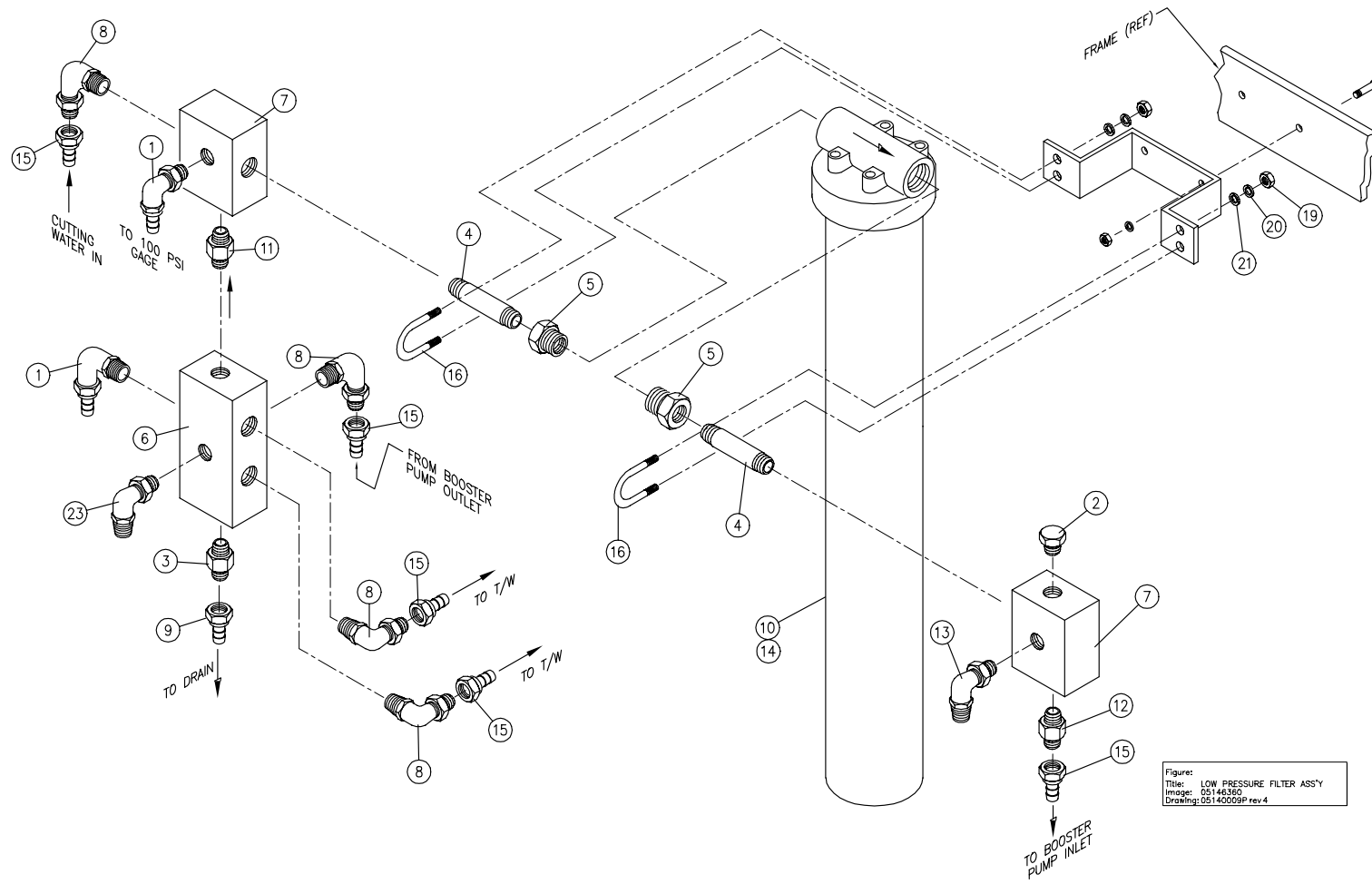


Figure:  
Title: PNEUMATIC VALVE  
Image: 05149265  
Drawing: 05069703D rev 2

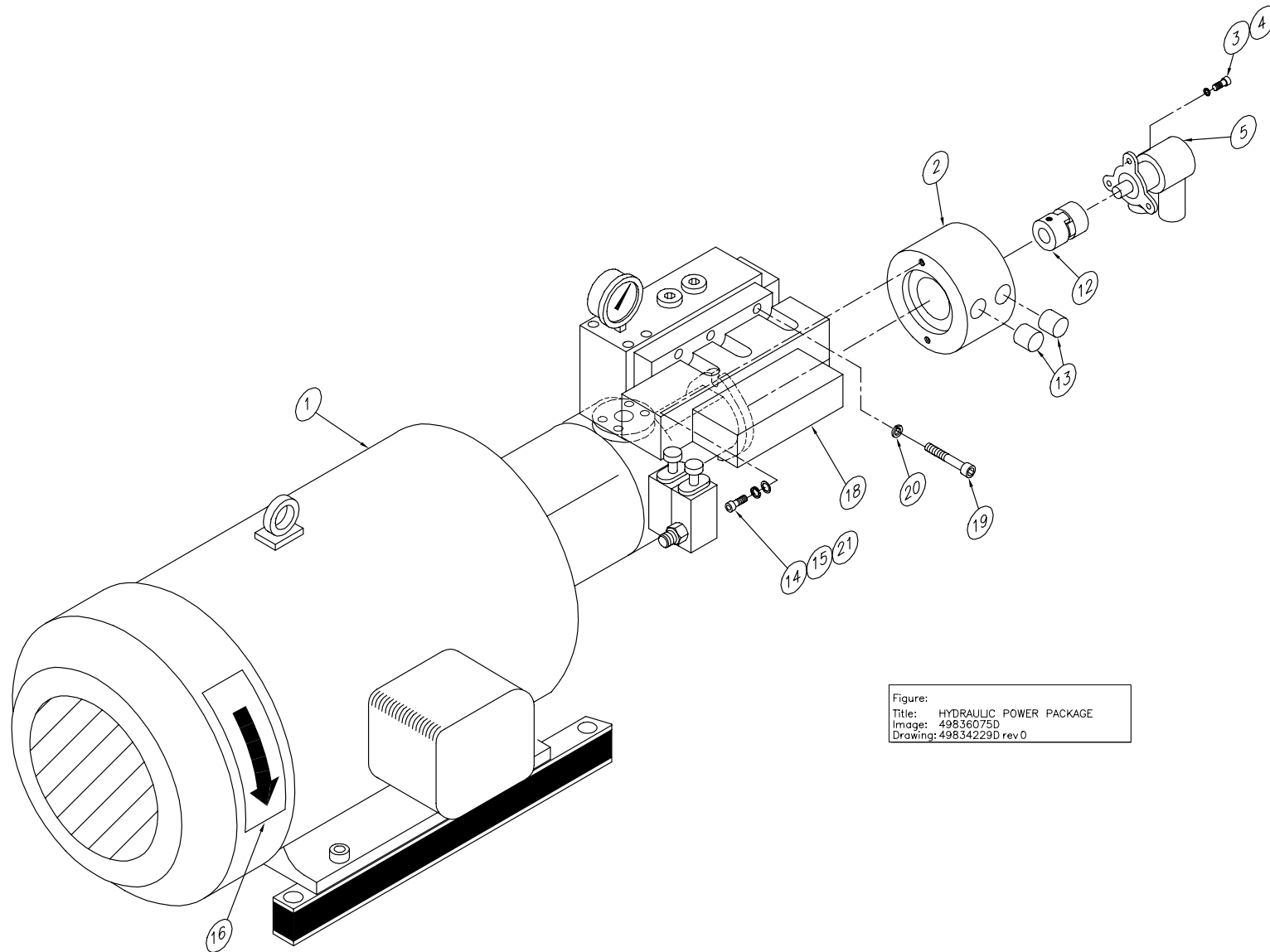
**Figure 12-11. LOW PRESSURE WATER FILTER ASSEMBLY 05140009**

<b>ITEM No.</b>	<b>QTY.</b>	<b>PART No.</b>	<b>DESCRIPTION</b>
1	2	49830714	Adapter-Pipe/Hose Barb, 90 degree,-4 NPT x -4Hose
2	1	05129689	O-ring Plug, .50
3	1	05070982	Valve, Relief, 50 – 150 psi, ½ NPT
4	2	05074067	Nipple, ½ NPT x 3-in., Stainless
5	2	10078111	Adapter, Bushing, ¾ x ½ - NPT, Stainless
6	1	05135611	Low Pressure Manifold
7	2	05142070	Low Pressure Manifold
8	4	05135660	Elbow, JIC/O-ring, 90 Degree, -8 x 2
9	1	49830730	Adapter-Pipe/Hose Barb, -8NPT x -8 Hose
10	1	05038690	Body, Filter, Water, ¾ - NPT
11	1	05135652	Check Valve
12	1	10100485	Adapter-Pipe/Hose, .50 x .50
13	1	05140751	Pressure Switch
14	2	10106722	Element, Filter, LP Water, Polypropylene, 10 Micron
15	5	10189025	Adapter-Hose/JIC, .50 x .50
16	2	10114023	U-Bolt, ¼ - 20, Stainless
19	4	95416335	Nut, Hex, ¼ - 20
20	4	95838314	Washer, Lock, .25
21	4	95391322	Washer, Flat, .25
23	1	05142062	Pressure Switch



**Figure 12-12. HYDRAULIC POWER UNIT 49834930**

<b>ITEM No</b>	<b>QTY</b>	<b>PART No.</b>	<b>DESCRIPTION</b>
1	1	05086012	Motor/Pump Assembly
2	1	05049168	Water Pump Adapter
3	3	95572897	Hex Head Screw, 1/4-20 x 5/8
4	3	95838314	Lock Washer, 1/4
5	1	49887094	Vane Water Pump
12	1	10092302	Shaft Coupling
13	2	10116952	Cap Plug
14	2	95750394	Lock Washer, 3/8
15	2	95416319	Hex Head Screw, 3/8-16 x 1
16	1	10091510	Decal
18	1	05092523	Directional Control Valve
19	6	95055026	Socket Head Screw, 1/2-13 x 1 3/4
20	6	95688750	High Collar Lock Washer, 1/2
21	2	10069714	Washer, 3/8



**Figure 12-13. MOTOR/PUMP ASSEMBLY 05086012**

<b>ITEM No.</b>	<b>QTY</b>	<b>PART No.</b>	<b>ITEM DESCRIPTION</b>
1	2	05101605	Mount, Vibration Isolation, Motor Base
2	1	08083373	Motor, Electric, 30hp
3	--	10184802	Optimal Anti-sieze Grease
4	1	05083258	Piston Pump, Axial,
5	2	05037593	Socket Head Screw, M10 x 1.50 x 25mm
6	2	10069714	Flat Washer, 3/8
7	1	05071766	Manifold Assembly
8	1	05073168	Elbow-JIC/O-ring, 45 degree, .75
9	1	05045364	Gear Pump, Double Shaft
10	4	05085063	Socket Head Screw, 3/8-16 x 6
11	4	05050356	High Collar Lock Washer, .44
12	1	10074953	O-ring
13	12	05089800	Flat Washer, 3/8
14	6	10116713	Hex Head Screw, 1/2-13 x 1-1/2
15	4	10170686	Lock Washer, .50
16	2	10116713	Hex Head Screw, 1/2-13 x 1-1/4
17	**	05088083	Shaft Seal, Piston Pump
18	**	05095997	O-Ring, Pump Interface Seal
19	**	05095989	Kit, Shaft Seal, Gear Pump
20	**	05103064	Controls, Compensator, Piston Pump

\*\* Field Service Item included with pump assemblies (items 4 or 9).



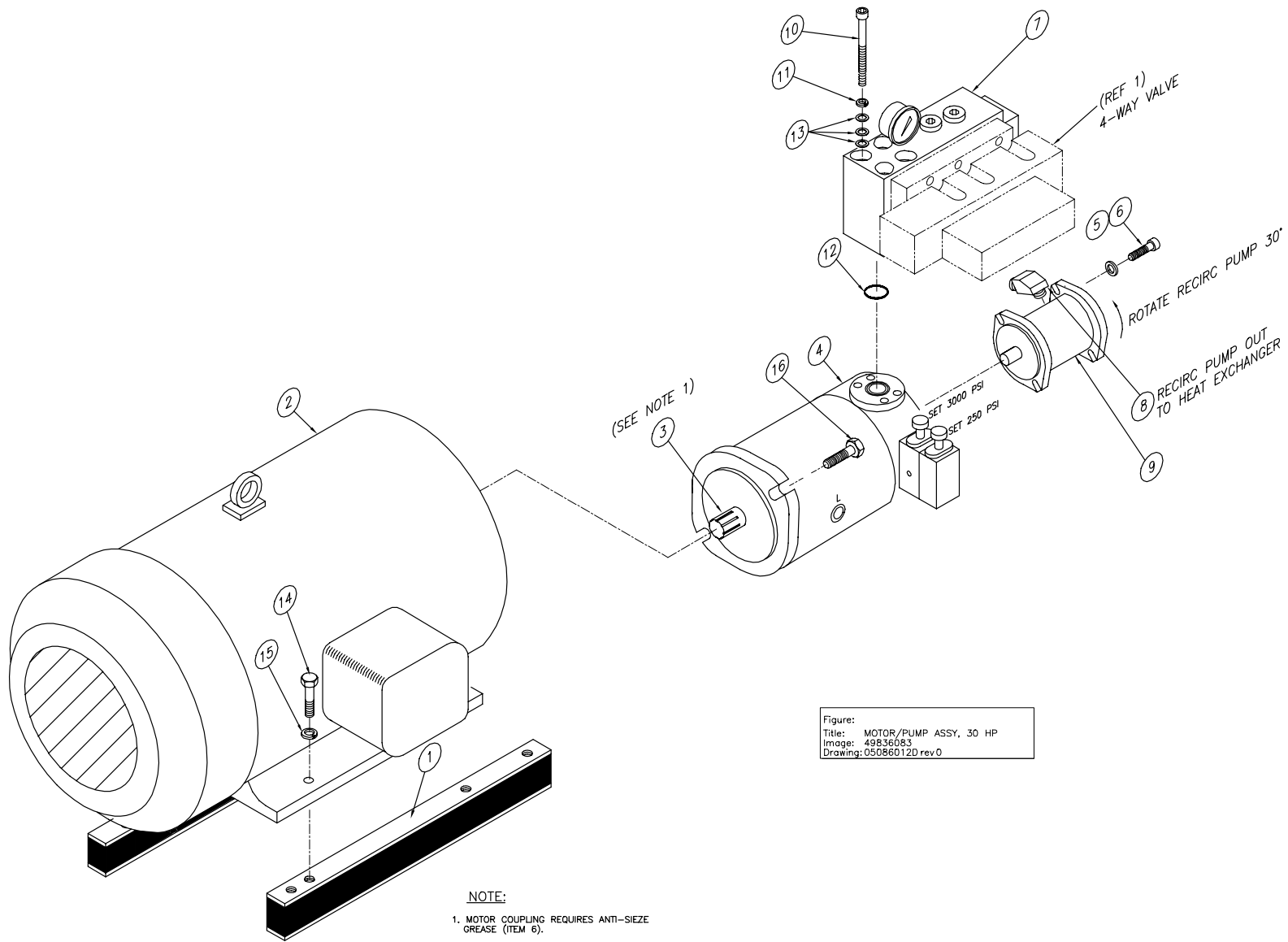
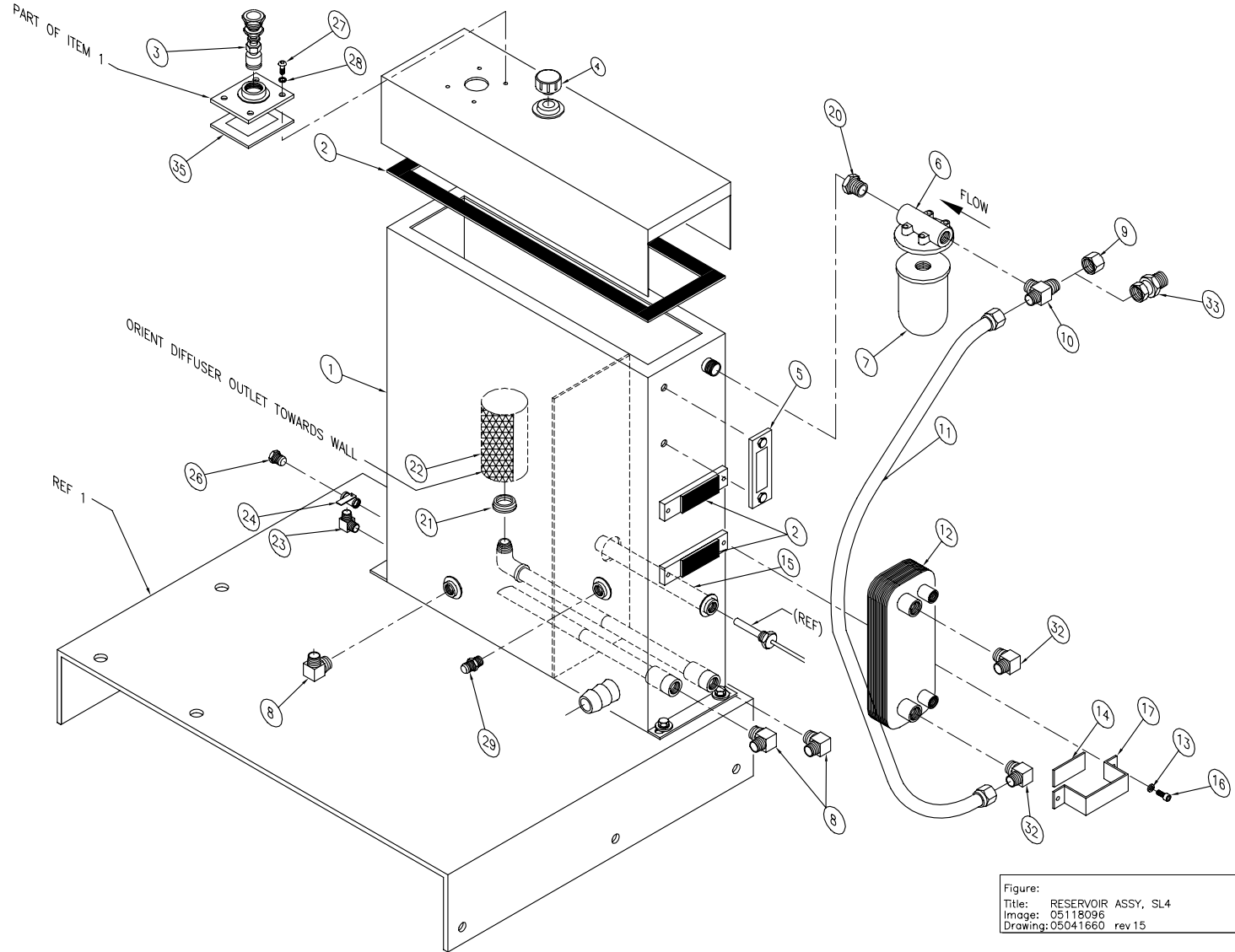


Figure:  
Title: MOTOR/PUMP ASSY, 30 HP  
Image: 49836083  
Drawing: 05086012D rev 0

**NOTE:**  
1. MOTOR COUPLING REQUIRES ANTI-SIEZE GREASE (ITEM 6).

**Figure 12-14 RESERVOIR ASSEMBLY 05041660**

<b>ITEM No</b>	<b>QTY</b>	<b>PART No.</b>	<b>DESCRIPTION</b>
1	1	05041686	Weldment, Reservoir
2	1	05049861	Gasket, Cover, Reservoir
3	1	05050026	Switch, Temperature / Level, Hydraulic, Cartridge- Type, 149 deg
4	1	05092739	Breather, Air
5	1	10168862	Gage, Dual Scale, Level/Temperature, Oil
6	1	05049697	Filter Head, Hydraulic Oil,
7	1	05049689	Element, Filter, Hydraulic Oil, Spin-on Type, 6 – Micron
8	3	05049655	Adapter, 90-Deg, 1" NPTx-12 JIC, Steel
9	1	05069976	Cap, ¾ NPT Hex, Steel
10	1	05071063	Tee, Male Branch, O-Ring/JIC, -12, Steel
12	1	05145958	Oil Cooler, Hydraulic
13	4	95830766	Lock Washer, .31
14	6"	10103232	Neoprene/Nitrile – 0.13 x 1
15	1	10091858	Bulb Well
16	4	95119897	Hex Head Screw, 5/16-18 x 1/2
17	2	05145974	Bracket
18	4	95716890	Lock Washer, .50
19	4	10069763	Washer, .50
20	1	05057559	Adapter, Straight, -12 SAE O-ring x 3/4 NPT, Steel
21	1	49868524	Adapter, Bushing, 1-1/4 x 1" NPT, Steel
22	1	05006291	Diffuser, Return Line, Hydraulic Oil
23	1	10099901	Elbow, 90-Deg, ¼ NPT x -4 JIC
24	1	10080901	Valve, Shutoff, Manual, 1/2 NPT, Brass
26	1	95033619	Plug, 1/2 NPT, Steel
27	4	95897948	Screw, Socket Head, #10-24 x 1/2,
28	4	95367728	Washer, Lock, #10 x .047
29	1	10099877	Adapter, Straight, 1/4 NPT x -4 SAE
32	2	05050331	Elbow, 90-Deg, -12 JIC x -10 SAE O-ring, Steel
33	1	05079371	Adapter, Straight, Swivel, -12 JIC x ¾ BSPP, Steel
35	1	05079967	Gasket, Sensor, Hydraulic Oil, 0.06" Neoprene/ Nitrile



**Figure 12- 15. TOP COVER ASSEMBLY 05124920**

<b>ITEM No.</b>	<b>QTY.</b>	<b>PART No.</b>	<b>DESCRIPTION</b>
1	20	05091970	Screw, Machine, Flat Head, #10 – 32 x .75", Stainless Steel, Phillips Head
2	1	05124912	Support, Cover, SL-IV, Weldment
3	1	05072772	Hinge, Cover
4	2	05058664	Cover, Top
5	24	05092002	Screw, Flange Head, 3/8 – 16 x 1.25-in., Black Oxide
6	24	95484382	Nut, Hex, 3/8 – 16 UN, Black Oxide
7	20	05041439	Nut, Machine, Hex, #10 – 24, Nylon Locking
9	20	05091988	Nut, Flanged, 3/8 – 16, Black Oxide
10	1	05073051	Gasket, Cover
12	20	95670972	Washer, Lock, 3/8 – ID, Black Oxide
14	20	95367207	Washer, Flat, #10, Stainless Steel

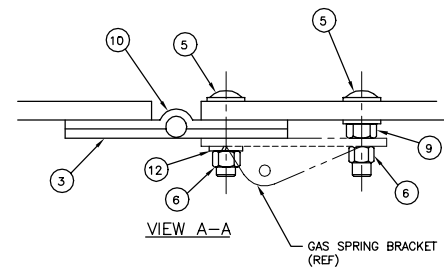
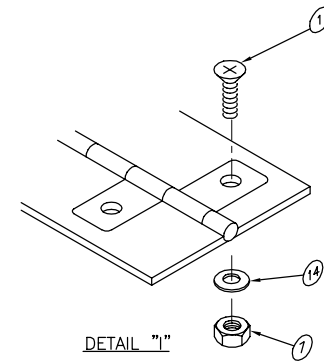
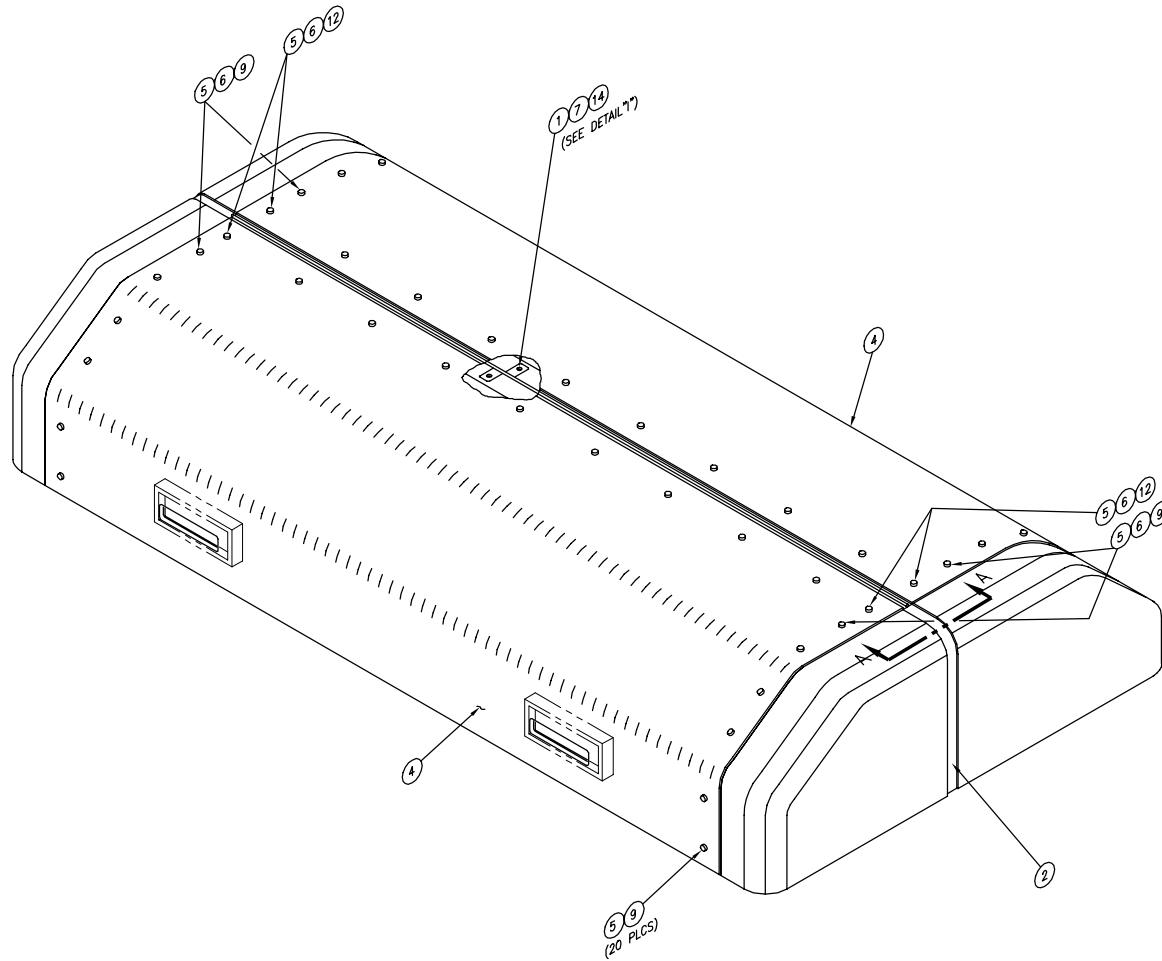
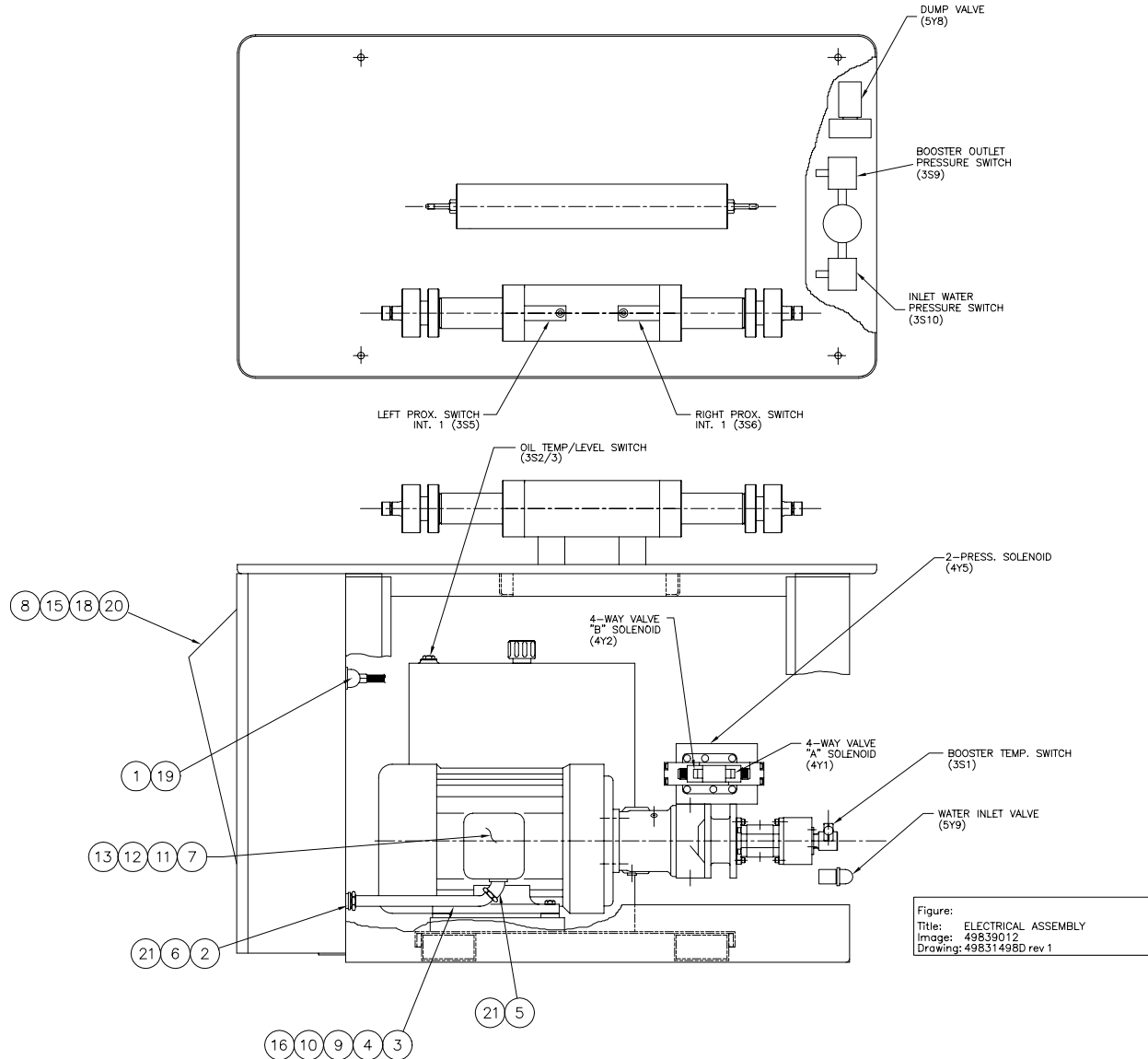


Figure:  
Title: TOP COVER ASSEMBLY  
Image: 05113196  
Drawing: 05065909 rev 4

**Figure 12-16 ELECTRICAL ASSEMBLY 80070626**

<b>ITEM No.</b>	<b>QTY</b>	<b>PART No.</b>	<b>DESCRIPTION</b>
1	1	05148531	Harness, Cable, Sensor/Solenoid
2	1	10080661	Flexible Conduit Connector
3	3	10181907	Terminal Ring, #4
4	18"	10086700	Flexible Conduit
5	1	05115830	Flexible Conduit Connector
6	1	05081377	Conduit Bushing
7	12	10159143	#8 Terminal Ring
8	4	10069763	Washer, .50
9	150"	10105674	#4 Wire, Black
10	50"	10170140	#6 Wire, Green
11	6	95423653	Hex Head Screw, 1/4-20 x 1/2
12	6	95416335	Hex Nut, 1/4-20
13	6	95686721	Socket Head Screw, 1/4-20 x 1-3/4
15	4	95423695	Hex Nut, 1/2-13
16	1	10174357	#6 Terminal Ring
18	4	95716890	Lock Washer, 1/2
19	5	10125912	Cable Tie
20	1	80070667	Starter Panel Configuration
20	4	10082857	Gasket Assembly – Redundant Only
21	2	10085405	Gasket Assembly



**Figure 12-17 CONTROL PANEL CONFIGURATION 80070667**

<b>ITEM No.</b>	<b>QTY</b>	<b>PART No.</b>	<b>DESCRIPTION</b>
1	1	05138086	Circuit Breaker, 600A
2	4	05081955	Screw, Socket Head, #8-32 x 2
3	1	05137963	Rotary Drive Mechanism
4	1	05137989	Extension, Shaft, Circuit Breaker
5	1	05137997	Handle, Open, Circuit Breaker
6	2	05137948	Terminal Cover
7	144"	49878754	#6 Wire, Black
8	8	10170355	Crimp Connector
9	1	49839814	Contactor, Non-Reversing, 85A
10	8	10157667	Screw, #10-32 x 3/4
11	24"	10103034	DIN Rail
12	1	05111448	Din Rail
13	8	10185395	Crimp Connector Ferrule
14	48"	10176410	#16 Wire, Blue
15	48"	10170165	#16 Wire, Green/Yellow
16	2	95830766	Lock Washer, .31
17	2	05095609	Ground Lug
18	2	95423620	Screw-Hex Head, 5/16-18 x 3/4
19	24"	05106398	#3 Wire, Green/Yellow
20	42"	10170157	#10 Wire, Green/Yellow
21	90"	05019898	#14 Wire, Green/Yellow
22	12	05019617	Crimp Connectors
23	1	05140686	Circuit Breaker
24	7	05032362	End Anchor
25	1	05140876	Power Supply
26	1	49836620	Controls Subassembly
29	1	10098226	Tube Base Relay
30	1	10098242	Terminal Screw Socket
31	60"	10181550	#16 Wire, Red



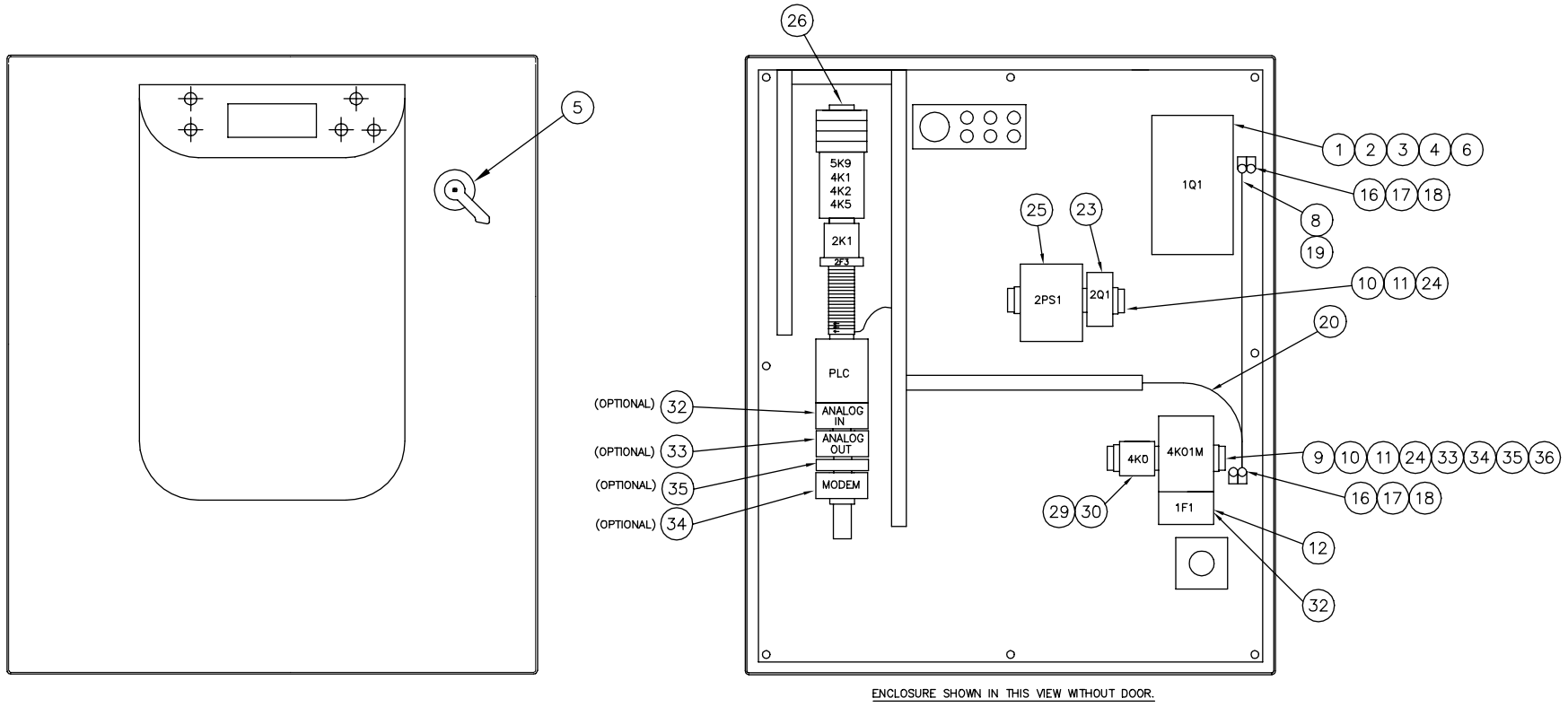
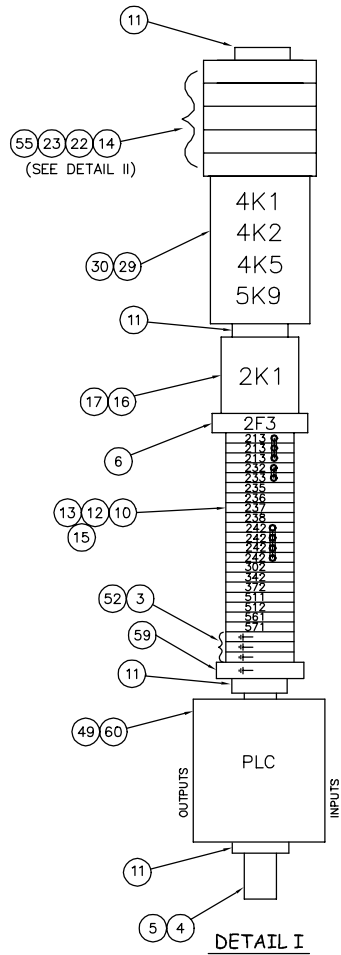


Figure:  
Title: CTRL PNL CONFIG  
Image: 49839020  
Drawing: 80070667D rev 3

**Figure 12-18 CONTROLS SUBASSEMBLY 49836620**

ITEM No	QTY	PART No.	DESCRIPTION
1	--	10176410	#16 Wire, Blue
2	--	10170165	#16 Wire, Green/Yellow
3	3	05032420	Terminal Block
4	36"	10103034	Din Rail
5	12	10157667	Screw, #10-32 x 3/4
6	1	49839335	Circuit Breaker
7	1	49833403	Push/Pull Switch, ES
8	2	05140652	Contactoer Block
9	1	05049473	Legend Plate
10	20	05032438	Terminal Block
11	4	05032362	End Anchor
12	1	05032370	End Barrier
13	1	05032388	Jumper
14	1	05112818	Marker
15	1	05032412	Marker
16	1	10186104	Tube Base Relay
17	1	10196012	Relay Base
18	1	49833395	Push Button Switch
19	1	49833486	Lamp Socket Block
21	1	49833379	Pilot Light-Green
22	17	05113634	Terminal Block
23	1.6	05112826	Terminal Block
24	1	49830268	Cable
26	1	05049432	Legend Plate Holder
28	1	05146504	Sub-plate
29	1	10156859	I/O Rack
30	4	10146363	Single Point Module
		31	2 10157659 Lock Washer, .25
		32	1.2 05021944 Wiring Duct
		33	28 10170132 Rivet
		34	4 49874191 Hole Seal - Single Only
		35	- 05140926 #16 Wire, Orange
		36	- 10185395 Crimp Connector
		37	4 10069888 Lock Washer, #6
		38	1 05140082 Electrical Enclosure
		39	1 05140967 Gasket Connector
		40	36" 10170157 #10 Wire, Green/Yellow
		41	3 10094712 Ring Terminal
		42	4 95416335 Hex Nut, 1/4-20
		43	1 49833387 Pilot Light, Red
		44	1 05140975 Cap Connector
		45	12" 10102242 Spiral Wrap
		48	4 10069797 Flat Washer, #6
		49	1 05144316 Base Control
		50	4 10070951 Pan Head Screw, #6-32 x 3/4
		51	1 05140157 Panel View Display
		52	1 05115134 End Barrier
		53	1 49833411 Selector Switch
		54	1 05114889 Legend Plate
		55	1 05117601 End Barrier
		56	1 10174431 Receptacle
		57	37 10174712 Socket Contact
		58	4 10069946 Hex Nut, #6
		59	1 05115704 Terminal Block
		60	1 05144308 PLC
		61	2 49874233 Hole Seal, 1.50



213	531	□	PROP PRESSURE SOLENOID (OPTIONAL)
213	532	□	PROP PRESSURE SOLENOID (OPTIONAL)
213	501	□	PRESSURE TRANSDUCER (OPTIONAL)
242	242	□	RIGHT PROX - INT2 (OPTIONAL)
242	242	□	LEFT PROX - INT2 (OPTIONAL)
242	242	□	INLET WATER PRESSURE
392	3102	□	BOOSTER OUTLET PRESSURE
352	352	□	RIGHT PROX
352	352	□	LEFT PROX
242	242	□	HIGH OIL TEMP
242	242	□	OIL LEVEL SWITCH
242	242	□	BOOSTER PUMP TEMP
392	3102	□	WATER SUPPLY VALVE
352	352	□	SAFETY DUMP
242	242	□	2-P SOLENOID
242	242	□	4-WAY B
242	242	□	4-WAY A

**DETAIL II**

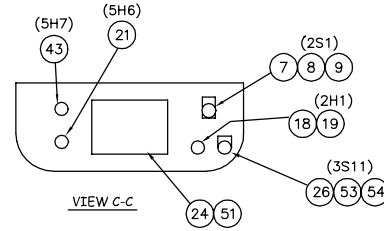
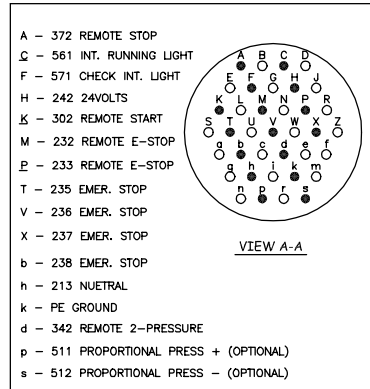
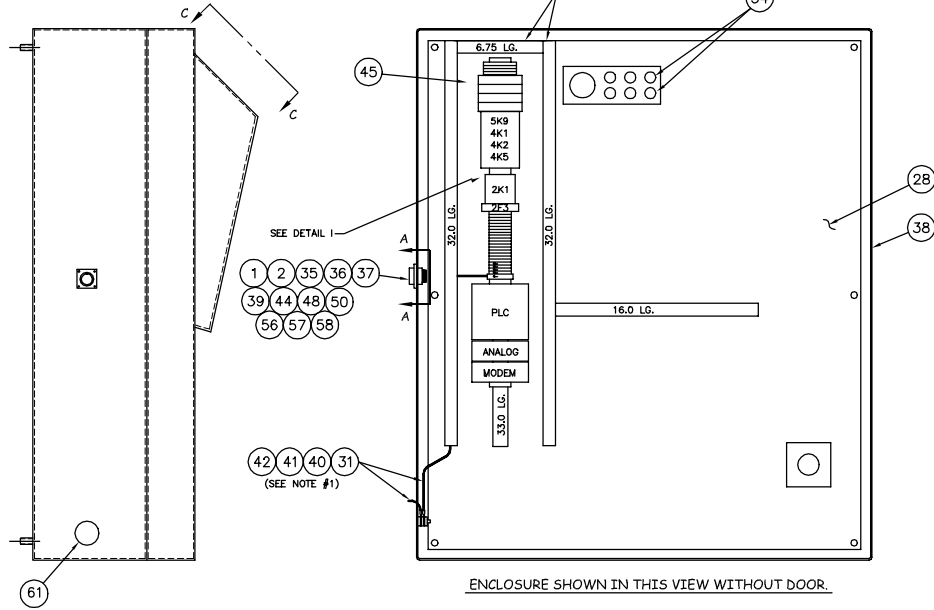
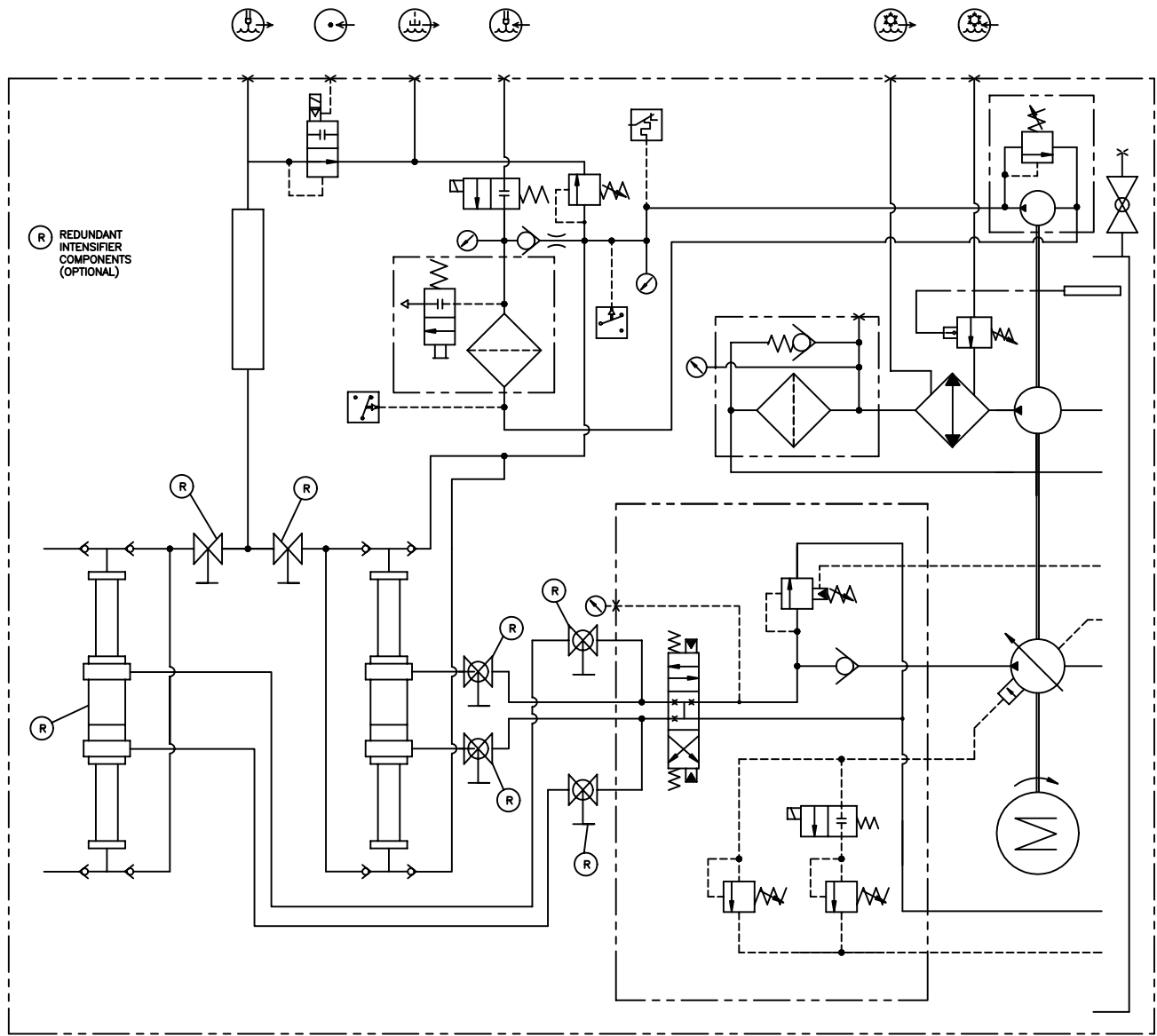


Figure:  
Title: CTRL.S. SUB-ASSEMBLY  
Image: 49839038  
Drawn: 498386200 rev.0



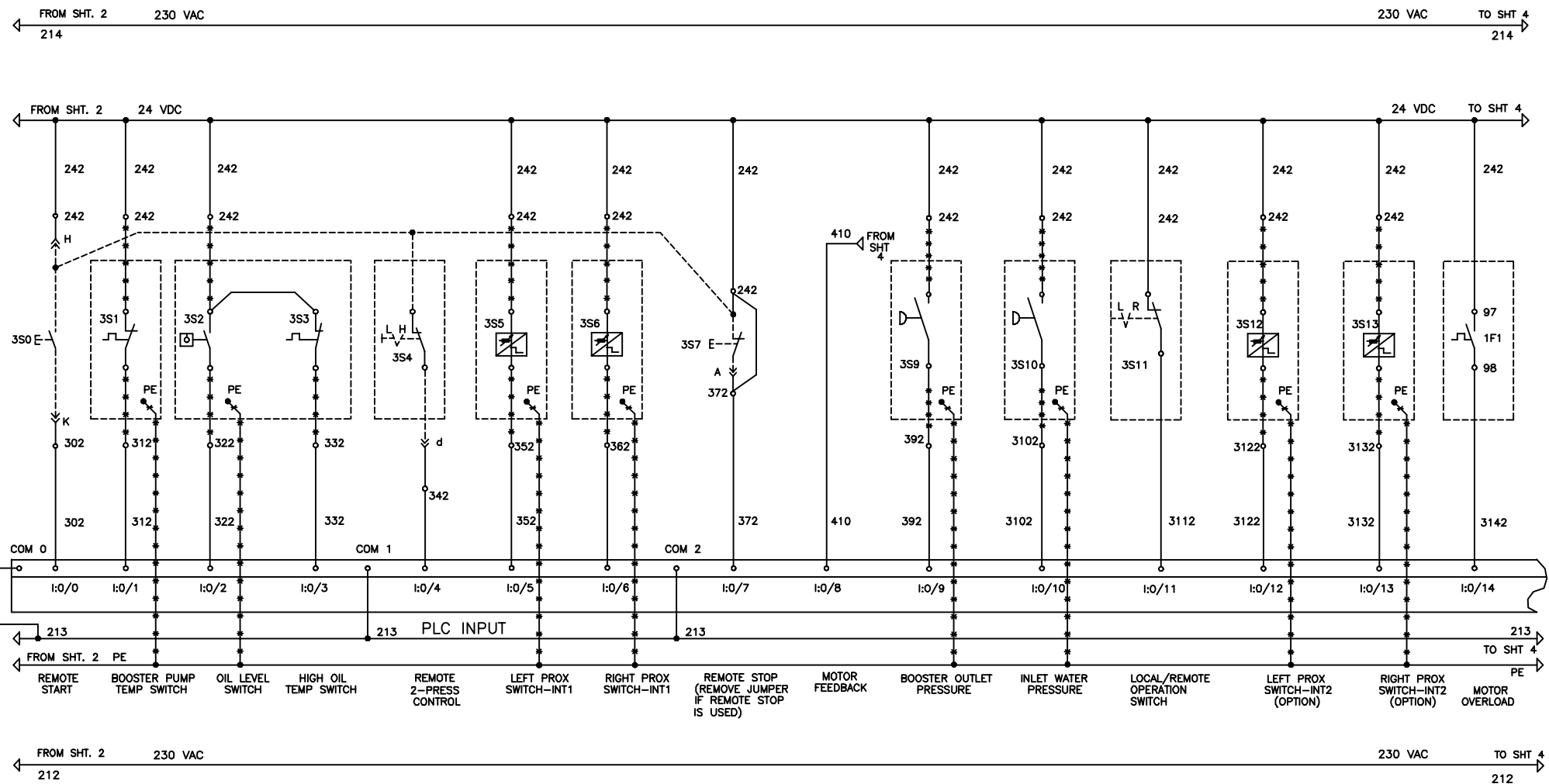
DWP NO 49835622D		REV 1	REV 1
REVISIONS			
NO	DESCRIPTION	DATE	APPROVED
1	REVISED PER JDS	5/13/03 BR	



Copyright © 1998 Ingersoll-Rand Company All Rights Reserved  <b>WARNING 1</b> The export or reexport of this drawing or a product produced by this drawing is subject to U.S. Export Administration regulations and other applicable governmental restrictions or regulations.	DIMENSIONS IN [ ] ARE MILLIMETRES	REF. 05075510D	UNLESS OTHERWISE NOTED, BREAK SHOWN EDGES & CORNERS .015 & <input checked="" type="checkbox"/> RADIUS FINISH ALL OTHER																
	<b>PROPRIETARY NOTICE</b> This document contains confidential and trade secret information, is the property of Ingersoll-Rand Co., and is given to the recipient in confidence. The recipient by reception and retention of this document accepts the document in confidence and agrees that, except as authorized in writing by Ingersoll-Rand Co., it will (1) not use the document or any copy thereof or the confidential or trade secret information therein, (2) not copy the document, (3) not disclose to others other than the document or the confidential or trade secret information therein, and (4) upon completion of the need to retain the document, or upon demand, return the document, all copies thereof, and all material copied therefrom.	<b>GEOMETRIC SYMBOLS</b> — STRAIGHTNESS ○ CIRCULARITY (ROUNDNESS) ⊙ CYLINDRICITY ⊘ FLATNESS ⊥ PERPENDICULARITY // PARALLELISM ⊖ CONCENTRICITY ⊕ TOLERANCE POSITION ⊘ CIRCULAR RUNOUT ⊘ TOTAL RUNOUT	<b>STANDARD TOLERANCES</b> X.X = ±.063 X.XX = ±.015 X.XXX = ±.005 ANGLE = ±0°30'	<table border="1"> <tr> <th>FINISH</th> <th>DATE</th> </tr> <tr> <td>A. HANSEN</td> <td>6/26</td> </tr> <tr> <td>DESIGNED</td> <td></td> </tr> <tr> <td>IN MILLER</td> <td></td> </tr> <tr> <td>APPROVED</td> <td></td> </tr> <tr> <td>DATE APPL.</td> <td></td> </tr> <tr> <td>DRAWN BY</td> <td></td> </tr> <tr> <td>CHECKED BY</td> <td></td> </tr> </table>	FINISH	DATE	A. HANSEN	6/26	DESIGNED		IN MILLER		APPROVED		DATE APPL.		DRAWN BY		CHECKED BY
FINISH	DATE																		
A. HANSEN	6/26																		
DESIGNED																			
IN MILLER																			
APPROVED																			
DATE APPL.																			
DRAWN BY																			
CHECKED BY																			
INGERSSOLL-RAND <b>WATERJET SYSTEMS</b> SCHEMATIC—HYDRAULIC SLIV REDUNDANT			DWN. 49835622D SHEET 1 OF 1																

1 2 3 4 5 6 7 8 9

REV. NO.	80070642D	REV. 3	REV. 2
NO.	DESCRIPTION	DATE	APPROVED

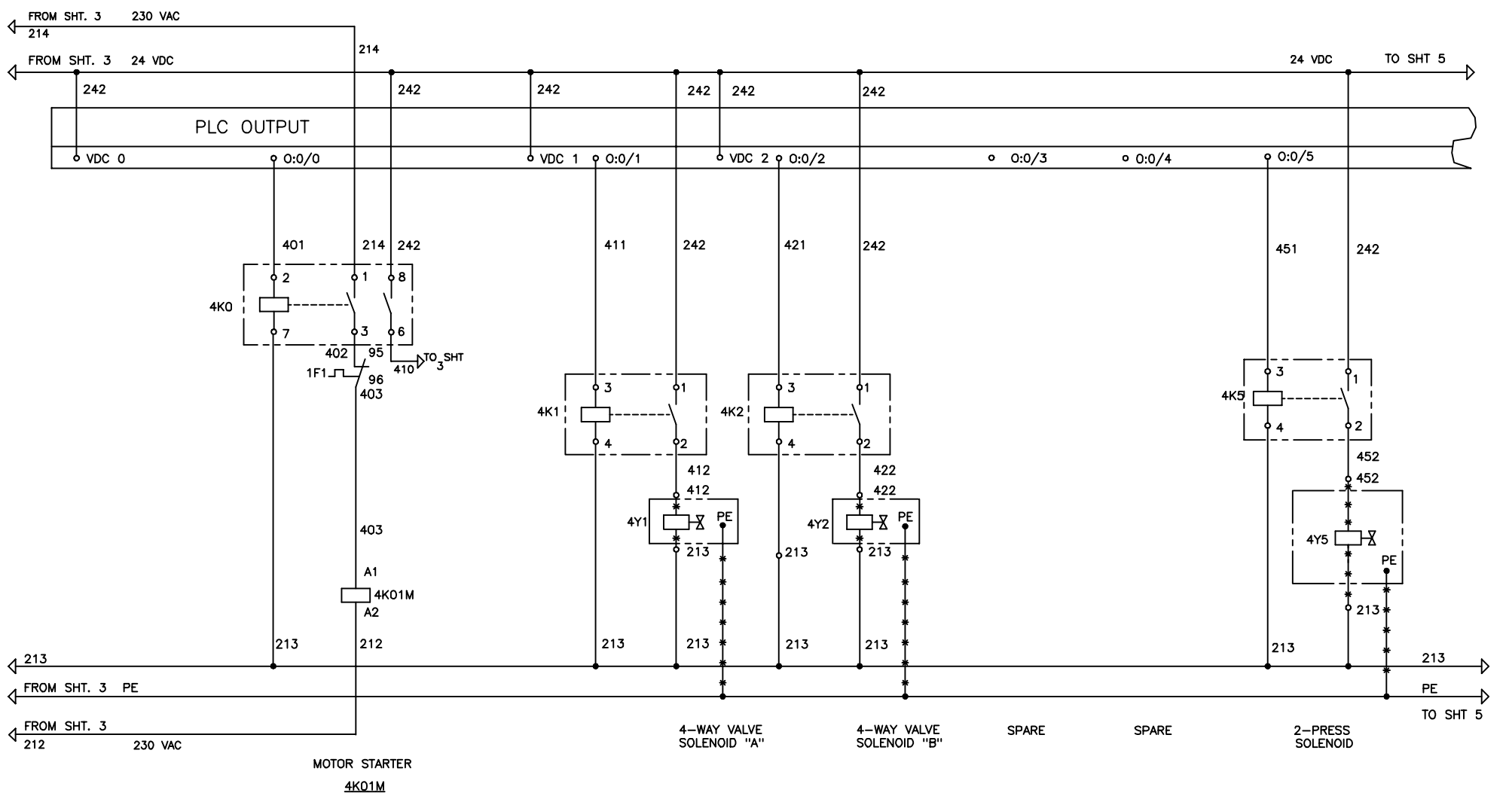


----- WIRING BY CUSTOMER IN ACCORDANCE WITH LOCAL REGULATIONS  
 \*--\*--\* WIRING BY I-R EXTERNAL TO PANEL  
 ALL AC CONTROL VOLTAGE WIRES MUST BE RED IN COLOR

Copyright © 2001 Ingersoll-Rand Company All Rights Reserved  <b>WARNING 1</b> The export or re-export of this drawing or a product produced by this drawing is subject to U.S. Export Administration regulations and other applicable governmental restrictions or regulations.	<b>PROPRIETARY NOTICE</b> This document contains confidential and trade secret information, is the property of Ingersoll-Rand Co., and is given to the recipient in confidence. The recipient by acceptance and retention of this document accepts the document in confidence and agrees that, unless authorized in writing by Ingersoll-Rand Co., it will (1) not use the document or any copy thereof or the contents of the trade secret information therein, (2) not copy the document or its contents to other personnel, (3) not disseminate or otherwise make information therein and (4) upon completion of the document, or upon demand, or upon written demand from Ingersoll-Rand Co., return the document, all copies thereof, and all materials copied therefrom.	<b>STANDARD TOLERANCES</b> UNLESS OTHERWISE NOTED: ALL DIMENSIONS ON COMMON CASTINGS: CONGR. TO 2008 MESH: SHARP EDGES AND CORNERS 2015 SURFACE FINISH: - √ STANDARD DIMENSIONS: LXX = 2.043 LXX = 2.015 LXXX = 2.000 HOLE = .02	<b>GD&amp;T TO ASME Y14.5M 1994</b> ALL DIMENSIONS IN INCHES (mm) SURF. FIN. - DIM. BY 8 DIT W.C.L. 9/11/01 CHECKED BY 8 DIT G.M. 9/11/01 DRK APPROVE'S DATE G.P.N. 9/11/01	
	<b>WARNING 1</b> This document contains confidential and trade secret information, is the property of Ingersoll-Rand Co., and is given to the recipient in confidence. The recipient by acceptance and retention of this document accepts the document in confidence and agrees that, unless authorized in writing by Ingersoll-Rand Co., it will (1) not use the document or any copy thereof or the contents of the trade secret information therein, (2) not copy the document or its contents to other personnel, (3) not disseminate or otherwise make information therein and (4) upon completion of the document, or upon demand, or upon written demand from Ingersoll-Rand Co., return the document, all copies thereof, and all materials copied therefrom.	REF. DES: 051421200 DATE: 9/11/01 TITLE: ELECT. SCHEMATIC, SL4K, 240V PANEL FULL VOLTAGE START DES. NO.: 80070642D THIS ANGLE PROVISION TRUE ANGLE PROVISION SCALE: - TITLE BLOCK NUMBER: 1 SHEET 3 OF 5		

1 2 3 4 5 6 7 8 9

REV. NO.		DESCRIPTION		DATE	APPROVED
1	REVISED PER REV01825			11/7/02	11/7/02

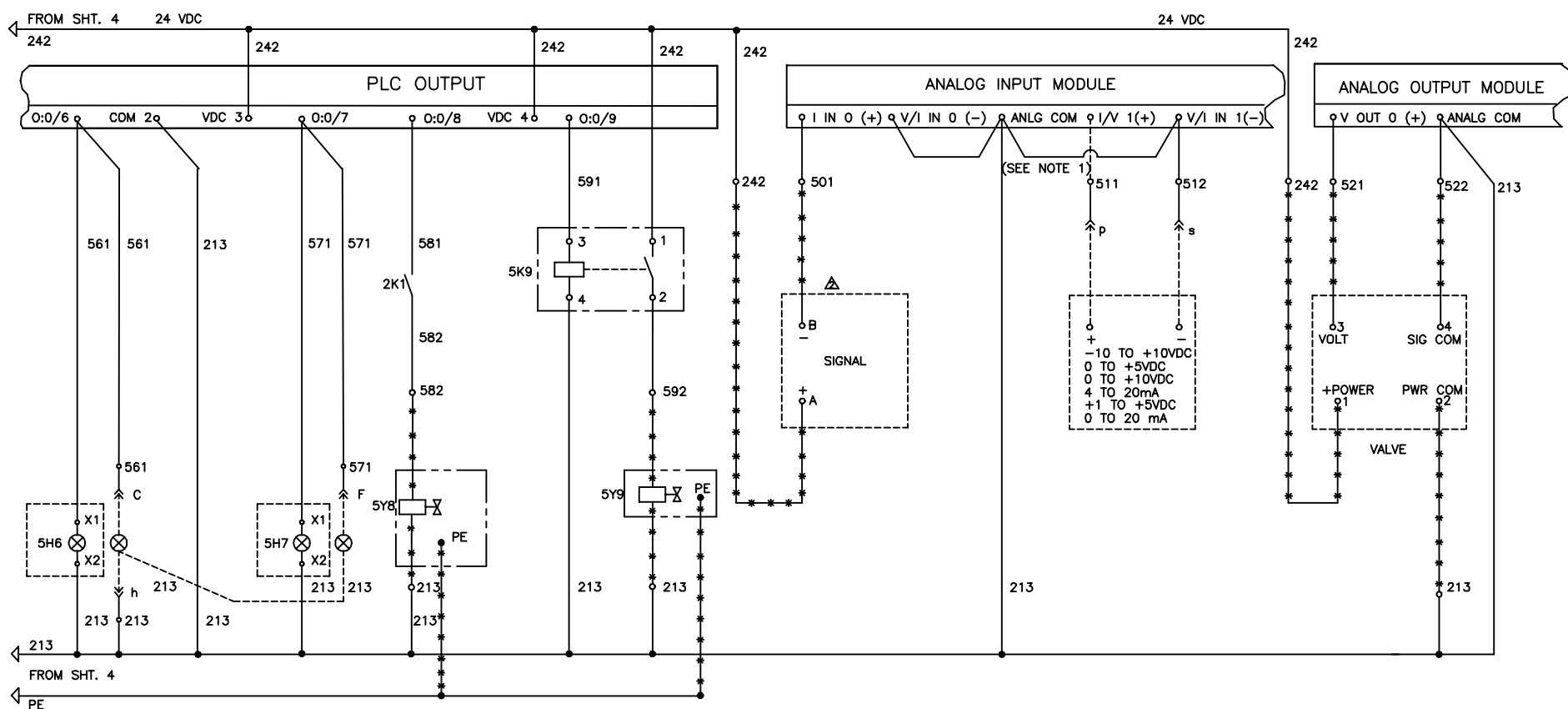


----- WIRING BY CUSTOMER IN ACCORDANCE WITH LOCAL REGULATIONS  
 \*-\*-\*-\* WIRING BY I-R EXTERNAL TO PANEL  
 ALL AC CONTROL VOLTAGE WIRES MUST BE RED IN COLOR

Copyright © 2001 Ingersoll-Rand Company All Rights Reserved  <b>WARNING 1</b> The export or reexport of this drawing or a product produced by this drawing is subject to U.S. Export Administration regulations and other applicable governmental restrictions or regulations.	<b>PROPRIETARY NOTICE</b>  This document contains confidential and trade secret information, is the property of Ingersoll-Rand Co. and is given to the recipient in confidence. The recipient for recipient and release of this document except the document is confidential and against the interest as indicated in writing by Ingersoll-Rand Co. If an (1) is on the document or any copy thereof or the confidential or the trade secret information therein (2) is not on the document or any copy thereof, the recipient shall not disseminate, in any form, information, data and (3) upon completion of the work shall return to Ingersoll-Rand Co. all original documents, drawings, and other documents, and all material copied therefrom.	<b>STANDARD TOLERANCES:</b> UNLESS OTHERWISE NOTED: ALL DIMENSIONS ON COORDINATE SYSTEMS CONFORM TO ASME Y14.5M 1994	<b>GD&amp;T TO ASME Y14.5M 1994</b> UNLESS OTHERWISE NOTED: ALL DIMENSIONS IN INCHES (mm)	REV. NO. 001421200 DRAWN BY: W.C.L. CHECKED BY: G.N.L. DATE: 9/11/01	<b>Ingersoll-Rand</b> ELECT. SCHEMATIC, SL4K, 240V PANEL FULL VOLTAGE START 80070642D SHEET 4 OF 5
		SURFACE FINISH - ✓ STANDARD TOLERANCES: X1 = ±.003 X2 = ±.015 X3 = ±.005 ANGLE = ±.5°	DATE: 9/11/01 C.P.N.		

1 2 3 4 5 6 7 8 9

REVISONS			
ID	DESCRIPTION	DATE	APPROVED
1	REVISED PER REV01826	11/7/02 BR	11/7/02 GPN
2	A & B WERE 1 & 2, REV01831	1/21/03 BR	1/21/03 GPN



INTENSIFIER RUNNING LIGHT (GREEN)      CHECK INTENSIFIER LIGHT (RED)      SAFETY DUMP VALVE      WATER SUPPLY VALVE      PRESSURE TRANSDUCER (OPTIONAL)      REMOTE PROPORTIONAL PRESSURE CONTROL (OPTIONAL)      PROPORTIONAL PRESSURE SOLENOID (OPTIONAL)

NOTE 1: VOLTAGE OR CURRENT CONTROL SPECIFIED BY CUSTOMER.  
USE I IN 1(+) FOR CURRENT OR V IN 1(+) FOR VOLTAGE CONTROL ON ANALOG MODULE.

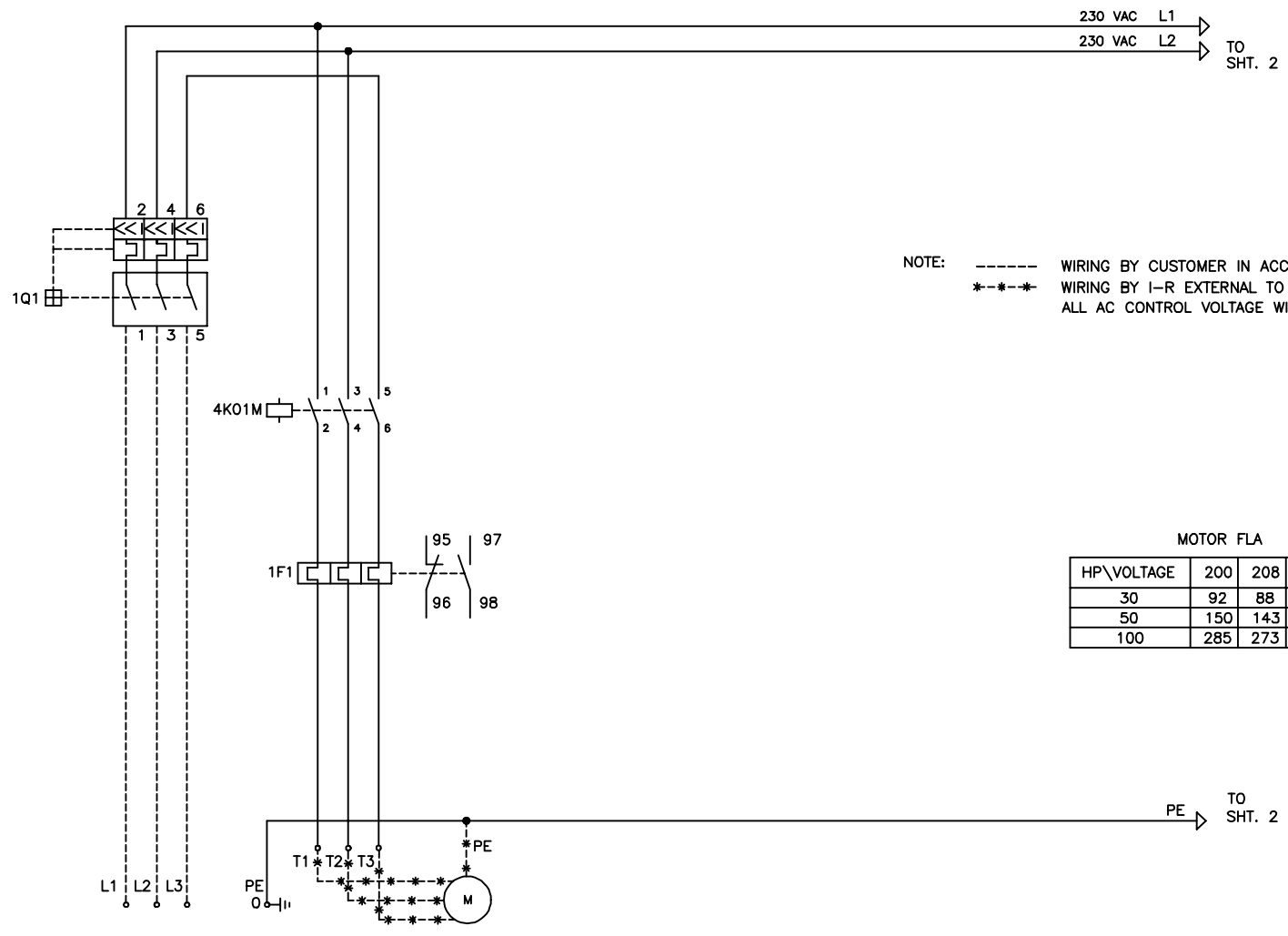
----- WIRING BY CUSTOMER IN ACCORDANCE WITH LOCAL REGULATIONS

\*-\*-\*- WIRING BY I-R EXTERNAL TO PANEL

ALL AC CONTROL VOLTAGE WIRES MUST BE RED IN COLOR

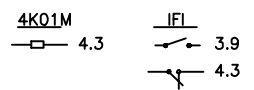
Copyright © 2001 Ingersoll-Rand Company All Rights Reserved	PROPRIETARY NOTICE	STANDARD TOLERANCES	GD&T TO ASME Y14.5M 1994	
	<p>UNLESS OTHERWISE NOTED: ALL DIMENSIONS ON COPLANAR CENTRAL LINE UNLESS OTHERWISE SPECIFIED TO 255</p> <p>BREAK SHARP EDGES AND CORNERS .015</p> <p>SURFACE FINISH - ✓</p> <p>STANDARD TOLERANCES: X1 = 0.003 X2 = 0.010 X3 = 0.006 ANGLE = 32°</p>	<p>ALL DIMENSIONS IN INCHES [mm]</p> <p>DRAWN BY S. DINE</p> <p>W.C.L. 9/11/01</p> <p>CHECKED BY S. DINE</p> <p>G.N. 9/11/01</p> <p>DATE APPROVED S. DINE</p> <p>G.P.N. 9/11/01</p>	<p>REV. 001</p> <p>051421200</p>	
<p>WARNING 1</p> <p>The export or re-export of this drawing or a product produced by this drawing is subject to U.S. Export Administration regulations and other applicable governmental restrictions or regulations.</p>	<p>UNLESS OTHERWISE NOTED: ALL DIMENSIONS ON COPLANAR CENTRAL LINE UNLESS OTHERWISE SPECIFIED TO 255</p> <p>BREAK SHARP EDGES AND CORNERS .015</p> <p>SURFACE FINISH - ✓</p> <p>STANDARD TOLERANCES: X1 = 0.003 X2 = 0.010 X3 = 0.006 ANGLE = 32°</p>	<p>ALL DIMENSIONS IN INCHES [mm]</p> <p>DRAWN BY S. DINE</p> <p>W.C.L. 9/11/01</p> <p>CHECKED BY S. DINE</p> <p>G.N. 9/11/01</p> <p>DATE APPROVED S. DINE</p> <p>G.P.N. 9/11/01</p>	<p>REV. 001</p> <p>051421200</p>	<p>FILE</p> <p>ELECT. SCHEMATIC, SL4K, 240V PANEL FULL VOLTAGE START</p> <p>DWG. NO.</p> <p>80070642D</p>

REV. NO.		80070642D	SHEET	
REV. NO.			1	2
NO.	DESCRIPTION	DATE	APPROVED	



MOTOR FLA

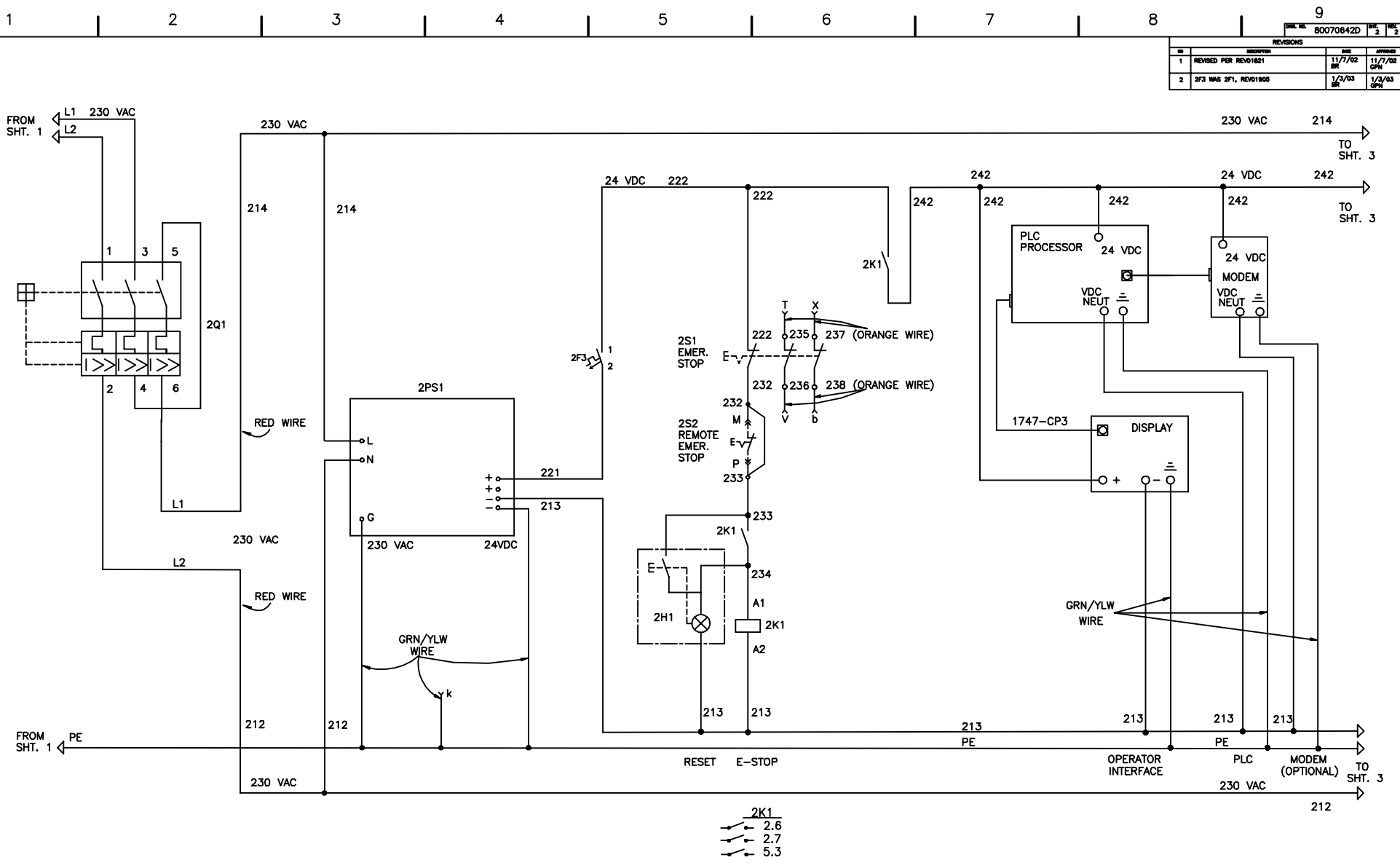
HP\VOLTAGE	200	208	230	400	415	460	575
30	92	88	80	46	44	40	32
50	150	143	130	75	72	65	52
100	285	273	248	143	138	124	99



REF ASSEMBLY

Copyright © 2001 Ingersoll-Rand Company All Rights Reserved  <b>WARNING !</b> The report or receipt of this drawing or a product produced by this drawing is subject to U.S. Export Administration regulations and other applicable governmental restrictions or regulations.	<b>PROPRIETARY NOTICE</b>  This document contains confidential and trade secret information, is the property of Ingersoll-Rand Co., and is given to the receiver in confidence. The receiver by receipt and retention of the document accepts the document in confidence and agrees that, except as authorized in writing by Ingersoll-Rand Co., it will not use the document or any information thereon, (2) not copy the document or any information thereon, (3) not disclose the document or any information thereon, and (4) upon completion of the need to retain the document, or upon demand, return the document, all copies thereof, and all material copied therefrom.	<b>STANDARD TOLERANCES</b>  (UNLESS OTHERWISE NOTED) ALL DIMENSIONS ON COMMON EXPLOSIVE COGNOL TO 2008 BREAK SHARP EDGES AND CORNERS 20° SURFACE FINISH - ✓ STANDARD TOLERANCES XX = ±.005 XXX = ±.015 XXXX = ±.030 ANGLE = ±.2°	<b>GD&amp;T TO ASME Y14.5M 1994</b>  ALL DIMENSIONS IN INCHES (mm) DIM BY DATE W.C.L. 9/11/01 DIMEN BY DATE G.H. 9/11/01 DIM. APPROV. & DATE G.P.N. 9/11/01		TITLE ELECT. SCHEMATIC, SL4K, 240V PANEL FULL VOLTAGE START
					SHEET NO. 80070642D





REV. NO. 80070642D			
REVISIONS			
NO.	DESCRIPTION	DATE	APPROVED
1	REVISED PER REV01821	11/7/02	11/7/02 GPN
2	2F3 WAS 2F1, REV01805	1/3/03	1/3/03 GPN

NOTE: ----- WIRING BY CUSTOMER IN ACCORDANCE WITH LOCAL REGULATIONS.  
 \*---\*---\* WIRING BY I-R EXTERNAL TO PANEL  
 ALL AC CONTROL VOLTAGE WIRES MUST BE RED IN COLOR

Copyright © 2001 Ingersoll-Rand Company All Rights Reserved	PROPRIETARY NOTICE	STANDARD TOLERANCES	GD&T TO ASME Y14.5M 1994	
	This document contains confidential and trade secret information, is the property of Ingersoll-Rand Co., and is given to the recipient in confidence. The recipient is notified of retention of the document except the document is confidential and cannot be used, copied or exhibited in writing or otherwise. If all (1) and use the document or any part thereof or (2) not use the document (3) not disclose the information contained in the document, or (4) upon completion of the need to retain the document, or (5) upon approval, return the document, all copies thereof, and all material copied therefrom.	UNLESS OTHERWISE NOTED: ALL DIMENSIONS ON COMMON CENTERLINE UNLESS OTHERWISE NOTED: BREAK SHARP EDGES AND CORNERS .015 SURFACE FINISH: - .7 LEADLINE TOLERANCES: .XX = ±.003 .XXX = ±.015 .XXXX = ±.005 ANGLE = ±2°	REF. DIM. 05142120D DATE OF A DIM. W.C.L. 9/11/01 DESIGNER'S NAME G.N. 9/11/01 DIM. APPROVER'S NAME G.P.N. 9/11/01	