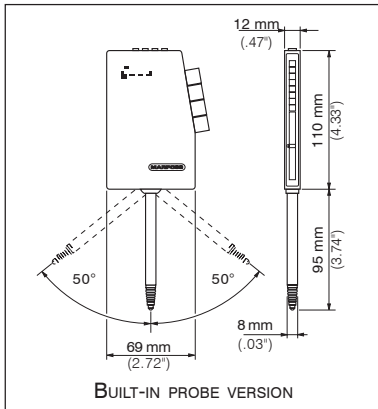


**COMPACT ELECTRONIC DISPLAY UNIT**

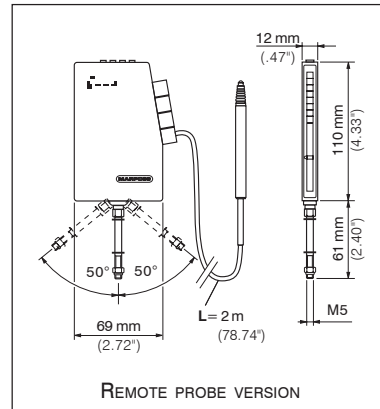
Quick Read™ family is made up of three slim, compact versions, each complete with analog and di-



gital displays, and easily programmed via local keypad.

**UNIQUE CLEAR DISPLAY**

The 3-colour (green, yellow and



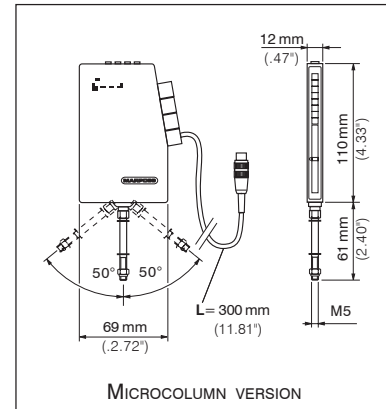
red) analog display and 8-digit alphanumeric display provide clear definition and easy reading of the measurement results.

**PROGRAMMABLE PARAMETERS**

Using the local keypad, the Quick Read™ can be easily programmed to set the digital display resolution, measuring unit, tolerance limits, master deviation, full scale, measurement multiplying coefficient, absolute or comparative reading of the measurement result and the data format for serial transmission.

**SERIAL OUTPUT**

The RS232 output port allows for connection to a PC, statistical printer or data collector for SPC purposes, and to a PLC (data can be sent in ASCII or binary format).



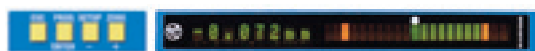
**BUILT-IN PROBE VERSION**

Having the measuring probe directly integrated into the main structure makes it suitable for single, simple implementation and multi-dimensional applications where the measuring locations are close to each other.



**REMOTE PROBE VERSION**

The pencil probe in this version is attached to the main structure by means of a standard 2 m (78.7") cable. This allows location of the display away from the measuring device. In multi-dimensional applications, all the Quick Read displays can be mounted to a standard base structure so that they are located in one common area.



GENERAL SPECIFICATIONS	
POWER SUPPLY	7 - 7,5 Vdc ± 5% (300 mA)
PROTECTION LEVEL (CEI/IEC 529 - DIN VDE 0470-1)	IP50
ACCURACY	± (1% reading value + resolution)
MEASUREMENT THERMAL DRIFT	max 0,25 µm/°C
OUTPUT	RS232
WORKING TEMPERATURE	0 ÷ 50 °C
STORAGE TEMPERATURE	- 40 ÷ 50 °C

DIGITAL DISPLAY	
RESOLUTION	0,0001/0,001 mm (.00001"/.00005")
TYPE	8 alphanumeric digits
MEASUREMENT MULTIPLYING COEFFICIENT	-2 to +2 with 0,01 step

ANALOG DISPLAY	
AVAILABLE SCALES	auto; 0,010 mm (.00050"); 0,020 mm (.00100"); 0,050 mm (.00250"); 0,100 mm (.00500"); 0,250 mm (.01000"); 0,500 mm (.02500"); 1,000 mm (.04000")
RESOLUTION	1/10 of the programmed scale, from 0,001 mm (.00005") to 0,100 mm (.00500")
TYPE	21 three colour LEDs (green, yellow, red)

MEASURING PROBE	
PRESTROKE	1,5 mm (adjustable)
OVERSTROKE	1,5 mm
MEASURING RANGE	± 1 mm (.04")
CLAMPING DIAMETER	8h6 mm or 3/8"
CONTACT	carbide, Ø 3 mm, interchangeable, M 2,5 or 4-48 UNF
MEASURING FORCE	0,75 N ± 25%
REPEATABILITY (2,77 σ)	< 0,25 µm

DESCRIPTION	ORDER CODE
BUILT-IN PROBE VERSION (Probe ø 8 mm)	0E01992106
BUILT-IN PROBE VERSION (Probe ø 3/8")	0E01992103
REMOTE PROBE VERSION (Probe ø 8 mm)	0E01991614
REMOTE PROBE VERSION (Probe ø 3/8")	0E01991615
WRENCH TO ADJUST THE PROBE PRETRAVEL	1320709000

**Note:** One User manual is supplied with each Quick Read.

## MICROCOLUMN VERSION

This version incorporates half-bridge technology (HBT) and allows to connect TESTAR /MARPOSS standard sensors with half-bridge transducer ranging from  $\pm 0,25$  mm (.010") to  $\pm 5$  mm (.200").

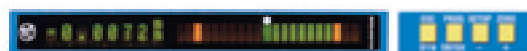
Two versions are available :

- For connection of one sensor to carry out one static measurement .
- For connection of one or two sensors to carry out one static or dynamic measurement [Hold, Max, min, Max-min, (Max- min)/2, (Max+min)/2]. To connect two sensors the specific Y-cable is needed.

### FOR CONNECTION OF ONE SENSOR ONE STATIC MEASUREMENT



### FOR CONNECTION OF ONE OR TWO SENSORS ONE STATIC OR DYNAMIC MEASUREMENT



GENERAL SPECIFICATIONS	
POWER SUPPLY	7 - 7,5 Vdc $\pm$ 5% (300 mA)
PROTECTION LEVEL (CEI/IEC 529 - DIN VDE 0470-1)	IP50
ACCURACY	$\pm$ (1% reading value + resolution)
MEASUREMENT THERMAL DRIFT	0,1 $\mu$ m/ $^{\circ}$ C for range up to $\pm 1$ mm (.04000"); 0,2 $\mu$ m/ $^{\circ}$ C for range $\pm 2,5$ mm (.10000") and $\pm 5$ mm (.20000")
OUTPUT	RS232
WORKING TEMPERATURE	0 $\div$ 50 $^{\circ}$ C
STORAGE TEMPERATURE	- 40 $\div$ 50 $^{\circ}$ C

DIGITAL DISPLAY	
RESOLUTION	0,0001/0,001 mm (.00001"/.00005") for measuring range up to $\pm 1$ mm (.04000"); 0,001 mm (.00005") for range $\pm 2,5$ (.10000") and $\pm 5$ mm (.20000")
TYPE	8 alphanumeric digits
MEASUREMENT MULTIPLYING COEFFICIENT	-2 to +2 with 0,01 step

ANALOG DISPLAY	
AVAILABLE SCALES	auto; 0,010 mm (.00050"); 0,020 mm (.00100"); 0,050 mm (.00250"); 0,100 mm (.00500"); 0,250 mm (.01000"); 0,500 mm (.02500"); 1,000 mm (.05000"); 2,5 mm (.10000"); 5 mm (.25000"); 10 mm (.50000")
RESOLUTION	1/10 of the programmed scale, from 0,001 mm (.00005") to 1,000 mm (.05000")
TYPE	21 three colour LEDs (green, yellow, red)

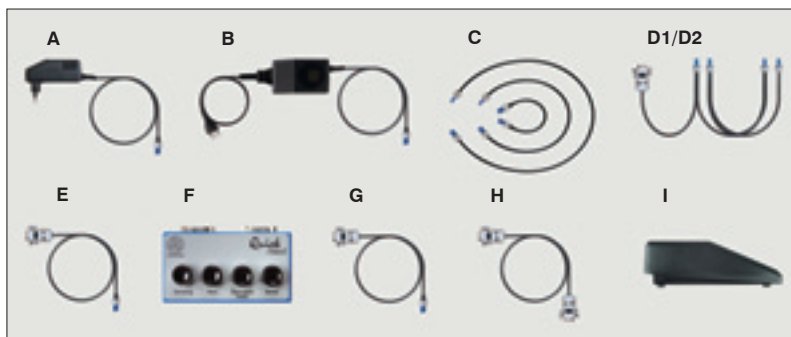
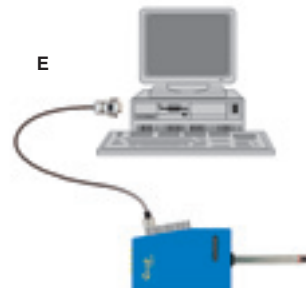
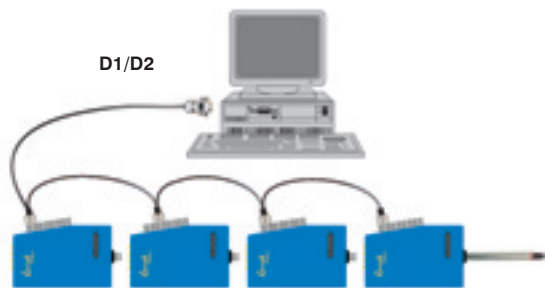
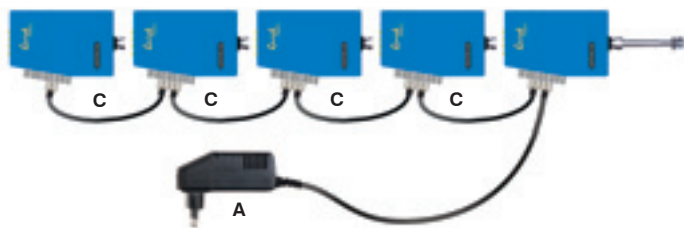
MANAGEABLE TRANSDUCER	
1 or 2 half-bridge (*) with Lumberg SV50/6 connector	

(\*) HBT standard TESTAR/MARPOSS. For third parties transducer compatibility please contact the nearest MARPOSS office.

DESCRIPTION	ORDER CODE
MICROCOLUMN VERSION FOR ONE SENSOR (ONE STATIC MEASUREMENT)	0E01991613
MICROCOLUMN VERSION FOR ONE OR TWO SENSORS (ONE STATIC OR DYNAMIC MEASUREMENT)	0E01991612
Y-CABLE FOR CONNECTION OF TWO SENSORS	6735532001

**NOTE:** One User manual is supplied with each Quick Read.

# ACCESSORIES



REF.	DESCRIPTION	ORDER CODE
A	POWER SUPPLY UNIT FOR MAX. 5 QUICK READ, WITH EU PLUG	6871140067
	POWER SUPPLY UNIT FOR MAX. 5 QUICK READ, WITH U.S.A. PLUG	6871140068
	POWER SUPPLY UNIT FOR MAX. 5 QUICK READ, WITH U.K. PLUG	6871140069
B	POWER SUPPLY UNIT FOR MAX. 5 QUICK READ, WITH EU MAINS CABLE	6871140070
	POWER SUPPLY UNIT FOR MAX. 5 QUICK READ, WITH U.S.A. MAINS CABLE	6871140071
C	POWER JUMPER CABLE L = 150 mm	6739696138
	POWER JUMPER CABLE L = 300 mm	6739696128
	POWER JUMPER CABLE L = 600 mm	6739696129
D1	CHAIN SERIAL CABLE (L = 4 m) FOR CONNECTION OF UP TO 4 QUICK READ TO PUSHBUTTON BOX, FOOTSWITCH OR PC (9 PINS); DISTANCE BETWEEN QUICK READ = 300 mm	6739696299
D2	CHAIN SERIAL CABLE (L = 4 m) FOR CONNECTION OF UP TO 4 QUICK READ TO PUSHBUTTON BOX, FOOTSWITCH OR PC (9 PINS); DISTANCE BETWEEN QUICK READ = 600 mm	6739696300
E	SERIAL CABLE (L = 2 m) FOR CONNECTION OF ONE QUICK READ TO PUSHBUTTON BOX, FOOTSWITCH OR PC (9 PINS)	6739696157
F	PUSHBUTTON BOX FOR REMOTE CONTROL OF ZEROING, DYN. CYCLE AND DATA TRANSMISSION TO PC	6139013100
G	POWER SUPPLY CABLE (L = 2 m) FOR PUSHBUTTON BOX (POWER FEED IS FROM QUICK READ)	6739696301
H	SERIAL CABLE (L = 3 m) TO CONNECT PUSHBUTTON BOX TO PC (9 PINS)	6737957002
I	FOOTSWITCH WITH 1,5 m CABLE FOR CONNECTION TO PUSHBUTTON BOX OR TO QUICK READ (IN THIS CASE CABLE E IS NEEDED)	6738099030
M	STAND FOR REMOTE PROBE OR MICROCOLUMN VERSION (IT HOLDS UP TO 10 UNITS)	2919916500

For a full list of address locations, please consult the Marposs official website

D6Q00204G0 - Edition 09/2007 - Specifications are subject to modifications  
 © Copyright 2007 MARPOSS S.p.A. (Italy) - All rights reserved.

MARPOSS, ® and Marposs product names/signs mentioned or shown herein are registered trademarks or trademarks of Marposs in the United States and other countries. The rights, if any, of third parties on trademarks or registered trademarks mentioned in the present publication are acknowledged to the respective owners.

Marposs has an integrated system to manage the Company quality, the environment and safety, attested by ISO 9001, ISO 14001 and OHSAS 18001 certifications. Marposs has further been qualified EAQF 94 and has obtained the Q1-Award.

