

## NEW TOMBSTONES & PYRAMIDS IN STOCK - 30 DAY GTO

### FULLY MACHINABLE CUSTOMIZABLE 400MM

- HIGHLY VERSATILE
- ECONOMICAL
- SKIM IT, SHAPE IT, DRILL IT, TAP IT
- COMPETITIVE, REPLACEABLE COLUMN/TOWER
- 400 AND 500MM PALLET SYSTEMS
- STARTING UNDER \$2,000!

### MT-4004A



### 3-SIDED INTEGRATED ROCKLOCK TOMBSTONE (96MM MOUNTING)

#### RL52A-T31

- SIZE: Ø 160MM X 167MM
- MATERIAL: ALUMINUM (A)
- ROCKLOCK SPACING: 52MM
- MOUNTING: 96MM, INCLUDES PULL STUDS
- CAN BE MOUNTED ONTO ANY 96MM ROCKLOCK BASE

\$1,999.00



### D115 DOVETAIL MINI TOMBSTONE TOP TOOLING

#### R96-D115T41F

- SIZE: 4.95" X 4.95" X 4.2"
- FIXTURE: 4X D115
- PULL STUDS: 4X PS20F

\$1,739.00



### PYRAMID 3X SELF-CENTERING TOP TOOLING FITS 96MM ROCKLOCK

#### RL52A-P330-V75100X

- PARTS SOLD INDIVIDUALLY:
- RL52A-P330
- 3X R52-V75100X

\$5,668.00



### R96-V75XT4-V75150X

\$8,631.00

\*Vises sold separately



### 4-SIDED ROCKLOCK TOMBSTONE (400MM MOUNTING)

#### RL96A-4004

- 203MM X 230MM X 600MM
- 4 SIDED
- LIGHTWEIGHT, ALUMINUM CONSTRUCTION
- 12 TOTAL POSITIONS, 3 PER SIDE
- STANDARDIZE SETUPS
- HIGH ACCURACY WITH REPEATABILITY OF LESS THAN 0.0003" (8 MICRONS)

\$4,995.00

## X SERIES

More clamping force  
Reduced Jaw Deflection

## ROCKLOCK™

Swap Vises and Fixtures Quickly  
No setup required

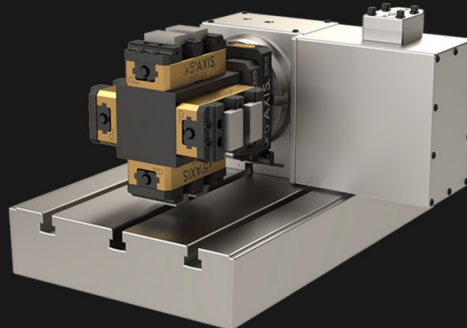
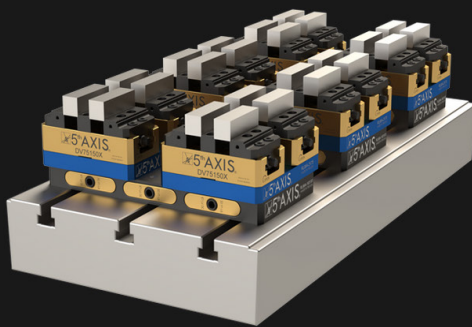


Double Station  
Multiple Parts



# WORKHOLDING EVOLVED.

efficient workholding = more parts = higher profitability

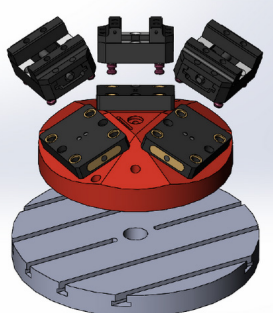


## MULTI-STATION

View and download model options for your machine.

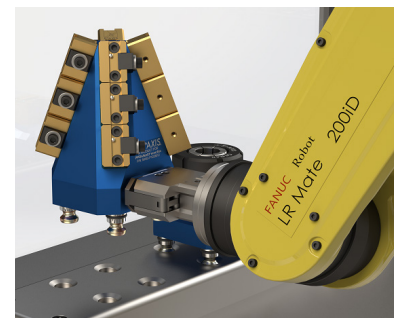
[SEE WHAT FITS YOUR MACHINE >](#)

Visit [fifthaxis.com](http://fifthaxis.com) to access the **online compatibility tool**



## Automation

- ▶ Pneumatic Chucks
  - Air to Open
  - Spring to Close
- ▶ Low Profile Transport Cleat
- ▶ Universal Adaptable Gripper
- ▶ Integrates with 5th Axis Top Tooling and all Risers, Pyramids and Tombstones



More solutions available at [fifthaxis.com](http://fifthaxis.com)