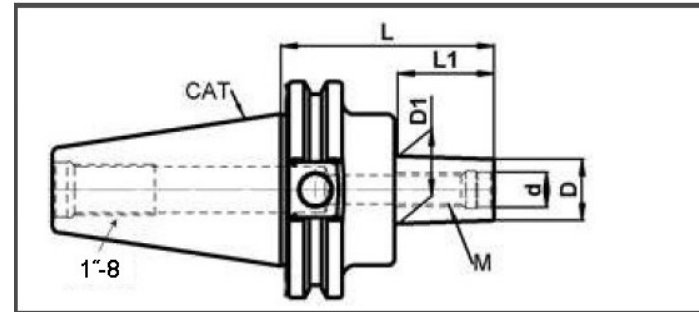




TURN UP THE SAVINGS WITH  
SCREW IN HOLDERS FROM  
PRIME TOOL !!!!!

\*\*PRICING VALID  
UNTIL FEB 29,2024\*\*

# CAT 50 SCREW IN TOOLHOLDERS



## SCREW IN HOLDER

Order #	DIN Form B Order #	Description	M	L	D	D1	d	L1	Promo Price
T00CA50200-08102A	T00CA50200-08102B	CAT50 M08-4"	M08	4.00"	0.51"	0.91"	0.49"	1.97"	\$181.46
T00CA50200-08127A	T00CA50200-08127B	CAT50 M08-5"	M08	5.00"	0.51"	0.91"	0.49"	1.97"	\$191.88
T00CA50200-10102A	T00CA50200-10102B	CAT50 M10-4"	M10	4.00"	0.71"	0.99"	0.49"	1.97"	\$181.46
T00CA50200-12102A	T00CA50200-12102B	CAT50 M12-4"	M12	4.00"	0.83"	0.95"	0.49"	1.97"	\$181.46
T00CA50200-12127A	T00CA50200-12127B	CAT50 M12-5"	M12	5.00"	0.83"	1.38"	0.49"	3.54"	\$191.88
T00CA50200-12152A	T00CA50200-12152B	CAT50 M12-6"	M12	6.00"	0.83"	1.38"	0.49"	3.54"	\$229.06
T00CA50200-12203A	T00CA50200-12203B	CAT50 M12-8"	M12	8.00"	0.83"	1.38"	0.49"	3.54"	\$249.14
T00CA50200-16102A	T00CA50200-16102B	CAT50 M16-4"	M16	4.00"	1.14"	1.34"	0.67"	1.97"	\$181.46
T00CA50200-16127A	T00CA50200-16127B	CAT50 M16-5"	M16	5.00"	1.14"	1.54"	0.67"	3.54"	\$191.88

G = 1"-8 UNC Thread  
For use with ISO standard screw in heads



COMPLETE  
METALWORKING  
SOLUTIONS

(800) 991-4225

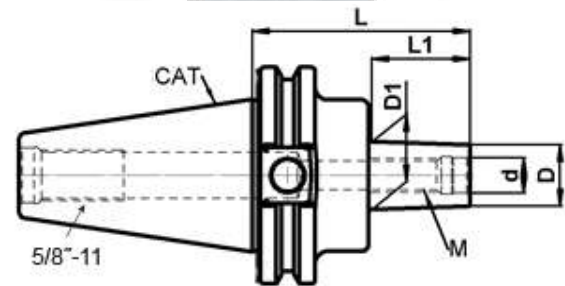
www.ahbinc.com

ISO Certified

customerservice@ahbinc.com



**START THE YEAR OFF  
WITH SAVINGS ON SCREW  
IN HOLDERS!!**



**CAT 40 STANDARD  
TOOL HOLDERS**

**CAT40 SCREW IN HOLDER**

Order #	DIN Form B Order #	Description	M	L	D	D1	d	L1	Promo Price \$
T00CA40200-08087A	T00CA40200-08087B	CA40 M08-3.43"	M08	3.43"	0.51"	0.91"	0.34"	1.97"	\$124.20
T00CA40200-10040A	T00CA40200-10040B	CAT40 M10-1.58"	M10	1.58"	0.71"	0.71"	0.41"	0.2"	\$118.25
T00CA40200-10065A	T00CA40200-10065B	CAT40 M10-2.56"	M10	2.56"	0.71"	0.78"	0.41"	1.37"	\$118.25
T00CA40200-10087A	T00CA40200-10087B	CAT40 M10-3.43"	M10	3.43"	0.71"	0.99"	0.41"	1.97"	\$124.20
T00CA40200-10102A	T00CA40200-10102B	CAT40 M10-4"	M10	4.00"	0.71"	0.99"	0.41"	2.56"	\$133.86
T00CA40200-10152A	T00CA40200-10152B	CAT40 M10-6"	M10	6.00"	0.71"	0.99"	0.41"	1.97"	\$177.00
T00CA40200-12040A	T00CA40200-12040B	CAT40 M12-1.58"	M12	1.58"	0.83"	0.83"	0.49"	0.2"	\$118.25
T00CA40200-12087A	T00CA40200-12087B	CAT40 M12-3.43"	M12	3.43"	0.83"	0.95"	0.49"	1.97"	\$124.20
T00CA40200-16040A	T00CA40200-16040B	CAT40 M16-1.58"	M16	1.58"	1.14"	1.14"	0.67"	0.2"	\$118.25
T00CA40200-16087A	T00CA40200-16087B	CAT40 M16-3.43"	M16	3.43"	1.14"	1.34"	0.67"	1.97"	\$124.20

G = 5/8-11 UNC Thread  
For use with ISO standard screw in heads

PRICING GOOD UNTIL  
FEB 29, 2024.



**IN STOCK  
& READY TO  
SHIP** 