

## NEW 6" Single Station Parlec Vise by TE-CO

**Priced 15-20% less than comparable models, the PWS-6900 has it all.**

Featuring the largest opening in its class of **nine inches** and a **more robust main screw** that can handle higher torque loads and transmit higher clamping pressure. The angled slide and locking jaw design prevents lifting of the moveable jaw.



**LIST PRICE:  
\$485.00**

**9 INCH  
OPENING!**

### Features:

- Up to 8,200 lbs. of clamping force
- Bed height matched to size 2.875" (73.025mm) +/- 0.0005"
- Repeatability within 0.001"
- Hardened vise bed and jaw plates.
- Outside rail edges of the body are machined.
- Sealed bearing system reduces clamping pressure and increases bearing life.
- Stationary jaw has machined keyway for alignment of the vise and includes alignment rail for quick setups.
- Footprint and distance from keyway to stationary jaw same as major competitor.

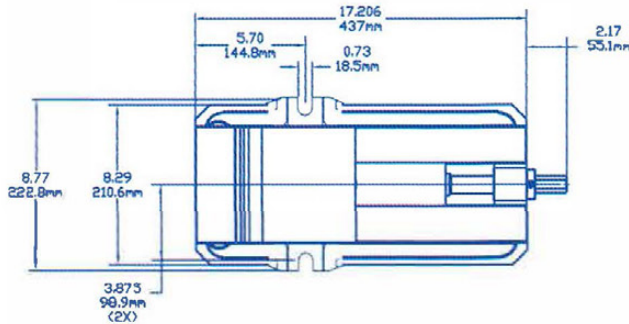
**HIGH QUALITY WITHOUT THE HIGH PRICE!**



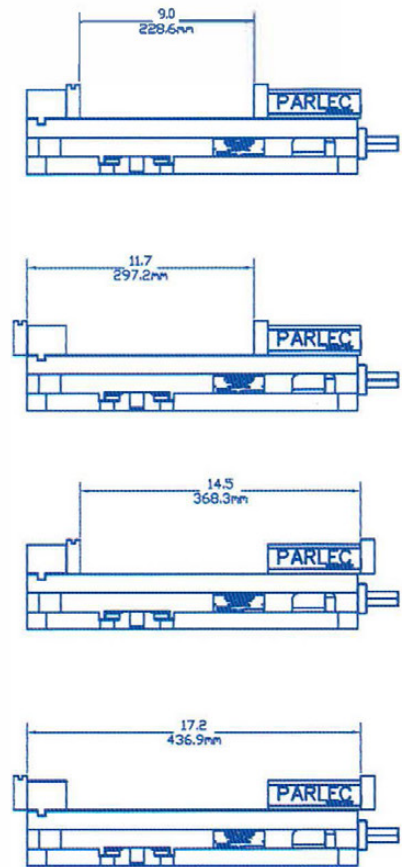
# PWS-6900 6" Single Station Vice

## SPECIFICATIONS

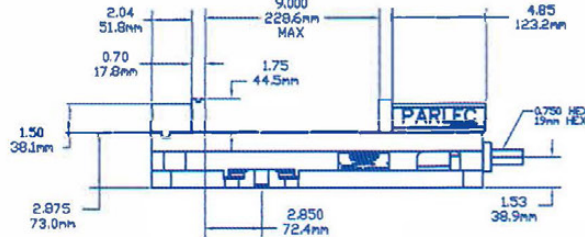
TOP VIEW



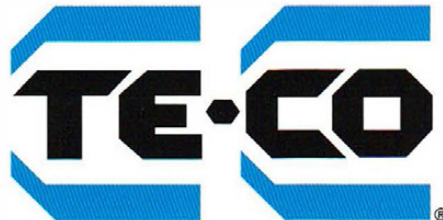
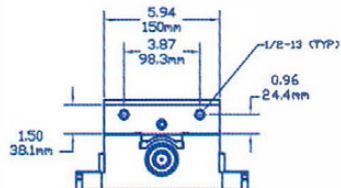
JAW PLATE POSITION



SIDE VIEW



FRONT VIEW



**NEW PWS-8110**  
**8" Single Station Vice**  
**also available!**



LIT0310PWS6900