

Improved Lathe Productivity

With **COMMAND** EWS Group
TOOLING SYSTEMS



CLASS



Quick Change System (Varia)
Tool change in only
20 seconds!
Other Quick Change
Systems available.



Driven Tools
More than 8,000 different
types of driven tools
are available.



Static Tools
VDI and BMT standard
and special
tools including
accessories.



Repairs
E Class and most
other brands
repaired.



Specials
We can create a tool for your
special application requirements.



CLASS



Swiss Tools for Star and Citizen Machines



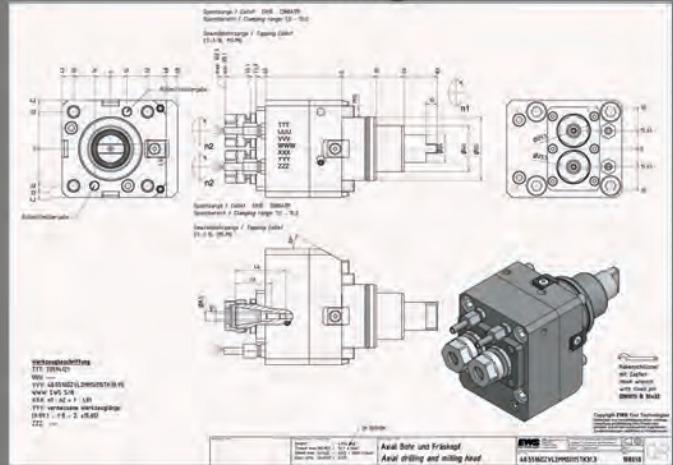
Choose Your Tools With Ease

When You Provide This

- Machine
- Model
- Tool Style (eg. Driven, Static)
- Tool Orientation (eg. Axial, Radial, Offset)
- Sizes (Capacity of Collet or Tool Holder)

You Receive This

Drawing



Quote



For repairs, contact your local Manufacturers Rep or Distributor for a return authorization number.

There is a \$50 inspection fee which is credited when the repair is authorized and completed.

Technical Representation by:



CUSTOMIZED METAL CUTTING SOLUTIONS
www.motorcityim.com

David Houchins
(734) 626-3655
dhouch@motorcityim.com

Jeremy Acord
(313) 952-0054
jacord@motorcityim.com

Available Through Your Local Distributor

AHHB Tooling & Machinery, Inc.
 Complete Metalworking Solutions
 Roseville Saginaw & Jackson, MI
 ISO Certified
 (800) 991-4225
 www.ahbinc.com
 customerservice@ahbinc.com